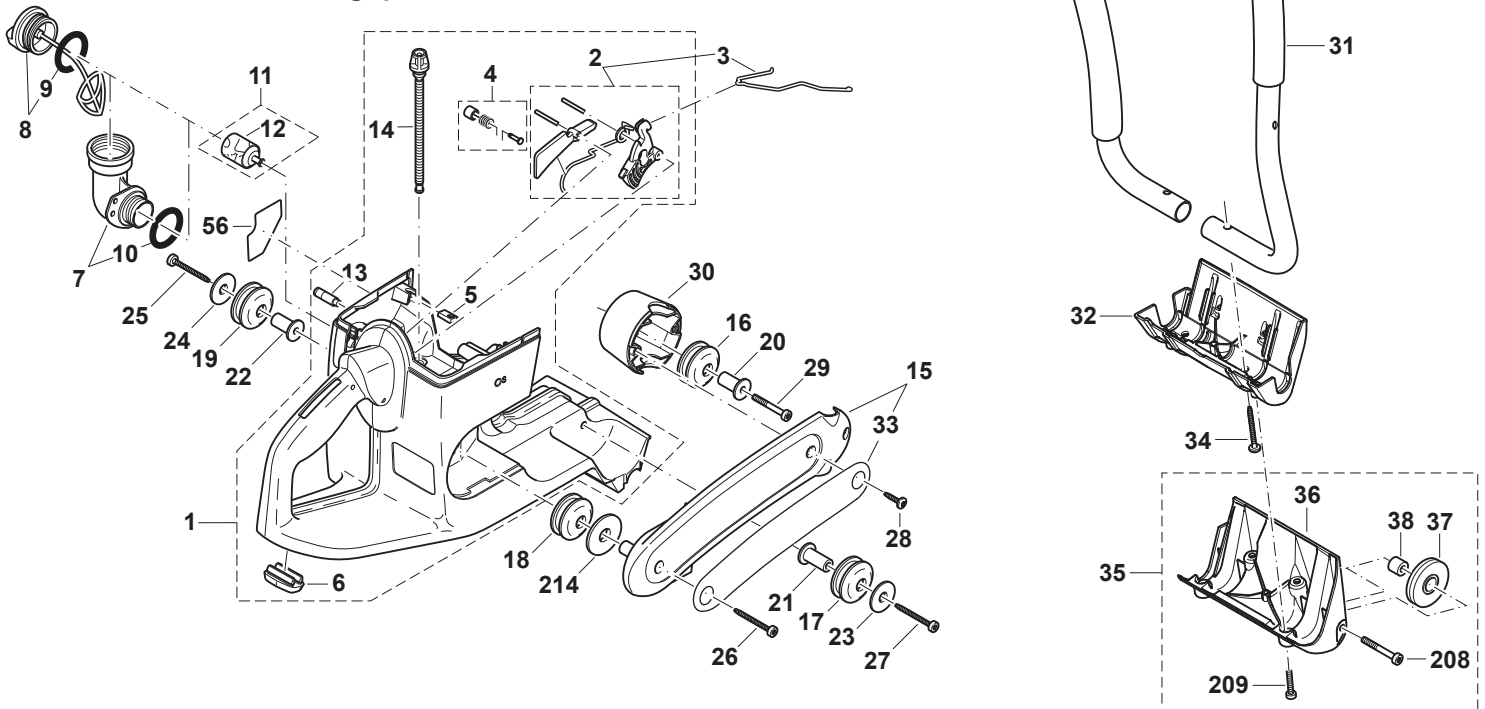
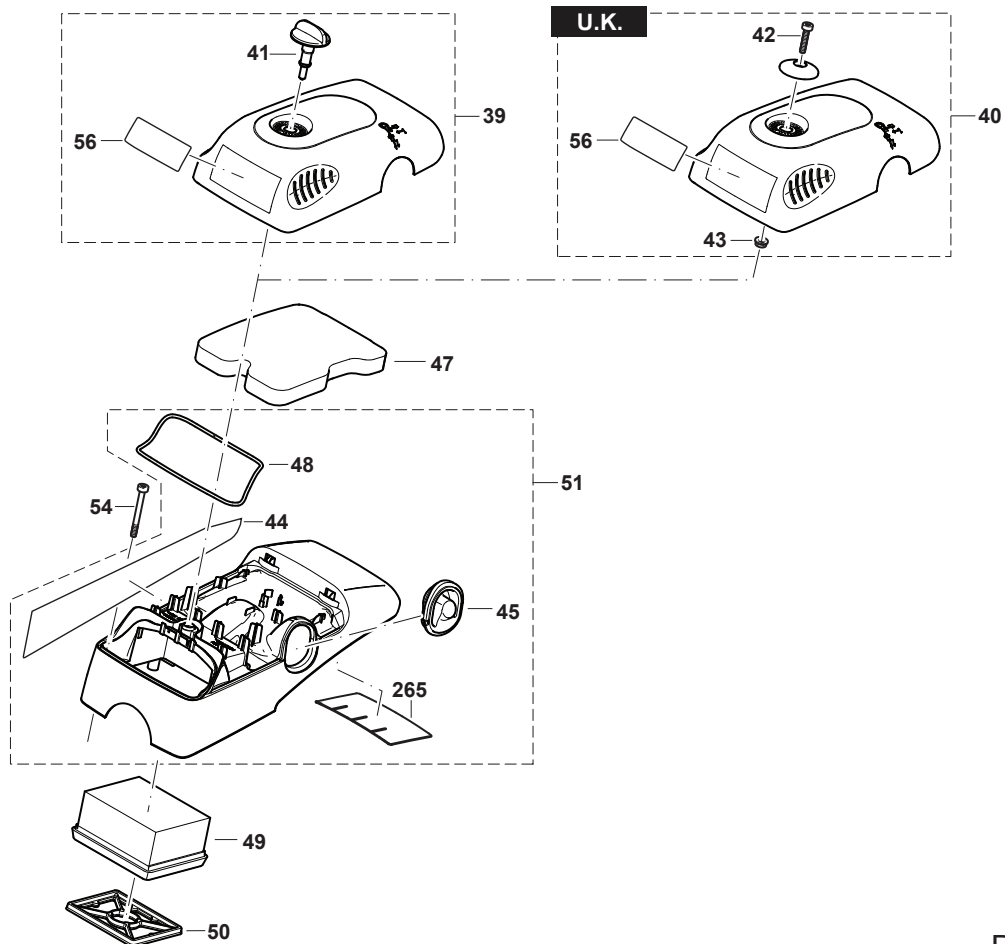


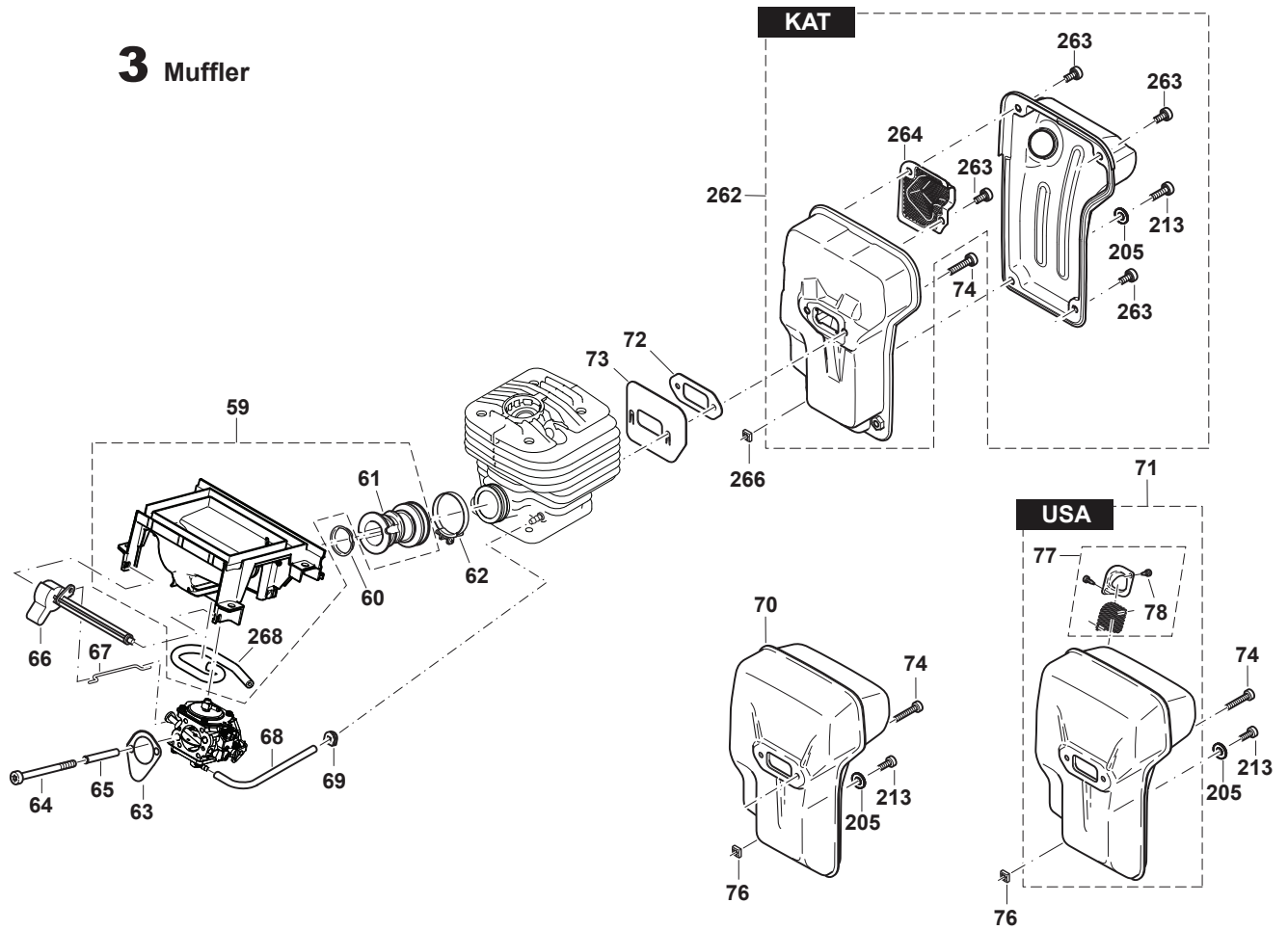
1 Tank and handle grips



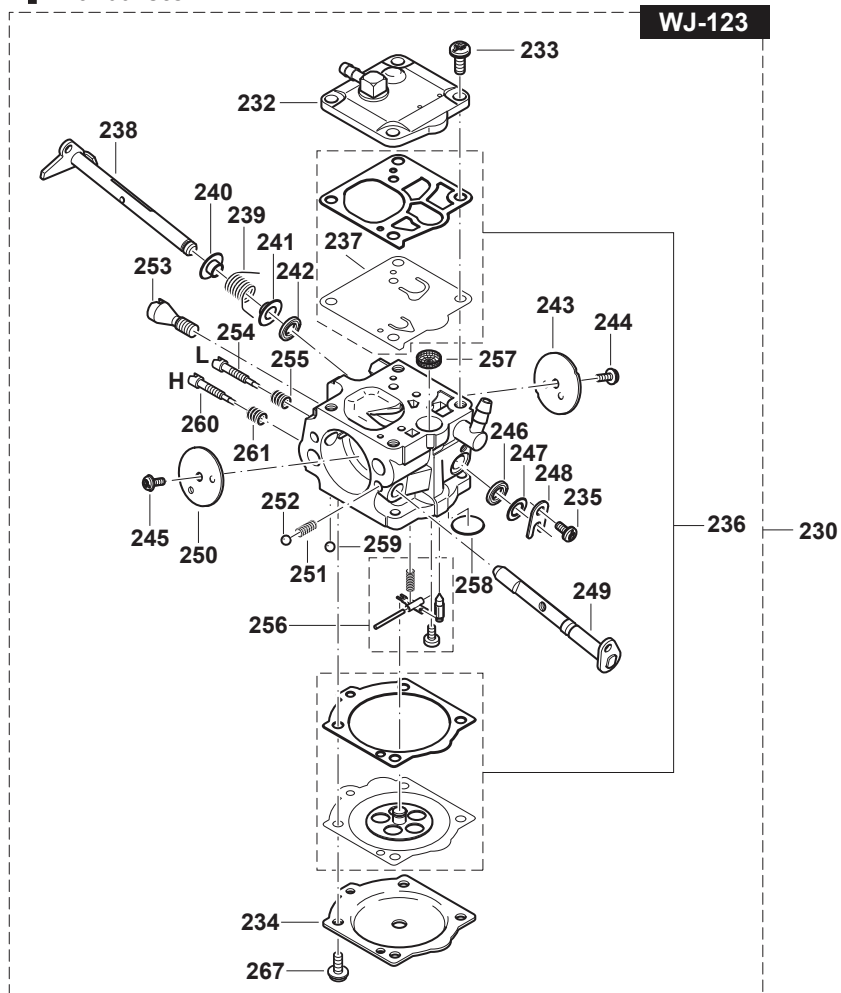
2 Clutch, sprocket guard, muffler



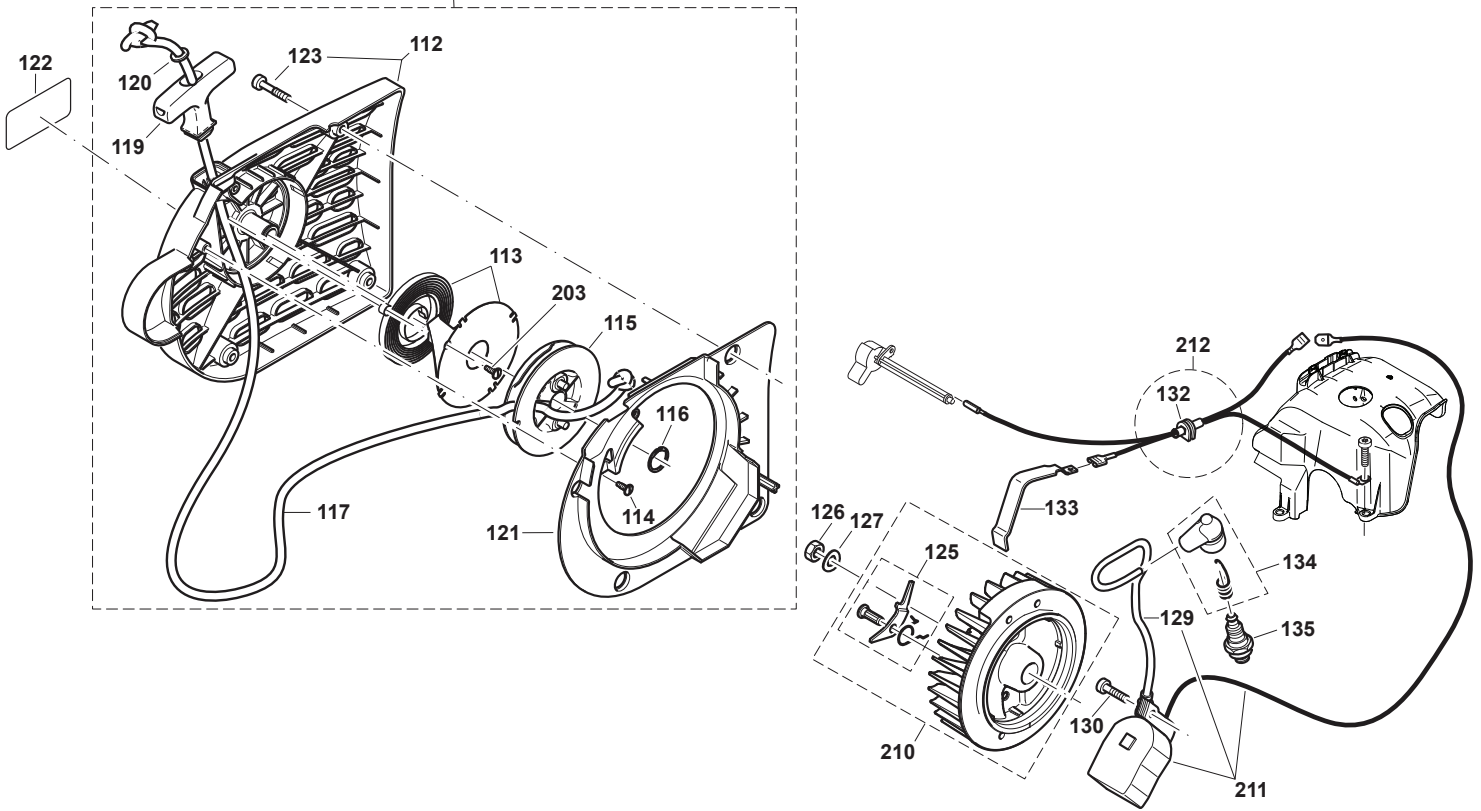
3 Muffler



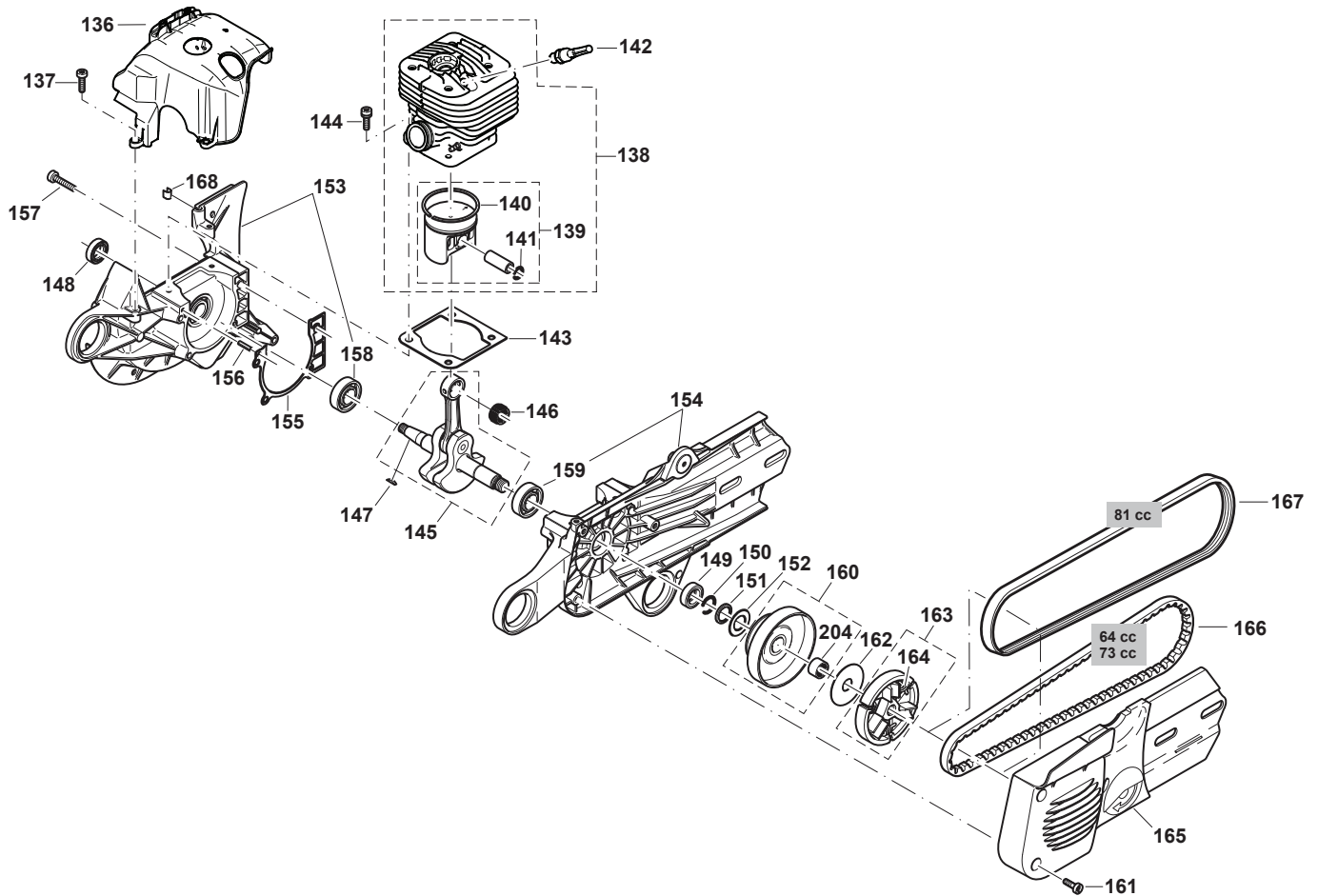
4 Carburetor



5 Starter Assy., ignition Assy. 111



6 Cylinder, crankshaft, clutch



DPC7331/7331HD Parts List

	Pos.	Part No.	Qty	Description	Specification	Note
1	1	394-114-605	1	Tank cpl., blue		
1	2	957-117-020	1	Throttle mechanism, cpl.		
1	3	394-117-011	1	Throttle linkage		
1	4	957-117-030	1	Half-throttle lock, cpl.		
1	5	394-114-100	4	Screw plug		
1	6	394-114-070	1	Rubber foot		
1	7	010-114-081	1	Angular union assy.		
1	8	010-114-091	1	Tank cap cpl.		
1	9	963-230-031	1	O-Ring, red	ø30x3	
1	10	963-230-031	1	O-Ring, red	ø30x3	
1	11	963-601-121	1	Suction head		
1	12	963-601-240	1	Felt		
1	13	010-175-050	1	Air valve cpl.		
1	14	965-404-911	1	Fuel line		
1	15	394-114-661	1	Bracket	MAKITA	
1	16	965-403-535	1	Rubber buffer		
1	17	965-403-535	1	Rubber buffer		
1	18	965-403-535	1	Rubber buffer		
1	19	965-403-535	1	Rubber buffer		
1	20	394-114-280	1	Axle		
1	21	394-114-280	1	Axle		
1	22	394-114-280	1	Axle		
1	23	900-005-078	1	Washer		
1	24	900-005-078	1	Washer		
1	25	913-455-454	1	Screw	5,5x45	
1	26	913-455-454	1	Screw	5,5x45	
1	27	913-455-454	1	Screw	5,5x45	
1	28	913-455-204	2	Screw	5,5x20	
1	29	908-305-405	1	Screw	M5x20x40	
1	30	394-114-050	1	Pot		
1	31	394-310-100	1	Wrap around handle		
1	32	394-114-190	1	Foot		
1	33	980-115-215	1	Label	MAKITA	
1	34	913-455-454	2	Screw	5,5x45	
1	35	394-114-270	1	Foot cpl.		
1	37	394-114-230	2	Roller		
1	38	394-114-240	2	Bushing		
1	56	980-115-099	1	Label	MIX	
1	208	908-006-355	2	Screw	M6x35	
1	209	908-905-165	4	Screw	5x16	
1	214	900-005-076	1	Washer		
2	39	395-118-610	1	cover assy.		
2	41	395-118-010	1	Fixing		
2	44	980-115-486	1	Safety label		
2	45	395-118-050	1	Rubber part		
2	47	395-173-080	1	Prefilter		
2	48	395-118-020	1	Packing ring		
2	49	395-173-010	1	Air filter		
2	50	395-173-020	1	Inner filter		
2	51	395-118-091	1	Hood cpl.	KAT	
2	54	908-605-505	4	Screw	M5x50	
2		980-114-999	1	Label	MIX	
3	59	395-171-070	1	Connecting sleeve cpl.		
3	60	024-131-032	1	Insert for suction hose		
3	61	394-131-101	1	Suction line		

3	62	965-603-050	1	Hose clip	
3	63	965-518-120	1	Gasket	
3	64	908-204-555	2	Screw	M4x55
3	65	970-502-050	m	Tube	37mm; 1 1/2"
3	66	394-150-030	1	Choke shaft	
3	67	394-150-042	1	Choke shaft	
3	68	965-452-380	m	Tube	116mm; 4 1/2"
3	69	965-401-016	1	Rubber bush	
3	71	394-174-152	1	Muffler	USA
3	72	965-531-131	1	Gasket	
3	73	394-174-051	1	Cooling plate	
3	74	908-405-205	2	Screw	M5x20
3	76	038-111-060	1	Square nut	M5, SW10
3	77	394-174-142	1	Spark arrestor screen	
3	78	915-035-120	2	Screw	
3	205	928-405-000	1	Disc	
3	213	908-005-125	1	Screw	M5x12
3	268	395-171-022	1	Tube	l=155mm
4	230	395-151-050	1	Carburetor	WJ-123
4	232	394-151-160	1	Pump cover cpl.	
4	233	144-150-170	4	Screw	
4	234	395-151-120	1	Diaphragm cover	
4	235	378-151-220	1	Screw	
4	236	957-151-180	1	Set diaphragm / gaskets	
4	237	394-151-150	1	Pump diaphragm	
4	238	394-151-300	1	Throttle shaft	
4	239	394-151-310	1	Spring	
4	240	394-151-315	1	Bushing	
4	241	394-151-315	1	Bushing	
4	242	394-151-330	1	Packing ring	
4	243	394-151-320	1	Throttle shutter	
4	244	394-151-650	1	Screw	
4	245	394-151-660	1	Screw	
4	246	394-151-330	1	Packing ring	
4	247	394-151-400	1	Disc	
4	248	108-151-350	1	Shaft clip	
4	249	394-151-250	1	Shaft	
4	250	394-151-260	1	Choke shutter	
4	251	118-151-160	1	Locking spring	
4	252	118-151-170	1	Locking ball	
4	253	394-151-570	1	Idle stop screw	S
4	254	394-151-470	1	Idle adjustment screw	L
4	255	021-151-480	1	Spring	L
4	256	957-151-190	1	Control parts	
4	257	021-151-180	1	Screen	
4	258	394-151-040	1	Cover disc	
4	259	394-151-510	1	Locking ball	
4	260	001-151-450	1	Main adjustm. screw	H
4	261	021-151-480	1	Spring	L
4	267	378-151-220	4	Screw	
5	111	394-112-642	1	Starter assy.	
5	112	394-112-621	1	Housing	
5	113	394-163-020	1	Rewind spring	
5	114	915-135-100	2	Screw	3,5x9,5
5	115	394-162-040	1	Cable drum	
5	116	929-314-100	1	Snap ring	
5	117	394-164-020	1	Starter rope black	ø4 x 1000mm
5	119	001-161-020	1	Starter grip	

5	120	928-405-000	1	Disc	
5	121	394-112-141	1	Air guide plate	
5	122	980-115-214	1	Label	MAKITA
5	123	908-605-205	4	Screw	M5x20
5	125	031-166-010	2	Starter ratchet cpl.	
5	126	920-208-024	1	Hexagonal nut	M8x1
5	127	926-208-001	1	Spring washer	B8 DIN137
5	129	970-310-200	m	Ignition cable	360mm; 141/8"
5	130	908-605-205	2	Screw	M5x20
5	132	965-401-016	1	Rubber bush	
5	133	394-146-013	1	Contact spring	
5	134	957-604-260	1	Spark plug cap cpl.	
5	135	965-603-021	1	Spark plug	
5	203	915-135-100	1	Screw	3,5x9,5
5	210	394-141-090	1	Flywheel assy.	
5	211	394-143-030	1	Ignition coil	
5	212	965-605-510	1	Cable with plug	
6	136	395-131-040	1	Hood	
6	137	908-605-145	3	Screw	M5x14
6	138	394-130-140	1	Cylinder / piston, cpl.	ø 50 HeadDeco
6	139	394-132-112	1	Piston cpl.	ø 50
6	140	394-132-020	1	Piston ring	ø 50
6	141	119-132-060	2	Spring ring	C12X1
6	142	395-118-070	1	Valve	HeadDeco
6	143	965-531-160	1	Gasket, metal	
6	144	908-805-235	4	Screw	M5x23
6	145	394-120-011	1	Crankshaft cpl.	
6	146	962-210-015	1	Needle cage	
6	147	939-630-370	1	Key	
6	148	962-900-052	1	Radial ring	ø15/24x7
6	149	962-900-052	1	Radial ring	ø15/24x7
6	150	930-916-160	1	Spring ring	
6	151	394-245-010	1	Stop ring	
6	152	394-182-020	1	Guide disc	
6	153	326-111-731	1	Crankc., mag. side	incl. page 3: pos. 76,205,213
6	154	326-111-740	1	Crankc., clutch side	
6	155	965-531-111	1	Gasket	
6	156	936-430-160	2	Clamping pin	3X16
6	157	908-005-305	5	Screw	M5x30
6	158	960-102-159	1	Ball bearing (use glue)	6202
6	159	960-102-159	1	Ball bearing (use glue)	6202
6	160	394-223-024	1	Clutch drum cpl.	
6	161	908-605-145	3	Screw	M5x14
6	162	001-182-042	1	Disc	
6	163	010-180-023	1	Clutch assy.	
6	164	024-184-021	3	Spring	
6	165	394-213-671	1	Cover	
6	166	965-300-470	1	V-belt	
6	168	965-402-870	1	Rubber plate	set=35 pcs.
6	204	962-300-017	1	Needle bush	
7	169	394-341-051	1	Hood	ø 350mm; 14"
7	170	957-342-011	1	Mounting, cpl.	
7	171	394-342-180	1	Sliding disc	
7	172	394-342-180	1	Sliding disc	
7	173	965-404-900	1	Rubber ring ext.	
7	174	965-404-920	1	Rubber ring int.	
7	175	394-342-160	1	Impact plate	
7	176	394-342-211	1	Pressure ring cpl.	

7	177	394-211-740	1	Cutting device assy.		
7	178	394-342-190	1	Bolt cpl.		
7	179	394-211-091	2	Screw		
7	180	394-228-101	1	Axle	ø 20mm	(DPC7331)
7	180	394-228-111	1	Axle	ø 25,4mm; 1"	(DPC7331HD)
7	182	963-209-020	1	Packing ring	9x2	
7	183	960-102-176	1	Ball bearing		
7	184	960-102-176	1	Ball bearing		
7	185	326-228-010	1	Pressure disc	12"-16"	
7	186	326-228-010	1	Pressure disc	12"-16"	
7	187	994-280-250	1	Hexagonal screw	M8x25	
7	188	994-280-250	1	Hexagonal screw	M8x25	
7	189	394-228-021	1	Spacer		
7	190	394-228-021	1	Spacer		
7	193	929-240-180	1	Snap ring		
7	194	929-240-180	1	Snap ring		
7	197	394-213-032	1	Tensioning screw		
7	198	394-342-120	1	Spring		
7	199	921-906-004	1	Square nut	M6	
7	200	923-208-004	2	Hexagonal nut	M8	
7	201	980-114-974	1	Safety label	ø350/20,0mm; ø14"/.787"	(DPC7331)
7	201	980-114-975	1	Safety label	ø350/25,4mm; ø14"/1"	(DPC7331HD)
	202	394-213-021		Metal sheet		
7	206	326-341-300	1	Grip		
7	207	908-605-165	2	Screw	M5x16	
7	218	394-211-190	1	Cover cpl.		
7	219	394-211-626	1	Cover		
7	221	394-221-050	1	Belt pulley		
8	303	941-719-140	1	Universal wrench	SW 13/19	
8	304	940-827-000	1	Angled screw driver	T27	
8	305	944-340-001	1	Screw driver		
8	350	965-210-222	1	Abras. blade, stone	350/25,4mm; 14"	