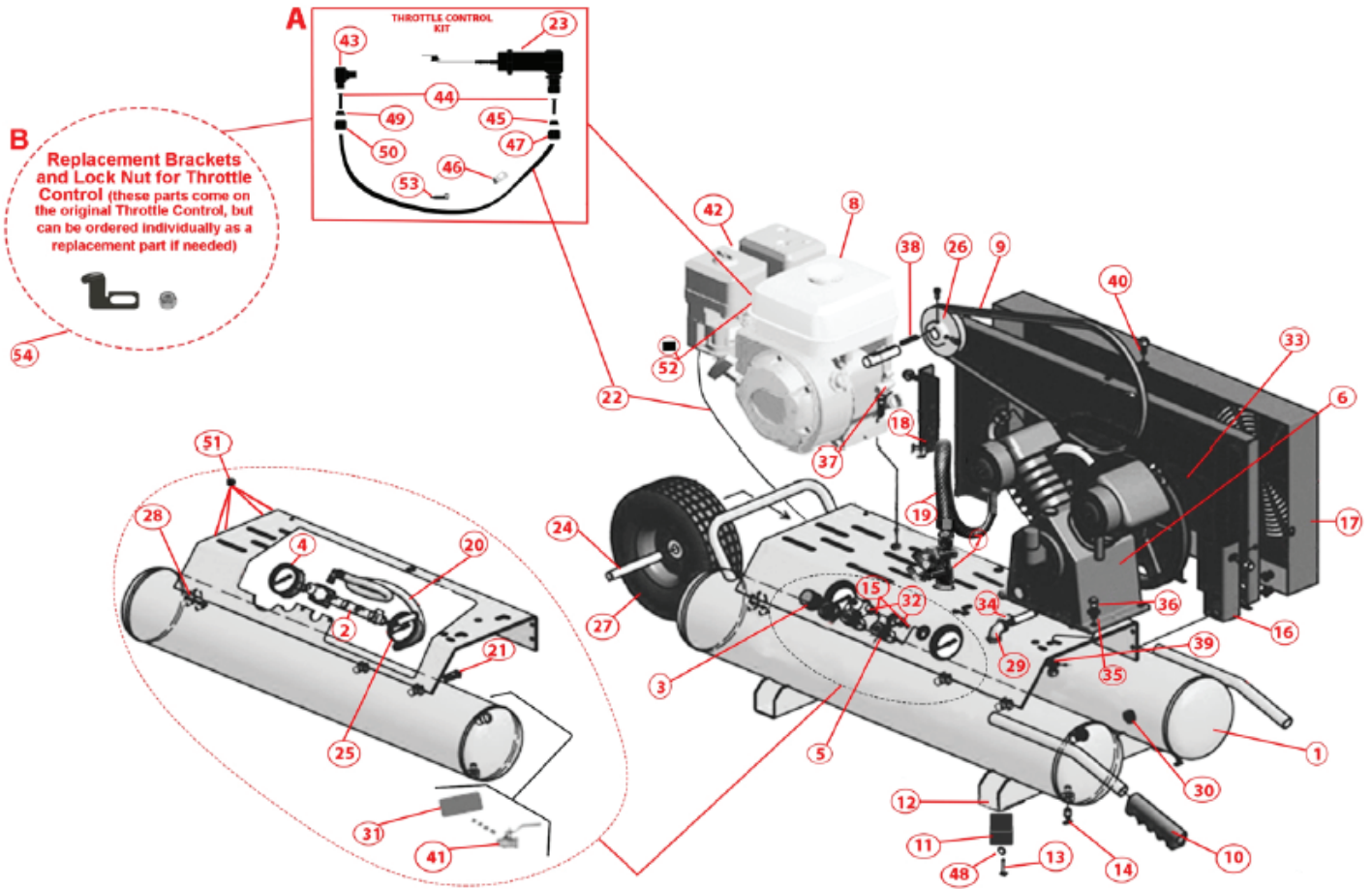




MAC5501G



Products with multiple versions are listed in subsiding order with the newest version on top not indented.

Section	Fig. No.	Part No.	Description	MAC5501G	Tech Bulletin	Notes
1	1	10TT41X5-MHA	10 GALLON TT MAKITA HIGH ANGLE TANK	1		
1	2	10TT-22	MANIFOLD	1		
1	3	50008-93100	MANIFOLD REGULATOR	1		
1	4	10TT-16	MAKITA 2 1/2" PRESSURE GAUGE 1/8" NPT LEFT SIDE	1		
1	5	447013-E	COUPLER FOR MAKITA	2		
1	6	PV02A	2HP SINGLE STAGE AIR END PUMP	1		
1	7	NRP-A-110-130	PILOT UNLOADER	1		
1	8	GX-160UT1QX2-R	HONDA ENGINE	1		
1	9	4L530	V-BELT	1		
1	10	435017	RUBBER HANDLE GRIP	2		
1	11	TT-FOOT-E-TALL	RUBBER VIBRATION FOOT	4		
1	12	1013	1/4" FLANGE NUT	4		
1	13	10TT-26	1/4" X 20 X 1" BOLT FOR RUBBER VIBRATION FOOT	4		
1	14	10TT-21	BACK SEATING DRAIN COCK	2		
1	15	10TT-24	3/16" FLAT WASHER FOR MAKITA	2		
1	16	TT-GUARD-BR	BELT GUARD BRACKET (1 piece of a pair)	1		
1	17	TT-GUARD	BELT GUARD	1		
1	18	TT-GUARD-BR	BELT GUARD BRACKET (1 piece of a pair)	1		
1	19	TU-1/2-24/90/90	1/2" BRAIDED TUBE FOR MAC5501G	1		
1	20	TT-HOSE-B	3/8" TT AIRHOSE BLUE	1		
1	21	PSV1/4X170	RELIEF VALVE 1/4" 170 PSI	1		
1	22	TU1/4BLK	BLACK TUBE 30"	1		
1	23	TCSA-5565-NB	PNEUMATIC THROTTLE CONTROL	1		
1	24	WA1001	ZINC PLATED WHEEL AXLE	1		
1	25	10TT-17	MAKITA 2 1/2" PRESSURE GAUGE 1/4" NPT RIGHT	1		
1	26	MA38X3/4	SHEAVE (PULLEY)	1		
1	27	TT-WHEEL-SQFF12	WHEEL FOAM FILLED 12"	1		
1	28	1020	COTTER PIN	2		
1	29	EL1/4X90ELBOW	1/4" X 90° ELBOW	1		
1	30	PL1/4	1/4" PLUG MALLEABLE IRON - MADE IN USA	1		
1	31	BLOCKALUMN1/2"	1/2" ALUMINUM BLOCK	1		
1	32	10TT-23	MAK-1/4" X 20" THREAD SCREW	2		
1	33	10TT-25	PIPE CLAMP FOR DISCHARGE TUBE	2		
1	34	NI1/4X21/2M	1/4" X 2 1/2" NIPPLE	1		

Products with multiple versions are listed in subsiding order with the newest version on top not indented.

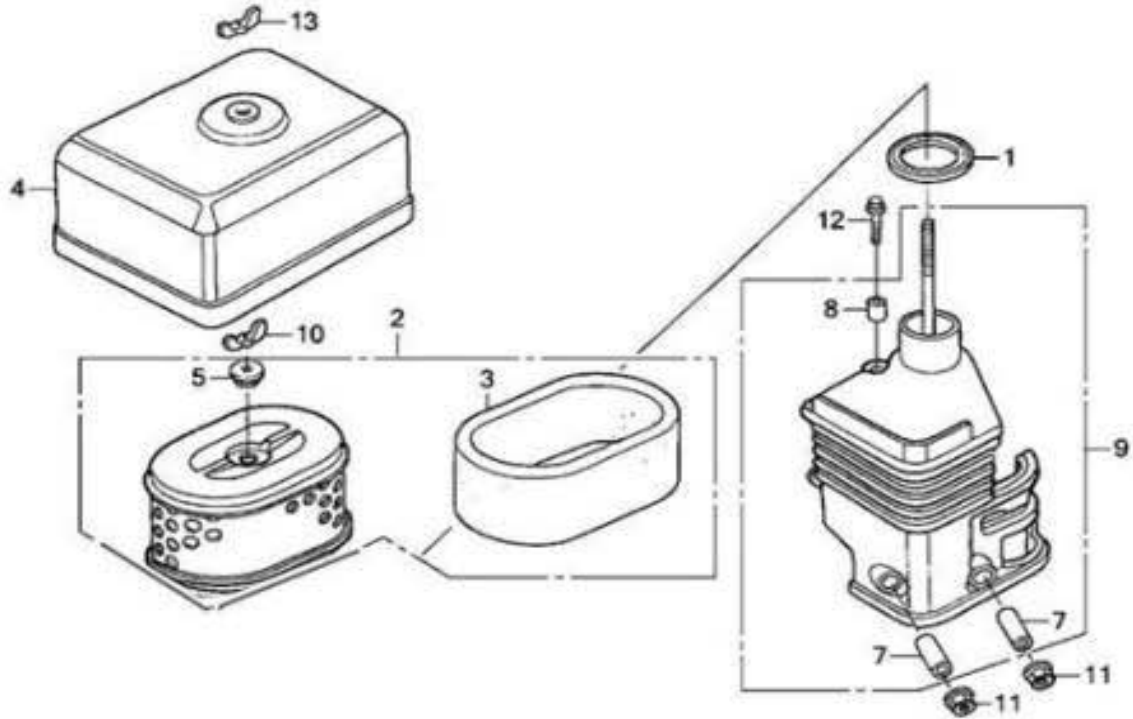
Section	Fig. No.	Part No.	Description	MAC5501G	Tech Bulletin	Notes
1	35	1037	5/16" USS FLAT WASHER	4		
1	36	1090	5/16" - 18 X 1.75 FLANGE BOLT	4		
1	37	1005	5/16" X 1 1/4" G5 HEX BOLT	4		
1	38	3/16X3/16X11/2	WOODRUFF KEY FOR ENGINE	1		
1	39	1016	5/16" FLANGE NUT	8		
1	40	1080	5/16" - 18 X 1/2" FLANGE BOLT	8		
1	41	BV1/2MF	1/2" BALL VALVE	1		
1	42	161871	M5 X 16 FLANGE BOLT	1		
1	43	10TT-12	ELBOW 1/8" X 1/4"	1		
1	44	1125	TUBE INSERT	2		
1	45	1126	1/4" DERLIN COMPRESSION SLEEVE	2		
1	46	708753	CLAMP	1		
1	47	69682	BRASS NUT	2		
1	48	1027	5/16" FLAT WASHER	4		
1	49	10TT-12-1	1/4" BRASS COMPRESSION SLEEVE	1		
1	50	10TT-12-2	BRASS NUT	1		
1	51	1017	5/16 NYLOC NUT	4		
1	52	TG-1.5	3/4" X 1/2" SQUARE LOOP TANK GUARD	1		
1	53	ZT-04	4" ZIP TIE	1		
1	A	MACPNEUMATICKIT	THROTTLE CONTROL KIT	1		INC 22,23, 43-47, 49,50,53
1	B	10TT-34	PNEUMATIC BRACKET W/1/4-20 STEEL LOCKNUT	1		

Products with multiple versions are listed in subsiding order with the newest version on top not indented.

Section	Fig. No.	Part No.	Description	MAC5501G	Tech Bulletin	Notes
2	1	MAIF35	INTAKE FILTER ASSEMBLY	2		
2	2	52122-0101	CYLINDER HEAD	2		
2	3	51121-3102	LIFT LIMITER - DISCHARGE VALVE PLATE	4		
2	4	52122-2101	VALVE SEAT	2		
2	5	52122-2105	VALVE SEAT TO HEAD GASKET	2		
2	6	51121-2103	DISCHARGE VALVE PLATE	4		
2	7	52122-2103	INTAKE VALVE PLATE	2		
2	8	52122-2104	VALVE SEAT TO CYLINDER GASKET	2		
2	9	51122-5101	PISTON	2		
2	10	51122-5112	PISTON PIN C/W SNAP RINGS	2		
2	11	51122-5120	CONNECTING ROD C/W DIPPER	2		
2	12	52122-4101	CYLINDER	2		
2	13	TB-30-38	OIL FILLER CAP	1		
2	13	51111-4719	OIL FILLER CAP	1		
2	14	51122-4103	CYLINDER TO CRANKCASE GASKET	2		
2	15	51111-4770	OIL SIGHT GLASS C/W GASKET	1		
2	16	51122-4701	CRANKCASE	1		
2	17	51122-4601	CRANKSHAFT	1		
2	18	83501-6205	FRONT BEARING	1		
2	19	83501-6205	REAR BEARING	1		
2	20	51122-4704	CRANKCASE TO REAR BEARING HOUSING GASKET	1		
2	21	51122-4703	REAR BEARING HOUSING	1		
2	22	51122-4708	OIL SEAL	1		
2	23	51111-4761	CRANKCASE BREATHER	1		
2	24	51122-6601	FLYWHEEL	1		
2	25	51122-4706	FRONT BEARING HOUSING	1		
2	26	51122-4707	CRANKCASE TO FRONT BEARING HOUSING GASKET	1		
2	27	51122-7710	CONNECTING (INTERSTAGE) TUBING	1		
2			REAR BEARING SNAP RING	1		
2			INTERSTAGE "Y" FITTING	1		
2			INTERSTAGE "ELBOW" FITTING	1		
2			EAGLE OIL (590ML OR 20 OZ)	1		

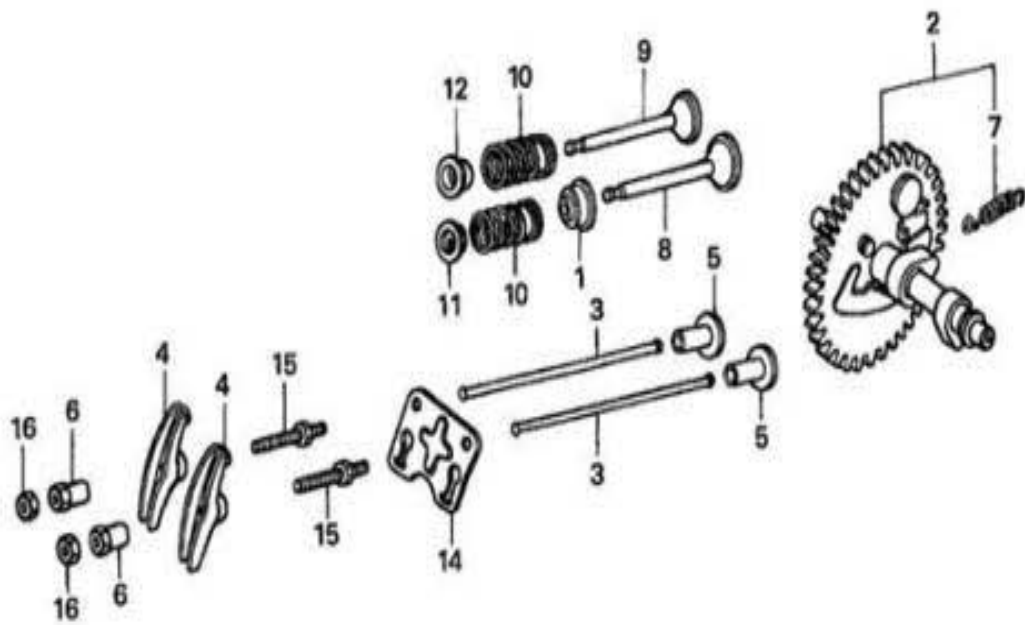
Products with multiple versions are listed in subsiding order with the newest version on top not indented.

Section	Fig. No.	Part No.	Description	MAC5501G	Tech Bulletin	Notes
2	A	MAIF35E-KIT	INTAKE FILTER ELEMENT KIT INCLUDES			
2			· TWO (2) INTAKE FILTER ELEMENTS			
2	B	101000-165	VALVE REPAIR KIT INCLUDES:			
2			· VALVE SEAT TO HEAD GASKET (ITEM 5)			
2			· TWO (2) OUTLET VALVE PLATES (ITEM 6)			
2			· INTAKE VALVE PLATE (ITEM 7)			
2			· SIX (6) VALVE PLATE SCREWS			
2			· VALVE SEAT TO CYLINDER GASKET (ITEM 8)			
2	C	101000-265	RING REPAIR KIT INCLUDES:			
2			· VALVE SEAT TO HEAD GASKET (ITEM 5)			
2			· VALVE SEAT TO CYLINDER GASKET (ITEM 8)			
2			· TWO (2) COMPRESSION RINGS			
2			· ONE (1) OIL CONTROL RING			
2			· CYLINDER TO CRANKCASE GASKET (ITEM 14)			
2	D	52122-2100	VALVE PLATE ASSEMBLY (NOT SHOWN)			Includes: 3,4,6,7
2	E	51122-6602	FLYWHEEL FASTENER KIT			
2	F	51122-4606	WOODRUF KEY FOR PV02A PUMP			



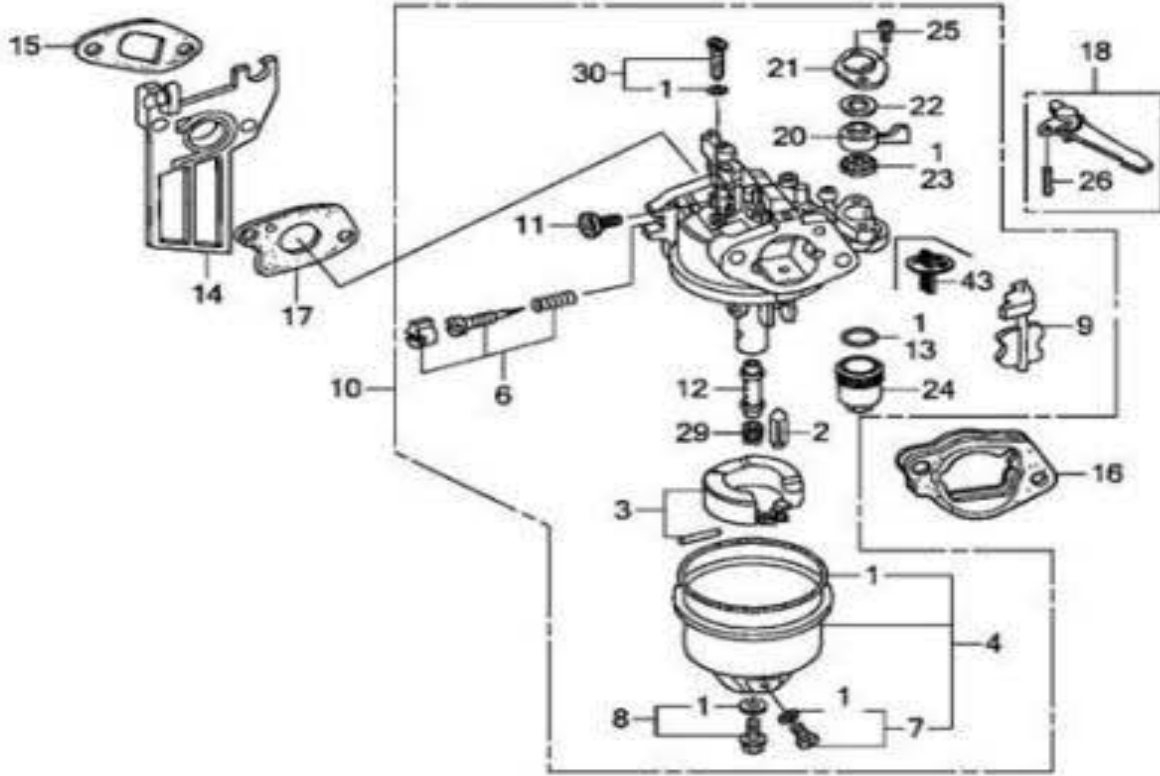
Products with multiple versions are listed in subsiding order with the newest version on top not indented.

Section	Fig. No.	Part No.	Description	MAC5501G	Tech Bulletin	Notes
3	1	16271-ZE1-000	PACKING,ELBOW	1		
3	2	17210-ZE1-517	CLEANER ELEMENT	1		
3	3	17218-ZE1-507	OUTER ELEMENT	1		
3	4	17231-Z4M-010	COVER, AIR CLEANER	1		
3	5	17232-891-000	GROMMET, AIR CLEANER	1		
3	7	17238-ZE7-010	COLLAR, AIR CLEANER	1		
3	8	17239-ZE1-000	COLLAR B, AIR CLEANER	1		
3	9	17410-Z4M-010	ELBOW, AIR CLEANER	2		
3	10	90325-044-000	NUT, TOOL BOX SETTING	1		
3	11	94050-06000	NUT, FLANGE (6MM)	1		
3	12	95701-06020-00	BOLT, FLANGE (6X20)	1		
3	13	90300-ZIV-000	NUT, AIR CLEANER	1		



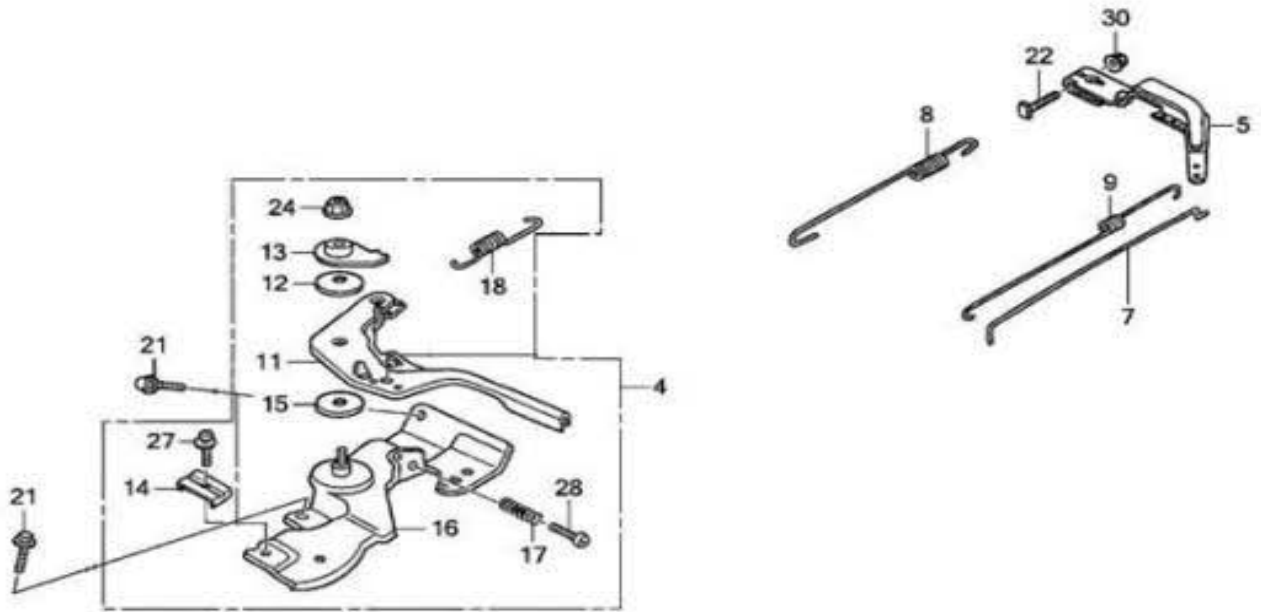
Products with multiple versions are listed in subsiding order with the newest version on top not indented.

Section	Fig. No.	Part No.	Description	MAC5501G	Tech Bulletin	Notes
4	1	12209-Z4M-801	SEAL,VALVE STEM	1		
4	2	14100-Z4M-000	CAMSHAFT ASSY	1		
4	3	14110-Z4M-000	ROD CP,PUSH	2		
4	4	14431-ZE1-000	ARM,VALVE ROCKER	2		
4	5	14441-ZE1-010	VALVE LIFTER	2		
4	6	14451-Z4M-000	PIVOT,ROCKER ARM	2		
4	7	14568-ZE1-000	SPRING,WEIGHT RETURN	1		
4	8	14711-Z4M-000	VALVE,IN	1		
4	9	14721-Z4M-000	VALVE,EX	1		
4	10	14751-ZF1-000	SPRING,VALVE	2		
4	11	14771-Z0T-900	RETAINER,VALVE SPRING	1		
4	12	14771-Z0T-900	RETAINER,VALVE SPRING	1		
4	14	14791-Z4M-000	PLATE,PUSH ROD GUIDE	1		
4	15	90012-ZE0-010	BOLT,PIVOT,8MM/GX160	2		
4	16	90206-ZE1-000	NUT,PIBOT ADJUSTING	2		



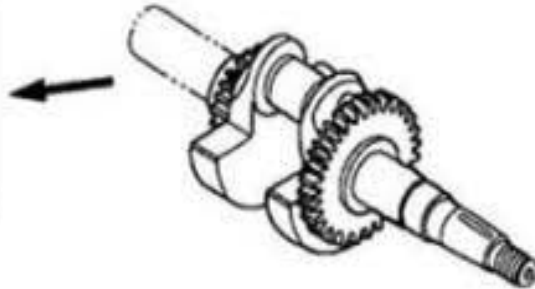
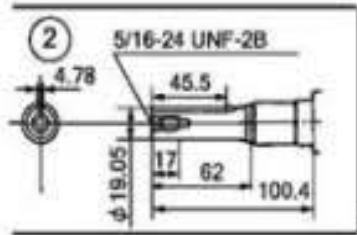
Products with multiple versions are listed in subsiding order with the newest version on top not indented.

Section	Fig. No.	Part No.	Description	MAC5501G	Tech Bulletin	Notes
5	1	16010-ZE1-812	GASKET SET	1		
5	2	16011-ZE0-005	FLOAT VALVE SET	1		Seat Not Included
5	3	16013-Z0S-B01	FLOAT SET	1		
5	4	16015-Z4M-911	CHAMBER SET,FLOAT	1		
5	6	16016-ZH7-W01	SCREW SET,PILOT	1		
5	7	16024-Z5T-901	SCREW SET,DRAIN	1		
5	8	16028-Z5T-901	SCREW SET	1		
5	9	16044-Z4M-911	CHOKE SET	1		
5	10	16100-Z4M-V22	CARBURETOR ASSY	1		
5	11	16124-ZE0-005	SCREW, THROTTLE STOP	1		
5	12	16166-Z4M-V21	NOZZLE,MAIN	1		
5	13	16173-001-004	PACKING,CUP	1		
5	14	16211-Z4M-000	INSULATOR,CARBURETOR	1		
5	15	16212-ZH8-800	PACKING,INSULATOR	1		
5	16	16220-ZE1-020	SPACER COMP.,CARBURETOR	1		
5	17	16221-ZH8-801	PACKING,CARBURETOR	1		
5	18	16610-ZE1-000	CHOKE LEVER COMP.	1		
5	20	16953-ZE1-812	LEVER,COCK	1		
5	21	16954-ZE1-812	PLATE,LEVER SETTING	1		
5	22	16956-ZE1-811	SPRING,COCK LEVER	1		
5	23	16957-ZE1-812	PACKING,FUEL COCK	1		
5	24	16967-ZE0-811	CUP,FUEL STRAINER	1		
5	25	93500-03006-0H	SCREW 3X6	2		
5	26	94305-20122	SPRING PIN 2X12	1		
5	29	99101-ZH80700	MAIN JET #70	1		
5	30	99204-ZE00380	JET SET,PILOT #38	1		
5	43	16959-Z5T-901	FILTER,CUP	1		



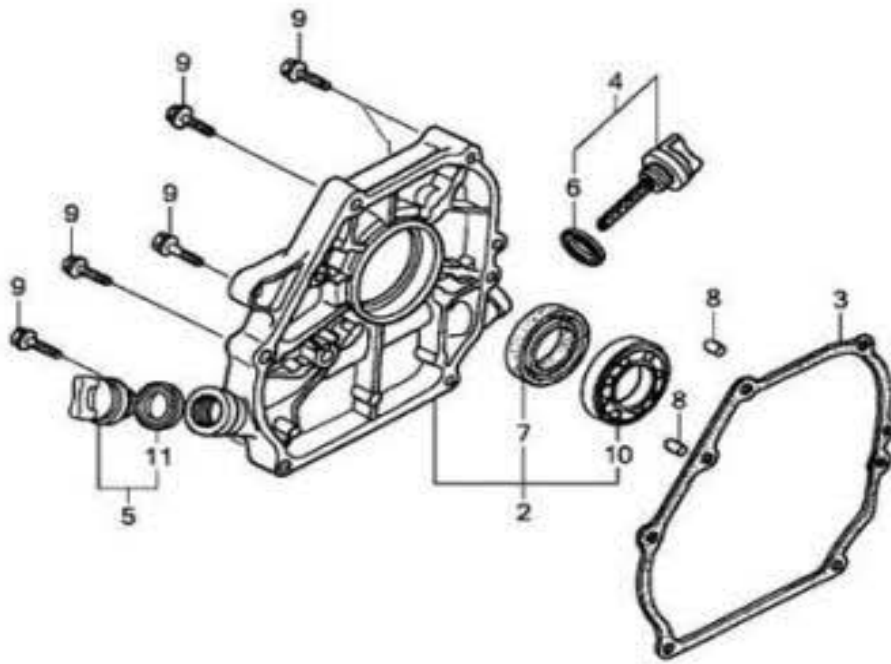
Products with multiple versions are listed in subsiding order with the newest version on top not indented.

Section	Fig. No.	Part No.	Description	MAC5501G	Tech Bulletin	Notes
6	4	16500-Z4M-820	CONTROL ASSY	1		
6	4	16500-Z4M-307	CONTROL ASSY	1		
6	5	16551-Z4M-000	ARM, GOVERNOR	1		
6	7	16555-Z4M-000	ROD, GOVERNOR	1		
6	8	16561-Z4M-010	SPRING GOVERNOR	1		
6	9	16562-Z4M-000	SPRING, THROTTLE RETURN	1		
6	11	16571-Z4M-000	LEVER, CONTROL	1		
6	12	16574-ZE1-000	LEVER SPRING	1		
6	13	16575-ZH8-000	WASHER, CONTROL LEVER	1		
6	14	16576-891-000	HOLDER, CABLE	1		
6	15	16578-ZE1-000	SPACER, CONTROL LEVER	1		
6	16	16580-Z4M-810	BASE COMP, CONTROL	1		
6	17	16584-883-300	ADJUSTING SPRING	1		
6	18	16592-ZE1-810	SPRING, CABLE, RETURN	1		
6	21	90013-883-000	FLANGE BOLT 6X12	2		
6	22	90015-ZE5-010	BOLT, GOVERNOR ARM	1		
6	24	90114-SA0-000	LOCK NUT 6MM	1		
6	27	93500-05016-0A	SCREW 5X16	1		
6	28	93500-05025-0H	SCREW 5X25	1		
6	30	94050-06000	FLANGE NUT 6MM	1		



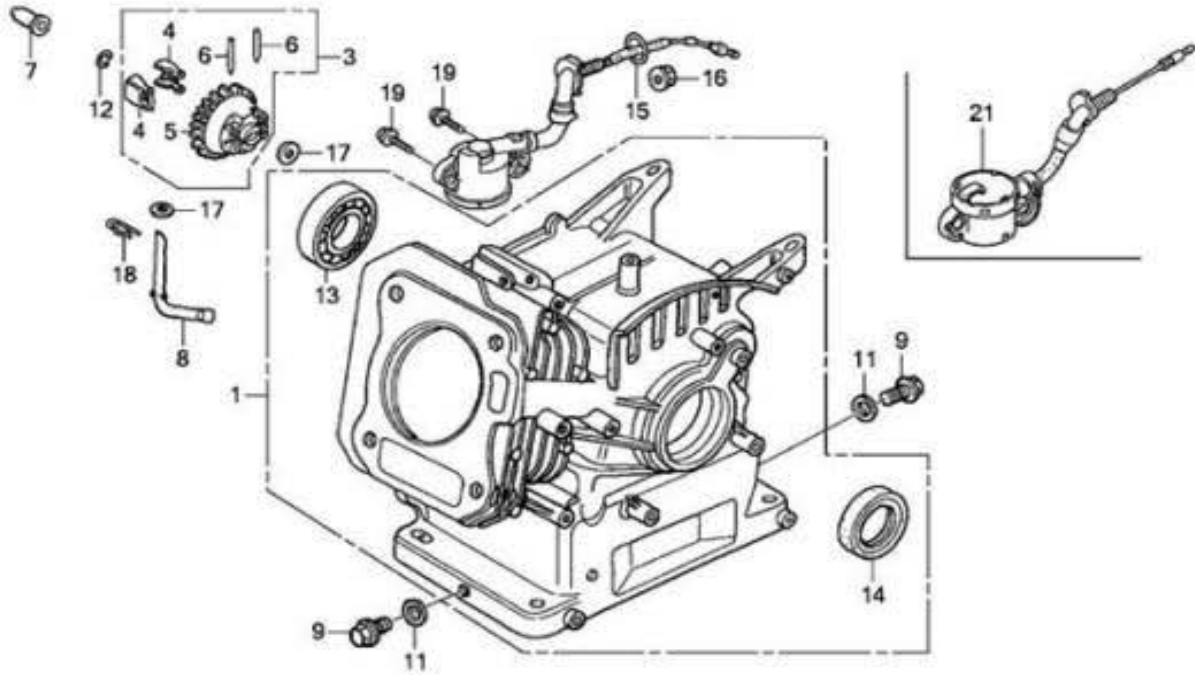
Products with multiple versions are listed in subsiding order with the newest version on top not indented.

Section	Fig. No.	Part No.	Description	MAC5501G	Tech Bulletin	Notes
7	2	13310-Z4M-800	CRANK SHAFT	1		
7	8	90745-ZE1-600	KEY 4.78X4.78X38	1		



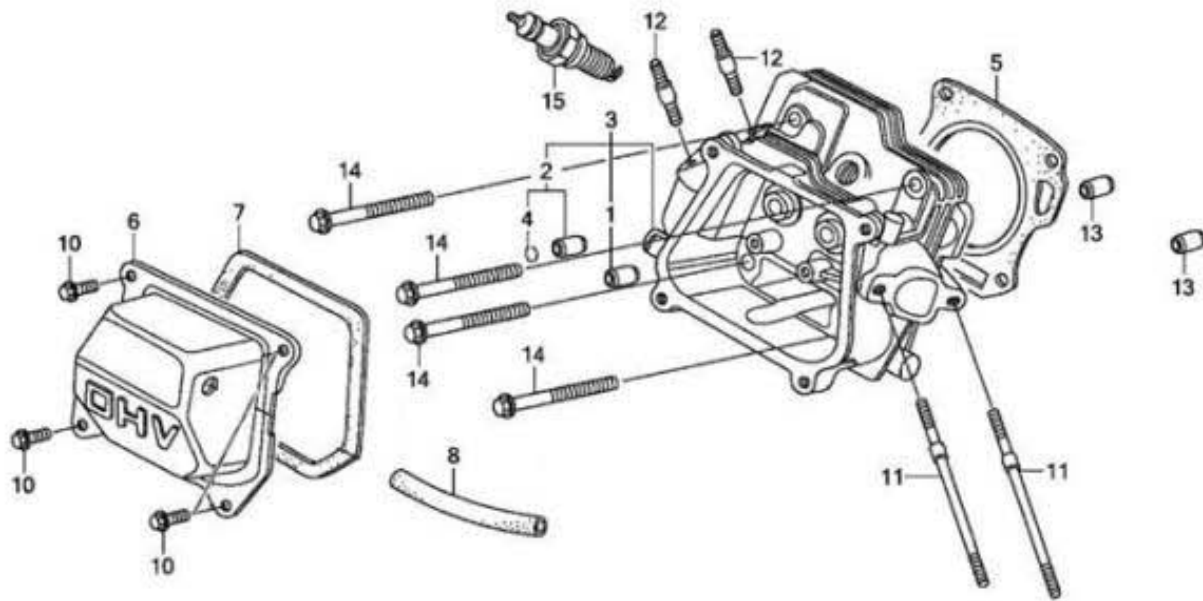
Products with multiple versions are listed in subsiding order with the newest version on top not indented.

Section	Fig. No.	Part No.	Description	MAC5501G	Tech Bulletin	Notes
8	2	11300-ZE1-642	COVER,ASSY CRANKCASE	1		
8	3	11381-ZH8-801	GASKET CRANK CASE	1		
8	4	15600-Z0T-810	CAP ASSY OIL FILLER	1		
8	5	15600-Z0T-820	CAP ASSY OIL FILLER	1		
8	6	15625-Z0T-800	PACKING,OIL FILLER CAP	1		
8	7	91201-Z0T-801	OIL SEAL (25X41X6)	1		
8	8	94301-08140	KNOCK PIN (8X14)	2		
8	9	95701-08032-00	FLANGE BOLT (8X32)	6		
8	10	96100-62050-00	BALL BEARING (6205)	1		
8	11	15625-Z0T-800	PACKING,OIL FILLER CAP	1		



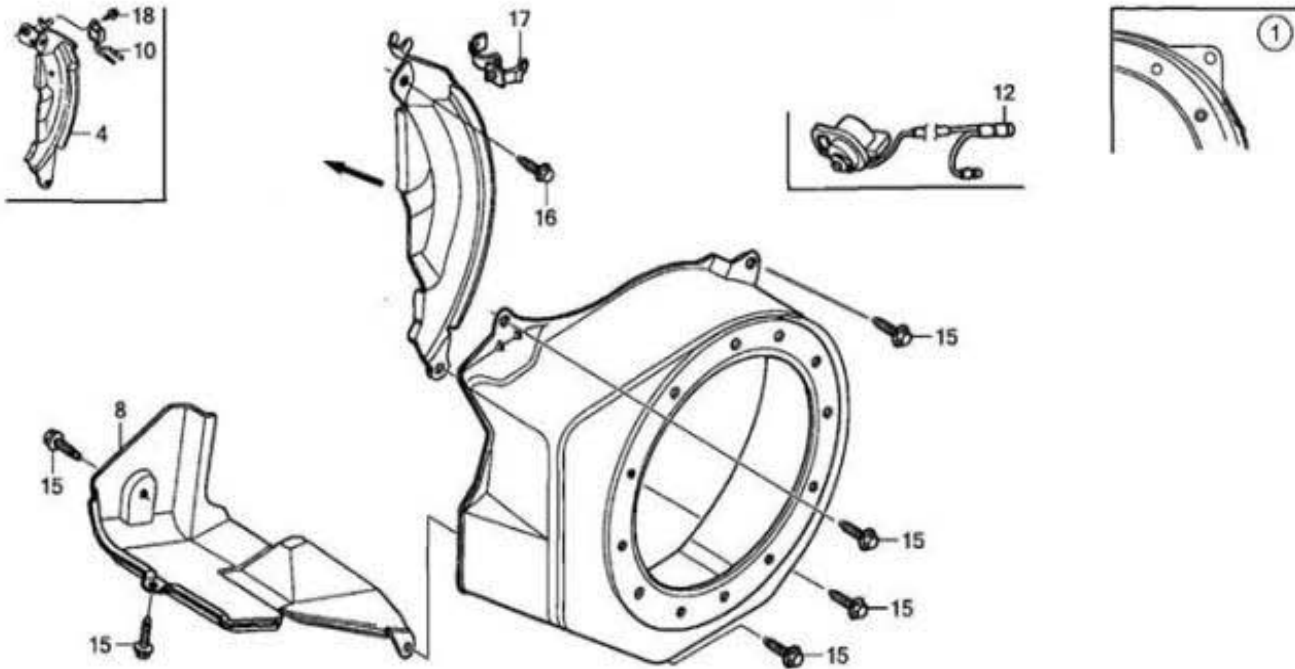
Products with multiple versions are listed in subsiding order with the newest version on top not indented.

Section	Fig. No.	Part No.	Description	MAC5501G	Tech Bulletin	Notes
9	1	12000-Z4M-406	CYLINDER ASSY	1		
9	3	16510-Z4M-000	GOVERNOR ASSY	1		
9	4	16511-Z4M-000	WEIGHT,GOVERNOR	2		
9	5	16512-Z4M-000	HOLDER,GOVERNOR WEIGHT	1		
9	6	16513-ZE1-000	PIN, GOVERNOR WEIGHT	2		
9	7	16531-Z4M-000	SLIDER,GOVERNOR	1		
9	8	16541-Z4M-000	SHAFT,GOVERNOR ARM	1		
9	9	90131-ZE1-000	BOLT, DRAIN PLUG	2		
9	11	90601-ZE1-000	WASHER, DRAIN PLUG	2		
9	12	90602-ZE1-000	CLIP, GOVERNOR HOLDER	1		
9	13	91001-ZF1-003	BALL BEARING (6205)	1		
9	14	91201-Z0T-801	OIL SEAL (25X41X6)	1		
9	15	91353-671-004	O-RING (14MM)	1		
9	16	94050-10000	FLANGE NUT	1		
9	17	94101-06800	PLAIN WASHER (6MM)	2		
9	18	94251-08000	LOCK PIN (8MM)	1		
9	19	95701-06012-00	FLANGE BOLT (6X12)	2		
9	21	35480-Z0T-003	SWITCH ASSY.,OIL LEVEL	1		



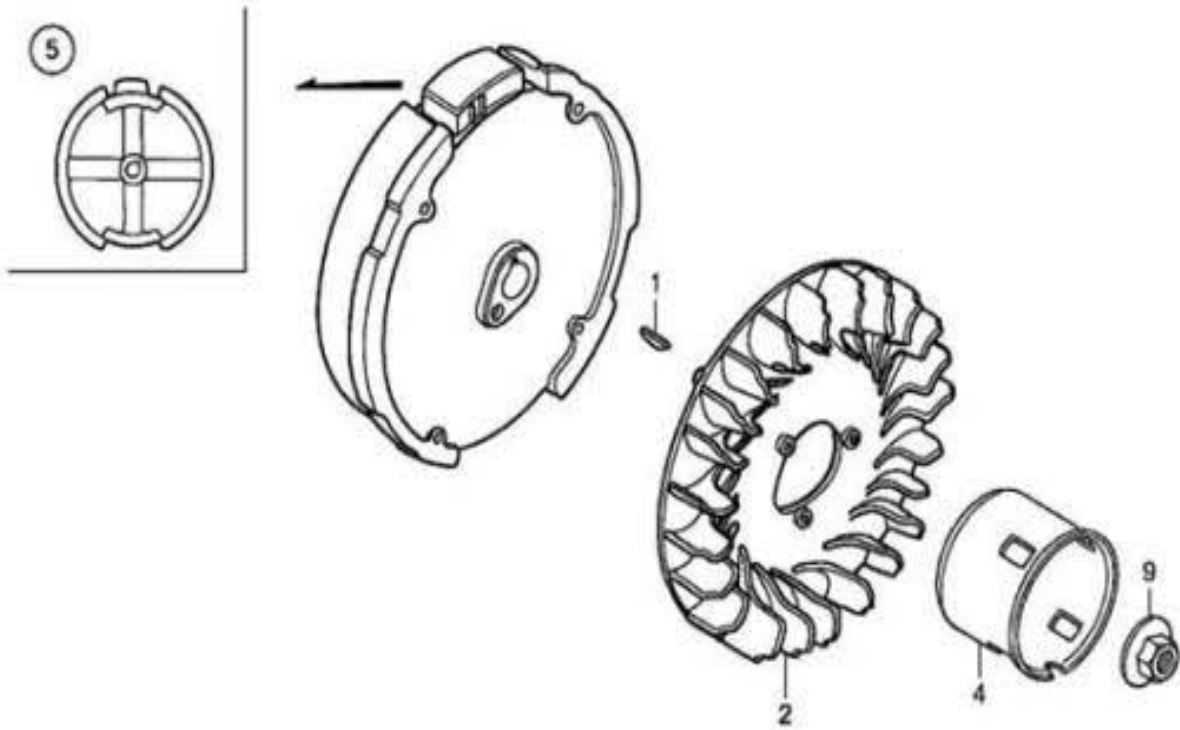
Products with multiple versions are listed in subsiding order with the newest version on top not indented.

Section	Fig. No.	Part No.	Description	MAC5501G	Tech Bulletin	Notes
10	1	12204-ZE1-306	GUIDE,INLET VALVE(O.S.)	1		
10	2	12205-ZE1-315	GUIDE,EXHAUST VALVE(O.S.)	1		
10	3	12210-Z4M-405	CYLINDER HEAD	1		
10	4	12216-ZE5-300	CLIP,VALVE GUIDE	1		
10	5	12251-ZL0-003	GASKET, CYLINDER HEAD	1		
10	6	12310-Z4M-000	COVER ,HEAD	1		
10	7	12391-ZE1-000	PACKING,HEAD COVER	1		
10	8	15721-ZH8-000	TUBE,BREATHER	1		
10	10	90013-883-000	FLANGE BOLT (6X12)	4		
10	11	90043-ZE1-020	STUD BOLT (6X112)	2		
10	12	90047-ZE1-000	STUD BOLT (8X32)	2		
10	13	94301-10160	KNOCK PIN (10X16)	2		
10	14	95701-08060-00	BOLT,FLANGE (8X60)	4		
10	15	065-01404-80	SPARK PLUG	1		



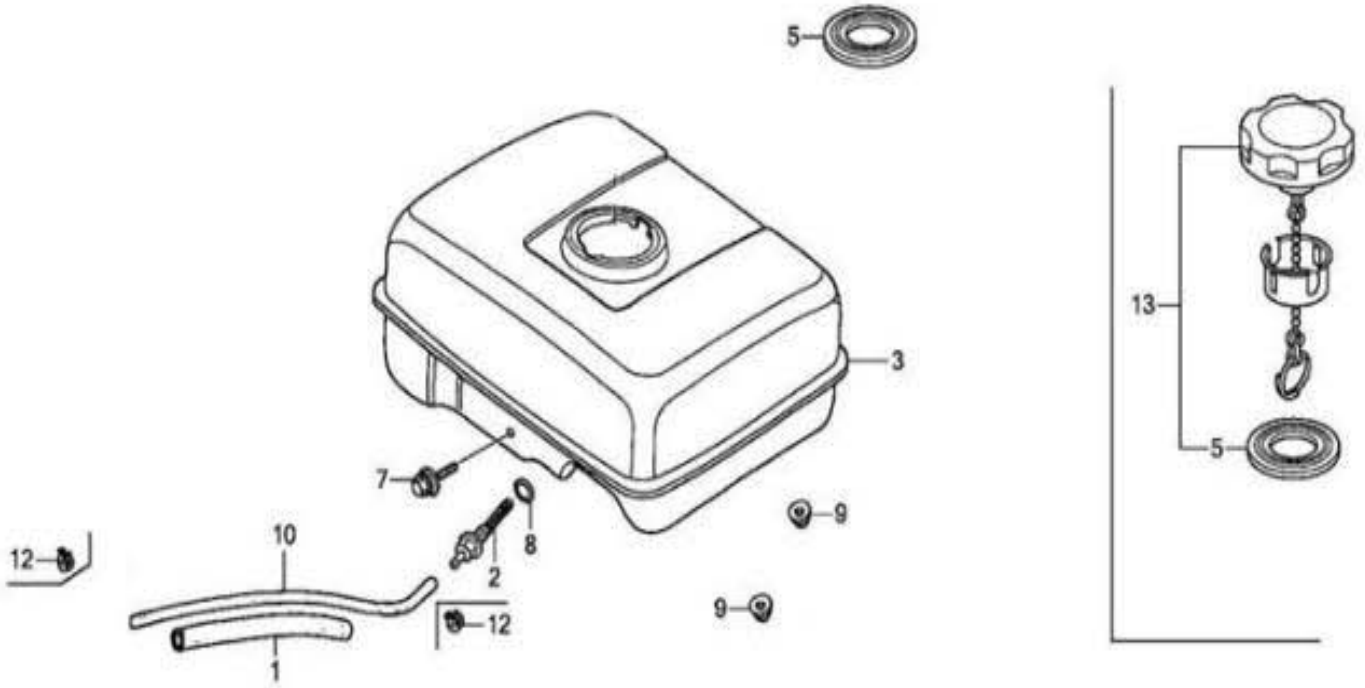
Products with multiple versions are listed in subsiding order with the newest version on top not indented.

Section	Fig. No.	Part No.	Description	MAC5501G	Tech Bulletin	Notes
11	1	19610-Z4M-000ZB	COVER ,FAN	1		
11	4	19611-Z4M-810	PLATE SIDE(OIL ALERT)	1		
11	8	19630-Z4M-000	SHROUD	1		
11	10	34150-ZH7-023	ALERT UNIT,OIL	1		
11	12	35120-Z0T-851	SWITCH ASSY,ENGINE STOP	1		
11	15	90013-883-000	FLANGE BOLT (6X12)	6		
11	16	90022-888-010	FLANGE BOLT (6X20)	1		
11	17	90601-ZH7-013	CLIP, HARNESS	1		
11	18	95701-06008-00	FLANGE BOLT (6X8)	1		



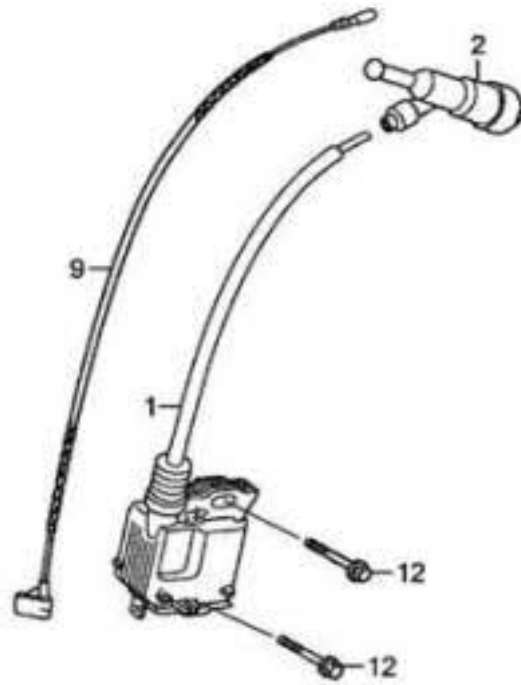
Products with multiple versions are listed in subsiding order with the newest version on top not indented.

Section	Fig. No.	Part No.	Description	MAC5501G	Tech Bulletin	Notes
12	1	13331-357-000	WOODRUFF KEY (25X18)	1		
12	2	19511-ZE1-000	COOLING FAN	1		
12	4	28451-ZH8-801	STARTER PULLEY	1		
12	5	31110-Z4M-000	FLYWHEEL COMP	1		
12	9	90201-Z0T-800	NUT,SPECIAL (14MM)	1		



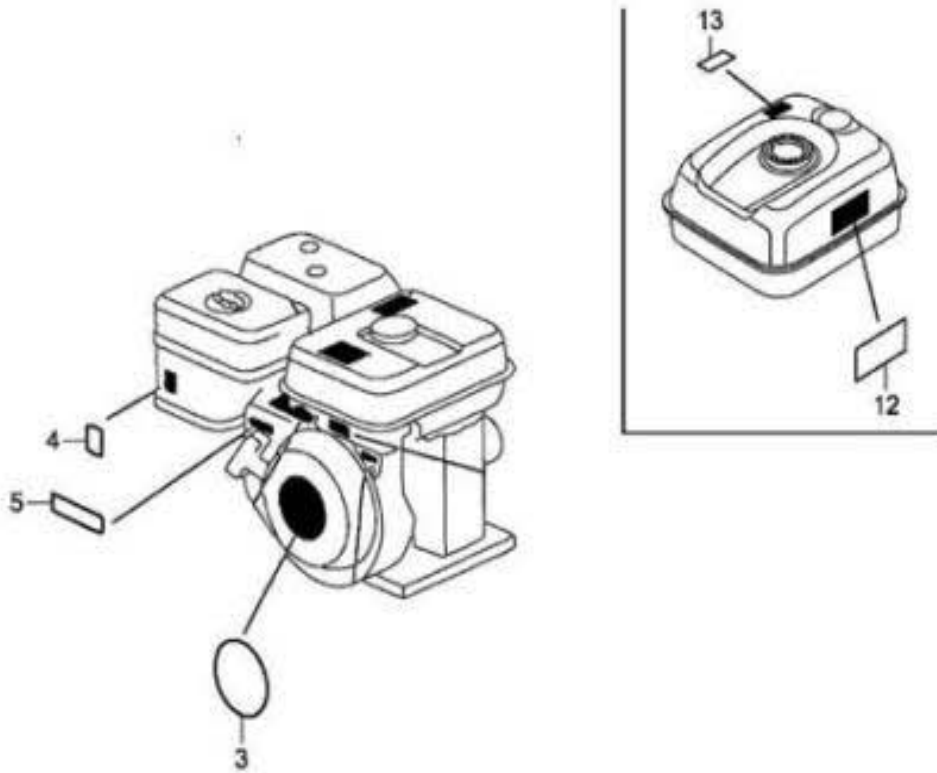
Products with multiple versions are listed in subsiding order with the newest version on top not indented.

Section	Fig. No.	Part No.	Description	MAC5501G	Tech Bulletin	Notes
13	1	16854-ZH8-000	RUBBER,SUPPORT(107MM)	1		
13	2	16955-ZE1-010	JOINT,FUEL TANK	1		
13	5	17631-Z0T-801	GASKET, FUEL FILLER CAP	1		
13	7	90004-ZH7-003	FLANGE BOLT (6X29)	1		
13	8	91353-671-003	O-RING 14MM	1		
13	9	94050-06000	FLANGE NUT (6MM)	2		
13	10	91424-Z4M-003	TUBE,FUEL 4.5X145(FKM)	1		
13	12	95002-40800-08	CLAMP,TUBE(D8)	2		
13	13	17620-Z4H-030	FUEL TANK CAP CP.	1		



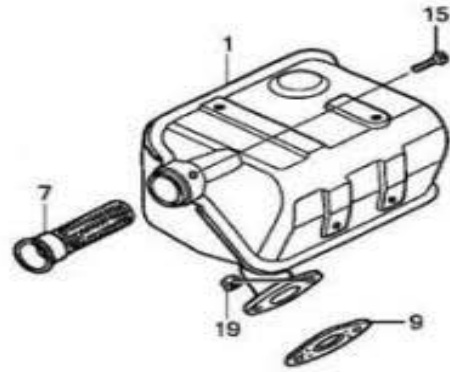
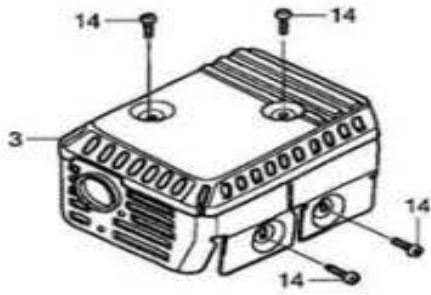
Products with multiple versions are listed in subsiding order with the newest version on top not indented.

Section	Fig. No.	Part No.	Description	MAC5501G	Tech Bulletin	Notes
14	1	30500-Z0T-802	COIL ASSY,IGNITION	1		
14	2	30700-Z0T-821	CAP ASSY,NOISE SUPPRESSOR	1		
14	2	30700-Z0T-811	CAP ASSY,NOISE SUPPRESSOR	1		
14	9	36101-ZE1-010	CORD,STOP SWITCH (370MM)	1		
14	12	90121-952-000	FLANGE BOLT (6X25)	2		



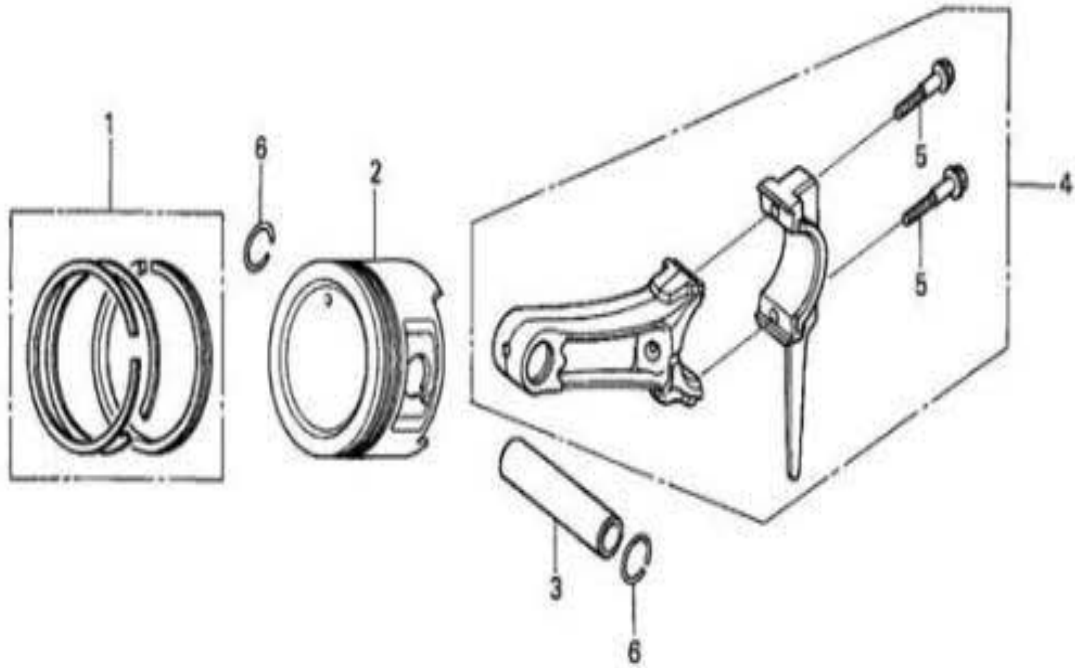
Products with multiple versions are listed in subsiding order with the newest version on top not indented.

Section	Fig. No.	Part No.	Description	MAC5501G	Tech Bulletin	Notes
15	3	87521-Z4M-000	EMBLEM(GX160)	1		
15	4	87528-Z4M-000	MARK,CHOKE	1		
15	5	87532-ZH7-000	MARK, THROTTLE INDICATION	1		
15	12	87516-Z4H-010	MARK,OPERATOR CAUTION (ENGLISH)	1		
15	13	87539-Z4M-000	MARK,EX.CAUTION(ENGLISH)	1		



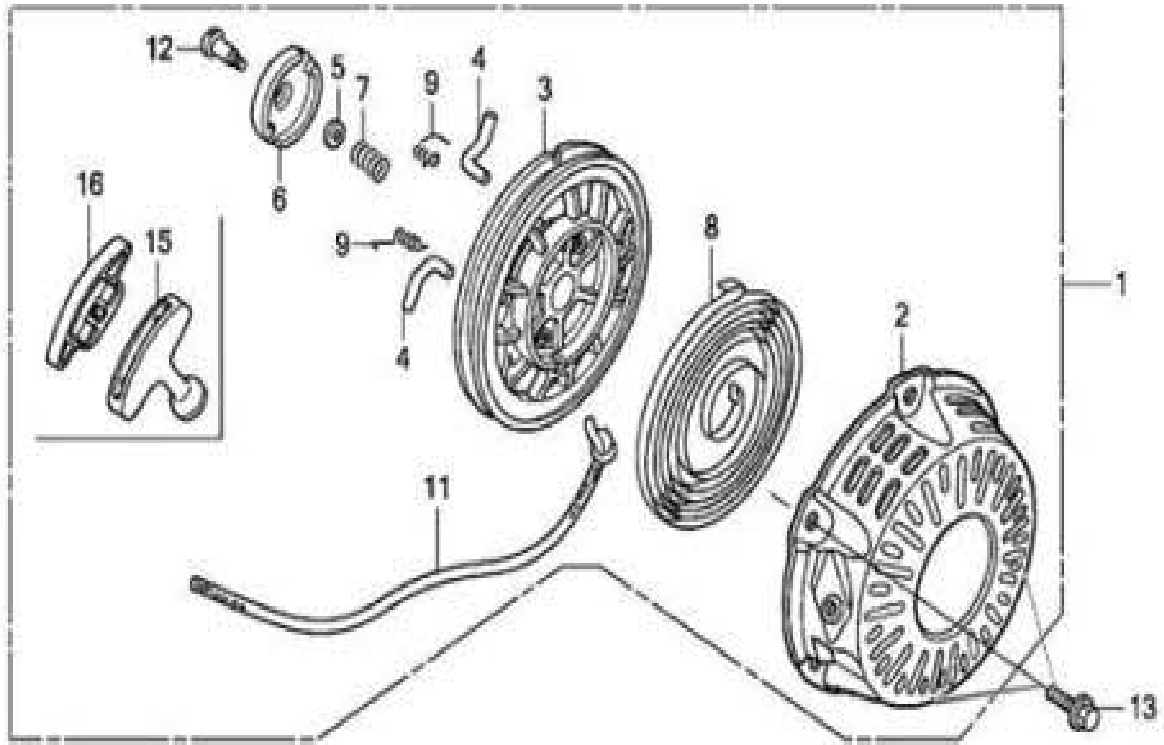
Products with multiple versions are listed in subsiding order with the newest version on top not indented.

Section	Fig. No.	Part No.	Description	MAC5501G	Tech Bulletin	Notes
16	1	18310-Z4M-010	MUFFLER CP	1		
16	3	18320-Z4M-000	PROTECTOR CP,MUFFLER(STD)	1		
16	7	18355-ZE1-000	ARRESTER,SPARK	1		
16	9	18381-Z0T-801	GASKET,MUFFLER	1		
16	14	90050-ZE1-000	TAPPING SCREW 5X8	4		
16	15	90055-ZE1-000	TAPPING SCREW 4X6	1		
16	19	94001-08000-05	NUT 8MM	2		



Products with multiple versions are listed in subsiding order with the newest version on top not indented.

Section	Fig. No.	Part No.	Description	MAC5501G	Tech Bulletin	Notes
17	1	13010-Z4M-801	RING SET,PISTON (STD)	1		
17	2	13101-Z4M-800	PISTON (STD)	1		
17	3	13111-Z4M-000	PIN,PISTON	1		
17	4	13200-Z0T-900	ROD,ASSY CONNECTING	1		
17	5	90001-Z4M-000	BOLT,CONNECTING ROD6X34.5	2		
17	6	90551-ZE1-000	CLIP,PISTON PIN 18MM	2		



Products with multiple versions are listed in subsiding order with the newest version on top not indented.

Section	Fig. No.	Part No.	Description	MAC5501G	Tech Bulletin	Notes
18	1	28400-Z4M-305ZD	STARTER ASSY,RECOIL 'R280'	1		POWER RED
18	2	28410-Z4M-003ZD	CASE , RECOIL STARTER 'R280'	1		POWER RED
18	3	28421-Z0T-003	REEL,RECOIL STARTER (BLACK)	1		
18	4	28422-ZH8-801	RATCHET,STARTER	2		
18	5	28431-ZH8-801	PLATE,FRICTION	1		
18	6	28433-ZH8-801	RATCHET GUIDE	1		
18	7	28441-ZH8-801	FRICTION SPRING	1		
18	8	28442-ZH8-003	SPRING,RECOIL STARTER	1		
18	9	28443-ZH8-801	SPRING,RETURN	2		
18	11	28462-ZH8-003	ROPE,RECOIL STARTER	1		
18	12	90003-ZH8-801	SCREW,SETTING	1		
18	13	90008-ZE2-003	FLANGE BOLT 6X10	3		
18	15	28461-Z4M-305	KNOB,RECOIL STARTER	1		
18	16	28463-Z4M-003	KNOB,REINFORCEMENT	1		