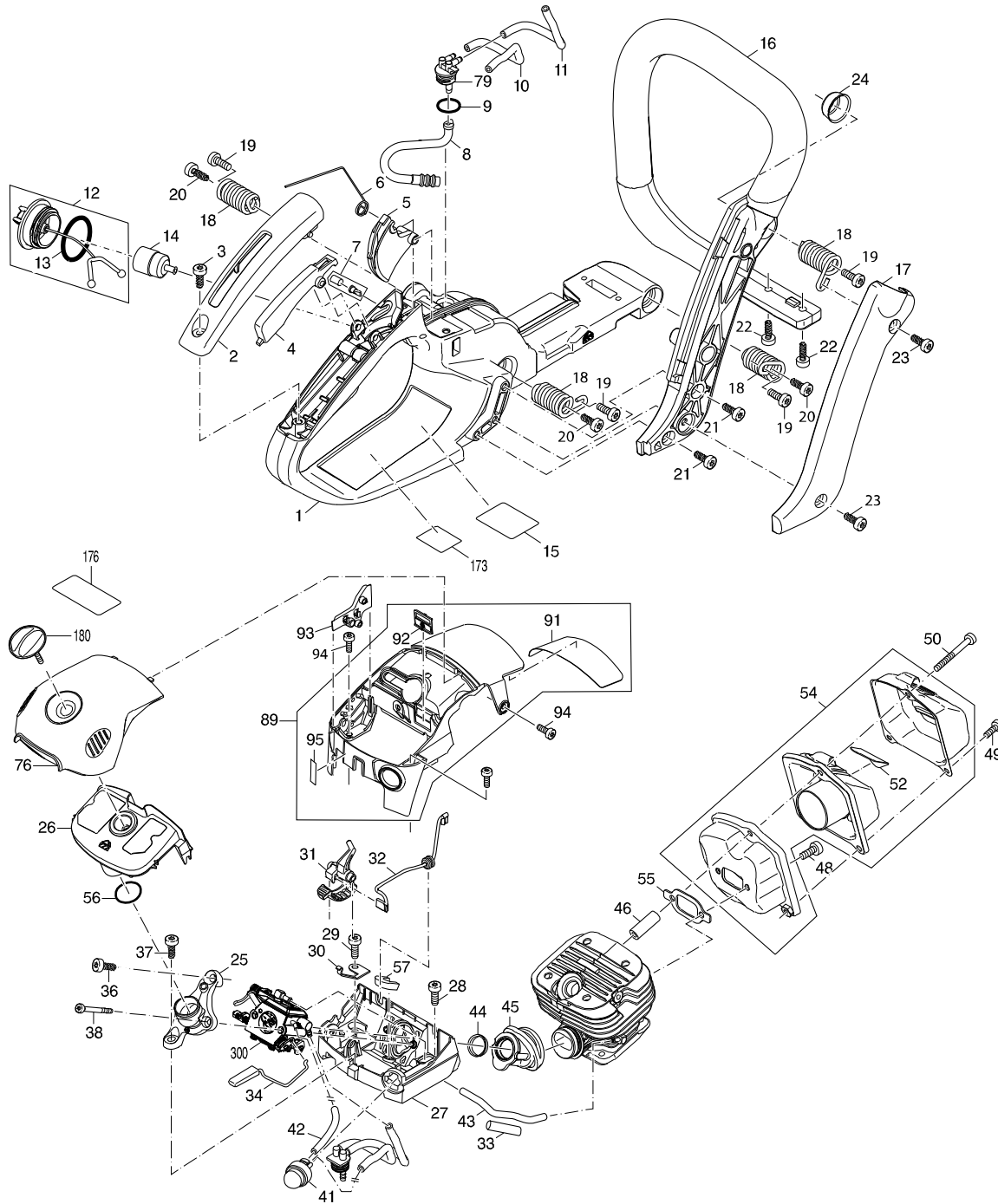
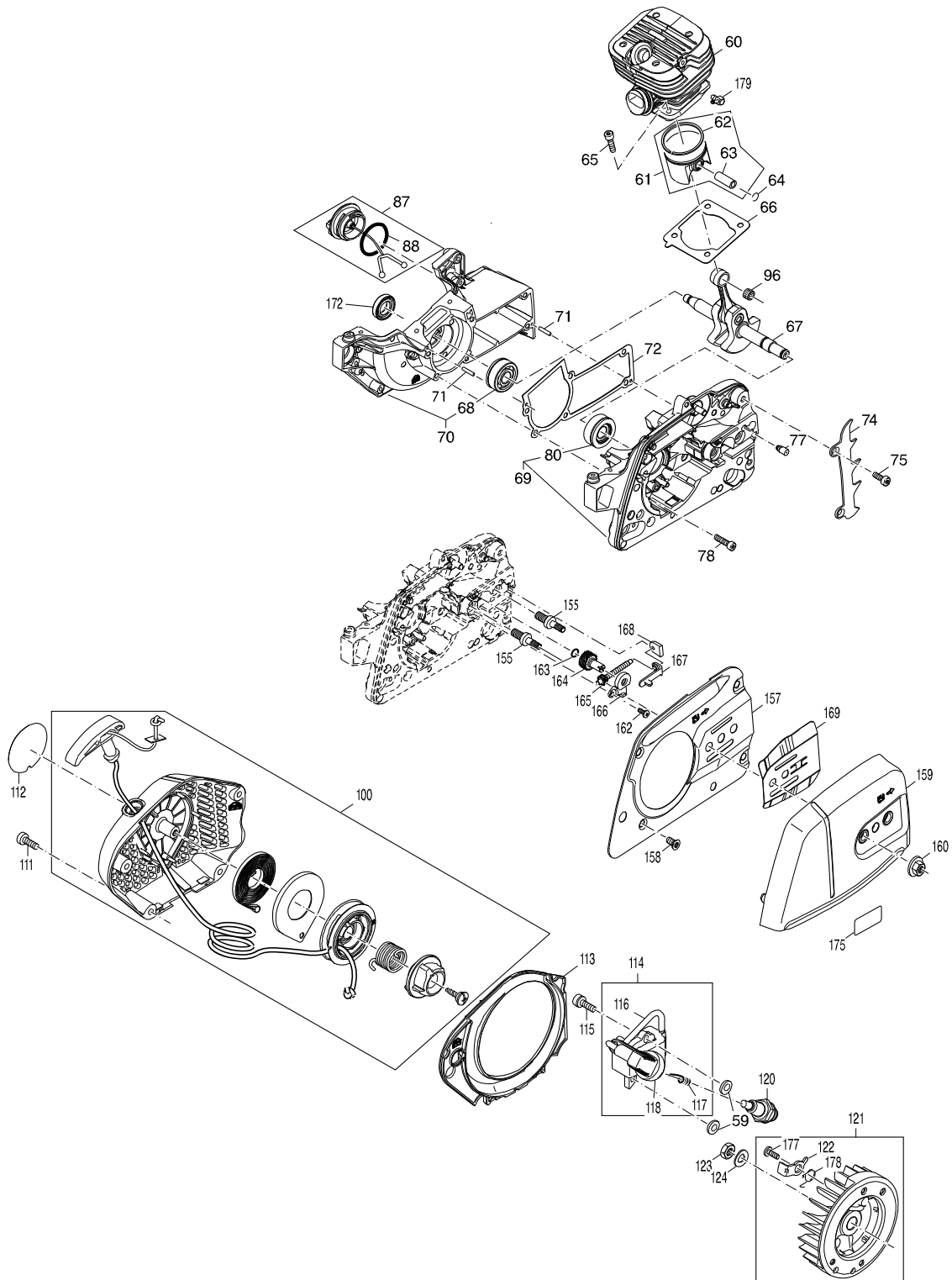


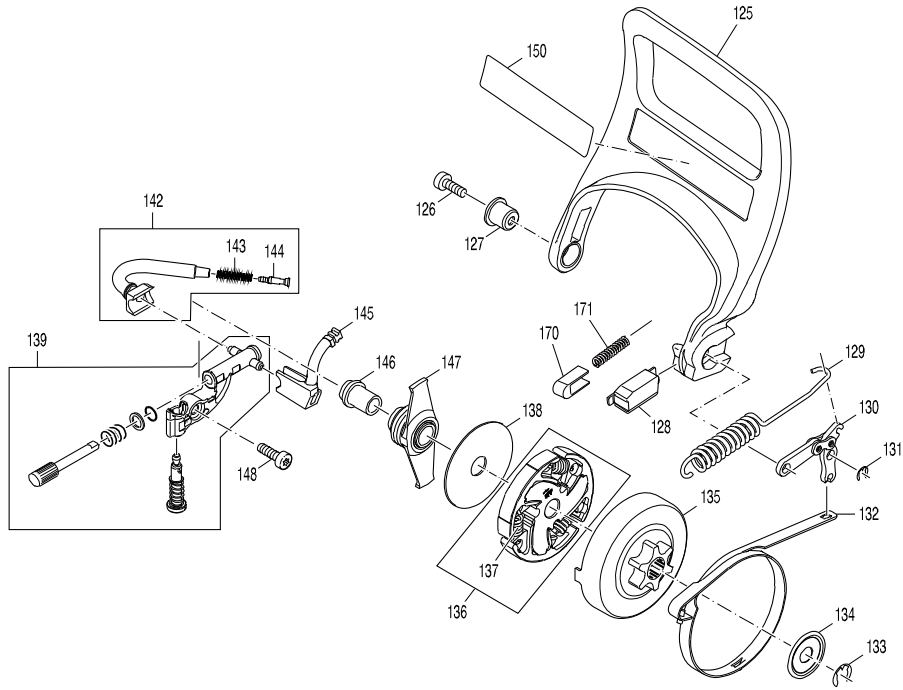
Modelo EA4301F PETROL CHAIN SAW



Modelo EA4301F PETROL CHAIN SAW



Modelo EA4301F PETROL CHAIN SAW



Pieza	Código	Descripción	Info	CTD.	N/O	Opc. 1	Opc. 2	OBS.
001	143341-2	FUEL TANK WELDED BLUE		1				
002	456143-0	GRIP OUTER SHELL		1				
003	266478-9	TAPPING SCREW TORX 5.5X16		1				
004	456142-2	CATCH LEVER		1				
005	456141-4	THROTTLE LEVER		1				
006	231866-9	TORSION SPRING 10		1				
007	195762-4	AIR VALVE SET		1				
008	424456-7	FUEL LINE		1				
009	213586-7	O RING 11.5		1				
010	424756-5	TUBE 2.5-118		1				
011	424757-3	TUBE 2.5-93		1				
012	168823-3	TANK CAP COMPLETE		1				
D10		INC. 13						
013	213080-9	O RING 29.5		1				
014	163447-0	GASOLINE FILTER		1				
015	852C41-8	EA4301F NAME PLATE		1				
016	456140-6	TUBULAR HANDLE		1				
017	456151-1	SIDE COVER MAKITA BLUE		1				
018	234189-4	COMPRESSION SPRING 12		4				
019	266605-8	H.L. SOCKET HEAD BOLT M5X16		4				
020	266478-9	TAPPING SCREW TORX 5.5X16		3				
021	266478-9	TAPPING SCREW TORX 5.5X16		2				
022	266478-9	TAPPING SCREW TORX 5.5X16		2				
023	266478-9	TAPPING SCREW TORX 5.5X16		2				
024	346517-2	CUP WASHER 6		1				
025	456135-9	INTAKE MANIFOLD		1				
026	123452-9	AIR FILTER CPL.NYLON		1				
027	456169-2	CARBURETOR BOTTOM		1				
028	266605-8	H.L. SOCKET HEAD BOLT M5X16		1				
029	266605-8	H.L. SOCKET HEAD BOLT M5X16		1				
030	346926-5	CONTACT SPRING		1				
031	456139-1	CHOKE LEVER		1				
032	632F41-0	SHORT-CIRCUIT CABLE		1				
033	424759-9	ISOLATING TUBE 6-30		1				
034	143330-7	THROTTLE LINKAGE		1				
036	266478-9	TAPPING SCREW TORX 5.5X16		1				
037	266478-9	TAPPING SCREW TORX 5.5X16		1				
038	251478-2	H.L. SOCKET HEAD BOLT M4X40		2				
041	168398-2	PRIMER PUMP		1				
042	424754-9	TUBE 2.5-55		1				
043	424755-7	TUBE 2.5-93		1				
044	346413-4	BUSH 17		1				
045	424753-1	INTAKE HOSE		1				
046	326675-0	CONNECTING LINK		1				
048	266605-8	H.L. SOCKET HEAD BOLT M5X16		2				
049	266612-1	H.L. SOCKET HEAD BOLT M5X10		2				
050	266943-8	H.L. SOCKET HEAD BOLT M5X40		1				
052	352027-9	SPARK ARRESTER SCREEN		1				

Pieza	Código	Descripción	Info	CTD.	N/O	Opc. 1	Opc. 2	OBS.
054	161362-2	MUFFLER COMPLETE		1				
D10		INC. 52						
055	346304-9	GASKET		1				
056	213085-9	O-RING 20		1				
057	424752-3	PACKING RING		1				
059	451462-9	ISOLATING WASHER		2				
060	319338-5	CYLINDER D=42		1				
061	143332-3	PISTON 42 CPL.		1				
D10		INC. 62,63						
062	257383-1	PISTON RING 42		1				
063	268339-9	PISTON PIN 9		1				
064	232302-8	CIRCRIP 9		2				
065	266960-8	H.L. SOCKET HEAD BOLT M5X20		4				
066	346925-7	CYLINDER BASE GASKET		1				
067	143329-2	CRANKSHAFT CPL.		1				
068	211494-6	BALL BEARING 6201		1				
069	143333-1	CRANKCASE CS COMPLETE BLUE		1				
D10		INC. 71,77,80						
070	143337-3	CRANKCASE MS COMPLETE BLUE		1				
D10		INC. 68						
071	258038-1	CLAMPING PIN		2				
072	346924-9	CRANK CASE GASKET		1				
074	346301-5	SPIKE BAR		1				
075	266605-8	H.L. SOCKET HEAD BOLT M5X16		2				
076	456159-5	HOOD		1				
077	168504-9	VENT VALVE		1				
078	266960-8	H.L. SOCKET HEAD BOLT M5X20		6				
079	452018-1	FUEL NIPPLE		1				
080	219024-7	DEEP GROOVE BALL BEARING		1				
087	168823-3	TANK CAP COMPLETE		1				
D10		INC. 88						
088	213080-9	O RING 29.5		1				
089	161368-0	HOOD COMPLETE BLACK		1				
D10		INC. 91,92,95						
091	346929-9	PROTECTION FILM HOOD		1				
092	456157-9	SHUTTER PLATE		1				
093	456138-3	GUIDE		1				
094	266605-8	H.L. SOCKET HEAD BOLT M5X16		3				
095	816917-5	INDICATION LABEL		1				
096	212093-7	NEEDLE CAGE 912		1				
100	161365-6	STARTER COMPLETE BLUE		1				
111	266605-8	H.L. SOCKET HEAD BOLT M5X16		4				
112	807A60-7	EA4301F MODEL NO. LABEL		1				
113	456137-5	AIR GUIDE PLATE		1				
114	161357-5	IGNITION COIL COMPLETE		1				
D10		INC. 116,117,118						
115	266472-1	SCREW		2				
116	444042-8	ISOLATING TUBE 6-80		1				

Pieza	Código	Descripción	Info	CTD.	N/O	Opc. 1	Opc. 2	OBS.
117	234358-7	TERMINAL SPRING		1				
118	424750-7	PLUG CAP		1				
120	168599-2	SPARK PLUG NGK CMR7A-5		1				
121	143331-5	FLYWHEEL COMPLETE		1				
D10		INC. 122,177,178						
122	346916-8	RATCHET		2				
123	264022-6	HEXAGONAL NUT		1				
124	267822-3	SPRING WASHER 8		1				
125	456136-7	HAND PROTECTION		1				
126	266605-8	H.L. SOCKET HEAD BOLT M5X16		1				
127	326596-6	BUSH		1				
128	450926-0	STOPPER CASE		1				
129	231870-8	TENSION SPRING 10		1				
130	163500-2	LINK PLATE COMPLETE		1				
131	257934-0	STOP RING E-4		1				
132	346029-5	BRAKE BAND		1				
133	259045-7	STOP RING E-8		1				
134	267820-7	WASHER 29		1				
135	143339-9	CLUTCH DRUM SOLDERED CPL.		1				
136	123454-5	CLUTCH ASSEMBLY		1				
D10		INC. 137						
137	231896-0	TENSION SPRING		3				
138	267389-1	FLAT WASHER 12		1				
139	161346-0	OIL PUMP COMPLETE		1				
142	168645-1	OIL SUCTION LINE COMPLETE		1				
D10		INC. 144,143						
143	234207-8	COMPRESSION SPRING 6		1				
144	452666-6	NIPPLE		1				
145	424178-9	OIL TUBE		1				
146	325604-0	BUSH		1				
147	450956-1	PUMP DRIVE		1				
148	266605-8	H.L. SOCKET HEAD BOLT M5X16		1				
150	810075-9	CAUTION LABEL		1				
155	266978-9	BOLT		2				
157	346927-3	CHAIN BRAKE COVER		1				
158	266477-1	TORX C.S. HEAD SCREW M5X12		2				
159	161440-8	SPROCKET GUARD CPL. MAKITA		1				
160	252145-2	COLLARED HEX NUT M8		2				
162	251480-5	TAPPING SCREW ST3.5X9.5		1				
163	213082-5	O-RING 7		1				
164	226693-7	HELICAL GEAR 18		1				
165	226692-9	HELICAL GEAR 11		1				
166	452667-4	GEAR COVER PROFESSIONAL		1				
167	346300-7	TENSION SLIDE		1				
168	450929-4	GUIDE PLATE		1				
169	346518-0	GUIDE PLATE		1				
170	313212-9	HAND GUARD GUIDE		1				
171	234093-7	COMPRESSION SPRING 3		1				

Pieza	Código	Descripción	Info	CTD.	N/O	Opc. 1	Opc. 2	OBS.
172	213141-5	OIL SEAL 12		1				
177	266626-0	H.L. TAPPING SCREW 5X12		2				
178	232303-6	TORSION SPRING 13		2				
179	325938-1	ANGULAR NIPPLE		1				
180	266977-1	THUMB SCREW		1				
300	161370-3	CARBURETOR DM24B		1				
A01	165390-9	GUIDE BAR		1				
A02	419560-5	CHAIN PROTECTION COVER 430		1				
A03	197324-4	TOOL KIT		1				
C10	782025-3	TORX WRENCH		1				
C20	782026-1	UNIVERSAL WRENCH 13/16		1				
C30	783012-5	SCREWDRIVER		1				
C40	831340-3	TOOL BAG		1				