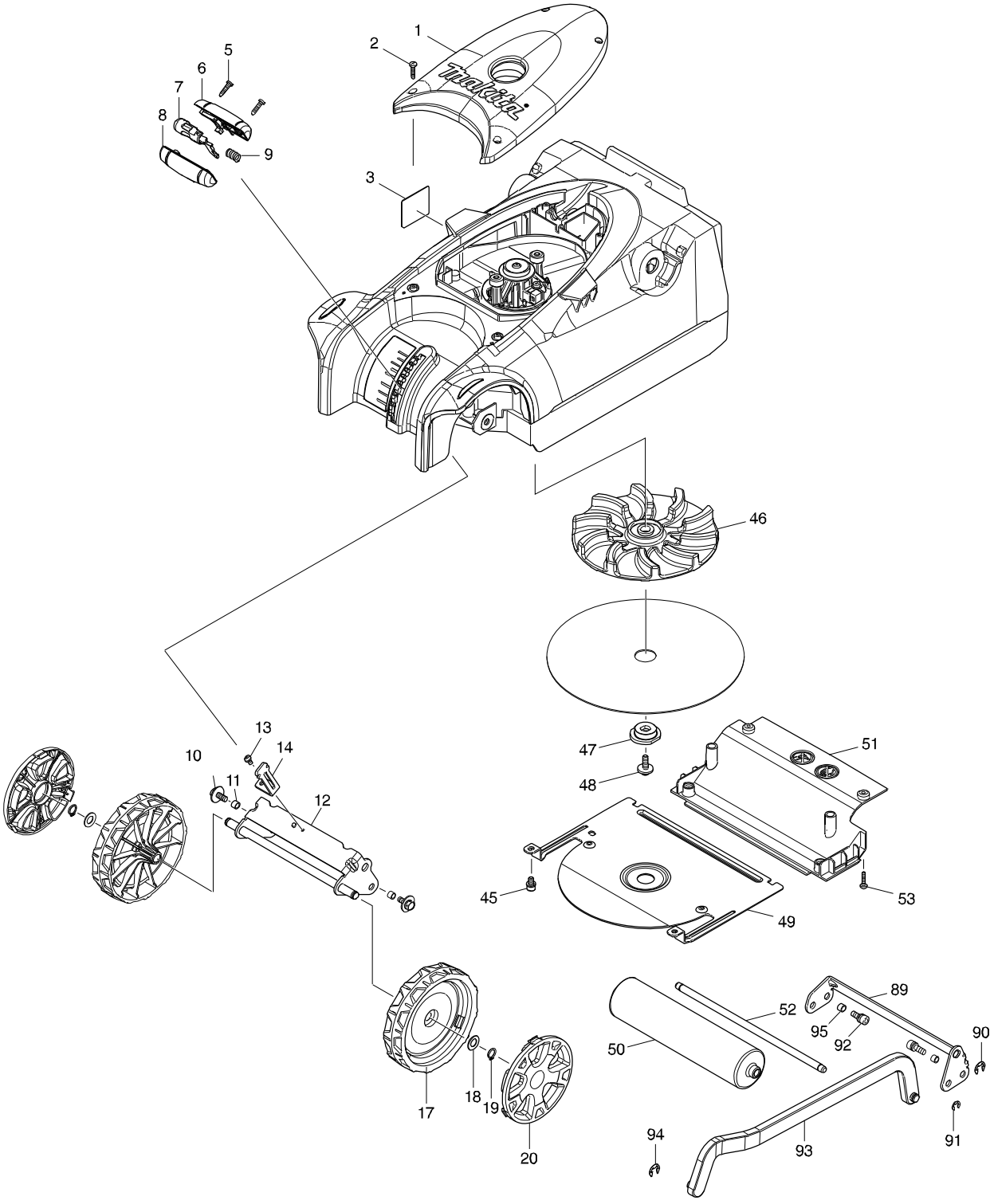
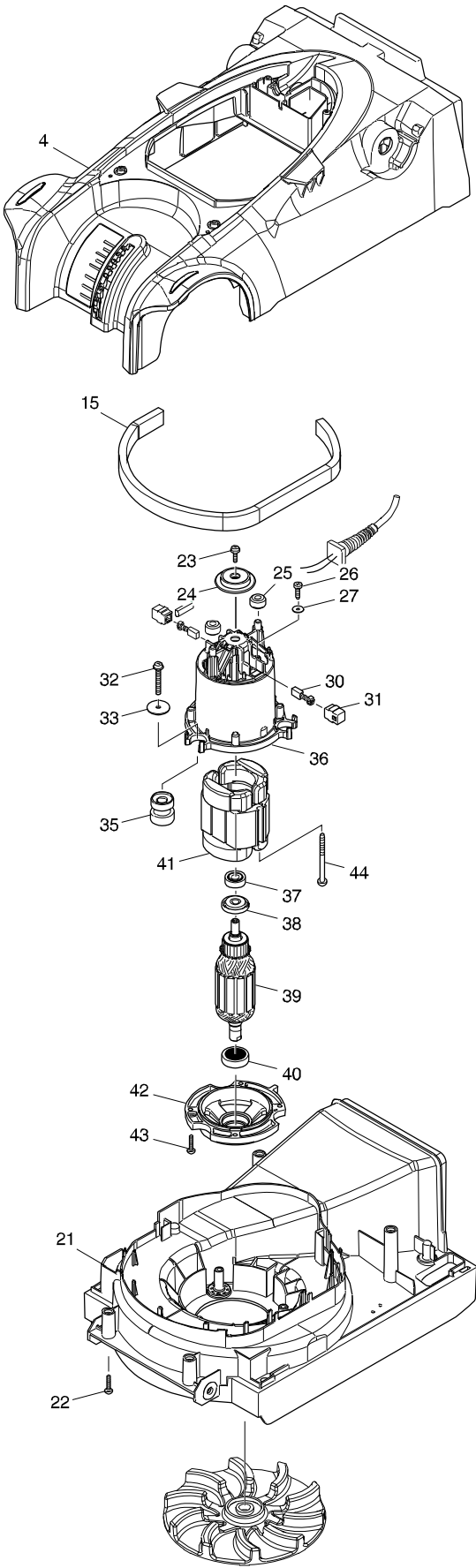


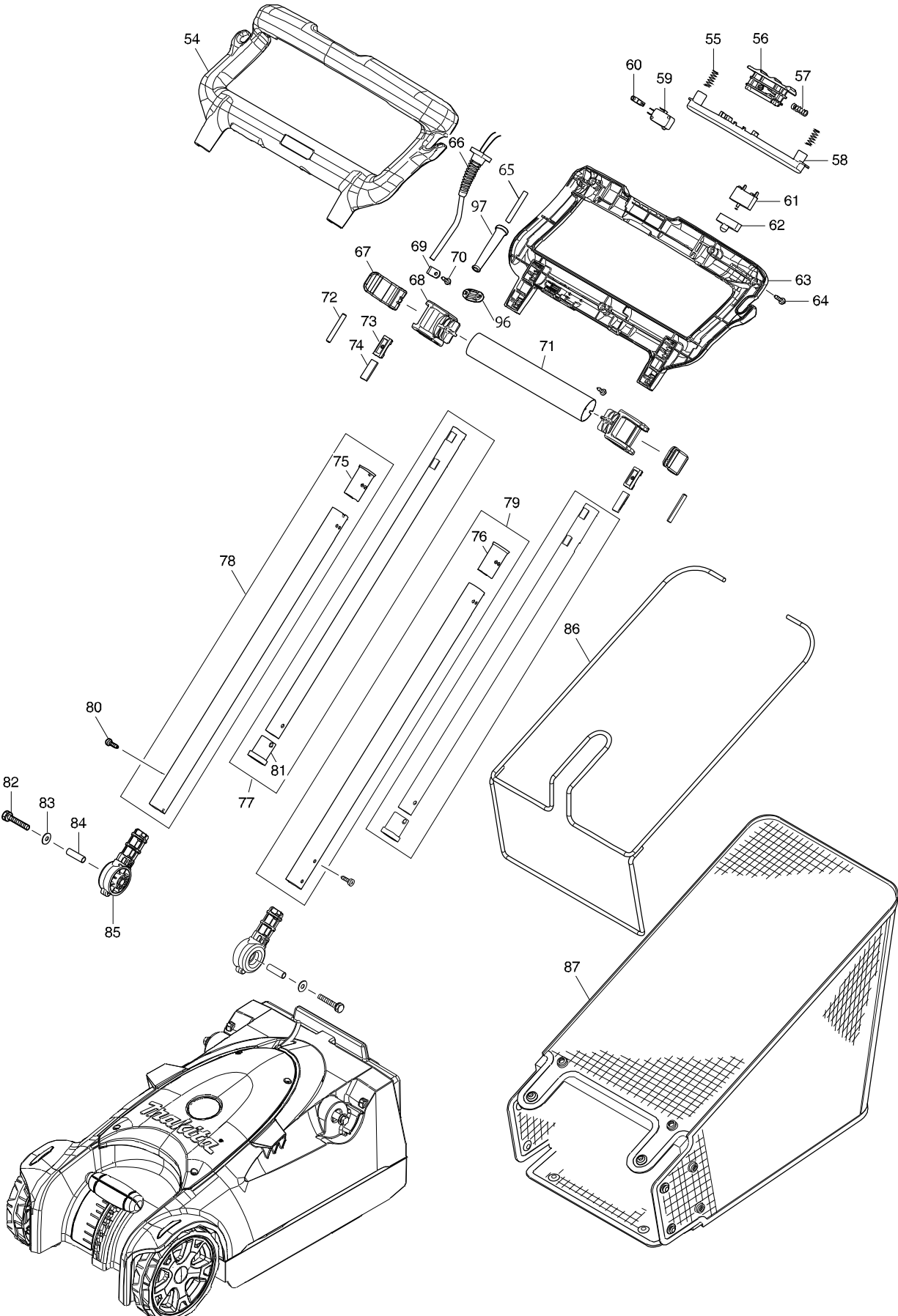
Modelo LM2301 230MM ELECTRIC LAWN MOWER



Modelo LM2301 230MM ELECTRIC LAWN MOWER



Modelo LM2301 230MM ELECTRIC LAWN MOWER



Pieza	Código	Descripción	Info	CTD.	N/O	Opc. 1	Opc. 2	OBS.
001	457569-9	TOP COVER		1				
002	266326-2	TAPPING SCREW 4X18		4				
003	852X64-2	LM2301 NAME PLATE		1				
004	144453-4	COWLING COMPLETE M		1				
C10	892545-0	CAUTION LABEL		1				
C20	812D64-4	INDICATION LABEL		2				
C30	812D71-7	INDICATION LABEL		1				
005	266326-2	TAPPING SCREW 4X18		2				
006	183G10-5	LEVER CASE SET		1				
D10		INC. 8						
007	457579-6	LOCK OFF BUTTON		1				
008	183G10-5	LEVER CASE SET		1				
D10		INC. 6						
009	231418-6	COMPRESSION SPRING 9		1				
010	922323-5	HEX.SOCKET HEAD BOLT M6X16		2				
011	257669-3	SLEEVE 6		2				
012	347195-1	FRONT PLATE		1				
013	911110-7	PAN HEAD SCREW M4X8		1				
014	347197-7	LEVER PLATE		1				
015	422145-8	FILTER		1				
017	457516-0	WHEEL 130		2				
018	253828-7	FLAT WASHER 10		2				
019	961006-2	RETAINING RING S-10		2				
020	457517-8	CAP		2				
021	457567-3	DECK		1				
C10	252157-5	SQUARE NUT M6		4				
022	266326-2	TAPPING SCREW 4X18		4				
023	911118-1	PAN HEAD SCREW M4X12		1				
024	140865-9	INDICATOR COMPLETE		1				
C10	892544-2	CAUTION LABEL		1				
025	262532-7	RUBBER SLEEVE 5		2				
026	266192-7	TAPPING SCREW 4X14		2				
027	253874-0	FLAT WASHER 4		2				
030	194971-2	CARBON BRUSH CB-75		1				
031	643552-4	BRUSH HOLDER 5-8		2				
032	266420-0	TAPPING SCREW 5X20		3				
033	267438-4	FLAT WASHER 5		3				
035	422144-0	RUBBER SLEEVE 10		3				
036	457571-2	MOTOR HOUSING		1				
037	210044-4	BALL BEARING 608DDW		1				
038	681644-1	INSULATION WASHER		1				
039	510326-7	ARMATURE ASS'Y 115V		1				
D10		INC. 37,38,40						
040	210163-6	BALL BEARING 6001DDW		1				
041	621852-2	FIELD		1				
042	452567-8	BEARING COVER		1				
043	266326-2	TAPPING SCREW 4X18		4				
044	266044-2	TAPPING SCREW 5X60		2				

Pieza	Código	Descripción	Info	CTD.	N/O	Opc. 1	Opc. 2	OBS.
045	922306-5	HEX. SOCKET HEAD BOLT M6X10		2				
046	240181-0	FAN 170		1				
047	224498-9	OUTER FLANGE 36		1				
048	266024-8	HEX. SOCKET HEAD BOLT M6X20		1				
049	346390-0	UNDER COVER		1				
050	457518-6	ROLLER 8-219		1				
051	144456-8	REAR COVER COMPLETE M		1				
C10	892547-6	INDICATION LABEL		1				
C20	892499-1	CLEAR LABEL		1				
052	256352-9	ROD 8		1				
053	266326-2	TAPPING SCREW 4X18		4				
054	183G89-6	GRIP SET		1				
C10	892543-4	INDICATION LABEL		1				
D10		INC. 63						
055	233068-3	COMPRESSION SPRING 6		2				
056	453185-5	LOCK OFF LEVER		1				
057	233068-3	COMPRESSION SPRING 6		1				
058	453186-3	SWITCH LEVER		1				
059	651085-5	SWITCH D3V-16-1C26		1				
061	652790-7	CURRENT RELAY		1				
062	452586-4	RELAY COVER		1				
063	183G89-6	GRIP SET		1				
C10	892543-4	INDICATION LABEL		1				
D10		INC. 54						
064	266326-2	TAPPING SCREW 4X18		9				
065	699094-6	POWER SUPPLY CORD UNIT		1				
066	660294-5	POWER SUPPLY CORD 0.83-2-475		1				
067	452572-5	LOCK LEVER		2				
068	452579-1	PIPE HOLDER		2				
069	687045-1	STRAIN RELIEF		1				
070	266192-7	TAPPING SCREW 4X14		2				
071	331935-7	CENTER PIPE		1				
072	951178-1	SPRING PIN 5-40		2				
073	452580-6	HOLDER		2				
074	424391-9	LOCK RUBBER		2				
075	452577-5	UPPER STOPPER R		1				
076	452584-8	UPPER STOPPER L		1				
077	135470-5	UPPER PIPE ASS'Y		2				
D10		INC. 81						
078	135471-3	LOWER PIPE R ASS'Y		1				
D10		INC. 75						
079	135472-1	LOWER PIPE L ASS'Y		1				
D10		INC. 76						
080	266192-7	TAPPING SCREW 4X14		4				
081	452578-3	LOWER STOPPER		2				
082	921356-7	HEX. BOLT M6X35		2				
083	253804-1	FLAT WASHER 6		2				
084	257690-2	SLEEVE 6		2				

