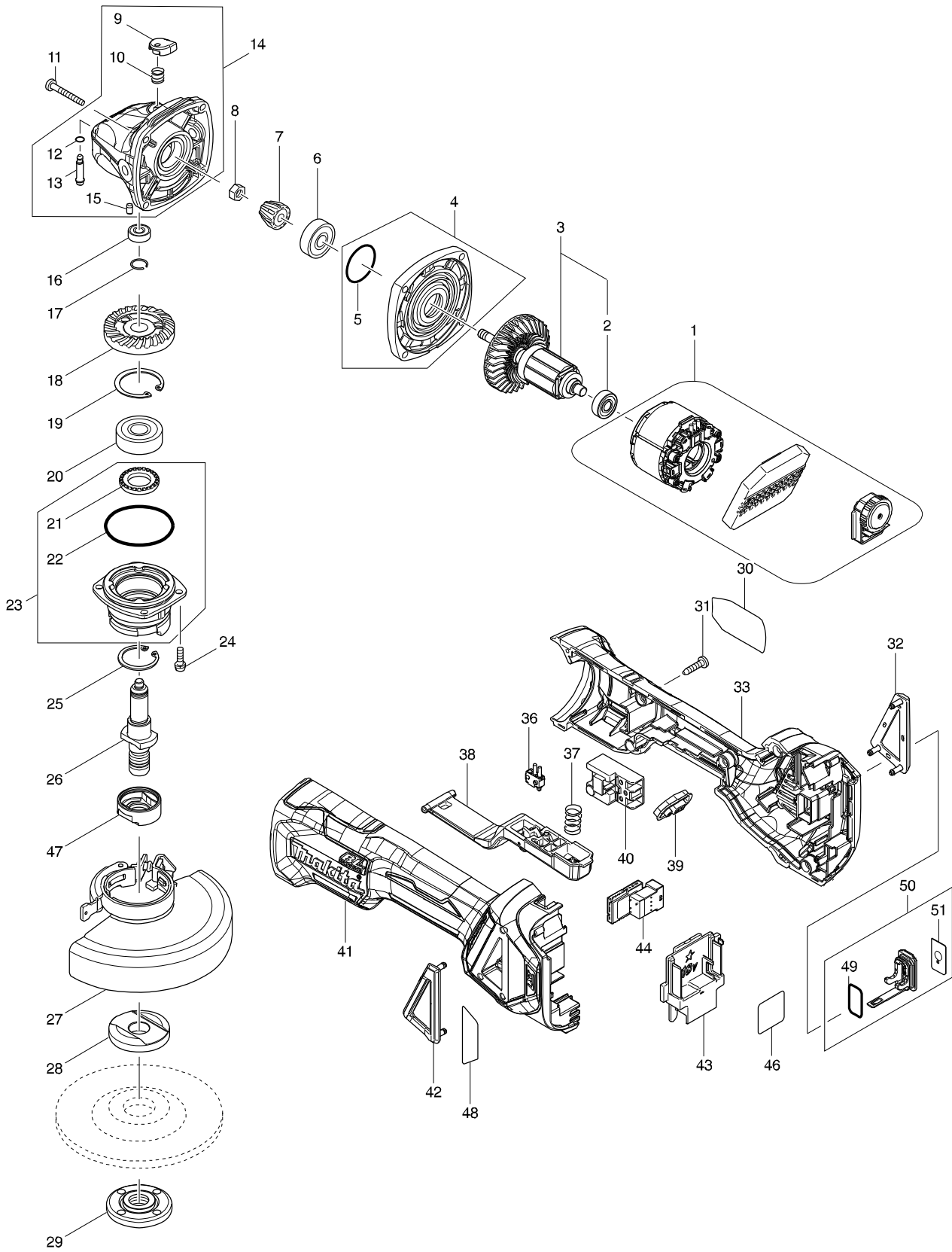


Modelo DGA468 115MM CORDLESS ANGLE GRINDER



Pieza	Código	Descripción	Info	CTD.	N/O	Opc. 1	Opc. 2	OBS.
001	629305-5	STATOR COMPLETE		1				
002	210169-4	BALL BEARING 607LLB		1				
003	510329-1	ROTOR ASS'Y		1				
D10		INC. 2						
004	135930-7	GEAR HOUSING COVER ASSEMBLY		1				
D10		INC. 5						
005	213445-5	O-RING 26		1				
006	210042-8	BALL BEARING 629LLB		1				
007	227541-3	SPIRAL BEVEL GEAR 10		1				
008	252186-8	HEX. NUT M6		1				
009	417771-6	PIN CAP		1				
010	233072-2	COMPRESSION SPRING 8		1				
011	266361-0	TAPPING SCREW 4X30		4				
012	213960-9	O RING 5		1				
013	256546-6	SHOULDER PIN 4		1				
014	135929-2	GEAR HOUSING ASSEMBLY		1				
D10		INC. 9,10,12,13,15						
015	263002-9	RUBBER PIN 4		1				
016	210033-9	BALL BEARING 696ZZ		1				
017	233950-6	RING SPRING 11		1				
018	227641-9	SPIRAL BEVEL GEAR 37		1				
019	962151-6	RETAINING RING R-32		1				
020	211129-9	BALL BEARING 6201DDW		1				
021	262153-5	FELT RING 16		1				
022	213622-9	O RING 45		1				
023	135949-6	BEARING BOX ASSEMBLY		1				
D10		INC. 21,22						
024	911121-2	PAN HEAD SCREW M4X14		4				
025	962105-3	RETAINING RING R-26		1				
026	326670-0	SPINDLE A		1				
027	123144-0	TOOLLESS WHEELCOVER 115AK ASS		1				
028	224448-4	INNER FLANGE 45B		1				
029	224568-4	LOCK NUT 5/8-45		1				
030	853Y68-3	DGA468 NAME PLATE		1				
031	266326-2	TAPPING SCREW 4X18		5				
032	455450-8	DUST COVER R		1				
033	183H85-0	MOTOR HOUSING SET		1				
C10	263005-3	RUBBER PIN 6		2				
D10		INC. 41						
036	632E12-1	SWITCH UNIT		1				
037	234357-9	COMPRESSION SPRING 11		1				
038	142976-6	SWITCH LEVER COMPLETE		1				
039	142901-7	INDICATOR PANEL COMPLETE		1				
040	650734-1	SWITCH TG73BDS-2		1				
041	183H85-0	MOTOR HOUSING SET		1				
C10	263005-3	RUBBER PIN 6		2				
D10		INC. 33						
042	455449-3	DUST COVER L		1				

Modelo DGA468 115MM CORDLESS ANGLE GRINDER

Pieza	Código	Descripción	Info	CTD.	N/O	Opc. 1	Opc. 2	OBS.
043	643874-2	TERMINAL		1				
044	620752-3	SUB CONTROLLER		1				
046	853Y70-6	DGA468 SERIAL NO. LABEL		1				
047	310515-2	LEAD FLANGE A		1				
048	816D93-9	INDICATION LABEL		1				
049	213275-4	O RING 18		1				
050	183H92-3	CAP SET		1				
D10		INC. 49,51						
051	813T75-8	CAP LABEL		1				
A01	741423-B	4 1/2" GRINDING WHEEL 115X6X22		1				
A02	158237-4	GRIP 36 COMPLETE		1				
A03	782424-9	LOCK NUT WRENCH 28		1				
A04	198906-5	WIRELESS UNIT SET		1	*			
A05B	***DC18RC	DC18RC FAST CHARGER		1				
D10		COMPO-PARTS						
A06B	197283-2	BATTERY BL1850B SET		2				
A07B	450128-8	BATTERY COVER		2				
A08B	821551-8	CONNECTOR PLASTIC CASE (TYPE3)		1				
C10	453974-8	LATCH		4				
A09B	839252-4	INNER TRAY		1				
A10B	816J61-8	DGA468RTJU INDICATION LABEL		1				
A11B	816J62-6	DGA468RTJU PLASTIC CASE LABEL		2				