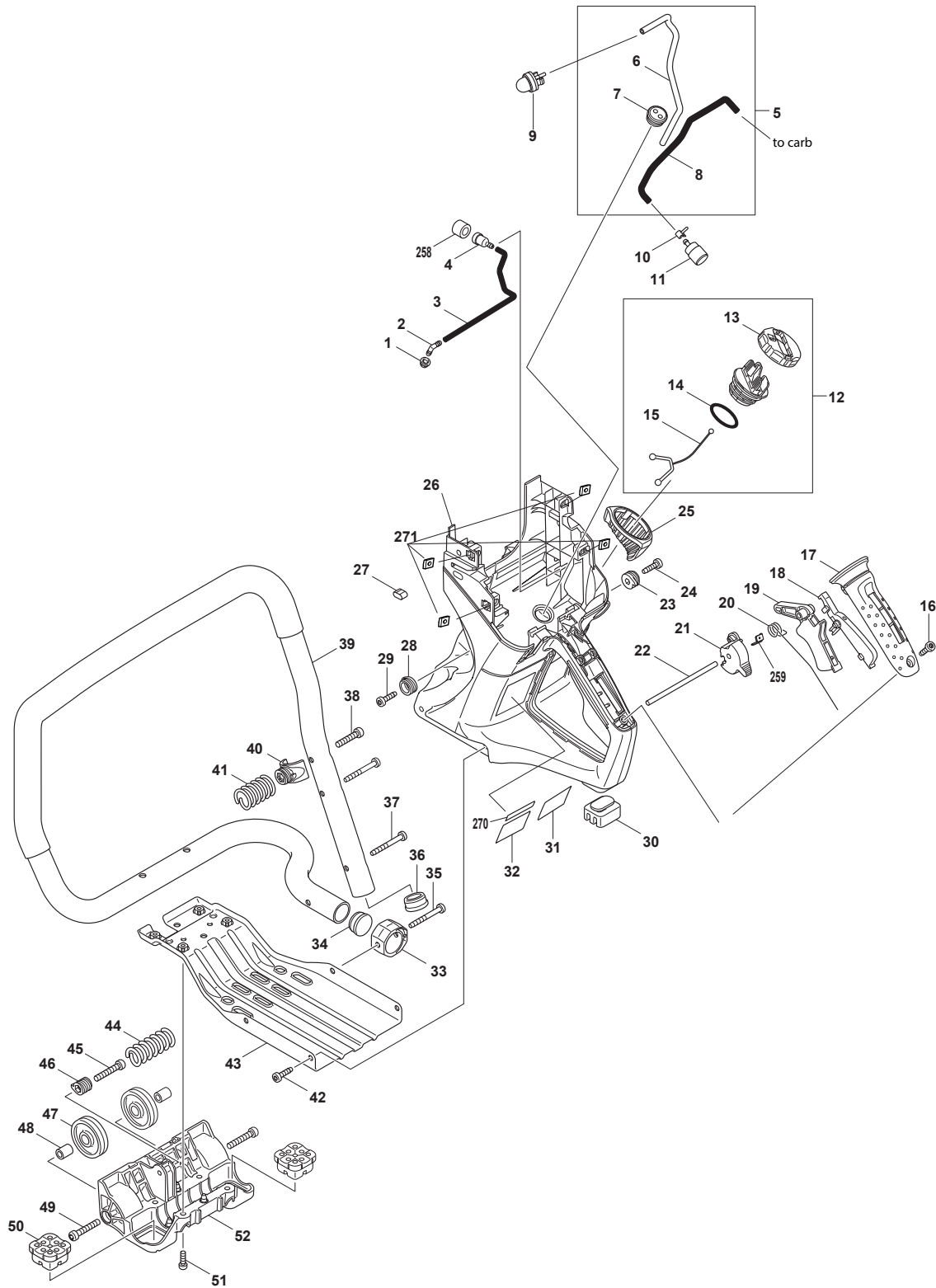




EK7651H
EK7651HD



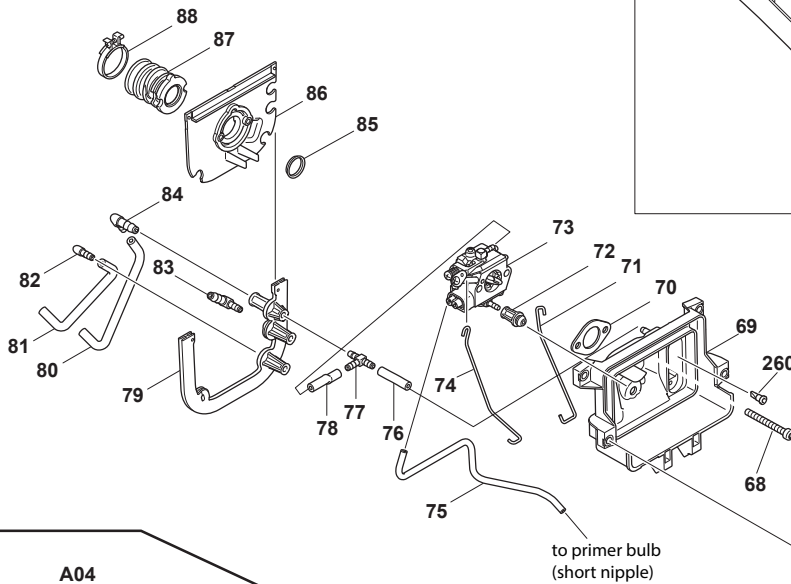
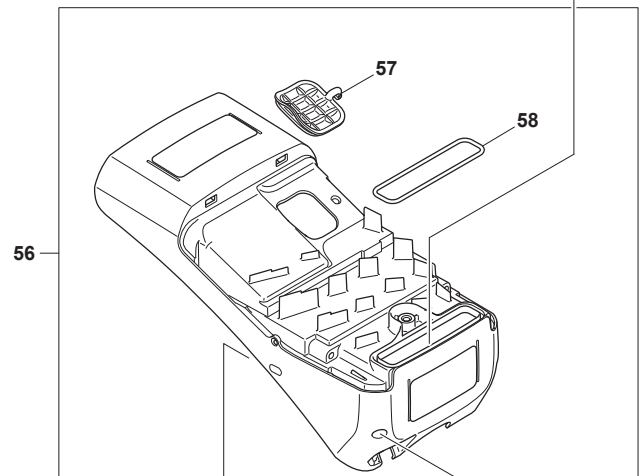
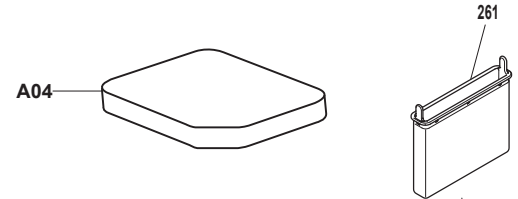
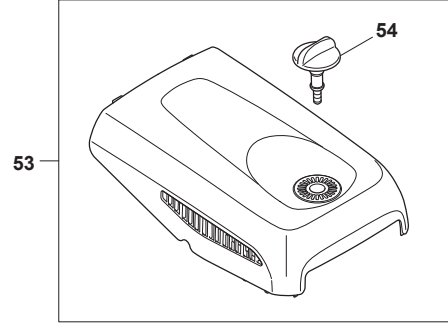
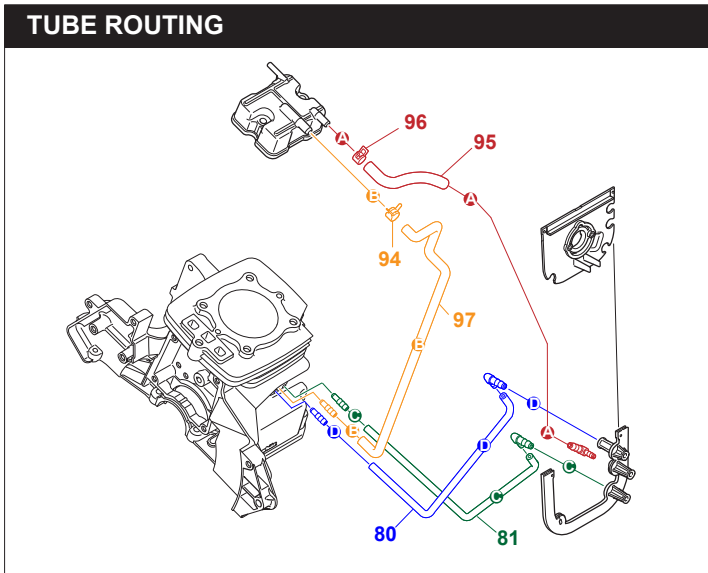
Products with multiple versions are listed in subsiding order with the newest version on top not indented.

Section	Fig. No.	Part No.	Description	EK7651H	EK7651HD	Tech Bulletin	Notes
1	1	421875-8	GROMMET	1	1		
1	2	452800-8	HOSE JOINT 4-4	1	1		
1	3	422083-4	TUBE 3-190	1	1		
1	4	168396-6	BREATHER	1	1		
1	5	168654-0	TUBE COMPLETE	1	1		
1	6	422074-5	TUBE 3-120	1	1		
1	7	424101-4	GROMMET	1	1		
1	8	422108-4	TUBE 3-300	1	1		
1	9	168398-2	PRIMER PUMP	1	1		
1	10	324616-0	HOSE CLAMP	1	1		
1	11	163447-0	GASOLINE FILTER	1	1		
1	12	140831-6	TANK CAP COMPLETE	1	1		
1	13	452697-5	TANK CAP KNOB	1	1		
1	14	213080-9	O RING 29.5	1	1		
1	15	450957-9	STRAP	1	1		
1	16	266475-5	TAPPING SCREW TORX 5.5X20	1	1		
1	17	452736-1	GRIP COVER	1	1		
1	18	452722-2	LOCK OFF LEVER	1	1		
1	19	452721-4	THROTTLE LEVER	1	1		
1	20	233590-0	TORSION SPRING 12	1	1		
1	21	452723-0	SWITCH LEVER	1	1		
1	22	256520-4	ROD 5	1	1		
1	23	452742-6	REAR INNER HOLDER	1	1		
1	24	266475-5	TAPPING SCREW TORX 5.5X20	1	1		
1	25	424408-8	TANK GUARD	1	1		
1	26	140774-2	TANK COMPLETE	1	1		
1	26	898274-3	INDICATION LABEL	1	1		
1	27	424583-0	PLUG	1	1		
1	28	452742-6	REAR INNER HOLDER	1	1		
1	29	266475-5	TAPPING SCREW TORX 5.5X20	1	1		
1	30	424404-6	REAR FOOT	1	1		
1	33	452737-9	CLAMP	1	1		
1	34	424410-1	RUBBER CAP	1	1		
1	35	266687-0	TAPPING SCREW 5.5X45	1	1		

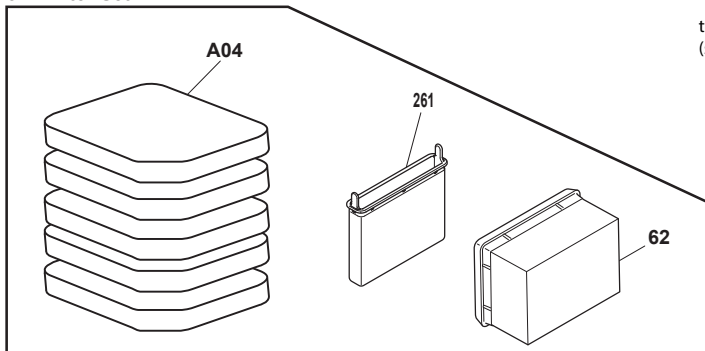
Products with multiple versions are listed in subsiding order with the newest version on top not indented.

Section	Fig. No.	Part No.	Description	EK7651H	EK7651HD	Tech Bulletin	Notes
1	36	424410-1	RUBBER CAP	1	1		
1	37	266687-0	TAPPING SCREW 5.5X45	2	2		
1	38	266659-5	H.L. SOCKET HEAD BOLT M6X30	1	1		
1	39	331940-4	FRONT HANDLE	1	1		
1	40	452741-8	CENTER OUTER HOLDER	1	1		
1	41	234214-1	COMPRESSION SPRING 16	1	1		
1	42	266475-5	TAPPING SCREW TORX 5.5X20	3	3		
1	43	346433-8	BOTTOM PLATE	1	1		
1	44	234213-3	COMPRESSION SPRING 13	1	1		
1	45	266659-5	H.L. SOCKET HEAD BOLT M6X30	1	1		
1	46	452740-0	FRONT INNER HOLDER	1	1		
1	47	318727-1	ROLLER 45	2	2		
1	48	257972-2	SLEEVE 6.5	2	2		
1	49	266660-0	H.L. SOCKET HEAD BOLT M6X35	2	2		
1	50	424405-4	FRONT FOOT	2	2		
1	51	266652-9	H.L. SOCKET HEAD BOLT M5X16	4	4		
1	52	318712-4	GUARD	1	1		
1	258	424023-8	SPONGE SLEEVE 9	1	1		
1	259	346554-6	PLATE	1	1		
1	271	264066-6	SQUARE NUT M5-10	4	4		

TUBE ROUTING



5+1 Filter Set



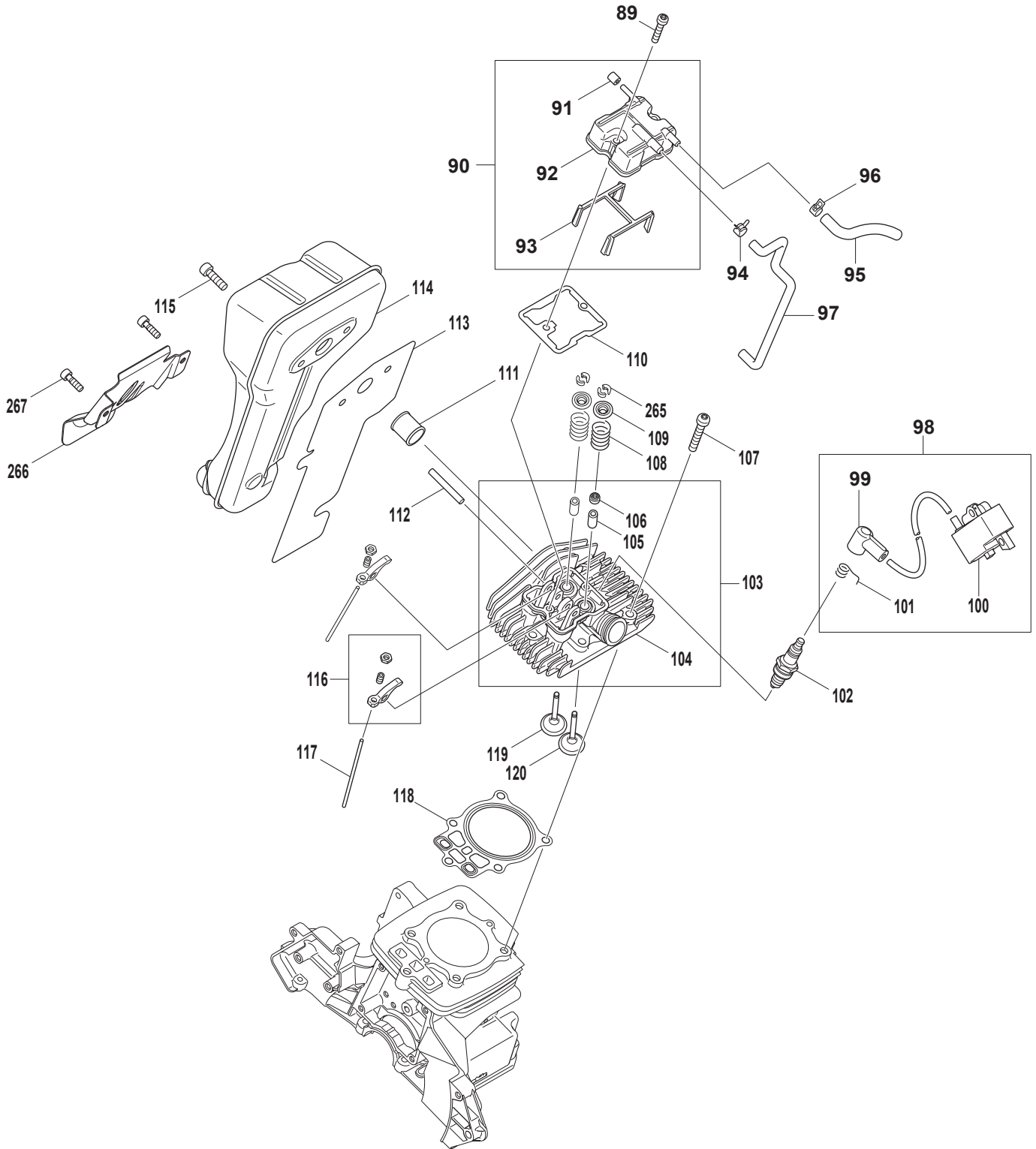
A05

Products with multiple versions are listed in subsiding order with the newest version on top not indented.

Section	Fig. No.	Part No.	Description	EK7651H	EK7651HD	Tech Bulletin	Notes
2	53	140903-7	TOP COVER COMPLETE	1	1		
2	54	266692-7	THUMB SCREW M6X15	1	1		
2	56	142884-1	FILTER COVER COMPLETE	1	1		
2	56	140902-9	FILTER COVER COMPLETE	1	1		
2	57	424409-6	PLUG COVER	1	1		
2	58	424417-7	PACKING	1	1		
2	61	266656-1	H.L. SOCKET HEAD BOLT M5X40	4	4		
2	62	442165-6	AIR FILTER	1	1		
2	63	424399-3	INNER FILTER	1	1		
2	64	266127-8	+ TAPPING SCREW PT 3X20	2	2		
2	65	452739-5	SEPARATER COVER	1	1		
2	66	213459-4	O RING 32	1	1		
2	67	352012-2	SEPARATOR MESH	1	1		
2	68	266657-9	H.L. SOCKET HEAD BOLT M5X45	2	2		
2	69	452720-6	FILTER BRACKET	1	1		
2	70	442166-4	CARBURATOR GASKET	1	1		
2	71	326040-3	THROTTLE LINKAGE	1	1		
2	72	424407-0	RUBBER JOINT	1	1		
2	73	168815-2	CARBURETOR	1	1		
2	74	326041-1	CHOKE LINKAGE	1	1		
2	75	422077-9	TUBE 3-190	1	1		
2	76	422080-0	TUBE 3-35	1	1		
2	77	452952-5	HOSE JOINT	1	1		
2	78	422079-5	TUBE 3-45	1	1		
2	79	424418-5	SEAL	1	1		
2	80	422082-6	TUBE 3-130	1	1		
2	81	422081-8	TUBE 3-75	1	1		
2	82	452951-7	HOSE JOINT 4-4	1	1		
2	83	452799-7	HOSE JOINT 4-6	1	1		
2	84	452799-7	HOSE JOINT 4-6	1	1		
2	85	346397-6	GUIDE RING	1	1		
2	86	452724-8	CARBURETOR MOUNT	1	1		
2	87	424397-7	SUCTION LINE	1	1		
2	88	346495-6	HOSE CLAMP 30	1	1		

Products with multiple versions are listed in subsiding order with the newest version on top not indented.

Section	Fig. No.	Part No.	Description	EK7651H	EK7651HD	Tech Bulletin	Notes
2	94	345918-1	HOSE CLAMP	1	1		
2	95	422078-7	TUBE 5-70	1	1		
2	96	345918-1	HOSE CLAMP	1	1		
2	97	422076-1	TUBE 3-170	1	1		
2	260	424316-3	CHECK VALVE	1	1		
2	261	166106-5	DUST BAG	1	1		
2	A04	198172-4	PRE FILTER SET	1	1		
2	A04	195945-6	PRE FILTER SET	1	1		
2	A05	195599-9	FILTER SET (5+1), EK7651H	1	1		Includes A04, 261, 62



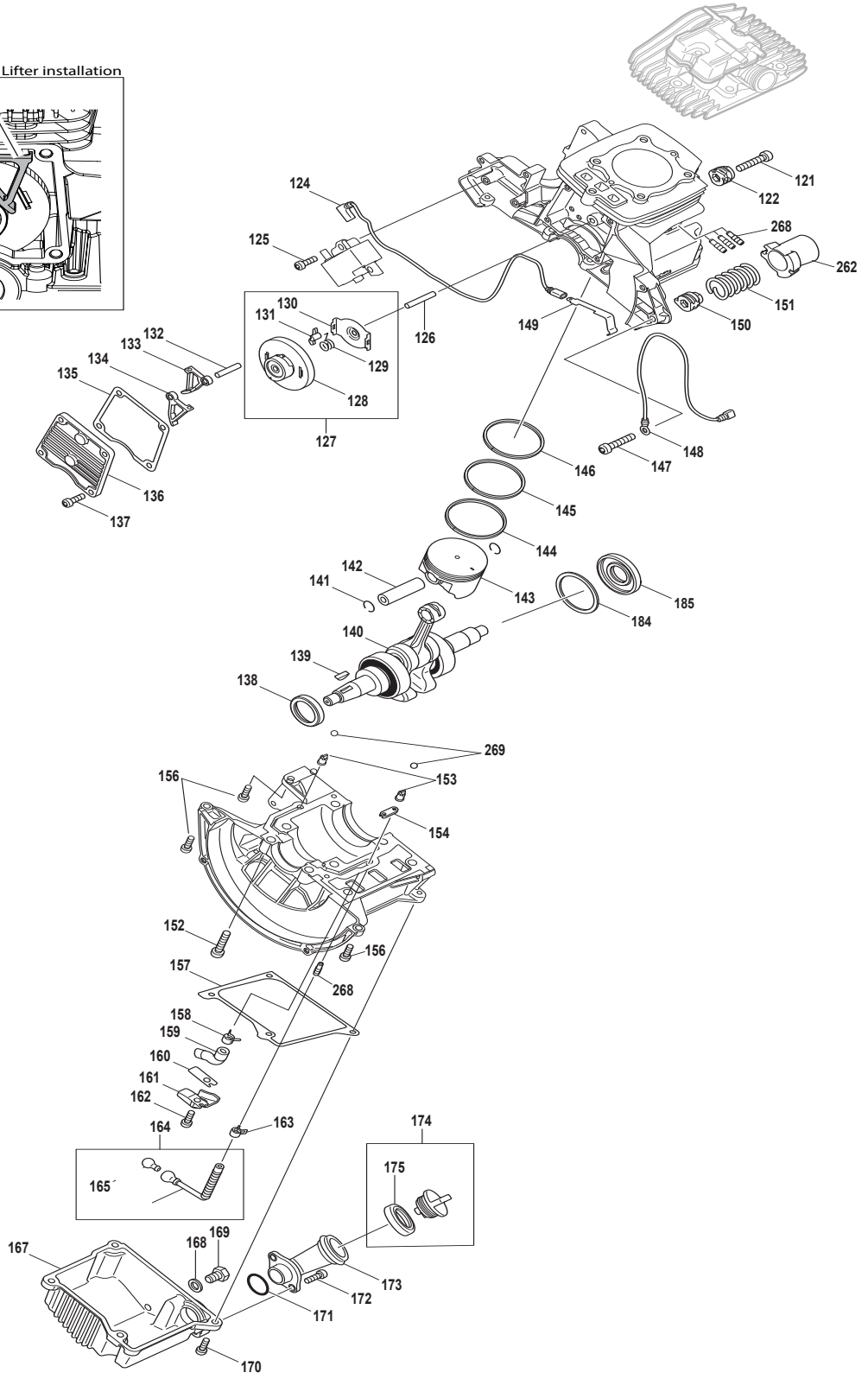
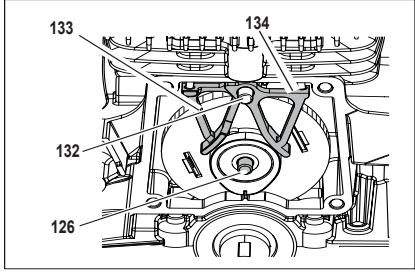
Products with multiple versions are listed in subsiding order with the newest version on top not indented.

Section	Fig. No.	Part No.	Description	EK7651H	EK7651HD	Tech Bulletin	Notes
3	89	266654-5	H.L. SOCKET HEAD BOLT M5X25	2	2		
3	90	140898-4	ROCKER COVER COMPLETE	1	1		
3	91	422073-7	TUBE 3-8	1	1		
3	92	318708-5	ROCKER COVER	1	1		
3	93	452726-4	OIL LINE	1	1		
3	94	345918-1	HOSE CLAMP	1	1		
3	95	422078-7	TUBE 5-70	1	1		
3	96	345918-1	HOSE CLAMP	1	1		
3	97	422076-1	TUBE 3-170	1	1		
3	98	126006-1	IGNITION COIL ASSEMBLY	1	1		
3	99	424105-6	PLUG CAP	1	1		
3	100	125920-8	IGNITION COIL	1	1		
3	101	326148-3	PLUG CAP SPRING	1	1		
3	102	168652-4	SPARK PLUG CMR6H, EK7651H	1	1		
3	103	135785-0	CYLINDER HEAD ASSEMBLY	1	1	B2909	interchangeable as a set with fig .110 - 161301-2
3	103	125946-0	CYLINDER HEAD ASSEMBLY	1	1		
3	104	140928-1	CYLINDER HEAD COMPLETE	1	1		
3	105	331969-0	VALVE GUIDE	2	2		
3	106	424424-0	VALVE STEM SEAL	1	1		
3	107	266660-0	H.L. SOCKET HEAD BOLT M6X35	5	5		
3	108	234212-5	COMPRESSION SPRING 11	2	2		
3	109	331966-6	RETAINER	2	2		
3	110	161301-2	ROCKER COVER GASKET	1	1	B2909	interchangeable as a set with fig .103 - 135785-0
3	110	346400-3	ROCKER COVER GASKET	1	1		
3	111	331937-3	EXHAUST PORT SPACER	1	1		
3	112	135785-0	CYLINDER HEAD ASS'Y	1	1		
3	112	268310-3	PIN 5	1	1		
3	112	256201-0	PIN 5	1	1		
3	113	346399-2	MUFFLER GASKET	1	1		
3	114	168638-8	EXHAUST MUFFLER	1	1		
3	115	266693-5	H.L. SOCKET HEAD BOLT M6X20	3	3		
3	116	126005-3	ROCKER ARM ASSEMBLY	2	2		
3	117	256526-2	PUSH ROD	2	2		

Products with multiple versions are listed in subsiding order with the newest version on top not indented.

Section	Fig. No.	Part No.	Description	EK7651H	EK7651HD	Tech Bulletin	Notes
3	118	442167-2	CYLINDER HEAD GASKET	1	1		
3	119	331965-8	EXHAUST VALVE	1	1		
3	120	331964-0	INTAKE VALVE	1	1		
3	265	331967-4	COTTER	4	4		
3	266	346589-7	MUFFLER GUARD	1	1		
3	267	266782-6	H.L.S. HEAD BOLT M5X16 WITH WG	2	2		

Side view of Cam Gear and Cam Lifter installation



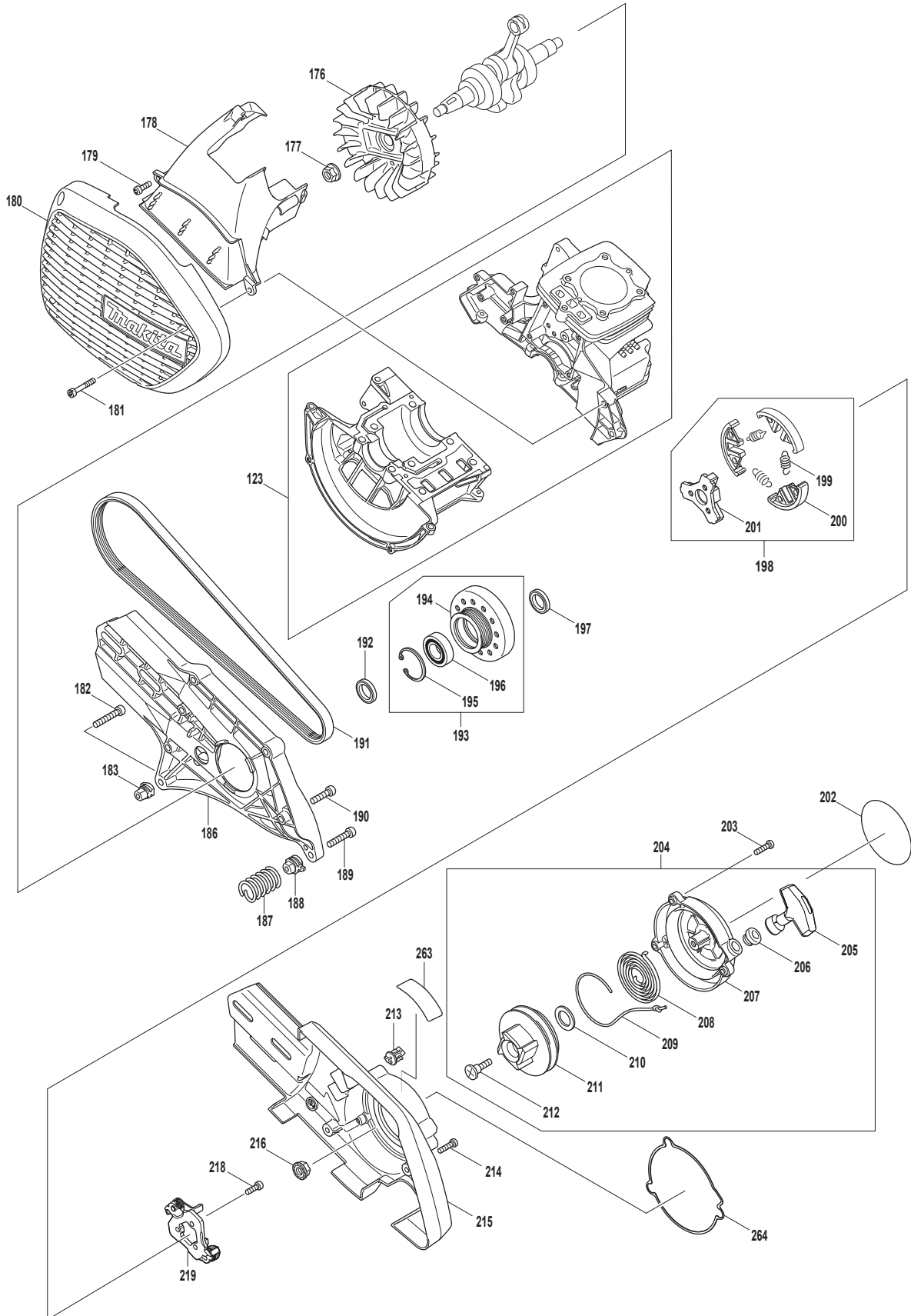
400

Products with multiple versions are listed in subsiding order with the newest version on top not indented.

Section	Fig. No.	Part No.	Description	EK7651H	EK7651HD	Tech Bulletin	Notes
4	121	266659-5	H.L. SOCKET HEAD BOLT M6X30	1	1		
4	122	318729-7	CENTER INNER HOLDER	1	1		
4	124	638776-5	LEAD UNIT	1	1		
4	125	266652-9	H.L. SOCKET HEAD BOLT M5X16	2	2		
4	126	256200-2	PIN 5	1	1		
4	127	123299-1	CAM GEAR ASS'Y, EK7651H	1	1	A5725	
4	127	125934-7	CAM GEAR ASSEMBLY	1	1		
4	128	140817-0	CAM GEAR COMPLETE	1	1		
4	129	233623-1	TORSION SPRING 9	1	1	A5725	
4	129	233582-9	TORSION SPRING 9	1	1		
4	130	346434-6	CAM GEAR PLATE	1	1		
4	131	318707-7	FLY WEIGHT	1	1		
4	132	256186-0	PIN 5	1	1		
4	133	313209-8	CAM LIFTER L	1	1		
4	134	313210-3	CAM LIFTER R	1	1		
4	135	442168-0	CAM GEAR GASKET	1	1		
4	136	318725-5	CAM GEAR COVER	1	1		
4	137	266652-9	H.L. SOCKET HEAD BOLT M5X16	4	4		
4	138	213599-8	OIL SEAL(S)	1	1		
4	139	254001-2	WOODRUFF KEY 4	1	1		
4	140	140900-3	CRANKSHAFT COMPLETE	1	1		
4	141	233995-4	RING SPRING 12	2	2		
4	142	326039-8	PISTON PIN	1	1		
4	143	318726-3	PISTON	1	1		
4	144	257332-8	SECOND RING	1	1		
4	145	257333-6	OIL RING	1	1		
4	146	257331-0	TOP RING	1	1		
4	147	266659-5	H.L. SOCKET HEAD BOLT M6X30	1	1		
4	148	638777-3	LEAD UNIT	1	1		
4	149	232268-2	CONTACT SPRING	1	1		
4	150	318730-2	REAR OUTER HOLDER	1	1		
4	151	234214-1	COMPRESSION SPRING 16	1	1		
4	152	266659-5	H.L. SOCKET HEAD BOLT M6X30	8	8		
4	153	424201-0	CHECK VALVE	2	2		

Products with multiple versions are listed in subsiding order with the newest version on top not indented.

Section	Fig. No.	Part No.	Description	EK7651H	EK7651HD	Tech Bulletin	Notes
4	154	424406-2	GROMMET	1	1		
4	156	266652-9	H.L. SOCKET HEAD BOLT M5X16	3	3		
4	157	452738-7	OIL CASE GASKET	1	1		
4	158	345918-1	HOSE CLAMP	1	1		
4	159	422084-2	TUBE 5-55	1	1		
4	160	346398-4	LEAD VALVE	1	1		
4	161	318709-3	RETAINER PLATE	1	1		
4	162	266652-9	H.L. SOCKET HEAD BOLT M5X16	1	1		
4	163	345918-1	HOSE CLAMP	1	1		
4	164	168655-8	OIL TUBE COMPLETE	1	1		
4	165	326177-6	OIL WEIGHT	1	1		
4	166	424384-6	OIL TUBE	1	1		
4	167	318710-8	OIL CASE	1	1		
4	168	346452-4	GASKET	1	1		
4	169	921412-3	HEX. BOLT M8X12	1	1		
4	170	266652-9	H.L. SOCKET HEAD BOLT M5X16	4	4		
4	171	213548-5	O-RING 20	1	1		
4	172	266862-8	H.L.S.H. BOLT M5X16 WITH WR	2	2		
4	173	452614-5	OIL PIPE	1	1		
4	174	140899-2	OIL CAP COMPLETE	1	1		
4	175	424421-6	OIL CAP GASKET	1	1		
4	262	424499-9	RUBBER SLEEVE 22	1	1		
4	268	325665-0	JOINT PIPE	4	4		
4	269	331897-9	BALL	2	2		
4	400	123578-7	SHORT BLOCK	1	1		

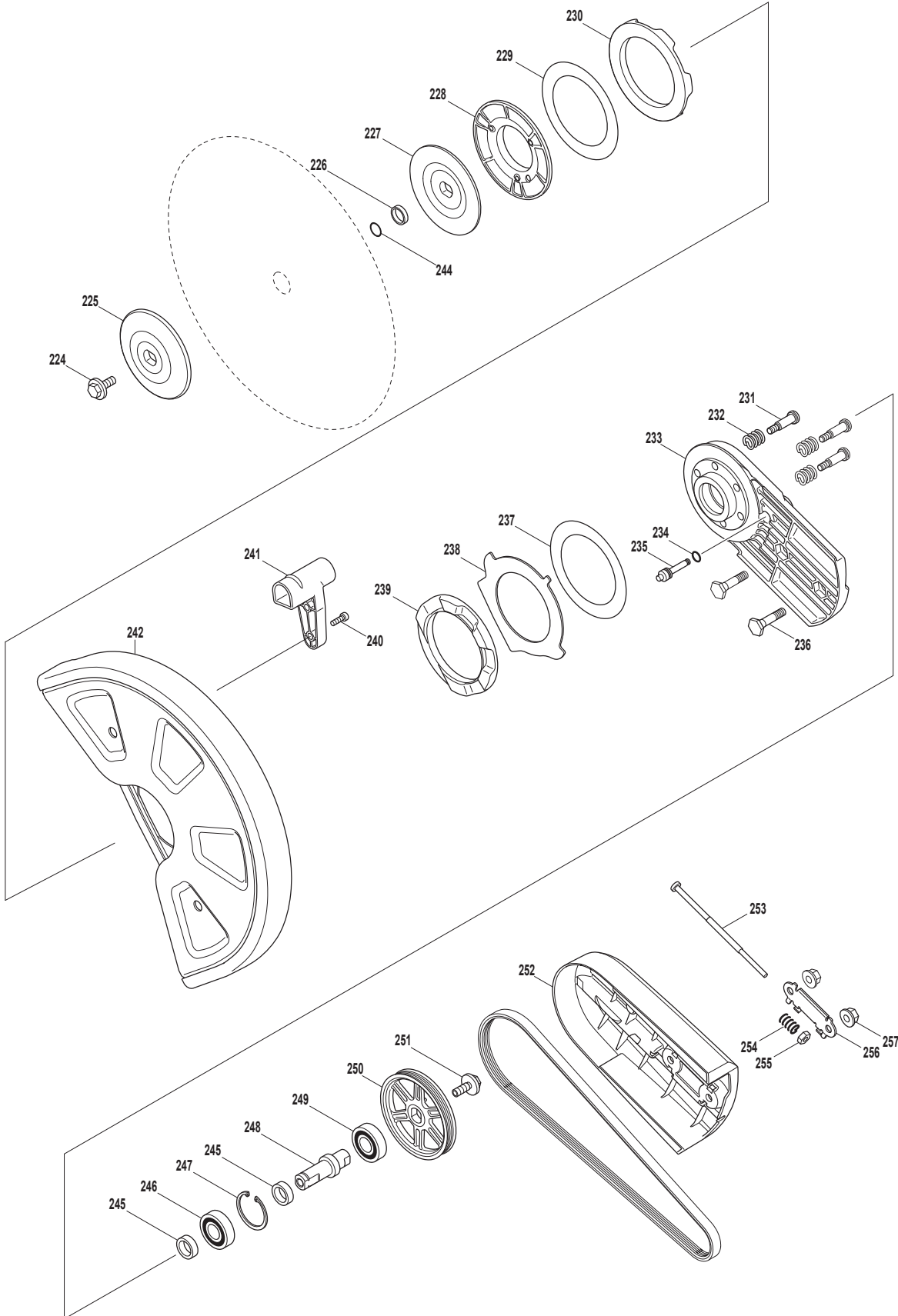


Products with multiple versions are listed in subsiding order with the newest version on top not indented.

Section	Fig. No.	Part No.	Description	EK7651H	EK7651HD	Tech Bulletin	Notes
5	123	140901-1	CYLINDER BLOCK COMPLETE	1	1		
5	176	318704-3	FRYWHEEL	1	1		
5	177	264054-3	FLANGE NUT M10	1	1		
5	178	452617-9	CYLINDER COVER	1	1		
5	179	266652-9	H.L. SOCKET HEAD BOLT M5X16	1	1		
5	180	452616-1	FAN COVER	1	1		
5	181	266655-3	H.L. SOCKET HEAD BOLT M5X30	4	4		
5	182	266659-5	H.L. SOCKET HEAD BOLT M6X30	1	1		
5	183	318728-9	FRONT OUTER HOLDER	1	1		
5	184	267448-1	FLAT WASHER 41	1	1		
5	185	213598-0	OIL SEAL(L)	1	1		
5	186	318711-6	CUTTING ARM	1	1		
5	187	234214-1	COMPRESSION SPRING 16	1	1		
5	188	318730-2	REAR OUTER HOLDER	1	1		
5	189	266659-5	H.L. SOCKET HEAD BOLT M6X30	1	1		
5	190	266658-7	H.L. SOCKET HEAD BOLT M6X25	5	5		
5	191	225094-6	V BELT 5-800	1	1		
5	192	331970-5	SPACER17	1	1		
5	193	125945-2	CLUTCH DRUM ASSEMBLY	1	1		
5	194	165636-3	CLUTCH DRUM	1	1		
5	195	962163-9	RETAINING RING R-35	1	1		
5	196	210138-5	BALL BEARING 6003LLU	1	1		
5	197	331970-5	SPACER17	1	1		
5	198	168834-8	CLUTCH CPL., EK7651H	1	1	A1475	
5	198	168656-6	CLUTCH COMPLETE	1	1		
5	199	231884-7	TENSION SPRING 6, EK7651H	3	3	A1475	
5	199	231871-6	TENSION SPRING 6	3	3		
5	200	313207-2	CLUTCH SHOE	3	3		
5	201	313208-0	CLUTCH HOLDER	1	1		
5	203	266792-3	H.L. SOCKET HEAD BOLT M5X18	3	3		
5	204	125919-3	STARTER ASSEMBLY	1	1		
5	205	424501-8	STARTER KNOB	1	1		
5	206	332046-1	ROPE GUIDE	1	1		

Products with multiple versions are listed in subsiding order with the newest version on top not indented.

Section	Fig. No.	Part No.	Description	EK7651H	EK7651HD	Tech Bulletin	Notes
5	207	452613-7	STARTER CASE	1	1		
5	208	232262-4	SPIRAL SPRING	1	1		
5	209	444040-2	STARTER ROPE	1	1		
5	210	424500-0	ROPE STOPPER	1	1		
5	211	453466-7	REEL	1	1		
5	212	266634-1	SET SCREW M6X20	1	1		
5	213	452930-5	HOLDER	1	1		
5	214	266851-3	H.L. SOCKET HEAD BOLT M5X20	3	3		
5	214	266653-7	H.L. SOCKET HEAD BOLT M5X20	3	3		
5	215	455559-6	CLUTCH COVER, EK7651H	1	1		
5	215	452621-8	CLUTCH COVER	1	1		
5	216	264080-2	HEX. LOCK NUT M10-17	1	1		
5	218	266784-2	H.L. SOCKET HEAD BOLT M5X12	3	3		
5	219	144100-7	RATCHET COMPLETE	1	1		
5	219	140816-2	RATCHET COMPLETE	1	1		
5	263	800E23-6	CAUTION LABEL	1	1		
5	264	346611-0	STARTER COVER GASKET	1	1		

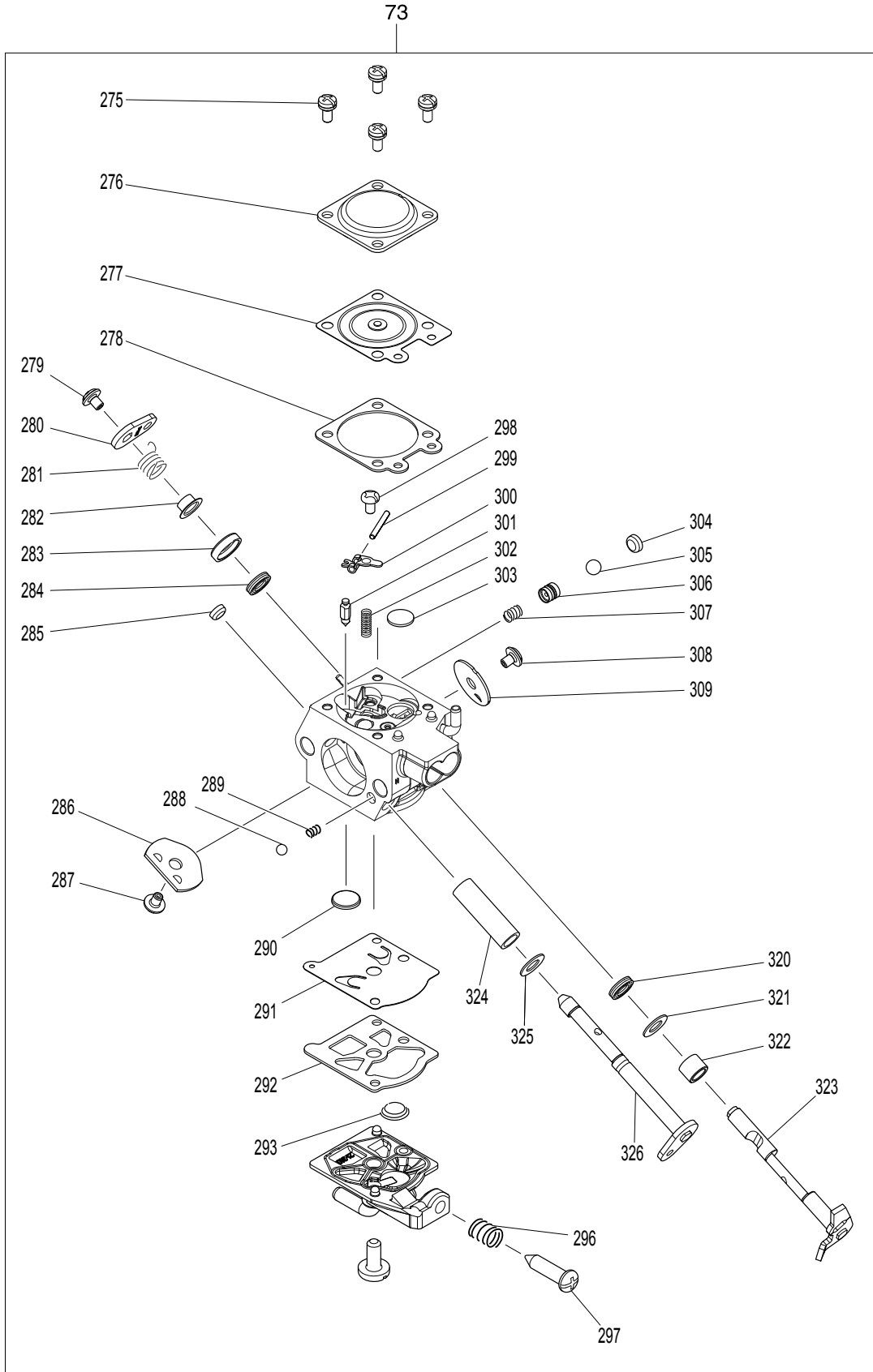


Products with multiple versions are listed in subsiding order with the newest version on top not indented.

Section	Fig. No.	Part No.	Description	EK7651H	EK7651HD	Tech Bulletin	Notes
6	224	266690-1	HEX. BOLT M8X25	1	1		
6	225	224478-5	PRESSURE DISC	1	1		
6	225	224443-4	PRESSURE DISC	1	1		
6	225	326-228-020	PRESSURE DISC	1	1		
6	225	224478-5	FLANGE 102	1	1		
6	225	224443-4	FLANGE 102	1	1		
6	226	257312-4	RING 17mm TO 20mm	1	A0449		REPLACED BY 326379-4 FIG 248
6	226	257314-0	RING 17mm TO 1"	1	A0449		REPLACED BY 326380-9 FIG 248
6	227	224478-5	PRESSURE DISC	1	1		
6	227	224443-4	PRESSURE DISC	1	1		
6	227	326-228-020	PRESSURE DISC	1	1		
6	227	224478-5	FLANGE 102	1	1		
6	227	224443-4	FLANGE 102	1	1		
6	228	318746-7	PRESSURE RING	1	1		
6	229	442169-8	SLIDING DISC	1	1		
6	230	424426-6	RUBBER RING(INNER)	1	1		
6	231	266689-6	H.L.COLLRAR BOLT M6	3	3		
6	232	234216-7	COMPRESSION SPRING 8	3	3		
6	233	318722-1	CUTTING DEVICE	1	1		
6	234	213625-3	O-RING 9	1	1		
6	235	326038-0	LOCK SHAFT	1	1		
6	236	266688-8	HEX. BOLT M8	2	2		
6	237	442169-8	SLIDING DISC	1	1		
6	238	346455-8	IMPACT PLATE	1	1		
6	239	424427-4	RUBBER RING(OUTER)	1	1		
6	240	266725-8	H.L.SOCKET HEAD BOLT M5X16	2	2		
6	241	452938-9	GRIP	1	1		
6	242	142880-9	HOOD COMPLETE	1	1		
6	242	140926-5	HOOD COMPLETE	1	1		
6	244	213162-7	O RING 14	1	1	A0449	
6	245	257971-4	RING 17	2	2		
6	246	211490-4	BALL BEARING 6203LLU	1	1		

Products with multiple versions are listed in subsiding order with the newest version on top not indented.

Section	Fig. No.	Part No.	Description	EK7651H	EK7651HD	Tech Bulletin	Notes
6	246	211281-3	BALL BEARING 6203LLU	1	1		
6	247	962157-4	RETAINING RING R-40	1	1		
6	248	326379-4	SPINDLE 20MM, EK7651H	1	A0449		EK7651H (20mm Arbor)
6	248	326380-9	SPINDLE 1", EK7651HD		1 A0449		EK7651HD (1" Arbor)
6	249	211490-4	BALL BEARING 6203LLU	1	1		
6	249	211281-3	BALL BEARING 6203LLU	1	1		
6	250	222174-9	V PULLEY 5-95.8	1	1		
6	251	266690-1	HEX. BOLT M8X25	1	1		
6	252	455936-2	BELT COVER	1	1		
6	252	452698-3	BELT COVER	1	1		
6	253	266691-9	TENSIONING SCREW M6	1	1		
6	254	234215-9	COMPRESSION SPRING 6	1	1		
6	255	252157-5	SQUARE NUT M6	1	1		
6	256	346457-4	PLATE	1	1		
6	257	264081-0	HEX. NUT M8	2	2		



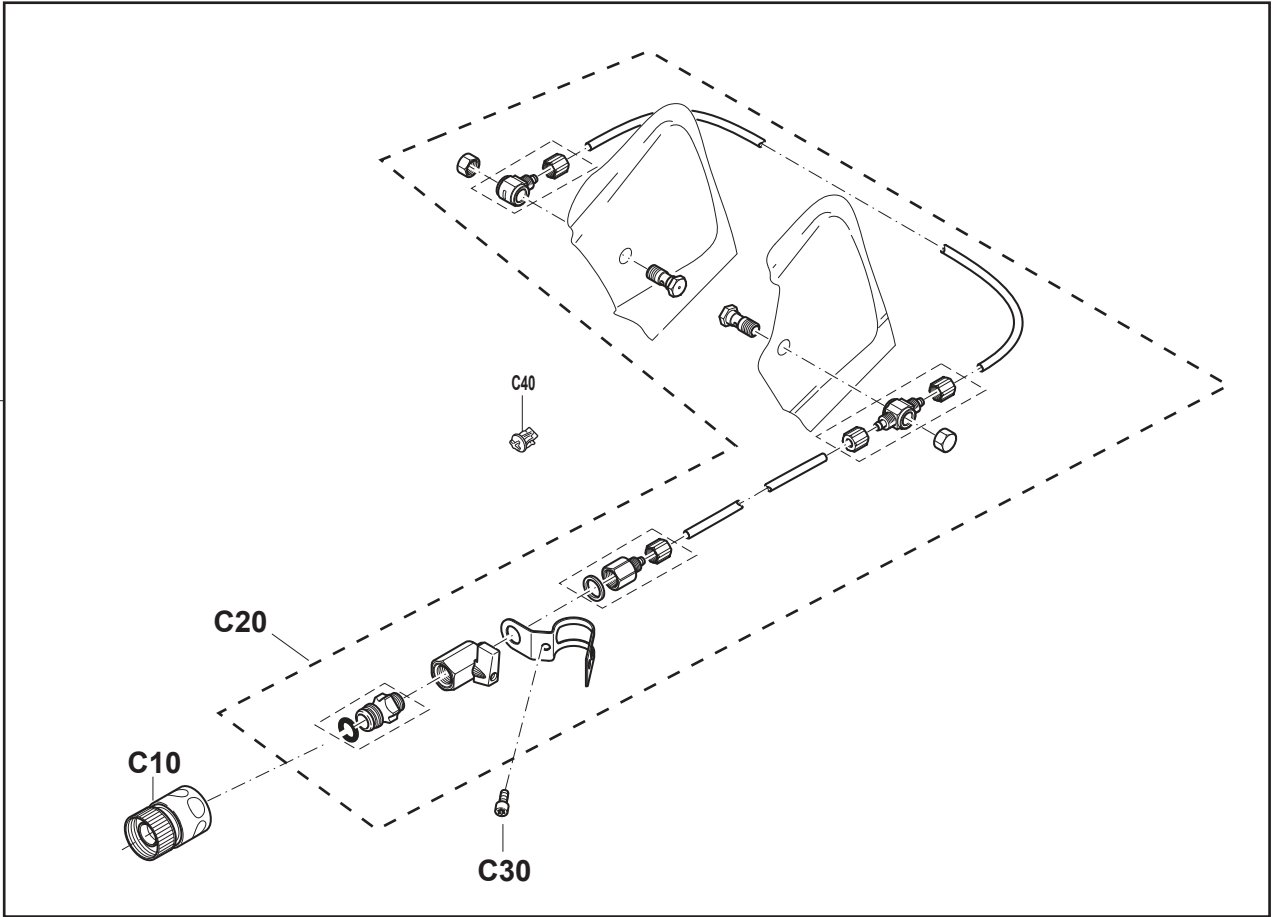
Products with multiple versions are listed in subsiding order with the newest version on top not indented.

Section	Fig. No.	Part No.	Description	EK7651H	EK7651HD	Tech Bulletin	Notes
7	73	168815-2	CARBURETOR	1	1		
7	275	WJ00096589	SCREW ASSEMBLY	4	4		
7	276	141943-8	METERING COVER ASSEMBLY	1	1		
7	277	168620-7	METERING DIAPHRAGM	1	1		
7	278	442183-4	METERING DIAPHRAGM GASKET	1	1		
7	279	WJ00096475	SCREW	1	1		
7	280	WJ00183498	THROTTLE LEVER	1	1		
7	281	WJ00983707	SPRING	1	1		
7	282	WJ00014886	BUSHING	1	1		
7	283	WJ00148545	BUSHING	1	1		
7	284	WJ00015631	SEAL-THROTTLE SHAFT	1	1		
7	285	WJ00088119	PLUG CAP	1	1		
7	286	WJ00343480	VALVE-CHOKE	1	1		
7	287	WJ00096475	SCREW	1	1		
7	288	580-61222-20	BALL	1	1		
7	289	580-61222-10	SPRING	1	1		
7	290	352010-6	INLET SCREEN	1	1		
7	291	WJ00009589	DIAPHRAGM-PUMP	1	1		
7	292	WJ00092225	PUMP GASKET	1	1		
7	292	442192-3	PUMP GASKET	1	1		
7	293	234183-6	CONICAL COMPRESSION SPRING 5-9	1	1		
7	295	WJ00096166	SCREW	1	1		
7	296	510-60452-50	SPRING	1	1		
7	297	WJ00096368	IDLE ADJUST SCREW	1	1		
7	298	501-60041-10	SCREW	1	1		
7	299	WJ00014477	PIN-METERING LEVER	1	1		
7	300	WJ00016648	LEVER	1	1		
7	301	WJ00008282	VALVE-INLET NEEDLE	1	1		
7	302	234277-7	COMPRESSION SPRING 3	1	1		
7	303	541-60361-60	PLUG-WELCH	1	1		
7	304	WJ00088229	PLUG-CUP	1	1		
7	305	WJ00008995	BALL	1	1		
7	306	WJ00160580	PISTON ASSEMBLY ACCELERATOR	1	1		

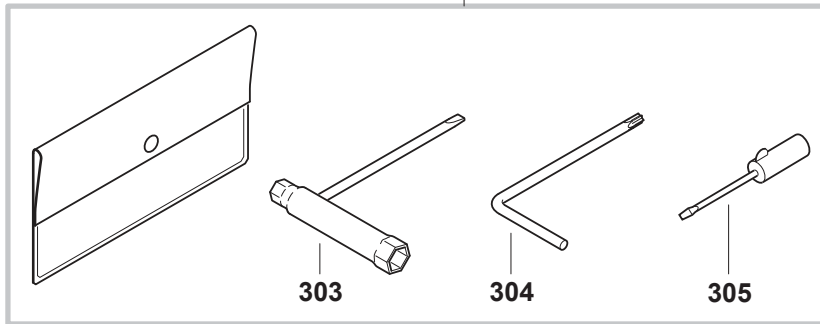
Products with multiple versions are listed in subsiding order with the newest version on top not indented.

Section	Fig. No.	Part No.	Description			Tech Bulletin	Notes
				EK7651H	EK7651HD		
7	307	WJ00983164	SPRING	1	1		
7	308	WJ00096475	SCREW	1	1		
7	309	580-61222-60	THROTTLE VALVE	1	1		
7	320	WJ01023748	SEAL THROTTLE SHAFT	1	1		
7	321	WJ00136194	WASHER	1	1		
7	322	WJ00014896	SPACER-THROTTLE LEVER	1	1		
7	323	WJ00224273	SHAFT ASSEMBLY-THROTTLE	1	1		
7	324	WJ00148542	SLEEVE-CHOKE	1	1		
7	325	WJ00136231	WASHER	1	1		
7	326	WJ00224210	SHAFT ASSEMBLY-CHOKE	1	1		

A03



300



Products with multiple versions are listed in subsiding order with the newest version on top not indented.

Section	Fig. No.	Part No.	Description			Tech Bulletin	Notes
				EK7651H	EK7651HD		
8	300	195488-8	TOOL KIT	1	1		
8	303	782236-0	WRENCH 13-16	1	1		
8	304	782025-3	TORX WRENCH	1	1		
8	305	783012-5	SCREWDRIVER	1	1		
8	A03	195533-9	WATER SET	1	1		
8	C10	123120-4	COUPLING SLEEVE	1	1		
8	C20	126068-9	WATER SET PART	1	1		
8	C30	266707-0	H.L.SOCKET HEAD BOLT M5X10	1	1		
8	C40	452930-5	HOLDER	1	1		