

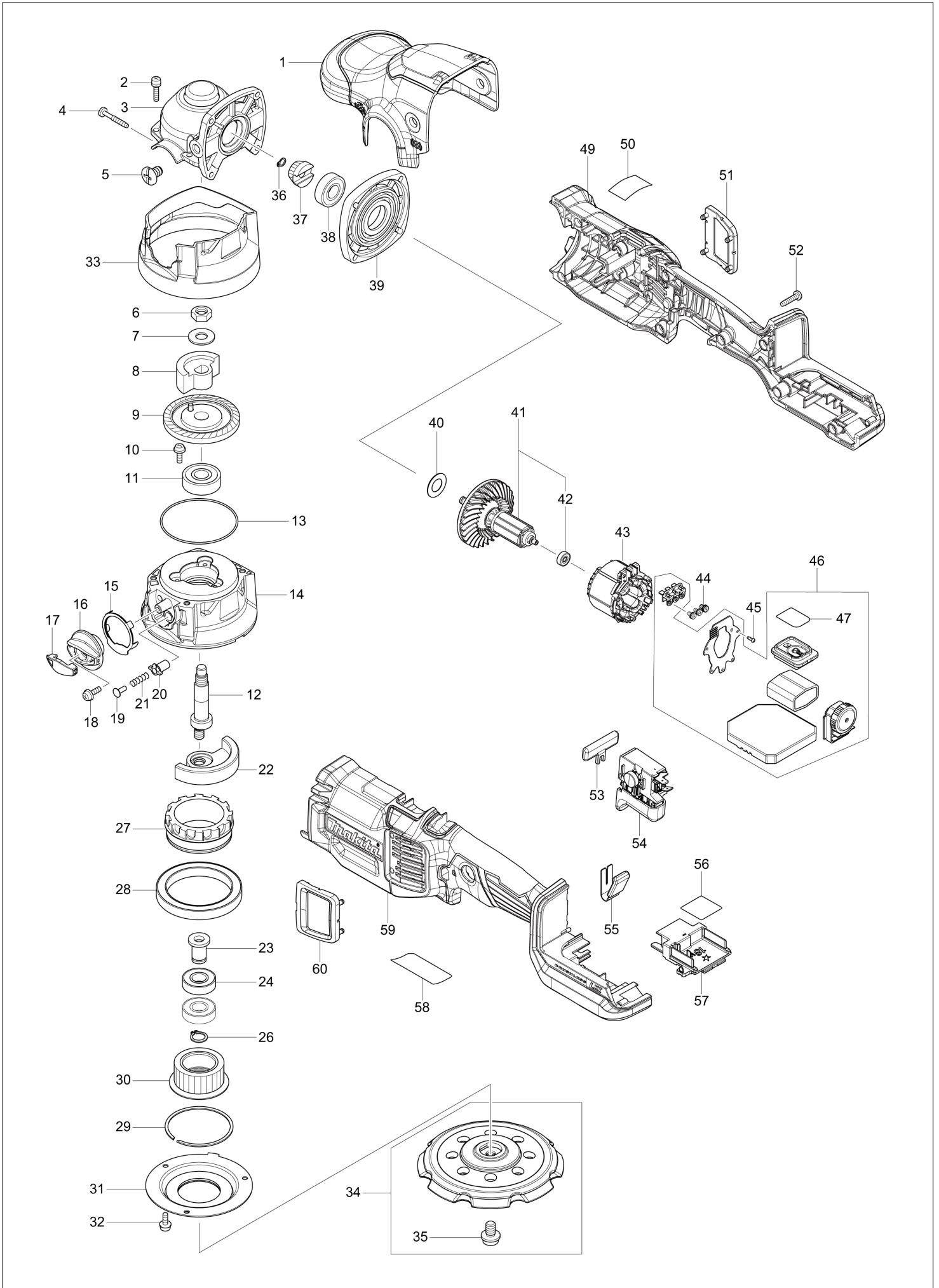
Diagram / Parts List

DPO500

125MM DC RANDOM ORBIT POLISHER



(MX) DPO500 / 125MM DC RANDOM ORBIT POLISER



DPO500 / 125MM DC RANDOM ORBIT POLISHER

| Item | Sub | Parts No. | Parts Description | Qty | I/C | E/C No. | Close No. | Remark |
|-------|-----|-----------|-------------------------------|-----|-----|---------|-----------|--------|
| 001 | | 456805-0 | HEAD COVER | 1 | | | | |
| 002 | | 911126-2 | PAN HEAD SCREW M4X16 | 4 | | | | |
| 003 | | 143783-0 | GEAR HOUSING COMPLETE | 1 | | | | |
| 004 | | 266257-5 | TAPPING SCREW 4X28 | 4 | | | | |
| 005 | | 265083-9 | + FLAT HEAD SCREW M8X11 | 2 | | | | |
| 006 | | 931503-2 | HEX. NUT M10 | 1 | | | | |
| 007 | | 253024-7 | FLAT WASHER 10 | 1 | | | | |
| 008 | | 326735-8 | UPPER BALANCE WEIGHT | 1 | | | | |
| 009 | | 143782-2 | SPIRAL BEVEL GEAR 37 COMPLETE | 1 | | | | |
| 010 | | 911119-9 | PAN HEAD SCREW M4X12 | 3 | | | | |
| 011 | | 211145-1 | BALL BEARING 6201ZZ | 1 | | | | |
| 012 | | 324069-3 | SPINDLE | 1 | | | | |
| 013 | | 213724-1 | O RING 62 | 1 | | | | |
| 014 | | 143784-8 | SKIRT COMPLETE | 1 | | | | |
| 015 | | 153427-4 | DUST SEAL WASHER COMPLETE | 1 | | | | |
| 016 | | 143785-6 | KNOB COMPLETE | 1 | | | | |
| 017 | | 456809-2 | CAP | 1 | | | | |
| 018 | | 911119-9 | PAN HEAD SCREW M4X12 | 1 | | | | |
| 019 | | 417382-7 | SPRING HOLDER | 1 | | | | |
| 020 | | 345209-0 | HOLDER | 1 | | | | |
| 021 | | 231230-4 | COMPRESSION SPRING 4 | 1 | | | | |
| 022 | | 326736-6 | LOWER BALANCE WEIGHT | 1 | | | | |
| 023 | | 324070-8 | SLEEVE | 1 | | | | |
| 024 | | 211131-2 | BALL BEARING 6001DDW | 2 | | | | |
| 026 | | 961052-5 | RETAINING RING S-12 | 1 | | | | |
| 027 | | 221453-2 | INTERNAL SPUR GEAR 29 | 1 | | | | |
| 028 | | 210146-6 | BALL BEARING 6811LLB | 1 | | | | |
| 029 | | 257933-2 | STOP RING (EXT) WR-55 | 1 | | | | |
| 030 | | 143790-3 | SPUR GEAR 26 COMPLETE | 1 | | | | |
| 031 | | 143938-7 | BEARING RETAINER 80 COMPLETE | 1 | | | | |
| 032 | | 911119-9 | PAN HEAD SCREW M4X12 | 3 | | | | |
| 033 | | 456806-8 | BUMPER | 1 | | | | |
| 034 | | 197923-2 | PAD 125 SET | 1 | | | | |
| | D10 | | INC. 35 | | | | | |
| 035 | | 266270-3 | HEX.SOCKET HEAD BOLT M8X14 | 1 | | | | |
| 036 | | 961002-0 | RETAINING RING S-6 | 1 | | | | |
| 037 | | 221450-8 | SPIRAL BEVEL GEAR 10 | 1 | | | | |
| 038 | | 211142-7 | BALL BEARING 6001LLB | 1 | | | | |
| 039 | | 317359-1 | GEAR HOUSING COVER | 1 | | | | |
| 040 | | 253084-9 | FLAT WASHER 12 | 1 | | | | |
| 041 | | 519547-8 | ROTOR ASSY | 1 | | | | |
| | D10 | | INC. 42 | | | | | |
| 042 | | 210036-3 | BALL BEARING 604ZZ | 1 | | | | |
| 043 | | 629391-6 | STATOR | 1 | | | | |
| 044 | | 652069-6 | FLAT HEAD SCREW M3X6 | 3 | | | | |
| 045 | | 266490-9 | TAPPING SCREW PT 2X6 | 3 | | | | |
| 046 | | 620A17-9 | CONTROLLER COMPLETE | 1 | | | | |
| | D10 | | INC. 47 | | | | | |
| 047 | | 818M11-7 | SWITCH LABEL | 1 | | | | |
| 049 | | 183K93-9 | MOTOR HOUSING SET | 1 | | | | |
| | C10 | 263005-3 | RUBBER PIN 6 | 2 | | | | |
| | D10 | | INC. 59 | | | | | |
| 050 | | 818M10-9 | INDICATION LABEL | 1 | | | | |
| 051 | | 422380-8 | DUST COVER | 1 | | | | |
| 052 | | 265995-6 | TAPPING SCREW 4X18 | 10 | | | C7193 | |
| 052-1 | | 265A48-7 | TAPPING SCREW 4X18 | 10 | O | C7193 | | |
| 053 | | 458972-7 | LOCK OFF BUTTON | 1 | | | | |
| 054 | | 651381-1 | SWITCH C3JW-4B-2L64 | 1 | | | | |
| 055 | | 232494-3 | LEAF SPRING | 1 | | | | |
| 056 | | 855B96-6 | DPO500 SERIAL NO. LABEL | 1 | | | | |
| 057 | | 643874-2 | TERMINAL | 1 | | | | |
| 058 | | 855B93-2 | DPO500 NAME PLATE | 1 | | | | |
| 059 | | 183K93-9 | MOTOR HOUSING SET | 1 | | | | |
| | C10 | 263005-3 | RUBBER PIN 6 | 2 | | | | |
| | D10 | | INC. 49 | | | | | |

B:DPO500RTE(L)

Interchange
O : Yes
X : No
< : the new part can be substituted for the current.
> : the current part can be substituted for the new.
S : Interchangeable as a set.

