



MX

MEXICO

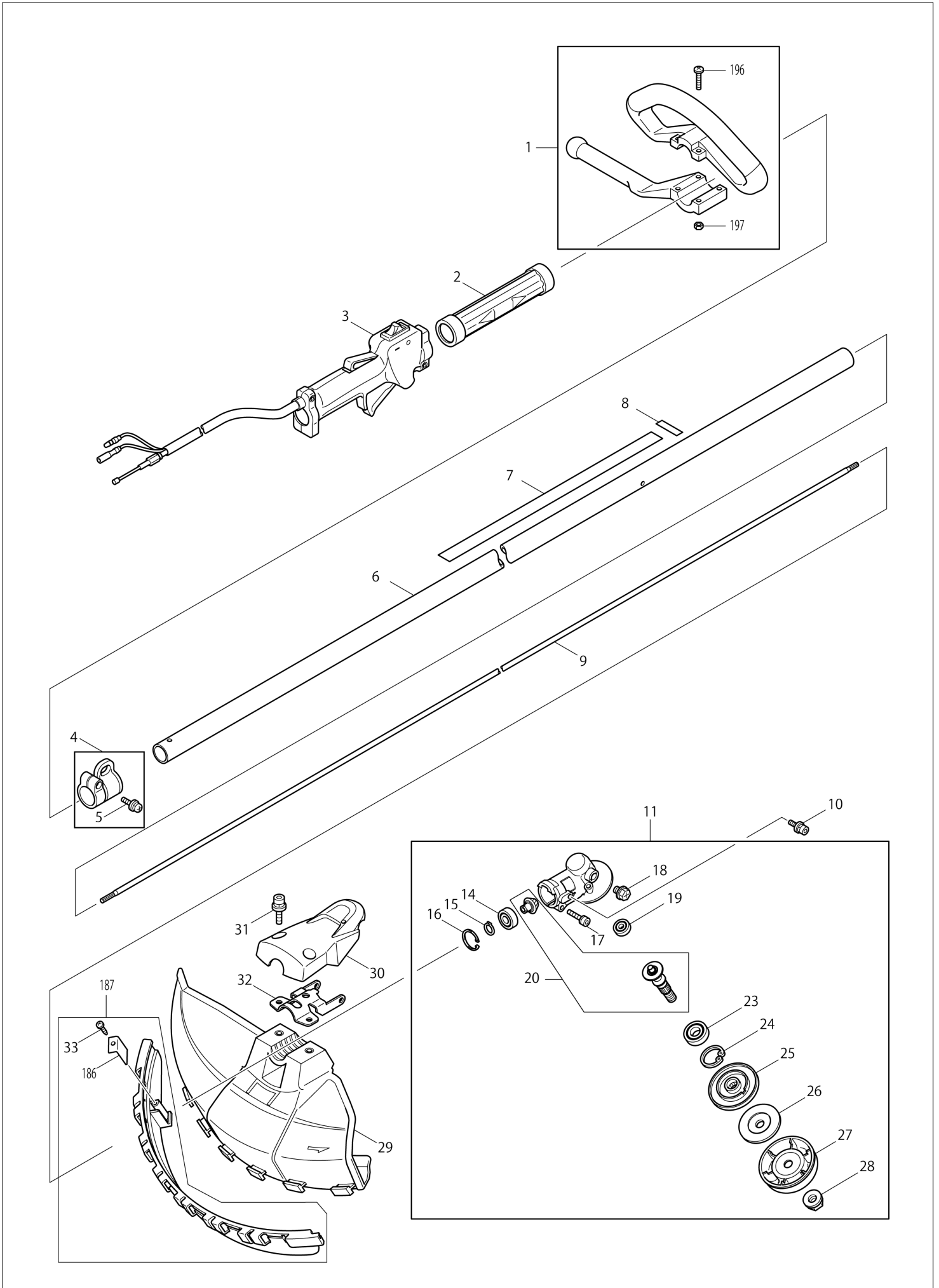
Diagram / Parts List

EBH252L

BRUSH CUTTER

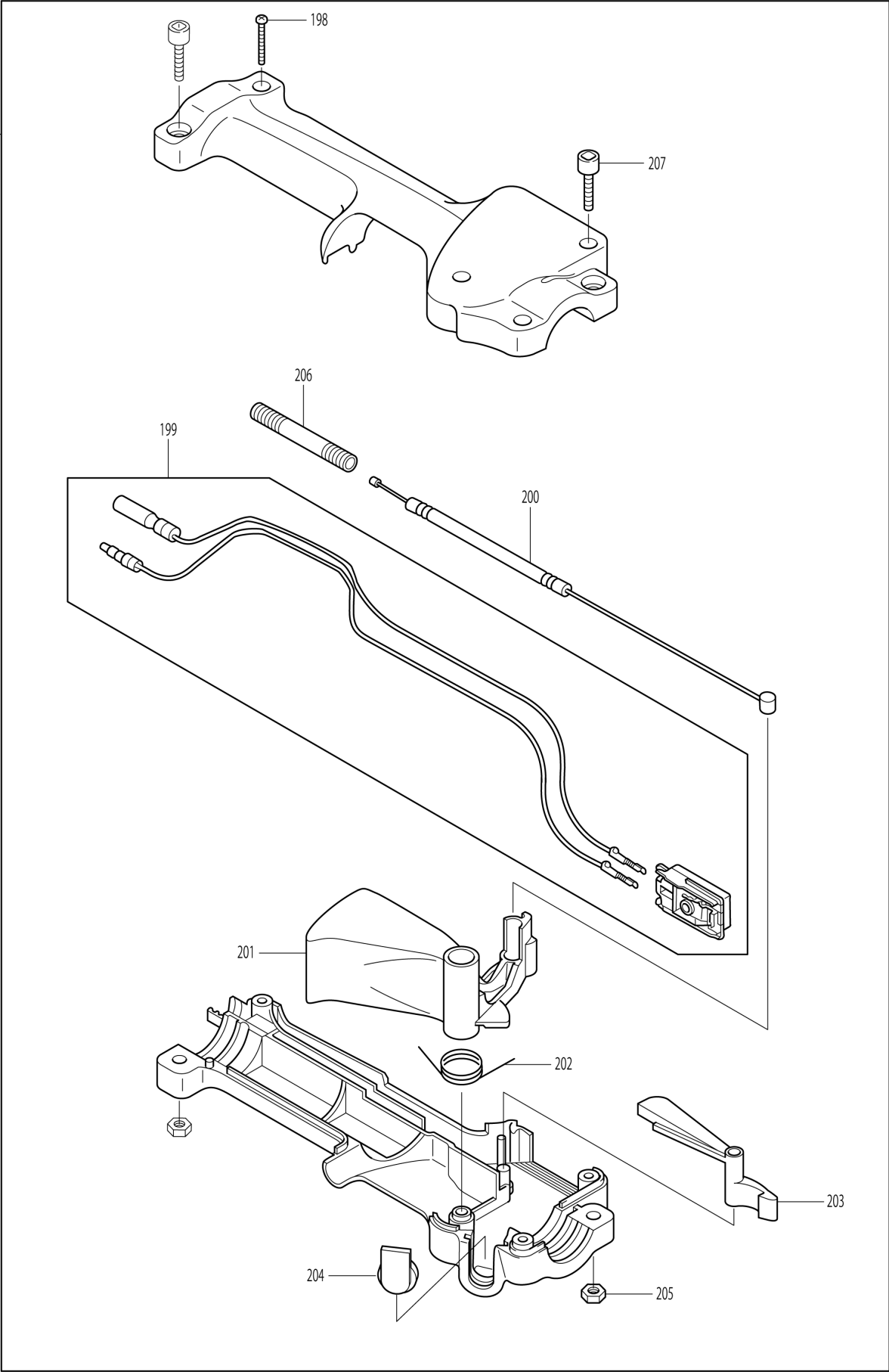


(MX) EBH252L / BRUSH CUTTER

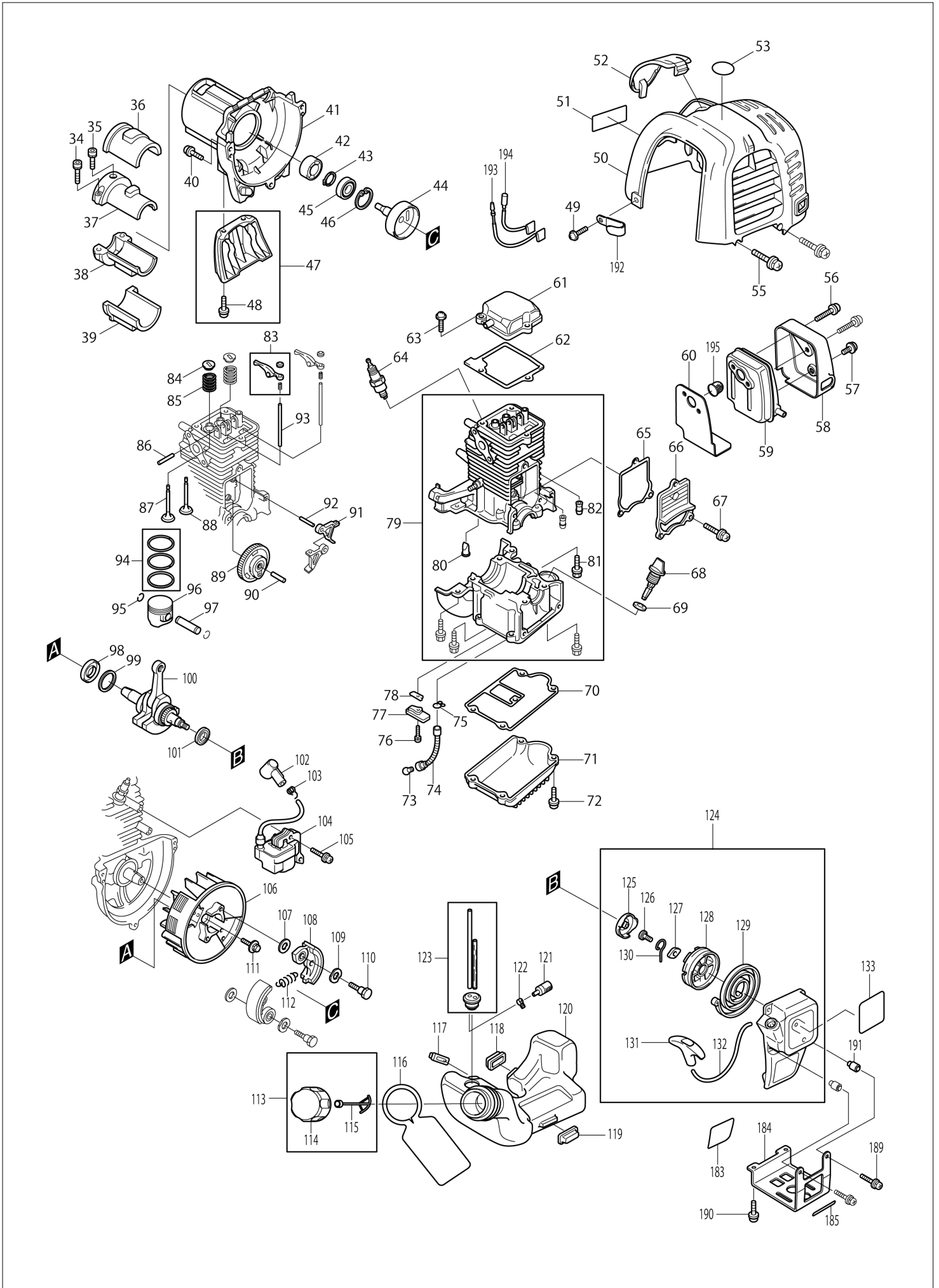


(MX) EBH252L / BRUSH CUTTER

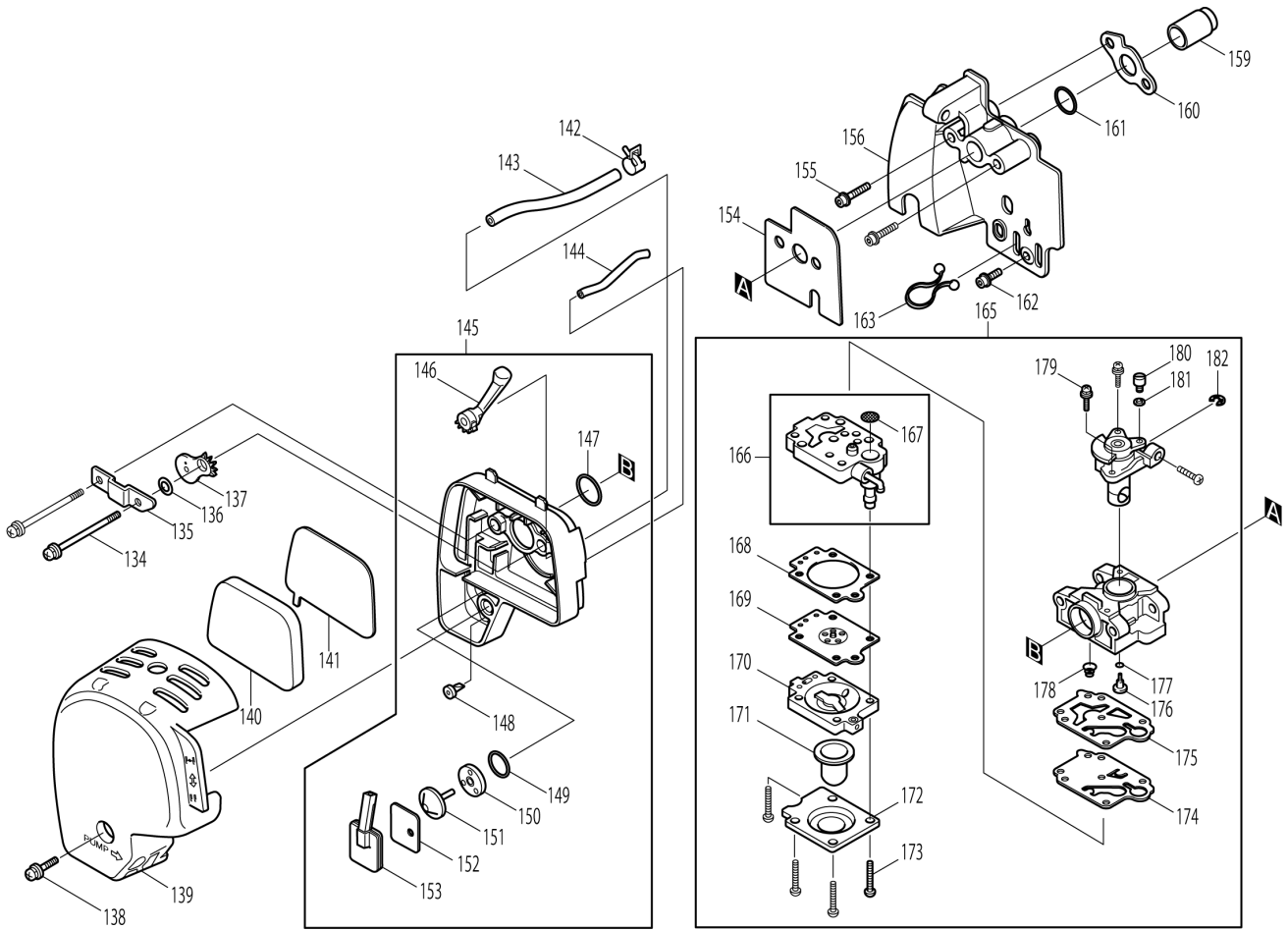
3



(MX) EBH252L / BRUSH CUTTER



(MX) EBH252L / BRUSH CUTTER



MX	MEXICO
-----------	---------------

EBH252L / BRUSH CUTTER

Item	Sub	Parts No.	Parts Description	Qty	I/C	E/C No.	Close No.	Remark
001		125567-8	HANDLE ASSEMBLY	1			87170A	
001-1		195215-3	LOOP HANDLE SET	1	S	87170A	87505	
	D10		INC. 224-226			87170A	87505	
001-2		195215-3	LOOP HANDLE SET	1	<	87505		
	C10	783014-1	+ SCREW DRIVER 2	1		87505		
	D10		INC. 224-226			87505		
002		450659-7	SPACER	1			87170A	
002-1		451601-1	SPACER 24	1	S	87170A		
003		125495-7	CONTROL LEVER ASSEMBLY	1			87170A	
003-1		125759-9	CONTROL LEVER ASSEMBLY	1	S	87170A	A2941	
	D10		INC. 208-223			87170A	A2941	
003-2		126487-9	CONTROL LEVER ASSEMBLY	1	<	A2941		
	D10		INC. 208-223			A2941		
004		195143-2	HANGER SET	1				
	D10		INC. 5					
005		911233-1	PAN HEAD SCREW M5X20	1				
006		140041-5	SHAFT PIPE COMPLETE	1				
007		810569-4	CAUTION LABEL	1			D7694	
007-1		8033T3-9	CAUTION LABEL	1	<	D7694		
008		806904-2	SERIAL NO. LABEL	1			87422	
008-1		819760-1	DATE CODE LABEL	1	<	87422	96364	
008-2		814A82-0	DATE CODE LABEL	1	X	96364	97414	
008-3		814E64-6	SERIAL NO. LABEL	1	<	97414	D7694	
008-4		801D19-4	SERIAL NO. LABEL	1	<	D7694		
009		324893-4	SHAFT	1			B9070	
009-1		327056-1	SHAFT	1	O	B9070		
010		922218-2	H.S.H.BOLT M5X14 WITH WR	2			B2856	
010-1		922206-9	HEX. SOCKET HEAD BOLT M5X10	2	>	B2856		
011		125556-3	GEAR CASE ASSEMBLY	1			B9682	
	D10		INC. 14-20,23-28				B9682	
011-1		123833-7	GEAR CASE ASSEMBLY	1	S	B9682		
	D10		INC. 14-16,18-20,23-28			B9682		
014		210049-4	BALL BEARING 609ZZ	1			B9682	
014-1		210157-1	BALL BEARING 609ZZ	1	O	B9682		
015		961005-4	RETAINING RING S-9	1			B9682	
015-1		257986-1	RETAINING RING (EXT) S-9	1	O	B9682		
016		962103-7	RETAINING RING R-24	1			B9682	
016-1		257987-9	RETAINING RING (INT)R-24	1	O	B9682		
017		922241-7	HEX. SOCKET HEAD BOLT M5X25	1				
018		265590-2	+HEX.BOLT M8X10 WITH R	1				
019		211019-6	BALL BEARING 626	1			87587	
020		188866-9	CUTTER SHAFT SET	1			87587	
020-1		188902-1	CUTTER SHAFT SET	1	S	87587	A4930	
020-2		183A00-2	CUTTER SHAFT SET	1	O	A4930	B9682	
020-3		183K10-9	CUTTER SHAFT SET	1	O	B9682		
023		210115-7	BALL BEARING 6001LLU	1				
024		962106-1	RETAINING RING R-28	1			B9682	
024-1		257407-3	RETAINING RING (INT)R-28	1	O	B9682		
025		331861-0	RECEIVE WASHER	1			B9682	
025-1		326821-5	RECEIVE WASHER	1	O	B9682		
026		346084-7	CLAMP WASHER	1				
027		168526-9	CUP	1				
028		264025-0	HEX. NUT M10-17	1				
029		451098-4	PROTECTOR	1			88011	
029-1		452260-4	PROTECTOR	1	S	88011		
030		451097-6	PROTECTOR COVER	1			B2856	
031		922353-6	HEX.SOCKET HEAD BOLT M6X30	2			87170	
031-1		266579-3	HEX SOCKET HEAD BOLT M6X30	2	<	87170	B2856	
031-2		266280-0	HEX. SOCKET HEAD BOLT M6X25	2	>	B2856		
032		346073-2	PROTECTOR CLAMP	1			B2856	
032-1		347012-5	PROTECTOR CLAMP 24	1	S	B2856		
033		266326-2	TAPPING SCREW 4X18	1				
034		922226-3	HEX. SOCKET HEAD BOLT M5X18	2				
035		922211-6	H.S.H.BOLT M5X12 WITH W	1				
036		424191-7	PIPE DAMPER 1	1				

Interchange
O : Yes
X : No
< : the new part can be substituted for the current.
> : the current part can be substituted for the new.
S : Interchangeable as a set.

MX

MEXICO

EBH252L / BRUSH CUTTER

Item	Sub	Parts No.	Parts Description	Qty	I/C	E/C No.	Close No.	Remark
037		318270-0	PIPE BRACKET 1	1				
038		318271-8	PIPE BRACKET 2	1				
039		424107-2	PIPE DAMPER 2	1				
040		265191-6	PAN HEAD SCREW M5X18	3			85939	
040-1		922222-1	HEX. SOCKET HEAD BOLT M5X16	3	X	85939		
041		318329-3	CLUTCH CASE	1				
042		450569-8	SPACER	1			A1812	
042-1		450569-8	SPACER	1	O	A1812		
043		961052-5	RETAINING RING S-12	1				
044		168475-0	CLUTCH DRUM	1			99822	
044-1		168809-7	CLUTCH DRUM COMPLETE	1	O	99822	B9070	
044-2		168809-7	CLUTCH DRUM COMPLETE	1	O	B9070		
045		210111-5	BALL BEARING 6201LLU	1			Y05608	
045-1		210111-5	BALL BEARING 6201LLU	1	O	Y05608		
046		962151-6	RETAINING RING R-32	1				
047		195144-0	STAND SET	1				
	D10		INC. 48					
048		911218-7	PAN HEAD SCREW M5X14	2				
049		265187-7	PAN HEAD SCREW M5X12	2			87326	
049-1		911213-7	PAN HEAD SCREW M5X12	2	O	87326		
050		450654-7	CYLINDER COVER	1				
051		819312-8	MAKITA LOGO LABEL	1				
052		450568-0	PLUG COVER	1			95539	
052-1		452144-6	PLUG COVER	1	O	95539		
053		808633-3	4STROKE INDICATION LABEL	1			95539	
055		265189-3	PAN HEAD SCREW M4X16	2			87326	
055-1		911128-8	P.H.SCREW M4X16 WITH WR	2	O	87326		
056		266440-4	HEX SOCKET HEAD BOLT M5X40	2				
057		265184-3	+TRUSS HEAD SCREW M5X5	1				
058		345915-7	MUFFLER COVER	1				
059		168469-5	EXHAUST MUFFLER	1				
060		345916-5	MUFFLER GASKET	1				
061		140023-7	ROCKER COVER COMPLETE	1			C2837	
061-1		140B46-7	ROCKER COVER COMPLETE	1	<	C2837		
062		162275-0	ROCKER COVER GASKET	1				
063		266494-1	+ PAN HEAD SCREW M5X16	3			85939	
063-1		922223-9	H.S.H.BOLT M5X16 WITH WR	3	X	85939		
064		168534-0	SPARK PLUG	1				
065		162274-2	CAM GEAR COVER GASKET	1				
066		318443-5	CAM GEAR COVER	1				
067		911218-7	PAN HEAD SCREW M5X14	3			85939	
067-1		266495-9	HEX.SOCKET HEAD BOLT M5X14	3	X	85939	88450	
067-2		922217-4	HEX. SOCKET HEAD BOLT M5X14	3	O	88450		
068		450565-6	OIL GAUGE	1				
069		424100-6	GASKET	1				
070		162276-8	CASE GASKET	1				
071		318442-7	OIL CASE	1				
072		265186-9	PAN HEAD SCREW M5X18	4			85939	
072-1		266495-9	HEX.SOCKET HEAD BOLT M5X14	4	X	85939	88450	
072-2		922217-4	HEX. SOCKET HEAD BOLT M5X14	4	O	88450		
073		325666-8	OIL WEIGHT	1				
074		424202-8	OIL TUBE	1				
075		282020-8	HOSE CLAMP	1				
076		266493-3	HEX.SOCKET HEAD BOLT M4X10	1			87326	
076-1		922111-0	HEX. SOCKET HEAD BOLT M4X10	1	O	87326	91157	
076-2		922112-8	HEX. SOCKET HEAD BOLT M4X10	1	O	91157		
077		318440-1	RETAINER PLATE	1				
078		346083-9	LEAD VALVE	1				
079		135375-9	CYLINDER BLOCK ASSEMBLY	1				
	D10		INC. 80-82					
080		424201-0	CHECK VALVE	2				
081		266495-9	HEX.SOCKET HEAD BOLT M5X14	8			88450	
081-1		922217-4	HEX. SOCKET HEAD BOLT M5X14	8	O	88450		
082		424200-2	SPACER	2				
083		125554-7	ROCKER ARM ASSEMBLY	2				

Interchange
O : Yes
X : No
< : the new part can be substituted for the current.
> : the current part can be substituted for the new.
S : Interchangeable as a set.

MX

MEXICO

EBH252L / BRUSH CUTTER

Item	Sub	Parts No.	Parts Description	Qty	I/C	E/C No.	Close No.	Remark
084		325668-4	SPRING RETAINER	2				
085		234108-0	COMPRESSION SPRING 9	2				
086		256200-2	PIN 5	1				
087		325670-7	INTAKE VALVE	1			A2770	
087-1		326367-1	INTAKE VALVE	1	O	A2770		
088		325669-2	EXHAUST VALVE	1			A2770	
088-1		326366-3	EXHAUST VALVE	1	O	A2770		
089		125552-1	CAM GEAR ASSEMBLY	1				
090		268238-5	PIN 5	1				
091		313169-4	CAM LIFTER	2				
092		268239-3	PIN 4	1				
093		256865-0	ROD 2.5	2				
094		195145-8	PISTON RING SET	1			A2770	
094-1		196595-0	PISTON RING SET	1	O	A2770		
095		233976-8	CLIP	2				
096		318441-9	PISTON	1			A9068	
096-1		197453-3	PISTON SET	1	<	A9068		
	C10	318441-9	PISTON	1		A9068		
	D10		INC. 94,95			A9068		
097		257781-9	PISTON PIN	1				
098		213147-3	OIL SEAL 12	1			B2951	
098-1		213089-1	OIL SEAL 12	1	<	B2951		
099		267400-9	FLAT WASHER 23	1				
100		135374-1	CRANKSHAFT ASSEMBLY	1			Y06314	
100-1		135539-5	CRANKSHAFT ASSEMBLY	1	O	Y06314		
101		213148-1	OIL SEAL 10	1			B2951	
101-1		213769-9	OIL SEAL 10	1	<	B2951		
102		424105-6	PLUG CAP	1				
103		324891-8	PLUG CAP SPRING	1				
104		168501-5	IGNITION COIL	1			B1493	
104-1		168816-0	IGNITION COIL	1	S	B1493		
105		911139-3	PAN HEAD SCREW M4X20 WG	2			85939	
105-1		922138-0	H.S.H.BOLT M4X20 WITH WR	2	X	85939		
106		318343-9	FLYWHEEL	1			B1493	
106-1		319012-5	FLYWHEEL	1	O	B1493		
107		267812-6	WASHER 6	2				
108		168498-8	CLUTCH SHOE	2			A6620	
108-1		161332-1	CLUTCH SHOE	2	O	A6620		
109		267817-6	WASHER 8	2				
110		266457-7	SHOULDER HEX. BOLT M6X25	2			98135	
110-1		266864-4	SHOULDER HEX. BOLT M6X25	2	O	98135		
111		265577-4	HEX HEAD BOLT M6X16	1				
112		231858-8	TENSION SPRING 6	1			Y06373	
112-1		231881-3	TENSION SPRING 7	1	<	Y06373		
113		125472-9	FUEL TANK CAP ASSEMBLY	1			C4429	
	D10		INC. 114,115				C4429	
113-1		127108-6	FUEL TANK CAP ASSEMBLY	1	O	C4429		
	D10		INC. 114,115				C4429	
114		140435-4	FUEL TANK CAP	1			C4429	
114-1		127109-4	FUEL TANK CAP ASSEMBLY	1	O	C4429		
115		140436-2	STRAP COMPLETE	1				
116		810455-9	CAUTION PLATE	1				
117		424102-2	PLATE	1				
118		424103-0	PLATE	1				
119		424104-8	DAMPER	1				
120		450566-4	FUEL TANK	1				
121		163447-0	FUEL FILTER	1			B3537	
121-1		163447-0	FUEL FILTER	1	O	B3537		
122		345920-4	HOSE CLAMP	1				
123		168472-6	TUBE COMPLETE	1				
124		195146-6	RECOIL STARTER SET	1				
	D10		INC. 125-132					
125		168483-1	PULLEY	1				
126		266585-8	TAPPING SCREW 5X12	1				
127		451938-6	COLLAR	1				

Interchange
O : Yes
X : No
< : the new part can be substituted for the current.
> : the current part can be substituted for the new.
S : Interchangeable as a set.

MX

MEXICO

EBH252L / BRUSH CUTTER

Item	Sub	Parts No.	Parts Description	Qty	I/C	E/C No.	Close No.	Remark
128		451937-8	REEL	1				
129		232258-5	SPIRAL SPRING	1				
130		325923-4	SWING ARM	1				
131		424319-7	STARTER KNOB	1				
132		444019-3	STARTER ROPE	1				
133		809114-0	EBH252L MODEL NO. LABEL	1				
134		265188-5	+PAN HEAD SCREW M5X68	2				
135		345919-9	PLATE	1				
136		423376-2	GASKET	1				
137		450560-6	CHOKE PLATE	1				
138		911218-7	PAN HEAD SCREW M5X14	1				
139		450561-4	AIR CLEANER COVER	1				
140		443141-3	AIR CLEANER ELEMENT	1				
141		443140-5	AIR CLEANER ELEMENT	1				
142		345918-1	HOSE CLAMP	1				
143		422041-0	BREATHER PIPE	1				
144		422042-8	PIPE	1				
145		125468-0	CLEANER PLATE ASSEMBLY	1			B8647	
	C10	140814-6	AIR CLEANER PLATE COMPLETE	1		89444	B8647	
	D10		INC. 146-153				B8647	
145-1		123845-0	CLEANER PLATE ASSEMBLY	1	O	B8647		
	C10	140814-6	AIR CLEANER PLATE COMPLETE	1		B8647	B8647	
	C11	455407-9	AIR CLEANER PLATE	1	X	B8647		
	D10		INC. 146-153			B8647		
146		451925-5	CHOKE LEVER	1			B8647	
146-1		457241-3	CHOKE LEVER	1	X	B8647		
147		213540-1	O RING 15	1			B8647	
147-1		213094-8	O RING 15	1	X	B8647		
148		424316-3	CHECK VALVE	1			B8647	
148-1		424938-9	CHECK VALVE	1	X	B8647		
149		213539-6	O RING 14	1			B8647	
149-1		213093-0	O RING 14	1	X	B8647		
150		451924-7	CHECK VALVE PLATE	1			B8647	
150-1		457240-5	CHECK VALVE PLATE	1	X	B8647		
151		424315-5	CHECK VALVE	1			B8647	
151-1		424937-1	CHECK VALVE	1	X	B8647		
152		168577-2	SEPARATOR GASKET	1			B8647	
152-1		161572-1	SEPARATOR GASKET	1	X	B8647		
153		168576-4	SEPARATOR PLATE	1			B8647	
153-1		161571-3	SEPARATOR PLATE	1	X	B8647		
154		413121-3	CARBURETOR GASKET	1				
155		922228-9	H.S.H.BOLT M5X18 WITH WR	2				
156		450559-1	INSULATOR	1				
159		324961-3	INTAKE PIPE	1				
160		413120-5	INSULATOR GASKET	1				
161		213078-6	O-RING 10	1				
162		922213-2	H.S.H.BOLT M5X12 WITH WR	1				
163		450562-2	CLAMP	1				
165		168497-0	CARBURETOR	1				
	D10		INC. 166,168-182					
166		140437-0	PUMP BODY	1				
	D10		INC. 167					
167		352010-6	INLET SCREEN	1			Y07179	
167-1		WJ00014070	INLET SCREEN	1	O	Y07179		
168		442154-1	METERING DIAPHRAGM GASKET	1				
169		168574-8	METERING DIAPHRAGM	1			Y07577	
169-1		WJ00963279	SCREW	1	O	Y07577	Y07595	
169-2		WJ00095586	DIAPHRAGM ASS'Y	1	X	Y07595		
170		140438-8	AIR PURGE BODY	1				
171		424314-7	PRIMER PUMP	1				
172		346270-0	PRIMER PUMP COVER	1				
173		266582-4	TAPPING SCREW 3X24	4				
174		168575-6	PUMP DIAPHRAGM	1			Y07366	
174-1		WJ00009599	PUMP DIAPHRAGM	1	O	Y07366		
175		442155-9	PUMP GASKET	1				

Interchange
O : Yes
X : No
< : the new part can be substituted for the current.
> : the current part can be substituted for the new.
S : Interchangeable as a set.

MX

MEXICO

EBH252L / BRUSH CUTTER

Item	Sub	Parts No.	Parts Description	Qty	I/C	E/C No.	Close No.	Remark
176		325924-2	JET	1				
177		213538-8	O RING 2	1				
178		234183-6	CONICAL COMPRESSION SPRING 5-9	1				
179		266581-6	PAN HEAD SCREW M3X8 WITH W	2			Y06995	
179-1		WJ00096364	SCREW M3X8 WITH WASHER	2	O	Y06995		
180		325922-6	SWIVEL	1				
181		413140-9	WASHER	1				
182		257964-1	STOP RING E-3	1				
184		345964-4	TANK GUARD	1				
185		806903-4	SERIAL NO. LABEL	1			87422	
185-1		814998-3	SERIAL LABEL	1	<	87422		
186		346074-0	CUTTER	1			B2856	
186-1		347050-7	CUTTER	1	<	B2856		
187		135361-0	PROTECTOR EXTENSION ASSY	1			88011	
	D10		INC. 33,186				88011	
187-1		135398-7	PROTECTOR EXTENSION ASSY	1	S	88011	B2856	
	D10		INC. 33,186			88011	B2856	
187-2		135753-3	PROTECTOR EXTENSION ASSY	1	<	B2856		
	D10		INC. 33,186			B2856		
189		911148-2	PAN HEAD SCREW M4X25	2				
190		265187-7	PAN HEAD SCREW M5X12	2			87326	
190-1		911213-7	PAN HEAD SCREW M5X12	2	O	87326		
191		331835-1	SPACER	2				
192		345963-6	CLAMP	1				
193		638664-6	LEAD UNIT	1			B1493	
193-1		632E38-3	LEAD UNIT	1	S	B1493		
194		638665-4	LEAD UNIT	1			B1493	
194-1		632E39-1	LEAD UNIT	1	S	B1493		
195		324980-9	SPARK ARRESTER	1				
196		266583-2	PAN HEAD SCREW M5X25	4			87170A	
196-1		266845-8	BINDING HEAD SCREW M5X25	4	O	Y07365	Y07365	
197		264037-3	HEX NUT M5	4			87170A	
197-1		264093-3	HEX. NUT M5	4	O	Y07365	Y07365	
198		266584-0	TAPPING SCREW 4X20	4			87170A	
199		638704-0	SWITCH UNIT	1			87170A	
200		168579-8	CONTROL CABLE	1			87170A	
201		451933-6	LONG LEVER	1			87170A	
202		233568-3	TORSION SPRING	1			87170A	
203		451934-4	STOP LEVER	1			87170A	
204		451936-0	TOP	1			87170A	
205		264038-1	HEX NUT M5	2			87170A	
206		451935-2	CORRUGATE TUBE	1			87170A	
207		922233-6	H.S.H.BOLT M5X20 WITH WR	2			87170A	
208		233540-5	TORSION SPRING 11	1		87170A		
209		233541-3	TORSION SPRING 7	1		87170A		
210		266326-2	TAPPING SCREW 4X18	4		87170A		
211		922218-2	H.S.H.BOLT M5X14 WITH WR	2		87170A	B2856	
211-1		922206-9	HEX. SOCKET HEAD BOLT M5X10	2	>	B2856		
212		188832-6	LEVER CASE SET	1		87170A		
213		346248-3	CLAMP 24	2		87170A	93985	
213-1		346248-3	CLAMP 24	2	O	93985		
214		266130-9	TAPPING SCREW BIND PT 3X16	1		87170A		
215		168549-7	CONTROL CABLE	1		87170A		
216		232251-9	LEAF SPRING	1		87170A		
217		451592-6	THROTTLE LEVER	1		87170A	A2941	
217-1		455313-8	THROTTLE LEVER	1	<	A2941		
218		451593-4	LOCK LEVER	1		87170A		
219		451594-2	SWITCH LEVER	1		87170A		
220		451595-0	SWITCH COVER	1		87170A		
221		451602-9	CORRUGATE TUBE	1		87170A		
222		638676-9	LEAD UNIT	1		87170A		
223		638677-7	LEAD UNIT	1		87170A		
224		451598-4	LOOP HANDLE 24	1		87170A		
225		451599-2	HANDLE CLAMP 24	1		87170A		
226		922253-0	H.S.H.BOLT M5X30 WITH WR	4		87170A	87505	

Interchange

O : Yes

X : No

< : the new part can be substituted for the current.

> : the current part can be substituted for the new.

S : Interchangeable as a set.

