



MX

MEXICO

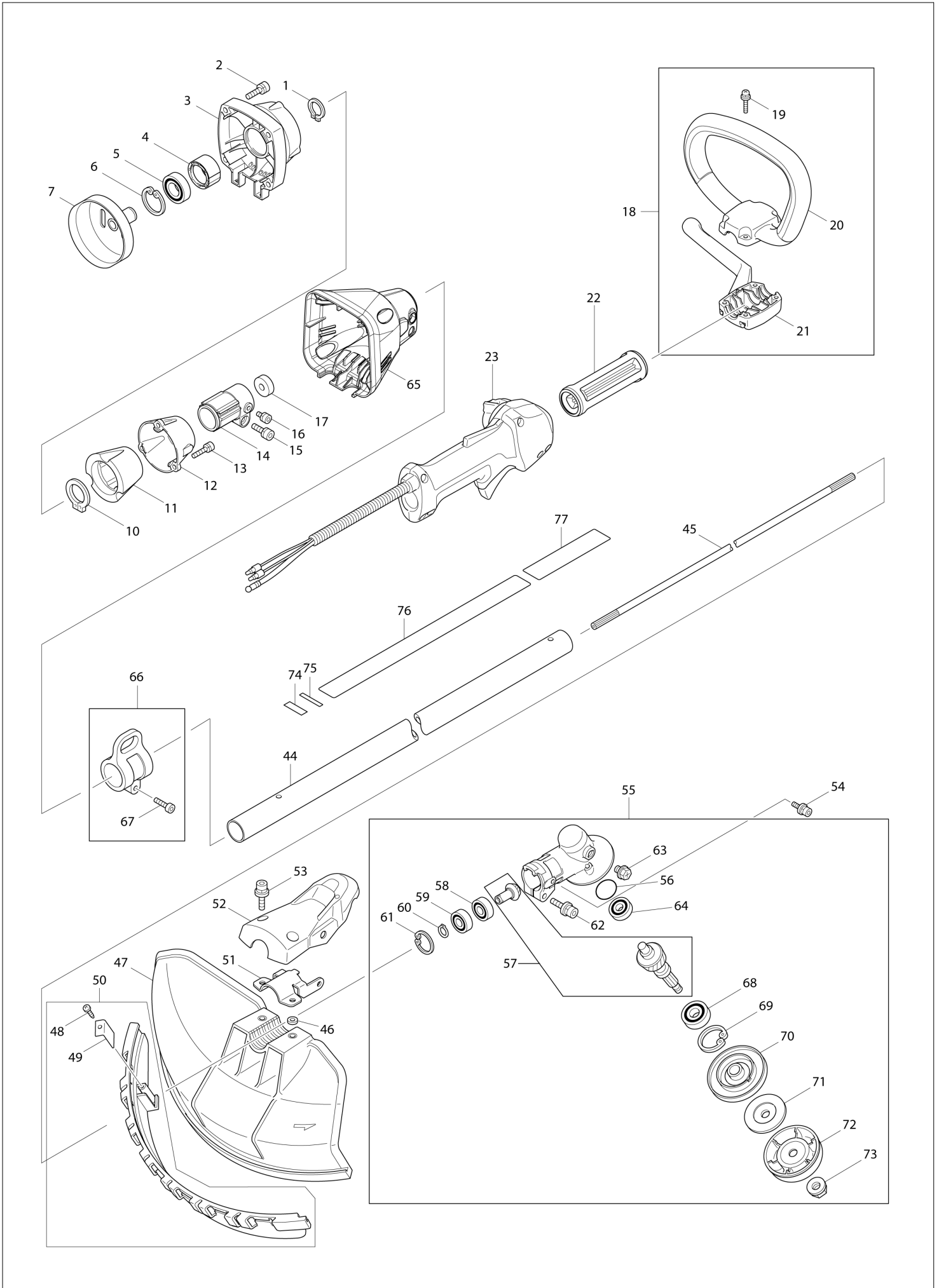
Diagram / Parts List

EM4350LH

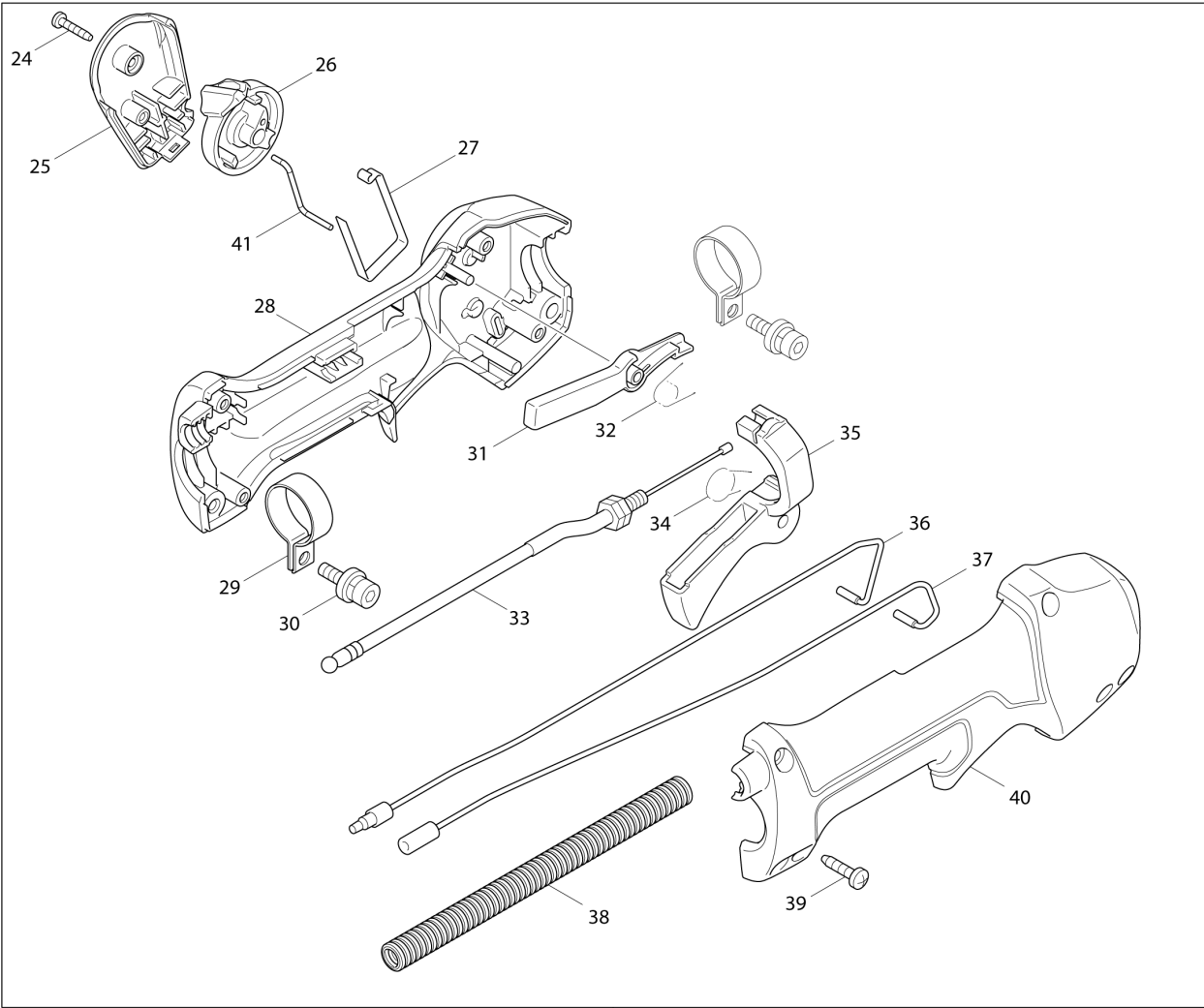
PETROL BRUSHCUTTER



(MX) EM4350LH / PETROL BRUSHCUTTER

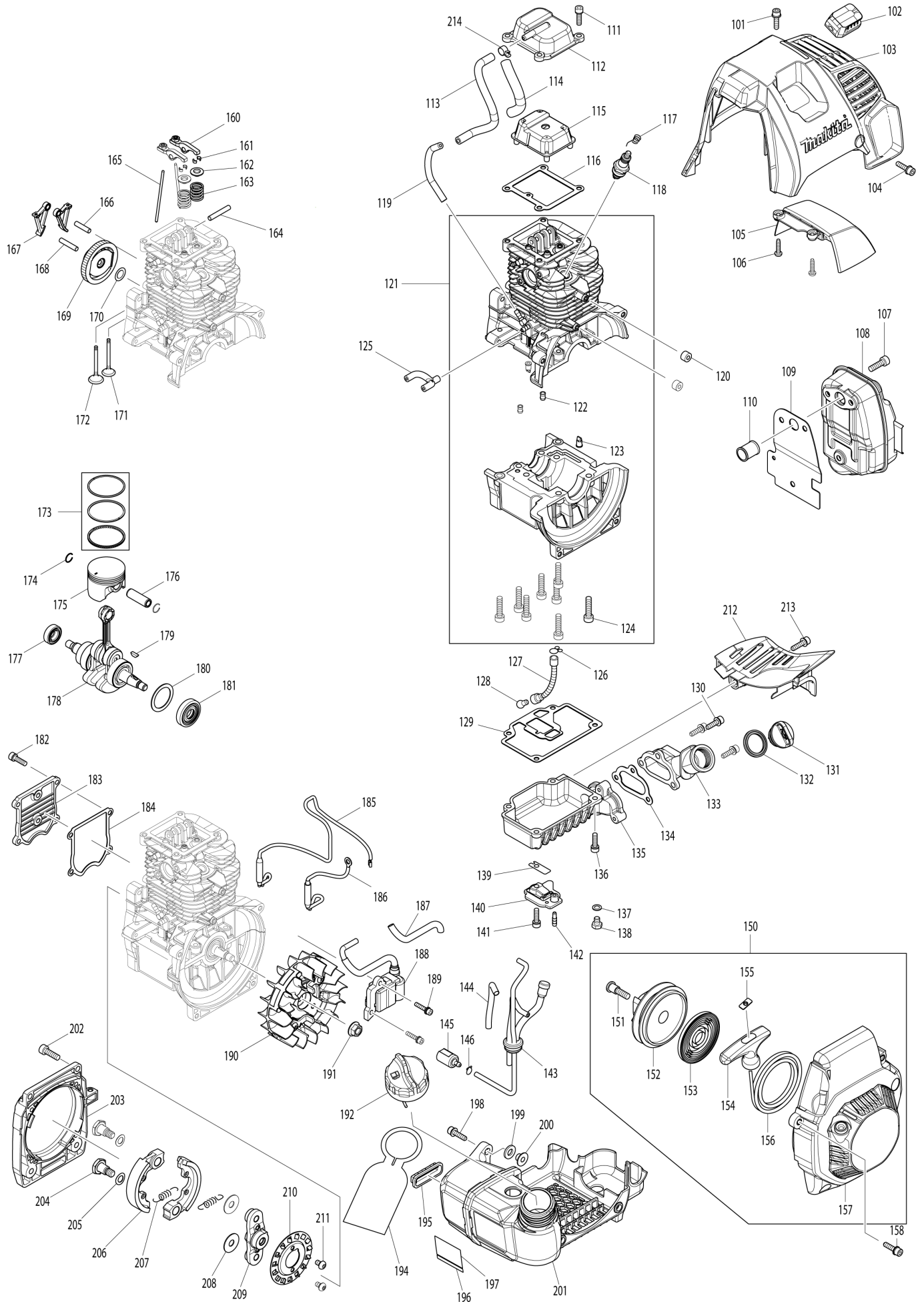


(MX) EM4350LH / PETROL BRUSHCUTTER

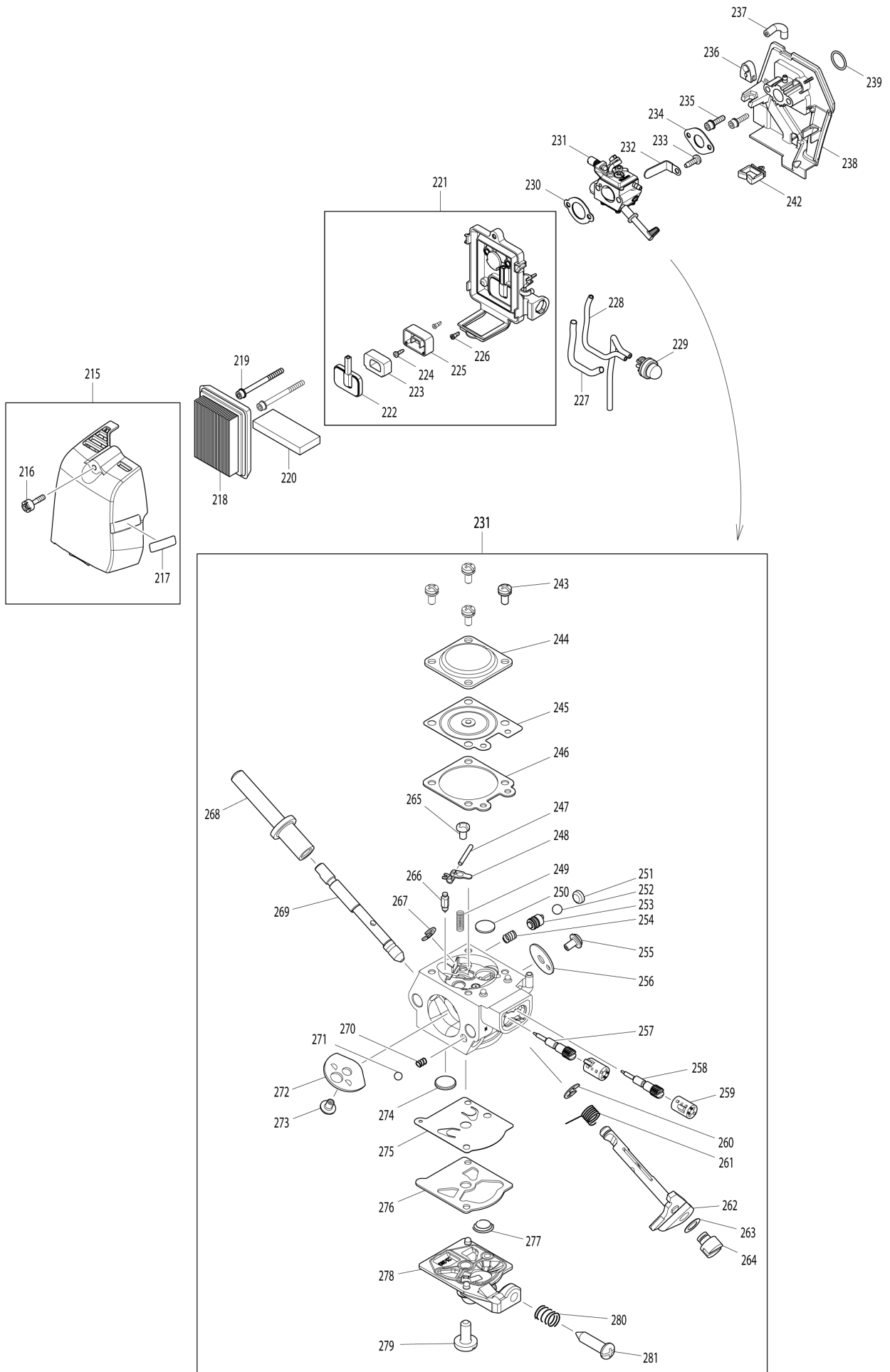


23

(MX) EM4350LH / PETROL BRUSHCUTTER



(MX) EM4350LH / PETROL BRUSHCUTTER



MX

MEXICO

EM4350LH / PETROL BRUSHCUTTER

Item	Sub	Parts No.	Parts Description	Qty	I/C	E/C No.	Close No.	Remark
001		961057-5	RETAINING RING S-17	1				
002		922331-6	HEX. SOCKET HEAD BOLT M6X20	4				
003		318421-5	CLUTCH CASE	1				
004		451157-4	SPACER	1				
005		210138-5	BALL BEARING 6003LLU	1			Z2229A	
005-1		211338-0	BALL BEARINNG 6003LLU	1	O	Z2229A		
006		962153-2	RETAINING RING R-35	1				
007		168742-3	CLUTCH DRUM	1				
010		961151-3	RETAINING RING S-32	1				
011		424204-4	DAMPER	1				
012		318453-2	PIPE RETAINER	1				
013		922231-0	HEX. SOCKET HEAD BOLT M5X20	3				
014		318454-0	PIPE BRACKET	1				
015		922331-6	HEX. SOCKET HEAD BOLT M6X20	1				
016		922201-9	HEX. SOCKET HEAD BOLT M5X8	1				
017		443146-3	FELT RING 8	1				
018		195251-9	LOOP HANDLE SET	1				
	C10	783014-1	+ SCREW DRIVER 2	1				
	D10		INC. 19-21					
019		911253-5	PAN HEAD SCREW M5X30	4				
020		451596-8	LOOP HANDLE 28	1				
021		451597-6	HANDLE CLAMP 28	1				
022		451600-3	SPACER 28	1				
023		126164-3	CONTROL LEVER ASSEMBLY	1				
	D10		INC. 24-39,41					
024		266130-9	TAPPING SCREW BIND PT 3X16	1				
025		451595-0	SWITCH COVER	1				
026		451594-2	SWITCH LEVER	1				
027		232251-9	LEAF SPRING	1				
028		187574-9	LEVER CASE SET	1				
	D10		INC. 40					
029		346249-1	PIPE CLAMP 28	2				
030		922218-2	H.S.H.BOLT M5X14 WITH WR	2				
031		451593-4	LOCK LEVER	1				
032		233541-3	TORSION SPRING 7	1				
033		168741-5	CONTROL CABLE	1				
034		233540-5	TORSION SPRING 11	1				
035		451592-6	THROTTLE LEVER	1				
036		638985-6	LEAD UNIT	1				
037		638986-4	LEAD UNIT	1				
038		453708-9	CORRUGATE TUBE	1				
039		266326-2	TAPPING SCREW 4X18	4				
040		187574-9	LEVER CASE SET	1				
	D10		INC. 28					
041		325907-2	LOCK PIN	1				
044		140042-3	SHAFT PIPE COMPLETE	1				
045		325675-7	SHAFT	1				
046		413143-3	WASHER	2				
047		452259-9	PROTECTOR	1				
048		266326-2	TAPPING SCREW 4X18	1				
049		346074-0	CUTTER	1				
050		135398-7	PROTECTOR EXTENSION ASSY	1				
	D10		INC. 48,49					
051		346072-4	PROTECTOR CLAMP	1				
052		451090-0	PROTECTOR COVER	1				
053		266579-3	HEX SOCKET HEAD BOLT M6X30	2				
054		266865-2	H.S.H.BOLT M5X14 WITH WR	2				
055		126260-7	GEAR CASE ASSEMBLY	1			Y07516	
	D10		INC. 56-64,68-73				Y07516	
055-1		126310-8	GEAR CASE ASSEMBLY	1	O	Y07516	C1488	
	D10		INC. 56-64,68-73			Y07516	C1488	
055-2		123835-3	GEAR CASE ASSEMBLY	1	S	C1488		
	D10		INC. 56-64,68-73			C1488		
056		213459-4	O RING 32	1			C1488	
057		188865-1	CUTTER SHAFT SET	1			Y07516	

Interchange

O : Yes

X : No

< : the new part can be substituted for the current.

> : the current part can be substituted for the new.

S : Interchangeable as a set.

MX	MEXICO
-----------	---------------

EM4350LH / PETROL BRUSHCUTTER

Item	Sub	Parts No.	Parts Description	Qty	I/C	E/C No.	Close No.	Remark
057-1		187644-4	CUTTER SHAFT SET	1	O	Y07516	C1488	
057-2		183K07-8	CUTTER SHAFT SET	1	O	C1488		
058		211064-1	BALL BEARING 6000	1			C1488	
058-1		210161-0	BALL BEARING 6000	1	>	C1488		
059		211062-5	BALL BEARING 6000ZZ	1			C1488	
059-1		210160-2	BALL BEARING 6000ZZ	1	>	C1488		
060		961006-2	RETAINING RING S-10	1			C1488	
060-1		257408-1	RETAINING RING(EXT) S-10	1	O	C1488		
061		962105-3	RETAINING RING R-26	1			C1488	
061-1		257988-7	RETAINING RING (INT) R-26	1	O	C1488		
062		922353-6	HEX.SOCKET HEAD BOLT M6X30	1				
063		265590-2	+HEX.BOLT M8X10 WITH R	1				
064		210081-8	BALL BEARING 629ZZ	1			C1488	
064-1		210159-7	BALL BEARING 629ZZ	1	>	C1488		
065		453883-1	CLUTCH CASE COVER	1				
066		125558-9	HANGER ASSEMBLY	1				
	D10		INC. 67					
067		266698-5	HEX. SOCKET HEAD BOLT M5X20	1				
068		210116-5	BALL BEARING 6201LLU	1				
069		962151-6	RETAINING RING R-32	1			C1488	
069-1		257409-9	RETAINING RING(INT) R-32	1	O	C1488		
070		331860-2	RECEIVE WASHER	1			A2521	
070-1		332114-0	RECEIVE WASHER	1	<	A2521	C1488	
070-2		326823-1	RECEIVE WASHER	1	O	C1488		
071		346355-2	CLAMP WASHER	1				
072		168526-9	CUP	1				
073		264025-0	HEX. NUT M10-17	1				
074		808723-2	CAUTION LABEL	1				
075		814K97-7	SERIAL NO. LABEL	1				
076		898834-1	CAUTION LABEL	1			Z2229A	
076-1		803A09-5	CAUTION LABEL	1	O	Z2229A		
077		819312-8	MAKITA LOGO LABEL	1				
101		922233-6	H.S.H.BOLT M5X20 WITH WR	1				
102		424302-4	PLUG CAP	1				
103		453535-4	CYLINDER COVER	1			A2462	
103-1		455103-9	CYLINDER COVER	1	S	A2462		
104		922233-6	H.S.H.BOLT M5X20 WITH WR	1				
105		453536-2	MUFFLER COVER	1				
106		265995-6	TAPPING SCREW 4X18	2				
107		922332-4	HEX. SOCKET HEAD BOLT M6X20	3				
108		168715-6	EXHAUST MUFFLER	1				
109		346574-0	MUFFLER GASKET	1				
110		331987-8	EXHAUST PORT SPACER	1				
111		922226-3	HEX. SOCKET HEAD BOLT M5X18	4				
112		318850-2	ROCKER COVER OUTER	1				
113		422091-5	TUBE 5-160	1				
114		454424-6	CORRUGATE TUBE	1				
115		453529-9	ROCKER COVER INNER	1				
116		162335-8	ROCKER COVER GASKET	1				
117		324891-8	PLUG CAP SPRING	1				
118		168401-9	SPARK PLUG	1				
119		422090-7	TUBE 3-85	1				
120		452049-0	SPACER	2				
121		135557-3	CYLINDER BLOCK ASSEMBLY	1			A5943	
	D10		INC. 122-124				A5943	
121-1		135659-5	CYLINDER BLOCK ASS'Y	1	S	A5943		
	D10		INC. 122-124				A5943	
122		424200-2	SPACER	2				
123		424201-0	CHECK VALVE	2				
124		922342-1	HEX. SOCKET HEAD BOLT M6X25	8			C7566	
124-1		266087-4	HEX.BOLT M6X25	8	<	C7566		
125		422099-9	PIPE	1				
126		282020-8	HOSE CLAMP	1			Y07151	
126-1		282020-8	HOSE CLAMP	1	O	Y07151		
127		424301-6	OIL TUBE	1			Y07151	

Interchange
O : Yes
X : No
< : the new part can be substituted for the current.
> : the current part can be substituted for the new.
S : Interchangeable as a set.

MX	MEXICO
-----------	---------------

EM4350LH / PETROL BRUSHCUTTER

Item	Sub	Parts No.	Parts Description	Qty	I/C	E/C No.	Close No.	Remark
127-1		125805-8	OIL TUBE ASSEMBLY	1	S	Y07151		
	C10	424301-6	OIL TUBE	1		Y07151		
	D10		INC. 126,128			Y07151		
128		325666-8	OIL WEIGHT	1			Y07151	
128-1		325666-8	OIL WEIGHT	1	O	Y07151		
129		162337-4	OIL CASE GASKET	1				
130		266760-6	H.S.H.BOLT M5X18 WITH WRM	3				
131		452047-4	OIL CAP	1				
132		424343-0	GASKET	1				
133		453538-8	OIL PIPE	1				
134		162338-2	OIL PIPE GASKET	1				
135		318854-4	OIL CASE	1				
136		922226-3	HEX. SOCKET HEAD BOLT M5X18	4				
137		346305-7	GASKET	1				
138		266611-3	HEX BOLT M6X8	1				
139		346398-4	LEAD VALVE	1				
140		318851-0	RETAINER PLATE	1				
141		922226-3	HEX. SOCKET HEAD BOLT M5X18	1				
142		325665-0	JOINT PIPE	1				
143		168724-5	TUBE COMPLETE	1				
144		454426-2	SPIRAL TUBE 6-80	1				
145		163518-3	GASOLINE FILTER	1				
146		282020-8	HOSE CLAMP	1				
150		126119-8	STARTER COVER ASSEMBLY	1				
	D10		INC. 151-157					
151		266634-1	SET SCREW M6X20	1			Y07633	
151-1		SG00000013	SET SCREW M6X20	1	O	Y07633		
152		452288-2	REEL	1				
153		232262-4	SPIRAL SPRING	1			Y07731	
153-1		SG00000014	SPIRAL SPRING	1	O	Y07731		
154		424361-8	STARTER KNOB	1				
155		424360-0	ROPE STOPPER	1				
156		444027-4	STARTER ROPE	1				
157		453534-6	STARTER COVER	1				
158		922233-6	H.S.H.BOLT M5X20 WITH WR	4				
160		126116-4	ROCKER ARM ASSEMBLY	2				
161		331990-9	COTTER	4				
162		331991-7	RETAINER	2				
163		234238-7	COMPRESSION SPRING 11	2				
164		256200-2	PIN 5	1				
165		256866-8	ROD 2.5	2				
166		268238-5	PIN 5	1				
167		313236-5	CAM LIFTER	2				
168		256186-0	PIN 5	1				
169		126115-6	CAM GEAR ASSEMBLY	1			A3027	
169-1		126495-0	CAM GEAR ASSEMBLY	1	<	A3027	A3814	
169-2		126556-6	CAMGEAR ASSEMBLY	1	<	A3814	A6645	
169-3		126571-0	CAMGEAR ASSEMBLY	1	<	A6645		
170		261127-3	FLUOROPLASTIC WASHER 10	1			D6230	
170-1		261127-3	FLUOROPLASTIC WASHER 10	1	O	D6230	DC484	
170-2		261127-3	FLUOROPLASTIC WASHER 10	1	O	DC484		
171		326158-0	EXHAUST VALVE	1			A5943	
171-1		326498-6	EXHAUST VALVE	1	S	A5943	B1173	
171-2		326575-4	EXHAUST VALVE	1	<	B1173		
172		326157-2	INTAKE VALVE	1				
173		196667-1	PISTON RING SET	1		Z22039		
174		233983-1	CLIP	2				
175		318853-6	PISTON	1			A9068	
175-1		197455-9	PISTON SET	1	<	A9068		
	C10	318853-6	PISTON	1		A9068		
	D10		INC. 173,174			A9068		
176		268285-6	PISTON PIN	1				
177		213685-5	OIL SEAL 12	1				
178		126121-1	CRANK SHAFT ASSEMBLY	1				
	D10		INC. 177,180,181					

Interchange
O : Yes
X : No
< : the new part can be substituted for the current.
> : the current part can be substituted for the new.
S : Interchangeable as a set.

MX	MEXICO
-----------	---------------

EM4350LH / PETROL BRUSHCUTTER

Item	Sub	Parts No.	Parts Description	Qty	I/C	E/C No.	Close No.	Remark
179		254040-2	WOODRUFF KEY 3	1				
180		267425-3	FLAT WASHER 26	1				
181		213537-0	OIL SEAL 12	1				
182		266086-6	HEX. SOCKET HEAD BOLT M5X16	4				
183		318856-0	CAM GEAR COVER	1				
184		162334-0	CAM GEAR COVER GASKET	1				
185		638974-1	LEAD UNIT	1				
186		638975-9	LEAD UNIT	1				
187		444021-6	TUBE	1				
188		168714-8	IGNITION COIL	1				
189		266602-4	HEX. SOCKET HEAD BOLT M4X20	2				
190		126122-9	FLYWHEEL COMPLETE	1				
191		264075-5	COLLARD HEX NUT M8	1			A0473	
191-1		264039-9	CONED DISK SPRING HEXNUT M8-13	1	<	A0473	Y06630	
191-2		264039-9	CONED DISK SPRING HEXNUT M8-13	1	<	Y06630		
192		125728-0	FUEL TANK CAP ASSEMBLY	1			C4429	
192-1		127112-5	FUEL TANK CAP ASSEMBLY	1	O	C4429		
194		810455-9	CAUTION PLATE	1				
195		424081-4	BUFFER RUBBER	1				
196		897220-3	SERIAL NO. LABEL	1				
198		922233-6	H.S.H.BOLT M5X20 WITH WR	1				
199		261152-4	RUBBER WASHER 8	1				
200		331988-6	SPACER	1				
201		168718-0	FUEL TANK	1			A6254	
201-1		168875-4	FUEL TANK	1	<	A6254		
202		922332-4	HEX. SOCKET HEAD BOLT M6X20	4				
203		318852-8	ENGINE BASE	1				
204		266597-1	SHOULDER HEX. BOLT M8	2				
205		267832-0	WAVE WASHER 10	2				
206		313238-1	CLUTCH SHOE	2				
207		231880-5	TENSION SPRING 5	2			B0208	
207-1		232290-9	TENSION SPRING 6	2	<	B0208		
208		267428-7	FLAT WASHER 8	2				
209		313239-9	CLUTCH BASE	1				
210		346576-6	FAN PLATE	1				
211		266461-6	H.S.BUTTON HEAD SCREW M5X8	2				
212		453530-4	MUFFLER PLATE	1				
213		922233-6	H.S.H.BOLT M5X20 WITH WR	1			A0318	
213-1		266760-6	H.S.H.BOLT M5X18 WITH WRM	1	<	A0318		
214		345918-1	HOSE CLAMP	1				
215		126118-0	CLEANER COVER ASSEMBLY	1			A2462	
	C10	801S44-5	INDICATION LABEL	1			A2462	
	D10		INC. 216,217				A2462	
215-1		126474-8	CLEANER COVER ASSEMBLY	1	S	A2462	B6287	
	C10	801S44-5	INDICATION LABEL	1		A2462	B6287	
	D10		INC. 216,217			A2462	B6287	
215-2		126523-1	CLEANER COVER ASSEMBLY	1	S	B6287		
	D10		INC. 216,217			B6287		
216		266743-6	HEX.SOCKET HEAD BOLT M5X20	1			B6287	
216-1		266743-6	HEX.SOCKET HEAD BOLT M5X20	2	O	B6287		
217		898844-8	INDICATION LABEL	1				
218		442181-8	AIR CLEANER ELEMENT	1			D6115	
218-1		442181-8	AIR CLEANER ELEMENT	1	O	D6115		
219		266601-6	HEX. SOCKET HEAD BOLT M5X60	2			A4081	
219-1		266601-6	HEX. SOCKET HEAD BOLT M5X60	2	S	A4081		
220		443173-0	AIR CLEANER ELEMENT	1			B6287	
220-1		443196-8	AIR CLEANER ELEMENT	1	S	B6287		
221		126117-2	CLEANER PLATE ASSEMBLY	1			B6287	
	D10		INC. 222-226				B6287	
221-1		123994-3	CLEANER PLATE ASSEMBLY	1	S	B6287		
	D10		INC. 222-226			B6287		
222		162346-3	SEPARATOR PLATE	1				
223		352020-3	SEPARATOR MESH	1				
224		266007-8	TAPPING SCREW BIND PT 3X10	1				
225		453865-3	SEPARATOR CASE	1				

Interchange
O : Yes
X : No
< : the new part can be substituted for the current.
> : the current part can be substituted for the new.
S : Interchangeable as a set.

MX

MEXICO

EM4350LH / PETROL BRUSHCUTTER

Item	Sub	Parts No.	Parts Description	Qty	I/C	E/C No.	Close No.	Remark
226		424316-3	CHECK VALVE	2				
227		454425-4	SPIRAL TUBE 6-100	1				
228		422074-5	TUBE 3-120	1				
229		168398-2	PRIMER PUMP	1				
230		442196-5	CARBURETOR GASKET	1				
231		126339-4	CARBURETOR ASSEMBLY	1			A0806	
231-1		126339-4	CARBURETOR ASSEMBLY	1	O	A0806	A5904	
231-2		123301-0	CARBURETOR ASSEMBLY	1	<	A5904		
232		345963-6	CLAMP	1				
233		266388-0	TAPPING SCREW 5X16	1				
234		442197-3	CARBURETOR GASKET	1				
235		922233-6	H.S.H.BOLT M5X20 WITH WR	2			A2422	
235-1		266814-9	HEX SOCKET HEAD BOLT M5X20	2	<	A2422		
236		424489-2	GROMMET	1				
237		422080-0	TUBE 3-35	1				
238		142128-9	INSULATOR COMPLETE	1			A2462	
238-1		142736-6	INSULATOR COMPLETE	1	S	A2462		
239		213642-3	O-RING 18	1				
240		819432-8	CAUTION TAG	1				
241		898832-5	EM4350LH MODEL NO. LABEL	1				
242		451825-9	CLAMP	1				
243		WJ00096589	SCREW ASSEMBLY	1				
244		WJ00021158	METERING DIAPHRAGM COVER	1				
245		168620-7	METERING DIAPHRAGM	1				
246		442183-4	METERING DIAPHRAGM GASKET	1				
247		WJ00014477	METERING LEVER PIN	1				
248		WJ00016648	LEVER	1				
249		WJ00983248	SPRING	1				
250		5416036160	PLUG-WELCH	1				
251		WJ00088229	CUP PLUG	1				
252		5806084330	STEEL BALL	1				
253		WJ00160593	ACCELERATOR PISTON ASSEMBLY	1				
254		WJ00983305	SPRING	1				
255		WJ00963240	SCREW	1				
256		WJ00343562	THROTTLE VALVE	1				
257		WJ01023345	HIGH SPEED NEEDLE	1			A5904	
257-1		WJ01024009	NEEDLE (HIGH)	1	S	A5904		
258		WJ01023344	IDLE NEEDLE	1			A5904	
258-1		WJ01024008	IDLE NEEDLE (LOW)	1	S	A5904		
259		WJ00025162	LIMITER CAP	1			A5904	
259-1		5106038120	WASHER	1	S	A5904		
260		257964-1	STOP RING E-3	1				
261		WJ00098494	SPRING	1				
262		WJ00224392	THROTTLE SHAFT ASSEMBLY	1				
263		413140-9	WASHER	1				
264		5246001210	SWIVEL	1				
265		5016004110	SCREW	1				
266		WJ00008282	INLET NEEDLE VALVE	1				
267		WJ00001673	RETAINING RING	1				
268		WJ00183585	CHOKE LEVER	1				
269		WJ00044456	CHOKE SHAFT	1				
270		5806122210	SPRING	1				
271		5806122220	BALL	1				
272		WJ00006295	CHOKE VALVE	1				
273		WJ00096475	SCREW	1				
274		352010-6	INLET SCREEN	1			Y07179	
274-1		WJ00014070	INLET SCREEN	1	O	Y07179		
275		WJ00009589	PUMP DIAPHRAGM	1				
276		WJ00092228	GASKET	1				
277		234183-6	CONICAL COMPRESSION SPRING 5-9	1				
278		WJ00213807	PUMP COVER ASSEMBLY	1				
279		WJ00096166	SCREW	1				
280		WJ00098217	SPRING	1				
281		WJ00096368	IDLE ADJUST SCREW	1				
282		455102-1	CHANGE PLATE	1	S	A2462		

Interchange
O : Yes
X : No
< : the new part can be substituted for the current.
> : the current part can be substituted for the new.
S : Interchangeable as a set.

