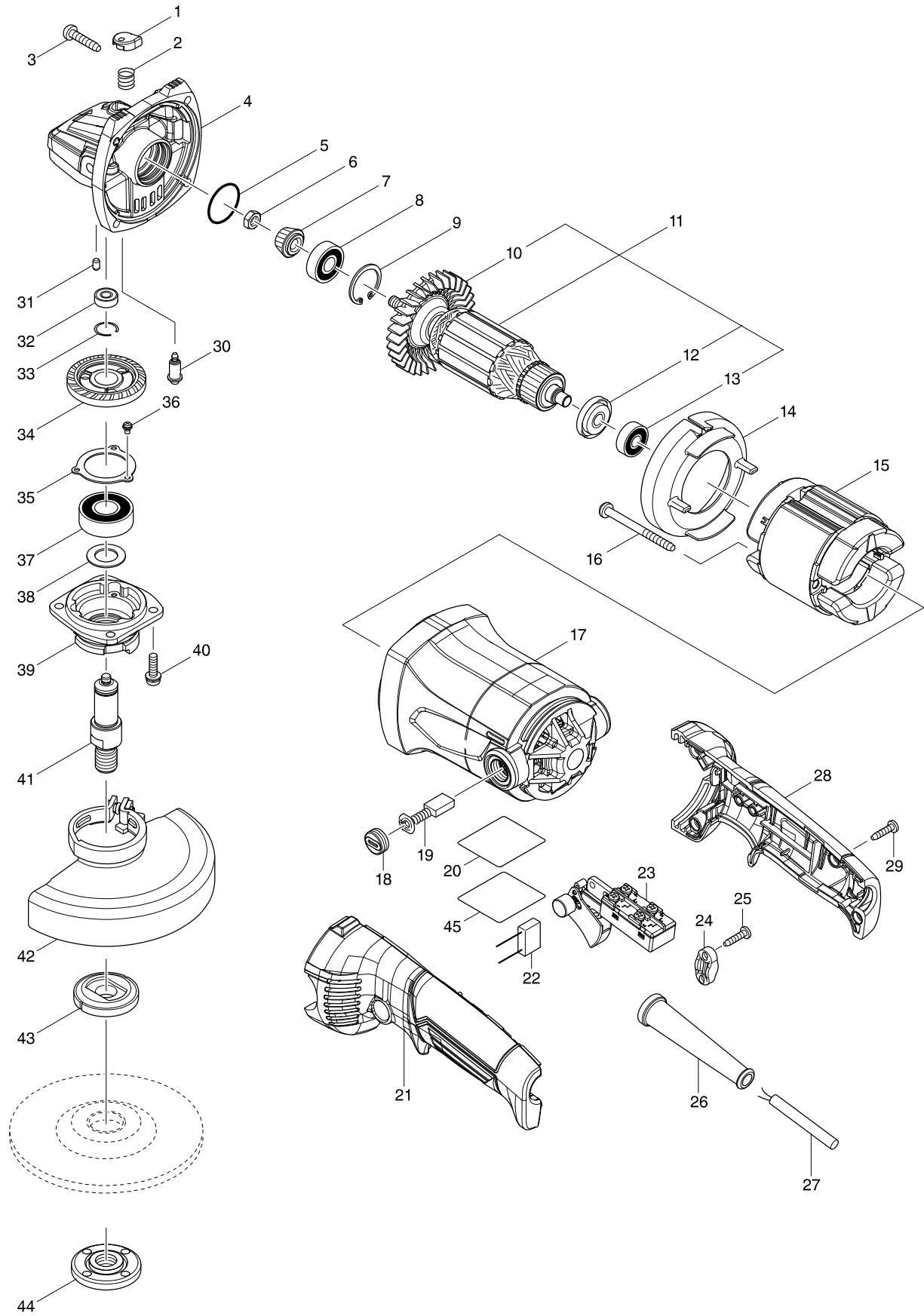


# Modelo M9002 125MM ANGLE GRINDER



# Modelo M9002 125MM ANGLE GRINDER

Pieza	Código	Descripción	Info	CTD.	N/O	Opc. 1	Opc. 2	OBS.
001	417771-6	PIN CAP		1				
002	234057-1	COMPRESSION SPRING 8		1				
003	266459-3	TAPPING SCREW 5X25		4				
004	319178-1	GEAR HOUSING		1				
005	213445-5	O-RING 26		1				
006	264010-3	HEX.NUT M7		1				
007	227520-1	SPIRAL BEVEL GEAR 11		1				
008	210059-1	BALL BEARING 600DDW		1				
009	962105-3	RETAINING RING R-26		1				
010	240094-5	FAN 70		1				
011	518503-5	ARMATURE ASS'Y 115V		1				
D10		INC. 10,12,13						
012	681644-1	INSULATION WASHER		1				
013	210029-0	BALL BEARING 608ZZ		1				
014	455301-5	BAFFLE PLATE		1				
015	599054-7	FIELD ASS'Y 115V		1				
C10	654220-4	RING TERMINAL		2				
C20	654501-6	CONNECTOR P-1.25		2				
016	266329-6	TAPPING SCREW 5X60		2				
017	143134-7	MOTOR HOUSING COMPLTE		1				
C10	644501-4	BRUSH HOLDER 5X11		2				
018	644500-6	HOLDER CAP 7X11		2				
019	194996-6	CARBON BRUSH CB-303		1				
020	850Y29-4	M9002 NAME PLATE		1				
021	187950-7	HANDLE SET		1				
D10		INC. 28						
023	650115-9	SWITCH TN31-2		1				
024	687123-7	STRAIN RELIEF		1				
025	266326-2	TAPPING SCREW 4X18		2				
026	682574-9	CORD GUARD 10-90		1				
027	664253-1	POWER SUPPLY CORD AWG#16-2-2.0		1				
028	187950-7	HANDLE SET		1				
D10		INC. 21						
029	266326-2	TAPPING SCREW 4X18		4				
030	256505-0	SHOULDER PIN 5		1				
031	263002-9	RUBBER PIN 4		1				
032	210033-9	BALL BEARING 696ZZ		1				
033	233925-5	RING SPRING 13		1				
034	227637-0	SPIRAL BEVEL GEAR 35A		1				
035	285728-3	BEARING RETAINER 39		1				
036	911003-8	PAN HEAD SCREW M3X6		3				
037	211241-5	BALL BEARING 620DDW		1				
038	267274-8	FLAT WASHER 15		1				
039	319179-9	BEARING BOX		1				
040	265131-4	PAN HEAD SCREW M5X18		4				
041	326435-0	SPINDLE		1				
042	123099-9	WHEEL COVER 125AK ASSEMBLY		1				
C10	213009-5	O RING 4		1				

