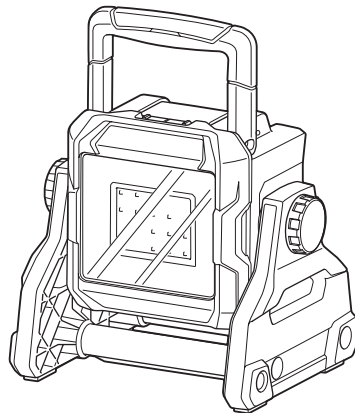
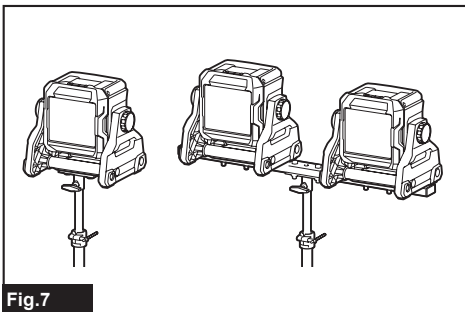
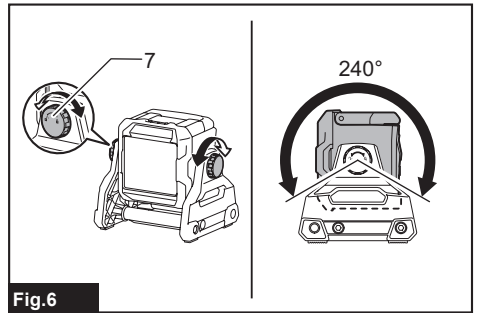
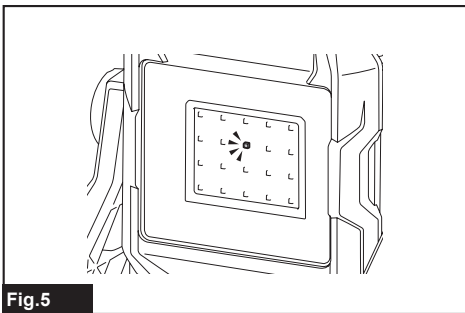
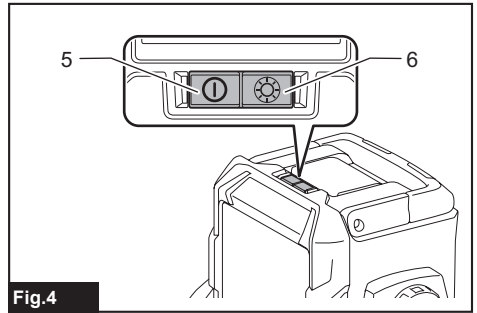
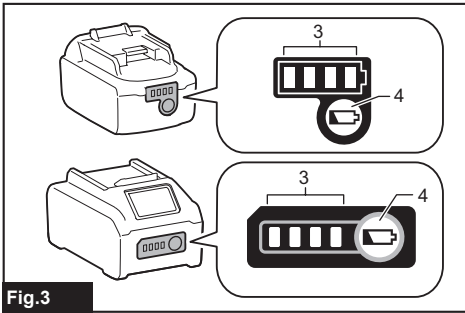
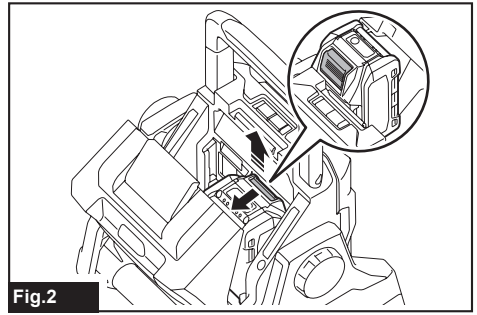
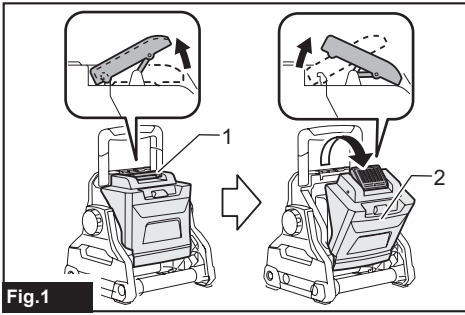




EN	Cordless Worklight	INSTRUCTION MANUAL	3
PTBR	Refletor LED a Bateria	MANUAL DE INSTRUÇÕES	7
ESMX	Linterna de Trabajo Inalámbrica	MANUAL DE INSTRUCCIONES	11

ML003G





ENGLISH (Original instructions)

Explanation of general view

1. Cover lock
2. Battery cover
3. Indicator lamps
4. Check button
5. Switch
6. Brightness mode selection
7. Knob

SPECIFICATIONS

Model:	ML003G
LED	20pcs, 12W
Power source	14.4/18/36V DC
Dimensions (L × W × H)	249 mm × 298 mm × 280 mm
Net weight	3.4 kg
Pressure receiving area	0.06 m ²
Protection degree	IP65

- Specifications may differ from country to country.
- The dimensions are with the handle lowered position.
- The weight does not include battery cartridge.
- Due to our continuing program of research and development, the specifications herein are subject to change without notice.

Applicable battery cartridge and operating time

Voltage	Applicable battery cartridge	Operating time (Approximately)	
		High	Low
14.4V	BL1415N	1.6 hours	4.0 hours
	BL1430B	3.0 hours	8.0 hours
	BL1440	4.0 hours	10 hours
	BL1460B	5.5 hours	13 hours
18V	BL1815N	2.0 hours	5.0 hours
	BL1820B	2.9 hours	7.0 hours
	BL1830B	4.0 hours	9.0 hours
	BL1840B	5.5 hours	13 hours
	BL1850B	7.0 hours	17 hours
	BL1860B	8.5 hours	21 hours
36V	BL4020	5.0 hours	12 hours
	BL4025	6.0 hours	14 hours
	BL4040	10 hours	22 hours
	BL4050F	13 hours	30 hours

- Some of the battery cartridges listed above may not be available depending on your region of residence.
- Operating times may differ depending on battery type, charging status, and usage condition.

⚠ WARNING: Only use the battery cartridges listed above. Use of any other battery cartridges may cause injury and/or fire.

Symbols

The following show the symbols used for the equipment. Be sure that you understand their meaning before use.



- Read instruction manual.



- Only for EU countries Due to the presence of hazardous components in the equipment, waste electrical and electronic equipment, accumulators and batteries may have a negative impact on the environment and human health. Do not dispose of electrical and electronic appliances or batteries with household waste! In accordance with the European Directive on waste electrical and electronic equipment and on accumulators and batteries and waste accumulators and batteries, as well as their adaptation to national law, waste electrical equipment, batteries and accumulators should be stored separately and delivered to a separate collection point for municipal waste, operating in accordance with the regulations on environmental protection. This is indicated by the symbol of the crossed-out wheeled bin placed on the equipment.



- Optical Radiation (UV and IR). Minimize exposure to eyes or skin.



- Do not stare at operating lamp.



- Use appropriate shielding or eyes protection.



- Take particular care and attention!

IMPORTANT SAFETY INSTRUCTIONS

⚠ WARNING: When using appliances, basic safety precautions should always be followed to reduce the risk of fire, electric shock, and personal injury, including the following:

READ ALL INSTRUCTIONS.

1. Do not look into the light, or do not expose the light to eyes. Eyes may be damaged.
2. Do not cover the lamp with cloth or carton, etc. Otherwise it may cause a flame.
3. Do not expose it to rain or snow. Do not wash it in water.
4. Do not touch the inside of the appliance with tweezers, metal tools, etc.
5. When the appliance is not in use, always switch off and remove the battery cartridge from the appliance.

6. Do not give the appliance a shock by dropping, striking, etc.
7. Safety information for portable luminaires with batteries.
 - Battery disposal should be in compliance with your local regulations that address the disposal of hazardous materials.
 - Do not incinerate the battery.
8. Additional information for luminaires.
 - The light source contained in this luminaire shall only be replaced by the manufacture or his service agent or a similar qualified person.
9. Battery tool use and care.
 - **WARNING:** Read all safety warnings and instructions. Failure to follow the warnings and instructions may result in electric shock, fire and/or serious injury.
 - Prevent unintentional starting. Ensure the switch is in the off-position before connecting to battery pack, picking up or carrying the appliance. Carrying the appliance with your finger on the switch or energizing appliance that have the switch on invites accidents.
 - Disconnect the battery pack from the appliance before making any adjustments, changing accessories, or storing appliance. Such preventive safety measures reduce the risk of starting the appliance accidentally.
 - Recharge only with the charger specified by the manufacturer. A charger that is suitable for one type of battery pack may create a risk of fire when used with another battery pack.
 - Use appliances only with specifically designated battery packs. Use of any other battery packs may create a risk of injury and fire.
 - When battery pack is not in use, keep it away from other metal objects, like paper clips, coins, keys, nails, screws or other small metal objects, that can make a connection from one terminal to another. Shorting the battery terminals together may cause burns or a fire.
 - Under abusive conditions, liquid may be ejected from the battery; avoid contact. If contact accidentally occurs, flush with water. If liquid contacts eyes, additionally seek medical help. Liquid ejected from the battery may cause irritation or burns.
 - Do not use a battery pack or appliance that is damaged or modified. Damaged or modified batteries may exhibit unpredictable behavior resulting in fire, explosion or risk of injury.
 - Do not expose a battery pack or appliance to fire or excessive temperature. Exposure to fire or temperature above 130 °C (265 °F) may cause explosion.
 - Follow all charging instructions and do not charge the battery pack or appliance outside of the temperature range specified in the instructions. Charging improperly or at temperatures outside of the specified range may damage the battery and increase the risk of fire.
 - Have servicing performed by a qualified repair person using only identical replacement parts. This will ensure that the safety of the product is maintained.
 - Do not modify or attempt to repair the appliance or the battery pack except as indicated in the instructions for use and care.

10. Important safety instructions for battery cartridge.

- Before using battery cartridge, read all instructions and cautionary markings on (1) battery charger, (2) battery, and (3) product using battery.
 - Do not disassemble or tamper the battery cartridge. It may result in a fire, excessive heat, or explosion.
 - If operating time has become excessively shorter, stop operating immediately. It may result in a risk of overheating, possible burns and even an explosion.
 - If electrolyte gets into your eyes, rinse them out with clear water and seek medical attention right away. It may result in loss of your eyesight.
 - Do not short the battery cartridge.
 - Do not store and use the tool and battery cartridge in locations where the temperature may reach or exceed 50 °C (122 °F).
 - Do not nail, cut, crush, throw, drop the battery cartridge, or hit against a hard object to the battery cartridge. Such conduct may result in a fire, excessive heat, or explosion.
 - Do not use a damaged battery.
 - The contained lithium-ion batteries are subject to the Dangerous Goods Legislation requirements. For commercial transports e.g. by third parties, forwarding agents, special requirement on packaging and labeling must be observed. For preparation of the item being shipped, consulting an expert for hazardous material is required. Please also observe possibly more detailed national regulations. Tape or mask off open contacts and pack up the battery in such a manner that it cannot move around in the packaging.
 - Use the batteries only with the products specified by Makita. Installing the batteries to non-compliant products may result in a fire, excessive heat, explosion, or leak of electrolyte.
 - If the tool is not used for a long period of time, the battery must be removed from the tool.
 - During and after use, the battery cartridge may take on heat which can cause burns or low temperature burns. Pay attention to the handling of hot battery cartridges.
 - Do not touch the terminal of the tool immediately after use as it may get hot enough to cause burns.
 - Do not allow chips, dust, or soil stuck into the terminals, holes, and grooves of the battery cartridge. It may result in poor performance or breakdown of the tool or battery cartridge.
 - Unless the tool supports the use near high-voltage electrical power lines, do not use the battery cartridge near high-voltage electrical power lines. It may result in a malfunction or breakdown of the tool or battery cartridge.
 - Keep the battery away from children.
- #### 11. Tips for maintaining maximum battery life.
- Charge the battery cartridge before completely discharged. Always stop tool operation and charge the battery cartridge when you notice less tool power.
 - Never recharge a fully charged battery cartridge. Overcharging shortens the battery service life.
 - Charge the battery cartridge with room temperature at 10 °C - 40 °C (50 °F - 104 °F). Let a hot battery cartridge cool down before charging it.
 - When not using the battery cartridge, remove it from the tool or the charger.
 - Charge the battery cartridge if you do not use it for a long period (more than six months).

⚠ CAUTION: Only use genuine Makita batteries. Use of non-genuine Makita batteries, or batteries that have been altered, may result in the battery bursting causing fires personal injury and damage. It will also void the Makita warranty for the Makita tool and charger.

Save all warnings and instructions for future reference.

FUNCTIONAL DESCRIPTION

⚠ CAUTION:

- Always be sure that the appliance is switched off, and the battery cartridge is removed before adjusting or checking function on the appliance.

Installing or removing battery cartridge

⚠ CAUTION:

- **Hold the appliance and the battery cartridge firmly when installing or removing battery cartridge.** Failure to hold the appliance and the battery cartridge firmly may cause them to slip off your hands and result in damage to the appliance and battery cartridge and a personal injury.
- Be careful not to trap finger(s) between the appliance and battery cartridge when loading battery cartridge as well as between the appliance and the battery cover when closing the battery cover.

To install the battery cartridge, release the cover lock, and open the battery cover. **(Fig. 1)**

Insert the battery cartridge. Align the tongue on the battery cartridge with the groove in the housing and slip it into place. Insert it all the way until it locks in place with a little click. If you can see the red indicator on the upper side of the button, it is not locked completely. Then close the battery cover.

To remove the battery cartridge, slide it from the tool while sliding the button on the front of the cartridge. **(Fig. 2)**

⚠ CAUTION:

- Always install the battery cartridge fully in place. If not, it may accidentally fall out of the appliance, causing injury to you or someone around you.
- Do not install the battery cartridge forcibly. If the cartridge does not slide in easily, it is not being inserted correctly.

Indicating the remaining battery capacity (Fig. 3)

(Only for battery cartridges with the indicator)

Press the check button on the battery cartridge to indicate the remaining battery capacity. The indicator lamps light up for few seconds.

Indicator lamps			Remaining capacity
Lighted	Off	Blinking	
■	□	◐	75% to 100%
■	■	■	50% to 75%
■	■	□	25% to 50%
■	□	□	0% to 25%
◐	□	□	Charge the battery.
■	■	□	The battery may have malfunctioned.
□	□	■	

NOTE:

- Depending on the conditions of use and the ambient temperature, the indication may differ slightly from the actual capacity.
- The first (far left) indicator lamp will blink when the battery protection system works.

Use of non-genuine Makita batteries, or batteries that have been altered, will void the Makita warranty for the Makita appliance and charger.

Turning on the light and brightness mode selection (Fig. 4)

- Switch: Press the switch once, the light turns on (At the same brightness mode as the last setting). Press the switch again, the light turns off.
- Brightness mode selection: Brightness sequence is: High mode / Low mode / High mode for each press when the light is on.

Battery protection system (Fig. 5)

The appliance is equipped with a battery protection system to extend battery life. When the battery becomes low, the LED lights go out except one LED as illustrated. Then approximately five to ten minutes later, the system automatically cuts off power.

OPERATION

⚠ CAUTION:

- Always put the appliance on flat and stable place. Otherwise a falling accident may occur.

Adjusting the angle of the light (Fig. 6)

Loosen the knobs on the both side. Adjust the angle of the light (adjustment range is 240°). Then tighten the knobs again.

⚠ CAUTION:

Take care not to trap finger(s) when adjusting the angle of the light.

Using with tripod (optional accessories)

⚠ CAUTION:

- Read carefully the instruction manuals of the accessories before using them with the light.

You can put the light on the tripod to facilitate the operation. (Fig. 7)

⚠ CAUTION:

- Be careful not to drop the appliance when attaching the appliance on the tripod.
- Place the tripod on a level and stable surface to prevent from falling.
- Spread the legs of the tripod to the maximum.
- Do not use the tripod if the wind is strong.
- Make sure that the appliance is attached securely on the tripod.
- Remove the appliance when carrying the tripod or when folding the legs of the tripod.
- Be careful not to get your hand caught in the legs of the tripod when closing the tripod.

MAINTENANCE

⚠ CAUTION:

- Always be sure that the appliance is switched off, and the battery cartridge is removed before attempting to perform inspection or maintenance.
- Never use gasoline, benzene, thinner, alcohol or the like. Discoloration, deformation or cracks may result.

Only maintenance work described in this instruction manual may be performed by the user. Any other work must be carried out by Makita authorized service centers.

Cleaning

⚠ CAUTION:

- Never wash the appliance in water.
- From time to time wipe off the outside (appliance body) of the appliance using a cloth dampened in soapy water.

OPTIONAL ACCESSORIES

⚠ CAUTION:

- These accessories or attachments are recommended for use with your Makita appliance specified in this manual. The use of any other accessories or attachments might present a risk of injury to persons. Only use accessory or attachment for its stated purpose.

If you need any assistance for more details regarding these accessories, ask your local Makita service center.

- Makita genuine battery and charger
- Tripod [Part No: GM00002073]

NOTE:

- Some items in the list may be included in the appliance package as standard accessories. They may differ from country to country.

PORTUGUÊS DO BRASIL (Instruções originais)

Explicação da visão geral

1. Tampa da trava
2. Tampa da bateria
3. Lâmpadas do indicador
4. Botão de verificação
5. Interruptor
6. Ajuste de brilho da tela
7. Botão

ESPECIFICAÇÕES

Modelo:	ML003G
LED	20pcs, 12W
Fonte de alimentação	14,4/18/36V DC
Dimensões (C x L x A)	249 mm x 298 mm x 280 mm
Peso líquido	3,4 kg
Área receptora de pressão	0,06 m ²
Grau de proteção	IP65

- As especificações podem ser diferentes de acordo com o país.
- As dimensões são com a alça abaixada
- O peso não inclui o cartucho de bateria
- Devido ao nosso programa contínuo de pesquisa e desenvolvimento, as especificações neste documento estão sujeitas a alterações sem aviso prévio.

Cartucho de bateria aplicável e tempo de operação

Voltagem	Cartucho de bateria aplicável	Tempo de operação (Aproximado)	
		Alto	Baixo
14,4V	BL1415N	1,6 horas	4,0 horas
	BL1430B	3,0 horas	8,0 horas
	BL1440	4,0 horas	10 horas
	BL1460B	5,5 horas	13 horas
18V	BL1815N	2,0 horas	5,0 horas
	BL1820B	2,9 horas	7,0 horas
	BL1830B	4,0 horas	9,0 horas
	BL1840B	5,5 horas	13 horas
	BL1850B	7,0 horas	17 horas
	BL1860B	8,5 horas	21 horas
36V	BL4020	5,0 horas	12 horas
	BL4025	6,0 horas	14 horas
	BL4040	10 horas	22 horas
	BL4050F	13 horas	30 horas

- Alguns dos cartuchos de baterias listados acima podem não estar disponíveis dependendo do seu local de residência.
- O tempo de operação pode diferir de acordo com o tipo de bateria, carga e condições de uso.

⚠ AVISO: Use apenas os cartuchos de bateria listados acima. O uso de qualquer outro cartucho de bateria pode causar acidentes e/ou incêndio.

Símbolos

A seguir estão os símbolos utilizados no equipamento. Certifique-se de que compreenda o significado antes de usar.



- Leia o manual de instruções.



- Apenas países da UE devido à presença de componentes perigosos do equipamento, resíduos de equipamentos eletro-eletrônicos, pilhas e acumuladores podem ter um impacto negativo na saúde e meio ambiente. Não descarte resíduos de equipamentos eletro-eletrônicos, pilhas ou baterias no lixo doméstico! De acordo com a Diretiva Europeia de Resíduos de Equipamentos Eletro-Eletrônicos (REEE) e de pilhas e acumuladores, assim como suas adaptações para leis nacionais, os resíduos de equipamentos eletro-eletrônicos, baterias, pilhas ou acumuladores deve ser armazenados separadamente e entregues em um ponto de coleta, de acordo com as regulações locais e normas de proteção ambiental. Isto é indicado pelo símbolo de uma lata de lixo com uma cruz em cima no equipamento.



- Radiação Óptica (UV e IR). Minimize a exposição dos olhos ou pele.



- Não olhe direto para a lâmpada em operação.



- Use protetor facial ou proteção para os olhos adequados.



- Tenha cuidado e atenção!

INSTRUÇÕES IMPORTANTES DE SEGURANÇA

⚠ AVISO: Ao usar aparelhos, as precauções básicas de segurança sempre devem ser seguidas para reduzir o risco de incêndio, choque elétrico e acidentes pessoais, incluindo as seguintes:

LEIA TODAS AS INSTRUÇÕES.

1. Não olhe diretamente para a luz nem exponha os olhos à luz. Os olhos podem ser danificados.
2. Não cubra a lâmpada com pano, papelão, etc, pois isso poderá causar incêndio.
3. Não a exponha à chuva ou neve. Não lave-a com água.
4. Não toque na parte interna do aparelho com pinças, ferramentas metálicas, etc.
5. Quando o aparelho não estiver em uso, sempre desligue-o e remova o cartucho de bateria.

6. Não exponha o aparelho a choques como quedas, impactos, etc.
7. Informações de segurança sobre luminárias portáteis com bateria.
 - O descarte de bateria deve ser feito seguindo os regulamentos locais que tratam da eliminação de materiais perigosos.
 - Não jogue a bateria no fogo.
8. Informações adicionais para luminárias.
 - A fonte de luz contida nesta luminária deve ser substituída somente pelo fabricante ou seu agente de assistência técnica ou pessoa similar qualificada.
9. Uso e cuidados com a bateria.
 - **AVISO:** Leia todos os avisos de segurança e todas as instruções. A falha em seguir os avisos e instruções pode resultar em choque elétrico, incêndio e/ou ferimentos graves
 - Evite o acionamento acidental. Certifique-se de que a chave esteja na posição desligada antes de conectar à bateria, levantar ou carregar o aparelho. Carregar o aparelho com a chave na posição ligada é um convite a acidentes.
 - Desconecte o pacote de bateria do aparelho antes de fazer quaisquer ajustes, trocar acessórios, ou armazenar o aparelho. Essas medidas preventivas de segurança reduzem o risco do acionamento acidental do aparelho.
 - Recarregue somente com o carregador especificado pelo fabricante. Um carregador adequado para um tipo de bateria pode criar riscos de incêndio quando usado com outra bateria.
 - Use os aparelhos apenas com as baterias designadas especificamente. O uso de qualquer outra bateria pode causar acidentes e incêndio.
 - Quando a bateria não estiver em uso, mantenha-a afastada de objetos metálicos, como cliques de papel, moedas, chaves, pregos, parafusos ou qualquer outro objeto metálico pequeno que possa fazer uma conexão de um terminal ao outro. Um curto-circuito nos terminais da bateria pode causar queimaduras e/ou fogo.
 - Em condições extremas, o líquido pode ser ejetado da bateria. Evite contato. Se o contato ocorrer acidentalmente, enxágue com água. Se o líquido entrar em contato com os olhos, busque assistência médica. O líquido ejetado da bateria pode causar irritação ou queimaduras.
 - Não use uma bateria ou aparelho que esteja danificado ou modificado. Baterias danificadas ou modificadas podem apresentar comportamento imprevisível que resulta em fogo, explosão ou risco de lesões.
 - Não exponha uma bateria ou aparelho a fogo ou temperaturas excessivas. A exposição ao fogo ou temperatura acima de 130 °C (265 °F) podem causar explosão.
 - Siga todas as instruções de carregamento e não carregue a bateria ou aparelho fora do intervalo de temperatura especificado nas instruções. Carregar inadequadamente ou em temperaturas fora do intervalo especificado pode danificar a bateria e aumentar o risco de incêndio.
 - Solicite assistência técnica prestada somente por uma pessoa qualificada para manutenção usando apenas peças de reposição idênticas. Isso garantirá a manutenção de segurança do produto.
 - Não modifique ou tente reparar o aparelho ou a bateria, exceto conforme indicado nas instruções de uso e cuidado.

10. Instruções de segurança para o cartucho de bateria.
- Antes de usar o cartucho de bateria, leia todas as instruções e marcas de atenção (1) no carregador da bateria, (2) na bateria e (3) no produto que usa a bateria.
 - Não desmonte nem viole o cartucho de bateria. Isso pode resultar em incêndio, calor excessivo ou explosão.
 - Se o tempo de operação se tornar excessivamente mais curto, interrompa imediatamente a operação. Isso pode resultar em risco de sobreaquecimento, possíveis queimaduras e até mesmo explosão.
 - Se os eletrólitos entrarem em seus olhos, lave-os com água limpa e busque assistência médica imediatamente. Isso pode resultar na perda de sua visão.
 - Não provoque curto-circuito no cartucho de bateria.
 - Não armazene nem use a ferramenta e o cartucho de bateria em locais onde a temperatura possa alcançar ou exceder 50 °C (122 °F).
 - Não pregue, corte, esmague, arremesse, deixe o cartucho de bateria cair nem bata nele com um objeto sólido. Isso pode resultar em incêndio, gerar calor excessivo ou explosão.
 - Não use uma bateria danificada.
 - As baterias de íon-lítio contidas estão sujeitas aos requisitos dos Regulamentos sobre Artigos Perigosos. Para o transporte comercial, como despachantes ou por terceiros, deve ser observado os requisitos especiais da embalagem e rótulo. Para preparação do item a ser enviado, é necessário consultar um especialista em materiais perigosos. Observe também as regulamentações nacionais possivelmente mais detalhadas. Proteja com fita ou máscara os contatos abertos e embale a bateria de forma que não possa se mover na embalagem.
 - Use as baterias somente com produtos especificados pela Makita. Instalar as baterias em produtos que não estejam em conformidade pode resultar em incêndio, aquecimento excessivo, explosão ou vazamento de eletrólitos.
 - Se a ferramenta não for usada por um longo período de tempo, a bateria deve ser removida da ferramenta.
 - Durante e após o uso, o cartucho da bateria pode acumular calor, o que pode causar queimaduras por alta ou baixa temperatura. Preste atenção no manuseio de cartuchos de bateria quentes.
 - Não toque no terminal da ferramenta imediatamente após o uso, uma vez que pode ficar quente o suficiente para causar queimaduras.
 - Não deixe que lascas, pó ou sujeira obstruam os terminais, orifícios e ranhuras do cartucho da bateria. Isso pode resultar em baixo desempenho ou quebrar a ferramenta ou cartucho da bateria.
 - Exceto se a ferramenta for compatível com o uso próximo a linhas de energia de alta tensão, não utilize o cartucho de bateria próximo a linhas de alta tensão. Isso pode resultar em problemas de funcionamento ou quebrar a ferramenta ou cartucho da bateria.
 - Mantenha a bateria longe de crianças.
11. Dicas de manutenção para a vida máxima da bateria.
- Carregue o cartucho de bateria antes de descarregar completamente. Sempre interrompa a operação da ferramenta e carregue o cartucho da bateria ao observar menos potência do dispositivo.
 - Nunca recarregue um cartucho de bateria completamente carregado. Sobrecarregar encurta a vida útil da bateria.
 - Carregue o cartucho de bateria em temperatura ambiente a 10 °C - 40 °C (50 °F - 104 °F). Espere um cartucho de bateria quente resfriar antes de carregá-lo.

- Quando não estiver usando o cartucho da bateria, remova-o da ferramenta ou do carregador.
- Carregue o cartucho de bateria se não usá-lo por um longo período (mais de seis meses).

⚠ CUIDADO: Use apenas baterias genuínas da Makita. O uso de baterias Makita não originais ou de baterias que tenham sido alteradas pode resultar na explosão da bateria, causando incêndio, lesões pessoais e danos. Isso também anula a garantia da Makita com relação à ferramenta e o carregador Makita

Guarde todos os avisos e instruções para futuras referências.

DESCRIÇÃO FUNCIONAL

⚠ CUIDADO:

- Sempre se certifique de que o aparelho esteja desligado da tomada e que o cartucho de bateria seja removido antes de ajustar ou verificar o funcionamento do aparelho.

Instalar ou remover o cartucho de bateria

⚠ CUIDADO:

- **Segure o aparelho e o cartucho de bateria firmemente ao instalar ou remover a bateria.**
A falha ao segurar o aparelho e o cartucho de bateria firmemente pode fazer com que escorreguem de suas mãos e resultar em danos ao aparelho e ao cartucho de bateria e em lesão pessoal.
- Cuidado para não prender o(s) dedo(s) entre o aparelho e a bateria ao instalá-la, bem como ao fechar a tampa da bateria.

Para instalar o cartucho de bateria, solte a tampa da trava e abra a tampa da bateria. (**Fig. 1**)
Insira o cartucho da bateria. Alinhe a lingueta ao cartucho da bateria com a ranhura no compartimento e deslize-o até encaixar corretamente. Insira até travar com um pequeno clique. Se o indicador estiver vermelho no lado superior do botão, ele não está completamente travado. Depois feche a tampa da bateria.
Para remover o cartucho da bateria, deslize-o para fora do aparelho enquanto desliza o botão na frente do cartucho. (**Fig. 2**)

⚠ CUIDADO:

- Sempre instale o cartucho de bateria completamente. Se não, pode cair acidentalmente do aparelho, causando lesões a você ou a pessoas próximas.
- Não instale o cartucho de bateria à força. Se o cartucho não deslizar facilmente, não está sendo inserido corretamente.

Indicando a capacidade restante da bateria (Fig. 3)

(Apenas para cartuchos de bateria com indicador)

Pressione o botão de verificação no cartucho de bateria para indicar a capacidade restante da bateria. As lâmpadas do indicador piscam por alguns segundos.

Lâmpadas do indicador			Capacidade restante
Acesa	Deslig	Piscando	
■ ■ ■ ■			75% a 100%
■ ■ ■ □			50% a 75%
■ ■ □ □			25% a 50%
■ □ □ □			0% a 25%
▣ □ □ □			Carregue a bateria
■ ■ □ □ □ □ ■ ■	↑ ↓		A bateria pode estar com defeito.

OBSERVAÇÃO:

- De acordo com as condições de uso e temperatura ambiente, o indicador pode diferir levemente da capacidade atual.
- A primeira lâmpada indicadora (esquerda) piscará quando o sistema de proteção da bateria funcionar.

O uso de baterias não originais da Makita ou baterias modificadas anula a garantia do aparelho e do carregador da Makita.

Modo de ajuste da luz e brilho (Fig. 4)

- Interruptor: Pressione o interruptor uma vez para ligar a luz (o modo de brilho será o mesmo da última configuração ajustada). Pressione novamente para desligar a luz.
- Ajuste de brilho da tela: A sequência do brilho é: Cada vez que o botão é pressionado, a sequência do brilho é: alto / baixo / alto.

Sistema de proteção da bateria (Fig. 5)

O aparelho é equipado com um sistema de proteção de bateria para prolongar sua vida útil. Quando a bateria estiver baixa, as luzes de LED se apagam, exceto a luz de LED mostrada na figura. Então, após cerca de 5 a 10 minutos, o sistema desliga automaticamente a energia.

OPERANDO

⚠ CUIDADO:

- Sempre coloque o aparelho em uma superfície plana e estável. Caso contrário, um acidente devido à queda do aparelho pode ocorrer.

Ajustando o ângulo da luz (Fig. 6)

Afrouxe os botões de ambos os lados. Ajuste o ângulo da luz (a extensão do ajuste é 240°) Então, aperte os botões novamente.

⚠ CUIDADO:

Cuidado para não prender o(s) dedo(s) ao ajustar o ângulo da luz.

Usando o tripé (acessório opcional)

⚠ CUIDADO:

- Leia cuidadosamente o manual de instruções dos acessórios antes de utilizá-los com o aparelho. Você pode colocar a luz no tripé para facilitar o uso. (Fig. 7)

⚠ CUIDADO:

- Cuidado para não deixar cair o aparelho ao encaixá-lo no tripé.
- Posicione o tripé numa posição estável e em uma superfície plana para prevenir que ele caia.
- Estique as bases do tripé o máximo possível.
- Não use o tripé quando houver ventos fortes.
- Certifique-se de que o aparelho encontra-se encaixado corretamente no tripé.
- Remova o aparelho ao transportar o tripé ou ao dobrá-lo.
- Cuidado para não prender as mãos nas bases do tripé ao fechá-lo.

MANUTENÇÃO

⚠ CUIDADO:

- Sempre verifique se o aparelho está desligado e se o cartucho da bateria foi retirado antes de tentar realizar inspeção ou manutenção.
- Nunca use gasolina, benzina, diluente, álcool ou similares. Pode ocorrer descoloração, deformação ou rachaduras.

O usuário pode realizar apenas as manutenções que foram descritas neste manual de instruções. Qualquer outra manutenção deve ser feita por um serviço de assistência técnica autorizada pela Makita.

Limpeza

⚠ CUIDADO:

- Nunca limpe o aparelho na água. De vez em quando, limpe a parte externa do aparelho (corpo do aparelho) com um pano umedecido com água e sabão.

ACESSÓRIOS OPCIONAIS

⚠ CUIDADO:

- Esses acessórios são recomendados apenas para seu aparelho Makita especificado neste manual. O uso de qualquer outro acessório pode causar danos pessoais. Apenas use os acessórios na finalidade com a qual foram designados.

Caso precise de qualquer informação sobre esses acessórios, procure um serviço de assistência técnica da Makita.

- Carregador e bateria originais da Makita.
- Tripé [Parte No: GM00002073]

OBSERVAÇÃO:

- Alguns itens na lista podem estar incluídos no pacote do produto como acessório padrão. Eles podem diferir de acordo com o país.

ESPAÑOL (Instrucciones originales)

Explicación de la vista general

1. Seguro de la tapa
2. Tapa de la batería
3. Lámparas indicadoras
4. Botón de verificación
5. Interruptor
6. Modo de selección de nivel de brillo
7. Perilla

ESPECIFICACIONES

Modelo:	ML003G
LED	20pzs, 12W
Fuente de alimentación.	14,4/18/36V DC
Medidas (largo × ancho × altura)	249 mm × 298 mm × 280 mm
Peso neto	3,4 kg
Área que recibe presión.	0,06 m ²
Grado de protección.	IP65

- Las especificaciones pueden diferir de un país a otro.
- Las dimensiones incluyen la manija hacia abajo.
- El peso no incluye el cartucho de la batería.
- Debido a nuestro programa continuo de investigación y desarrollo, las especificaciones en este documento están sujetas a cambios sin previo aviso.

Cartucho de batería adecuado y tiempo de operación

Voltaje	Cartucho de batería adecuado.	Tiempo de operación (aproximado)	
		Alto	Bajo
14,4V	BL1415N	1,6 horas	4,0 horas
	BL1430B	3,0 horas	8,0 horas
	BL1440	4,0 horas	10 horas
	BL1460B	5,5 horas	13 horas
18V	BL1815N	2,0 horas	5,0 horas
	BL1820B	2,9 horas	7,0 horas
	BL1830B	4,0 horas	9,0 horas
	BL1840B	5,5 horas	13 horas
	BL1850B	7,0 horas	17 horas
	BL1860B	8,5 horas	21 horas
36V	BL4020	5,0 horas	12 horas
	BL4025	6,0 horas	14 horas
	BL4040	10 horas	22 horas
	BL4050F	13 horas	30 horas

- Es posible que algunos de los cartuchos de batería mencionados anteriormente no estén disponibles según su área de residencia.
- Los tiempos de funcionamiento pueden variar dependiendo del tipo de la batería, del estatus de la carga y de las condiciones de uso

⚠ ADVERTENCIA: utilice únicamente los cartuchos de batería mencionados anteriormente. El uso de cualquier otro tipo de cartuchos de batería podría ocasionar lesiones y/o provocar un incendio

Simbología

A continuación se muestra la simbología utilizada por el equipo.

Debe estar seguro de que entiende su significado antes de utilizar el equipo.



- Lea el manual de instrucciones.



- Únicamente para países de la Unión Europea debido a la presencia de componentes peligrosos en el equipo, de desperdicios eléctricos y equipos electrónicos, acumuladores y baterías que podrían tener un impacto negativo en el medio ambiente y en la salud ser humano. No deseche equipos eléctricos y electrónicos junto a desechos caseros. De acuerdo a las Directrices Europeas sobre desecho de equipos eléctricos y electrónicos y sobre desecho de acumuladores y baterías, así como las adaptaciones de estas directrices a nivel nacional, los desperdicios eléctricos, las baterías y los acumuladores deberán ser almacenados por separado y entregados igualmente por separado en un punto de recolección para desperdicios municipales, operando siempre de acuerdo a las regulaciones de protección ambiental. Esto está indicado por el símbolo de bote de la basura atravesado por una cruz que aparece sobre el equipo.



- Radiación óptica (UV e IR) Minimice la exposición de ojos y piel.



- No mire fijamente la lámpara cuando esté en funcionamiento.



- Use protección adecuada o protectores para los ojos.



- Tome especial cuidado y atención.

INSTRUCCIONES DE SEGURIDAD IMPORTANTES

⚠ ADVERTENCIA: cuando utilice aparatos electrodomésticos, siempre se deben seguir las precauciones básicas de seguridad para reducir el riesgo de incendio, descarga eléctrica y lesiones personales, incluyendo lo siguiente:

LEA TODAS LAS INSTRUCCIONES.

1. No mire directamente a la luz ni apunte la luz a los ojos. Los ojos pueden lesionarse.
2. No cubra la lámpara con tela o cartón, etcétera. De lo contrario, podrían producirse llamas.
3. No la deje expuesta a la lluvia o la nieve. No la lave con agua.
4. No toque el interior del aparato con pinzas, herramientas metálicas, etc.
5. Cuando el aparato no esté en uso, apáguelo siempre y desconecte/retire el cartucho de batería del aparato.

6. No permita que el aparato se caiga, se golpee, etcétera.
7. Información de seguridad para luminarias portátiles con baterías.
 - Deseche las baterías en conformidad con las reglas locales de eliminación de materiales peligrosos.
 - No quemé la batería.
8. Información adicional para luminarias.
 - La fuente de luz contenida en esta luminaria solo será sustituida por el fabricante, su agente de mantenimiento o una persona calificada similar.
9. Usos y cuidados de la herramienta a batería.
 - **ADVERTENCIA:** Lea todas las precauciones y las instrucciones de seguridad. No seguir las precauciones y las instrucciones podría dar como resultado una descarga eléctrica, un incendio y/o una lesión grave.
 - Evite el encendido involuntario. Asegúrese de que el interruptor esté en posición de apagado antes de conectar el paquete de baterías, recoger o transportar el aparato. Transportar el aparato con el dedo en el interruptor, o alimentar el aparato con el interruptor encendido puede causar accidentes.
 - Desconecte la batería del aparato antes de realizar cualquier ajuste, cambiar accesorios o almacenarlo. Estas medidas de seguridad preventivas reducen el riesgo de encender el aparato accidentalmente.
 - Recárguelo solo con el cargador especificado por el fabricante. Un cargador que es adecuado para determinado tipo de batería puede crear un riesgo de incendio cuando se utiliza con otra batería.
 - Utilice aparatos solo con baterías indicadas específicamente. El uso de cualquier otro paquete de baterías puede conllevar riesgo de lesiones e incendio.
 - Cuando la batería no esté en uso, manténgala alejada de otros objetos metálicos, como clips de papel, monedas, llaves, clavos, tornillos u otros objetos metálicos pequeños, que puedan crear una conexión de un terminal a otro. El cortocircuito de los terminales de la batería puede causar quemaduras o un incendio.
 - En condiciones de mal uso, de la batería puede salir líquido; evite el contacto. Si se produce un contacto accidental, enjuáguese con agua. Si el líquido entra en contacto con los ojos, busque además ayuda médica. El líquido que sale de la batería puede causar irritación o quemaduras.
 - No utilice una batería o un aparato que esté dañado o modificado. Las baterías dañadas o modificadas pueden tener un comportamiento impredecible que resulte en incendio, explosión o riesgo de lesiones.
 - No exponga una batería o un aparato al fuego o a una temperatura excesiva. La exposición al fuego o a una temperatura por encima de 130 °C (265 °F) puede causar una explosión.
 - Siga todas las instrucciones de carga y no cargue la batería o el aparato cuando se exceda el rango de temperatura especificado en las instrucciones. La carga incorrecta o a temperaturas fuera del rango especificado puede dañar la batería y aumentar el riesgo de incendio.
 - El mantenimiento debe ser realizado por un técnico calificado utilizando solo piezas de repuesto idénticas. Esto garantizará que se respete la seguridad del producto.
 - No modifique ni intente reparar el aparato o la batería, excepto como se indica en las instrucciones de uso y de cuidados.

10. Instrucciones importantes de seguridad sobre el cartucho de la batería.
- Antes de usar el cartucho de batería, lea todas las instrucciones y marcas de precaución en (1) el cargador de la batería, (2) la batería y (3) el producto que usa la batería.
 - No desensamble o manipule el cartucho de la batería. Podría dar como resultado un incendio, calor excesivo o una explosión.
 - Si el tiempo de funcionamiento se ha vuelto excesivamente más corto, deje de operar el aparato de inmediato. Puede haber un riesgo de sobrecalentamiento, posibles quemaduras e incluso una explosión.
 - Si el electrolito le entra en los ojos, enjuágueselos con agua limpia y busque atención médica de inmediato. Podría producirse pérdida de la visión.
 - No provoque cortocircuitos en el cartucho de la batería.
 - No almacene la herramienta ni el cartucho de la batería en lugares donde la temperatura pueda alcanzar o superar los 50 °C (122 °F).
 - No clave, corte, apriete, arroje, deje caer el cartucho de la batería o golpee contra un objeto duro. Podría dar como resultado un incendio, calor excesivo o una explosión.
 - No utilice una batería dañada.
 - Las baterías de iones de litio contenidas están sujetas a los requisitos de la legislación sobre mercancías peligrosas. En los transportes comerciales, por ejemplo, por terceros, deben observarse requisitos especiales en el embalaje y el etiquetado. Para la preparación del artículo que se transporta, se requiere consultar a un experto en materiales peligrosos. Por favor, observe también las regulaciones nacionales que, posiblemente, sean más detalladas. Tape o enmascare los contactos abiertos y empaque la batería de tal manera que no pueda moverse en el embalaje.
 - Utilice las baterías únicamente con los productos especificados por Makita. La instalación de las baterías en productos que incumplen las normas puede provocar incendios, calor excesivo, una explosión o una fuga de electrolitos.
 - Si el aparato no se utiliza durante un largo período, la batería debe retirarse del aparato.
 - Durante y después del uso, el cartucho de la batería podría calentarse y causar quemaduras o quemaduras de bajas temperaturas. Preste atención a la manipulación de cartuchos de baterías calientes.
 - No toque el terminal de la herramienta inmediatamente después de usarla, porque podría estar suficientemente caliente como para quemar lo.
 - No permita astillas, polvo o tierra atascada en los terminales, los orificios y las ranuras del cartucho de la batería. Podría dar como resultado bajo rendimiento o avería de la herramienta o el cartucho de la batería.
 - A menos que la herramienta sea compatible con el uso cercano de líneas eléctricas de alto voltaje, no use el cartucho de la batería cerca de las líneas eléctricas de alto voltaje. Podría dar como resultado una falla o una avería de la herramienta o el cartucho de la batería.
 - Mantenga la batería fuera del alcance de los niños.
11. Consejos para conservar la máxima duración de la batería.
- Cargue el cartucho de la batería antes de que se descargue por completo. Detenga siempre el funcionamiento de la herramienta y cargue el cartucho de la batería cuando observe menos potencia en la herramienta.
 - Nunca recargue un cartucho de batería completamente cargado. La sobrecarga acorta la vida útil de la batería.
 - Cargue el cartucho de la batería a temperatura ambiente a 10 °C - 40 °C (50 °F - 104 °F). Si el cartucho de batería está caliente permita que se enfríe antes de cargarlo.

- Cuando no use el cartucho de la batería, retírelo de la herramienta o el cargador.
- Cargue el cartucho de batería si no lo utiliza durante un período prolongado (más de seis meses).

⚠ PRECAUCIÓN: Use únicamente las baterías originales Makita. El uso de baterías Makita no originales, o de baterías que se hayan alterado, puede causar la explosión de la batería, incendios, lesiones personales y daños. También anulará la garantía de Makita para la herramienta y el cargador.

Guarde todas las advertencias e instructivos para futuras referencias.

DESCRIPCIÓN FUNCIONAL

⚠ PRECAUCIÓN:

- Asegúrese siempre de que el aparato esté apagado y de que el cartucho de la batería se haya extraído antes de ajustar o comprobar el funcionamiento del aparato.

Instalación o extracción del cartucho de la batería

⚠ PRECAUCIÓN:

- **Sujete firmemente el aparato y el cartucho de batería al instalar o extraer el cartucho de batería.** Si no se sujeta el aparato y el cartucho de la batería firmemente, es posible que se les escape de las manos y se dañen el aparato y el cartucho de la batería y se produzca una lesión personal.
- Tenga cuidado de no machucar sus dedos entre el equipo y el cartucho de la batería cuando instale el cartucho de la batería, así como entre el equipo y la tapa de la batería cuando cierre la tapa de ésta.

Para instalar el cartucho de la batería, libere el seguro de la tapa y abra la tapa de la batería. (Fig. 1)

Inserte el cartucho de la batería. Alinee la lengüeta del cartucho de batería con la ranura de la carcasa y deslícela hasta que quede en su lugar. Insértela hasta que quede fija en su lugar y escuche un breve clic. Si puede ver el indicador rojo en la parte superior del botón, no está completamente fija. Enseguida cierre la tapa de la batería. Para retirar el cartucho de la batería, deslícelo del aparato al tiempo que desliza el botón en el frente del cartucho. (Fig. 2)

⚠ PRECAUCIÓN:

- Siempre instale el cartucho de la batería de manera completa en su lugar. Si no es así, puede caerse accidentalmente del aparato, lo que le causará lesiones a usted o a alguien cercano.
- No instale el cartucho de batería por la fuerza. Si el cartucho no se desliza fácilmente, no se está insertando correctamente.

Indicador de la capacidad restante de la batería (Fig. 3)

(Solamente para cartuchos de batería con indicador)
Pulse el botón de verificación del cartucho de batería para indicar la capacidad restante de la batería. Las luces indicadoras se encienden durante unos segundos.

Lámparas indicadoras			Capacidad restante.
Encendido.	Apagado	Parpadeando.	
			De 75% a 100%
			De 50% a 75%
			De 25% a 50%
			De 0% a 25%
			Cargue la batería.
			La batería podría estar presentando un mal funcionamiento.

AVISO:

- Dependiendo de las condiciones de uso y de la temperatura ambiente, la indicación podría variar ligeramente respecto a la capacidad actual.
- La primera lámpara indicadora (en el extremo izquierdo) parpadeará cuando funcione el sistema de protección de la batería.

El uso de baterías Makita no originales o de baterías que hayan sido modificadas cancelará la garantía Makita del equipo Makita y del cargador.

Para encender la luz y la selección del nivel de brillo (Fig. 4)

1. Interruptor: Oprima el interruptor una vez y la luz se encenderá (Al mismo nivel de brillo de la última configuración). Oprima nuevamente el interruptor y la luz se apagará.
2. Modo de selección de nivel de brillo: La secuencia del brillo es: Modo Alto / Modo Bajo / Modo Alto para cada vez que oprima el interruptor cuando la luz esté encendida.

Sistema de protección de la batería (Fig. 5)

El aparato está equipado con un sistema de protección de la batería a fin de extender la vida de ésta. Cuando la capacidad de la batería sea baja, las luces LED se apagarán a excepción de una luz LED tal como se muestra. Después de aproximadamente entre 5 y 10 minutos el sistema cortará la fuente de energía de manera automática.

OPERACIÓN

⚠ PRECAUCIÓN:

- Siempre coloque el equipo en un lugar plano y estable. De otro modo podría caerse ocasionando un accidente.

Ajuste el ángulo de la luz (Fig. 6)

Afloje las perillas en ambos lados. Ajuste el ángulo de la luz (el rango de ajuste es de 240°) Enseguida apriete nuevamente las perillas.

⚠ PRECAUCIÓN:

Tenga cuidado de no machucarse los dedos cuando ajuste el ángulo de la luz.

Uso de trípodes (accesorios opcionales)

⚠ PRECAUCIÓN:

- Lea cuidadosamente los manuales instructivos de los accesorios antes de utilizarlos con la luz.
- Puede poner la luz sobre el trípode para facilitar la operación. (Fig. 7)

⚠ PRECAUCIÓN:

- Tenga cuidado de no tirar el equipo cuando una éste sobre el trípode.
- Ponga el trípode en una superficie estable para prevenir caídas.
- Abra las patas del trípode al máximo.
- No use el trípode si el viento sopla fuerte.
- Asegúrese de que el equipo esté unido al trípode de manera segura.
- Retire el equipo cuando cargue el trípode o cuando doble las patas del mismo.
- Tenga cuidado de no machucarse las manos entre las patas del trípode cuando lo cierre.

MANTENIMIENTO

⚠ PRECAUCIÓN:

- Asegúrese siempre de que el aparato esté apagado y de que el cartucho de batería se retire antes de intentar realizar una inspección o mantenimiento.
- Nunca use gasolina, benceno, diluyente, alcohol o productos similares. Pueden producirse decoloración, deformación o grietas.

Únicamente el trabajo de mantenimiento tal como está descrito en el manual instructivo podrá ser llevado a cabo por el usuario. Cualquier otro trabajo deberá ser llevado a cabo por un centro de servicio autorizado Makita.

Limpieza.

⚠ PRECAUCIÓN:

- Nunca lave el equipo dentro de agua.
- Limpie de vez en cuando el exterior (cuerpo del equipo) utilizando una tela previamente humedecida en agua jabonosa.

ACCESORIOS OPCIONALES

⚠ PRECAUCIÓN:

- Estos accesorios son los recomendados para ser usados con su equipo Makita tal como está especificado en este manual. El uso de cualquier otro tipo de accesorios podría presentar riesgo de lesiones para personas. Use únicamente accesorios destinados para su propósito especificado.

Si requiere cualquier tipo de asistencia para más detalles respecto a estos accesorios, llame su centro de servicio local Makita.

- Batería y cargador auténtico Makita.
- Trípode [Número de Parte: GM00002073]

AVISO:

- Algunos de los ítems en esta lista podrían estar incluidos en el paquete del equipo como accesorios estándares. Estos podrían variar entre un país y otro.

Makita Corporation

3-11-8, Sumiyoshi-cho,
Anjo, Aichi 446-8502 Japan