



MX

MEXICO

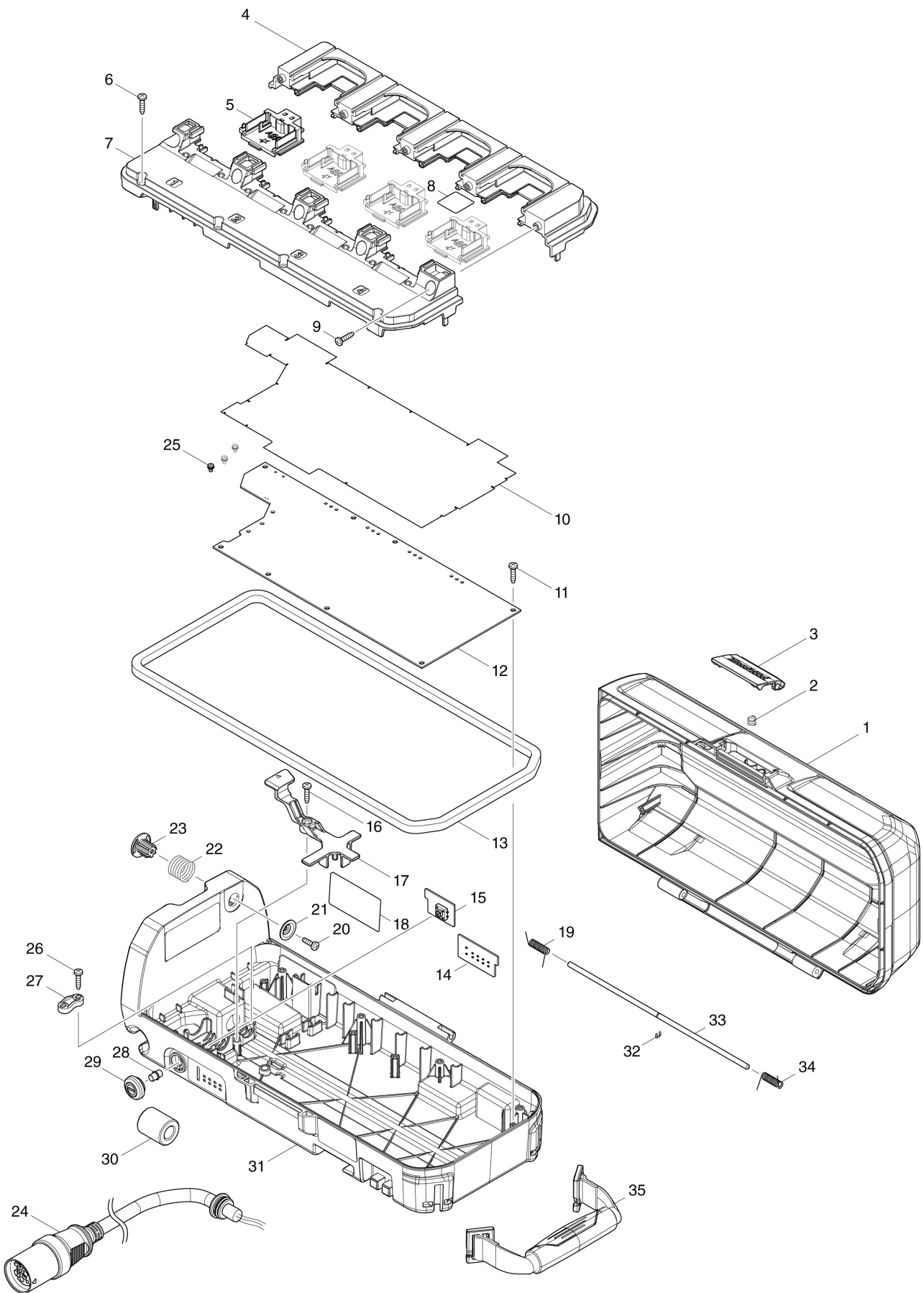
Diagram / Parts List

PDC01

PORTABLE POWER PACK



(MX) PDC01 / PORTABLE POWER PACK



MX**MEXICO****PDC01 / PORTABLE POWER PACK**

Item	Sub	Parts No.	Parts Description	Qty	I/C	E/C No.	Close No.	Remark
001		140M87-9	COVER COMPLETE	1			D6793	
	C10	819S50-6	INDICATION LABEL	1			D6793	
001-1		140M87-9	COVER COMPLETE	1	O	D6793		
	C10	819S50-6	INDICATION LABEL	1		D6793		
002		232537-1	COMPRESSION SPRING 7	1				
003		459465-7	LATCH A	1				
004		183M63-0	TERMINAL HOUSING SET	1				
	D10		INC. 7					
005		643540-1	TERMINAL	4				
006		266326-2	TAPPING SCREW 4X18	8				
007		183M63-0	TERMINAL HOUSING SET	1				
	D10		INC. 4					
008		855Y14-2	PDC01 DATE CODE LABEL	1				
009		266326-2	TAPPING SCREW 4X18	5				
010		680398-7	POLYCARBONATE SHEET	1				
011		266326-2	TAPPING SCREW 4X18	8				
012		620B46-8	CONTROLLER	1				
013		422468-4	PACKING	1				
014		620B50-7	INDICATION CIRCUIT	1				
015		620B51-5	SWITCH CIRCUIT	1				
016		266326-2	TAPPING SCREW 4X18	1				
017		459532-8	CORD COVER	1				
018		855Y13-4	PDC01 NAME PLATE	1				
019		232536-3	TORSION SPRING 5	1				
020		266385-6	TAPPING SCREW 4X14	1				
021		253444-5	CUP WASHER4	1				
022		232538-9	COMPRESSION SPRING 19	1				
023		459471-2	LOCK BUTTON	1				
024A		699135-8	POWER SUPPLY CORD UNIT	1			D2004	
	C10	682109-6	GROMMET	1			D2004	
024B		699135-8	POWER SUPPLY CORD UNIT	1			D2004	
	C10	682109-6	GROMMET	1			D2004	
024C		699135-8	POWER SUPPLY CORD UNIT	1			D2004	
	C10	682109-6	GROMMET	1			D2004	
024D		699135-8	POWER SUPPLY CORD UNIT	1			D2004	
	C10	682109-6	GROMMET	1			D2004	
024-1A		699154-4	POWER SUPPLY CORD UNIT	1		D2004		
	C10	682115-1	GROMMET	1		D2004		
024-1B		699154-4	POWER SUPPLY CORD UNIT	1		D2004		
	C10	682115-1	GROMMET	1		D2004		
024-1C		699154-4	POWER SUPPLY CORD UNIT	1		D2004		
	C10	682115-1	GROMMET	1		D2004		
024-1D		699154-4	POWER SUPPLY CORD UNIT	1		D2004		
	C10	682115-1	GROMMET	1		D2004		
024-1E		699154-4	POWER SUPPLY CORD UNIT	1				
	C10	682115-1	GROMMET	1				
025		652069-6	FLAT HEAD SCREW M3X6	3				
026		266326-2	TAPPING SCREW 4X18	2				
027		687149-9	STRAIN RELIEF	1				
028		459470-4	SWITCH PIN	1				
029		422469-2	SWITCH BUTTON	1				
030		688233-3	LINE FILTER	1				
031A		140M86-1	FRAME COMPLETE	1			D1912	
	C10	819S49-1	INDICATION LABEL	1			D1912	
	C20	819V03-3	CAUTION LABEL	1			D1912	
	C30	819S53-0	INDICATION LABEL	1			D1912	
031B		140M86-1	FRAME COMPLETE	1			D1912	
	C10	819S49-1	INDICATION LABEL	1			D1912	
	C20	819V03-3	CAUTION LABEL	1			D1912	
	C30	819S53-0	INDICATION LABEL	1			D1912	
031C		140M86-1	FRAME COMPLETE	1			D1912	
	C10	819S49-1	INDICATION LABEL	1			D1912	
	C20	819V03-3	CAUTION LABEL	1			D1912	
	C30	819S53-0	INDICATION LABEL	1			D1912	
031D		140M86-1	FRAME COMPLETE	1			D1912	

A:PDC01(N)
B:PDC01(N)
C:PDC01(L)
D:PDC01(L)
E:PDC01(N)

Interchange
O : Yes
X : No
< : the new part can be substituted for the current.
> : the current part can be substituted for the new.
S : Interchangeable as a set.

MX

MEXICO

PDC01 / PORTABLE POWER PACK

Item	Sub	Parts No.	Parts Description	Qty	I/C	E/C No.	Close No.	Remark
	C10	819S49-1	INDICATION LABEL	1			D1912	
	C20	819V03-3	CAUTION LABEL	1			D1912	
	C30	819S53-0	INDICATION LABEL	1			D1912	
031-1A		140M86-1	FRAME COMPLETE	1	<	D1912		
	C10	819S49-1	INDICATION LABEL	1		D1912		
	C20	819V03-3	CAUTION LABEL	1		D1912		
	C30	819S53-0	INDICATION LABEL	1		D1912		
031-1B		140M86-1	FRAME COMPLETE	1	<	D1912		
	C10	819S49-1	INDICATION LABEL	1		D1912		
	C20	819V03-3	CAUTION LABEL	1		D1912		
	C30	819S53-0	INDICATION LABEL	1		D1912		
031-1C		140M86-1	FRAME COMPLETE	1	<	D1912		
	C10	819S49-1	INDICATION LABEL	1		D1912		
	C20	819V03-3	CAUTION LABEL	1		D1912		
	C30	819S53-0	INDICATION LABEL	1		D1912		
031-1D		140M86-1	FRAME COMPLETE	1	<	D1912		
	C10	819S49-1	INDICATION LABEL	1		D1912		
	C20	819V03-3	CAUTION LABEL	1		D1912		
	C30	819S53-0	INDICATION LABEL	1		D1912		
031-1E		140M86-1	FRAME COMPLETE	1				
	C10	819S49-1	INDICATION LABEL	1				
	C20	819V03-3	CAUTION LABEL	1				
	C30	819S53-0	INDICATION LABEL	1				
032		961017-7	STOP RING E-3	1				
033A		256883-8	ROD 4	1			D1912	
033B		256883-8	ROD 4	1			D1912	
033C		256883-8	ROD 4	1			D1912	
033D		256883-8	ROD 4	1			D1912	
033-1A		256883-8	ROD 4	1	<	D1912		
033-1B		256883-8	ROD 4	1	<	D1912		
033-1C		256883-8	ROD 4	1	<	D1912		
033-1D		256883-8	ROD 4	1	<	D1912		
033-1E		256883-8	ROD 4	1				
034		232541-0	TORSION SPRING 5	1				
035		162658-4	HANDLE COMPLETE	1				
A01		127347-8	HARNESS ASSEMBLY	1			D4964	
	D10		COMPO-PARTS				D4964	
A01-1		127347-8	HARNESS ASSEMBLY	1	<	D4964	D5925	
	D10		COMPO-PARTS			D4964	D5925	
A01-2		127347-8	HARNESS ASSEMBLY	1	O	D5925	D5596	
	D10		COMPO-PARTS			D5925	D5596	
A01-3		127347-8	HARNESS ASSEMBLY	1	<	D5596		
	D10		COMPO-PARTS			D5596		
A02A		191A52-9	ADAPTER SET	1			D2004	
	D10		COMPO-PARTS				D2004	
A02B		191A52-9	ADAPTER SET	1			D2004	
	D10		COMPO-PARTS				D2004	
A02C		191A52-9	ADAPTER SET	1			D2004	
	D10		COMPO-PARTS				D2004	
A02D		191A52-9	ADAPTER SET	1			D2004	
	D10		COMPO-PARTS				D2004	
A02-1A		191J51-5	ADAPTER SET	1	<	D2004		
	D10		COMPO-PARTS			D2004		
A02-1B		191J51-5	ADAPTER SET	1	<	D2004		
	D10		COMPO-PARTS			D2004		
A02-1C		191J51-5	ADAPTER SET	1	<	D2004		
	D10		COMPO-PARTS			D2004		
A02-1D		191J51-5	ADAPTER SET	1	<	D2004		
	D10		COMPO-PARTS			D2004		
A03A		191A53-7	ADAPTER SET	1			D2004	
	D10		COMPO-PARTS				D2004	
A03C		191A53-7	ADAPTER SET	1			D2004	
	D10		COMPO-PARTS				D2004	
A03-1A		191J50-7	ADAPTER SET	1	<	D2004		
	D10		COMPO-PARTS			D2004		

A:PDC01(N)
B:PDC01(N)
C:PDC01(L)
D:PDC01(L)
E:PDC01(N)

Interchange
O : Yes
X : No
< : the new part can be substituted for the current.
> : the current part can be substituted for the new.
S : Interchangeable as a set.

