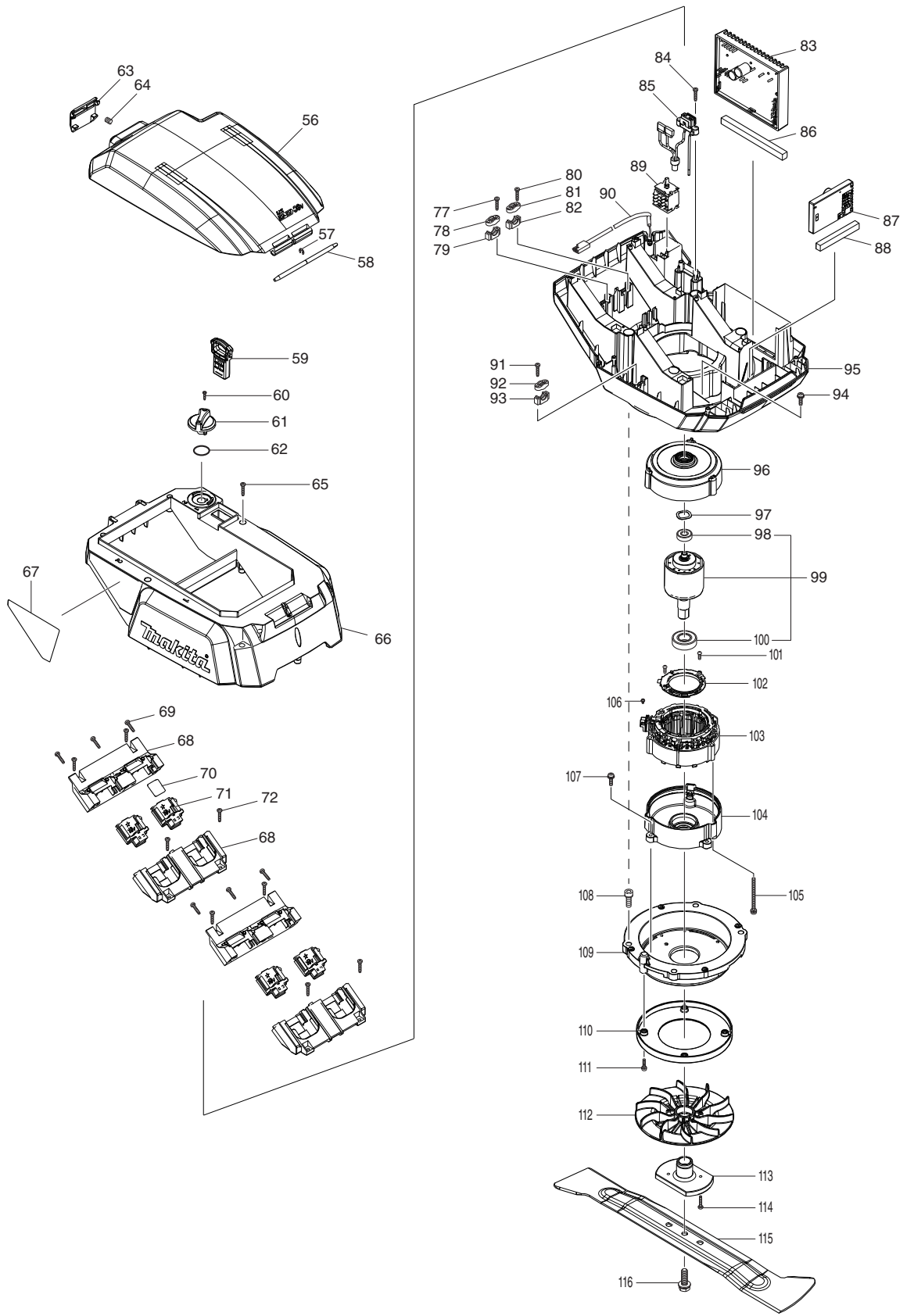
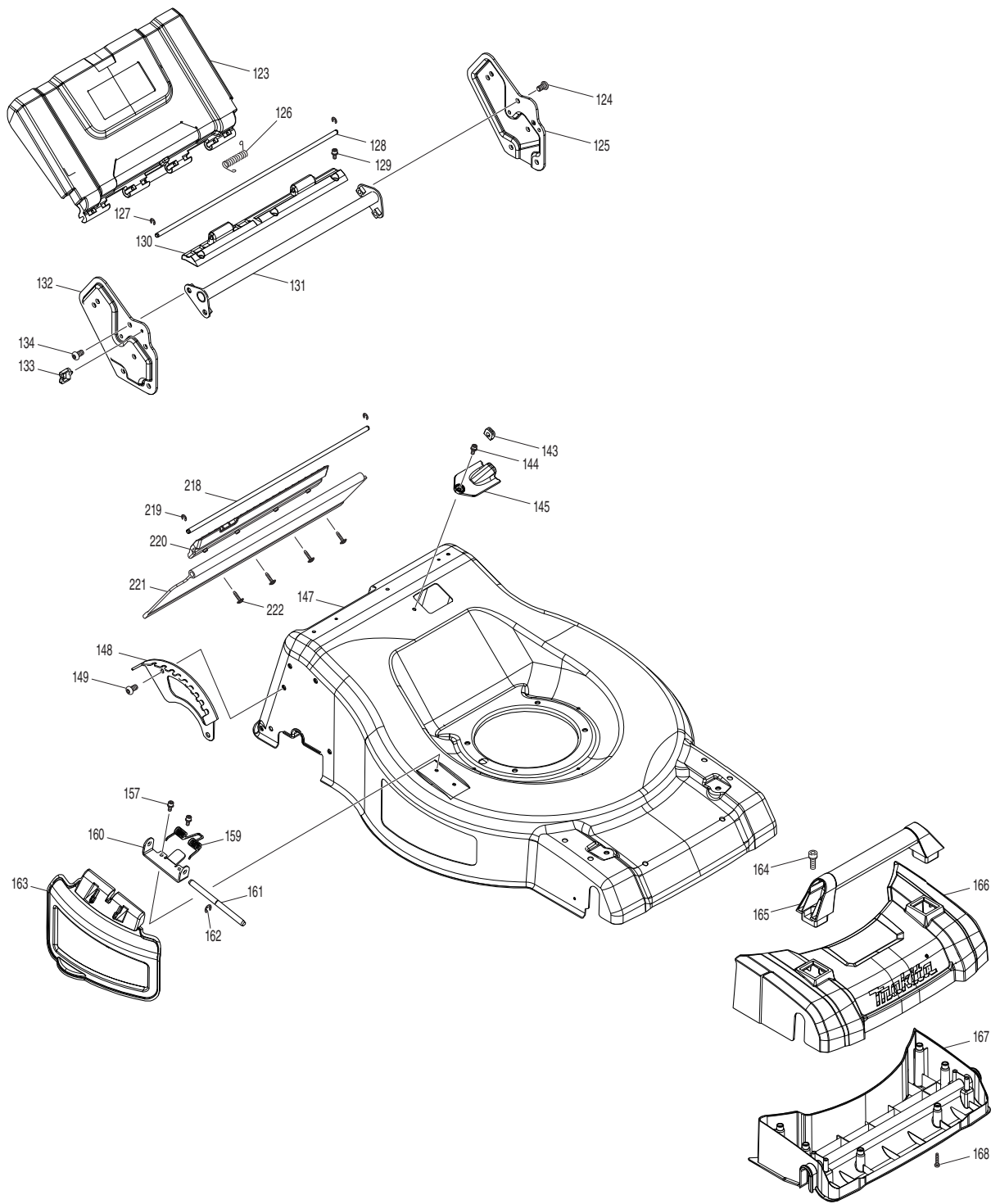
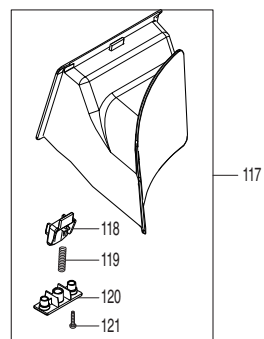
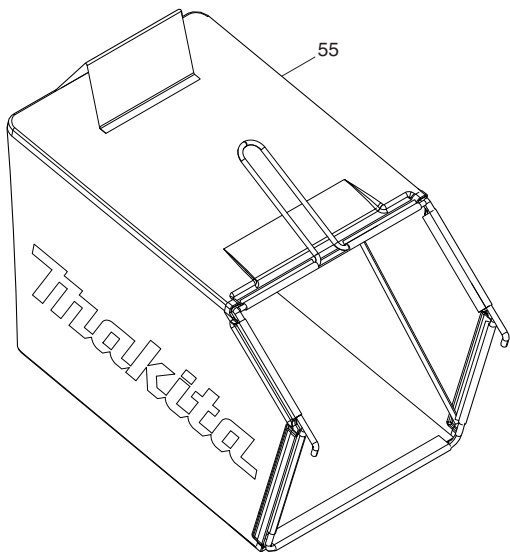
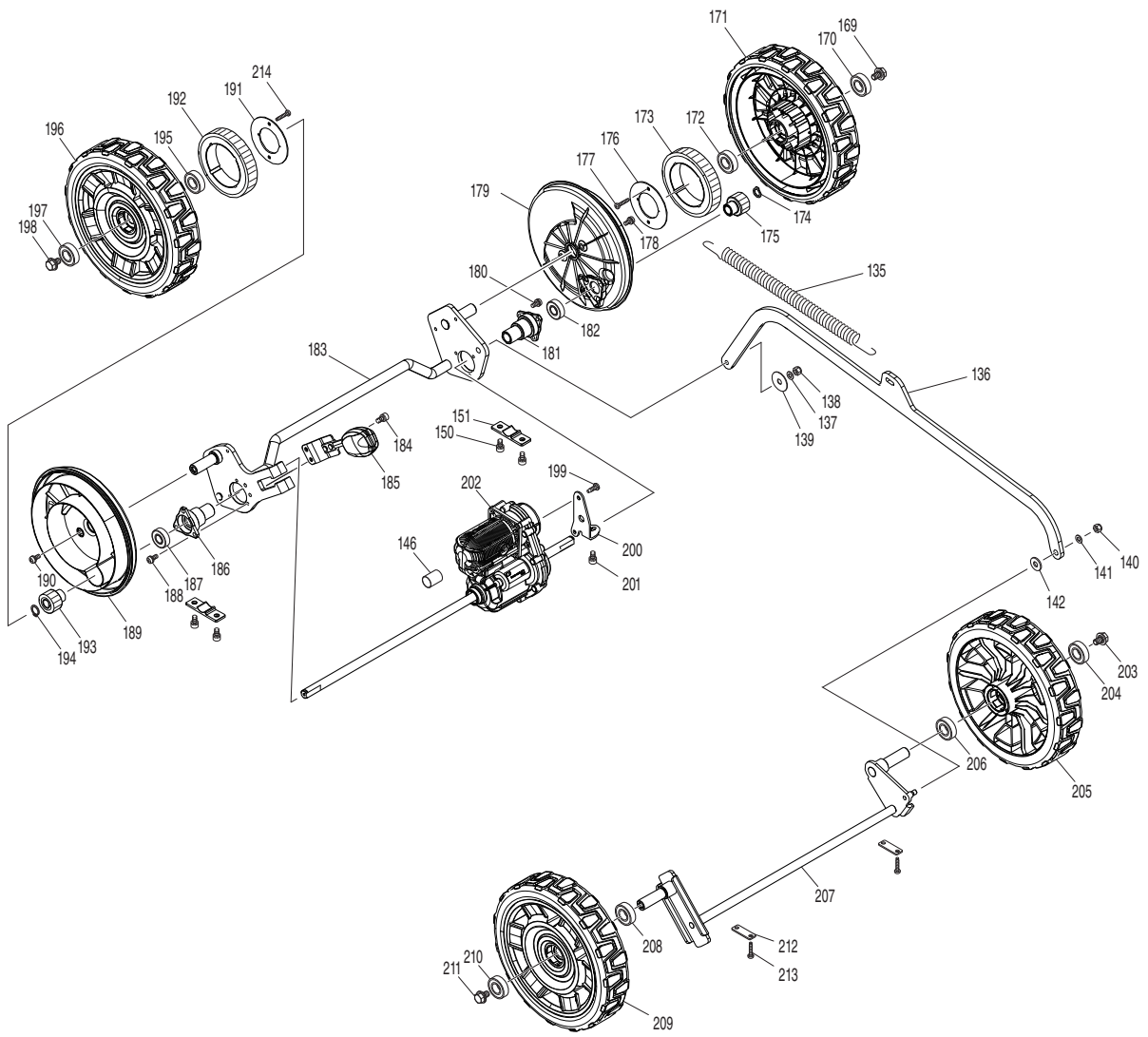


DLM532 1/4



DLM532 2/4





Item No.	Type	Sub	Part No.	Description	Qty	Unit
001			327425-6	DRIVING LEVER	1	PC.
002			459859-6	DRIVING LEVER HOLDER	1	PC.
003			232566-4	TORSION SPRING 12	1	PC.
004			911138-5	PAN HEAD SCREW M4X20	1	PC.
005			459864-3	DRIVING LEVER SUPPORT L	1	PC.
006			267136-0	FLAT WASHER 5	1	PC.
007			266424-2	TAPPING SCREW 4X20	1	PC.
008			266424-2	TAPPING SCREW 4X20	1	PC.
009			267136-0	FLAT WASHER 5	1	PC.
010			459858-8	DRIVING LEVER SUPPORT R	1	PC.
011			911138-5	PAN HEAD SCREW M4X20	1	PC.
012			459859-6	DRIVING LEVER HOLDER	1	PC.
013			266424-2	TAPPING SCREW 4X20	6	PC.
014			183N90-3	SWITCH BOX SET	1	SET
015			140F09-7	SWITCH CIRCUIT COMPLETE	1	PC.
		INC.	810D46-0	SWITCH LABEL	1	PC.
016			140F10-2	SWITCH CIRCUIT COMPLETE	1	PC.
		INC.	818A74-1	SWITCH LABEL	1	PC.
017			232575-3	TORSION SPRING 12	1	PC.
018			266424-2	TAPPING SCREW 4X20	2	PC.
019			687124-5	STRAIN RELIEF	1	PC.
020			459860-1	SWITCH BOX	1	PC.
021			620C48-0	INDICATION CIRCUIT COMPLETE	1	PC.
		INC.	8007C8-5	INDICATION LABEL	1	PC.
022			620415-1	SUB CONTROLLER	1	PC.
023			651083-9	SWITCH C3XA-1PSPM	1	PC.
024			459866-9	SPEED LEVER HOLDER	1	PC.
025			213897-0	O-RING 26	1	PC.
027			266424-2	TAPPING SCREW 4X20	5	PC.
028			459865-1	SPEED LEVER	1	PC.
029			266424-2	TAPPING SCREW 4X20	1	PC.
030			911138-5	PAN HEAD SCREW M4X20	1	PC.
031			459863-5	SWITCH LEVER SUPPORT L	1	PC.
		INC.	931102-0	HEX. NUT M4	1	PC.
032			327424-8	SWITCH LEVER	1	PC.
033			459856-2	SWITCH LEVER SUPPORT R	1	PC.
		INC.	931102-0	HEX. NUT M4	1	PC.
034			911138-5	PAN HEAD SCREW M4X20	1	PC.
035			183P40-0	LEVER BOX SET	1	SET
		INC.	8007C6-9	INDICATION LABEL	1	PC.
036			459857-0	LOCK OFF BUTTON	1	PC.
037			231227-3	COMPRESSION SPRING 15	1	PC.
038			632E26-0	SWITCH UNIT	1	PC.
039			687124-5	STRAIN RELIEF	1	PC.
040			266424-2	TAPPING SCREW 4X20	2	PC.
042			266424-2	TAPPING SCREW 4X20	6	PC.
043			699143-9	POWER SUPPLY CORD UNIT	1	PC.
044			327421-4	HANDLE UPPER	1	PC.
045			252278-3	HEX. CAP NUT M8	1	PC.
046			327422-2	HANDLE LOWER	1	PC.
047			265A62-3	FLAT HEAD BOLT M8X38	1	PC.
048			265A62-3	FLAT HEAD BOLT M8X38	1	PC.
049			252278-3	HEX. CAP NUT M8	1	PC.
050			459905-5	CLAMP	1	PC.
051			921451-3	HEX. BOLT M8X30	2	PC.
052			459905-5	CLAMP	1	PC.

Item No.	Type	Sub	Part No.	Description	Qty	Unit
053			921451-3	HEX. BOLT M8X30	2	PC.
054			699142-1	POWER SUPPLY CORD UNIT	1	PC.
055			127504-8	GRASS CATCHER ASSEMBLY	1	PC.
056			140S04-5	BATTERY COVER COMPLETE	1	PC.
		INC.	890381-8	CAUTION LABEL	1	PC.
		INC.	819G10-6	CAUTION LABEL	1	PC.
057			961018-5	STOP RING E-5	1	PC.
058			327536-7	ROD 6	1	PC.
059			643535-4	KEY	1	PC.
060			266404-8	TAPPING SCREW BIND 3X14	1	PC.
061			459851-2	SWITCH LEVER	1	PC.
062			213896-2	O-RING 24	1	PC.
063			459852-0	LOCK LEVER	1	PC.
064			231037-8	COMPRESSION SPRING 7	1	PC.
065			266424-2	TAPPING SCREW 4X20	7	PC.
066			459847-3	COWLING UPPER	1	PC.
067			856R09-6	DLM532 NAME PLATE	1	PC.
068			183N78-3	TERMINAL HOUSING SET	2	SET
		INC.	263005-3	RUBBER PIN 6	8	PC.
069			266424-2	TAPPING SCREW 4X20	6	PC.
070			856R18-5	DLM532 SERIAL NO. LABEL	1	PC.
071			644809-6	TERMINAL	4	PC.
072			266424-2	TAPPING SCREW 4X20	8	PC.
077			266424-2	TAPPING SCREW 4X20	2	PC.
078			687124-5	STRAIN RELIEF	1	PC.
079			687051-6	STRAIN RELIEF	1	PC.
080			266424-2	TAPPING SCREW 4X20	2	PC.
081			687124-5	STRAIN RELIEF	1	PC.
082			687051-6	STRAIN RELIEF	1	PC.
083			620C45-6	CONTROLLER	1	PC.
084			266424-2	TAPPING SCREW 4X20	2	PC.
085			632P74-5	LEAD UNIT	1	PC.
086			422529-0	SPONGE B	1	PC.
087			620C47-2	CONTROLLER	1	PC.
088			422528-2	SPONGE A	1	PC.
089			651444-3	SWITCH 1703.4703	1	PC.
090			699145-5	POWER SUPPLY CORD UNIT	1	PC.
091			266424-2	TAPPING SCREW 4X20	2	PC.
092			687124-5	STRAIN RELIEF	1	PC.
093			687051-6	STRAIN RELIEF	1	PC.
094			911233-1	PAN HEAD SCREW M5X20	4	PC.
095			459848-1	COWLING LOWER	1	PC.
096			319869-4	MOTOR HOUSING UPPER	1	PC.
097			253455-0	WAVE WASHER 19	1	PC.
098			210141-6	BALL BEARING 6000DDW	1	PC.
099			519606-8	ROTOR ASS'Y	1	PC.
		INC.		Item No. 98,100		
100			211387-7	BALL BEARING 6004LLU	1	PC.
101			265B29-7	TAPPING SCREW PT 2X8	2	PC.
102			620B88-2	CONTROLLER B	1	PC.
103			629465-3	STATOR	1	PC.
104			319870-9	MOTOR HOUSING LOWER	1	PC.
105			911691-1	PAN HEAD SCREW M5X70	3	PC.
106			652031-1	PAN HEAD SCREW M3X6	3	PC.
107			911233-1	PAN HEAD SCREW M5X20	4	PC.
108			922441-9	HEX. SOCKET HEAD BOLT M8X25	4	PC.
109			319867-8	MOTOR BRACKET	1	PC.
110			459853-8	BAFFLE PLATE	1	PC.

Item No.	Type	Sub	Part No.	Description	Qty	Unit
111			911126-2	PAN HEAD SCREW M4X16	4	PC.
112			240205-2	FAN 170	1	PC.
113			319868-6	BLADE SUPPORT	1	PC.
114			266424-2	TAPPING SCREW 4X20	2	PC.
115			191D52-7	BLADE 530 SET	1	SET
116			265A69-9	HEX. BOLT M10X35 WITH WG	1	PC.
117			127516-1	MULCHING PLUG ASSEMBLY	1	PC.
		INC.		Item No. 118-121		
118			459884-7	LOCK LEVER	1	PC.
119			231401-3	COMPRESSION SPRING 7	1	PC.
120			459885-5	LOCK LEVER SUPPORT	1	PC.
121			266424-2	TAPPING SCREW 4X20	2	PC.
123			140S00-3	REAR FLAP COMPLETE	1	PC.
		INC.	8007R1-4	CAUTION LABEL	1	PC.
		INC.	8012M8-8	CAUTION LABEL	1	PC.
124			265B20-5	HEX.SOCKET BUTTON HEAD BOLT M8	4	PC.
125			347579-3	HANDLE BRACKET L	1	PC.
126			233597-6	TORSION SPRING 8	1	PC.
127			961018-5	STOP RING E-5	2	PC.
128			327418-3	ROD 6	1	PC.
129			922213-2	H.S.H.BOLT M5X12 WITH WR	3	PC.
130			459877-4	REAR FLAP HOLDER PLATE	1	PC.
131			162692-4	REAR GRIP	1	PC.
132			347578-5	HANDLE BRACKET R	1	PC.
133			451825-9	CLAMP	1	PC.
134			265B20-5	HEX.SOCKET BUTTON HEAD BOLT M8	4	PC.
135			232628-8	TENSION SPRING 16	1	PC.
136			347580-8	CONNECTING ROD	1	PC.
137			941151-9	FLAT WASHER 6	1	PC.
138			252014-7	HEX. LOCK NUT M6-10	1	PC.
139			267216-2	FLAT WASHER 8	1	PC.
140			252014-7	HEX. LOCK NUT M6-10	1	PC.
141			941151-9	FLAT WASHER 6	1	PC.
142			253762-1	FLAT WASHER 8	1	PC.
143			422526-6	GROMMET	1	PC.
144			922213-2	H.S.H.BOLT M5X12 WITH WR	1	PC.
145			459880-5	LEAD COVER	1	PC.
146			683A20-1	POLYOLEFIN TUBE	1	PC.
147			140S09-5	DECK COMPLETE	1	PC.
		INC.	819G09-1	CAUTION LABEL	1	PC.
148			347582-4	HEIGHT ADJUST PLATE	1	PC.
149			265B20-5	HEX.SOCKET BUTTON HEAD BOLT M8	2	PC.
150			922311-2	HEX. SOCKET HEAD BOLT M6X12	4	PC.
151			313290-9	REAR SHAFT HOLDER COVER	2	PC.
157			922213-2	H.S.H.BOLT M5X12 WITH WR	2	PC.
159			232567-2	TORSION SPRING 9	1	PC.
160			347584-0	SIDE DISCHARGE PLATE	1	PC.
161			327420-6	ROD 8	1	PC.
162			961013-5	STOP RING E-7	1	PC.
163			459886-3	SIDE DISCHARGE COVER	1	PC.
164			922441-9	HEX. SOCKET HEAD BOLT M8X25	2	PC.
165			459870-8	FRONT GRIP	1	PC.
166			459871-6	FRONT COVER	1	PC.
167			459872-4	DECK UNDER COVER	1	PC.
168			266424-2	TAPPING SCREW 4X20	6	PC.
169			265324-3	HEX. FLANGE HEAD BOLT M8X12	1	PC.
170			211247-3	BALL BEARING 6002DDW	1	PC.
171			127513-7	REAR WHEEL ASSEMBLY	1	PC.

Item No.	Type	Sub	Part No.	Description	Qty	Unit
172			211247-3	BALL BEARING 6002DDW	1	PC.
173			226941-4	SPUR GEAR 49	1	PC.
174			961052-5	RETAINING RING S-12	1	PC.
175			226940-6	SPUR GEAR 12	1	PC.
176			347586-6	GEAR HOLDER PLATE	1	PC.
177			266424-2	TAPPING SCREW 4X20	2	PC.
178			911213-7	PAN HEAD SCREW M5X12	2	PC.
179			459867-7	WHEEL CAP	1	PC.
180			911213-7	PAN HEAD SCREW M5X12	3	PC.
181			327426-4	REAR SHAFT HOLDER	1	PC.
182			210163-6	BALL BEARING 6001DDW	1	PC.
183			162689-3	REAR SHAFT	1	PC.
184			922311-2	HEX. SOCKET HEAD BOLT M6X12	2	PC.
185			162694-0	HEIGHT ADJUST LEVER COMPLETE	1	PC.
186			327426-4	REAR SHAFT HOLDER	1	PC.
187			210163-6	BALL BEARING 6001DDW	1	PC.
188			911213-7	PAN HEAD SCREW M5X12	3	PC.
189			459867-7	WHEEL CAP	1	PC.
190			911213-7	PAN HEAD SCREW M5X12	2	PC.
191			347586-6	GEAR HOLDER PLATE	1	PC.
192			226941-4	SPUR GEAR 49	1	PC.
193			226940-6	SPUR GEAR 12	1	PC.
194			961052-5	RETAINING RING S-12	1	PC.
195			211247-3	BALL BEARING 6002DDW	1	PC.
196			127513-7	REAR WHEEL ASSEMBLY	1	PC.
197			211247-3	BALL BEARING 6002DDW	1	PC.
198			265324-3	HEX. FLANGE HEAD BOLT M8X12	1	PC.
199			266388-0	TAPPING SCREW 5X16	2	PC.
200			347585-8	BRACKET	1	PC.
201			922311-2	HEX. SOCKET HEAD BOLT M6X12	1	PC.
202			127510-3	DRIVE UNIT ASSEMBLY	1	PC.
203			265324-3	HEX. FLANGE HEAD BOLT M8X12	1	PC.
204			211247-3	BALL BEARING 6002DDW	1	PC.
205			127514-5	FRONT WHEEL ASSEMBLY	1	PC.
206			211247-3	BALL BEARING 6002DDW	1	PC.
207			162688-5	FRONT SHAFT	1	PC.
208			211247-3	BALL BEARING 6002DDW	1	PC.
209			127514-5	FRONT WHEEL ASSEMBLY	1	PC.
210			211247-3	BALL BEARING 6002DDW	1	PC.
211			265324-3	HEX. FLANGE HEAD BOLT M8X12	1	PC.
212			341462-6	PLATE	2	PC.
213			266424-2	TAPPING SCREW 4X20	4	PC.
214			266424-2	TAPPING SCREW 4X20	2	PC.
218			327418-3	ROD 6	1	PC.
219			961018-5	STOP RING E-5	2	PC.
220			412412-9	PROTECTIVE SHIELD HOLDER	1	PC.
221			422540-2	PROTECTIVE SHIELD	1	PC.
222			265B00-1	TAPPING SCREW FLANGE 4X12	4	PC.
E01			632P90-7	FUSE UNIT	1	PC.

ACCESSORIES

- Visit www.makita.ca for more accessories information -

A01			327589-6	ROD 6	1	PC.
A02			782210-8	SOCKET WRENCH 17	1	PC.
A03			782212-4	SOCKET WRENCH 13	1	PC.
A04			459887-1	SIDE DISCHARGE MOUTH	1	PC.
A05			---	BATTERY CHARGER		
A06			---	18V LI-ION BATTERY		
A07			---	LI-ION BATTERY ACCESSORY		