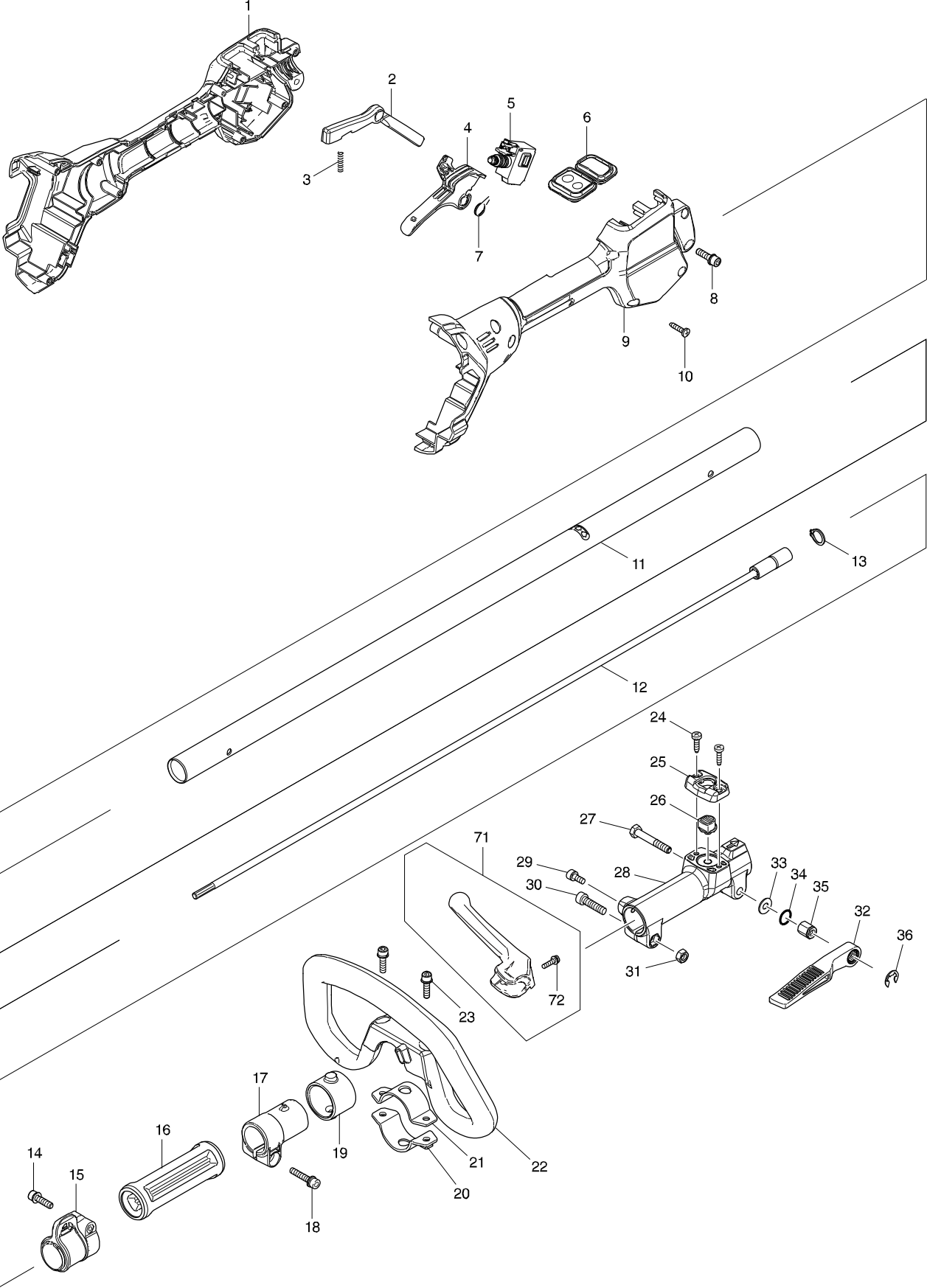
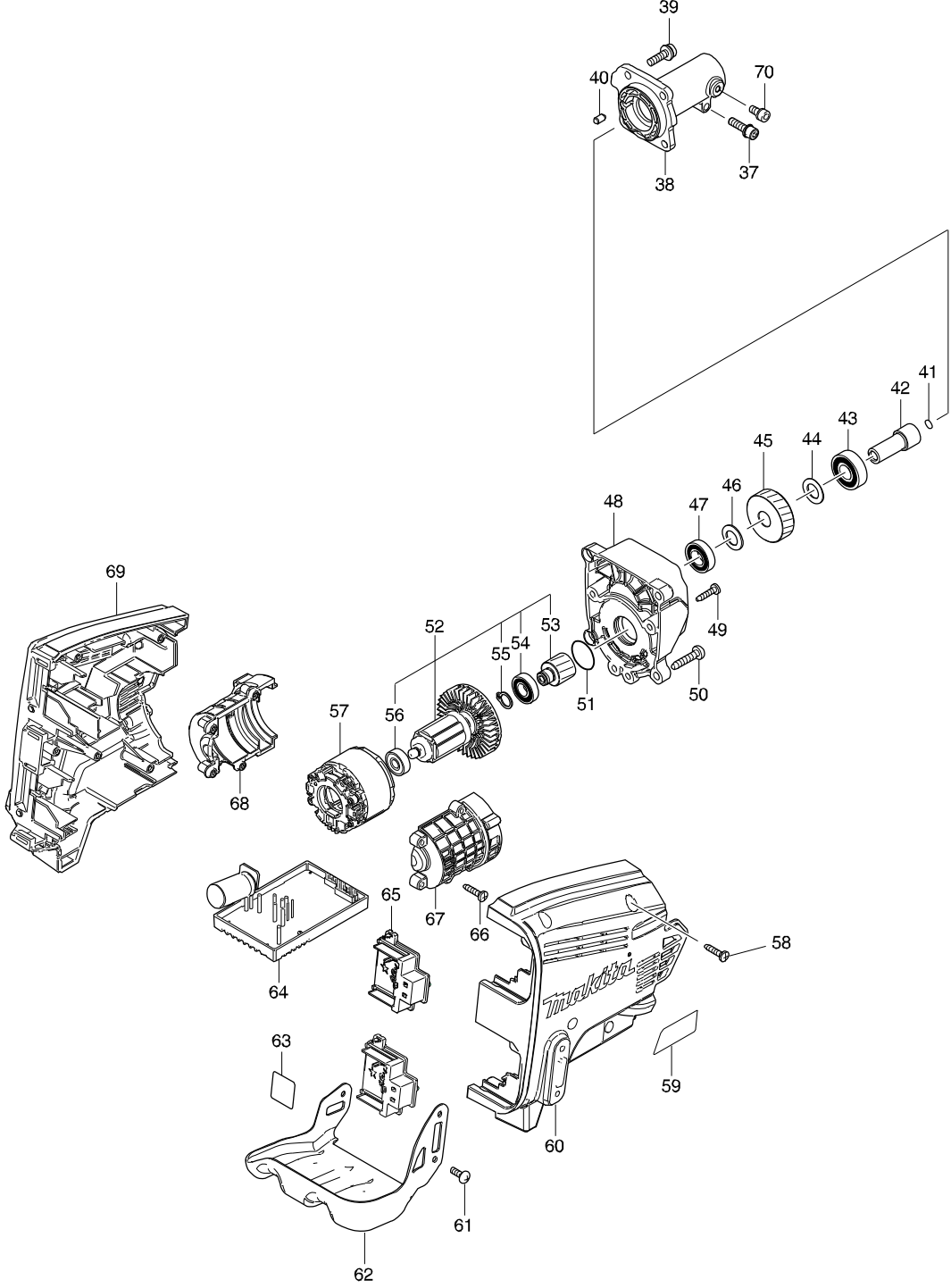


Modelo DUX60 CRDLSS MULTI FNCTN POWER HEAD



Modelo DUX60 CRDLSS MULTI FNCTN POWER HEAD



# Modelo DUX60 CRDLSS MULTI FNCTN POWER HEAD

Pieza	Código	Descripción	Info	CTD.	N/O	Opc. 1	Opc. 2	OBS.
001	183G31-7	GRIP SET		1				
C10	931202-6	TUERCA M5 HEX. P/9911,3700B,BHR2		1				
D10		INC. 9						
002	457773-0	LOCK OFF LEVER		1				
003	233101-1	RESORTE DE COMPRESION 4 P/4304		1				
004	457771-4	SWITCH LEVER		1				
005	650709-0	SWITCH C3JW-1A-P		1				
006	144570-0	SUB CONTROLLER COMPLETE		1				
007	233540-5	RESORTE DE TENCION HELICOIDAL		1				
008	922233-6	TORNILLO M5X20 P/EBH252L		1				
009	183G31-7	GRIP SET		1				
C10	931202-6	TUERCA M5 HEX. P/9911,3700B,BHR2		1				
D10		INC. 1						
010	266326-2	TORNILLO 4X18 P/MT240,MT580		8				
011	141595-5	TUBO DEL EJE P/UX360D		1				
012	141238-9	EJE COMPLETO P/EX2650LH		1				
013	961052-5	SEGURO DE RETEN S-12 P/9005B,950		1				
014	922233-6	TORNILLO M5X20 P/EBH252L		1				
015	168478-4	ABRAZADERA DEL TUBO P/BC300LD		1				
C10	931202-6	TUERCA M5 HEX. P/9911,3700B,BHR2		1				
016	451601-1	ESPACIADOR DE GOMA 24 P/EBH252L		1				
017	457269-1	PIPE HOLDER 24		1				
018	922244-1	TORNILLO HEXAGONAL M5X25 P/EX2		1				
019	424942-8	DAMPER		1				
020	347114-7	LOWER CLAMP 35		1				
021	347113-9	UPPER CLAMP 35		1				
022	457772-2	LOOP HANDLE		1				
C10	263005-3	PERNO DE GOMA P/VARIOS ONT)		1				
023	922233-6	TORNILLO M5X20 P/EBH252L		2				
024	266034-5	TORNILLO CT4X16 P/9524NB, RD1101		2				
025	452840-6	BOTON DE LIBERACION P/EX2650LH		1				
026	452839-1	BOTON DE LIBERACION P/UX360DZ		1				
027	265596-0	TORNILLO HEXAGONAL M6 X 40 P/UX		1				
028	318750-6	CONJUNTO 24 P/UX360DZ		1				
029	922211-6	PERNO DE CABEZA HEXAGONAL M5x		1				
030	922342-1	TORNILLO M6X25 P/HR2511		1				
031	931302-2	TUERCA HEXAGONAL M6		1				
032	272268-0	PALANCA 94 P/UX360DZ		1				
033	253332-6	ARANDELA PLANA 6 P/6176DW		1				
034	213105-9	EMPAQUE P/N9514B		1				
035	252159-1	TUERCA HEXAGONAL M6		1				
036	961014-3	EMPAQUE DE TOPE E-8 P/LP1812C		1				
037	922233-6	TORNILLO M5X20 P/EBH252L		1				
038	319609-0	PIPE BRACKET		1				
039	911233-1	TORNILLO M5X20 P/2704		4				
040	263002-9	PERNO DE GOMA 4 P/5007NB, JR3000		1				
041	213045-1	ANILLO "O" P/BO3710		1				
042	325811-5	FLECHA P/BC300LD		1				

Pieza	Código	Descripción	Info	CTD.	N/O	Opc. 1	Opc. 2	OBS.
043	211148-5	BALERO 6001ZZ P/GD0800C		1				
044	253744-3	ARANDELA PLANA P/HR5001C		1				
045	227720-3	ENGRANAJE DE DIENTE HELICOIDAL		1				
046	253744-3	ARANDELA PLANA P/HR5001C		1				
047	211150-8	BOLAS PARA RODAMIENTO P/6916FD		1				
048	319608-2	GEAR BOX		1				
049	266326-2	TORNILLO 4X18 P/MT240,MT580		4				
050	266041-8	TORNILLO 5X25 P/5037NB		4				
051	213961-7	ANILLO O 22 P/MHP160		1				
052	519447-2	ROTOR ASS'Y		1				
D10		INC. 53-56						
053	227721-1	HELICAL GEAR 16		1				
054	210069-8	BALL BEARING 6900DDW		1				
055	961006-2	SEGURO S-10 P/9501BZ, DP3002		1				
056	210062-2	BALERO P/MT950		1				
057	629269-3	STATOR		1				
058	266326-2	TORNILLO 4X18 P/MT240,MT580		6				
059	853S61-1	DUX60 NAME PLATE		1				
060	183G29-4	HOUSING SET		1				
C10	263005-3	PERNO DE GOMA P/VARIOS ONT)		4				
C20	252126-6	HEX. LOCKING NUT M4-7		3				
D10		INC. 69						
061	251314-2	TORNILLO M4*12 2012		3				
062	346858-6	BATTERY GUARD		1				
063	853S66-1	DUX60 SERIAL NO. LABEL		1				
064	620677-1	CONTROLLER		1				
065	644809-6	TERMINAL		2				
066	266326-2	TORNILLO 4X18 P/MT240,MT580		4				
067	183G30-9	MOTOR HOUSING SET		1				
D10		INC. 68						
068	183G30-9	MOTOR HOUSING SET		1				
D10		INC. 67						
069	183G29-4	HOUSING SET		1				
C10	263005-3	PERNO DE GOMA P/VARIOS ONT)		4				
C20	252126-6	HEX. LOCKING NUT M4-7		3				
D10		INC. 60						
070	922211-6	PERNO DE CABEZA HEXAGONAL M5x		1				
071	144315-6	BARRIER COMPLETE		1				
D10		INC. 72						
072	911128-8	TORNILLO M4X16 P/BO5021, N9503BH		1				
A01	125516-5	BAND ASSEMBLY		1				
A02	783202-0	HEX. WRENCH 4		1				
A04	831304-7	ACCESSORY BAG		1				
A05B	782210-8	SOCKET WRENCH 17		1	*			
A05-1B	782238-6	BOX WRENCH 17	<	1				
A09B	***EM403MP	BRUSH CUTTER ATTACHMENT		1				
D10		INC. A05,A06						
A10B	195638-5	TOOL BAG SET		1				