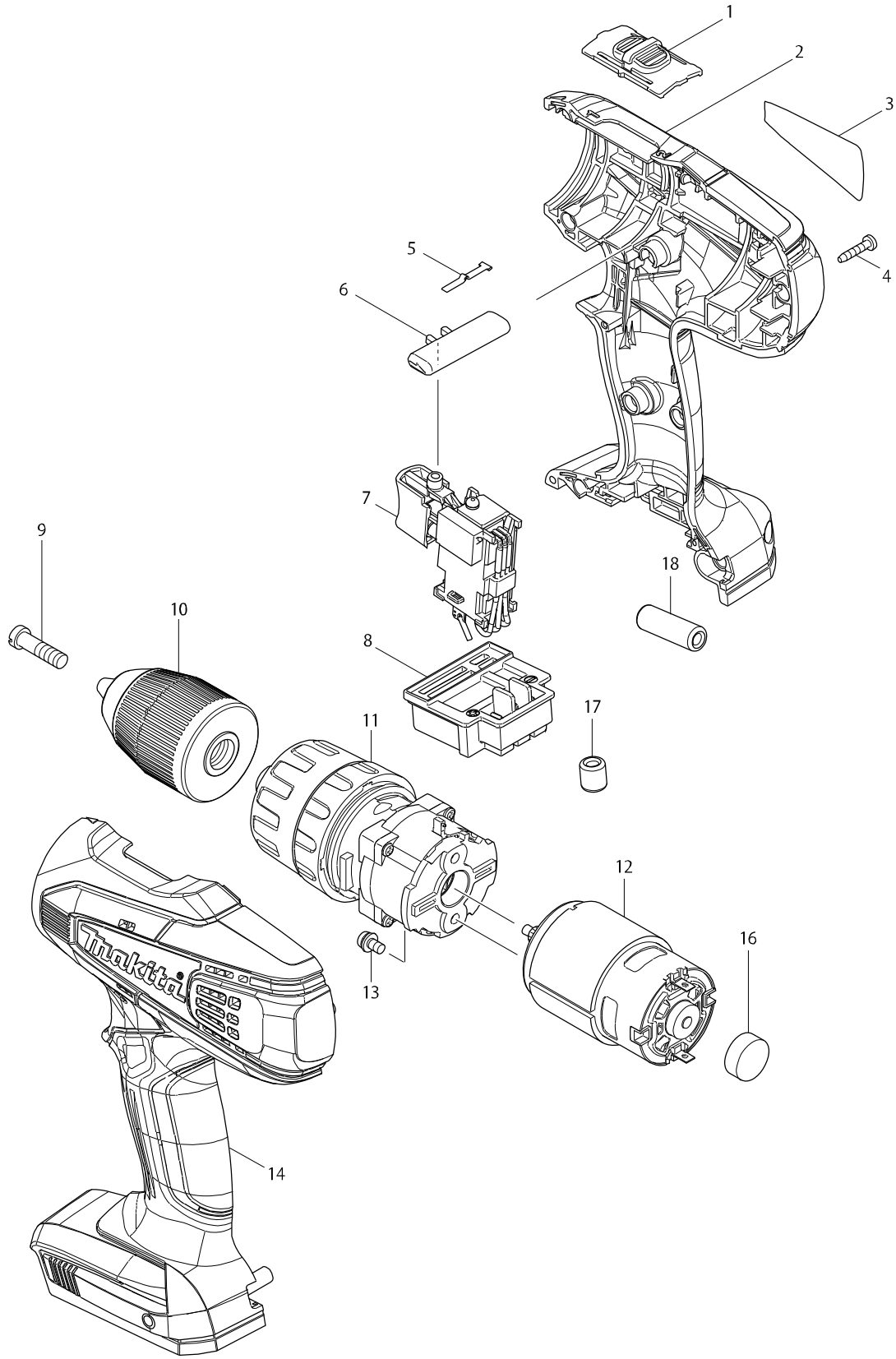


Modelo PH02 ROTOMARTILLO ATORNILLADOR INALAMBRICO



## Modelo PH02 ROTOMARTILLO ATORNILLADOR INALAMBRICO

Página 1 / 2

Pieza	Código	Descripción	Info	CTD.	N/O	Ventas	Compra	OBS.
001	125310-5	PALANCA DE CAMBIO DE VELOCIDAD		1		9.00		
C10	231433-0	RESORTE DE COMPRESION 4 P/62131		2		2.00		
002	187026-0	CARCAZA P/PH02		1		331.00		
D10		INC. 14						
003	869779-0	PH02 NAME PLATE		1				
004	266429-2	TORNILLO DE LA TAPA 3X16 P/TD010		9		2.00		
005	232182-2	MUELLE P/6226DW		1		5.00		
006	452399-3	PALANCA DE CAMBIO P/PH02		1		5.00		
007	638887-6	INTERRUPTOR P/PH02		1		474.00		
008	643862-9	TERMINAL P/PH02		1		61.00		
009A	251472-4	TORNILLO M6X26 P/6381D		1	*	4.00		
009-1A	251468-5	- FLAT HEAD SCREW M6X22	S	1		4.00		
009-1D	251468-5	- FLAT HEAD SCREW M6X22		1		4.00		
009-1E	251468-5	- FLAT HEAD SCREW M6X22		1		4.00		
010A	763193-1	KEYLESS DRILL CHUCK 13		1	*	362.00		
010-1A	766027-7	KEYLESS DRILL CHUCK 13	S	1		364.00		
010-1D	766027-7	KEYLESS DRILL CHUCK 13		1		364.00		
010-1E	766027-7	KEYLESS DRILL CHUCK 13		1		364.00		
011A	125485-0	ENGRANE P/8391D		1	*	730.00		
011-1A	125485-0	ENGRANE P/8391D	O	1		730.00		
011-1D	125485-0	ENGRANE P/8391D		1		730.00		
011-1E	125485-0	ENGRANE P/8391D		1		730.00		
012A	629834-8	MOTOR DC P/6390D		1	*	408.00		
012-1A	629937-8	DC MOTOR	O	1				
012-1D	629937-8	DC MOTOR		1				
012-1E	629937-8	DC MOTOR		1				
013	911108-4	TORNILLO M4X8 P/2012NB		2		2.00		
014	187026-0	CARCAZA P/PH02		1		331.00		
D10		INC. 2						
016	421940-3	TAPA P/8391D		1		2.00		
A01A	784636-0	+/- BIT 2-65		1		12.00		
A01E	196641-9	TOOL CHEST		1				
A02A	***DC18WA	DC18WA BATTERY CHARGER		1	*			
A02-1A	***DC18WA	DC18WA BATTERY CHARGER	O	1				
A02-1D	***DC18WA	DC18WA BATTERY CHARGER		1				
A02-1E	***DC18WA	DC18WA BATTERY CHARGER		1				
A03A	195453-7	BATTERY BL1811G SET		2	*	1,538.00		
A03-1A	196365-7	BATTERY BL1813G SET	O	2	*			
A03-2A	196365-7	BATTERY BL1813G SET	O	2	*			
A03-2D	196365-7	BATTERY BL1813G SET		2	*			
A03-3A	198187-1	BATTERY BL1815G SET	<	2				
A03-3D	198187-1	BATTERY BL1815G SET	<	2				
A03-3E	198187-1	BATTERY BL1815G SET		1				
A04A	452652-7	BATTERY COVER		1				
A04D	452652-7	BATTERY COVER		1				
A05A	824981-2	PLASTIC CARRYING CASE		1				
C10	162315-4	LATCH		2				
C20	452137-3	HANDLE		1				

**Modelo PH02 ROTOMARTILLO ATORNILLADOR INALAMBRICO**

Pieza	Código	Descripción	Info	CTD.	N/O	Ventas	Compra	OBS.
A05D	821633-6	PLASTIC CASE		1				
C10	455522-9	SLIDE LATCH		2				
C20	452143-8	SHAFT		2				
A06A	892778-7	PH02 PLASTIC CASE LABEL		2				
A06D	D-52314	75PCS. BIT SET, INCH, TYPE MZ		1				