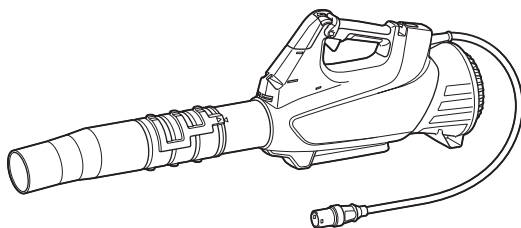
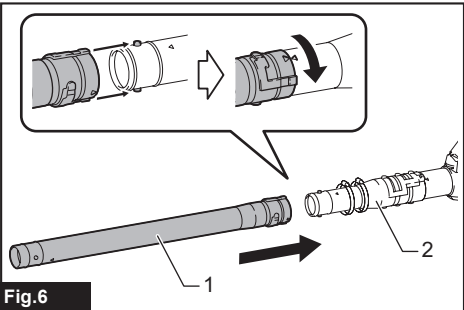
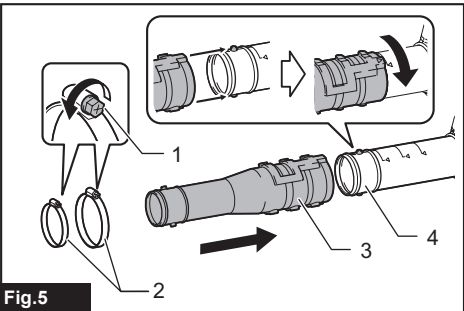
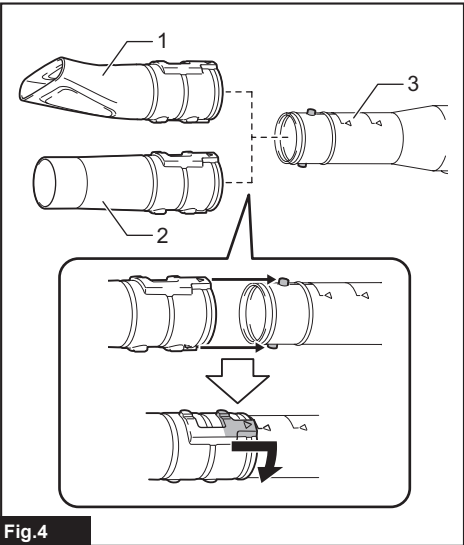
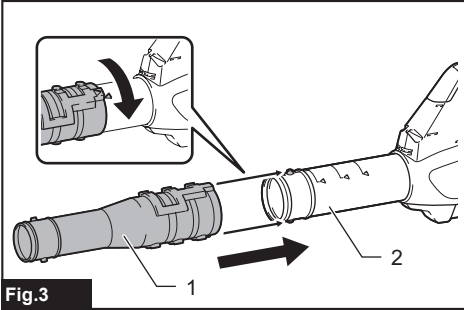
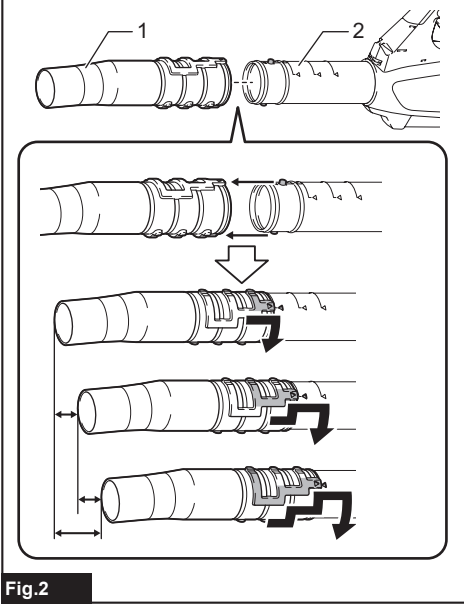
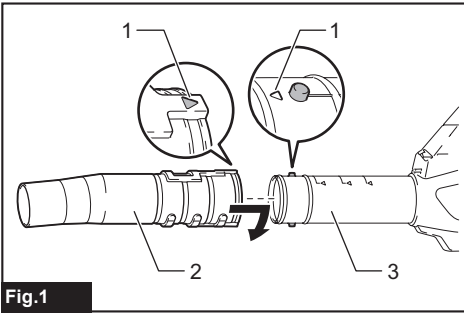




EN	Battery Powered Blower	INSTRUCTION MANUAL	9
FR	Souffleur à batterie	MANUEL D'INSTRUCTIONS	18
DE	Akku-Gebläse	BETRIEBSANLEITUNG	27
IT	Soffiatore a batteria	ISTRUZIONI PER L'USO	37
NL	Accuaangedreven bladblazer	GEBRUIKSAANWIJZING	46
ES	Sopladora Alimentada a Bateria	MANUAL DE INSTRUCCIONES	55
PT	Soprador a Bateria	MANUAL DE INSTRUÇÕES	64
DA	Batteridrevet blæser	BRUGSANVISNING	73
EL	Φυσητήρας με μπαταρία	ΕΓΧΕΙΡΙΔΙΟ ΟΔΗΓΙΩΝ	82
TR	Batarya Beslemeli Üfleyici	KULLANMA KILAVUZU	92

UB001C





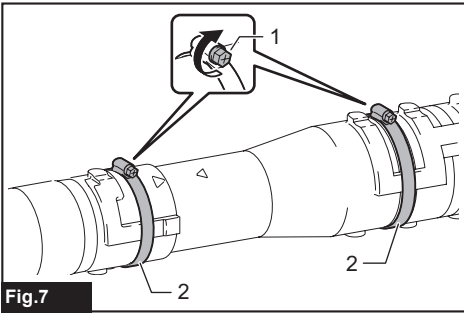


Fig. 7

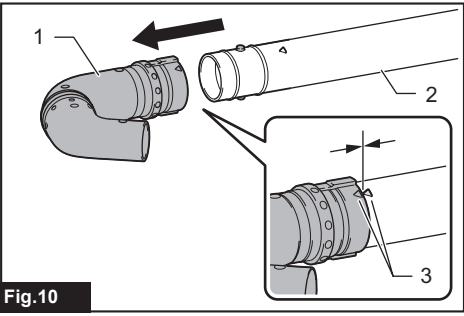


Fig. 10

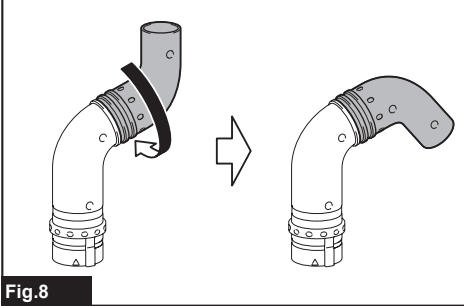


Fig. 8

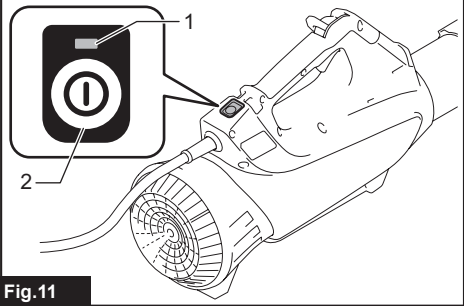


Fig. 11

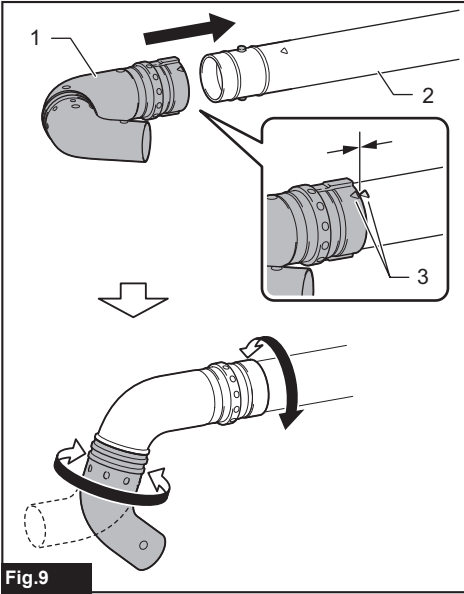


Fig. 9

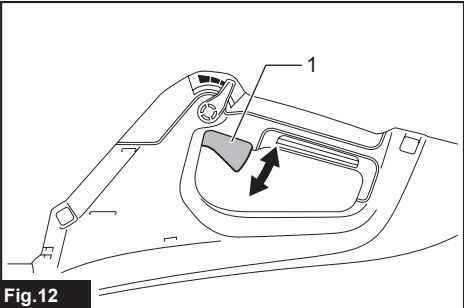


Fig. 12

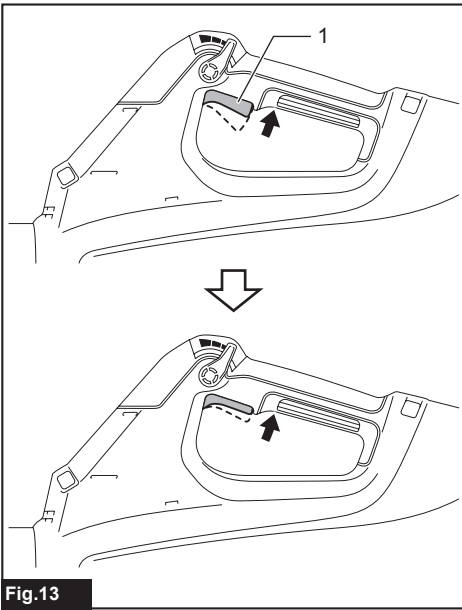


Fig.13

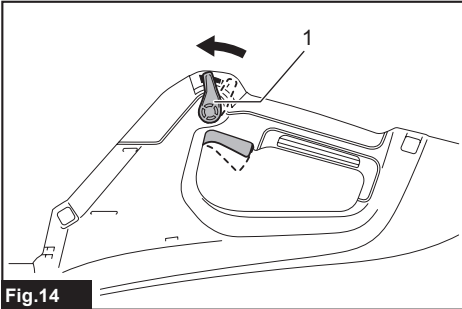


Fig.14

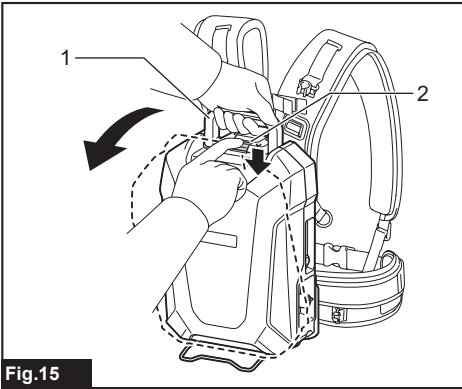


Fig.15

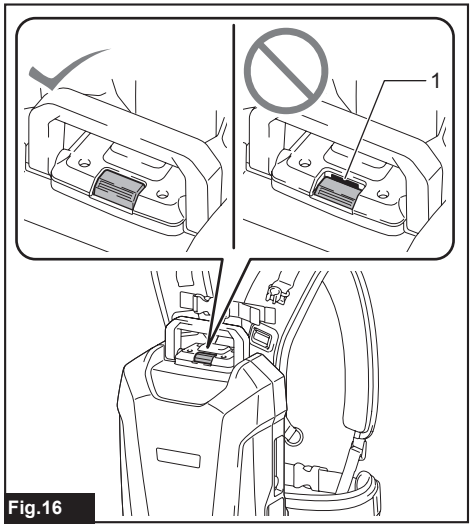


Fig.16

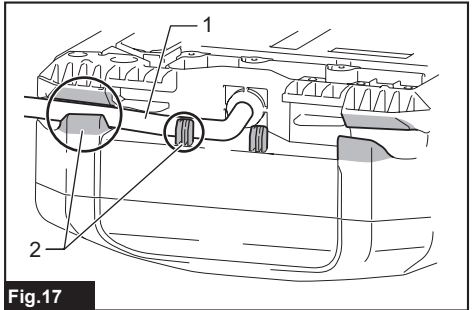


Fig.17

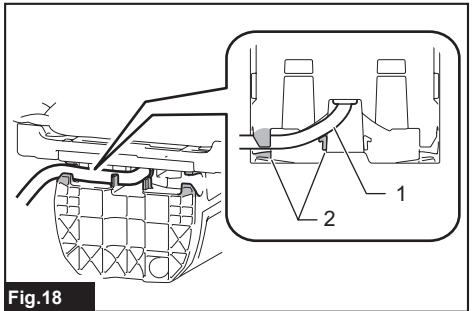


Fig.18

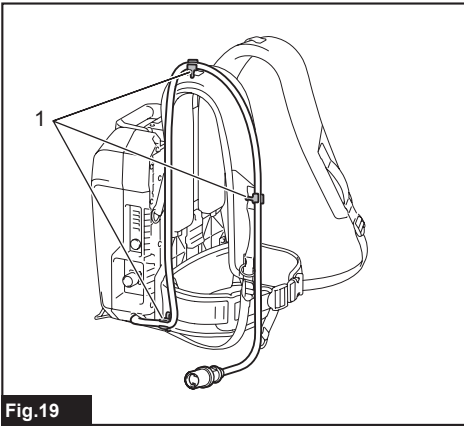


Fig.19

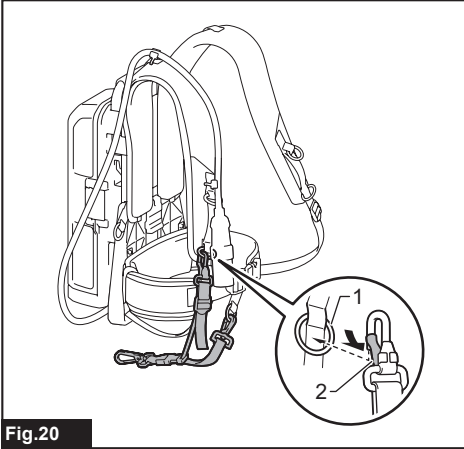


Fig.20

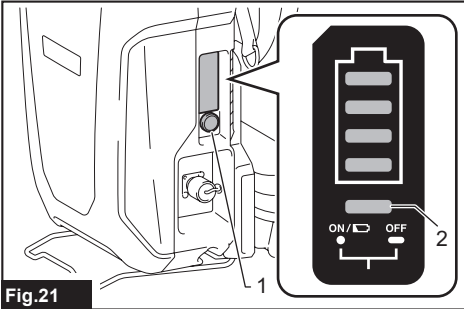


Fig.21

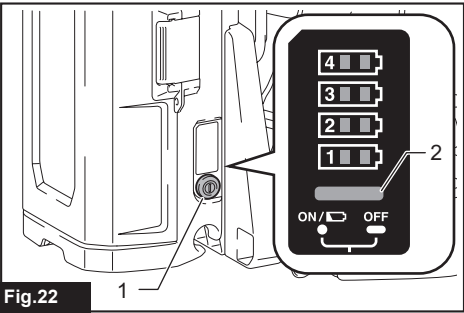


Fig.22

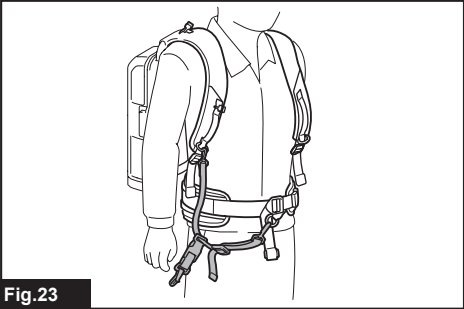


Fig.23

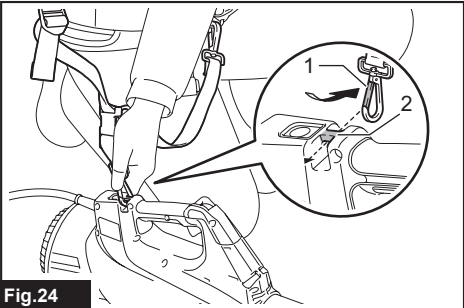


Fig.24

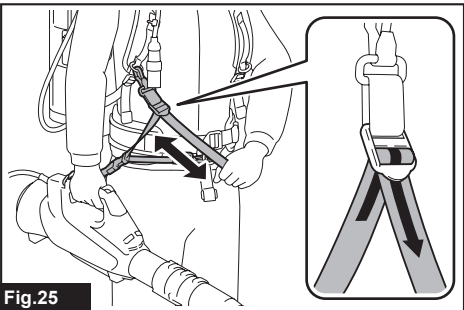


Fig.25

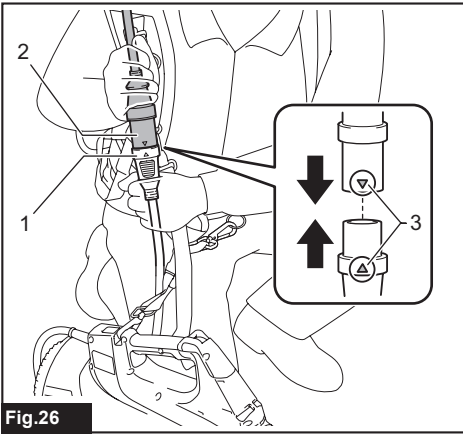


Fig.26

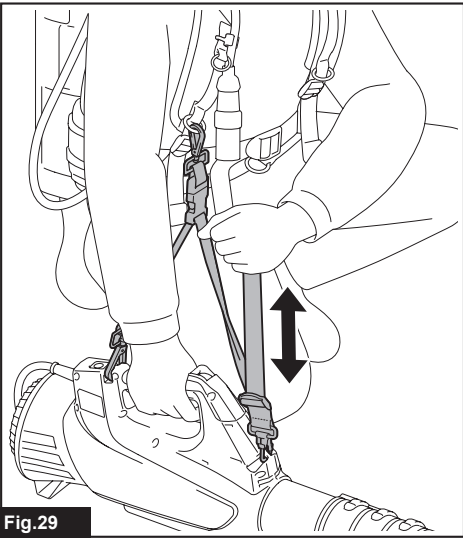


Fig.29

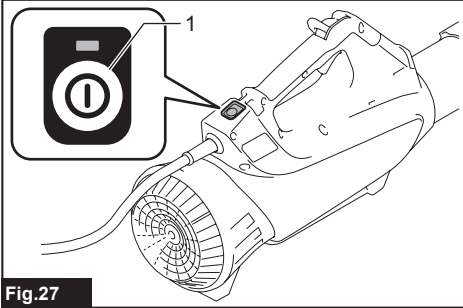


Fig.27

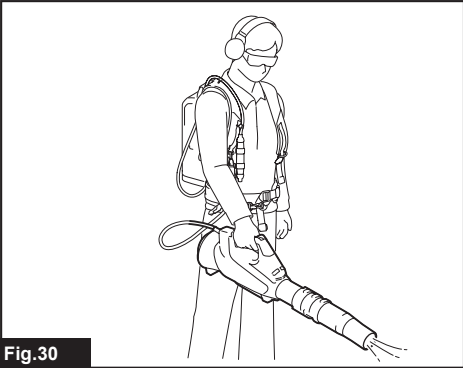


Fig.30

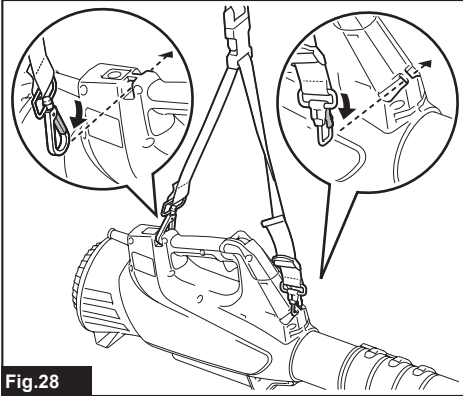


Fig.28

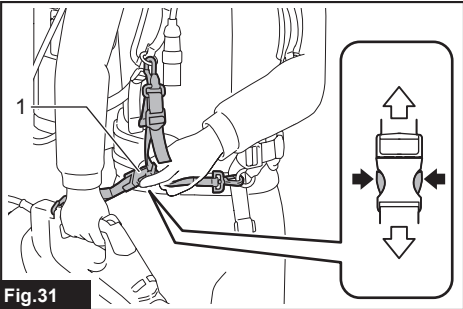


Fig.31

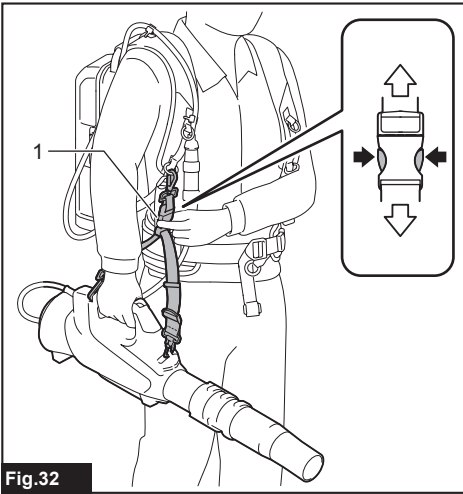


Fig.32

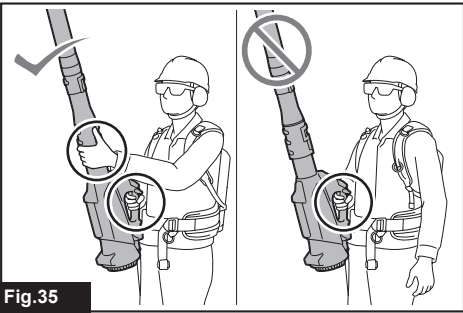


Fig.35

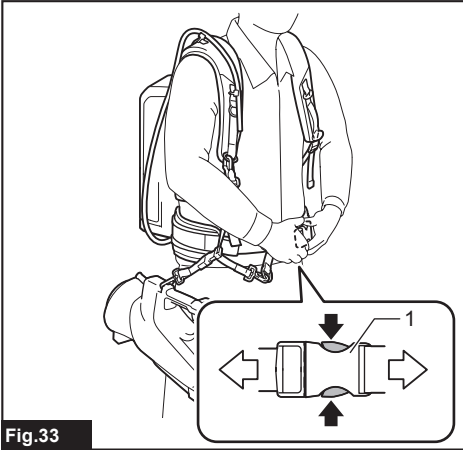


Fig.33

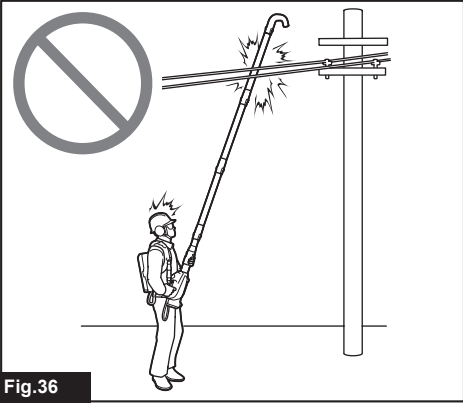


Fig.36

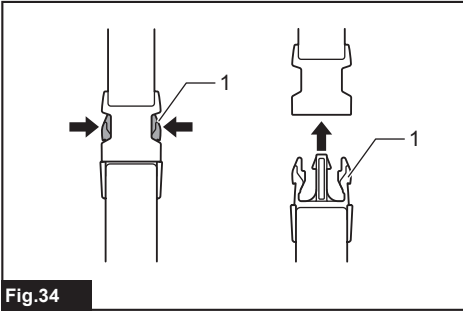


Fig.34

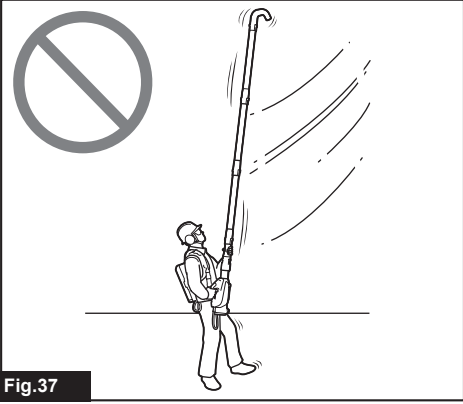


Fig.37

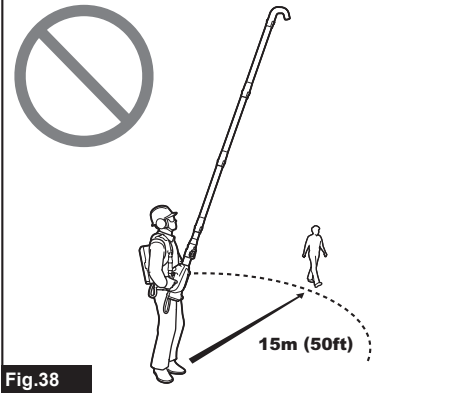


Fig.38

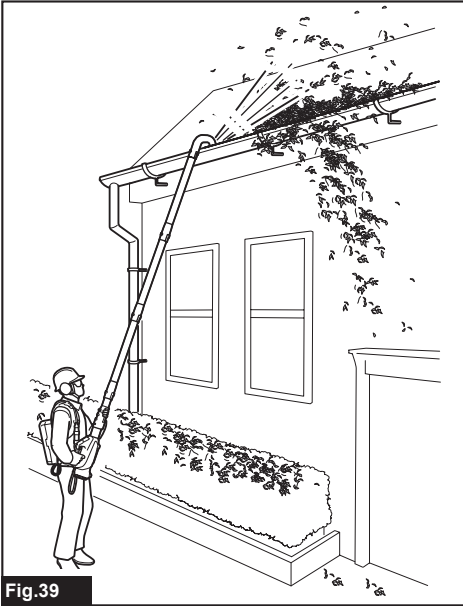


Fig.39

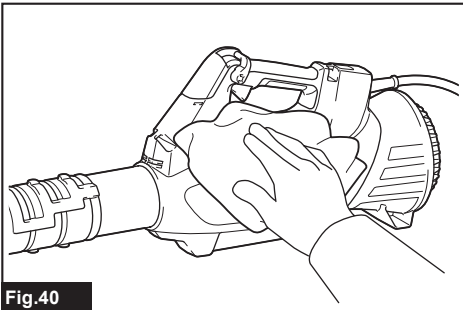


Fig.40

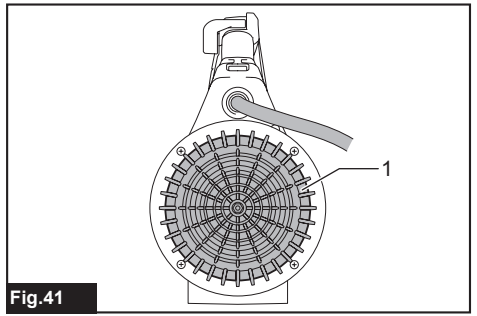


Fig.41

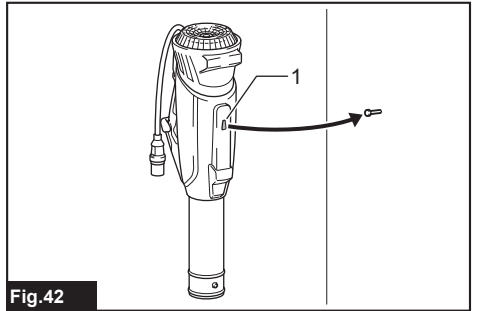


Fig.42

SPECIFICATIONS

Model:		UB001C
Capacities	Air volume	0 - 17.6 m ³ /min
	Air speed (average)	0 - 58.0 m/s
	Air speed (max.)	0 - 70.0 m/s
Overall length (with end nozzle)		960 mm / 1,010 mm / 1,060 mm
Rated voltage		D.C. 36 V - 40 V max
Net weight		2.6 - 2.9 kg
Protection degree		IPX4

- Due to our continuing program of research and development, the specifications herein are subject to change without notice.
- Specifications may differ from country to country.
- Weight according to EPTA-Procedure 01/2014






Applicable portable power pack

PDC1200 / PDC01

⚠ WARNING: Only use the portable power packs listed above. Use of any other portable power packs may cause injury and/or fire.

Symbols

The followings show the symbols which may be used for the equipment. Be sure that you understand their meaning before use.

	Take particular care and attention.
	Read instruction manual.
	Keep hands away from rotating parts.
	Long hair may cause entanglement accident.
	Keep bystanders away.
	Wear eye and ear protection.
	Do not expose to moisture.
	Only for EU countries Do not dispose of electric equipment or battery pack together with household waste material! In observance of the European Directives, on Waste Electric and Electronic Equipment and Batteries and Accumulators and Waste Batteries and Accumulators and their implementation in accordance with national laws, electric equipment and batteries and battery pack(s) that have reached the end of their life must be collected separately and returned to an environmentally compatible recycling facility.

Intended use

The machine is intended for blowing dust.

Noise

The typical A-weighted noise level determined according to EN50636-2-100:

Sound pressure level (L_{pA}) : 83.4 dB(A)

Uncertainty (K) : 2.2 dB(A)

Sound power level (L_{WA}) : 91.4 dB(A)

Uncertainty (K) : 2.5 dB(A)

NOTE: The declared noise emission value(s) has been measured in accordance with a standard test method and may be used for comparing one tool with another.

NOTE: The declared noise emission value(s) may also be used in a preliminary assessment of exposure.

⚠ WARNING: Wear ear protection.

⚠ WARNING: The noise emission during actual use of the power tool can differ from the declared value(s) depending on the ways in which the tool is used especially what kind of workpiece is processed.

⚠ WARNING: Be sure to identify safety measures to protect the operator that are based on an estimation of exposure in the actual conditions of use (taking account of all parts of the operating cycle such as the times when the tool is switched off and when it is running idle in addition to the trigger time).

Vibration

The vibration total value (tri-axial vector sum) determined according to EN50636-2-100:

Work mode: operation without load

Vibration emission (a_{hV}) : 2.5 m/s² or less

Uncertainty (K) : 1.5 m/s²

NOTE: The declared vibration total value(s) has been measured in accordance with a standard test method and may be used for comparing one tool with another.

NOTE: The declared vibration total value(s) may also be used in a preliminary assessment of exposure.

⚠WARNING: The vibration emission during actual use of the power tool can differ from the declared value(s) depending on the ways in which the tool is used especially what kind of workpiece is processed.

⚠WARNING: Be sure to identify safety measures to protect the operator that are based on an estimation of exposure in the actual conditions of use (taking account of all parts of the operating cycle such as the times when the tool is switched off and when it is running idle in addition to the trigger time).

EC Declaration of Conformity

For European countries only

The EC declaration of conformity is included as Annex A to this instruction manual.

SAFETY WARNINGS

Battery Powered Blower Safety Instructions

⚠WARNING: Read all safety warnings and all instructions. Failure to follow the warnings and instructions may result in electric shock, fire and/or serious injury.

Save all warnings and instructions for future reference.

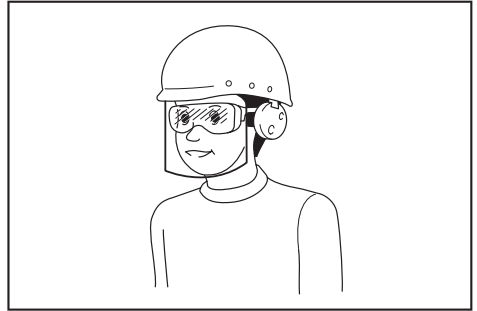
Training

1. Read the instructions carefully. Be familiar with the controls and the correct use of the blower.
2. Never allow children, persons with reduced physical, sensory or mental capabilities or lack of experience and knowledge or people unfamiliar with these instructions to use the blower. Local regulations may restrict the age of the operator.
3. Never operate the blower while people, especially children, or pets are nearby.
4. Keep in mind that the operator or user is responsible for accidents or hazards occurring to other people or their property.

Preparation

1. Always wear substantial footwear and long trousers while operating the blower.
2. Do not wear loose clothing or jewellery that can be drawn into the air inlet. Keep long hair away from the air inlets.

3. Always wear protective goggles to protect your eyes from injury when using power tools. The goggles must comply with ANSI Z87.1 in the USA, EN 166 in Europe, or AS/NZS 1336 in Australia/New Zealand. In Australia/New Zealand, it is legally required to wear a face shield to protect your face, too.



It is an employer's responsibility to enforce the use of appropriate safety protective equipments by the tool operators and by other persons in the immediate working area.

4. To prevent dust irritation the wearing of a face mask is recommended.
5. While operating the machine, always wear non-slip and protective footwear. Non-skid, closed-toed safety boots and shoes will reduce the risk of injury.
6. Use personal protective equipment. Always wear eye protection. Protective equipment such as a dust mask, non-skid safety shoes, hard hat or hearing protection used for appropriate conditions will reduce personal injuries.
7. Inspect the cord before operating the machine. If the cord is damaged, ask Makita Authorized Service Centers for repair.

Operation

1. Switch off the blower and remove the battery and make sure that all moving parts have come to a complete stop
 - whenever you leave the blower.
 - before clearing blockages.
 - before checking, cleaning or working on the blower.
 - if the blower starts to vibrate abnormally.
2. Operate the blower only in daylight or in good artificial light.
3. Do not overreach and keep proper balance and footing at all times.
4. Always be sure of your footing on slopes.
5. Walk, never run.
6. Keep all cooling air inlets clear of debris.
7. Never blow debris in the direction of bystanders.
8. Operate the blower in a recommended position and on a firm surface.
9. Do not operate the blower at high places.
10. Never point the nozzle at anyone in the vicinity when using the blower.

11. Never block suction inlet and/or blower outlet.
 - Be careful not to block suction inlet or blower outlet with dust or dirt when operating in dusty area.
 - Do not use nozzles other than the nozzles provided by Makita.
 - Do not use the blower to inflate balls, rubber boat or the similar.
12. Do not operate the blower near open window, etc.
13. Operating the blower only at reasonable hours is recommended - not early in the morning or late at night when people might be disturbed.
14. Using rakes and brooms to loosen debris before blowing is recommended.
15. If the blower strikes any foreign objects or should start making any unusual noise or vibration, immediately switch off the blower to stop it. Remove the battery from the blower and inspect the blower for damage before restarting and operating the blower. If the blower is damaged, ask Makita Authorized Service Centers for repair.
16. Do not insert fingers or other objects into suction inlet or blower outlet.
17. Prevent unintentional starting. Ensure the switch is in the off-position before inserting battery, picking up or carrying the blower. Carrying the blower with your finger on the switch or energizing the blower that has the switch on invites accidents.
18. Never blow dangerous materials, such as nails, fragments of glass, or blades.
19. Do not operate the blower near flammable materials.
20. Avoid operating the blower for a long time in low temperature environment.
21. Do not use the machine when there is a risk of lightning.
22. When you use the machine on muddy ground, wet slope, or slippery place, pay attention to your footing.
23. Avoid working in poor environment where increased user fatigue is expected.
24. Do not use the machine in bad weather where visibility is limited. Failure to do so may cause fall or incorrect operation due to low visibility.
25. Do not submerge the machine into a puddle.
26. When wet leaves or dirt adhere to the suction mouth (ventilation window) due to rain, remove them.
5. Always cool down the blower before storing.
6. Do not expose the blower to rain. Store the blower indoors.
7. When you lift the blower, be sure to bend your knees and be careful not to hurt your back.
8. Do not leave the machine unattended outdoors in the rain.
9. Do not wash the machine with high pressure water.
10. When storing the machine, avoid direct sunlight and rain, and store it in a place where it does not get hot or humid.
11. Perform inspection or maintenance in a place where rain can be avoided.
12. After using the machine, remove the adhered dirt and dry the machine completely before storing. Depending on the season or the area, there is a risk of malfunction due to freezing.
13. Do not pick up or carry the machine by holding only the cord.

Battery tool use and care

1. Recharge only with the charger specified by the manufacturer. A charger that is suitable for one type of battery pack may create a risk of fire when used with another battery pack.
2. Use power tools only with specifically designed battery packs. Use of any other battery packs may create a risk of injury and fire.
3. When battery pack is not in use, keep it away from other metal objects, like paper clips, coins, keys, nails, screws or other small metal objects, that can make a connection from one terminal to another. Shorting the battery terminals together may cause burns or a fire.
4. Under abusive conditions, liquid may be ejected from the battery; avoid contact. If contact accidentally occurs, flush with water. If liquid contacts eyes, additionally seek medical help. Liquid ejected from the battery may cause irritation or burns.
5. Do not use a battery pack or tool that is damaged or modified. Damaged or modified batteries may exhibit unpredictable behaviour resulting in fire, explosion or risk of injury.
6. Do not expose a battery pack or tool to fire or excessive temperature. Exposure to fire or temperature above 130 °C may cause explosion.
7. Follow all charging instructions and do not charge the battery pack or tool outside the temperature range specified in the instructions. Charging improperly or at temperatures outside the specified range may damage the battery and increase the risk of fire.

Maintenance and storage

1. Keep all nuts, bolts and screws tight to be sure the blower is in safe working condition.
2. If the parts are worn or damaged, replace them with parts provided by Makita.
3. Store the blower in a dry place out of the reach of children.
4. When you stop the blower for inspection, servicing, storage, or changing accessory, switch off the blower and make sure that all moving parts come to a complete stop, and remove the battery. Cool down the blower before making any work on the blower. Maintain the blower with care and keep it clean.

Electrical and battery safety

1. Do not dispose of the battery(ies) in a fire. The cell may explode. Check with local codes for possible special disposal instructions.
2. Do not open or mutilate the battery(ies). Released electrolyte is corrosive and may cause damage to the eyes or skin. It may be toxic if swallowed.
3. Do not charge battery in rain, or in wet locations.

4. Do not charge the battery outdoors.
5. Do not handle charger, including charger plug, and charger terminals with wet hands.
6. Do not replace the battery in the rain.
7. Do not wet the terminal of battery with liquid such as water, or submerge the battery. Do not leave the battery in the rain, nor charge, use, or store the battery in a damp or wet place. If the terminal gets wet or liquid enters inside of battery, the battery may be short circuited and there is a risk of overheat, fire, or explosion.
8. After removing the battery from the machine or charger, be sure to attach the battery cover to the battery and store it in a dry place.
9. Do not replace the battery with wet hands.
10. If the battery gets wet, drain the water inside and then wipe it with a dry cloth. Dry the battery completely in a dry place before use.

Service

1. Have your power tool serviced by a qualified repair person using only identical replacement parts. This will ensure that the safety of the power tool is maintained.
2. Never service damaged battery packs. Service of battery packs should only be performed by the manufacturer or authorized service providers.

SAVE THESE INSTRUCTIONS.

⚠WARNING: DO NOT let comfort or familiarity with product (gained from repeated use) replace strict adherence to safety rules for the subject product.

MISUSE or failure to follow the safety rules stated in this instruction manual may cause serious personal injury.

Important safety instructions for battery cartridge

1. Before using battery cartridge, read all instructions and cautionary markings on (1) battery charger, (2) battery, and (3) product using battery.
2. Do not disassemble or tamper the battery cartridge. It may result in a fire, excessive heat, or explosion.
3. If operating time has become excessively shorter, stop operating immediately. It may result in a risk of overheating, possible burns and even an explosion.
4. If electrolyte gets into your eyes, rinse them out with clear water and seek medical attention right away. It may result in loss of your eyesight.
5. Do not short the battery cartridge:
 - (1) Do not touch the terminals with any conductive material.
 - (2) Avoid storing battery cartridge in a container with other metal objects such as nails, coins, etc.
 - (3) Do not expose battery cartridge to water or rain.

A battery short can cause a large current flow, overheating, possible burns and even a breakdown.

6. Do not store and use the tool and battery cartridge in locations where the temperature may reach or exceed 50 °C (122 °F).
7. Do not incinerate the battery cartridge even if it is severely damaged or is completely worn out. The battery cartridge can explode in a fire.
8. Do not nail, cut, crush, throw, drop the battery cartridge, or hit against a hard object to the battery cartridge. Such conduct may result in a fire, excessive heat, or explosion.
9. Do not use a damaged battery.
10. The contained lithium-ion batteries are subject to the Dangerous Goods Legislation requirements.

For commercial transports e.g. by third parties, forwarding agents, special requirement on packaging and labeling must be observed.

For preparation of the item being shipped, consulting an expert for hazardous material is required. Please also observe possibly more detailed national regulations.

Tape or mask off open contacts and pack up the battery in such a manner that it cannot move around in the packaging.

11. When disposing the battery cartridge, remove it from the tool and dispose of it in a safe place. Follow your local regulations relating to disposal of battery.
12. Use the batteries only with the products specified by Makita. Installing the batteries to non-compliant products may result in a fire, excessive heat, explosion, or leak of electrolyte.
13. If the tool is not used for a long period of time, the battery must be removed from the tool.
14. During and after use, the battery cartridge may take on heat which can cause burns or low temperature burns. Pay attention to the handling of hot battery cartridges.
15. Do not touch the terminal of the tool immediately after use as it may get hot enough to cause burns.
16. Do not allow chips, dust, or soil stuck into the terminals, holes, and grooves of the battery cartridge. It may result in poor performance or breakdown of the tool or battery cartridge.
17. Unless the tool supports the use near high-voltage electrical power lines, do not use the battery cartridge near high-voltage electrical power lines. It may result in a malfunction or breakdown of the tool or battery cartridge.
18. Keep the battery away from children.

SAVE THESE INSTRUCTIONS.

⚠CAUTION: Only use genuine Makita batteries. Use of non-genuine Makita batteries, or batteries that have been altered, may result in the battery bursting causing fires, personal injury and damage. It will also void the Makita warranty for the Makita tool and charger.

Tips for maintaining maximum battery life

1. Charge the battery cartridge before completely discharged. Always stop tool operation and charge the battery cartridge when you notice less tool power.
2. Never recharge a fully charged battery cartridge. Overcharging shortens the battery service life.
3. Charge the battery cartridge with room temperature at 10 °C - 40 °C (50 °F - 104 °F). Let a hot battery cartridge cool down before charging it.
4. When not using the battery cartridge, remove it from the tool or the charger.
5. Charge the battery cartridge if you do not use it for a long period (more than six months).

ASSEMBLY

CAUTION: Always be sure that the machine is switched off and the portable power pack is disconnected from the machine before carrying out any work on the machine.

Installing the end nozzle

Align the triangle mark on the end nozzle with the triangle mark on the front pipe, then attach the end nozzle to the front pipe, and then turn the end nozzle to lock it into place.

Install the end nozzle so that the tip of the nozzle faces downward. Depending on the working environment, you can install the end nozzle so that the tip of the nozzle is facing up.

► **Fig.1:** 1. Triangle mark 2. End nozzle 3. Front pipe

To remove the end nozzle, perform the installation procedure in reverse.

NOTE: The length of the nozzle can be changed by moving the nozzle as shown in the figure.

► **Fig.2:** 1. End nozzle 2. Front pipe

Installing the flat nozzle or extension nozzle

Optional accessory

1. Align the groove on the adapter pipe with the protrusion on the front pipe, then attach the adapter pipe to the front pipe, and then turn it to lock it into place.

► **Fig.3:** 1. Adapter pipe 2. Front pipe

2. Align the groove on the flat nozzle or extension nozzle with the protrusion on the adapter pipe, then attach the flat nozzle or extension nozzle to the adapter pipe, and then turn it to lock it into place.

► **Fig.4:** 1. Flat nozzle 2. Extension nozzle 3. Adapter pipe

Installing the gutter nozzle set

Optional accessory

1. Align the groove on the adapter pipe with the protrusion on the front pipe, then attach the adapter pipe to the front pipe, and then turn it to lock it into place.

Insert the adapter pipe as far as it will go so that the protrusion fits into the deepest groove on the adapter pipe.

► **Fig.5:** 1. Screw 2. Hose clamp 3. Adapter pipe 4. Front pipe

2. Loosen the screws on the hose clamps, and pass the large hose clamp through the adapter pipe, and then pass the small hose clamp.

3. Connect the extension pipe to the adapter pipe.

Align the groove on the extension pipe with the protrusion on the adapter pipe, and then slide the extension pipe along its groove so that the triangle markings face each other.

► **Fig.6:** 1. Extension pipe 2. Adapter pipe

4. Place the hose clamps onto the grooves as illustrated and tighten the screws.

► **Fig.7:** 1. Screw 2. Hose clamp

5. According to the working height, connect the rest of extension pipes to the extension pipe which has already been attached.

CAUTION: Do not attach the extension pipe if the total length including the blower body exceeds 4 m (14 ft).

6. Turn the outlet of the end nozzle as shown in the figure.

► **Fig.8**

7. Connect the end nozzle to the extension pipe. When connecting, align the triangle marking on the end nozzle and the extension pipe, and then push the end nozzle until it clicks. After that, rotate the end nozzle to a suitable position for your work.

► **Fig.9:** 1. End nozzle 2. Extension pipe 3. Triangle marking

When removing the end nozzle, align the triangle markings on the end nozzle and extension pipe, and then pull out the end nozzle from the extension pipe.

► **Fig.10:** 1. End nozzle 2. Extension pipe 3. Triangle marking

FUNCTIONAL DESCRIPTION

⚠ CAUTION: Always be sure that the machine is switched off and the portable power pack is disconnected from the machine before adjusting or checking function on the machine.

Machine / battery protection system

The machine is equipped with a machine/battery protection system. This system automatically cuts off power to the motor to extend machine and battery life. The machine will automatically stop during operation if the machine or battery is placed under one of the following conditions:

Overload protection

When the machine or battery is operated in a manner that causes it to draw an abnormally high current, the machine automatically stops and the main power lamp of the machine blinks in green. In this situation, turn the machine off and stop the application that caused the machine to become overloaded. Then turn the machine on to restart.

Overheat protection

When the machine or battery is overheated, the machine stops automatically. When the machine is overheated, the main power lamp of the machine lights up in red. When the battery is overheated, the main power lamp of the machine blinks in red. Let the machine and battery cool down before turning the machine on again.

Overdischarge protection

When the battery capacity is not enough, the machine stops automatically and the main power lamp of the machine blinks in red. In this case, remove the battery from the machine and charge the battery or change the battery to fully charged one.

Main power switch

⚠ WARNING: Always turn off the main power switch when not in use.

To turn on the machine, press the main power switch. The main power lamp lights up in green. To turn off, press the main power switch again.

► **Fig.11:** 1. Main power lamp 2. Main power switch

NOTE: This machine employs the auto power-off function. To avoid unintentional start up, the main power switch will automatically shut down when the switch trigger is not pulled for a certain period after the main power switch is turned on.

NOTE: If you press the main power switch when the control lever is not fully returned to the off position, or while you are pulling the switch trigger, the main power lamp blinks in green. In this case, fully return the control lever, or release the switch trigger, and then press the main power switch.

Switch action

⚠ WARNING: Before connecting the portable power pack to the machine, always check to see that the switch trigger actuates properly and returns to the "OFF" position when released.

To start the machine, simply pull the switch trigger. The speed increases by increasing pressure on the switch trigger. Release the switch trigger to stop.

► **Fig.12:** 1. Switch trigger

You can use the machine in the Boost mode. In the Boost mode, the air volume becomes larger than in the normal mode. To use the machine in the Boost mode, pull the switch trigger until the switch trigger stops in the halfway position, and then pull the switch trigger fully.

► **Fig.13:** 1. Switch trigger

NOTE: Depending on the usage conditions, use of the Boost mode is restricted to protect the machine. If the main power lamp of the machine blinks in green when you pull the switch trigger fully or while you are using the machine in the Boost mode, the Boost mode is not available.

NOTE: The Boost mode is not available by turning the control lever.

Cruise control function

The cruise control function allows the operator to maintain a constant speed without pulling the trigger. To increase the speed, turn the control lever forward. To decrease the speed, turn the control lever backward.

► **Fig.14:** 1. Control lever

Accidental re-start preventive function

Even if you connect the portable power pack to the machine while pulling the switch trigger, the machine does not start. To start the machine, first release the switch trigger and return the control lever fully, and then pull the switch trigger.

OPERATION

Connecting the portable power pack

⚠ CAUTION: When you use the machine in combination of the backpack-type power supply such as portable power pack, use the hanging band included in the machine package or the hanging band recommended by Makita.

If you put on the shoulder harness not recommended by Makita and the shoulder harness of the backpack-type power supply at the same time, removing the machine or backpack-type power supply is difficult in case of an emergency, and it may cause an accident or injury. For the recommended hanging band, ask Makita Authorized Service Centers.

⚠ CAUTION: Before operation, make sure that the buckles on the waist belt is locked and the machine is securely attached to the hook of the hanging band.

⚠ CAUTION: To prevent unintentional start up, make sure that the machine and portable power pack are turned off before starting this procedure.

⚠ CAUTION: Before performing this procedure, finish the adjustments for the waist belt and shoulder harness. Refer to the instruction manual of the portable power pack for details.

For PDC1200

⚠ CAUTION: When removing the battery, press the lock button while holding the handle firmly. Before removing the battery, set the waist belt to the lowest position.

▶ Fig.15: 1. Handle 2. Lock button

⚠ CAUTION: Be careful not to pinch your fingers or thumbs between the battery and the base plate when attaching the battery.

⚠ CAUTION: Make sure that the battery is securely fixed to the base plate. Otherwise, the battery may fall when you wear the unit or use the unit, and cause an injury. If you can see the red indicator as shown in the figure, the battery is not locked completely.

▶ Fig.16: 1. Red indicator

For PDC01

NOTE: Before performing this procedure, install the battery cartridge(s) to the portable power pack. Refer to the instruction manual of the portable power pack for details.

1. Pull out the cord from either left or right side of the battery.

For PDC1200

Remove the battery from the base plate, and then pull out the cord from either left or right side of the battery, and then attach the battery to the base plate. When pulling out the cord, be sure to set the cord in the holders as shown in the figure.

▶ Fig.17: 1. Cord 2. Holder

For PDC01

When pulling out the cord, be sure to set the cord in the holders as shown in the figure.

▶ Fig.18: 1. Cord 2. Holder

2. Attach the cord to the cord holders.

▶ Fig.19: 1. Cord holder

3. Attach the hooks of the hanging band to the rings of the shoulder harness and waist belt.

▶ Fig.20: 1. Ring 2. Hook

4. Press the power button on the portable power pack. The main power lamp will light up.

For PDC1200

▶ Fig.21: 1. Power button 2. Main power lamp

For PDC01

▶ Fig.22: 1. Power button 2. Main power lamp

5. Wear the shoulder harness of the portable power pack and lock the buckle on the waist belt.

▶ Fig.23

6. Attach the shoulder harness to the machine using the hook on the hanging band. Be sure to hook on the hanger of the machine.

▶ Fig.24: 1. Hook 2. Hanger

Adjust the length of the hanging band as necessary.

▶ Fig.25

7. Insert the plug of the machine into the socket of the portable power pack.

When inserting, align the triangle marking on both the plug and the socket.

▶ Fig.26: 1. Plug 2. Socket 3. Triangle marking

8. Press the main power switch to turn on the machine.

The machine is ready to operate. The machine will run when you pull the switch trigger.

▶ Fig.27: 1. Main power switch

NOTE: You can also use the hanging band as shown in the figure.

▶ Fig.28

Adjust the length of the hanging band as necessary.

▶ Fig.29

Blower operation

⚠ CAUTION: Do not place the machine on the ground while it is switched on. Sand or dust may enter from suction inlet and cause a malfunction or personal injury.

Hold the machine firmly with a hand and perform the blowing operation by moving it around slowly. When blowing around building, big stone or vehicle, direct the nozzle away from them. When performing an operation in a corner, start from the corner and then move to wide area.

▶ Fig.30

When setting down the machine, unlock the buckle on the hanging band with one hand while holding the machine with the other hand.

▶ Fig.31: 1. Buckle

▶ Fig.32: 1. Buckle

When setting down the machine and the portable power pack at the same time, unlock the buckle on the waist belt, and then set down the machine and the portable power pack.

▶ Fig.33: 1. Buckle

NOTE: When unlocking the buckle, press the claws of the buckle on both sides. When locking the buckle, insert the claws until they are locked.

► Fig.34: 1. Claw

Using the gutter nozzle set

CAUTION: When using the gutter nozzle set, do not use the machine in the Boost mode. You may lose balance and it may cause an accident since the air volume becomes larger in the Boost mode.

CAUTION: When using the gutter nozzle set, do not hold the blower with single hand but with both hands.

► Fig.35

CAUTION: Do not use the gutter nozzle set near electric wires.

► Fig.36

CAUTION: Do not use the gutter nozzle set on windy day.

► Fig.37

CAUTION: When using the gutter nozzle set, keep other people or animal more than 15 m (50 ft) away from the blower.

► Fig.38

Hold the blower upright by grabbing the handle of the blower. Place the outlet of the blower on the gutter and then turn on the blower.

► Fig.39

MAINTENANCE

CAUTION: Always be sure that the machine is switched off and the portable power pack is disconnected from the machine before attempting to perform inspection or maintenance.

To maintain product SAFETY and RELIABILITY, repairs, any other maintenance or adjustment should be performed by Makita Authorized or Factory Service Centers, always using Makita replacement parts.

Cleaning the machine

Clean the machine by wiping off dust with a dry cloth or one dipped in soapy water and wrung out.

► Fig.40

NOTICE: Never use gasoline, benzine, thinner, alcohol or the like. Discoloration, deformation or cracks may result.

Remove dust or dirt from the suction inlet at the rear of the machine.

► Fig.41: 1. Suction inlet

Storage

Before storing the machine, disconnect the portable power pack from the machine, and perform full maintenance. Store the machine in a place out of the reach of children and not exposed to moisture, rain, or direct sunlight.

The hook hole on the bottom of the machine is convenient for hanging the machine from a nail or screw on the wall.

► Fig.42: 1. Hole

TROUBLESHOOTING

Before asking for repairs, conduct your own inspection first. If you find a problem that is not explained in the manual, do not attempt to dismantle the machine. Instead, ask Makita Authorized Service Centers, always using Makita replacement parts for repairs.

State of abnormality	Probable cause (malfunction)	Remedy
Motor does not run.	Battery is not installed.	Install the battery.
	Battery problem (under voltage)	Recharge the battery. If recharging is not effective, replace battery.
	The drive system does not work correctly.	Ask your local authorized service center for repair.
Motor stops running after a little use.	Battery's charge level is low.	Recharge the battery. If recharging is not effective, replace battery.
	Overheating.	Stop using the machine to allow it to cool down.
The machine does not reach the maximum speed.	Battery is installed improperly.	Install the battery as described in this manual.
	Battery power is dropping.	Recharge the battery. If recharging is not effective, replace battery.
	The drive system does not work correctly.	Ask your local authorized service center for repair.
Abnormal vibration: ⇒ stop the machine immediately!	The drive system does not work correctly.	Ask your local authorized service center for repair.
Motor cannot stop: ⇒ Remove the battery immediately!	Electric or electronic malfunction.	Remove the battery and ask your local authorized service center for repair.

OPTIONAL ACCESSORIES

⚠ CAUTION: These accessories or attachments are recommended for use with your Makita product specified in this manual. The use of any other accessories or attachments might present a risk of injury to persons. Only use accessory or attachment for its stated purpose.

If you need any assistance for more details regarding these accessories, ask your local Makita Service Center.

- Adapter pipe
- Extension nozzle
- Flat nozzle
- Gutter nozzle set
- Band assembly
- Makita genuine battery and charger

NOTE: Some items in the list may be included in the product package as standard accessories. They may differ from country to country.

SPÉCIFICATIONS

Modèle :		UB001C
Capacités	Volume d'air	0 - 17,6 m ³ /min
	Vitesse de l'air (moyenne)	0 - 58,0 m/s
	Vitesse de l'air (max.)	0 - 70,0 m/s
Longueur totale (avec buse d'extrémité)		960 mm/1 010 mm/1 060 mm
Tension nominale		36 V - 40 V c.c. max.
Poids net		2,6 - 2,9 kg
Degré de protection		IPX4

- Étant donné l'évolution constante de notre programme de recherche et de développement, les spécifications contenues dans ce manuel sont sujettes à modification sans préavis.
- Les spécifications peuvent varier suivant les pays.
- Poids selon la procédure EPTA 01/2014





Support d'alimentation portable applicable

PDC1200/PDC01

⚠ AVERTISSEMENT : N'utilisez que les supports d'alimentation portables répertoriés ci-dessus. L'utilisation de n'importe quel autre support d'alimentation portable peut provoquer des blessures et/ou un incendie.

Symboles

Vous trouverez ci-dessous les symboles susceptibles d'être utilisés pour l'appareil. Veuillez à comprendre leur signification avant toute utilisation.

	Veillez être prudent et rester attentif.
	Lire le mode d'emploi.
	Gardez vos mains à l'écart des pièces en rotation.
	Les cheveux longs risquent de se prendre dans les pièces en mouvement.
	Tenez les personnes à l'écart.
	Porter des lunettes de protection et un serre-tête antibruit.
	Ne pas exposer à l'humidité.
 Ni-MH Li-Ion	Pour les pays de l'Union européenne uniquement Ne jetez pas les appareils électriques ou les batteries avec vos ordures ménagères ! Conformément aux directives européennes relatives aux déchets d'équipements électriques et électroniques et aux piles et accumulateurs ainsi qu'aux déchets de piles et d'accumulateurs et leur mise en œuvre conformément aux lois nationales, les équipements électriques, les piles et les batteries en fin de vie doivent faire l'objet d'une collecte sélective et être confiés à une usine de recyclage respectueuse de l'environnement.

Utilisations

La machine est conçue pour souffler la poussière.

Bruit

Niveau de bruit pondéré A typique, déterminé selon EN50636-2-100 :

Niveau de pression sonore (L_{pA}) : 83,4 dB (A)

Incertitude (K) : 2,2 dB (A)

Niveau de puissance sonore (L_{WA}) : 91,4 dB (A)

Incertitude (K) : 2,5 dB (A)

NOTE : La ou les valeurs d'émission de bruit déclarées ont été mesurées conformément à la méthode de test standard et peuvent être utilisées pour comparer les outils entre eux.

NOTE : La ou les valeurs d'émission de bruit déclarées peuvent aussi être utilisées pour l'évaluation préliminaire de l'exposition.

⚠ AVERTISSEMENT : Portez un serre-tête antibruit.

⚠ AVERTISSEMENT : L'émission de bruit lors de l'usage réel de l'outil électrique peut être différente de la ou des valeurs déclarées, suivant la façon dont l'outil est utilisé, particulièrement selon le type de pièce usinée.

⚠ AVERTISSEMENT : Les mesures de sécurité à prendre pour protéger l'utilisateur doivent être basées sur une estimation de l'exposition dans des conditions réelles d'utilisation (en tenant compte de toutes les composantes du cycle d'utilisation, comme par exemple le moment de sa mise hors tension, lorsqu'il tourne à vide et le moment de son déclenchement).

Vibrations

Valeur totale de vibrations (somme de vecteur triaxial) déterminée selon EN50636-2-100 :

Mode de travail : fonctionnement à vide

Émission de vibrations (a_h) : 2,5 m/s² ou moins

Incertitude (K) : 1,5 m/s²

NOTE : La ou les valeurs de vibration totales déclarées ont été mesurées conformément à la méthode de test standard et peuvent être utilisées pour comparer les outils entre eux.

NOTE : La ou les valeurs de vibration totales déclarées peuvent aussi être utilisées pour l'évaluation préliminaire de l'exposition.

⚠ AVERTISSEMENT : L'émission de vibrations lors de l'usage réel de l'outil électrique peut être différente de la ou des valeurs déclarées, suivant la façon dont l'outil est utilisé, particulièrement selon le type de pièce usinée.

⚠ AVERTISSEMENT : Les mesures de sécurité à prendre pour protéger l'utilisateur doivent être basées sur une estimation de l'exposition dans des conditions réelles d'utilisation (en tenant compte de toutes les composantes du cycle d'utilisation, comme par exemple le moment de sa mise hors tension, lorsqu'il tourne à vide et le moment de son déclenchement).

Déclaration de conformité CE

Pour les pays européens uniquement

La déclaration de conformité CE est fournie en Annexe A à ce mode d'emploi.

CONSIGNES DE SÉCURITÉ

Consignes de sécurité pour souffleur à batterie

⚠ AVERTISSEMENT : Lisez toutes les consignes de sécurité et toutes les instructions. Il y a un risque d'électrocution, d'incendie et/ou de graves blessures si les mises en garde et les instructions ne sont pas respectées.

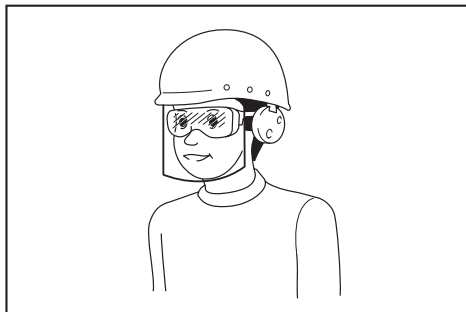
Conservez toutes les mises en garde et instructions pour référence ultérieure.

Formation

1. Lisez attentivement les instructions. Familiarisez-vous avec les commandes et la bonne utilisation du souffleur.
2. Ne laissez en aucun cas les enfants, les personnes aux facultés physiques, sensorielles ou mentales diminuées ou sans expérience ni expertise ou les personnes qui ne sont pas familiarisées avec ces instructions utiliser le souffleur. Les réglementations locales peuvent limiter l'âge de l'utilisateur.
3. N'utilisez jamais le souffleur alors que des personnes, et tout particulièrement des enfants, ou des animaux domestiques se trouvent à proximité.
4. Gardez à l'esprit que l'opérateur ou l'utilisateur est responsable des accidents ou risques encourus par les personnes ou leur propriété.

Préparatifs

1. Portez toujours des chaussures résistantes et un pantalon long pendant l'utilisation du souffleur.
2. Ne portez pas de vêtements amples ou de bijoux qui peuvent être happés par l'entrée d'air. Maintenez les cheveux longs à l'écart des entrées d'air.
3. Pour protéger vos yeux des blessures lorsque vous utilisez un outil électrique, portez toujours des lunettes de protection, lesquelles doivent être conformes à ANSI Z87.1 aux États-Unis, EN 166 en Europe ou AS/NZS 1336 en Australie/Nouvelle-Zélande. En Australie/Nouvelle-Zélande, la loi exige également le port d'un écran facial pour se protéger le visage.



L'employeur est responsable d'imposer le port d'équipements de sécurité appropriés par les utilisateurs de l'outil et par les autres personnes se trouvant à proximité de la zone de travail.

4. Il est recommandé de porter un écran facial pour éviter les irritations dues à la poussière.
5. Pendant l'utilisation de la machine, toujours porter des chaussures antidérapantes et de protection. Porter des bottes ou des chaussures de sécurité fermées et antidérapantes permet de réduire le risque de blessure.
6. Utilisez un équipement de protection individuelle. Portez toujours une protection oculaire. Les équipements de sécurité tels que les masques contre les poussières, les chaussures de sécurité antidérapantes, les casques ou les protecteurs d'oreilles utilisés pour les conditions appropriées réduiront les blessures.
7. Inspectez le cordon avant d'utiliser la machine. Si le cordon est endommagé, demandez à votre centre de service après-vente Makita agréé de le réparer.

Fonctionnement

1. Éteignez le souffleur, retirez la batterie et assurez-vous que toutes les pièces mobiles sont parfaitement arrêtées
 - chaque fois que vous laissez le souffleur sans surveillance ;
 - avant de débloquer l'outil ;
 - avant d'effectuer la vérification, le nettoyage ou l'entretien du souffleur ;
 - si le souffleur se met à vibrer de façon anormale.

2. N'utilisez le souffleur qu'à la lumière du jour ou sous un bon éclairage artificiel.
 3. Ne vous penchez pas trop loin et maintenez constamment une bonne assise et un bon équilibre.
 4. Assurez-vous toujours d'être en position stable dans les pentes.
 5. Ne courez jamais ; marchez.
 6. Assurez-vous que toutes les entrées de l'air de refroidissement ne sont pas obstruées par des débris.
 7. Ne soufflez jamais de débris en direction des personnes.
 8. Utilisez le souffleur dans la position recommandée et sur une surface ferme.
 9. N'utilisez pas le souffleur en hauteur.
 10. Ne pointez jamais la buse en direction d'une personne à proximité lorsque vous utilisez le souffleur.
 11. Ne bloquez jamais l'entrée d'aspiration et/ou la sortie du souffleur.
 - Prenez garde de ne pas bloquer l'entrée d'aspiration ou la sortie du souffleur avec de la poussière ou de la saleté lorsque vous travaillez dans une zone poussiéreuse.
 - N'utilisez pas de buses autres que celles fournies par Makita.
 - N'utilisez pas le souffleur pour gonfler des ballons, un bateau pneumatique ou autre.
 12. N'utilisez pas le souffleur près de fenêtres ouvertes, etc.
 13. Il est recommandé d'utiliser le souffleur uniquement à des heures raisonnables : pas tôt le matin ni tard le soir lorsque vous risquez de déranger les gens.
 14. Il est recommandé de séparer les débris à l'aide d'un râteau ou d'un balai avant de les souffler.
 15. Si le souffleur heurte un corps étranger ou démarre en faisant un bruit anormal ou en vibrant, éteignez-le immédiatement pour l'arrêter. Retirez la batterie du souffleur et vérifiez l'absence de dommages avant de redémarrer et d'utiliser le souffleur. Si le souffleur est endommagé, demandez à votre centre de service après-vente Makita agréé de le réparer.
 16. N'insérez pas les doigts ou d'autres objets dans l'entrée d'aspiration ou la sortie du souffleur.
 17. Évitez les démarrages intempestifs. Assurez-vous que l'interrupteur est en position d'arrêt avant d'insérer la batterie, de ramasser ou de transporter le souffleur. Transporter le souffleur en ayant le doigt sur l'interrupteur ou l'allumer alors que l'interrupteur est en position de marche est source d'accidents.
 18. Ne soufflez jamais de matières dangereuses, comme des clous, des débris de verre ou des lames.
 19. N'utilisez pas le souffleur à proximité de matériaux inflammables.
 20. Évitez d'utiliser le souffleur pendant une période prolongée dans un environnement à basse température.
 21. N'utilisez pas la machine en cas d'orage.
 22. Lorsque vous utilisez la machine sur un sol boueux, une pente trempée ou un endroit glissant, faites attention de ne pas perdre l'équilibre.
 23. Évitez de travailler dans un piètre environnement susceptible d'accroître la fatigue de l'utilisateur.
 24. N'utilisez pas la machine par mauvais temps avec une visibilité réduite. Le non-respect de cette précaution pourrait entraîner votre chute ou un fonctionnement incorrect en raison de la faible visibilité.
 25. Ne plongez pas la machine dans une flaque.
 26. Si des feuilles mouillées ou des saletés se collent sur la bouche d'aspiration (ouverture d'aération) en raison de la pluie, retirez-les.
- Entretien et rangement**
1. Gardez tous les écrous, boulons et vis bien serrés pour assurer le fonctionnement sûr du souffleur.
 2. Si les pièces sont usées ou endommagées, remplacez-les par des pièces fournies par Makita.
 3. Rangez le souffleur dans un endroit sec hors de la portée des enfants.
 4. Lorsque vous arrêtez le souffleur pour inspection, entretien, rangement ou changement d'accessoire, éteignez-le et assurez-vous que toutes les pièces mobiles sont parfaitement arrêtées, et retirez la batterie. Laissez refroidir le souffleur avant toute intervention. Entretenez le souffleur avec soin et gardez-le propre.
 5. Laissez toujours refroidir le souffleur avant de le ranger.
 6. N'exposez pas le souffleur à la pluie. Rangez-le à l'intérieur.
 7. Lorsque vous soulevez le souffleur, assurez-vous de plier les genoux et prenez soin de ne pas vous blesser le dos.
 8. Ne laissez pas la machine sans surveillance à l'extérieur sous la pluie.
 9. Ne lavez pas la machine avec de l'eau sous pression.
 10. Lorsque vous rangez la machine, évitez les endroits exposés aux rayons directs du soleil ou à la pluie, et rangez-la dans un endroit tempéré et sec.
 11. Procédez à l'inspection ou à l'entretien de la machine dans un endroit non affecté par la pluie.
 12. Après avoir utilisé la machine, retirez la saleté collée et séchez-la complètement avant de la ranger. Selon la saison ou la région, le gel peut présenter un risque de dysfonctionnement.
 13. Évitez de saisir ou de transporter la machine uniquement par son cordon.
- Utilisation et entretien des outils fonctionnant sur batterie**
1. Rechargez la batterie uniquement avec le chargeur spécifié par le fabricant. Un chargeur qui est adapté à un type spécifique de batterie peut présenter un risque d'incendie s'il est utilisé avec un autre type de batterie.

2. **Utilisez un outil électrique uniquement avec la batterie spécifiquement indiquée.** L'utilisation de toute autre batterie peut présenter un risque de blessure et d'incendie.
3. **Lorsque vous n'utilisez pas la batterie, tenez-la à l'écart des objets métalliques, comme des trombones, pièces de monnaie, clés, clous, vis ou autres petits objets métalliques, susceptibles de créer une connexion entre deux bornes.**
Court-circuiter les bornes d'une batterie entre elles peut provoquer des brûlures ou un incendie.
4. **Dans des conditions d'utilisation inadéquate, il peut y avoir une fuite de l'électrolyte de la batterie. Le cas échéant, évitez tout contact avec ce liquide. En cas de contact accidentel, rincez à l'eau. Si le liquide pénètre dans les yeux, consultez par ailleurs un médecin.** Le liquide s'échappant de la batterie peut provoquer une irritation ou des brûlures.
5. **N'utilisez pas une batterie ou un outil s'ils sont endommagés ou modifiés.** Une batterie endommagée ou modifiée peut avoir un comportement imprévisible susceptible d'entraîner un incendie, une explosion ou des blessures.
6. **N'exposez pas la batterie ou l'outil au feu ou à une température excessive.** L'exposition au feu ou à une température supérieure à 130 °C peut provoquer une explosion.
7. **Respectez toutes les instructions de charge et ne chargez pas la batterie ou l'outil en dehors de la plage de température indiquée dans les instructions.** Une charge incorrecte ou à une température en dehors de la plage indiquée peut endommager la batterie et augmenter le risque d'incendie.
10. **Si la batterie est mouillée, videz l'eau à l'intérieur, puis essuyez-la avec un chiffon sec. Séchez complètement la batterie dans un endroit sec avant utilisation.**

Dépannage

1. **Confiez la réparation de votre outil électrique à un réparateur qualifié qui utilise des pièces de rechange identiques.** La sécurité de l'outil électrique sera ainsi préservée.
2. **Ne dépannez jamais les batteries endommagées.** Le dépannage des batteries doit être effectué uniquement par le fabricant ou un dépanneur agréé.

CONSERVEZ CES INSTRUCTIONS.

⚠️ AVERTISSEMENT : NE vous laissez PAS tromper (au fil d'une utilisation répétée) par un sentiment d'aisance et de familiarité avec le produit, en négligeant le respect rigoureux des consignes de sécurité qui accompagnent le produit en question.

La MAUVAISE UTILISATION de l'outil ou l'ignorance des consignes de sécurité indiquées dans ce mode d'emploi peut entraîner de graves blessures.

Consignes de sécurité importantes pour la batterie

Sécurité électrique et sécurité des batteries

1. **Ne jetez pas la ou les batteries au feu.**
L'élément de la pile pourrait exploser. Consultez les codes locaux pour de possibles instructions de mise au rebut spéciales.
2. **N'ouvrez ni ne manipulez la ou les batteries.**
L'électrolyte qui s'échappe de la batterie est corrosif et peut irriter la peau ou les yeux. Il peut être toxique en cas d'ingestion.
3. **Ne chargez pas la batterie sous la pluie ou dans un endroit mouillé.**
4. **Ne pas charger la batterie à l'extérieur.**
5. **Ne manipulez pas le chargeur, y compris la fiche du chargeur et les bornes du chargeur avec les mains mouillées.**
6. **Ne remplacez pas la batterie sous la pluie.**
7. **Ne mouillez pas la borne de la batterie avec un liquide comme de l'eau, ni ne plongez la batterie dans un liquide. Ne laissez pas la batterie sous la pluie et évitez de charger, utiliser ou ranger la batterie dans un endroit humide ou mouillé.** Si la borne est mouillée ou si un liquide pénètre à l'intérieur de la batterie, un court-circuit est possible et risque de provoquer une surchauffe, un incendie ou une explosion.
8. **Après avoir retiré la batterie de la machine ou du chargeur, veillez à fixer le couvercle de batterie sur la batterie et à la ranger dans un endroit sec.**
9. **Ne remplacez pas la batterie avec les mains mouillées.**

1. **Avant d'utiliser la batterie, lisez toutes les instructions et précautions relatives (1) au chargeur de batterie, (2) à la batterie, et (3) au produit utilisant la batterie.**
2. **Ne désassemblez pas et ne modifiez pas la batterie.** Cela pourrait entraîner un incendie, une chaleur excessive ou une explosion.
3. **Cessez immédiatement l'utilisation si le temps de fonctionnement devient excessivement court. Il y a risque de surchauffe, de brûlures, voire d'explosion.**
4. **Si l'électrolyte pénètre dans vos yeux, rincez-les à l'eau claire et consultez immédiatement un médecin. Il y a risque de perte de la vue.**
5. **Ne court-circuitez pas la batterie :**
 - (1) **Ne touchez les bornes avec aucun matériau conducteur.**
 - (2) **Évitez de ranger la batterie dans un conteneur avec d'autres objets métalliques, par exemple des clous, des pièces de monnaie, etc.**
 - (3) **N'exposez pas la batterie à l'eau ou à la pluie.**

Un court-circuit de la batterie peut provoquer une intensité de courant élevée, une surchauffe, parfois des brûlures et même une panne.
6. **Ne rangez ni n'utilisez l'outil et la batterie dans un endroit où la température risque d'atteindre ou de dépasser 50 °C.**
7. **Ne jetez pas la batterie au feu même si elle est sérieusement endommagée ou complètement épuisée. La batterie peut exploser au contact du feu.**

8. **Abstenez-vous de clouer, couper, écraser, jeter, laisser tomber la batterie, ou de la heurter contre un objet dur.** Cela pourrait entraîner un incendie, une chaleur excessive ou une explosion.
9. **N'utilisez pas la batterie si elle est endommagée.**
10. **Les batteries au lithium-ion contenues sont soumises aux exigences de la législation sur les marchandises dangereuses.**
Lors du transport commercial par des tierces parties ou des transitaires par exemple, des exigences spécifiques en matière d'étiquetage et d'emballage doivent être respectées.
Pour la préparation de l'article expédié, il est nécessaire de consulter un expert en matériau dangereux. Veuillez également respecter les réglementations nationales susceptibles d'être plus détaillées.
Recouvrez les contacts exposés avec du ruban adhésif ou du ruban de masquage et emballez la batterie de telle sorte qu'elle ne puisse pas bouger dans l'emballage.
11. **Lors de la mise au rebut de la batterie, retirez-la de l'outil et jetez-la en lieu sûr. Suivez les réglementations locales en matière de mise au rebut des batteries.**
12. **Utilisez les batteries uniquement avec les produits spécifiés par Makita.** L'insertion de batteries dans des produits non conformes peut provoquer un incendie, une chaleur excessive, une explosion ou une fuite de l'électrolyte.
13. **Lorsque vous n'utilisez pas l'outil pendant une période prolongée, la batterie doit être retirée de l'outil.**
14. **Pendant et après l'utilisation, la batterie peut chauffer, ce qui peut entraîner des brûlures, y compris en cas de température relativement basse. Manipulez les batteries chaudes avec précaution.**
15. **Ne touchez pas la borne de l'outil immédiatement après utilisation car elle peut être assez chaude pour provoquer des brûlures.**
16. **Évitez que des copeaux, de la poussière ou du sol adhèrent aux bornes, aux trous et aux rainures de la batterie.** Cela pourrait réduire les performances ou casser l'outil ou la batterie.
17. **À moins que l'outil prenne en charge un tel usage, n'utilisez pas la batterie à proximité de lignes électriques haute tension.** Cela pourrait entraîner un dysfonctionnement ou casser l'outil ou la batterie.
18. **Conservez la batterie hors de portée des enfants.**

CONSERVEZ CES INSTRUCTIONS.

⚠ ATTENTION : N'utilisez que des batteries Makita d'origine. L'utilisation de batteries de marque autre que Makita ou de batteries modifiées peut provoquer l'explosion des batteries, ce qui présente un risque d'incendie, de dommages matériels et corporels. Cela annulera également la garantie Makita pour l'outil et le chargeur Makita.

Conseils pour assurer la durée de vie optimale de la batterie

1. **Chargez la batterie avant qu'elle ne soit complètement déchargée. Arrêtez toujours l'outil et rechargez la batterie quand vous remarquez que la puissance de l'outil diminue.**
2. **Ne rechargez jamais une batterie complètement chargée. La surcharge réduit la durée de service de la batterie.**
3. **Chargez la batterie à une température ambiante comprise entre 10 °C et 40 °C. Avant de charger une batterie chaude, laissez-la refroidir.**
4. **Lorsque vous n'utilisez pas la batterie, retirez-la de l'outil ou du chargeur.**
5. **Rechargez la batterie si elle est restée inutilisée pendant une période prolongée (plus de six mois).**

ASSEMBLAGE

⚠ ATTENTION : Assurez-vous toujours que la machine est hors tension et que le support d'alimentation portable est débranché de la machine avant toute intervention sur la machine.

Installation de la buse d'extrémité

Alignez le repère triangulaire sur la buse d'extrémité avec le repère triangulaire sur le tuyau avant, puis fixez la buse d'extrémité sur le tuyau avant, et enfin tournez la buse d'extrémité pour qu'elle se verrouille en place. Installez la buse d'extrémité de sorte que la pointe de la buse soit orientée vers le bas. Selon l'environnement de travail, vous pouvez installer la buse d'extrémité de sorte que la pointe de la buse soit orientée vers le haut.

► **Fig.1:** 1. Repère triangulaire 2. Buse d'extrémité 3. Tuyau avant

Pour retirer la buse d'extrémité, effectuez la procédure de pose en sens inverse.

NOTE : La longueur de la buse peut être modifiée en la déplaçant comme illustré sur la figure.

► **Fig.2:** 1. Buse d'extrémité 2. Tuyau avant

Installation de la buse plate ou de la rallonge de buse

Accessoire en option

1. Alignez la rainure sur le tuyau adaptateur avec la partie saillante sur le tuyau avant, puis fixez le tuyau adaptateur sur le tuyau avant, et enfin tournez-le pour qu'il se verrouille en place.

► **Fig.3:** 1. Tuyau adaptateur 2. Tuyau avant

2. Alignez la rainure sur la buse plate ou la rallonge de buse avec la partie saillante sur le tuyau adaptateur, puis fixez la buse plate ou la rallonge de buse au tuyau adaptateur, et ensuite tournez-la pour la verrouiller en place.

► **Fig.4:** 1. Buse plate 2. Rallonge de buse 3. Tuyau adaptateur

Installation du kit de buse pour gouttière

Accessoire en option

1. Alignez la rainure sur le tuyau adaptateur avec la partie saillante sur le tuyau avant, puis fixez le tuyau adaptateur sur le tuyau avant, et enfin tournez-le pour qu'il se verrouille en place.

Insérez le tuyau adaptateur à fond de sorte que la partie saillante s'insère dans la rainure la plus profonde sur le tuyau adaptateur.

► **Fig.5:** 1. Vis 2. Collier de serrage 3. Tuyau adaptateur 4. Tuyau avant

2. Desserrez les vis sur les colliers de serrage et faites passer le grand collier de serrage par le tuyau adaptateur, puis faites passer le petit collier de serrage.

3. Connectez le tuyau prolongateur au tuyau adaptateur.

Alignez la rainure sur le tuyau prolongateur avec la partie saillante sur le tuyau adaptateur, puis faites glisser le tuyau prolongateur le long de sa rainure de sorte que les repères triangulaires soient en face l'un de l'autre.

► **Fig.6:** 1. Tuyau prolongateur 2. Tuyau adaptateur

4. Placez les colliers de serrage sur les rainures comme illustré et serrez les vis.

► **Fig.7:** 1. Vis 2. Collier de serrage

5. Selon la hauteur de travail, connectez le reste des tuyaux prolongateurs au tuyau prolongateur qui est déjà fixé en place.

⚠ATTENTION : Ne fixez pas le tuyau prolongateur si la longueur totale, corps du souffleur compris, dépasse 4 m.

6. Tournez la sortie de la buse d'extrémité comme illustré sur la figure.

► **Fig.8**

7. Raccordez la buse d'extrémité au tuyau prolongateur. Lors du raccordement, alignez le repère triangulaire sur la buse d'extrémité et le tuyau prolongateur, puis poussez la buse d'extrémité jusqu'au déclic. Après cela, tournez la buse d'extrémité sur une position adéquate pour votre travail.

► **Fig.9:** 1. Buse d'extrémité 2. Tuyau prolongateur 3. Repère triangulaire

Lors du retrait de la buse d'extrémité, alignez les repères triangulaires sur la buse d'extrémité et le tuyau prolongateur, puis tirez sur la buse d'extrémité pour la sortir du tuyau prolongateur.

► **Fig.10:** 1. Buse d'extrémité 2. Tuyau prolongateur 3. Repère triangulaire

DESCRIPTION DU FONCTIONNEMENT

⚠ATTENTION : Assurez-vous toujours que la machine est hors tension et que le support d'alimentation portable est débranché de la machine avant de régler ou de vérifier le fonctionnement de la machine.

Système de protection de la machine/batterie

La machine est dotée d'un système de protection de la machine/batterie. Ce système met automatiquement hors tension le moteur pour accroître l'autonomie de la machine et de la batterie. Si la machine ou la batterie se trouve dans l'une des situations suivantes, la machine cessera automatiquement de fonctionner :

Protection contre la surcharge

Lorsque le mode d'utilisation de la machine ou de la batterie entraîne un appel de courant anormalement élevé, la machine s'arrête automatiquement et le témoin d'alimentation principale de la machine clignote en vert. Dans ce cas, éteignez la machine et arrêtez la tâche ayant provoqué la surcharge de la machine. Puis rallumez la machine pour reprendre la tâche.

Protection contre la surchauffe

Lorsque la machine ou la batterie est surchauffe, la machine s'arrête automatiquement. Lorsque la machine surchauffe, le témoin d'alimentation principale de la machine s'allume en rouge. Lorsque la batterie surchauffe, le témoin d'alimentation principale de la machine clignote en rouge. Laissez la machine et la batterie refroidir avant de rallumer la machine.

Protection contre la décharge totale de la batterie

Si la charge de la batterie est insuffisante, la machine s'arrête automatiquement et le témoin d'alimentation principale de la machine clignote en rouge. Dans ce cas, retirez la batterie de la machine et chargez-la, ou bien remplacez la batterie par une batterie complètement chargée.

Interrupteur principal

⚠AVERTISSEMENT : Mettez toujours l'interrupteur principal en position d'arrêt lorsque vous n'utilisez pas l'outil.

Pour allumer la machine, appuyez sur l'interrupteur d'alimentation principale. Le témoin d'alimentation principale s'allume en vert. Pour l'éteindre, appuyez de nouveau sur l'interrupteur d'alimentation principale.

► **Fig.11:** 1. Témoin d'alimentation principale 2. Interrupteur principal

NOTE : Cette machine dispose d'une fonction de mise hors tension automatique. Pour éviter tout démarrage intempestif, l'interrupteur d'alimentation principale effectue automatiquement une mise hors tension lorsque la gâchette n'est pas enclenchée pendant un certain temps après actionnement de l'interrupteur d'alimentation principale.

NOTE : Si vous appuyez sur l'interrupteur d'alimentation principale, lorsque le levier de commande n'est pas complètement ramené à la position d'arrêt ou pendant que vous enclenchez la gâchette, le témoin d'alimentation principale clignote en vert. Dans ce cas, ramenez complètement le levier de commande ou relâchez la gâchette, puis appuyez sur l'interrupteur d'alimentation principale.

Fonctionnement de la gâchette

AVERTISSEMENT : Avant de brancher le support d'alimentation portable sur la machine, vérifiez toujours que la gâchette fonctionne correctement et qu'elle revient sur la position « OFF » (arrêt) quand vous la relâchez.

Pour démarrer la machine, il suffit d'enclencher la gâchette. La vitesse augmente à mesure que vous augmentez la pression sur la gâchette. Pour l'arrêter, relâchez la gâchette.

► Fig.12: 1. Gâchette

Vous pouvez utiliser la machine en mode Boost. En mode Boost, le volume d'air est supérieur à celui du mode normal. Pour utiliser la machine en mode Boost, enclenchez la gâchette jusqu'à ce qu'elle s'arrête à mi-chemin, puis enclenchez-la complètement.

► Fig.13: 1. Gâchette

NOTE : Selon les conditions d'utilisation, l'usage du mode Boost est restreint pour protéger la machine. Si le témoin d'alimentation principale de la machine clignote en vert lorsque vous enclenchez la gâchette complètement ou pendant que vous utilisez la machine en mode Boost, le mode Boost n'est pas disponible.

NOTE : Le mode Boost n'est pas disponible en tournant le levier de commande.

Fonction de régulation automatique de la vitesse

La fonction de régulation automatique de la vitesse vous permet de maintenir une vitesse constante sans avoir à enclencher la gâchette. Pour augmenter la vitesse, tournez le levier de commande vers l'avant. Pour réduire la vitesse, tournez le levier de commande vers l'arrière.

► Fig.14: 1. Levier de commande

Fonction de prévention de redémarrage accidentel

Même si vous connectez le support d'alimentation portable à la machine tout en enclenchant la gâchette, la machine ne démarre pas. Pour démarrer la machine, commencez par relâcher la gâchette et ramener complètement le levier de commande, puis enclenchez la gâchette.

UTILISATION

Connexion du support d'alimentation portable

ATTENTION : Lorsque vous utilisez la machine en combinaison avec une alimentation de type dorsal, comme un support d'alimentation portable, utilisez la lanière de suspension incluse dans l'emballage de la machine ou la lanière de suspension recommandée par Makita.

Si vous placez en même temps une bandoulière non recommandée par Makita et une bandoulière d'alimentation de type dorsal, il est difficile de retirer la machine ou l'alimentation de type dorsal en cas d'urgence, ce qui peut provoquer un accident ou des blessures. Pour connaître la lanière de suspension recommandée, adressez-vous aux centres de service après-vente Makita agréés.

ATTENTION : Avant utilisation, assurez-vous que la boucle sur la ceinture ventrale est fermée et que la machine est solidement fixée au crochet de la lanière de suspension.

ATTENTION : Pour éviter les démarrages intempestifs, assurez-vous que la machine et le support d'alimentation portable sont éteints avant de commencer cette procédure.

ATTENTION : Avant d'effectuer cette procédure, terminez les réglages pour la ceinture ventrale et la bandoulière. Consultez le mode d'emploi du support d'alimentation portable pour en savoir plus.

Pour le PDC1200

ATTENTION : Lors du retrait de la batterie, appuyez sur le bouton de verrouillage tout en tenant fermement la poignée. Avant de retirer la batterie, réglez la ceinture ventrale sur la position la plus basse.

► Fig.15: 1. Poignée 2. Bouton de verrouillage

ATTENTION : Prenez garde de ne pas vous pincer les doigts ou les pouces entre la batterie et la plaque du socle lorsque vous fixez la batterie.

ATTENTION : Assurez-vous que la batterie est solidement fixée à la plaque du socle. Sinon, la batterie pourrait tomber lorsque vous portez l'appareil ou l'utilisez, et provoquer des blessures. Si vous pouvez voir l'indicateur rouge comme illustré sur la figure, la batterie n'est pas complètement verrouillée.

► Fig.16: 1. Indicateur rouge

Pour le PDC01

NOTE : Avant d'effectuer cette procédure, installez la ou les batteries sur le support d'alimentation portable. Consultez le mode d'emploi du support d'alimentation portable pour en savoir plus.

1. Tirez sur le cordon depuis le côté gauche ou droit de la batterie.

Pour le PDC1200

Retirez la batterie de la plaque du socle, tirez le cordon du côté gauche ou droit de la batterie, puis fixez la batterie à la plaque du socle. Lorsque vous tirez sur le cordon, veillez à le placer dans les supports comme illustré sur la figure.

- Fig.17: 1. Cordon 2. Support

Pour le PDC01

Lorsque vous tirez sur le cordon, veillez à le placer dans les supports comme illustré sur la figure.

- Fig.18: 1. Cordon 2. Support

2. Fixez le cordon sur les porte-cordons.

- Fig.19: 1. Porte-cordon

3. Fixez les crochets de la lanière de suspension sur les anneaux de la bandoulière et de la ceinture ventrale.

- Fig.20: 1. Anneau 2. Crochet

4. Appuyez sur le bouton d'alimentation du support d'alimentation portable. Le témoin d'alimentation principale s'allume.

Pour le PDC1200

- Fig.21: 1. Bouton d'alimentation 2. Témoin d'alimentation principale

Pour le PDC01

- Fig.22: 1. Bouton d'alimentation 2. Témoin d'alimentation principale

5. Portez la bandoulière du support d'alimentation portable et fermez la boucle sur la ceinture ventrale.

- Fig.23

6. Fixez la bandoulière à la machine au moyen du crochet sur la lanière de suspension. Veillez à l'accrocher au dispositif de suspension de la machine.

- Fig.24: 1. Crochet 2. Dispositif de suspension

Ajustez la longueur de la lanière de suspension au besoin.

- Fig.25

7. Insérez la fiche de la machine dans la prise du support d'alimentation portable.

Lors de l'insertion, alignez les repères triangulaires sur la fiche et la prise.

- Fig.26: 1. Fiche 2. Prise 3. Repère triangulaire

8. Appuyez sur l'interrupteur d'alimentation principale pour mettre la machine sous tension.

La machine est prête à fonctionner. La machine fonctionnera lorsque vous enfoncez la gâchette.

- Fig.27: 1. Interrupteur d'alimentation principale

NOTE : Vous pouvez également utiliser la lanière de suspension comme illustré sur la figure.

- Fig.28

Ajustez la longueur de la lanière de suspension au besoin.

- Fig.29

Fonctionnement du souffleur

ATTENTION : Ne posez pas la machine au sol alors qu'elle est sous tension. Du sable ou de la poussière pourrait pénétrer par l'entrée d'aspiration et entraîner un dysfonctionnement ou des blessures.

Tenez fermement la machine d'une main et soufflez l'air en déplaçant lentement la machine autour de vous. Lorsque vous soufflez de l'air à côté d'un bâtiment, d'un gros rocher ou d'un véhicule, ne dirigez pas la buse dessus. Lorsque vous travaillez dans un coin, commencez par l'intérieur du coin, puis éloignez-vous.

- Fig.30

Lors du retrait de la machine, débloquez la boucle sur la lanière de suspension avec une main tout en tenant la machine de l'autre main.

- Fig.31: 1. Boucle

- Fig.32: 1. Boucle

Lors du retrait de la machine et du support d'alimentation portable en même temps, débloquez la boucle sur la ceinture ventrale, puis retirez la machine et le support d'alimentation portable.

- Fig.33: 1. Boucle

NOTE : Lors du déblocage de la boucle, appuyez sur les griffes de la boucle des deux côtés. Lors du blocage de la boucle, insérez les griffes jusqu'à ce qu'elles soient verrouillées.

- Fig.34: 1. Griffes

Utilisation du kit de buse pour gouttière

ATTENTION : Lorsque vous utilisez le kit de buse pour gouttière, n'utilisez pas la machine en mode Boost. Vous risqueriez de perdre l'équilibre et cela pourrait provoquer un accident, étant donné que le volume d'air est supérieur en mode Boost.

ATTENTION : Lors de l'utilisation du kit de buse pour gouttière, ne tenez pas le souffleur d'une main mais des deux mains.

- Fig.35

ATTENTION : N'utilisez pas le kit de buse pour gouttière près de fils électriques.

- Fig.36

ATTENTION : N'utilisez pas le kit de buse pour gouttière par temps venteux.

- Fig.37

ATTENTION : Lors de l'utilisation du kit de buse pour gouttière, éloignez les gens ou les animaux de plus de 15 m du souffleur.

- Fig.38

Tenez le souffleur bien droit en saisissant la poignée du souffleur. Placez la sortie du souffleur sur la gouttière, puis allumez le souffleur.

- Fig.39

ENTRETIEN

⚠ ATTENTION : Assurez-vous toujours que la machine est hors tension et que le support d'alimentation portable est débranché de la machine avant d'effectuer tout travail d'inspection ou d'entretien sur la machine.

Pour assurer la SÉCURITÉ et la FIABILITÉ du produit, toute réparation, tout travail d'entretien ou de réglage doivent être effectués par un centre d'entretien Makita agréé, avec des pièces de rechange Makita.

Nettoyage de la machine

Nettoyez la machine en essuyant la poussière avec un chiffon sec ou un chiffon imbibé d'eau savonneuse bien essoré.
► Fig.40

REMARQUE : N'utilisez jamais d'essence, benzine, diluant, alcool ou autre produit similaire. Cela risquerait de provoquer la décoloration, la déformation ou la fissuration de l'outil.

Enlevez la poussière ou la saleté de l'entrée d'aspiration à l'arrière de la machine.

► Fig.41: 1. Entrée d'aspiration

Rangement

Avant de ranger la machine, débranchez le support d'alimentation portable de la machine et effectuez une maintenance complète. Rangez la machine dans un endroit hors de portée des enfants et non exposé à l'humidité, la pluie ou les rayons directs du soleil.

Le trou du crochet au bas de la machine permet d'accrocher la machine à un clou ou une vis au mur.

► Fig.42: 1. Trou

GUIDE DE DÉPANNAGE

Avant de faire une demande de réparation, effectuez d'abord vous-même une inspection. Si vous rencontrez un problème non documenté dans le mode d'emploi, n'essayez pas de démonter la machine. Demandez plutôt à un centre de service après-vente Makita agréé d'effectuer la réparation au moyen de pièces de rechange Makita.

État d'anomalie	Cause probable (dysfonctionnement)	Solution
Le moteur ne tourne pas.	La batterie n'est pas installée.	Mettez les batteries en place.
	Problème de batterie (sous tension)	Rechargez la batterie. Si vous n'arrivez pas à recharger la batterie, remplacez-la.
	Le mécanisme d'entraînement ne fonctionne pas correctement.	Demandez à votre centre de service après-vente local agréé d'effectuer la réparation.
Le moteur s'arrête au bout d'un court moment.	La charge de la batterie est faible.	Rechargez la batterie. Si vous n'arrivez pas à recharger la batterie, remplacez-la.
	Surchauffe.	Arrêtez d'utiliser la machine pour la laisser refroidir.
La machine n'atteint pas la vitesse maximale.	La batterie n'est pas bien installée.	Installez les batteries comme décrit dans ce manuel.
	La batterie faiblit.	Rechargez la batterie. Si vous n'arrivez pas à recharger la batterie, remplacez-la.
	Le mécanisme d'entraînement ne fonctionne pas correctement.	Demandez à votre centre de service après-vente local agréé d'effectuer la réparation.
Vibration anormale : ⇒ arrêtez immédiatement la machine !	Le mécanisme d'entraînement ne fonctionne pas correctement.	Demandez à votre centre de service après-vente local agréé d'effectuer la réparation.
Le moteur ne peut pas s'arrêter : ⇒ retirez immédiatement la batterie !	Dysfonctionnement électrique ou électronique.	Retirez la batterie et demandez à votre centre de service après-vente local agréé d'effectuer la réparation.

ACCESSOIRES EN OPTION

⚠ ATTENTION : Ces accessoires ou pièces complémentaires sont recommandés pour l'utilisation avec le produit Makita spécifié dans ce manuel. L'utilisation de tout autre accessoire ou pièce complémentaire peut comporter un risque de blessure. N'utilisez les accessoires ou pièces complémentaires qu'aux fins auxquelles ils ont été conçus.

Pour obtenir plus de détails sur ces accessoires, contactez votre centre d'entretien local Makita.

- Tuyau adaptateur
- Rallonge de buse
- Buse plate
- Kit de buse pour gouttière
- Ensemble de la lanière
- Batterie et chargeur Makita d'origine

NOTE : Il se peut que certains éléments de la liste soient compris dans l'emballage du produit en tant qu'accessoires standard. Ils peuvent varier d'un pays à l'autre.

TECHNISCHE DATEN

Modell:		UB001C
Kapazitäten	Luftmenge	0 - 17,6 m ³ /min
	Luftgeschwindigkeit (durchschnittlich)	0 - 58,0 m/s
	Luftgeschwindigkeit (max.)	0 - 70,0 m/s
Gesamtlänge (mit Enddüse)		960 mm / 1.010 mm / 1.060 mm
Nennspannung		36 V - 40 V Gleichstrom
Nettogewicht		2,6 - 2,9 kg
Schutzgrad		IPX4

- Wir behalten uns vor, Änderungen der technischen Daten im Zuge der Entwicklung und des technischen Fortschritts ohne vorherige Ankündigung vorzunehmen.
- Die technischen Daten können von Land zu Land unterschiedlich sein.
- Gewicht nach EPTA-Verfahren 01/2014

Anwendbare rückentragbare Akku-Bank

PDC1200 / PDC01

⚠️ WARNUNG: Verwenden Sie nur die oben aufgeführten rückentragbaren Akku-Bänke. Bei Verwendung irgendwelcher anderer rückentragbarer Akku-Bänke besteht Verletzungs- und/oder Brandgefahr.

Symbole

Nachfolgend werden Symbole beschrieben, die für das Gerät verwendet werden können. Machen Sie sich unbedingt vor der Benutzung mit ihrer Bedeutung vertraut.

	Besondere Umsicht und Aufmerksamkeit erforderlich.
	Betriebsanleitung lesen.
	Halten Sie Ihre Hände von rotierenden Teilen fern.
	Langes Haar kann einen Unfall durch Erfassen verursachen.
	Halten Sie Umstehende fern.
	Augen- und Gehörschutz tragen.
	Keiner Feuchtigkeit aussetzen.
	Nur für EU-Länder Werfen Sie Elektrogeräte oder Akkus nicht in den Hausmüll! Unter Einhaltung der Europäischen Richtlinie über Elektro- und Elektronik-Altgeräte, Batterien, Akkus sowie verbrauchte Batterien und Akkus und ihre Umsetzung gemäß den Landesgesetzen müssen Elektrogeräte und Batterien bzw. Akkus, die das Ende ihrer Lebensdauer erreicht haben, getrennt gesammelt und einer umweltgerechten Recycling-Einrichtung zugeführt werden.

Vorgesehene Verwendung

Die Maschine ist für das Wegblasen von Staub vorgesehen.

Geräusch

Typischer A-bewerteter Geräuschpegel ermittelt gemäß EN50636-2-100:

Schalldruckpegel (L_{PA}): 83,4 dB (A)

Messunsicherheit (K): 2,2 dB (A)

Schalleistungspegel (L_{WA}): 91,4 dB (A)

Messunsicherheit (K): 2,5 dB (A)

HINWEIS: Der (Die) angegebene(n) Schallemissionswert(e) wurde(n) im Einklang mit der Standardprüfmethode gemessen und kann (können) für den Vergleich zwischen Werkzeugen herangezogen werden.

HINWEIS: Der (Die) angegebene(n) Schallemissionswert(e) kann (können) auch für eine Vorbewertung des Gefährdungsgrads verwendet werden.

⚠️ WARNUNG: Einen Gehörschutz tragen.

⚠️ WARNUNG: Die Schallemission während der tatsächlichen Benutzung des Elektrowerkzeugs kann je nach der Benutzungsweise des Werkzeugs, und speziell je nach der Art des bearbeiteten Werkstücks, von dem (den) angegebenen Wert(en) abweichen.

⚠️ WARNUNG: Identifizieren Sie Sicherheitsmaßnahmen zum Schutz des Benutzers anhand einer Schätzung des Gefährdungsgrads unter den tatsächlichen Benutzungsbedingungen (unter Berücksichtigung aller Phasen des Arbeitszyklus, wie z. B. Ausschalt- und Leerlaufzeiten des Werkzeugs zusätzlich zur Betriebszeit).

Schwingungen

Schwingungsgesamtwert (Drei-Achsen-Vektorsumme) ermittelt gemäß EN50636-2-100:

Arbeitsmodus: Leerlaufbetrieb

Schwingungsemission (a_n): 2,5 m/s² oder weniger

Messunsicherheit (K): 1,5 m/s²

HINWEIS: Der (Die) angegebene(n) Vibrationsgesamtwert(e) wurde(n) im Einklang mit der Standardprüfmethode gemessen und kann (können) für den Vergleich zwischen Werkzeugen herangezogen werden.

HINWEIS: Der (Die) angegebene(n) Vibrationsgesamtwert(e) kann (können) auch für eine Vorbewertung des Gefährdungsgrads verwendet werden.

⚠️ WARNUNG: Die Vibrationsemission während der tatsächlichen Benutzung des Elektrowerkzeugs kann je nach der Benutzungsweise des Werkzeugs, und speziell je nach der Art des bearbeiteten Werkstücks, von dem (den) angegebenen Emissionswert(en) abweichen.

⚠️ WARNUNG: Identifizieren Sie Sicherheitsmaßnahmen zum Schutz des Benutzers anhand einer Schätzung des Gefährdungsgrads unter den tatsächlichen Benutzungsbedingungen (unter Berücksichtigung aller Phasen des Arbeitszyklus, wie z. B. Ausschalt- und Leerlaufzeiten des Werkzeugs zusätzlich zur Betriebszeit).

EG-Konformitätserklärung

Nur für europäische Länder

Die EG-Konformitätserklärung ist als Anhang A in dieser Bedienungsanleitung enthalten.

SICHERHEITSWARNUNGEN

Sicherheitsanweisungen für Akku-Gebläse

⚠️ WARNUNG: Lesen Sie alle Sicherheitswarnungen und Anweisungen durch. Eine Missachtung der unten aufgeführten Warnungen und Anweisungen kann zu einem elektrischen Schlag, Brand und/oder schweren Verletzungen führen.

Bewahren Sie alle Warnungen und Anweisungen für spätere Bezugnahme auf.

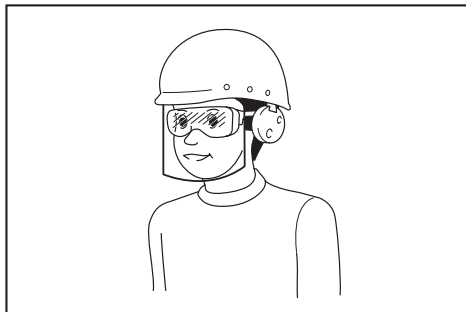
Einarbeitung

1. Lesen Sie die Anweisungen sorgfältig durch. Machen Sie sich mit den Bedienelementen und dem korrekten Gebrauch des Blasgerätes vertraut.

2. Lassen Sie niemals zu, dass Kinder, Personen mit verminderten körperlichen, sensorischen oder geistigen Fähigkeiten oder Mangel an Erfahrung und Kenntnissen, oder Personen, die nicht mit diesen Anweisungen vertraut sind, das Blasgerät benutzen. Örtliche Vorschriften können das Alter der Bedienungsperson einschränken.
3. Betreiben Sie das Blasgerät keinesfalls, während sich Personen, besonders Kinder, oder Haustiere in der Nähe aufhalten.
4. Beachten Sie, dass der Bediener oder Benutzer für Unfälle oder Gefahren verantwortlich ist, die an anderen Personen oder deren Eigentum auftreten.

Vorbereitung

1. Tragen Sie immer kräftiges Schuhwerk und lange Hosen während der Benutzung des Blasgerätes.
2. Tragen Sie keine losen Kleidungsstücke oder Schmucksachen, die in den Lufteinlass eingesaugt werden könnten. Halten Sie langes Haar von den Lufteinlässen fern.
3. Tragen Sie stets eine Schutzbrille, um Ihre Augen bei Verwendung von Elektrowerkzeugen vor Verletzung zu schützen. Die Brille muss der Vorschrift ANSI Z87.1 in den USA, EN 166 in Europa oder AS/NZS 1336 in Australien/Neuseeland entsprechen. In Australien/Neuseeland ist das Tragen eines Gesichtsschutzes gesetzlich vorgeschrieben, um auch Ihr Gesicht zu schützen.



Der Arbeitgeber ist dafür verantwortlich, den Gebrauch von angemessener Schutzausrüstung für die Werkzeugbenutzer und andere Personen im unmittelbaren Arbeitsbereich durchzusetzen.

4. Um eine Reizung der Atemwege durch Staub zu verhindern, wird das Anlegen einer Atemmaske empfohlen.
5. Tragen Sie während des Betriebs der Maschine immer rutschfestes und schützendes Schuhwerk. Rutschfeste Sicherheitstiefel und -schuhe mit geschlossenen Kappen verringern die Verletzungsgefahr.
6. Benutzen Sie persönliche Schutzausrüstung. Tragen Sie stets einen Augenschutz. Sachgemäßer Gebrauch von Schutzausrüstung (z. B. Staubmaske, rutschfeste Sicherheitsschuhe, Helm und Gehörschutz) trägt zu einer Reduzierung der Verletzungsgefahr bei.

- Überprüfen Sie das Kabel, bevor Sie die Maschine in Betrieb nehmen. Falls das Kabel beschädigt ist, wenden Sie sich für eine Reparatur an ein autorisiertes Makita-Servicecenter.

Betrieb

- Schalten Sie das Blasgerät aus, nehmen Sie den Akku ab, und vergewissern Sie sich, dass alle beweglichen Teile zu einem vollständigen Stillstand gekommen sind,
 - wann immer Sie das Blasgerät verlassen.
 - bevor Sie Blockierungen beseitigen.
 - bevor Sie das Blasgerät überprüfen, reinigen oder daran arbeiten.
 - falls das Blasgerät ungewöhnlich zu vibrieren beginnt.
- Betreiben Sie das Blasgerät nur bei Tageslicht oder hellem Kunstlicht.
- Übernehmen Sie sich nicht, und behalten Sie stets Ihr Gleichgewicht und Ihren Stand bei.
- Achten Sie beim Arbeiten auf Hängen stets auf sicheren Stand.
- Stets gehen, niemals laufen.
- Halten Sie alle Kühllufteinlässe frei von Unrat.
- Blasen Sie Unrat niemals in die Richtung von Umstehenden.
- Betreiben Sie das Blasgerät in einer empfohlenen Position und auf einer festen Oberfläche.
- Betreiben Sie das Blasgerät nicht an hohen Orten.
- Richten Sie die Düse während der Benutzung des Blasgerätes niemals auf Personen in der Nähe.
- Blockieren Sie niemals den Saugeinlass und/oder den Gebläseauslass.
 - Achten Sie beim Betrieb in staubiger Umgebung darauf, dass der Saugeinlass oder der Gebläseauslass nicht mit Staub oder Schmutz blockiert werden.
 - Verwenden Sie keine anderen Düsen außer den von Makita bereitgestellten Düsen.
 - Benutzen Sie das Blasgerät nicht, um Bälle, Gummiboote oder dergleichen aufzublasen.
- Betreiben Sie das Blasgerät nicht in der Nähe eines offenen Fensters usw.
- Es wird empfohlen, das Gebläse nur zu normalen Zeiten zu betreiben - nicht früh morgens oder spät abends, wenn Leute gestört werden könnten.
- Es wird empfohlen, Rechen und Besen zu benutzen, um Unrat vor dem Blasen aufzulockern.
- Falls das Blasgerät gegen irgendwelche Fremdkörper stößt oder beginnt, ungewöhnliche Geräusche oder Vibrationen abzugeben, schalten Sie das Blasgerät unverzüglich aus, um es anzuhalten. Nehmen Sie den Akku vom Blasgerät ab, und überprüfen Sie das Blasgerät auf Beschädigung, bevor Sie das Blasgerät wieder starten und in Betrieb nehmen. Falls das Blasgerät beschädigt ist, wenden Sie sich bezüglich einer Reparatur an ein autorisiertes Makita-Servicecenter.

- Stecken Sie keine Finger oder andere Gegenstände in den Saugeinlass oder Gebläseauslass.
- Unbeabsichtigtes Einschalten verhüten. Vergewissern Sie sich, dass sich der Schalter in der Aus-Stellung befindet, bevor Sie den Akku einsetzen bzw. das Blasgerät aufheben oder tragen. Das Tragen des Blasgerätes mit dem Finger am Schalter oder das Aktivieren des Blasgerätes bei eingeschaltetem Schalter führt zu Unfällen.
- Blasen Sie niemals gefährliche Materialien, wie z. B. Nägel, Glasbruchstücke oder Messer weg.
- Betreiben Sie das Blasgerät nicht in der Nähe von brennbaren Materialien.
- Vermeiden Sie längeren Betrieb des Blasgerätes in kalten Umgebungen.
- Benutzen Sie die Maschine nicht, wenn Blitzgefahr besteht.
- Wenn Sie die Maschine auf schlammigem Boden, auf einem nassen Hang oder an einem schlüpfrigen Ort benutzen, achten Sie auf Ihren Stand.
- Vermeiden Sie Arbeiten in ungünstiger Umgebung, wo mit erhöhter Benutzerermüdung zu rechnen ist.
- Benutzen Sie die Maschine nicht bei schlechtem Wetter, wo die Sichtverhältnisse eingeschränkt sind. Anderenfalls kann es zu einem Sturz oder falschem Betrieb wegen schlechter Sichtverhältnisse kommen.
- Tauchen Sie die Maschine nicht in einen Tümpel ein.
- Wenn nasse Blätter oder Schmutz aufgrund von Regen an der Saugöffnung (Belüftungsfenster) haften, entfernen Sie diese.

Wartung und Lagerung

- Halten Sie alle Muttern, Bolzen und Schrauben fest angezogen, um sicherzugehen, dass sich das Blasgerät in gutem Betriebszustand befindet.
- Falls die Teile verschlissen oder beschädigt sind, ersetzen Sie sie durch von Makita bereitgestellte Teile.
- Bewahren Sie das Blasgerät an einem trockenen Ort außer Reichweite von Kindern auf.
- Wenn Sie das Blasgerät für Inspektion, Wartung, Lagerung oder Zubehörwechsel anhalten, schalten Sie das Blasgerät aus, und vergewissern Sie sich, dass alle beweglichen Teile zu einem vollständigen Stillstand gekommen sind, bevor Sie den Akku abnehmen. Lassen Sie das Blasgerät abkühlen, bevor Sie irgendwelche Arbeiten an dem Blasgerät durchführen. Warten Sie das Blasgerät mit Sorgfalt, und halten Sie es sauber.
- Lassen Sie das Blasgerät vor der Lagerung immer abkühlen.
- Setzen Sie das Blasgerät keinem Regen aus. Lagern Sie das Blasgerät in einem Innenraum.
- Wenn Sie das Blasgerät hochheben, beugen Sie unbedingt Ihre Knie, und achten Sie darauf, dass Sie Ihren Rücken nicht verletzen.

8. **Lassen Sie die Maschine nicht unbeaufsichtigt im Freien bei Regen stehen.**
9. **Waschen Sie die Maschine nicht mit Hochdruck-Wasserstrahl.**
10. **Lagern Sie die Maschine nicht an einem Ort, der direktem Sonnenlicht und Regen ausgesetzt ist, sondern an einem Ort, an dem es nicht heiß oder feucht wird.**
11. **Führen Sie Inspektions- oder Wartungsarbeiten an einem Ort durch, wo Regen vermieden werden kann.**
12. **Nachdem Sie die Maschine benutzt haben, entfernen Sie den anhaftenden Schmutz, und lassen Sie die Maschine vor der Lagerung vollständig trocknen.** Je nach Jahreszeit oder Gebiet besteht die Gefahr einer Funktionsstörung durch Gefrieren.
13. **Halten oder tragen Sie die Maschine nicht nur am Kabel.**

Gebrauch und Pflege von Akkuwerkzeugen

1. **Laden Sie den Akku nur mit dem vom Hersteller vorgeschriebenen Ladegerät.** Ein Ladegerät, das für einen Akkutyp geeignet ist, kann bei Verwendung mit einem anderen Akku eine Brandgefahr darstellen.
2. **Benutzen Sie Elektrowerkzeuge nur mit den ausdrücklich vorgeschriebenen Akkus.** Bei Verwendung irgendwelcher anderer Akkus besteht Verletzungs- und Brandgefahr.
3. **Bewahren Sie den Akku bei Nichtgebrauch nicht zusammen mit Metallgegenständen, wie Büroklammern, Münzen, Schlüsseln, Nägeln, Schrauben, und anderen kleinen Metallteilen auf, welche die Kontakte kurzschließen können.** Kurzschließen der Akkukontakte kann Verbrennungen oder einen Brand verursachen.
4. **Bei Missbrauch kann Flüssigkeit aus dem Akku austreten. Vermeiden Sie Kontakt mit dieser Flüssigkeit. Falls Sie versehentlich mit der Flüssigkeit in Berührung kommen, spülen Sie die betroffenen Stellen mit Wasser ab. Falls die Flüssigkeit in die Augen gelangt, suchen Sie zusätzlich ärztliche Hilfe auf.** Die vom Akku austretende Flüssigkeit kann Hautreizungen oder Verätzungen verursachen.
5. **Verwenden Sie keinen Akku und auch kein Werkzeug, der (das) beschädigt oder modifiziert ist.** Beschädigte oder modifizierte Akkus können unvorhersehbares Verhalten zeigen, das zu einem Brand, einer Explosion oder Verletzungsgefahr führen kann.
6. **Setzen Sie einen Akku oder ein Werkzeug nicht Feuer oder übermäßigen Temperaturen aus.** Bei Einwirkung von Feuer oder Temperaturen über 130 °C kann es zu einer Explosion kommen.
7. **Befolgen Sie alle Ladeanweisungen, und laden Sie den Akku bzw. das Werkzeug nicht außerhalb des in den Anweisungen angegebenen Temperaturbereichs.** Wird der Ladevorgang unsachgemäß oder bei Temperaturen außerhalb des angegebenen Bereichs durchgeführt, kann es zu einer Beschädigung des Akkus und erhöhter Brandgefahr kommen.

Sicherheit der Elektrik und des Akkus

1. **Werfen Sie den (die) Akku(s) nicht ins Feuer.** Die Zelle könnte explodieren. Prüfen Sie die örtlichen Vorschriften für mögliche spezielle Entsorgungsanweisungen.
2. **Versuchen Sie nicht, den (die) Akku(s) zu öffnen oder zu verstümmeln.** Freigesetzter Elektrolyt ist korrosiv und kann Schäden an Augen oder Haut verursachen. Falls er verschluckt wird, kann er giftig sein.
3. **Laden Sie den Akku nicht im Regen oder an nassen Orten.**
4. **Laden Sie den Akku nicht im Freien.**
5. **Fassen Sie das Ladegerät, einschließlich des Ladegerätesteckers und der Ladegeräteanschlüsse, nicht mit nassen Händen an.**
6. **Tauschen Sie den Akku nicht im Regen aus.**
7. **Vermeiden Sie Benetzen der Akkukontakte mit einer Flüssigkeit, wie z. B. Wasser, oder Untertauchen des Akkus. Lassen Sie den Akku nicht im Regen stehen, und unterlassen Sie Laden, Benutzen oder Lagern des Akkus an einem feuchten oder nassen Ort.** Falls die Kontakte nass werden, oder eine Flüssigkeit in den Akku eindringt, kann der Akku kurzgeschlossen werden, und es besteht Überhitzungs-, Brand- oder Explosionsgefahr.
8. **Nachdem Sie den Akku von der Maschine oder vom Ladegerät entfernt haben, bringen Sie unbedingt die Akkuabdeckung am Akku an, und lagern Sie ihn an einem trockenen Ort.**
9. **Tauschen Sie den Akku nicht mit nassen Händen aus.**
10. **Falls der Akku nass wird, lassen Sie das eingedrungene Wasser ab, und wischen Sie ihn dann mit einem trockenen Tuch ab. Lassen Sie den Akku an einem trockenen Ort vollkommen trocknen, bevor Sie ihn benutzen.**

Wartung

1. **Lassen Sie Ihr Elektrowerkzeug nur unter Verwendung identischer Ersatzteile von einem qualifizierten Wartungstechniker warten.** Dadurch wird die Aufrechterhaltung der Sicherheit des Elektrowerkzeugs gewährleistet.
2. **Beschädigte Akkus dürfen auf keinen Fall gewartet werden.** Die Wartung von Akkus darf nur vom Hersteller oder von einer Vertragswerkstatt durchgeführt werden.

DIESE ANWEISUNGEN AUFBEWAHREN.

⚠️ WARNUNG: Lassen Sie sich NICHT durch Bequemlichkeit oder Vertrautheit mit dem Produkt (durch wiederholten Gebrauch erworben) von der strikten Einhaltung der Sicherheitsregeln für das vorliegende Produkt abhalten.

MISSBRAUCH oder Missachtung der Sicherheitsvorschriften in dieser Anleitung können schwere Verletzungen verursachen.

Wichtige Sicherheitsanweisungen für Akku

1. **Lesen Sie vor der Benutzung des Akkus alle Anweisungen und Warnhinweise, die an (1) Ladegerät, (2) Akku und (3) Akkuwerkzeug angebracht sind.**
2. **Unterlassen Sie Zerlegen oder Manipulieren des Akkus.** Es kann sonst zu einem Brand, übermäßiger Hitzeentwicklung oder einer Explosion kommen.
3. **Falls die Betriebszeit beträchtlich kürzer geworden ist, stellen Sie den Betrieb sofort ein.** Andernfalls besteht die Gefahr von Überhitzung, möglichen Verbrennungen und sogar einer Explosion.
4. **Falls Elektrolyt in Ihre Augen gelangt, waschen Sie sie mit sauberem Wasser aus, und begeben Sie sich unverzüglich in ärztliche Behandlung.** Andernfalls können Sie Ihre Sehkraft verlieren.
5. **Der Akku darf nicht kurzgeschlossen werden:**
 - (1) **Die Kontakte dürfen nicht mit leitfähigem Material berührt werden.**
 - (2) **Lagern Sie den Akku nicht in einem Behälter zusammen mit anderen Metallgegenständen, wie z. B. Nägel, Münzen usw.**
 - (3) **Setzen Sie den Akku weder Wasser noch Regen aus.**

Ein Kurzschluss des Akkus verursacht starken Stromfluss, der Überhitzung, mögliche Verbrennungen und einen Defekt zur Folge haben kann.

6. **Lagern und benutzen Sie das Werkzeug und den Akku nicht an Orten, an denen die Temperatur 50 °C erreichen oder überschreiten kann.**
7. **Versuchen Sie niemals, den Akku zu verbrennen, selbst wenn er stark beschädigt oder vollkommen verbraucht ist. Der Akku kann im Feuer explodieren.**
8. **Unterlassen Sie Nageln, Schneiden, Zerquetschen, Werfen, Fallenlassen des Akkus oder Schlagen des Akkus mit einem harten Gegenstand.** Eine solche Handlung kann zu einem Brand, übermäßiger Hitzeentwicklung oder einer Explosion führen.
9. **Benutzen Sie keine beschädigten Akkus.**
10. **Die enthaltenen Lithium-Ionen-Akkus unterliegen den Anforderungen der Gefahrengut-Gesetzgebung.**

Für kommerzielle Transporte, z. B. durch Dritte oder Spediteure, müssen besondere Anforderungen zu Verpackung und Etikettierung beachtet werden. Zur Vorbereitung des zu transportierenden Artikels ist eine Beratung durch einen Experten für Gefahrengut erforderlich. Bitte beachten Sie möglicherweise ausführlichere nationale Vorschriften. Überkleben oder verdecken Sie offene Kontakte, und verpacken Sie den Akku so, dass er sich in der Verpackung nicht umher bewegen kann.
11. **Entfernen Sie den Akku zum Entsorgen vom Werkzeug, und entsorgen Sie ihn an einem sicheren Ort. Befolgen Sie die örtlichen Vorschriften bezüglich der Entsorgung von Akkus.**

12. **Verwenden Sie die Akkus nur mit den von Makita angegebenen Produkten.** Das Einsetzen der Akkus in nicht konforme Produkte kann zu einem Brand, übermäßiger Hitzebildung, einer Explosion oder Auslaufen von Elektrolyt führen.
13. **Soll das Werkzeug längere Zeit nicht benutzt werden, muss der Akku vom Werkzeug entfernt werden.**
14. **Bei und nach dem Gebrauch kann der Akku heiß werden, was Verbrennungen oder Niedertemperaturverbrennungen verursachen kann.** Beachten Sie die Handhabung von heißen Akkus.
15. **Berühren Sie nicht den Anschlusskontakt des Werkzeugs unmittelbar nach dem Gebrauch, da er heiß genug werden kann, um Verbrennungen zu verursachen.**
16. **Achten Sie darauf, dass sich keine Späne, Staub oder Schmutz in den Anschlusskontakten, Löchern und Nuten des Akkus absetzen.** Dies kann zu einer Leistungseinbuße oder Betriebsstörung des Werkzeugs oder des Akkus führen.
17. **Wenn das Werkzeug den Einsatz in der Nähe einer Hochspannungs-Stromleitung nicht unterstützt, benutzen Sie den Akku nicht in der Nähe einer Hochspannungs-Stromleitung.** Dies kann zu einer Funktionsstörung oder Betriebsstörung des Werkzeugs oder des Akkus führen.
18. **Halten Sie die Batterie von Kindern fern.**

DIESE ANWEISUNGEN AUFBEWAHREN.

⚠ VORSICHT: Verwenden Sie nur Original-Makita-Akkus. Die Verwendung von Nicht-Original-Makita-Akkus oder von Akkus, die abgeändert worden sind, kann zum Bersten des Akkus und daraus resultierenden Bränden, Personenschäden und Beschädigung führen. Außerdem wird dadurch die Makita-Garantie für das Makita-Werkzeug und -Ladegerät ungültig.

Hinweise zur Aufrechterhaltung der maximalen Akku-Nutzungsdauer

1. **Laden Sie den Akku, bevor er vollkommen erschöpft ist. Schalten Sie das Werkzeug stets aus, und laden Sie den Akku, wenn Sie ein Nachlassen der Werkzeugleistung feststellen.**
2. **Unterlassen Sie erneutes Laden eines voll aufgeladenen Akkus. Überladen führt zu einer Verkürzung der Nutzungsdauer des Akkus.**
3. **Laden Sie den Akku bei Raumtemperatur zwischen 10 – 40 °C. Lassen Sie einen heißen Akku abkühlen, bevor Sie ihn laden.**
4. **Wenn Sie den Akku nicht benutzen, nehmen Sie ihn vom Werkzeug oder Ladegerät ab.**
5. **Der Akku muss geladen werden, wenn er lange Zeit (länger als sechs Monate) nicht benutzt wird.**

MONTAGE

⚠ VORSICHT: Vergewissern Sie sich vor der Durchführung von Arbeiten an der Maschine stets, dass die Maschine ausgeschaltet und die rückentragbare Akku-Bank von der Maschine getrennt ist.

Montieren der Enddüse

Richten Sie das Dreieckszeichen an der Enddüse auf das Dreieckszeichen am Frontrohr aus, befestigen Sie dann die Enddüse am Frontrohr, und drehen Sie dann die Enddüse, um sie einzurasten.

Montieren Sie die Enddüse so, dass die Spitze der Düse nach unten gerichtet ist. Je nach der Arbeitsumgebung können Sie die Enddüse so montieren, dass die Spitze der Düse nach oben gerichtet ist.
▶ **Abb.1:** 1. Dreieckszeichen 2. Enddüse 3. Frontrohr

Zum Abnehmen der Enddüse wenden Sie das Montageverfahren umgekehrt an.

HINWEIS: Die Länge der Düse kann durch Verschieben der Düse geändert werden, wie in der Abbildung gezeigt.

▶ **Abb.2:** 1. Enddüse 2. Frontrohr

Montieren der Flachdüse oder Verlängerungsdüse

Sonderzubehör

1. Richten Sie die Führungsnut am Adapterrohr auf den Vorsprung am Frontrohr aus, befestigen Sie dann das Adapterrohr am Frontrohr, und drehen Sie es dann, um es einzurasten.
▶ **Abb.3:** 1. Adapterrohr 2. Frontrohr

2. Richten Sie die Führungsnut an der Flachdüse oder der Verlängerungsdüse auf den Vorsprung am Adapterrohr aus, befestigen Sie dann die Flachdüse oder Verlängerungsdüse am Adapterrohr, und drehen Sie sie dann, um sie einzurasten.

▶ **Abb.4:** 1. Flachdüse 2. Verlängerungsdüse
3. Adapterrohr

Montieren des Dachrinnen-Düsenatzes

Sonderzubehör

1. Richten Sie die Führungsnut am Adapterrohr auf den Vorsprung am Frontrohr aus, befestigen Sie dann das Adapterrohr am Frontrohr, und drehen Sie es dann, um es einzurasten.

Führen Sie das Adapterrohr bis zum Anschlag ein, so dass der Vorsprung in der tiefsten Nut des Adapterrohrs sitzt.

▶ **Abb.5:** 1. Schraube 2. Schlauchklemme
3. Adapterrohr 4. Frontrohr

2. Lösen Sie die Schrauben an den Schlauchklemmen, schieben Sie zuerst die große Schlauchklemme, dann die kleine Schlauchklemme über das Adapterrohr.

3. Verbinden Sie das Verlängerungsrohr mit dem Adapterrohr.

Richten Sie die Nut am Verlängerungsrohr auf den Vorsprung am Adapterrohr aus, und schieben Sie dann das Verlängerungsrohr entlang seiner Nut, so dass die Dreiecksmarkierungen einander zugewandt sind.

▶ **Abb.6:** 1. Verlängerungsrohr 2. Adapterrohr

4. Setzen Sie die Schlauchklemmen in die Nuten ein, wie dargestellt, und ziehen Sie die Schrauben an.

▶ **Abb.7:** 1. Schraube 2. Schlauchklemme

5. Schließen Sie entsprechend der Arbeitshöhe die übrigen Verlängerungsrohre an das bereits angebrachte Verlängerungsrohr an.

⚠ VORSICHT: Bringen Sie das Verlängerungsrohr nicht an, falls die Gesamtlänge einschließlich des Blaserätekörpers 4 m überschreitet.

6. Drehen Sie den Auslass der Enddüse, wie in der Abbildung gezeigt.

▶ **Abb.8**

7. Schließen Sie die Enddüse an das Verlängerungsrohr an. Richten Sie beim Anschließen die Dreiecksmarkierungen an Enddüse und Verlängerungsrohr aufeinander aus, und schieben Sie dann die Enddüse auf das Verlängerungsrohr, bis sie mit einem Klicken einrastet. Drehen Sie anschließend die Enddüse auf eine für Ihre Arbeit geeignete Position.

▶ **Abb.9:** 1. Enddüse 2. Verlängerungsrohr
3. Dreiecksmarkierung

Zum Abnehmen der Enddüse richten Sie die Dreiecksmarkierungen an Enddüse und Verlängerungsrohr aufeinander aus, und ziehen Sie dann die Enddüse vom Verlängerungsrohr ab.

▶ **Abb.10:** 1. Enddüse 2. Verlängerungsrohr
3. Dreiecksmarkierung

FUNKTIONSBESCHREIBUNG

⚠ VORSICHT: Vergewissern Sie sich vor der Durchführung von Einstellungen oder Funktionsprüfungen der Maschine stets, dass die Maschine ausgeschaltet und die rückentragbare Akku-Bank von der Maschine getrennt ist.

Maschinen-/Akku-Schutzsystem

Die Maschine ist mit einem Maschinen-/Akku-Schutzsystem ausgestattet. Dieses System schaltet die Stromversorgung des Motors automatisch ab, um die Lebensdauer von Maschine und Akku zu verlängern. Die Maschine bleibt während des Betriebs automatisch stehen, wenn die Maschine oder der Akku einer der folgenden Bedingungen unterliegt:

Überlastschutz

Wird die Maschine oder der Akku auf eine Weise benutzt, die eine ungewöhnlich hohe Stromaufnahme bewirkt, bleibt die Maschine automatisch stehen, und die Hauptbetriebslampe blinkt in Grün. Schalten Sie in dieser Situation die Maschine aus, und brechen Sie die Anwendung ab, die eine Überlastung der Maschine verursacht hat. Schalten Sie dann die Maschine wieder ein, um sie neu zu starten.

Überhitzungsschutz

Wenn die Maschine oder der Akku überhitzt wird, bleibt die Maschine automatisch stehen. Wenn die Maschine überhitzt wird, leuchtet die Hauptbetriebslampe der Maschine in Rot auf. Wenn der Akku überhitzt wird, blinkt die Hauptbetriebslampe der Maschine in Rot. Lassen Sie die Maschine und den Akku abkühlen, bevor Sie die Maschine wieder einschalten.

Überentladungsschutz

Wenn die Akkukapazität nicht ausreicht, bleibt die Maschine automatisch stehen, und die Hauptbetriebslampe der Maschine blinkt in Rot. Entfernen Sie in diesem Fall den Akku von der Maschine, und laden Sie den Akku auf, oder tauschen Sie den Akku gegen einen voll aufgeladenen aus.

Hauptbetriebsschalter

⚠️ WARNUNG: Schalten Sie den Hauptbetriebsschalter stets aus, wenn das Werkzeug nicht benutzt wird.

Zum Einschalten der Maschine drücken Sie den Hauptbetriebsschalter. Die Hauptbetriebslampe leuchtet in Grün auf. Zum Ausschalten der Maschine drücken Sie den Hauptbetriebsschalter erneut.

► **Abb.11:** 1. Hauptbetriebslampe
2. Hauptbetriebsschalter

HINWEIS: Diese Maschine verwendet die Abschaltautomatik. Um unbeabsichtigtes Anlaufen zu vermeiden, wird der Hauptbetriebsschalter automatisch abgeschaltet, wenn der Auslöseschalter eine bestimmte Zeitlang nach dem Einschalten des Hauptbetriebsschalters nicht betätigt wird.

HINWEIS: Wenn Sie den Hauptbetriebsschalter drücken, ohne dass der Steuerhebel vollständig auf die Aus-Stellung zurückgekehrt ist, oder während Sie den Auslöseschalter betätigen, blinkt die Hauptbetriebslampe in Grün. Stellen Sie in diesem Fall den Steuerhebel vollständig zurück, oder lassen Sie den Auslöseschalter los, und drücken Sie dann den Hauptbetriebsschalter.

Schalterfunktion

⚠️ WARNUNG: Vergewissern Sie sich vor dem Anschließen der rückentragbaren Akku-Bank an die Maschine stets, dass der Auslöseschalter einwandfrei funktioniert und bei Loslassen ordnungsgemäß auf die „AUS“-Stellung zurückkehrt.

Zum Starten der Maschine betätigen Sie einfach den Auslöseschalter. Die Drehzahl erhöht sich durch verstärkte Druckausübung auf den Auslöseschalter. Zum Anhalten lassen Sie den Auslöseschalter los.

► **Abb.12:** 1. Ein-Aus-Schalter

Sie können die Maschine im Boost-Modus benutzen. Im Boost-Modus wird das Luftvolumen größer als im Normalmodus. Um die Maschine im Boost-Modus zu benutzen, betätigen Sie den Auslöseschalter, bis der Druckpunkt auf halbem Weg erreicht ist, und betätigen Sie dann den Auslöseschalter vollständig.

► **Abb.13:** 1. Ein-Aus-Schalter

HINWEIS: Je nach den Benutzungsbedingungen ist der Gebrauch des Boost-Modus eingeschränkt, um die Maschine zu schützen. Falls die Hauptbetriebslampe der Maschine in Grün blinkt, wenn Sie den Auslöseschalter vollständig betätigen, oder während Sie die Maschine im Boost-Modus benutzen, ist der Boost-Modus nicht verfügbar.

HINWEIS: Der Boost-Modus kann durch Drehen des Steuerhebels unwirksam gemacht werden.

Drehzahlsteuerfunktion

Die Drehzahlsteuerfunktion gestattet es dem Bediener, eine konstante Drehzahl beizubehalten, ohne den Auslöser zu betätigen. Zum Erhöhen der Drehzahl drehen Sie den Steuerhebel nach vorn. Zum Verringern der Drehzahl drehen Sie den Steuerhebel nach hinten.

► **Abb.14:** 1. Steuerhebel

Funktion zur Verhütung eines versehentlichen Wiederanlaufs

Die Maschine läuft nicht an, selbst wenn Sie die rückentragbare Akku-Bank bei betätigtem Auslöseschalter an die Maschine anschließen. Um die Maschine zu starten, lassen Sie zunächst den Auslöseschalter los, und stellen Sie den Steuerhebel vollständig zurück, bevor Sie den Auslöseschalter wieder betätigen.

BETRIEB

Anschließen der rückentragbaren Akku-Bank

⚠️ VORSICHT: Wenn Sie die Maschine in Kombination mit einer rucksackartigen Stromquelle, wie z. B. der rückentragbaren Akku-Bank, betreiben, verwenden Sie das in der Maschinenverpackung enthaltene oder das von Makita empfohlene Aufhängeband.

Falls Sie einen nicht von Makita empfohlenen Schultergurt und den Schultergurt der rucksackartigen Stromquelle gleichzeitig anlegen, ist das Ablegen der Maschine oder der rucksackartigen Stromquelle in einem Notfall schwierig, und es kann zu einem Unfall oder zu Verletzungen kommen. Wenden Sie sich für das empfohlene Aufhängeband an ein autorisiertes Makita-Servicecenter.

⚠️ VORSICHT: Vergewissern Sie sich vor Betriebsbeginn, dass die Schnallen am Hüftgurt eingerastet sind, und dass die Maschine sicher am Haken des Aufhängebands befestigt ist.

⚠️ VORSICHT: Um unbeabsichtigtes Starten zu verhindern, vergewissern Sie sich vor Beginn dieses Verfahrens, dass die Maschine und die rückentragbare Akku-Bank ausgeschaltet sind.

⚠️ VORSICHT: Bevor Sie dieses Verfahren durchführen, vollenden Sie die Einstellungen für Hüftgurt und Schultergurt. Einzelheiten entnehmen Sie bitte der Gebrauchsanleitung der rückentragbaren Akku-Bank.

Für PDC1200

⚠ VORSICHT: Um den Akku abzunehmen, drücken Sie den Sperrknopf, während Sie den Handgriff mit festem Griff halten. Stellen Sie den Hüftgurt auf die niedrigste Position ein, bevor Sie den Akku abnehmen.

► **Abb.15:** 1. Handgriff 2. Sperrknopf

⚠ VORSICHT: Achten Sie beim Anbringen des Akkus darauf, dass Sie nicht Ihre Finger oder Daumen zwischen Akku und Grundplatte einklemmen.

⚠ VORSICHT: Vergewissern Sie sich, dass der Akku sicher an der Grundplatte befestigt ist. Anderenfalls kann der Akku beim Tragen oder Benutzen des Gerätes herunterfallen und eine Verletzung verursachen. Wenn Sie die rote Anzeige sehen können, wie in der Abbildung gezeigt, ist der Akku nicht vollständig verriegelt.

► **Abb.16:** 1. Rote Anzeige

Für PDC01

HINWEIS: Bevor Sie dieses Verfahren durchführen, installieren Sie den (die) Akku(s) an der rückentragbaren Akku-Bank. Einzelheiten entnehmen Sie bitte der Gebrauchsanleitung der rückentragbaren Akku-Bank.

1. Ziehen Sie das Kabel entweder von der linken oder rechten Seite des Akkus heraus.

Für PDC1200

Entfernen Sie den Akku von der Grundplatte, ziehen Sie das Kabel entweder von der linken oder rechten Seite des Akkus heraus, und befestigen Sie dann den Akku an der Grundplatte. Führen Sie das Kabel beim Herausziehen unbedingt in die Halter ein, wie in der Abbildung gezeigt.

► **Abb.17:** 1. Kabel 2. Halter

Für PDC01

Führen Sie das Kabel beim Herausziehen unbedingt in die Halter ein, wie in der Abbildung gezeigt.

► **Abb.18:** 1. Kabel 2. Halter

2. Befestigen Sie das Kabel an den Kabelhaltern.

► **Abb.19:** 1. Kabelhalter

3. Befestigen Sie die Haken des Aufhängebands an den Ringen des Schultergurts und des Hüftgurts.

► **Abb.20:** 1. Ring 2. Haken

4. Drücken Sie die Ein-Aus-Taste an der rückentragbaren Akku-Bank. Die Hauptbetriebslampe leuchtet auf.

Für PDC1200

► **Abb.21:** 1. Ein-Aus-Taste 2. Hauptbetriebslampe

Für PDC01

► **Abb.22:** 1. Ein-Aus-Taste 2. Hauptbetriebslampe

5. Legen Sie den Schultergurt der rückentragbaren Akku-Bank an, und rasten Sie die Schnalle am Hüftriemen ein.

► **Abb.23**

6. Befestigen Sie den Schultergurt mit Hilfe der Haken des Aufhängebands an der Maschine. Hängen Sie unbedingt den Aufhänger der Maschine ein.

► **Abb.24:** 1. Haken 2. Aufhänger

Stellen Sie die Länge des Aufhängebands nach Bedarf ein.

► **Abb.25**

7. Führen Sie den Stecker der Maschine in die Buchse der rückentragbaren Akku-Bank ein.

Achten Sie beim Einführen darauf, dass die Dreiecksmarkierungen an Stecker und Buchse aufeinander ausgerichtet sind.

► **Abb.26:** 1. Stecker 2. Buchse
3. Dreiecksmarkierung

8. Drücken Sie den Hauptbetriebsschalter, um die Maschine einzuschalten.

Die Maschine ist betriebsbereit. Die Maschine läuft, wenn Sie den Auslöseschalter betätigen.

► **Abb.27:** 1. Hauptbetriebsschalter

HINWEIS: Sie können das Aufhängeband auch so verwenden, wie in der Abbildung gezeigt.

► **Abb.28**

Stellen Sie die Länge des Aufhängebands nach Bedarf ein.

► **Abb.29**

Blasgerätebetrieb

⚠ VORSICHT: Legen Sie die Maschine nicht im eingeschalteten Zustand auf den Boden. Sand oder Staub können durch den Saugeinlass eindringen und eine Funktionsstörung oder Personenschäden verursachen.

Halten Sie die Maschine mit einer Hand fest, und führen Sie die Blasarbeit aus, indem Sie sie langsam schwenken. Wenn Sie die Umgebung eines Gebäudes, eines großen Steins oder Fahrzeugs säubern, richten Sie die Düse vom Objekt weg. Um eine Ecke zu säubern, beginnen Sie im Inneren der Ecke, und bewegen Sie sich dann aus der Ecke heraus.

► **Abb.30**

Um die Maschine abzulegen, lösen Sie die Schnalle am Aufhängeband mit einer Hand, während Sie die Maschine mit der anderen Hand halten.

► **Abb.31:** 1. Schnalle

► **Abb.32:** 1. Schnalle

Um die Maschine und die rückentragbare Akku-Bank gleichzeitig abzulegen, lösen Sie die Schnalle am Hüftgurt, und legen Sie dann die Maschine und die rückentragbare Akku-Bank ab.

► **Abb.33:** 1. Schnalle

HINWEIS: Um die Schnalle zu lösen, drücken Sie die Klauen der Schnalle auf beiden Seiten. Um die Schnalle zu verriegeln, führen Sie die Klauen ein, bis sie eingerastet sind.

► **Abb.34:** 1. Klaue

Verwendung des Dachrinnen-Düsensatzes

⚠ VORSICHT: Wenn Sie den Dachrinnen-Düsensatz benutzen, betreiben Sie die Maschine nicht im Boost-Modus. Sie könnten das Gleichgewicht verlieren, und es kann zu einem Unfall kommen, da das Luftvolumen im Boost-Modus größer wird.

⚠ VORSICHT: Wenn Sie den Dachrinnen-Düsensatz verwenden, halten Sie das Blasgerät nicht nur mit einer Hand, sondern mit beiden Händen.

► Abb.35

⚠ VORSICHT: Benutzen Sie den Dachrinnen-Düsensatz nicht in der Nähe von elektrischen Drähten.

► Abb.36

⚠ VORSICHT: Benutzen Sie den Dachrinnen-Düsensatz nicht an einem windigen Tag.

► Abb.37

⚠ VORSICHT: Wenn Sie den Dachrinnen-Düsensatz verwenden, halten Sie Personen und Tiere mindestens 15 m vom Blasgerät entfernt.

► Abb.38

Halten Sie das Blasgerät aufrecht, indem Sie den Handgriff des Blasgerätes greifen. Platzieren Sie den Auslass des Blasgerätes auf die Dachrinne, und schalten Sie dann das Blasgerät ein.

► Abb.39

WARTUNG

⚠ VORSICHT: Vergewissern Sie sich stets, dass die Maschine ausgeschaltet und die rückentragbare Akku-Bank von der Maschine getrennt ist, bevor Sie sich anschicken, Inspektions- oder Wartungsarbeiten durchzuführen.

Um die SICHERHEIT und ZUVERLÄSSIGKEIT dieses Produkts zu gewährleisten, sollten Reparaturen und andere Wartungs- oder Einstellarbeiten nur von Makita-Vertragswerkstätten oder Makita-Kundendienstzentren unter ausschließlicher Verwendung von Makita-Originalersatzteilen ausgeführt werden.

Reinigen der Maschine

Reinigen Sie die Maschine, indem Sie sie mit einem trockenen oder einem in Seifenwasser getauchten und ausgewringenen Tuch abwischen.

► Abb.40

ANMERKUNG: Verwenden Sie auf keinen Fall Benzin, Waschbenzin, Verdünner, Alkohol oder dergleichen. Solche Mittel können Verfärbung, Verformung oder Rissbildung verursachen.

Entfernen Sie Staub oder Schmutz vom Saugeinlass an der Rückseite der Maschine.

► Abb.41: 1. Saugeinlass

Lagerung

Bevor Sie die Maschine lagern, trennen Sie die rückentragbare Akku-Bank von der Maschine, und führen Sie eine vollständige Wartung durch. Lagern Sie die Maschine an einem Ort, der für Kinder unzugänglich und weder Feuchtigkeit noch Regen oder direktem Sonnenlicht ausgesetzt ist.

Das Aufhängerloch im Unterteil der Maschine ist praktisch, um die Maschine an einen Nagel oder eine Schraube an der Wand zu hängen.

► Abb.42: 1. Loch

FEHLERSUCHE

Bevor Sie den Reparaturdienst anrufen, führen Sie zunächst Ihre eigene Inspektion durch. Falls Sie ein Problem finden, das nicht in der Anleitung erläutert wird, versuchen Sie nicht, die Maschine zu zerlegen. Wenden Sie sich stattdessen an autorisierte Makita-Kundendienstzentren, und achten Sie darauf, dass stets Makita-Ersatzteile für Reparaturen verwendet werden.

Zustand der Unregelmäßigkeit	Wahrscheinliche Ursache (Funktionsstörung)	Abhilfemaßnahme
Der Motor läuft nicht.	Es ist kein Akku installiert.	Installieren Sie den Akku.
	Akkustörung (Unterspannung)	Den Akku aufladen. Falls Laden nichts nützt, den Akku austauschen.
	Das Antriebssystem funktioniert nicht korrekt.	Wenden Sie sich bezüglich einer Reparatur an Ihr autorisiertes Kundendienstzentrum.
Der Motor bleibt nach kurzer Zeit stehen.	Der Ladestand des Akkus ist niedrig.	Den Akku aufladen. Falls Laden nichts nützt, den Akku austauschen.
	Überhitzung.	Brechen Sie die Benutzung der Maschine ab, um sie abkühlen zu lassen.
Die Maschine erreicht die Maximaldrehzahl nicht.	Der Akku ist falsch eingesetzt.	Installieren Sie den Akku gemäß der Beschreibung in dieser Anleitung.
	Die Akkuleistung lässt nach.	Den Akku aufladen. Falls Laden nichts nützt, den Akku austauschen.
	Das Antriebssystem funktioniert nicht korrekt.	Wenden Sie sich bezüglich einer Reparatur an Ihr autorisiertes Kundendienstzentrum.
Ungewöhnliche Vibration: ⇒ Die Maschine unverzüglich stoppen!	Das Antriebssystem funktioniert nicht korrekt.	Wenden Sie sich bezüglich einer Reparatur an Ihr autorisiertes Kundendienstzentrum.
Der Motor bleibt nicht stehen: ⇒ Den Akku unverzüglich entfernen!	Funktionsstörung der Elektrik oder Elektronik.	Entfernen Sie den Akku, und wenden Sie sich bezüglich einer Reparatur an Ihr autorisiertes Kundendienstzentrum.

SONDERZUBEHÖR

⚠ VORSICHT: Die folgenden Zubehörteile oder Vorrichtungen werden für den Einsatz mit dem in dieser Anleitung beschriebenen Makita-Produkt empfohlen. Die Verwendung anderer Zubehörteile oder Vorrichtungen kann eine Verletzungsgefahr darstellen. Verwenden Sie Zubehörteile oder Vorrichtungen nur für ihren vorgesehenen Zweck.

Wenn Sie weitere Einzelheiten bezüglich dieser Zubehörteile benötigen, wenden Sie sich bitte an Ihre Makita-Kundendienststelle.

- Adapterrohr
- Verlängerungsdüse
- Flachdüse
- Dachrinnen-Düzensatz
- Bänderinheit
- Original-Makita-Akku und -Ladegerät

HINWEIS: Manche Teile in der Liste können als Standardzubehör im Produktpaket enthalten sein. Sie können von Land zu Land unterschiedlich sein.

DATI TECNICI

Modello:		UB001C
Capacità	Volume d'aria	Da 0 a 17,6 m ³ /min
	Velocità dell'aria (media)	Da 0 a 58,0 m/s
	Velocità dell'aria (max.)	Da 0 a 70,0 m/s
Lunghezza complessiva (con bocchetta finale)		960 mm/1.010 mm/1.060 mm
Tensione nominale		36 V - 40 V CC max
Peso netto		Da 2,6 a 2,9 kg
Grado di protezione		IPX4

- A causa del nostro programma continuativo di ricerca e sviluppo, i dati tecnici sono soggetti a modifiche senza preavviso.
- I dati tecnici possono variare da nazione a nazione.
- Peso in base alla procedura EPTA 01/2014

Gruppo di alimentazione portatile compatibile

PDC1200/PDC01

⚠AVVERTIMENTO: Utilizzare solo i gruppi di alimentazione portatili elencati sopra. L'utilizzo di altri gruppi di alimentazione portatili potrebbe causare lesioni personali e/o un incendio.

Simboli

Le figure seguenti mostrano i simboli utilizzati per l'apparecchio. Accertarsi di comprenderne il significato prima dell'uso.

	Adottare cura e attenzione particolari.
	Leggere il manuale d'uso.
	Tenere le mani lontane dalle parti rotanti.
	I capelli lunghi possono causare incidenti restando impigliati.
	Tenere lontani gli astanti.
	Indossare protezioni per gli occhi e le orecchie.
	Non esporre all'umidità.
 Ni-MH Li-Ion	Solo per le nazioni dell'EU Non smaltire apparecchiature elettriche o batterie insieme ai rifiuti domestici! In osservanza delle Direttive Europee sui rifiuti di apparecchiature elettriche ed elettroniche (RAEE), sulle batterie e gli accumulatori, nonché sulle batterie e gli accumulatori esausti, e dell'implementazione di tali direttive in conformità alle leggi locali, gli apparecchi elettrici e la/e batteria/e che hanno raggiunto la fine della loro vita utile devono essere raccolti separatamente e conferiti a una struttura di smaltimento ecocompatibile.

Utilizzo previsto

La macchina è destinata a soffiare via le polveri.

Rumore

Livello tipico di rumore pesato A determinato in base allo standard EN50636-2-100:

Livello di pressione sonora (L_{pA}) : 83,4 dB (A)

Incertezza (K): 2,2 dB (A)

Livello di potenza sonora (L_{WA}) : 91,4 dB (A)

Incertezza (K): 2,5 dB (A)

NOTA: Il valore o i valori dichiarati delle emissioni di rumori sono stati misurati in conformità a un metodo standard di verifica, e possono essere utilizzati per confrontare un utensile con un altro.

NOTA: Il valore o i valori dichiarati delle emissioni di rumori possono venire utilizzati anche per una valutazione preliminare dell'esposizione.

⚠AVVERTIMENTO: Indossare protezioni per le orecchie.

⚠AVVERTIMENTO: L'emissione di rumori durante l'utilizzo effettivo dell'utensile elettrico può variare rispetto al valore o ai valori dichiarati, a seconda dei modi in cui viene utilizzato l'utensile e specialmente a seconda di che tipo di pezzo venga lavorato.

⚠AVVERTIMENTO: Accertarsi di identificare misure di sicurezza per la protezione dell'operatore che siano basate su una stima dell'esposizione nelle condizioni effettive di utilizzo (tenendo conto di tutte le parti del ciclo operativo, ad esempio del numero di spegnimenti dell'utensile e di quando giri a vuoto, oltre al tempo di attivazione).

Vibrazioni

Valore totale delle vibrazioni (somma vettoriale triassiale) determinato in base allo standard EN50636-2-100:

Modalità di lavoro: funzionamento a vuoto
Emissione di vibrazioni (a_h) : 2,5 m/s² o inferiore
Incertezza (K): 1,5 m/s²

NOTA: Il valore o i valori complessivi delle vibrazioni dichiarati sono stati misurati in conformità a un metodo standard di verifica, e possono essere utilizzati per confrontare un utensile con un altro.

NOTA: Il valore o i valori complessivi delle vibrazioni dichiarati possono venire utilizzati anche per una valutazione preliminare dell'esposizione.

⚠AVVERTIMENTO: L'emissione delle vibrazioni durante l'utilizzo effettivo dell'utensile elettrico può variare rispetto al valore o ai valori dichiarati, a seconda dei modi in cui viene utilizzato l'utensile, specialmente a seconda di che tipo di pezzo venga lavorato.

⚠AVVERTIMENTO: Accertarsi di identificare misure di sicurezza per la protezione dell'operatore che siano basate su una stima dell'esposizione nelle condizioni effettive di utilizzo (tenendo conto di tutte le parti del ciclo operativo, ad esempio del numero di spegnimenti dell'utensile e di quando giri a vuoto, oltre al tempo di attivazione).

Dichiarazione di conformità CE

Solo per i paesi europei

La dichiarazione di conformità CE è inclusa nell'Allegato A al presente manuale di istruzioni.

AVVERTENZE DI SICUREZZA

Istruzioni di sicurezza relative al soffiatore a batteria

⚠AVVERTIMENTO: Leggere tutte le avvertenze relative alla sicurezza e tutte le istruzioni. La mancata osservanza delle avvertenze e delle istruzioni può risultare in scosse elettriche, incendi e/o gravi lesioni personali.

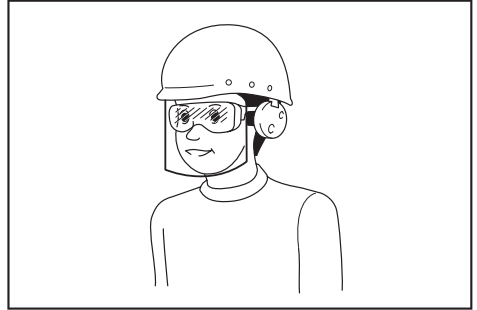
Conservare tutte le avvertenze e le istruzioni come riferimento futuro.

Addestramento

1. Leggere con attenzione le istruzioni. Familiarizzare con i controlli e con l'utilizzo corretto del soffiatore.
2. Non consentire mai l'utilizzo del soffiatore a bambini, persone con capacità fisiche, sensoriali o mentali ridotte, o con carenza di esperienza e preparazione, né a persone che non abbiano familiarità con le presenti istruzioni. Le normative locali potrebbero limitare l'età dell'operatore.
3. Non utilizzare mai il soffiatore in presenza di persone, specialmente bambini, o animali domestici nelle vicinanze.
4. Tenere a mente che l'operatore o l'utente è responsabile per eventuali incidenti o pericoli che si verifichino nei confronti di altre persone o delle loro proprietà.

Preparazione

1. **Indossare sempre calzature robuste e pantaloni lunghi durante l'utilizzo del soffiatore.**
2. **Non indossare indumenti abbondanti o gioielli che potrebbero venire attirati nella presa d'aria. Tenere lontani i capelli lunghi dalle prese d'aria.**
3. **Indossare sempre occhiali protettivi per proteggere gli occhi da lesioni personali, quando si utilizzano utensili elettrici. Gli occhiali devono essere conformi allo standard ANSI Z87.1 negli Stati Uniti, allo standard EN 166 in Europa o allo standard AS/NZS 1336 in Australia/Nuova Zelanda. In Australia/Nuova Zelanda, è obbligatorio per legge indossare anche una visiera per proteggere il volto.**



È responsabilità del datore di lavoro far rispettare l'utilizzo delle attrezzature protettive di sicurezza appropriate da parte degli operatori degli utensili e di altre persone nell'area di lavoro e nelle immediate vicinanze.

4. **Per evitare l'irritazione dovuta alle polveri, si consiglia di indossare una visiera.**
5. **Durante l'uso della macchina, indossare sempre calzature antiscivolo e protettive. Stivali e scarpe protettivi antiscivolo a punta chiusa riducono il rischio di lesioni personali.**
6. **Utilizzare attrezzature di protezione personale. Indossare sempre occhiali di protezione.** Attrezzature di protezione quali maschere anti-polvere, scarpe di sicurezza antiscivolo, elmetti o protezioni per le orecchie utilizzati per le condizioni appropriate riducono le lesioni personali.
7. **Prima di utilizzare la macchina, ispezionare il cavo elettrico. Qualora il cavo elettrico sia danneggiato, rivolgersi ai centri di assistenza autorizzati Makita per le riparazioni.**

Funzionamento

1. **Spegnere il soffiatore e rimuovere la batteria, quindi accertarsi che tutte le parti mobili si siano arrestate completamente**
 - ogni volta che si lascia il soffiatore;
 - prima di pulire ostruzioni;
 - prima di controllare, pulire o lavorare sul soffiatore;
 - qualora il soffiatore inizi a vibrare in modo anomalo.
2. **Far funzionare il soffiatore esclusivamente di giorno o con una buona illuminazione artificiale.**

3. Non sporgersi, e mantenere un equilibrio e una posizione sui piedi corretti in qualsiasi momento.
 4. Accertarsi sempre di mantenere i piedi appoggiati saldamente sui pendii.
 5. Camminare, non correre mai.
 6. Mantenere tutte le prese d'aria di raffreddamento prive di detriti.
 7. Non soffiare mai i detriti in direzione degli astanti.
 8. Far funzionare il soffiatore in una posizione consigliata e su una superficie calda.
 9. Non far funzionare il soffiatore in ubicazioni elevate.
 10. Non puntare mai la bocchetta verso alcuna persona nelle vicinanze, quando si utilizza il soffiatore.
 11. Non ostruire mai l'apertura di aspirazione e/o l'apertura di uscita del soffiatore.
 - Fare attenzione a non ostruire l'apertura di aspirazione e l'apertura di uscita del soffiatore con polveri o sporco, quando si lavora in un'area polverosa.
 - Non utilizzare bocchette diverse da quelle fornite da Makita.
 - Non utilizzare il soffiatore per gonfiare palloni, gommoni o simili.
 12. Non far funzionare il soffiatore in prossimità di finestre aperte, e così via.
 13. Si consiglia di utilizzare il soffiatore solo in orari ragionevoli, non la mattina presto o la sera tardi, quando si potrebbe arrecare disturbo alle persone.
 14. Si consiglia di utilizzare rastrelli e scope per staccare i detriti prima di soffiarli via.
 15. Qualora il soffiatore colpisca corpi estranei o inizi a produrre rumori o vibrazioni anomali, spegnere immediatamente il soffiatore per arrestarlo. Rimuovere la batteria dal soffiatore e ispezionare quest'ultimo alla ricerca di eventuali danni, prima di riavviare e utilizzare il soffiatore. Qualora il soffiatore sia danneggiato, rivolgersi ai centri di assistenza autorizzati Makita per le riparazioni.
 16. Non inserire le dita o altri oggetti nell'apertura di aspirazione o nell'apertura di uscita del soffiatore.
 17. Evitare l'avvio accidentale. Accertarsi che l'interruttore sia nella posizione di spegnimento, prima di inserire la batteria e di sollevare o trasportare il soffiatore. Qualora si trasporti il soffiatore con il dito sull'interruttore o si eroghi l'alimentazione elettrica al soffiatore con l'interruttore attivato, si favoriscono gli incidenti.
 18. Non soffiare mai materiali pericolosi, quali chiodi, frammenti di vetro o lame.
 19. Non far funzionare il soffiatore in prossimità di materiali infiammabili.
 20. Evitare di far funzionare il soffiatore per un periodo di tempo prolungato in un ambiente a bassa temperatura.
 21. Non utilizzare la macchina quando sussiste il rischio di fulmini.
 22. Quando si utilizza la macchina su suolo fangoso, pendii bagnati o ubicazioni scivolose, fare attenzione al proprio appoggio sui piedi.
 23. Evitare di lavorare in un ambiente inadeguato in cui si preveda un maggiore affaticamento per l'utente.
 24. Non utilizzare la macchina in condizioni di tempo avverso in cui la visibilità sia limitata. La mancata osservanza di questa indicazione potrebbe causare cadute o funzionamento errato a causa della scarsa visibilità.
 25. Non immergere la macchina in una pozzanghera.
 26. Quando foglie bagnate o sporco aderiscono alla bocca di aspirazione (finestrella di ventilazione) a causa della pioggia, rimuoverle.
- Manutenzione e conservazione**
1. Tenere tutti i dadi, i bulloni e le viti serrati, per accertarsi che il soffiatore sia in condizioni operative sicure.
 2. Qualora i pezzi siano usurati o danneggiati, sostituirli con pezzi di ricambio forniti da Makita.
 3. Conservare il soffiatore in un luogo asciutto fuori dalla portata dei bambini.
 4. Quando si arresta il soffiatore per sottoporlo a ispezione o assistenza, per conservarlo o per sostituire gli accessori, spegnere il soffiatore e accertarsi che tutte le parti mobili si siano arrestate completamente, quindi rimuovere la batteria. Prima di effettuare qualsiasi lavoro sul soffiatore, farlo raffreddare. Sottoporre a manutenzione il soffiatore con cura e mantenerlo pulito.
 5. Far sempre raffreddare il soffiatore prima di conservarlo.
 6. Non esporre il soffiatore alla pioggia. Conservare il soffiatore al chiuso.
 7. Quando si solleva il soffiatore, accertarsi di piegare le ginocchia e fare attenzione a non farsi male alla schiena.
 8. Non lasciare la macchina incustodita all'aperto sotto la pioggia.
 9. Non lavare la macchina con acqua ad alta pressione.
 10. Quando si intende riporre la macchina, evitare la luce solare diretta e la pioggia, e riporla in un'ubicazione in cui non sia soggetta a temperature estremamente elevate o umidità.
 11. Effettuare l'ispezione e la manutenzione in un'ubicazione in cui si possa evitare la pioggia.
 12. Dopo aver utilizzato la macchina, rimuovere lo sporco rimasto attaccato e far asciugare completamente la macchina prima di riporla. A seconda della stagione o della zona, sussiste il rischio di malfunzionamento dovuto a congelamento.
 13. Non sollevare né trasportare la macchina afferrando solo il cavo elettrico.
- Uso e manutenzione degli strumenti a batterie**
1. Ricaricare solo con il caricabatterie specificato dal produttore. Un caricabatterie appropriato per un tipo di batteria potrebbe creare un rischio di incendio, se utilizzato con un'altra batteria.

2. **Utilizzare gli utensili elettrici solo con le batterie specificamente designate.** L'uso di qualsiasi altra batteria potrebbe creare un rischio di lesioni personali e incendi.
3. **Quando la batteria non è in uso, tenerla lontana da altri oggetti metallici, quali graffette, monete, chiavi, chiodi, viti o altri piccoli oggetti metallici, che potrebbero fare contatto tra terminali diversi.** Il cortocircuito dei terminali della batteria può causare ustioni o incendi.
4. **In condizioni di uso improprio, la batteria potrebbe emettere un liquido: evitare il contatto con tale liquido. Qualora si verifichi un contatto accidentale con il liquido, lavare abbondantemente con acqua. Qualora il liquido entri in contatto con gli occhi, richiedere anche assistenza medica.** Il liquido espulso dalla batteria può causare irritazioni o ustioni.
5. **Non utilizzare una batteria o un utensile che siano danneggiati o che siano stati modificati.** Batterie danneggiate o modificate potrebbero mostrare un comportamento imprevedibile che può risultare in incendi, esplosioni o nel rischio di lesioni personali.
6. **Non esporre una batteria o un utensile al fuoco o a temperature eccessive.** L'esposizione al fuoco o a temperature superiori ai 130 °C potrebbe causare un'esplosione.
7. **Attenersi a tutte le istruzioni relative alla carica e non caricare la batteria o l'utensile al di fuori della gamma di temperature specificata nelle istruzioni.** Una carica inappropriata o a temperature al di fuori della gamma specificata potrebbe danneggiare la batteria e incrementare il rischio di incendio.

Sicurezza elettrica e della batteria

1. **Non smaltire le batterie nel fuoco.** La cella potrebbe esplodere. Controllare le normative locali per eventuali istruzioni speciali relative allo smaltimento.
2. **Non aprire né fare a pezzi le batterie.** L'elettrolita rilasciato è corrosivo, e potrebbe causare danni agli occhi o alla pelle. Inoltre, potrebbe essere tossico, se inghiottito.
3. **Non caricare la batteria sotto la pioggia o in condizioni di bagnato.**
4. **Non caricare la batteria all'aperto.**
5. **Non maneggiare con le mani bagnate i caricabatterie, inclusa la spina del caricabatterie e i terminali di quest'ultimo.**
6. **Non sostituire la batteria sotto la pioggia.**
7. **Non far bagnare i terminali della batteria con liquidi, ad esempio con acqua, né sommergere la batteria. Non lasciare la batteria sotto la pioggia e non caricarla, utilizzarla o riporla in un'ubicazione umida o bagnata.** Qualora i terminali si bagnino o del liquido penetri all'interno della batteria, quest'ultima potrebbe venire cortocircuitata, e sussiste il rischio di surriscaldamento, incendio o esplosione.
8. **Dopo aver rimosso la batteria dalla macchina o dai caricabatterie, accertarsi di applicare il cappuccio della batteria su quest'ultima e di riporre la batteria in un'ubicazione asciutta.**
9. **Non sostituire la batteria con le mani bagnate.**

10. **Qualora la batteria si bagni, far fuoriuscire tutta l'acqua dall'interno, quindi pulirla con un panno asciutto. Far asciugare completamente la batteria in un luogo asciutto, prima dell'uso.**

Assistenza tecnica

1. **Per l'assistenza tecnica relativa all'utensile elettrico, rivolgersi a un riparatore qualificato che utilizzi solo pezzi di ricambio identici.** In tal modo, si garantisce che la sicurezza dell'utensile elettrico venga preservata.
2. **Non effettuare mai interventi di assistenza su batterie danneggiate.** Gli interventi di assistenza relativi alle batterie vanno effettuati esclusivamente dal produttore o da centri di assistenza autorizzati.

CONSERVARE LE PRESENTI ISTRUZIONI.

⚠AVVERTIMENTO: NON lasciare che la comodità o la familiarità d'uso con il prodotto (acquisita con l'uso ripetuto) sostituiscano la stretta osservanza delle norme di sicurezza.

L'USO IMPROPRIO o la mancata osservanza delle norme di sicurezza riportate nel presente manuale di istruzioni potrebbero causare lesioni personali gravi.

Istruzioni di sicurezza importanti per la cartuccia della batteria

1. **Prima di utilizzare la cartuccia della batteria, leggere tutte le istruzioni e le avvertenze riportate (1) sul caricabatteria, (2) sulla batteria e (3) sul prodotto che utilizza la batteria.**
2. **Non smantellare né manomettere la cartuccia della batteria.** In caso contrario, si potrebbe causare un incendio, calore eccessivo o un'esplosione.
3. **Qualora il tempo di utilizzo si riduca eccessivamente, interrompere immediatamente l'utilizzo dell'utensile.** In caso contrario, si può incorrere nel rischio di surriscaldamento, possibili ustioni e persino un'esplosione.
4. **Qualora l'elettrolita entri in contatto con gli occhi, sciacquarli con acqua pulita e richiedere immediatamente assistenza medica.** Questa eventualità può risultare nella perdita della vista.
5. **Non cortocircuitare la cartuccia della batteria:**
 - (1) **Non toccare i terminali con alcun materiale conduttivo.**
 - (2) **Evitare di conservare la cartuccia della batteria in un contenitore insieme ad altri oggetti metallici quali chiodi, monete, e così via.**
 - (3) **Non esporre la cartuccia della batteria all'acqua o alla pioggia.**

Un cortocircuito della batteria può causare un grande flusso di corrente, un surriscaldamento, possibili ustioni e persino un guasto.
6. **Non conservare e utilizzare l'utensile e la cartuccia della batteria in ubicazioni in cui la temperatura possa raggiungere o superare i 50°C.**

7. **Non incenerire la cartuccia della batteria anche qualora sia gravemente danneggiata o completamente esaurita. La cartuccia della batteria può esplodere se a contatto con il fuoco.**
8. **Non inchiodare, tagliare, schiacciare, lanciare o far cadere la cartuccia della batteria, né farla urtare con forza contro un oggetto duro.** Questi comportamenti potrebbero risultare in un incendio, calore eccessivo o un'esplosione.
9. **Non utilizzare una batteria danneggiata.**
10. **Le batterie a ioni di litio contenute sono soggette ai requisiti del regolamento sul trasporto di merci pericolose (Dangerous Goods Legislation).** Per trasporti commerciali, ad esempio da parte di terzi o spedizionieri, è necessario osservare dei requisiti speciali sull'imballaggio e sull'etichetta. Per la preparazione dell'articolo da spedire, è richiesta la consulenza di un esperto in materiali pericolosi. Attenersi anche alle normative nazionali, che potrebbero essere più dettagliate. Nasstrare o coprire i contatti aperti e imballare la batteria in modo tale che non si possa muovere liberamente all'interno dell'imballaggio.
11. **Quando si intende smaltire la cartuccia della batteria, rimuoverla dall'utensile e smaltirla in un luogo sicuro. Attenersi alle normative locali relative allo smaltimento della batteria.**
12. **Utilizzare le batterie esclusivamente con i prodotti specificati da Makita.** L'installazione delle batterie in prodotti non compatibili potrebbe risultare in incendi, calore eccessivo, esplosioni o perdite di liquido elettrolitico.
13. **Se l'utensile non viene utilizzato per un periodo di tempo prolungato, la batteria deve essere rimossa dall'utensile.**
14. **Durante e dopo l'uso, la cartuccia della batteria potrebbe assorbire calore, che può causare ustioni o ustioni a bassa temperatura. Fare attenzione a come si maneggiano le cartucce delle batterie estremamente calde.**
15. **Non toccare i terminali dell'utensile subito dopo l'uso, in quanto potrebbero diventare estremamente caldi al punto da causare ustioni.**
16. **Evitare di far incastrare schegge, polveri o terreno nei terminali, nei fori e nelle scanalature della cartuccia della batteria.** In caso contrario, si potrebbero causare prestazioni scadenti o la rottura dell'utensile o della cartuccia della batteria.
17. **A meno che l'utensile supporti l'uso in prossimità di linee elettriche ad alta tensione, non utilizzare la cartuccia della batteria in prossimità di linee elettriche ad alta tensione.** In caso contrario, si potrebbe causare un malfunzionamento o la rottura dell'utensile o della cartuccia della batteria.
18. **Tenere la batteria lontana dai bambini.**

CONSERVARE LE PRESENTI ISTRUZIONI.

⚠ATTENZIONE: Utilizzare solo batterie originali Makita. L'utilizzo di batterie Makita non originali, o di batterie che siano state alterate, potrebbe risultare nello scoppio della batteria, causando incendi, lesioni personali e danni. Inoltre, ciò potrebbe invalidare la garanzia Makita per l'utensile e il caricabatterie Makita.

Suggerimenti per preservare la durata massima della batteria

1. **Caricare la cartuccia della batteria prima che si scarichi completamente. Smettere sempre di utilizzare l'utensile e caricare la cartuccia della batteria quando si nota che la potenza dell'utensile è diminuita.**
2. **Non ricaricare mai una cartuccia della batteria completamente carica. La sovraccarica riduce la vita utile della batteria.**
3. **Caricare la cartuccia della batteria a una temperatura ambiente compresa tra 10°C e 40°C. Lasciar raffreddare una cartuccia della batteria prima di caricarla.**
4. **Quando non si utilizza la cartuccia della batteria, rimuoverla dall'utensile o dal caricabatterie.**
5. **Caricare la cartuccia della batteria se non la si è utilizzata per un periodo di tempo prolungato (più di sei mesi).**

MONTAGGIO

⚠ATTENZIONE: Accertarsi sempre che la macchina sia spenta e il gruppo di alimentazione portatile sia stato scollegato dalla macchina, prima di effettuare qualsiasi lavoro su quest'ultima.

Installazione della bocchetta finale

Allineare il simbolo del triangolo sulla bocchetta finale con il simbolo del triangolo sul tubo anteriore, quindi montare la bocchetta finale sul tubo anteriore, e infine ruotare la bocchetta finale per bloccarla in sede. Installare la bocchetta finale in modo che la punta della bocchetta sia rivolta verso il basso. A seconda dell'ambiente di lavoro, è possibile installare la bocchetta finale in modo che la punta della bocchetta sia rivolta verso l'alto.

► **Fig.1:** 1. Simbolo del triangolo 2. Bocchetta finale 3. Tubo anteriore

Per rimuovere la bocchetta finale, eseguire la procedura di installazione al contrario.

NOTA: È possibile modificare la lunghezza della bocchetta spostandola come indicato nella figura.

► **Fig.2:** 1. Bocchetta finale 2. Tubo anteriore

Installazione della bocchetta piatta o della bocchetta di prolunga

Accessorio opzionale

1. Allineare la scanalatura sul tubo adattatore con la sporgenza sul tubo anteriore, quindi montare il tubo adattatore sul tubo anteriore, e infine ruotarlo per bloccarlo in sede.

► **Fig.3:** 1. Tubo adattatore 2. Tubo anteriore

2. Allineare la scanalatura sulla bocchetta piatta o sulla bocchetta di prolunga con la sporgenza sul tubo adattatore, quindi montare la bocchetta piatta o la bocchetta di prolunga sul tubo adattatore, e infine ruotarla per bloccarla in sede.

► **Fig.4:** 1. Bocchetta piatta 2. Bocchetta di prolunga 3. Tubo adattatore

Installazione del kit bocchetta per grondaie

Accessorio opzionale

1. Allineare la scanalatura sul tubo adattatore con la sporgenza sul tubo anteriore, quindi montare il tubo adattatore sul tubo anteriore, e infine ruotarlo per bloccarlo in sede.

Inserire il tubo adattatore fino in fondo, in modo che la sporgenza entri nella scanalatura più profonda sul tubo adattatore.

► **Fig.5:** 1. Vite 2. Fascetta stringitubo 3. Tubo adattatore 4. Tubo anteriore

2. Allentare le viti sulle fascette stringitubo e far passare la fascetta stringitubo grande lungo il tubo adattatore, quindi far passare la fascetta stringitubo piccola.

3. Collegare il tubo di prolunga al tubo adattatore.

Allineare la scanalatura sul tubo di prolunga con la sporgenza sul tubo adattatore, quindi far scorrere il tubo di prolunga lungo la sua scanalatura in modo che i simboli dei triangoli si trovino l'uno di fronte all'altro.

► **Fig.6:** 1. Tubo di prolunga 2. Tubo adattatore

4. Posizionare le fascette stringitubo sulle scanalature come indicato nella figura, quindi serrare le viti.

► **Fig.7:** 1. Vite 2. Fascetta stringitubo

5. In base all'altezza di lavoro, collegare i tubi di prolunga restanti al tubo di prolunga che è già stato montato.

⚠ATTENZIONE: Non montare il tubo di prolunga qualora la lunghezza complessiva, compreso il corpo del soffiatore, superi i 4 m.

6. Ruotare la presa di uscita della bocchetta finale come indicato nella figura.

► **Fig.8**

7. Collegare la bocchetta finale al tubo di prolunga. Quando si intende eseguire il collegamento, allineare il simbolo del triangolo sulla bocchetta finale e sul tubo di prolunga, quindi premere la bocchetta finale fino a sentire uno scatto. Dopodiché, ruotare la bocchetta finale in una posizione idonea al proprio lavoro.

► **Fig.9:** 1. Bocchetta finale 2. Tubo di prolunga 3. Simbolo del triangolo

Quando si intende rimuovere la bocchetta finale, allineare i simboli dei triangoli sulla bocchetta finale e sul tubo di prolunga, quindi estrarre la bocchetta finale dal tubo di prolunga.

► **Fig.10:** 1. Bocchetta finale 2. Tubo di prolunga 3. Simbolo del triangolo

DESCRIZIONE DELLE FUNZIONI

⚠ATTENZIONE: Accertarsi sempre che la macchina sia spenta e il gruppo di alimentazione portatile sia stato scollegato dalla macchina, prima di regolare o controllare il funzionamento della macchina.

Sistema di protezione della macchina e della batteria

La macchina è dotata di un sistema di protezione della macchina stessa e della batteria. Questo sistema interrompe automaticamente l'alimentazione al motore per prolungare la vita utile della macchina e delle batterie. La macchina si arresta automaticamente durante il funzionamento, qualora la macchina o una batteria vengano a trovarsi in una delle condizioni seguenti:

Protezione dal sovraccarico

Quando la macchina o la batteria vengono fatte funzionare in modo da causare un assorbimento di corrente elevato in modo anomalo, la macchina si arresta automaticamente e l'indicatore luminoso di accensione principale della macchina lampeggia in verde. In questa circostanza, spegnere la macchina e interrompere l'applicazione che ha causato il sovraccarico della macchina. Quindi, accendere la macchina per ricominciare.

Protezione dal surriscaldamento

Quando la macchina o la batteria sono surriscaldate, la macchina si arresta automaticamente. Quando la macchina è surriscaldata, l'indicatore luminoso di accensione principale della macchina si illumina in rosso. Quando la batteria è surriscaldata, l'indicatore luminoso di accensione principale della macchina lampeggia in rosso. Lasciar raffreddare la macchina e la batteria prima di riaccendere la macchina.

Protezione dalla sovrascarica

Quando la carica delle batterie non è sufficiente, la macchina si arresta automaticamente, e l'indicatore luminoso di accensione principale della macchina lampeggia in rosso. In questo caso, rimuovere la batteria dalla macchina e caricare la batteria o sostituirla con una completamente carica.

Interruttore di accensione principale

⚠AVVERTIMENTO: Disattivare sempre l'interruttore di accensione principale quando l'utensile non è in uso.

Per accendere la macchina, premere l'interruttore di accensione principale. L'indicatore luminoso di accensione principale si illumina in verde. Per spegnerla, premere di nuovo l'interruttore di accensione principale.

► **Fig.11:** 1. Indicatore luminoso di accensione principale 2. Interruttore di accensione principale

NOTA: Questa macchina utilizza una funzione di spegnimento automatico. Per evitare l'avvio accidentale, l'interruttore di accensione principale si disattiva automaticamente quando l'interruttore a grilletto non viene premuto per un determinato periodo di tempo, dopo che l'interruttore di accensione principale è stato attivato.

NOTA: Se si preme l'interruttore di accensione principale quando la leva di controllo non è stata riportata completamente sulla posizione di spegnimento, oppure mentre si sta premendo l'interruttore a grilletto, l'indicatore luminoso di accensione principale lampeggia in verde. In questo caso, riportare completamente la leva di controllo sulla posizione di spegnimento, oppure rilasciare l'interruttore a grilletto, quindi premere l'interruttore di accensione principale.

Funzionamento dell'interruttore

AVVERTIMENTO: Prima di collegare il gruppo di alimentazione portatile alla macchina, controllare sempre che l'interruttore a grilletto funzioni correttamente e torni sulla posizione di spegnimento quando viene rilasciato.

Per avviare la macchina, premere l'interruttore a grilletto. La velocità della macchina aumenta incrementando la pressione sull'interruttore a grilletto. Rilasciare l'interruttore a grilletto per arrestare la macchina.

► Fig.12: 1. Interruttore a grilletto

È possibile utilizzare la macchina in modalità Potenziamento. In modalità Potenziamento, il volume d'aria aumenta rispetto alla modalità normale. Per utilizzare la macchina in modalità Potenziamento, premere l'interruttore a grilletto fino a quando si arresta nella posizione a metà corsa, quindi premere a fondo l'interruttore a grilletto.

► Fig.13: 1. Interruttore a grilletto

NOTA: A seconda delle condizioni d'uso, l'utilizzo della modalità Potenziamento viene limitato per proteggere la macchina. Qualora l'indicatore luminoso di accensione principale della macchina lampeggi in verde quando si preme a fondo l'interruttore a grilletto o mentre si sta utilizzando la macchina in modalità Potenziamento, quest'ultima non è disponibile.

NOTA: La modalità Potenziamento non è disponibile mediante la rotazione della leva di controllo.

Funzione di regolatore automatico della velocità

La funzione del regolatore automatico della velocità consente all'operatore di mantenere una velocità costante senza dover tenere premuto il grilletto. Per incrementare la velocità, ruotare la leva di controllo in avanti. Per ridurre la velocità, ruotare la leva di controllo all'indietro.

► Fig.14: 1. Leva di controllo

Funzione di prevenzione del riavvio accidentale

Anche se si collega il gruppo di alimentazione portatile alla macchina mentre si tiene premuto l'interruttore a grilletto, la macchina non si avvia. Per avviare la macchina, innanzitutto rilasciare l'interruttore a grilletto e riportare la leva di controllo completamente sulla posizione iniziale, quindi premere l'interruttore a grilletto.

FUNZIONAMENTO

Collegamento del gruppo di alimentazione portatile

ATTENZIONE: Quando si utilizza la macchina in combinazione con un alimentatore di tipo a zaino, ad esempio un gruppo di alimentazione portatile, utilizzare la fascia di sospensione inclusa nella confezione della macchina o la fascia di sospensione consigliata da Makita.

Qualora si indossino contemporaneamente un'imbracatura non consigliata da Makita e l'imbracatura di un alimentatore di tipo a zaino, la rimozione della macchina o dell'alimentatore di tipo a zaino risulta difficoltosa, in caso di emergenza, e potrebbe causare un incidente o lesioni personali. Per informazioni sulla fascia di sospensione consigliata, rivolgersi ai centri di assistenza autorizzati Makita.

ATTENZIONE: Prima dell'uso, accertarsi che la fibbia sulla cintura sia bloccata e che la macchina sia fissata saldamente al gancio della fascia di sospensione.

ATTENZIONE: Per evitare l'avvio accidentale, accertarsi che la macchina e il gruppo di alimentazione portatile siano spenti, prima di iniziare questa procedura.

ATTENZIONE: Prima di eseguire questa procedura, completare le regolazioni della cintura e dell'imbracatura. Per i dettagli, fare riferimento al manuale d'uso del gruppo di alimentazione portatile.

Per il modello PDC1200

ATTENZIONE: Quando si intende rimuovere la batteria, premere il pulsante di blocco mentre si mantiene saldamente la maniglia. Prima di rimuovere la batteria, impostare la cintura sulla posizione più bassa.

► Fig.15: 1. Maniglia 2. Pulsante di blocco

ATTENZIONE: Quando si monta la batteria, fare attenzione a non far restare incastrate le dita o i pollici tra la batteria e la piastra di base.

ATTENZIONE: Accertarsi che la batteria sia fissata saldamente alla piastra di base. In caso contrario, la batteria potrebbe cadere quando si indossa o si utilizza l'unità, e causare lesioni personali. Se è possibile vedere l'indicatore rosso come indicato nella figura, la batteria non è bloccata completamente.

► Fig.16: 1. Indicatore rosso

Per il modello PDC01

NOTA: Prima di eseguire questa procedura, installare la cartuccia della batteria o le cartucce delle batterie nel gruppo di alimentazione portatile. Per i dettagli, fare riferimento al manuale d'uso del gruppo di alimentazione portatile.

1. Estrarre il cavo elettrico dal lato sinistro o dal lato destro della batteria.

Per il modello PDC1200

Rimuovere la batteria dalla piastra di base, quindi estrarre il cavo elettrico dal lato sinistro o dal lato destro della batteria, infine montare la batteria sulla piastra di base. Quando si estrae il cavo elettrico, accertarsi di inserire il cavo elettrico nei supporti, come indicato nella figura.

► **Fig.17:** 1. Cavo elettrico 2. Supporto

Per il modello PDC01

Quando si estrae il cavo elettrico, accertarsi di inserire il cavo elettrico nei supporti, come indicato nella figura.

► **Fig.18:** 1. Cavo elettrico 2. Supporto

2. Fissare il cavo elettrico ai portacavi.

► **Fig.19:** 1. Portacavo

3. Fissare i ganci della fascia di sospensione agli anelli dell'imbracatura e della cintura.

► **Fig.20:** 1. Anello 2. Gancio

4. Premere il pulsante di accensione sul gruppo di alimentazione portatile. L'indicatore luminoso di accensione principale si illumina.

Per il modello PDC1200

► **Fig.21:** 1. Pulsante di accensione 2. Indicatore luminoso di accensione principale

Per il modello PDC01

► **Fig.22:** 1. Pulsante di accensione 2. Indicatore luminoso di accensione principale

5. Indossare l'imbracatura del gruppo di alimentazione portatile e bloccare la fibbia sulla cintura.

► **Fig.23**

6. Agganciare l'imbracatura alla macchina utilizzando il gancio sulla fascia di sospensione. Accertarsi di agganciare l'anello di aggancio della macchina.

► **Fig.24:** 1. Gancio 2. Anello di aggancio

Regolare la lunghezza della fascia di sospensione a seconda delle esigenze.

► **Fig.25**

7. Inserire lo spinotto della macchina nella presa del gruppo di alimentazione portatile.

Durante l'inserimento, allineare il simbolo del triangolo sia sullo spinotto che sulla presa.

► **Fig.26:** 1. Spinotto 2. Presa 3. Simbolo del triangolo

8. Per accendere la macchina, premere l'interruttore di accensione principale.

La macchina è pronta all'uso. La macchina entra in funzione quando si preme l'interruttore a grilletto.

► **Fig.27:** 1. Interruttore di accensione principale

NOTA: È anche possibile utilizzare la fascia di sospensione come indicato nella figura.

► **Fig.28**

Regolare la lunghezza della fascia di sospensione a seconda delle esigenze.

► **Fig.29**

Utilizzo del soffiatore

ATTENZIONE: Non appoggiare a terra la macchina mentre è accesa. Sabbia o polveri potrebbero penetrare dall'apertura di aspirazione e causare un malfunzionamento o lesioni personali.

Mantenere saldamente la macchina con una mano ed eseguire la funzione di soffiatura spostandola lentamente nell'area circostante. Quando si intende eseguire la soffiatura intorno a edifici, grosse pietre o veicoli, indirizzare la bocchetta lontano da tali oggetti. Quando si intende eseguire un'operazione in un angolo, iniziare dall'angolo, quindi spostarsi nell'area aperta.

► **Fig.30**

Quando si intende appoggiare a terra la macchina, sbloccare la fibbia sulla fascia di sospensione con una mano mentre si mantiene la macchina con l'altra mano.

► **Fig.31:** 1. Fibbia

► **Fig.32:** 1. Fibbia

Quando si intende appoggiare a terra la macchina e il gruppo di alimentazione portatile allo stesso tempo, sbloccare la fibbia sulla cintura, quindi appoggiare a terra la macchina e il gruppo di alimentazione portatile.

► **Fig.33:** 1. Fibbia

NOTA: Quando si intende sbloccare la fibbia, premere i ganci della fibbia su entrambi i lati. Quando si intende bloccare la fibbia, inserire i ganci fino a quando si bloccano.

► **Fig.34:** 1. Gancio

Uso del kit bocchetta per grondaie

ATTENZIONE: Quando si intende utilizzare il kit bocchetta per grondaie, non utilizzare la macchina in modalità **Potenziamento**. In caso contrario, si potrebbe perdere l'equilibrio e causare un incidente, poiché il volume dell'aria aumenta in modalità **Potenziamento**.

ATTENZIONE: Quando si utilizza il kit bocchetta per grondaie, non mantenere il soffiatore con una sola mano, ma con entrambe le mani.

► **Fig.35**

ATTENZIONE: Non utilizzare il kit bocchetta per grondaie in prossimità di cavi elettrici.

► **Fig.36**

ATTENZIONE: Non utilizzare il kit bocchetta per grondaie in giornate ventose.

► **Fig.37**

ATTENZIONE: Quando si utilizza il kit bocchetta per grondaie, tenere altre persone o animali a più di 15 metri di distanza dal soffiatore.

► **Fig.38**

Mantenere il soffiatore in posizione verticale afferrando la maniglia del soffiatore. Posizionare l'apertura di uscita del soffiatore sulla grondaia, quindi accendere il soffiatore.

► **Fig.39**

MANUTENZIONE

⚠ATTENZIONE: Accertarsi sempre che la macchina sia spenta e il gruppo di alimentazione portatile sia stato scollegato dalla macchina, prima di tentare di eseguire interventi di ispezione o manutenzione.

Per preservare la SICUREZZA e l’AFFIDABILITÀ del prodotto, le riparazioni e qualsiasi altro intervento di manutenzione e di regolazione devono essere eseguiti da un centro di assistenza autorizzato Makita, utilizzando sempre ricambi Makita.

Pulizia della macchina

Pulire la macchina rimuovendo le polveri con un panno asciutto o con uno bagnato in acqua saponata e strizzato.
► Fig.40

AVVISO: Non utilizzare mai benzina, benzene, solventi, alcol o altre sostanze simili. In caso contrario, si potrebbero causare scolorimenti, deformazioni o crepe.

Rimuovere le polveri o lo sporco dall’apertura di aspirazione sul retro della macchina.

► Fig.41: 1. Apertura di aspirazione

Conservazione

Prima di conservare la macchina, scollegare il gruppo di alimentazione portatile dalla macchina ed eseguire una manutenzione completa. Conservare la macchina in un’ubicazione fuori dalla portata dei bambini e non esposta a umidità, pioggia o luce solare diretta.

Il foro per il gancio nella parte inferiore della macchina è comodo per appendere quest’ultima a un chiodo o a una vite sul muro.

► Fig.42: 1. Foro

RISOLUZIONE DEI PROBLEMI

Prima di richiedere riparazioni, eseguire un’ispezione personalmente. Qualora si rilevi un problema che non sia illustrato nel manuale, non tentare di smontare la macchina. Rivolgersi, invece, ai centri di assistenza autorizzati Makita, utilizzando sempre pezzi di ricambio Makita per le riparazioni.

Stato di anomalia	Causa probabile (guasto)	Azione correttiva
Il motore non funziona.	La batteria non è installata.	Installare la batteria.
	Problema della batteria (sotto tensione)	Ricaricare la batteria. Qualora la ricarica non sia efficace, sostituire la batteria.
	Il sistema di trasmissione non funziona correttamente.	Richiedere la riparazione a un centro di assistenza autorizzato locale.
Il motore si arresta dopo un breve utilizzo.	Il livello di carica della batteria è basso.	Ricaricare la batteria. Qualora la ricarica non sia efficace, sostituire la batteria.
	Surriscaldamento.	Interrompere l’utilizzo della macchina per consentirle di raffreddarsi.
La macchina non raggiunge la velocità massima.	La batteria non è installata correttamente.	Installare la batteria come descritto nel presente manuale.
	La carica della batteria si sta esaurendo.	Ricaricare la batteria. Qualora la ricarica non abbia effetto, sostituire la batteria.
	Il sistema di trasmissione non funziona correttamente.	Richiedere la riparazione a un centro di assistenza autorizzato locale.
Vibrazione anomala: ⇒ arrestare immediatamente la macchina!	Il sistema di trasmissione non funziona correttamente.	Richiedere la riparazione a un centro di assistenza autorizzato locale.
Non si riesce ad arrestare il motore: ⇒ rimuovere immediatamente la batteria!	Malfunzionamento elettrico o elettronico.	Rimuovere la batteria e richiedere la riparazione a un centro di assistenza autorizzato locale.

ACCESSORI OPZIONALI

⚠ATTENZIONE: Questi accessori o componenti aggiuntivi sono consigliati per l’uso con il prodotto Makita specificato nel presente manuale. L’utilizzo di qualsiasi altro accessorio o componente aggiuntivo potrebbe presentare il rischio di lesioni alle persone. Utilizzare un accessorio o un componente aggiuntivo solo per lo scopo a cui è destinato.

Per ottenere ulteriori dettagli relativamente a questi accessori, rivolgersi a un centro di assistenza Makita.

- Tubo adattatore
- Bocchetta di prolunga
- Bocchetta piatta
- Kit bocchetta per grondaia
- Gruppo fascia
- Batteria e caricabatterie originali Makita

NOTA: Alcuni articoli nell’elenco potrebbero essere inclusi in dotazione nella confezione dell’utensile come accessori di serie. Tali articoli possono variare da una nazione all’altra.

TECHNISCHE GEGEVENS

Model:		UB001C
Capaciteiten	Luchtvolume	0 - 17,6 m ³ /min
	Luchtsnelheid (gemiddeld)	0 - 58,0 m/s
	Luchtsnelheid (maximaal)	0 - 70,0 m/s
Totale lengte (met eindmondstuk)		960 mm / 1.010 mm / 1.060 mm
Nominale spanning		Max. 36 V - 40 V gelijkspanning
Nettogewicht		2,6 - 2,9 kg
Beschermingsklasse		IPX4

- In verband met ononderbroken research en ontwikkeling, behouden wij ons het recht voor de bovenstaande technische gegevens zonder voorafgaande kennisgeving te wijzigen.
- De technische gegevens kunnen van land tot land verschillen.
- Gewicht volgens EPTA-procedure 01/2014

Geschiedte draagbare voedingseenheid

PDC1200 en PDC01

WAARSCHUWING: Gebruik uitsluitend de draagbare voedingseenheden die hierboven worden genoemd. Gebruik van enige andere draagbare voedingseenheid kan leiden tot letsel en/of brand.

Symbolen

Hieronder staan de symbolen die voor het gereedschap kunnen worden gebruikt. Zorg ervoor dat u de betekenis ervan kent voordat u het gereedschap gaat gebruiken.

	Wees vooral voorzichtig en let goed op.
	Lees de gebruiksaanwijzing.
	Houd uw handen uit de buurt van draaiende delen.
	Lang haar kan verstrikt raken en ongelukken veroorzaken.
	Houd omstanders uit de buurt.
	Draag oog- en gehoorbescherming.
	Stel het gereedschap niet bloot aan vocht.
	Alleen voor EU-landen Geef elektrisch gereedschap en accu's niet met het huisvuil mee! Volgens de Europese richtlijn inzake oude elektrische en elektronische apparaten, en inzake batterijen en accu's en oude batterijen en accu's, en de toepassing daarvan binnen de nationale wetgeving, dienen elektrisch gereedschap, accu's en batterijen die het einde van hun levensduur hebben bereikt, gescheiden te worden ingezameld en te worden afgevoerd naar een recyclebedrijf dat voldoet aan de geldende milieu-eisen.

Gebruiksdoeleinden

De machine is bedoeld om stof te blazen.

Geluidsniveau

De typische, A-gewogen geluidsniveaus zijn gemeten volgens EN50636-2-100:

Geluidsdrukniveau (L_{pA}): 83,4 dB (A)

Onzekerheid (K): 2,2 dB (A)

Geluidsvermogeniveau (L_{WA}): 91,4 dB (A)

Onzekerheid (K): 2,5 dB (A)

OPMERKING: De opgegeven geluidsemisiewaarde(n) is/zijn gemeten volgens een standaardtestmethode en kan/kunnen worden gebruikt om dit gereedschap te vergelijken met andere gereedschappen.

OPMERKING: De opgegeven geluidsemisiewaarde(n) kan/kunnen ook worden gebruikt voor een beoordeling vooraf van de blootstelling.

WAARSCHUWING: Draag gehoorbescherming.

WAARSCHUWING: De geluidsemisie tijdens het gebruik van het elektrisch gereedschap in de praktijk kan verschillen van de opgegeven waarde(n) afhankelijk van de manier waarop het gereedschap wordt gebruikt, met name van het soort werkstuk waarmee wordt gewerkt.

WAARSCHUWING: Zorg ervoor dat veiligheidsmaatregelen worden getroffen ter bescherming van de gebruiker die zijn gebaseerd op een schatting van de blootstelling onder praktijkomstandigheden (rekening houdend met alle fasen van de bedrijfscyclus, zoals de tijdsduur gedurende welke het gereedschap is uitgeschakeld en stationair draait, naast de ingeschakelde tijdsduur).

Trilling

De totale trillingswaarde (triaxiale vectorsom) zoals vastgesteld volgens EN50636-2-100:

Gebruikstoepassing: onbelaste werking

Trillingsemissie (a_h): 2,5 m/s² of lager

Onzekerheid (K): 1,5 m/s²

OPMERKING: De totale trillingswaarde(n) is/zijn gemeten volgens een standaardtestmethode en kan/kunnen worden gebruikt om dit gereedschap te vergelijken met andere gereedschappen.

OPMERKING: De opgegeven totale trillingswaarde(n) kan/kunnen ook worden gebruikt voor een beoordeling vooraf van de blootstelling.

⚠️ WAARSCHUWING: De trillingsemissie tijdens het gebruik van het elektrisch gereedschap in de praktijk kan verschillen van de opgegeven waarde(n) afhankelijk van de manier waarop het gereedschap wordt gebruikt, met name van het soort werkstuk waarmee wordt gewerkt.

⚠️ WAARSCHUWING: Zorg ervoor dat veiligheidsmaatregelen worden getroffen ter bescherming van de gebruiker die zijn gebaseerd op een schatting van de blootstelling onder praktijkomstandigheden (rekening houdend met alle fasen van de bedrijfscyclus, zoals de tijdsduur gedurende welke het gereedschap is uitgeschakeld en stationair draait, naast de ingeschakelde tijdsduur).

EG-verklaring van conformiteit

Alleen voor Europese landen

De EG-verklaring van conformiteit is bijgevoegd als Bijlage A bij deze gebruiksaanwijzing.

VEILIGHEIDSWAARSCHUWINGEN

Veiligheidswaarschuwingen voor een accu-aangedreven bladblazer

⚠️ WAARSCHUWING: Lees alle veiligheids- waarschuwingen en alle instructies. Het niet volgen van de waarschuwingen en instructies kan leiden tot elektrische schokken, brand en/of ernstig letsel.

Bewaar alle waarschuwingen en instructies om in de toekomst te kunnen raadplegen.

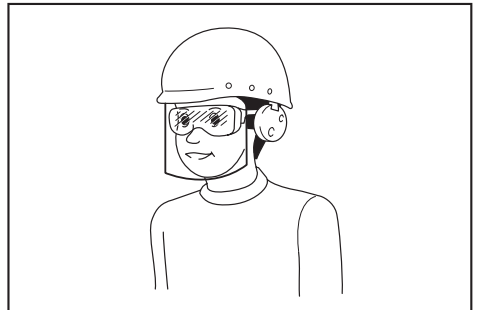
Instructie

1. Lees de gebruiksaanwijzingen zorgvuldig. Zorg dat u vertrouwd bent met de bedieningsorganen en het juiste gebruik van de bladblazer.
2. Laat in geen geval kinderen, personen met een verminderd lichamelijk, zintuiglijk of geestelijk vermogen, of gebrek aan kennis en ervaring, en personen die deze gebruiksaanwijzing niet gelezen hebben, de bladblazer gebruiken. De leeftijd van de gebruiker kan landelijk gereguleerd zijn.
3. Gebruik de bladblazer nooit in de buurt van andere personen, met name kinderen, of huisdieren.

4. Denk eraan dat de gebruiker verantwoordelijk is voor ongevallen en gevaren die personen of hun eigendommen kunnen overkomen.

Voorbereidingen

1. Draag tijdens het gebruik van de bladblazer altijd stevige schoenen en een lange broek.
2. Draag geen losse kleding of sieraden die in de luchtinlaat gezogen kunnen worden. Houd lang haar uit de buurt van de luchtinlaten.
3. Draag tijdens het gebruik van elektrisch gereedschap altijd een veiligheidsbril om uw ogen te beschermen tegen letsel. De bril moet voldoen aan ANSI Z87.1 in de Verenigde Staten, aan EN 166 in Europa, en aan AS/NZS 1336 in Australië en Nieuw-Zeeland. In Australië en Nieuw-Zeeland is het wettelijk verplicht om tevens een spatscherm te dragen om uw gezicht te beschermen.



Het is de verantwoordelijkheid van de werkgever om ervoor te zorgen dat geschikte beschermingsmiddelen gebruikt worden door de gebruikers van het gereedschap en anderen in de onmiddellijke omgeving van de werkplek.

4. Om irritatie door stof te voorkomen, adviseren wij u een gezichtsmasker te dragen.
5. Draag tijdens gebruik van het gereedschap altijd slipvast veiligheidschoeisel. Slipvast, dichte veiligheidsschoenen of -laarzen verlagen de kans op letsel.
6. **Gebruik persoonlijke-veiligheidsmiddelen. Draag altijd oogbescherming.** Veiligheidsmiddelen, zoals stofmaskers, slipvast veiligheidsschoenen, veiligheidshelm en gehoorbescherming, gebruikt in toepasselijke situaties, dragen bij tot vermindering van persoonlijk letsel.
7. **Inspecteer het snoer voordat u het gereedschap gebruikt. Als het snoer beschadigd is, vraagt u uw erkende Makita-servicecentrum hem te repareren.**

Gebruik

1. Schakel de bladblazer uit, verwijder de accu en verzeker u ervan dat alle bewegende delen volledig tot stilstand zijn gekomen:
 - iedere keer als u de bladblazer onbeheerd achterlaat;
 - voordat u een verstopping opheft;
 - voordat u de bladblazer controleert, reinigt of er werkzaamheden aan gaat verrichten;
 - als de bladblazer abnormaal begint te trillen.

2. Gebruik de bladblazer alleen bij daglicht of helder kunstlicht.
 3. Reik niet te ver en zorg altijd voor een stevige stand en goede lichaamsbalans.
 4. Zorg altijd dat u stevig staat op hellingen.
 5. Loop gewoon en ren niet.
 6. Zorg ervoor dat alle koelluchtinlaten vrij zijn van afval.
 7. Blaas nooit afval in de richting van omstanders.
 8. Gebruik de bladblazer in een aanbevolen stand en op een stevige ondergrond.
 9. Gebruik de bladblazer niet op hoge plaatsen.
 10. Richt het mondstuk nooit op iemand in de buurt tijdens het gebruik van de bladblazer.
 11. Blokkeer de aanzuigopening en/of uitblaasopening nooit.
 - Wees voorzichtig dat de aanzuigopening of uitblaasopening niet verstopt raken met stof of vuil tijdens gebruik op een stoffige plaats.
 - Gebruik geen andere mondstukken dan die worden aanbevolen door Makita.
 - Gebruik de bladblazer niet om ballen, rubberbootjes en dergelijke mee op te blazen.
 12. Gebruik de bladblazer niet vlakbij een openstaand raam, enz.
 13. Wij adviseren u de bladblazer alleen op redelijke tijdstippen te gebruiken - niet vroeg in de ochtend of laat in de avond wanneer overlast voor anderen kan ontstaan.
 14. Wij adviseren u vóór gebruik het afval los te maken met een hark of bezem.
 15. Als de bladblazer tegen een vreemd voorwerp stoot of een vreemd geluid maakt of begint te trillen, schakelt u de bladblazer onmiddellijk uit. Verwijder de accu vanaf de bladblazer en inspecteer de bladblazer op beschadigingen voordat u de bladblazer weer start en gebruikt. Als de bladblazer beschadigd is, vraagt u uw erkende Makita-servicecentrum hem te repareren.
 16. Steek geen vingers of andere voorwerpen in de aanzuigopening of uitblaasopening.
 17. Voorkom onbedoeld starten. Verzekert u ervan dat de schakelaar in de uit-stand staat alvorens de accu aan te brengen of de bladblazer op te pakken of te dragen. Door de bladblazer te dragen met uw vinger op de schakelaar, of door de bladblazer op een voeding aan te sluiten terwijl de schakelaar aan staat, neemt de kans op ongevallen sterk toe.
 18. Blaas nooit gevaarlijke materialen weg, zoals spijkers, stukjes glas of mesjes.
 19. Gebruik de bladblazer niet in de buurt van ontvlambare materialen.
 20. Vermijd langdurig gebruik van de bladblazer in een zeer koude omgeving.
 21. Gebruik het gereedschap niet wanneer de kans op bliksem bestaat.
 22. Als u het gereedschap op een modderige ondergrond, natte helling of gladde plaats gebruikt, let u erop dat u stevig staat.
 23. Vermijd werken in een ongunstige omgeving waarin een verhoogde vermoeidheid van de gebruiker kan worden verwacht.
 24. Gebruik het gereedschap niet bij slecht weer waarin het zicht beperkt is. Als u dit toch doet, kan dat een val of verkeerde bediening veroorzaken als gevolg van het slechte zicht.
 25. Dompel het gereedschap niet onder in een waterplas.
 26. Wanneer natte bladeren of vuil blijft kleven aan de aanzuigmond (ventilatieopening) als gevolg van de regen, verwijdt u deze.
- Onderhoud en opbergen**
1. Zorg ervoor dat alle moeren, bouten en schroeven stevig vastgedraaid zijn om er zeker van te zijn dat de bladblazer altijd veilig kan worden gebruikt.
 2. Als de onderdelen versleten of beschadigd zijn, vervangt u deze door onderdelen geleverd door Makita.
 3. Berg de bladblazer op een droge plaats op buiten bereik van kinderen.
 4. Wanneer u de bladblazer stopt voor inspectie, onderhoud, opslag of het verwisselen van accessoires, schakelt u de bladblazer uit en verzekert u zich er eerst van dat alle bewegende delen volledig tot stilstand zijn gekomen en verwijdt u daarna de accu. Laat de bladblazer afkoelen voordat u enige werkzaamheden aan de bladblazer uitvoert. Onderhoud de bladblazer zorgvuldig en houd hem schoon.
 5. Laat de bladblazer altijd eerst afkoelen voordat u hem opbergt.
 6. Stel de bladblazer niet bloot aan regen. Bewaar de bladblazer binnenshuis.
 7. Wanneer u de bladblazer optilt, moet u uw knieën buigen en bent u voorzichtig uw rug niet te bezeren.
 8. Laat het gereedschap niet onbeheerd buiten in de regen staan.
 9. Was het gereedschap niet met water onder hoge druk.
 10. Wanneer u de machine opbergt, vermijdt u direct zonlicht en regen, en bergt u het op een plaats op die niet heet of vochtig wordt.
 11. Voer inspectie en onderhoud uit op een plaats waar regen kan worden vermeden.
 12. Nadat u het gereedschap hebt gebruikt, verwijdt u het aanklevende vuil en laat u het gereedschap volledig drogen voordat u hem opbergt. Afhankelijk van het seizoen of gebied, bestaat de kans op een storing als gevolg van bevriezing.
 13. Pak het gereedschap niet op en draag het niet aan alleen het snoer.
- Gebruik en verzorging van gereedschap dat op een accu werkt**
1. Laad alleen op met de acculader aanbevolen door de fabrikant. Een acculader die geschikt is voor een bepaald type accu, kan brandgevaar opleveren indien gebruikt met een ander type accu.

2. **Gebruik elektrisch gereedschap uitsluitend met de daarvoor bestemde accu.** Gebruik van andere accu's kan gevaar voor letsel of brandgevaar opleveren.
3. **Als de accu niet wordt gebruikt, houdt u deze uit de buurt van metalen voorwerpen, zoals paperclips, muntgeld, sleutels, spijkers, schroeven en andere kleine metalen voorwerpen die een kortsluiting kunnen veroorzaken tussen de accupolen.** Kortsluiting tussen de accupolen kan leiden tot brandwonden of brand.
4. **Onder zware gebruiksomstandigheden kan vloeistof uit de accu komen. Voorkom aanraking!** Als u er per ongeluk mee in aanraking komt, spoelt u het er met water af. Als de vloeistof in uw ogen komt, raadpleegt u tevens een arts. Vloeistof uit de accu kan irritatie en brandwonden veroorzaken.
5. **Gebruik geen accu of gereedschap dat beschadigd of gewijzigd is.** Beschadigde of gewijzigde accu's kunnen onvoorspelbaar gedrag vertonen dat kan leiden tot brand, explosie of gevaar van letsel.
6. **Stel een accu of gereedschap niet bloot aan vuur of buitensporige temperaturen.** Blootstelling aan vuur of temperaturen hoger dan 130 °C kunnen een explosie veroorzaken.
7. **Volg alle oplaadinstructions en laad de accu of het gereedschap niet op buiten het temperatuurbereik opgegeven in de instructies.** Verkeerd opladen of bij een temperatuur buiten het opgegeven bereik kan de accu beschadigen en de kans op brand vergroten.

Elektrische veiligheid en accu

1. **Werp de accu('s) niet in een vuur.** De accu kan exploderen. Raadpleeg de lokale regelgeving voor mogelijke speciale verwerkingsvereisten.
2. **Open of vervorm de accu('s) niet.** Het elektrolyt is agressief en kan letsel toebrengen aan de ogen en huid. Het kan giftig zijn bij inslikken.
3. **Laad de accu niet op in de regen of op een natte plaats.**
4. **Laad de accu niet buitenshuis op.**
5. **Raak de lader, inclusief de stekker en de contacten van de lader, niet met natte handen aan.**
6. **Vervang de accu niet in de regen.**
7. **Laat de aansluitpunten van de accu niet nat worden met een vloeistof, zoals water, en dompel de accu niet onder.** Laat de accu niet in de regen liggen en laad of berg de accu niet op een vochtige of natte plaats op. Als de aansluitpunten nat worden of vloeistof binnendringt in de accu, kan kortsluiting ontstaan in de accu en bestaat de kans op oververhitting, brand of explosie.
8. **Nadat de accu vanaf het gereedschap of de acculader is verwijderd, vergeet u niet het accudeksel op de accu te bevestigen en deze op een droge plaats op te bergen.**
9. **Vervang de accu niet met natte handen.**
10. **Als de accu nat wordt, laat u het water eruit lopen en veegt u hem af met een droge doek. Laat de accu volledig drogen op een droge plaats voordat u hem gebruikt.**

Reparatie

1. **Laat uw elektrisch gereedschap repareren door een vakbekwame reparateur die gebruik maakt van uitsluitend identieke vervangingsonderdelen.** Zo bent u ervan verzekerd dat de veiligheid van het elektrisch gereedschap behouden blijft.
2. **Repareer nooit een beschadigde accu.** Het repareren van een accu mag uitsluitend worden uitgevoerd door de fabrikant of een erkend servicecentrum.

BEWAAR DEZE VOORSCHRIFTEN.

⚠WAARSCHUWING: Laat u NIET misleiden door een vals gevoel van comfort en bekendheid met het gereedschap (na veelvuldig gebruik) en neem alle veiligheidsvoorschriften van het betreffende gereedschap altijd strikt in acht.

VERKEERD GEBRUIK of het niet naleven van de veiligheidsvoorschriften in deze gebruiksaanwijzing kan leiden tot ernstige verwondingen.

Belangrijke veiligheidsinstructies voor een accu

1. **Lees alle voorschriften en waarschuwingen op (1) de acculader, (2) de accu, en (3) het product waarvoor de accu wordt gebruikt, alvorens de accu in gebruik te nemen.**
2. **Haal de accu niet uit elkaar en saboteer hem niet.** Dit kan leiden tot brand, buitensporige hitte of een explosie.
3. **Als de gebruikstijd van een opgeladen accu aanzienlijk korter is geworden, moet u het gebruik ervan onmiddellijk stopzetten.** Voortgezet gebruik kan oververhitting, brandwonden en zelfs een ontploffing veroorzaken.
4. **Als elektrolyt in uw ogen is terechtgekomen, spoelt u uw ogen met schoon water en roept u onmiddellijk de hulp van een dokter in.** Elektrolyt in de ogen kan blindheid veroorzaken.
5. **Voorom kortsluiting van de accu:**
 - (1) **Raak de accuklemmen nooit aan met een geleidend materiaal.**
 - (2) **Bewaar de accu niet in een bak waarin andere metalen voorwerpen zoals spijkers, munten e.d. worden bewaard.**
 - (3) **Stel de accu niet bloot aan water of regen.** Kortsluiting van de accu kan oorzaak zijn van een grote stroomafgifte, oververhitting, brandwonden, en zelfs defecten.
6. **Bewaar en gebruik het gereedschap en de accu niet op plaatsen waar de temperatuur kan oplopen tot 50 °C of hoger.**
7. **Werp de accu nooit in het vuur, ook niet wanneer hij zwaar beschadigd of volledig versleten is.** De accu kan ontploffen in het vuur.
8. **Laat de accu niet vallen, sla er geen spijker in, snijd er niet in, gooi er niet mee en stoot hem niet tegen een hard voorwerp.** Dergelijke handelingen kunnen leiden tot brand, buitensporige hitte of een explosie.

9. **Gebruik nooit een beschadigde accu.**
10. **De bijgeleverde lithium-ionbatterijen zijn onderhevig aan de vereisten in de wetgeving omtrent gevaarlijke stoffen.**
 Voor commercieel transport en dergelijke door derden en transporteurs moeten speciale vereisten ten aanzien van verpakking en etikettering worden nageleefd.
 Als voorbereiding van het artikel dat wordt getransporteerd is het noodzakelijk een expert op het gebied van gevaarlijke stoffen te raadplegen. Houd u tevens aan mogelijk strengere nationale regelgeving.
 Blootliggende contactpunten moeten worden afgedekt met tape en de accu moet zodanig worden verpakt dat deze niet kan bewegen in de verpakking.
11. **Wanneer u de accu wilt weggooiën, verwijdert u de accu vanaf het gereedschap en gooit u hem op een veilige manier weg. Volg bij het weggooiën van de accu de plaatselijke voorschriften.**
12. **Gebruik de accu's uitsluitend met de gereedschappen die door Makita zijn aanbevolen.** Als de accu's worden aangebracht in niet-compatibele gereedschappen, kan dat leiden tot brand, buitensporige warmteontwikkeling, een explosie of lekkage van elektrolyt.
13. **Als u het gereedschap gedurende een lange tijd niet denkt te gaan gebruiken, moet de accu vanaf het gereedschap worden verwijderd.**
14. **Tijdens en na gebruik, kan de accu heet worden waardoor brandwonden of koude brandwonden kunnen worden veroorzaakt. Wees voorzichtig bij het hanteren van een hete accu.**
15. **Raak de aansluitpunten van het gereedschap niet onmiddellijk na gebruik aan omdat deze heet genoeg kunnen zijn om brandwonden te veroorzaken.**
16. **Zorg ervoor dat geen steenslag, stof of grond vast komt te zitten op/in de aansluitpunten, openingen en groeven van de accu.** Dit kan leiden tot slechte prestaties of een defect van het gereedschap of de accu.
17. **Behalve indien gebruik van het gereedschap is toegestaan in de buurt van hoogspanningsleidingen, mag u de accu niet gebruiken in de buurt van een hoogspanningsleiding.** Dit kan leiden tot een storing of een defect van het gereedschap of de accu.
18. **Houd de accu uit de buurt van kinderen.**

BEWAAR DEZE INSTRUCTIES.

⚠ LET OP: Gebruik uitsluitend originele Makita accu's. Het gebruik van niet-originele accu's, of accu's die zijn gewijzigd, kan ertoe leiden dat de accu ontploft en brand, persoonlijk letsel en schade veroorzaakt. Ook vervalt daarmee de garantie van Makita op het gereedschap en de lader van Makita.

Tips voor een maximale levensduur van de accu

1. Laad de accu op voordat hij volledig ontladen is. Stop het gebruik van het gereedschap en laad de accu op telkens wanneer u vaststelt dat het vermogen van het gereedschap is afgenomen.
2. Laad een volledig opgeladen accu nooit opnieuw op. Te lang opladen verkort de levensduur van de accu.
3. Laad de accu op bij een omgevingstemperatuur tussen 10°C en 40°C. Laat een warme accu afkoelen alvorens hem op te laden.
4. Als de accu niet wordt gebruikt, verwijderd u hem vanaf het gereedschap of de lader.
5. Laad de accu op als u deze gedurende een lange tijd (meer dan zes maanden) niet gaat gebruiken.

MONTAGE

⚠ LET OP: Zorg er altijd voor dat het gereedschap is uitgeschakeld en dat de draagbare voedingseenheid is losgekoppeld van het gereedschap alvorens enige werkzaamheden aan het gereedschap uit te voeren.

Het eindmondstuk aanbrengen

Lijn de driehoekmarkering op het eindmondstuk uit met de driehoekmarkering op de voorpijp, steek daarna het eindmondstuk op de voorpijp en verdraai tenslotte het eindmondstuk om hem op zijn plaats te vergrendelen. Breng het eindmondstuk zodanig aan dat de punt van het mondstuk omlaag gericht is. Afhankelijk van de werkomgeving kunt u het eindmondstuk zodanig aanbrengen dat de punt van het mondstuk omhoog gericht is.

► **Fig.1:** 1. Driehoek-markering 2. Eindmondstuk 3. Voorpijp

Om het eindmondstuk te verwijderen, volgt u de procedure voor het aanbrengen in de omgekeerde volgorde.

OPMERKING: De lengte van het mondstuk kan worden veranderd door het mondstuk te verschuiven zoals aangegeven in de afbeelding.

► **Fig.2:** 1. Eindmondstuk 2. Voorpijp

Het platte mondstuk of de verlengpijp aanbrengen

Optioneel accessoire

1. Lijn de groef in de adapterpijp uit met het uitsteeksel op de voorpijp, steek daarna de adapterpijp op de voorpijp en verdraai deze tenslotte om hem op zijn plaats te vergrendelen.

► **Fig.3:** 1. Adapterpijp 2. Voorpijp

2. Lijn de groef in het platte mondstuk of de verlengpijp uit met het uitsteeksel op de adapterpijp, steek daarna het platte mondstuk of de verlengpijp op de adapterpijp en verdraai deze tenslotte om hem op zijn plaats te vergrendelen.

► **Fig.4:** 1. Platte mondstuk 2. Verlengpijp
3. Adapterpijp

De dakgootset aanbrengen

Optioneel accessoire

1. Lijn de groef in de adapterpijp uit met het uitsteeksel op de voorpijp, steek daarna de adapterpijp op de voorpijp en verdraai deze tenslotte om hem op zijn plaats te vergrendelen.

Steek de adapterpijp zo ver mogelijk erop zodat het uitsteeksel in de verste groef van de adapterpijp valt.

► **Fig.5:** 1. Schroef 2. Slangklem 3. Adapterpijp 4. Voorpijp

2. Draai de schroeven van de slangklemmen los en steek eerst de grote slangklem op de adapterpijp en daarna de kleine slangklem.

3. Breng de verlengpijp aan op de adapterpijp.

Lijn de groef op de verlengpijp uit met het uitsteeksel op de adapterpijp en schuif daarna de verlengpijp langs zijn groef zodat de driehoekmarkeringen tegenover elkaar staan.

► **Fig.6:** 1. Verlengpijp 2. Adapterpijp

4. Plaats de slangklemmen in de groeven, zoals afgebeeld, en draai de schroeven aan.

► **Fig.7:** 1. Schroef 2. Slangklem

5. Afhankelijk van de werkhoogte, brengt u de rest van de verlengpijpen aan op de verlengpijp die al is aangebracht.

⚠ LET OP: Breng geen verdere verlengpijpen aan als de totale lengte, inclusief de bladblazer zelf, langer is dan 4 meter.

6. Draai het uiteinde van het eindmondstuk zoals aangegeven in de afbeelding.

► **Fig.8**

7. Sluit het eindmondstuk aan op de verlengpijp. Bij het aanbrengen lijnt u de driehoekmarkering op het eindmondstuk uit met dat op de verlengpijp, en duwt u vervolgens het eindmondstuk erop tot het wordt vergrendeld. Verdraai daarna het eindmondstuk naar de gewenste stand voor uw werkzaamheden.

► **Fig.9:** 1. Eindmondstuk 2. Verlengpijp 3. Driehoekmarkering

Bij het verwijderen van het eindmondstuk, lijnt u de driehoekmarkeringen op het eindmondstuk en de verlengpijp met elkaar uit, en trekt u vervolgens het eindmondstuk van de verlengpijp af.

► **Fig.10:** 1. Eindmondstuk 2. Verlengpijp 3. Driehoekmarkering

BESCHRIJVING VAN DE FUNCTIES

⚠ LET OP: Zorg er altijd voor dat het gereedschap is uitgeschakeld en dat de draagbare voedingseenheid is losgekoppeld van het gereedschap alvorens enige werkzaamheden aan het gereedschap uit te voeren.

Beveiligingssysteem voor apparaat/accu

Het apparaat is uitgerust met een beveiligingssysteem voor apparaat/accu. Dit systeem schakelt automatisch de voeding naar de motor uit om de levensduur van het apparaat en de accu te verlengen. Het apparaat kan tijdens het gebruik automatisch stoppen als het apparaat of de accu aan één van de volgende omstandigheden wordt blootgesteld:

Overbelastingsbeveiliging

Wanneer het gereedschap of de accu wordt gebruikt op een manier waardoor een abnormaal hoge stroom wordt getrokken, stopt het gereedschap automatisch en knippert de aan-uitlamp van het gereedschap groen. Wanneer dat gebeurt, schakelt u het gereedschap uit en stopt u de toepassing die ertoe leidde dat het gereedschap overbelast raakte. Schakel vervolgens het gereedschap in om het weer te starten.

Oververhittingsbeveiliging

Wanneer het gereedschap of de accu oververhit is, stopt het gereedschap automatisch. Wanneer het gereedschap oververhit is, brandt de aan-uitlamp van het gereedschap rood. Wanneer de accu oververhit is, knippert de aan-uitlamp van het gereedschap rood. Laat het gereedschap en de accu afkoelen voordat u het gereedschap opnieuw inschakelt.

Beveiliging tegen te ver ontladen

Als de acculading onvoldoende is, stopt het gereedschap automatisch en knippert de aan-uitlamp van het gereedschap rood. Verwijder in dat geval de accu vanaf het gereedschap en laad de accu op of vervang de accu door een volledig opgeladen accu.

Hoofdschakelaar

⚠ WAARSCHUWING: Zet altijd de hoofdschakelaar uit indien niet in gebruik.

Om het gereedschap in te schakelen, drukt u op de hoofdschakelaar. De aan-uitlamp brandt groen. Om uit te schakelen, drukt u opnieuw op de hoofdschakelaar.

► **Fig.11:** 1. Aan-uitlamp 2. Hoofdschakelaar

OPMERKING: Dit gereedschap maakt gebruik van de automatische uitschakelfunctie. Om onbedoeld starten te voorkomen wordt de hoofdschakelaar automatisch uitgeschakeld wanneer de trekkerschakelaar niet wordt ingeknepen binnen een bepaalde tijdsduur nadat de hoofdschakelaar is ingeschakeld.

OPMERKING: Als u op de hoofdschakelaar drukt terwijl de bedieningshendel niet volledig is teruggezet in de uit-stand, of wanneer u de trekkerschakelaar inknijpt, knippert de aan-uitlamp groen. Zet in dat geval de bedieningshendel volledig terug, of laat de trekkerschakelaar los, en druk daarna op de hoofdschakelaar.

De trekkerschakelaar gebruiken

WAARSCHUWING: Voordat u de draagbare voedingseenheid aansluit op het gereedschap, controleert u altijd of de trekkerschakelaar correct werkt en na loslaten terugkeert naar de uit-stand.

Om het gereedschap te starten, knijpt u gewoon de trekkerschakelaar in. De snelheid neemt toe naarmate u meer druk uitoefent op de trekkerschakelaar. Laat de trekkerschakelaar los om te stoppen.

► Fig.12: 1. Trekkerschakelaar

U kunt het gereedschap gebruiken in de boostfunctie. In de boostfunctie is het luchtvolume groter dan in de normale functie. Om het gereedschap in de boostfunctie te gebruiken, knijpt u eerst de trekkerschakelaar in tot de trekkerschakelaar stopt in de halverwege-stand, en knijpt u vervolgens de trekkerschakelaar helemaal in.

► Fig.13: 1. Trekkerschakelaar

OPMERKING: Afhankelijk van de gebruiksomstandigheden, kan het gebruik van de boostfunctie worden beperkt om het gereedschap te beschermen. Als de aan-uitlamp van het gereedschap groen knippert wanneer u de trekkerschakelaar helemaal inknijpt, of terwijl u het gereedschap in de boostfunctie gebruikt, is de boostfunctie niet beschikbaar.

OPMERKING: De boostfunctie is niet beschikbaar door de bedieningshendel te draaien.

Cruise-controloffunctie

De cruise-controloffunctie stelt de gebruiker in staat om een constante snelheid aan te houden zonder de trekker in te knijpen. Om de snelheid te verhogen, draait u de bedieningshendel naar voren. Om de snelheid te verlagen, draait u de bedieningshendel naar achteren.

► Fig.14: 1. Bedieningshendel

Beveiliging tegen onopzettelijk herstarten

Zelfs wanneer u de draagbare voedingseenheid aansluit op het gereedschap terwijl de trekkerschakelaar ingeknepen wordt gehouden, start het gereedschap niet. Om het gereedschap te kunnen starten, laat u eerst de trekkerschakelaar los en zet u de bedieningshendel helemaal terug, en knijpt u vervolgens de trekkerschakelaar in.

BEDIENING

De draagbare voedingseenheid aansluiten

LET OP: Wanneer u het gereedschap gebruikt in combinatie met een ruggedragen voeding, zoals de draagbare voedingseenheid, gebruikt u de draagband inbegrepen in de doos van het gereedschap of een draagband aanbevolen door Makita.

Als u een schouderdraagstel dat niet wordt aanbevolen door Makita aantrekt en tegelijkertijd het schouderdraagstel van de ruggedragen voeding aantrekt, is het moeilijk om het gereedschap of de ruggedragen voeding in een noodgeval te verwijderen, waardoor een ongeval of letsel kan worden veroorzaakt. Voor de aanbevolen draagband, neemt u contact op met een erkend Makita-servicecentrum.

LET OP: Verzeker u er voor gebruik van dat de gesp van de heupgordel dicht zit en het gereedschap stevig is bevestigd aan de haak van de draagband.

LET OP: Om onbedoeld starten te voorkomen, verzekert u zich ervan dat het gereedschap en de draagbare voedingseenheid zijn uitgeschakeld voordat u deze procedure start.

LET OP: Alvorens deze procedure uit te voeren, voltooit u de afstellingen van de heupgordel en het schouderdraagstel. Raadpleeg de gebruiksaanwijzing van de draagbare voedingseenheid voor meer informatie.

Voor PDC1200

LET OP: Om de accu te verwijderen, houdt u de handgreep stevig vast en drukt u op de vergrendelknop. Voordat u de accu verwijdert, stelt u de heupgordel af op de laagste stand.

► Fig.15: 1. Handgreep 2. Vergrendelknop

LET OP: Wees voorzichtig dat bij het aanbrengen van de accu uw vingers of duimen niet bekneld raken tussen de accu en de grondplaat.

LET OP: Verzeker u ervan dat de accu goed is bevestigd op de grondplaat. Anders kan de accu vallen terwijl u de eenheid draagt of de eenheid gebruikt, en letsel veroorzaken. Wanneer het rode deel zichtbaar is, zoals aangegeven in de afbeelding, is de accu niet geheel vergrendeld.

► Fig.16: 1. Rode deel

Voor PDC01

OPMERKING: Alvorens deze procedure uit te voeren, brengt u de accu(s) aan in de draagbare voedingseenheid. Raadpleeg de gebruiksaanwijzing van de draagbare voedingseenheid voor meer informatie.

1. Trek de kabel uit de linker- of rechterkant van de accu.

Voor PDC1200

Verwijder de accu vanaf de grondplaat, trek daarna de kabel uit de linker- of rechterkant van de accu, en breng vervolgens de accu aan op de grondplaat. Wanneer u de kabel eruit trekt, let u erop dat de kabel in de klemmen wordt bevestigd zoals aangegeven in de afbeelding.

► Fig.17: 1. Kabel 2. Klem

Voor PDC01

Wanneer u de kabel eruit trekt, let u erop dat de kabel in de klemmen wordt bevestigd zoals aangegeven in de afbeelding.

► **Fig.18:** 1. Kabel 2. Klem

2. Bevestig de kabel aan de kabelklemmen.

► **Fig.19:** 1. Kabelklem

3. Bevestig de haken van de draagband aan de ringen van het schouderdraagstel en de heupgordel.

► **Fig.20:** 1. Ring 2. Haak

4. Druk op de aan-uitknop van de draagbare voedingseenheid. De aan-uitlamp brandt.

Voor PDC1200

► **Fig.21:** 1. Aan-uitknop 2. Aan-uitlamp

Voor PDC01

► **Fig.22:** 1. Aan-uitknop 2. Aan-uitlamp

5. Draag het schouderdraagstel van de draagbare voedingseenheid en sluit de gesp van de heupgordel.

► **Fig.23**

6. Bevestig het schouderdraagstel aan het gereedschap met behulp van de haak aan de draagband. Verzeker u ervan vast te haken aan het bevestigings-oog van het gereedschap.

► **Fig.24:** 1. Haak 2. Bevestigingsoog

Stel de lengte van de draagband af.

► **Fig.25**

7. Steek de stekker van het gereedschap in de aansluiting van de draagbare voedingseenheid.

Bij het insteken moeten de driehoek-markeringen op de stekker en de aansluiting zijn uitgelijnd.

► **Fig.26:** 1. Stekker 2. Aansluiting
3. Driehoek-markering

8. Druk op de hoofdschakelaar om het gereedschap in te schakelen.

Het gereedschap is gebruiksklaar. Het gereedschap zal starten zodra u de trekkerschakelaar inknijpt.

► **Fig.27:** 1. Hoofdschakelaar

OPMERKING: U kunt ook de draagband gebruiken, zoals aangegeven in de afbeelding.

► **Fig.28**

Stel de lengte van de draagband af.

► **Fig.29**

De bladblazer bedienen

⚠ LET OP: Plaats het gereedschap niet op de grond terwijl het is ingeschakeld. Zand of stof kan in de aanzuigopening binnendringen en een storing of persoonlijk letsel veroorzaken.

Houd het gereedschap stevig vast met één hand en blaas de bladeren weg door het langzaam heen en weer te bewegen. Wanneer u in de buurt van een gebouw, grote steen of voertuig blaast, richt u het mondstuk de andere kant op. Wanneer u een hoek wilt schoon blazen, begint u binnenin de hoek en blaast u naar buiten toe.

► **Fig.30**

Wanneer u het gereedschap neerzet, maakt u de gesp van de draagband met één hand los terwijl u het gereedschap met de andere hand vasthoudt.

► **Fig.31:** 1. Gesp

► **Fig.32:** 1. Gesp

Wanneer u het gereedschap en de draagbare voedingseenheid tegelijkertijd neerzet, maakt u de gesp van de heupgordel los en zet u het gereedschap en de draagbare voedingseenheid neer.

► **Fig.33:** 1. Gesp

OPMERKING: Wanneer u de gesp losmaakt, drukt u de vergrendelhaken aan beide zijkanen van de gesp in. Wanneer u de gesp vastmaakt, steekt u de vergrendelhaken in de gesp tot ze vergrendelen.

► **Fig.34:** 1. Vergrendelhaak

De dakgootset gebruiken

⚠ LET OP: Bij gebruik van de dakgootset mag u het apparaat niet in de boostfunctie gebruiken. Aangezien het luchtvolume groter wordt in de boostfunctie kunt u uw evenwicht verliezen waardoor een ongeval kan worden veroorzaakt.

⚠ LET OP: Houd bij het gebruik van de dakgootset, de bladblazer niet met één hand vast, maar met beide handen.

► **Fig.35**

⚠ LET OP: Gebruik de dakgootset niet in de buurt van elektriciteitsleidingen.

► **Fig.36**

⚠ LET OP: Gebruik de dakgootset niet op een winderige dag.

► **Fig.37**

⚠ LET OP: Houd bij het gebruik van de dakgootset, ander personen of dieren meer dan 15 meter uit de buurt van de bladblazer.

► **Fig.38**

Houd de bladblazer rechtop door de bladblazer aan de handgreep vast te houden. Plaats de uitblaasopening tegen de dakgoot en schakel daarna de bladblazer in.

► **Fig.39**

ONDERHOUD

⚠ LET OP: Zorg er altijd voor dat het gereedschap is uitgeschakeld en dat de draagbare voedingseenheid is losgekoppeld van het gereedschap alvorens inspectie- of onderhoudswerkzaamheden uit te voeren.

Om de VEILIGHEID en BETROUWBAARHEID van het gereedschap te handhaven, dienen alle reparaties, onderhoud of afstellingen te worden uitgevoerd bij een erkend Makita-servicecentrum of de Makita-fabriek, en altijd met gebruik van Makita-vervangingsonderdelen.

Het gereedschap reinigen

Reinig het gereedschap door het stof eraf te vegen met een droge doek of een doek gedoopt in zeepwater en uitgewrongen.

► Fig.40

KENNISGEVING: Gebruik nooit benzine, wasbenzine, thinner, alcohol en dergelijke. Hierdoor kunnen verkleuring, vervormingen en barsten worden veroorzaakt.

Verwijder stof en vuil vanuit de aanzuigopening aan de achterkant van het gereedschap.

► Fig.41: 1. Aanzuigopening

Opslag

Alvorens het gereedschap op te bergen, koppelt u de draagbare voedingseenheid los van het gereedschap en voert u de volledige onderhoudswerkzaamheden uit. Berg het gereedschap op een plaats op die buiten het bereik van kinderen ligt en die niet is blootgesteld aan vocht, regen of direct zonlicht.

Het gat voor de haak aan de onderkant van het gereedschap is handig om het gereedschap aan een spijker of schroef in de muur te hangen.

► Fig.42: 1. Gat

PROBLEMEN OPLOSSEN

Alvorens om reparatie te verzoeken, voert u eerst zelf een inspectie uit. Als u een probleem ondervindt dat niet in deze gebruiksaanwijzing wordt beschreven, mag u niet proberen het gereedschap uit elkaar te halen. Laat reparaties over aan een erkend Makita-servicecentrum, en altijd met gebruikmaking van originele Makita-vervangingsonderdelen.

Probleemomschrijving	Waarschijnlijke oorzaak (storing)	Oplossing
Motor loopt niet.	De accu is niet aangebracht.	Breng de accu's aan.
	Probleem met de accu (lage spanning).	Laad de accu op. Als het opladen niet helpt, vervangt u de accu.
	De aandrijving werkt niet goed.	Vraag uw plaatselijke, erkende servicecentrum het gereedschap te repareren.
De motor stopt na kort te hebben gedraaid.	De accu is bijna leeg.	Laad de accu op. Als het opladen niet helpt, vervangt u de accu.
	Oververhitting.	Stop het gebruik van het gereedschap en laat het afkoelen.
Het gereedschap bereikt niet de maximumsnelheid.	De accu is niet goed aangebracht.	Breng de accu aan zoals beschreven in deze gebruiksaanwijzing.
	Het accuvermogen neemt af.	Laad de accu op. Als het opladen niet helpt, vervangt u de accu.
	De aandrijving werkt niet goed.	Vraag uw plaatselijke, erkende servicecentrum het gereedschap te repareren.
Abnormale trillingen: ⇒ stop het gereedschap onmiddellijk!	De aandrijving werkt niet goed.	Vraag uw plaatselijke, erkende servicecentrum het gereedschap te repareren.
De motor kan niet stoppen: ⇒ verwijder de accu onmiddellijk!	Elektrische of elektronische storing.	Verwijder de accu en vraag uw plaatselijk erkende servicecentrum het gereedschap te repareren.

OPTIONELE ACCESSOIRES

⚠ LET OP: Deze accessoires of hulpstukken worden aanbevolen voor gebruik met het Makita-product dat in deze gebruiksaanwijzing wordt beschreven. Het gebruik van andere accessoires of hulpstukken kan gevaar voor persoonlijk letsel opleveren. Gebruik de accessoires of hulpstukken uitsluitend voor de aangegeven doeleinden.

Wenst u meer bijzonderheden over deze accessoires, neem dan contact op met het plaatselijke Makita-servicecentrum.

- Adapterpijp
- Verlengpijp
- Platte mondstuk
- Dakgootset
- Band compleet
- Originele Makita accu's en acculaders

OPMERKING: Sommige items op de lijst kunnen zijn inbegrepen in de doos van het product als standaard toebehoren. Deze kunnen van land tot land verschillen.

ESPECIFICACIONES

Modelo:		UB001C
Capacidades	Volumen de aire	0 - 17,6 m ³ /min
	Velocidad del aire (promedia)	0 - 58,0 m/s
	Velocidad del aire (máx.)	0 - 70,0 m/s
Longitud total (con boquilla final)		960 mm / 1.010 mm / 1.060 mm
Tensión nominal		CC 36 V - 40 V máx.
Peso neto		2,6 - 2,9 kg
Grado de protección		IPX4

- Debido a nuestro continuado programa de investigación y desarrollo, las especificaciones aquí dadas están sujetas a cambios sin previo aviso.
- Las especificaciones pueden ser diferentes de país a país.
- Peso de acuerdo con el procedimiento EPTA 01/2014








Unidad portátil de alimentación eléctrica aplicable

PDC1200 / PDC01

⚠ ADVERTENCIA: Utilice solamente las unidades portátiles de alimentación eléctrica indicadas arriba. La utilización de otras unidades portátiles de alimentación eléctrica puede ocasionar heridas y/o un incendio.

Símbolos

A continuación se muestran los símbolos que pueden ser utilizados para el equipo. Asegúrese de que entiende su significado antes de utilizar.

	Preste cuidado y atención especiales.
	Lea el manual de instrucciones.
	Mantenga las manos alejadas de las partes giratorias.
	El cabello largo puede enredarse y ocasionar un accidente.
	Mantenga alejados a los transeúntes.
	Utilice protección para los ojos y oídos.
	No exponga a la humedad.



Sólo para países de la Unión Europea
 ¡No deseche los aparatos eléctricos o baterías junto con los residuos domésticos!
 De conformidad con las Directivas Europeas, sobre residuos de aparatos eléctricos y electrónicos y baterías y acumuladores y residuos de baterías y acumuladores y su aplicación de acuerdo con la legislación nacional, los aparatos eléctricos y pilas y baterías cuya vida útil haya llegado a su fin deberán ser recogidos por separado y trasladados a una planta de reciclaje que cumpla con las exigencias ecológicas.

Uso previsto

La máquina ha sido prevista para quitar polvo soplando.

Ruido

El nivel de ruido A-ponderado típico determinado de acuerdo con la norma EN50636-2-100:
 Nivel de presión sonora (L_{pA}) : 83,4 dB (A)
 Error (K) : 2,2 dB (A)
 Nivel de potencia sonora (L_{WA}) : 91,4 dB (A)
 Error (K) : 2,5 dB (A)

NOTA: El valor (o los valores) de emisión de ruido declarado ha sido medido de acuerdo con un método de prueba estándar y se puede utilizar para comparar una herramienta con otra.

NOTA: El valor (o valores) de emisión de ruido declarado también se puede utilizar en una valoración preliminar de exposición.

⚠ADVERTENCIA: Póngase protectores para oídos.

⚠ADVERTENCIA: La emisión de ruido durante la utilización real de la herramienta eléctrica puede variar del valor (o los valores) de emisión declarado dependiendo de las formas en las que la herramienta sea utilizada, especialmente qué tipo de pieza de trabajo se procesa.

⚠ADVERTENCIA: Asegúrese de identificar medidas de seguridad para proteger al operario que estén basadas en una estimación de la exposición en las condiciones reales de utilización (teniendo en cuenta todas las partes del ciclo operativo como las veces cuando la herramienta está apagada y cuando está funcionando en vacío además del tiempo de gatillo).

Vibración

El valor total de la vibración (suma de vectores triaxiales) determinado de acuerdo con la norma EN50636-2-100:

Modo de trabajo: operación sin carga

Emisión de vibración ($a_{h,r}$): 2,5 m/s² o menos

Error (K): 1,5 m/s²

NOTA: El valor (o los valores) total de emisión de vibración declarado ha sido medido de acuerdo con un método de prueba estándar y se puede utilizar para comparar una herramienta con otra.

NOTA: El valor (o los valores) total de emisión de vibración declarado también se puede utilizar en una valoración preliminar de exposición.

⚠ADVERTENCIA: La emisión de vibración durante la utilización real de la herramienta eléctrica puede variar del valor (o los valores) de emisión declarado dependiendo de las formas en las que la herramienta sea utilizada, especialmente qué tipo de pieza de trabajo se procesa.

⚠ADVERTENCIA: Asegúrese de identificar medidas de seguridad para proteger al operario que estén basadas en una estimación de la exposición en las condiciones reales de utilización (teniendo en cuenta todas las partes del ciclo operativo como las veces cuando la herramienta está apagada y cuando está funcionando en vacío además del tiempo de gatillo).

Declaración CE de conformidad

Para países europeos solamente

La declaración CE de conformidad está incluida como Anexo A de esta manual de instrucciones.

ADVERTENCIAS DE SEGURIDAD

Instrucciones de seguridad para la sopladora alimentada a batería

⚠ADVERTENCIA: Lea todas las advertencias de seguridad y todas las instrucciones. Si no sigue las advertencias e instrucciones podrá resultar en una descarga eléctrica, un incendio y/o heridas graves.

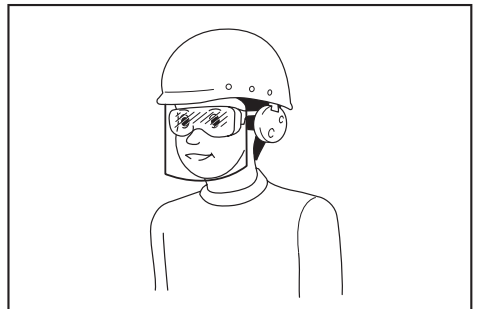
Guarde todas las advertencias e instrucciones para futuras referencias.

Capacitación

1. Lea las instrucciones atentamente. Familiarícese con los controles y el uso correcto de la sopladora.
2. No permita nunca que niños, personas con capacidades físicas, sensoriales o mentales reducidas o falta de experiencia y conocimiento o personas no familiarizadas con estas instrucciones utilicen la sopladora. Puede que los reglamentos locales restrinjan la edad del operario.
3. No opere nunca la sopladora mientras haya gente, especialmente niños o animales domésticos, cerca.
4. Tenga en cuenta que el operario o usuario es el responsable de los accidentes o riesgos ocasionados a otras personas o a sus propiedades.

Preparación

1. Póngase siempre calzado robusto y pantalones largos mientras opera la sopladora.
2. No se ponga ropa holgada o joyas que puedan ser atraídas hacia la entrada de aire. Mantenga el cabello largo alejado de las entradas de aire.
3. Póngase siempre gafas de protección para proteger sus ojos de heridas cuando utilice herramientas eléctricas. Las gafas de protección deben cumplir con las normas ANSI Z87.1 en los Estados Unidos de América, EN 166 en Europa, o AS/NZS 1336 en Australia/Nueva Zelanda. En Australia/Nueva Zelanda, se requiere, también, legalmente ponerse pantalla facial para proteger la cara.



Es una responsabilidad del empresario imponer a los operarios de la herramienta y a otras personas en las inmediaciones del área de trabajo el uso de equipos de protección de seguridad apropiados.

4. Para evitar irritación debida al polvo se recomienda ponerse una máscara.
5. Mientras esté operando la máquina, póngase siempre calzado antideslizante y de protección. Las botas y zapatos de seguridad antideslizantes cerrados reducirán el riesgo de heridas.
6. **Utilice equipo de protección personal. Póngase siempre protección para los ojos.** El equipo de protección como máscara contra el polvo, zapatos de seguridad antideslizantes, casco rígido y protección para los oídos utilizado en las condiciones apropiadas reducirá el riesgo de sufrir heridas personales.
7. **Inspeccione el cable antes de utilizar la máquina. Si el cable está dañado, pida al centro de servicio autorizado de Makita que le hagan la reparación.**
15. Si la sopladora golpea algún objeto extraño o si comenzase a hacer algún ruido o vibración inusual, apague inmediatamente la sopladora y deténgala. Retire la batería de la sopladora e inspeccione la sopladora por si está dañada antes de volver a encender y operar la sopladora. Si la sopladora está dañada, pida al centro de servicio autorizado de Makita que le hagan la reparación.
16. No inserte los dedos u otros objetos en la boca de succión o la salida de aire de la sopladora.
17. Evite las puestas en marcha involuntarias. Asegúrese de que el interruptor está en la posición desactivada antes de insertar la batería, y recoger o transportar la sopladora. Transportar la sopladora con el dedo en el interruptor o suministrar energía a la sopladora teniendo el interruptor activado es una invitación a accidentes.

Operación

1. **Use la sopladora y retire la batería y asegúrese de que todas las piezas móviles se han parado completamente**
 - siempre que deje la sopladora.
 - antes de despejar bloques.
 - antes de comprobar, limpiar o trabajar en la sopladora.
 - si la sopladora comienza a vibrar anormalmente.
2. Maneje la sopladora solamente en luz diurna o con buena luz artificial.
3. No trabaje donde no alcance y mantenga el equilibrio apropiado y los pies sobre suelo firme en todo momento.
4. Asegúrese siempre de que en pendientes apoya bien los pies.
5. Camine, nunca corra.
6. Mantenga todas las entradas de aire de refrigeración libres de desechos.
7. No sople nunca desechos en dirección de los transeúntes.
8. Utilice la sopladora adoptando una postura recomendada y sobre una superficie firme.
9. No utilice la sopladora en lugares altos.
10. No apunte nunca la boquilla hacia nadie en los alrededores cuando esté utilizando la sopladora.
11. **No bloquee nunca la boca de succión y/o la salida de aire de la sopladora.**
 - Tenga cuidado de no bloquear la boca de succión ni la salida de aire de la sopladora con polvo o suciedad cuando trabaje en una zona polvorienta.
 - No utilice boquillas distintas de las boquillas suministradas por Makita.
 - No utilice la sopladora para inflar balones, botes de goma o similares.
12. No opere la sopladora cerca de una ventana abierta, etc.
13. Se recomienda utilizar la sopladora solamente a horas razonables - no temprano por la mañana o tarde por la noche cuando la gente pueda ser molestada.
14. Se recomienda utilizar rastrillos y escobas para aflojar la suciedad antes de la sopladora.
18. No sople nunca materiales peligrosos, como clavos, fragmentos de cristal, o cuchillas.
19. No utilice la sopladora cerca de materiales inflamables.
20. Evite utilizar la sopladora durante largo tiempo en un entorno de baja temperatura.
21. No utilice la máquina cuando exista el riesgo de relámpagos.
22. Cuando utilice la máquina en suelo enlodado, pendiente mojada, o lugar resbaladizo, preste atención a donde pisa.
23. Evite trabajar en un entorno poco adecuado donde se espere que la fatiga del usuario aumente.
24. No utilice la máquina en mal tiempo donde la visibilidad es limitada. En caso contrario podrá ocasionar una caída u operación incorrecta debido a la poca visibilidad.
25. No sumerja la máquina en un charco.
26. Cuando se adhieran hojas mojadas o suciedad a la boca de succión (ventanilla de ventilación) debido a la lluvia, retírelas.

Mantenimiento y almacenamiento

1. Mantenga todas las tuercas, pernos y tornillos apretados para asegurarse de que la sopladora está en condiciones de trabajo seguras.
2. Si las piezas están desgastadas o dañadas, reemplácelas con piezas suministradas por Makita.
3. Almacene la sopladora en un lugar seco fuera del alcance de los niños.
4. Cuando detenga la sopladora para hacer una inspección, el servicio, guardarla, o para cambiar accesorios, apague la sopladora y asegúrese de que todas las partes móviles se han parado completamente, y retire la batería. Deje enfriar la sopladora antes de hacer cualquier trabajo en la sopladora. Haga con cuidado el mantenimiento a la sopladora y manténgala limpia.
5. Deje enfriar siempre la sopladora antes de almacenarla.
6. No exponga la sopladora a la lluvia. Guarde la sopladora en interiores.
7. Cuando levante la sopladora, asegúrese de doblar sus rodillas y tener cuidado de no dañarse la espalda.
8. No deje la máquina sin atender en exteriores en la lluvia.

9. **No lave la máquina con agua a mucha presión.**
10. **Cuando almacene la máquina, evite la luz solar directa y la lluvia, y almacénela en un lugar donde no se caliente o humedezca.**
11. **Realice la inspección o el mantenimiento en un lugar donde se pueda evitar la lluvia.**
12. **Después de utilizar la máquina, retire la suciedad adherida y seque la máquina completamente antes de almacenarla.** Dependiendo de la estación del año o el área, existe el riesgo de un mal funcionamiento debido a la congelación.
13. **No recoja ni transporte la máquina agarrando solo por el cable.**
7. **No moje el terminal de la batería con líquido tal como agua, ni sumerja la batería. No deje la batería en la lluvia, ni cargue, utilice, o almacene la batería en un lugar húmedo o mojado.** Si el terminal se moja o si entra líquido al interior de la batería, la batería podrá cortocircuitarse y existe el riesgo de recalentamiento, incendio, o explosión.
8. **Después de retirar la batería de la máquina o el cargador, asegúrese de colocar la tapa de la batería en la batería y guárdela en un lugar seco.**
9. **No reemplace la batería con las manos mojadas.**
10. **Si la batería se moja, retire el agua del interior y después límpiela con un paño seco. Seque la batería completamente en un lugar seco antes de utilizarla.**

Utilización y cuidado de la herramienta a batería

1. **Cargue la batería solamente con el cargador especificado por el fabricante.** Un cargador que es apropiado para un tipo de batería puede crear un riesgo de incendio cuando se utiliza con otra batería.
2. **Utilice las herramientas eléctricas solamente con las baterías designadas específicamente para ellas.** La utilización de cualquier otra batería puede crear un riesgo de heridas o incendio.
3. **Cuando la batería no esté siendo utilizada, guárdela alejada de otros objetos metálicos, como sujetapapeles, monedas, llaves, clavos, tornillos u otros objetos metálicos pequeños, que puedan hacer conexión entre un terminal y el otro.** Si se cortocircuitan entre sí los terminales de la batería podrán producirse quemaduras o un incendio.
4. **En condiciones abusivas, es posible que salga expulsado líquido de la batería; evite el contacto con él. Si se produce un contacto accidental, enjuague con agua. Si el líquido entra en los ojos, además de enjuagarlos, solicite asistencia médica.** El líquido expulsado de la batería puede ocasionar irritación y quemaduras.
5. **No utilice una batería o herramienta que esté dañada o modificada.** Las baterías dañadas o modificadas pueden comportarse de forma impredecible resultando en un incendio, explosión o riesgo de heridas.
6. **No exponga una batería o herramienta al fuego o a temperatura excesiva.** La exposición al fuego o a una temperatura superior a los 130 °C puede ocasionar una explosión.
7. **Siga todas las instrucciones de carga y no cargue la batería o la herramienta fuera del rango de temperatura especificado en las instrucciones.** Cargar incorrectamente o a temperaturas fuera del rango especificado puede dañar la batería y aumentar el riesgo de incendio.

Seguridad eléctrica y de la batería

1. **No deseché la batería(s) arrojándola al fuego.** La célula puede explotar. Compruebe los códigos locales por si hay instrucciones para el posible desecho especial.
2. **No abra o mutile la batería(s).** El electrolito liberado es corrosivo y puede ocasionar daño a los ojos o la piel. Puede ser tóxico si se traga.
3. **No cargue la batería bajo la lluvia, o en lugares mojados.**
4. **No cargue la batería en exteriores.**
5. **No maneje el cargador, incluida la clavija del cargador, y los terminales del cargador con las manos mojadas.**
6. **No reemplace la batería en la lluvia.**

Servicio

1. **Haga que su herramienta eléctrica sea servida por una persona de reparación cualificada utilizando solamente piezas de repuesto idénticas.** De esta forma la herramienta eléctrica seguirá siendo segura.
2. **No haga nunca el mantenimiento a baterías dañadas.** El mantenimiento de las baterías debe ser realizado solamente por el fabricante o proveedores de servicio autorizados.

GUARDE ESTAS INSTRUCCIONES.

⚠ADVERTENCIA: NO deje que la comodidad o familiaridad con el producto (a base de utilizarlo repetidamente) sustituya la estricta observancia de las normas de seguridad para el producto en cuestión.

El MAL USO o el no seguir las normas de seguridad establecidas en este manual de instrucciones podrá ocasionar graves heridas personales.

Instrucciones de seguridad importantes para el cartucho de batería

1. **Antes de utilizar el cartucho de batería, lea todas las instrucciones e indicaciones de precaución sobre (1) el cargador de baterías, (2) la batería, y (3) el producto con el que se utiliza la batería.**
2. **No desensamble ni manipule el cartucho de batería.** Podrá resultar en un incendio, calor excesivo, o una explosión.
3. **Si el tiempo de uso se acorta demasiado, cese la operación inmediatamente. Podrá resultar en un riesgo de recalentamiento, posibles quemaduras e incluso una explosión.**
4. **Si entra electrolito en sus ojos, aclárelos con agua limpia y acuda a un médico inmediatamente. Existe el riesgo de poder perder la vista.**
5. **No cortocircuite el cartucho de batería:**
 - (1) **No toque los terminales con ningún material conductor.**
 - (2) **Evite guardar el cartucho de batería en un cajón junto con otros objetos metálicos, como clavos, monedas, etc.**
 - (3) **No exponga el cartucho de batería al agua ni a la lluvia.**

Un cortocircuito en la batería puede producir una gran circulación de corriente, un recalentamiento, posibles quemaduras e incluso una rotura de la misma.

6. **No guarde ni utilice la herramienta y el cartucho de batería en lugares donde la temperatura pueda alcanzar o exceder los 50 °C.**
7. **Nunca incinere el cartucho de batería incluso en el caso de que esté dañado seriamente o ya no sirva en absoluto. El cartucho de batería puede explotar si se tira al fuego.**
8. **No clave, corte, aplaste, lance, deje caer el cartucho de batería, ni golpee contra un objeto duro el cartucho de batería.** Tal conducta podrá resultar en un incendio, calor excesivo, o una explosión.
9. **No utilice una batería dañada.**
10. **Las baterías de litio-ion contenidas están sujetas a los requisitos de la Legislación para Materiales Peligrosos.**
Para transportes comerciales, p.ej., por terceras personas y agentes de transportes, se deberán observar requisitos especiales para el empaquetado y etiquetado.
Para la preparación del artículo que se va a enviar, se requiere consultar con un experto en materiales peligrosos. Por favor, observe también la posibilidad de reglamentos nacionales más detallados.
Cubra con cinta aislante o enmascare los contactos expuestos y empaquete la batería de tal manera que no se pueda mover alrededor dentro del embalaje.
11. **Para desechar el cartucho de batería, retírelo de la herramienta y deséchelo en un lugar seguro. Siga los reglamentos locales referentes al desecho de la batería.**
12. **Utilice las baterías solamente con los productos especificados por Makita.** La instalación de las baterías en productos no compatibles puede resultar en un incendio, calor excesivo, explosión, o fuga de electrolito.
13. **Si la herramienta no va a ser utilizada durante un periodo de tiempo largo, la batería deberá ser retirada de la herramienta.**
14. **Durante y después de la utilización, el cartucho de batería podrá acumular calor, lo cual puede ocasionar quemaduras o quemaduras de baja temperatura. Preste atención al manejo de cartuchos de batería calientes.**
15. **No toque el terminal de la herramienta inmediatamente después de utilizar, dado que puede calentarse lo suficiente como para ocasionar quemaduras.**
16. **No permita que virutas, polvo, o tierra se adhieran dentro de los terminales, orificios, y ranuras del cartucho de batería.** Podría resultar en un mal rendimiento o rotura de la herramienta o el cartucho de batería.
17. **A menos que la herramienta pueda utilizarse cerca de cables eléctricos de alta tensión, no utilice el cartucho de batería cerca de cables eléctricos de alta tensión.** Podrá resultar en un mal funcionamiento o rotura de la herramienta o el cartucho de batería.
18. **Mantenga la batería alejada de los niños.**

GUARDE ESTAS INSTRUCCIONES.

⚠PRECAUCIÓN: Utilice solamente baterías genuinas de Makita. La utilización de baterías no genuinas de Makita, o baterías que han sido alteradas, puede resultar en una explosión de la batería ocasionando incendios, heridas personales y daños. También anulará la garantía de Makita para la herramienta y el cargador de Makita.

Consejos para alargar al máximo la vida de servicio de la batería

1. **Cargue el cartucho de batería antes de que se descargue completamente. Detenga siempre la operación y cargue el cartucho de batería cuando note menos potencia en la herramienta.**
2. **No cargue nunca un cartucho de batería que esté completamente cargado. La sobrecarga acortará la vida de servicio de la batería.**
3. **Cargue el cartucho de batería a temperatura ambiente de 10 °C - 40 °C. Si un cartucho de batería está caliente, déjelo enfriar antes de cargarlo.**
4. **Cuando no esté utilizando el cartucho de batería, retírelo de la herramienta o del cargador.**
5. **Cargue el cartucho de batería si no lo utiliza durante un periodo de tiempo prolongado (más de seis meses).**

MONTAJE

⚠PRECAUCIÓN: Asegúrese siempre de que la máquina está apagada y la unidad portátil de alimentación eléctrica ha sido desconectada de la máquina antes de realizar cualquier trabajo en la máquina.

Instalación de la boquilla final

Alinee la marca triangular de la boquilla final con la marca triangular del tubo delantero, después coloque la boquilla final en el tubo delantero, y después gire la boquilla final para bloquearla en su sitio. Instale la boquilla final de manera que la punta de la boquilla esté orientada hacia abajo. En función del entorno de trabajo, podrá instalar la boquilla final de manera que la punta de la boquilla esté orientada hacia arriba.

► **Fig.1:** 1. Marca triangular 2. Boquilla final 3. Tubo delantero

Para retirar la boquilla final, realice el procedimiento de instalación a la inversa.

NOTA: La longitud de la boquilla se puede cambiar moviendo la boquilla como se muestra en la figura.

► **Fig.2:** 1. Boquilla final 2. Tubo delantero

Instalación de la boquilla plana o la boquilla de extensión

Accesorio opcional

1. Alinee la ranura del tubo adaptador con la protuberancia del tubo delantero, después coloque el tubo adaptador en el tubo delantero, y después gírelo para bloquearlo en su sitio.

► **Fig.3:** 1. Tubo adaptador 2. Tubo delantero

2. Alinee la ranura de la boquilla plana o de la boquilla de extensión con la protuberancia del tubo adaptador, después coloque la boquilla plana o la boquilla de extensión en el tubo adaptador, y después gírela para bloquearla en su sitio.

► **Fig.4:** 1. Boquilla plana 2. Boquilla de extensión
3. Tubo adaptador

Instalación del juego de boquilla para canalones

Accesorio opcional

1. Alinee la ranura del tubo adaptador con la protuberancia del tubo delantero, después coloque el tubo adaptador en el tubo delantero, y después gírelo para bloquearlo en su sitio.

Inserte el tubo adaptador a fondo de manera que la protuberancia encaje en la ranura más profunda del tubo adaptador.

► **Fig.5:** 1. Tornillo 2. Abrazadera de manguera
3. Tubo adaptador 4. Tubo delantero

2. Afloje los tornillos de las abrazaderas de manguera, y pase la abrazadera de manguera grande a través del tubo adaptador, y después pase la abrazadera de manguera pequeña.

3. Conecte el tubo de extensión al tubo adaptador.

Alinee la ranura del tubo de extensión con la protuberancia del tubo adaptador, y después deslice el tubo de extensión a lo largo de su ranura de forma que las marcas triangulares estén unas frente a las otras.

► **Fig.6:** 1. Tubo de extensión 2. Tubo adaptador

4. Coloque las abrazaderas de manguera en las ranuras como se muestra en la ilustración y apriete los tornillos.

► **Fig.7:** 1. Tornillo 2. Abrazadera de manguera

5. De acuerdo con la altura de trabajo, conecte el resto de los tubos de extensión en el tubo de extensión que ya ha sido colocado.

⚠PRECAUCIÓN: No coloque el tubo de extensión si la longitud total incluyendo el cuerpo de la sopladora excede de 4 m.

6. Gire la salida de aire de la boquilla final como se muestra en la figura.

► **Fig.8**

7. Conecte la boquilla final en el tubo de extensión. Cuando haga la conexión, alinee las marcas triangulares de la boquilla final y del tubo de extensión, y después empuje la boquilla final hasta que produzca un chasquido. Después de eso, gire la boquilla final a una posición apropiada para su trabajo.

► **Fig.9:** 1. Boquilla final 2. Tubo de extensión
3. Marca triangular

Cuando retire la boquilla final, alinee las marcas triangulares de la boquilla final y del tubo de extensión, y después extraiga la boquilla final del tubo de extensión.

► **Fig.10:** 1. Boquilla final 2. Tubo de extensión
3. Marca triangular

DESCRIPCIÓN DEL FUNCIONAMIENTO

⚠PRECAUCIÓN: Asegúrese siempre de que la máquina está apagada y la unidad portátil de alimentación eléctrica ha sido desconectada de la máquina antes de ajustar o comprobar la función de la máquina.

Sistema de protección de la máquina/batería

La máquina está equipada con un sistema de protección de la máquina/batería. Este sistema corta automáticamente la alimentación al motor para alargar la vida útil de la máquina y la batería. La máquina se detendrá automáticamente durante la operación si la máquina o la batería es puesta en una de las condiciones siguientes:

Protección contra sobrecarga

Cuando la máquina o la batería sea utilizada de una manera que dé lugar a que tenga que absorber una corriente anormalmente alta, la máquina se detendrá automáticamente y la lámpara de alimentación principal de la máquina parpadeará en verde. En esta situación, apague la máquina y detenga la tarea que ocasiona la sobrecarga de la máquina. Después encienda la máquina para volver a empezar.

Protección contra el recalentamiento

Cuando la máquina o la batería se recalienta, la máquina se detiene automáticamente. Cuando la máquina se recalienta, la lámpara de alimentación principal de la máquina se ilumina en rojo. Cuando la batería se recalienta, la lámpara de alimentación principal de la máquina parpadeará en rojo. Deje que la máquina y la batería se enfríen antes de encender la máquina otra vez.

Protección contra descarga excesiva

Cuando la capacidad de batería no sea suficiente, la máquina se detendrá automáticamente y la lámpara de alimentación principal de la máquina parpadeará en rojo. En este caso, retire la batería de la máquina y cargue la batería o cambie la batería con una completamente cargada.

Interruptor de alimentación principal

⚠ADVERTENCIA: Desactive siempre el interruptor de alimentación principal cuando la herramienta no esté siendo utilizada.

Para encender la máquina, presione el interruptor de alimentación principal. La lámpara de alimentación principal se ilumina en verde. Para apagar, presione el interruptor de alimentación principal otra vez.

► **Fig.11:** 1. Lámpara de alimentación principal
2. Interruptor de alimentación principal

NOTA: Esta máquina emplea la función de desconexión automática de la alimentación. Para evitar una puesta en marcha involuntaria, el interruptor de alimentación principal se inhabilitará automáticamente cuando no se apriete el gatillo interruptor durante un cierto periodo de tiempo después de activar el interruptor de alimentación principal.

NOTA: Si presiona el interruptor de alimentación principal cuando la palanca de control no ha sido devuelta completamente a la posición desactivada, o mientras aprieta el gatillo interruptor, la lámpara de alimentación principal parpadeará en verde. En este caso, retorne completamente la palanca de control, o libere el gatillo interruptor, y después presione el interruptor de alimentación principal.

Accionamiento del interruptor

⚠ADVERTENCIA: Antes de conectar la unidad portátil de alimentación eléctrica a la máquina, compruebe siempre para ver que el gatillo interruptor se acciona debidamente y que vuelve a la posición “desactivada” cuando se libera.

Para poner en marcha la máquina, simplemente apriete el gatillo interruptor. La velocidad incrementa aumentando la presión en el gatillo interruptor. Suelte el gatillo interruptor para parar.

► **Fig.12:** 1. Gatillo interruptor

Puede utilizar la máquina en el modo turbo. En el modo turbo, el volumen de aire es mayor que en el modo normal. Para utilizar la máquina en el modo turbo, apriete el gatillo interruptor hasta que se detenga en la posición intermedia, y después apriételo completamente.

► **Fig.13:** 1. Gatillo interruptor

NOTA: En función de las condiciones de uso, la utilización del modo turbo estará restringida para proteger la máquina. Si la lámpara de alimentación principal de la máquina parpadea en verde cuando presiona completamente el gatillo interruptor o mientras está utilizando la máquina en el modo turbo, el modo turbo no estará disponible.

NOTA: El modo turbo no está disponible girando la palanca de control.

Función de velocidad de cruceo

La función de velocidad de cruceo permite al usuario mantener una velocidad constante sin apretar el gatillo. Para aumentar la velocidad, gire la palanca de control hacia adelante. Para reducir la velocidad, gire la palanca de control hacia atrás.

► **Fig.14:** 1. Palanca de control

Función de prevención de reinicio de puesta en marcha accidental

Aunque conecte la unidad portátil de alimentación eléctrica a la máquina mientras aprieta el gatillo interruptor, la máquina no se pondrá en marcha. Para poner en marcha la máquina, primero suelte el gatillo interruptor y retorne la palanca de control completamente, y después apriete el gatillo interruptor.

OPERACIÓN

Conexión de la unidad portátil de alimentación eléctrica

⚠PRECAUCIÓN: Cuando utilice la máquina en combinación con el suministro de alimentación tipo mochila tal como una unidad portátil de alimentación eléctrica, utilice la cinta colgante incluida en el paquete de la máquina o la cinta colgante recomendada por Makita.

Si se pone un arnés de hombro no recomendado por Makita y el arnés de hombro del suministro de alimentación tipo mochila al mismo tiempo, le resultará difícil quitarse la máquina o el suministro de alimentación tipo mochila en caso de una emergencia, y esto podrá ocasionar un accidente o heridas. Para la cinta colgante recomendada, pregunte en centros de servicio autorizados de Makita.

⚠PRECAUCIÓN: Antes de la operación, asegúrese de que la hebilla de la correa de cintura está bloqueada y la máquina está colocada firmemente en el gancho de la cinta colgante.

⚠PRECAUCIÓN: Para evitar una puesta en marcha involuntaria, asegúrese de que la máquina y la unidad portátil de alimentación eléctrica están apagadas antes de comenzar este procedimiento.

⚠PRECAUCIÓN: Antes de realizar este procedimiento, termine los ajustes de la correa de cintura y del arnés de hombro. Consulte el manual de instrucciones de la unidad portátil de alimentación eléctrica para ver detalles.

Para PDC1200

⚠PRECAUCIÓN: Cuando retire la batería, presione el botón de bloqueo mientras sujeta el asa firmemente. Antes de retirar la batería, ponga la correa de cintura en la posición más baja.

► **Fig.15:** 1. Asa 2. Botón de bloqueo

⚠PRECAUCIÓN: Tenga cuidado de no pillarse los dedos o los pulgares entre la batería y la placa de base cuando coloque la batería.

⚠PRECAUCIÓN: Asegúrese de que la batería está fijada firmemente en la placa de base. De lo contrario, la batería se podrá caer cuando se ponga la unidad o utilice la unidad, y ocasionar heridas. Si puede ver el indicador rojo como se muestra en la figura, la batería no estará bloqueada completamente.

► **Fig.16:** 1. Indicador rojo

Para PDC01

NOTA: Antes de realizar este procedimiento, instale el cartucho (o los cartuchos) de batería en la unidad portátil de alimentación eléctrica. Consulte el manual de instrucciones de la unidad portátil de alimentación eléctrica para ver detalles.

1. Extraiga el cable del lado izquierdo o derecho de la batería.

Para PDC1200

Retire la batería de la placa de base, y después extraiga el cable del lado izquierdo o derecho de la batería, y después coloque la batería en la placa de base. Cuando extraiga el cable, asegúrese de poner el cable en los sujetadores como se muestra en la figura.

► Fig.17: 1. Cable 2. Sujetador

Para PDC01

Cuando extraiga el cable, asegúrese de poner el cable en los sujetadores como se muestra en la figura.

► Fig.18: 1. Cable 2. Sujetador

2. Coloque el cable en los sujetables.

► Fig.19: 1. Sujetables

3. Coloque los ganchos de la cinta colgante en las anillas del arnés de hombro y de la correa de cintura.

► Fig.20: 1. Anilla 2. Gancho

4. Presione el botón de alimentación de la unidad portátil de alimentación eléctrica. La lámpara de alimentación principal se iluminará.

Para PDC1200

► Fig.21: 1. Botón de alimentación 2. Lámpara de alimentación principal

Para PDC01

► Fig.22: 1. Botón de alimentación 2. Lámpara de alimentación principal

5. Póngase el arnés de hombro de la unidad portátil de alimentación eléctrica y bloquee la hebilla de la correa de cintura.

► Fig.23

6. Coloque el arnés de hombro en la máquina utilizando el gancho de la cinta colgante. Asegúrese de enganchar el colgador de la máquina.

► Fig.24: 1. Gancho 2. Colgador

Ajuste la longitud de la cinta para colgar como sea necesario.

► Fig.25

7. Inserte el enchufe macho de la máquina en el enchufe hembra de la unidad portátil de alimentación eléctrica.

Cuando inserte, alinee la marca triangular de ambos, el enchufe macho y el enchufe hembra.

► Fig.26: 1. Enchufe macho 2. Enchufe hembra 3. Marca triangular

8. Presione el interruptor de alimentación principal para encender la máquina.

La máquina está lista para utilizar. La máquina se pondrá en marcha cuando apriete el gatillo interruptor.

► Fig.27: 1. Interruptor de alimentación principal

NOTA: También puede utilizar la cinta colgante como se muestra en la figura.

► Fig.28

Ajuste la longitud de la cinta para colgar como sea necesario.

► Fig.29

Operación de la sopladora

PRECAUCIÓN: No ponga la máquina en el suelo mientras está encendida. Podría entrar arena o polvo por la boca de succión y ocasionar un mal funcionamiento o heridas personales.

Sujete la máquina firmemente con una mano y realice la operación de soplado moviéndola alrededor despacio. Cuando sople alrededor de un edificio, una piedra grande o un vehículo, dirija la boquilla en dirección alejada de ellos. Cuando realice una operación en una esquina, comience por la esquina y después muévase a un área amplia.

► Fig.30

Cuando vaya a poner la máquina en el suelo, desbloquee la hebilla de la cinta colgante con una mano mientras sujeta la máquina con la otra mano.

► Fig.31: 1. Hebilla

► Fig.32: 1. Hebilla

Cuando ponga la máquina y la unidad portátil de alimentación eléctrica en el suelo al mismo tiempo, desbloquee la hebilla de la correa de cintura, y después ponga la máquina y la unidad en el suelo.

► Fig.33: 1. Hebilla

NOTA: Cuando desbloquee la hebilla, presione las pinzas en ambos costados de la hebilla. Cuando bloquee la hebilla, inserte las pinzas hasta que se bloqueen.

► Fig.34: 1. Pinza

Utilización del juego de boquilla para canalones

PRECAUCIÓN: Cuando utilice el juego de boquilla para canalones, no utilice la máquina en el modo turbo. Podría perder el equilibrio y esto podría ocasionar un accidente ya que el volumen de aire es mayor en el modo turbo.

PRECAUCIÓN: Cuando utilice el juego de boquilla para canalones, no sujete la sopladora con una sola mano, sino con ambas manos.

► Fig.35

PRECAUCIÓN: No utilice el juego de boquilla para canalones cerca de cables eléctricos.

► Fig.36

PRECAUCIÓN: No utilice el juego de boquilla para canalones en días de mucho viento.

► Fig.37

PRECAUCIÓN: Cuando utilice el juego de boquilla para canalones, mantenga a otras personas y animales alejados a más de 15 m de la sopladora.

► Fig.38

Sujete la sopladora en posición vertical agarrando la sopladora por el asidero. Coloque la salida de aire de la sopladora en el canalón y después encienda la sopladora.

► Fig.39

MANTENIMIENTO

⚠PRECAUCIÓN: Asegúrese siempre de que la máquina está apagada y la unidad portátil de alimentación eléctrica ha sido desconectada de la máquina antes de intentar realizar una inspección o mantenimiento.

Para mantener la SEGURIDAD y FIABILIDAD del producto, las reparaciones, y cualquier otra tarea de mantenimiento o ajuste deberán ser realizadas en centros de servicio o de fábrica autorizados por Makita, empleando siempre repuestos Makita.

Limpeza de la máquina

Limpe la máquina quitando el polvo con un paño seco o uno sumergido en agua jabonosa y escurrido.

► Fig.40

AVISO: No utilice nunca gasolina, bencina, disolvente, alcohol o similares. Podría producir descoloración, deformación o grietas.

Retire el polvo o la suciedad de la boca de succión en la parte trasera de la máquina.

► Fig.41: 1. Boca de succión

Almacenamiento

Antes de guardar la máquina, desconecte la unidad portátil de alimentación eléctrica de la máquina, y realice un mantenimiento completo. Guarde la máquina en un lugar fuera del alcance de los niños y no expuesto a humedad, lluvia, ni luz solar directa.

El agujero para gancho de la parte inferior de la máquina resulta útil para colgar la máquina en un clavo o tornillo en la pared.

► Fig.42: 1. Agujero

SOLUCIÓN DE PROBLEMAS

Antes de solicitar reparaciones, realice su propia inspección en primer lugar. Si encuentra un problema que no está explicado en el manual, no intente desmontar la máquina. En su lugar, pregunte en los centros de servicio autorizados de Makita, utilizando siempre piezas de repuesto de Makita para la reparación.

Estado de anomalía	Causa probable (mal funcionamiento)	Remedio
El motor no se pone en marcha.	La batería no está instalada.	Instale la batería.
	Problema de batería (poca tensión)	Recargue la batería. Si la recarga no se realiza efectivamente, reemplace la batería.
	El sistema de accionamiento no funciona correctamente.	Pida a su centro de servicio autorizado local que le hagan la reparación.
El motor se para después de usarlo un poco.	El nivel de carga de la batería es bajo.	Recargue la batería. Si la recarga no se realiza efectivamente, reemplace la batería.
	Recalentamiento.	Deje de utilizar la máquina para permitir que se enfríe.
La máquina no alcanza la velocidad máxima.	La batería está instalada incorrectamente.	Instale la batería como se describe en este manual.
	La potencia de la batería está cayendo.	Recargue la batería. Si la recarga no se realiza efectivamente, reemplace la batería.
	El sistema de accionamiento no funciona correctamente.	Pida a su centro de servicio autorizado local que le hagan la reparación.
Vibración anormal: ⇒ ¡detenga la máquina inmediatamente!	El sistema de accionamiento no funciona correctamente.	Pida a su centro de servicio autorizado local que le hagan la reparación.
El motor no se puede parar: ⇒ ¡Retire la batería inmediatamente!	Mal funcionamiento eléctrico o electrónico.	Retire la batería y pida a su centro de servicio autorizado local que le hagan la reparación.

ACCESORIOS OPCIONALES

⚠PRECAUCIÓN: Estos accesorios o aditamentos están recomendados para utilizar con su producto Makita especificado en este manual. La utilización de cualquier otro accesorio o aditamento puede presentar un riesgo de heridas a personas. Solamente utilice el accesorio o aditamento para su fin específico.

Si necesita cualquier ayuda para más detalles en relación con estos accesorios, pregunte al centro de servicio Makita local.

- Tubo adaptador
- Boquilla de extensión

- Boquilla plana
- Juego de boquilla para canalones
- Conjunto de la cinta
- Batería y cargador genuinos de Makita

NOTA: Algunos elementos de la lista podrán estar incluidos en el paquete del producto como accesorios estándar. Pueden variar de un país a otro.

ESPECIFICAÇÕES

Modelo:		UB001C
Capacidades	Volume de ar	0 - 17,6 m ³ /min
	Velocidade do ar (média)	0 - 58,0 m/s
	Velocidade do ar (máx.)	0 - 70,0 m/s
Comprimento geral (com bocal final)		960 mm / 1.010 mm / 1.060 mm
Tensão nominal		C.C. 36 V - 40 V máx.
Peso líquido		2,6 - 2,9 kg
Grau de proteção		IPX4

- Devido a um programa contínuo de pesquisa e desenvolvimento, estas especificações estão sujeitas a alteração sem aviso prévio.
- As especificações podem variar de país para país.
- Peso de acordo com o Procedimento EPTA 01/2014









Adaptador de baterias tipo mochila aplicável

PDC1200 / PDC01

⚠AVISO: Utilize apenas os adaptadores de baterias tipo mochila listados acima. A utilização de quaisquer outros adaptadores de baterias tipo mochila pode causar ferimentos e/ou um incêndio.

Símbolos

A seguir são apresentados os símbolos que podem ser utilizados para o equipamento. Certifique-se de que compreende o seu significado antes da utilização.

	Tenha especial cuidado e atenção.
	Leia o manual de instruções.
	Mantenha as mãos afastadas de peças rotativas.
	O cabelo comprido pode provocar acidentes por ficar enredado.
	Mantenha os espetadores afastados.
	Utilizar proteção ocular e auditiva.
	Não expor a humidade.
	Apenas para países da UE Não elimine equipamentos elétricos ou baterias juntamente com o material residual doméstico! Em cumprimento com as Diretivas Europeias relativas aos resíduos de equipamentos elétricos e eletrónicos e pilhas e acumuladores e baterias e acumuladores e resíduos de pilhas e acumuladores e a sua implementação de acordo com as leis nacionais, o equipamento elétrico e as baterias e pacote(s) de bateria(s) que atingiram o fim de vida têm de ser recolhidos separadamente e devolvidos a instalações de reciclagem compatíveis a nível ambiental.

Utilização a que se destina

A máquina serve para soprar pó.

Ruído

A característica do nível de ruído A determinado de acordo com a EN50636-2-100:

Nível de pressão acústica (L_{pA}): 83,4 dB (A)

Variabilidade (K): 2,2 dB (A)

Nível de potência acústica (L_{WA}): 91,4 dB (A)

Variabilidade (K): 2,5 dB (A)

NOTA: O(s) valor(es) da emissão de ruído indicado(s) foi medido de acordo com um método de teste padrão e pode ser utilizado para comparar duas ferramentas.

NOTA: O(s) valor(es) da emissão de ruído indicado(s) pode também ser utilizado na avaliação preliminar da exposição.

⚠AVISO: Utilize protetores auriculares.

⚠AVISO: A emissão de ruído durante a utilização real da ferramenta elétrica pode diferir do(s) valor(es) indicado(s), dependendo das formas como a ferramenta é utilizada, especialmente o tipo de peça de trabalho que é processada.

⚠AVISO: Certifique-se de identificar as medidas de segurança para proteção do operador que sejam baseadas em uma estimativa de exposição em condições reais de utilização (considerando todas as partes do ciclo de operação, tal como quando a ferramenta está desligada e quando está a funcionar em marcha lenta além do tempo de acionamento).

Vibração

Valor total da vibração (soma vetorial tri-axial) determinado de acordo com a EN50636-2-100:

Modo de trabalho: funcionamento sem carga

Emissão de vibração (a_{hv}): 2,5 m/s² ou menos

Variabilidade (K): 1,5 m/s²

NOTA: O(s) valor(es) total(ais) de vibração indicado(s) foi medido de acordo com um método de teste padrão e pode ser utilizado para comparar duas ferramentas.

NOTA: O(s) valor(es) total(ais) de vibração indicado(s) pode também ser utilizado na avaliação preliminar da exposição.

⚠️ AVISO: A emissão de vibração durante a utilização real da ferramenta elétrica pode diferir do(s) valor(es) indicado(s), dependendo das formas como a ferramenta é utilizada, especialmente o tipo de peça de trabalho que é processada.

⚠️ AVISO: Certifique-se de identificar as medidas de segurança para proteção do operador que sejam baseadas em uma estimativa de exposição em condições reais de utilização (considerando todas as partes do ciclo de operação, tal como quando a ferramenta está desligada e quando está a funcionar em marcha lenta além do tempo de acionamento).

Declaração de conformidade da CE

Apenas para os países europeus

A declaração de conformidade da CE está incluída como Anexo A neste manual de instruções.

AVISOS DE SEGURANÇA

Instruções de segurança do soprador a bateria

⚠️ AVISO: Leia todos os avisos de segurança e todas as instruções. O não cumprimento de todos os avisos e instruções pode originar choque elétrico, incêndio e/ou ferimentos graves.

Guarde todos os avisos e instruções para futuras referências.

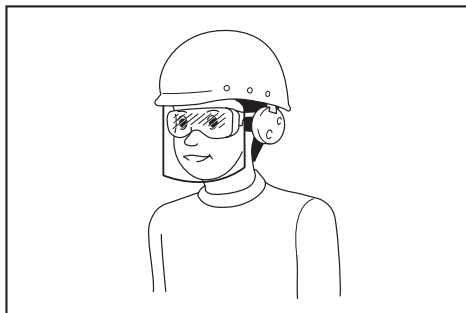
Formação

1. Leia atentamente o manual de instruções. Familiarize-se com os controlos e a utilização correta do soprador.
2. Nunca permita que crianças, pessoas com capacidades físicas, sensoriais ou mentais reduzidas ou falta de experiência e conhecimento ou pessoas não familiarizadas com estas instruções utilizem o soprador. Os regulamentos locais poderão limitar a idade do operador.
3. Nunca opere o soprador na presença próxima de pessoas, especialmente crianças, ou animais de estimação.
4. Tenha em mente que o operador ou utilizador é responsável por acidentes ou perigos que ocorram a outras pessoas ou à respetiva propriedade.

Preparação

1. Use sempre calçado resistente e calças compridas durante a operação do soprador.
2. Não use vestuário largo ou peças de joalharia que possam ser atirados para a entrada de ar. Afaste o cabelo comprido das entradas de ar.

3. Use sempre óculos de proteção para proteger os seus olhos contra lesões quando utilizar ferramentas elétricas. Os óculos de proteção devem cumprir os requisitos da ANSI Z87.1 nos EUA, EN 166 na Europa ou AS/NZS 1336 na Austrália/Nova Zelândia. Na Austrália/Nova Zelândia, é legalmente obrigatório o uso de um protetor facial para proteger o seu rosto também.



Cabe ao empregador a responsabilidade de impor o uso de equipamentos de proteção e segurança apropriados por parte dos operadores de ferramentas e por parte de outras pessoas na área de trabalho imediata.

4. Para evitar irritação ao pó recomenda-se o uso de uma máscara respiratória.
5. Use sempre calçado antiderrapante e de proteção enquanto utiliza a máquina. As botas e sapatos de proteção antideslizantes e com biqueira fechada reduzem o risco de lesão.
6. Utilize equipamento de proteção pessoal. Use sempre óculos de proteção. Os equipamentos de proteção, como uma máscara contra a poeira, calçado de segurança antiderrapante, capacete ou proteção auricular utilizados para as condições adequadas, reduzirão os ferimentos pessoais.
7. Inspeccione o cabo antes de utilizar a máquina. Se o cabo estiver danificado, solicite a reparação nos centros de assistência autorizados da Makita.

Operação

1. Desligue o soprador e remova a bateria, e assegure que todas as peças móveis param completamente
 - sempre que deixa o soprador.
 - antes de desimpedir bloqueios.
 - antes de verificar, limpar ou trabalhar no soprador.
 - se o soprador começar a vibrar de forma invulgar.
2. Opere o soprador só durante o dia ou com boa iluminação artificial.
3. Não tente esticar-se para chegar a locais difíceis e mantenha o equilíbrio e posicionamento apropriados constantes.
4. Mantenha-se sempre numa posição segura e firme ao trabalhar em declives.
5. Caminhe, nunca corra.
6. Mantenha todas as entradas de ar de arrefecimento livres de resíduos.

7. Nunca sobre resíduos na direção dos espetadores.
8. Opere o soprador numa posição recomendada e numa superfície firme.
9. Não opere o soprador em lugares altos.
10. Nunca aponte o bocal para as pessoas nas imediações quando utilizar o soprador.
11. Nunca bloqueie a entrada de sucção e/ou a saída do soprador.
 - Tenha cuidado para não bloquear a entrada de sucção ou a saída do soprador com pó ou sujidade quando operar numa área poeirenta.
 - Não utilize bocais diferentes dos bocais fornecidos pela Makita.
 - Não utilize o soprador para inflar bolas, barcos de borracha ou objetos similares.
12. Não opere o soprador perto de janelas abertas, etc.
13. Recomenda-se operar o soprador apenas a horas aceitáveis - não de manhã cedo nem tarde à noite para não perturbar as pessoas.
14. Recomendamos a utilização de ancinhos e vassouras para soltar os resíduos antes de soprá-los.
15. Se o soprador bater em objetos estranhos ou se começar a fazer ruídos incomuns ou vibração, desligue imediatamente o soprador para parar essas situações. Retire a bateria do soprador e inspecione o soprador quanto a danos antes de reiniciar e operar o soprador. Se o soprador estiver danificado, peça a reparação no centro de assistência autorizado da Makita.
16. Não insira os dedos ou outros objetos na entrada de sucção ou na saída do soprador.
17. Evite o arranque não intencional. Assegure que o interruptor está na posição de desligado antes de inserir a bateria, pegar no soprador ou transportá-lo. Transportar o soprador com o dedo no interruptor ou alimentar o soprador que tem o interruptor ligado é propício a acidentes.
18. Nunca sobre materiais perigosos, tais como pregos, fragmentos de vidro ou lâminas.
19. Não utilize o soprador perto de materiais inflamáveis.
20. Evite utilizar o soprador durante muito tempo num ambiente de baixa temperatura.
21. Não utilize a máquina quando existe o risco de relâmpagos.
22. Quando utilizar a máquina em terreno lamacento, declives húmidos ou local escorregadio, preste atenção ao seu posicionamento.
23. Evite trabalhar num ambiente adverso no qual se preveja um aumento da fadiga do utilizador.
24. Não utilize a máquina em más condições atmosféricas, nas quais a visibilidade seja limitada. Caso contrário, pode ocorrer a queda ou a operação incorreta devido a baixa visibilidade.
25. Não submerja a máquina numa poça.
26. Quando folhas molhadas ou sujidade aderirem à boca de sucção (janela de ventilação) devido a chuva, remova-as.

Manutenção e armazenamento

1. Mantenha todas as porcas, pernos e parafusos apertados para assegurar que o soprador está em condições de trabalho seguras.
2. Se as peças estiverem gastas ou danificadas, substitua-as por peças fornecidas pela Makita.
3. Guarde o soprador num local seco fora do alcance das crianças.
4. Quando parar o soprador para inspeção, manutenção, armazenamento ou substituição de um acessório, desligue o soprador e certifique-se de que todas as peças móveis param completamente, e retire a bateria. Arrefeça o soprador antes de realizar qualquer trabalho no mesmo. Mantenha o soprador com cuidado e limpo.
5. Arrefeça sempre o soprador antes de guardá-lo.
6. Não exponha o soprador à chuva. Guarde o soprador num local interior.
7. Quando elevar o soprador, certifique-se de que dobra os joelhos e tenha cuidado para não magoar as costas.
8. Não deixe a máquina sem supervisão no exterior à chuva.
9. Não lave a máquina com água a alta pressão.
10. Quando guardar a máquina, evite a luz solar direta e a chuva e guarde-a num local onde não fique quente ou húmido.
11. Realize a inspeção ou a manutenção num local no qual possa evitar-se a chuva.
12. Após utilizar a máquina, remova a sujidade aderida e seque a máquina completamente antes de guardá-la. Dependendo da estação do ano ou da área, existe um risco de avaria devido a congelamento.
13. Não recolha nem transporte a máquina segurando apenas pelo cabo.

Utilização e cuidados com a ferramenta a bateria

1. Recarregue apenas com o carregador especificado pelo fabricante. Um carregador adequado para um tipo de bateria pode criar um risco de incêndio quando utilizado com outra bateria.
2. Utilize as ferramentas elétricas apenas com as baterias especificamente designadas. A utilização de uma bateria diferente pode criar um risco de ferimentos e de incêndio.
3. Quando a bateria não está a ser utilizada, mantenha-a afastada de outros objetos metálicos, como cliques, moedas, chaves, pregos, parafusos ou outros objetos metálicos pequenos que possam fazer a ligação entre os dois terminais. Colocar os terminais da bateria em curto-circuito um com o outro pode provocar queimaduras ou um incêndio.
4. Em condições abusivas, o líquido pode ser ejetado da bateria; evite o contacto com o mesmo. Se ocorrer um contacto accidental, lave com água. Se o líquido entrar em contacto com os olhos, procure também assistência médica. O líquido ejetado da bateria pode provocar irritações ou queimaduras.
5. Não utilize um conjunto de baterias ou uma ferramenta que se encontrem danificadas ou modificadas. As baterias danificadas ou modificadas poderão exibir um comportamento imprevisível, resultando em incêndio, explosão ou risco de lesão.

Instruções de segurança importantes para a bateria

6. **Não exponha um conjunto de baterias ou uma ferramenta a incêndio ou temperatura excessiva.** A exposição a incêndio ou a uma temperatura superior a 130 °C poderá causar uma explosão.
7. **Siga todas as instruções de carregamento e não carregue o conjunto de baterias ou ferramenta fora da amplitude de temperaturas especificada nas instruções.** O carregamento impróprio ou a temperaturas fora da amplitude especificada poderá danificar a bateria e aumentar o risco de incêndio.

Segurança elétrica e da bateria

1. **Não elimine a(s) bateria(s) no fogo.** A célula pode explodir. Verifique com os códigos locais as possíveis instruções de eliminação especiais.
2. **Não abra nem mutile a(s) bateria(s).** O eletrólito libertado é corrosivo e pode provocar danos nos olhos ou na pele. Pode ser tóxico se for engolido.
3. **Não carregue a bateria sob chuva ou em locais húmidos.**
4. **Não carregue a bateria ao ar livre.**
5. **Não toque no carregador, incluindo a ficha do carregador e os terminais do carregador, com as mãos molhadas.**
6. **Não substitua a bateria à chuva.**
7. **Não molhe o terminal da bateria com líquido, tal como água, nem submerja a bateria. Não deixe a bateria à chuva nem carregue, utilize ou guarde a bateria num local húmido ou molhado.** Se o terminal ficar molhado ou entrar líquido para a bateria, a bateria pode entrar em curto-circuito e existe um risco de sobreaquecimento, incêndio ou explosão.
8. **Após remover a bateria da máquina ou do carregador, certifique-se de que prende a tampa da bateria à bateria e guarde-a num local seco.**
9. **Não substitua a bateria com as mãos molhadas.**
10. **Se a bateria ficar húmida, drene a água no interior e, em seguida, limpe-a com um pano seco. Seque a bateria completamente num local seco antes de utilizá-la.**

Assistência

1. **A ferramenta elétrica deve receber assistência por parte de pessoal qualificado que utilize apenas peças de substituição idênticas.** Isto garantirá que a segurança da ferramenta elétrica é mantida.
2. **Nunca repare conjuntos de baterias danificados.** A reparação de conjuntos de baterias apenas deve ser realizada pelo fabricante ou por prestadores de serviços autorizados.

GUARDE ESTAS INSTRUÇÕES.

⚠️ AVISO: NÃO permita que o conforto ou a familiaridade com o produto (adquirido com o uso repetido) substitua a adesão estrita às regras de segurança da ferramenta.

A MÁ INTERPRETAÇÃO ou o não seguimento das regras de segurança estabelecidas neste manual de instruções pode causar danos pessoais graves.

1. **Antes de utilizar a bateria, leia todas as instruções e etiquetas de precaução no (1) carregador de bateria (2) bateria e (3) produto que utiliza a bateria.**
2. **Não desmonte ou manipule a bateria.** Pode resultar num incêndio, em calor excessivo ou numa explosão.
3. **Se o tempo de funcionamento se tornar excessivamente curto, pare o funcionamento imediatamente. Pode resultar em sobreaquecimento, possíveis queimaduras e mesmo explosão.**
4. **Se entrar eletrólito nos seus olhos, lave-os com água e consulte imediatamente um médico. Pode resultar em perda de visão.**
5. **Não coloque a bateria em curto-circuito:**
 - (1) **Não toque nos terminais com qualquer material condutor.**
 - (2) **Evite guardar a bateria juntamente com outros objetos metálicos tais como pregos, moedas, etc.**
 - (3) **Não exponha a bateria à água ou chuva. Um curto-circuito pode ocasionar um enorme fluxo de corrente, sobreaquecimento, possíveis queimaduras e mesmo estragar-se.**
6. **Não guarde nem utilize a ferramenta e a bateria em locais onde a temperatura pode atingir ou exceder 50 °C.**
7. **Não queime a bateria mesmo que esteja estragada ou completamente gasta. A bateria pode explodir no fogo.**
8. **Não pree, corte, esmague, atire, deixe cair a bateria, nem bata a bateria contra um objeto rijo.** Esta conduta pode resultar num incêndio, em calor excessivo ou numa explosão.
9. **Não utilize uma bateria danificada.**
10. **As baterias de íões de lítio contidas na ferramenta são sujeitas aos requisitos da DGL (Dangerous Goods Legislation - Legislação de bens perigosos).** Para o transporte comercial, por exemplo, por terceiros ou agentes de expedição, têm de ser observados os requisitos referentes à embalagem e etiquetagem. Para preparação do artigo a ser expedido, é necessário consultar um perito em materiais perigosos. Tenha ainda em conta a possibilidade de existirem regulamentos nacionais mais detalhados. Coloque fita-cola ou tape os contactos abertos e embale a bateria de tal forma que não possa mover-se dentro da embalagem.
11. **Quando eliminar a bateria, remova-a da ferramenta e elimine-a num local seguro. Siga os regulamentos locais relacionados com a eliminação de baterias.**
12. **Utilize as baterias apenas com os produtos especificados pela Makita.** Instalar as baterias em produtos não-conformes poderá resultar num incêndio, calor excessivo, explosão ou fuga de eletrólito.
13. **Se a ferramenta não for utilizada durante um período de tempo prolongado, a bateria deve ser removida da ferramenta.**
14. **Durante e após a utilização, a bateria pode aquecer, o que pode provocar queimaduras ou queimaduras a baixa temperatura. Preste atenção ao manuseamento de baterias quentes.**

15. Não toque no terminal da ferramenta imediatamente após a utilização, pois pode ficar suficientemente quente para provocar queimaduras.
16. Não permita a adesão de aparas, pó ou sujidade nos terminais, nos orifícios e nas ranhuras da bateria. Pode resultar no fraco desempenho ou na avaria da ferramenta ou bateria.
17. A menos que a ferramenta suporte a utilização perto de linhas elétricas de alta tensão, não utilize a bateria perto de linhas elétricas de alta tensão. Pode resultar no mau funcionamento ou na avaria da ferramenta ou bateria.
18. Mantenha a bateria afastada das crianças.

GUARDE ESTAS INSTRUÇÕES.

⚠️PRECAUÇÃO: Utilize apenas baterias genuínas da Makita. A utilização de baterias não genuínas da Makita ou de baterias que foram alteradas, pode resultar no rebentamento da bateria provocando incêndios, ferimentos pessoais e danos. Além disso, anulará da garantia da Makita no que se refere à ferramenta e ao carregador Makita.

Conselhos para manter a máxima vida útil da bateria

1. Carregue a bateria antes que esteja completamente descarregada. Pare sempre o funcionamento da ferramenta e carregue a bateria quando notar menos poder na ferramenta.
2. Nunca carregue uma bateria completamente carregada. Carregamento excessivo diminui a vida útil da bateria.
3. Carregue a bateria à temperatura ambiente de 10°C – 40°C. Deixe que uma bateria quente arrefeça antes de a carregar.
4. Quando não utilizar a bateria, remova-a da ferramenta ou do carregador.
5. Carregue a bateria se não a utilizar durante um longo período de tempo (mais de seis meses).

MONTAGEM

⚠️PRECAUÇÃO: Certifique-se sempre de que a máquina está desligada e que o adaptador de baterias tipo mochila foi desligado da máquina antes de efetuar quaisquer trabalhos na máquina.

Instalar o bocal final

Alinhe a marca triangular no bocal final com a marca triangular no tubo dianteiro, depois prenda o bocal final no tubo dianteiro e, em seguida, rode o bocal final para o bloquear no lugar. Instale o bocal final de modo que a ponta do bocal fique virada para baixo. Dependendo do ambiente de trabalho, pode instalar o bocal final de modo que a ponta do bocal fique virada para cima.

► **Fig.1:** 1. Marca triangular 2. Bocal final 3. Tubo dianteiro

Para remover o bocal final, efetue o procedimento de instalação pela ordem inversa.

NOTA: O comprimento do bocal pode ser alterado ao mover o bocal conforme exibido na figura.

► **Fig.2:** 1. Bocal final 2. Tubo dianteiro

Instalar o bocal plano ou bocal de extensão

Acessório opcional

1. Alinhe a ranhura no tubo do adaptador com a saliência no tubo dianteiro, depois prenda o tubo do adaptador no tubo dianteiro e, em seguida, rode-o para o bloquear no lugar.

► **Fig.3:** 1. Tubo do adaptador 2. Tubo dianteiro

2. Alinhe a ranhura no bocal plano ou bocal de extensão com a saliência no tubo do adaptador, depois prenda o bocal plano ou bocal de extensão no tubo do adaptador e, em seguida, rode-o para o bloquear no lugar.

► **Fig.4:** 1. Bocal plano 2. Bocal de extensão 3. Tubo do adaptador

Instalar o conjunto de bocal para caieiras

Acessório opcional

1. Alinhe a ranhura no tubo do adaptador com a saliência no tubo dianteiro, depois prenda o tubo do adaptador no tubo dianteiro e, em seguida, rode-o para o bloquear no lugar.

Insira o tubo do adaptador até ao fim para que a saliência encaixe na ranhura mais profunda no tubo do adaptador.

► **Fig.5:** 1. Parafuso 2. Braçadeira 3. Tubo do adaptador 4. Tubo dianteiro

2. Solte os parafusos nas braçadeiras e passe a braçadeira grande através do tubo do adaptador e, em seguida, passe a braçadeira pequena.

3. Ligue o tubo de extensão ao tubo do adaptador.

Alinhe a ranhura no tubo de extensão com a saliência no tubo do adaptador e, em seguida, deslize o tubo de extensão ao longo da respetiva ranhura de modo que as marcas triangulares estejam de frente uma para a outra.

► **Fig.6:** 1. Tubo de extensão 2. Tubo do adaptador

4. Coloque as braçadeiras nas ranhuras conforme ilustrado e aperte os parafusos.

► **Fig.7:** 1. Parafuso 2. Braçadeira

5. De acordo com a altura de trabalho, ligue o resto dos tubos de extensão ao tubo de extensão que já foi preso.

⚠️PRECAUÇÃO: Não prenda o tubo de extensão se o comprimento total incluindo a estrutura do soprador for superior a 4 m.

6. Rode a saída do bocal final conforme apresentado na figura.

► **Fig.8**

7. Ligue o bocal final ao tubo de extensão. Quando ligar, alinhe as marcas triangulares no bocal final e no tubo de extensão e, em seguida, empurre o bocal final até encaixar. Em seguida, rode o bocal final para uma posição adequada para o seu trabalho.

► **Fig.9:** 1. Bocal final 2. Tubo de extensão 3. Marca triangular

Quando remover o bocal final, alinhe as marcas triangulares no bocal final e no tubo de extensão e, em seguida, retire o bocal final do tubo de extensão.

► **Fig.10:** 1. Bocal final 2. Tubo de extensão 3. Marca triangular

DESCRIÇÃO FUNCIONAL

⚠️PRECAUÇÃO: Certifique-se sempre de que a máquina está desligada e que o adaptador de baterias tipo mochila foi desligado da máquina antes de ajustar ou verificar o funcionamento na máquina.

Sistema de proteção da máquina / bateria

A máquina está equipada com um sistema de proteção da máquina/bateria. Este sistema desliga automaticamente a alimentação do motor para prolongar a vida útil da máquina e da bateria. A máquina para automaticamente durante o funcionamento se a máquina ou a bateria for colocada numa das seguintes condições:

Proteção contra sobrecarga

Quando a máquina ou a bateria é utilizada de uma forma que causa a absorção de uma corrente anormalmente alta, a máquina para automaticamente e a lâmpada de alimentação principal da máquina pisca a verde. Nesta situação, desligue a máquina e pare a aplicação que causou a sobrecarga da máquina. Em seguida, ligue a máquina para reiniciar.

Proteção contra sobreaquecimento

A máquina para automaticamente quando a máquina ou a bateria estiver sobreaquecida. Quando a máquina estiver sobreaquecida, a lâmpada de alimentação principal da máquina acende a vermelho. Quando a bateria estiver sobreaquecida, a lâmpada de alimentação principal da máquina pisca a vermelho. Deixe a máquina e a bateria arrefecerem antes de ligar novamente a máquina.

Proteção contra descarga excessiva

Quando a capacidade da bateria não for suficiente, a máquina para automaticamente e a lâmpada de alimentação principal da máquina pisca a vermelho. Neste caso, remova a bateria da máquina e carregue a bateria ou substitua a bateria por uma bateria totalmente carregada.

Interruptor de alimentação principal

⚠️AVISO: Desligue sempre o interruptor de alimentação principal quando não estiver a ser utilizado.

Para ligar a máquina, pressione o interruptor de alimentação principal. A lâmpada de alimentação principal acende a verde. Para desligar, prima novamente o interruptor de alimentação principal.

- **Fig.11:** 1. Lâmpada de alimentação principal
2. Interruptor de alimentação principal

NOTA: Esta máquina utiliza a função de desconexão automática. Para evitar o arranque não intencional, o interruptor de alimentação principal desliga automaticamente quando o gatilho do interruptor não é puxado durante um determinado período de tempo, depois de se ligar o interruptor de alimentação principal.

NOTA: Se premir o interruptor de alimentação principal quando a alavanca de controlo não estiver completamente retornada à posição de desligada ou enquanto estiver a puxar o gatilho do interruptor, a lâmpada de alimentação principal pisca a verde. Neste caso, retorne completamente a alavanca de controlo ou solte o gatilho do interruptor e, em seguida, prima o interruptor de alimentação principal.

Ação do interruptor

⚠️AVISO: Antes de ligar o adaptador de baterias tipo mochila à máquina, verifique sempre se o gatilho do interruptor funciona adequadamente e volta à posição de desligado quando libertado.

Para arrancar a máquina, basta puxar o gatilho do interruptor. A velocidade aumenta ao aumentar a pressão no gatilho do interruptor. Solte o gatilho do interruptor para parar.

- **Fig.12:** 1. Gatilho

Podem utilizar a máquina no modo de impulso. No modo de impulso, o volume de ar torna-se maior do que no modo normal. Para utilizar a máquina no modo de impulso, puxe o gatilho do interruptor até o gatilho do interruptor parar na posição a metade do curso e, em seguida, puxe totalmente o gatilho do interruptor.

- **Fig.13:** 1. Gatilho

NOTA: Dependendo das condições de utilização, a utilização do modo de impulso fica limitada para proteger a máquina. Se a lâmpada de alimentação principal da máquina pisca a verde quando puxar totalmente o gatilho do interruptor ou enquanto estiver a utilizar a máquina no modo de impulso, o modo de impulso não está disponível.

NOTA: O modo de impulso não está disponível rodando a alavanca de controlo.

Função de controlo de velocidade

A função de controlo de velocidade permite ao operador manter uma velocidade constante sem puxar o gatilho. Para aumentar a velocidade, rode a alavanca de controlo para a frente. Para diminuir a velocidade, rode a alavanca de controlo para trás.

- **Fig.14:** 1. Alavanca de controlo

Função de prevenção de reinício acidental

Mesmo que ligue o adaptador de baterias tipo mochila à máquina ao mesmo tempo que puxa o gatilho do interruptor, a máquina não arranca. Para arrancar a máquina, solte primeiro o gatilho do interruptor e retorne completamente a alavanca de controlo e, em seguida, puxe o gatilho do interruptor.

OPERAÇÃO

Ligar o adaptador de baterias tipo mochila

⚠️PRECAUÇÃO: Quando utilizar a máquina em combinação com a fonte de alimentação tipo mochila como o adaptador de baterias tipo mochila, utilize a fita para pendurar incluída na embalagem da máquina ou a fita para pendurar recomendada pela Makita.

Se colocar o arnês para o ombro não recomendado pela Makita e o arnês para o ombro da fonte de alimentação tipo mochila ao mesmo tempo, a remoção da máquina ou da fonte de alimentação tipo mochila é difícil em caso de emergência e pode causar um acidente ou ferimentos. Para obter a fita para pendurar recomendada, solicite-a nos centros de assistência autorizados da Makita.

⚠️PRECAUÇÃO: Antes da operação, certifique-se de que as fivelas no cinto da cintura estão fechadas e que a máquina está firmemente presa no gancho da fita para pendurar.

⚠️PRECAUÇÃO: Para evitar o arranque não intencional, certifique-se de que a máquina e o adaptador de baterias tipo mochila estão desligados antes de começar este procedimento.

⚠️PRECAUÇÃO: Antes de efetuar este procedimento, termine os ajustes para o cinto da cintura e o arnês para o ombro. Consulte o manual de instruções do adaptador de baterias tipo mochila para obter informações.

Para PDC1200

⚠️PRECAUÇÃO: Quando remover a bateria, prima o botão de bloqueio enquanto segura a pega firmemente. Antes de remover a bateria, regule o cinto da cintura para a posição mais baixa.

▶ Fig.15: 1. Pega 2. Botão de bloqueio

⚠️PRECAUÇÃO: Tenha cuidado para não prender os dedos ou os polegares entre a bateria e a chapa da base quando prender a bateria.

⚠️PRECAUÇÃO: Certifique-se de que a bateria está firmemente fixada na chapa da base. Caso contrário, a bateria pode cair quando colocar a unidade ou utilizar a unidade e causar ferimentos. Se conseguir ver o indicador vermelho conforme apresentado na figura, a bateria não está completamente bloqueada.

▶ Fig.16: 1. Indicador vermelho

Para PDC01

NOTA: Antes de efetuar este procedimento, instale a(s) bateria(s) no adaptador de baterias tipo mochila. Consulte o manual de instruções do adaptador de baterias tipo mochila para obter informações.

1. Retire o cabo do lado esquerdo ou direito da bateria.

Para PDC1200

Remova a bateria da chapa da base, depois retire o cabo do lado esquerdo ou direito da bateria e, em seguida, prenda a bateria na chapa da base. Ao puxar o cabo, certifique-se de que coloca o cabo nos suportes, conforme indicado na figura.

▶ Fig.17: 1. Cabo 2. Suporte

Para PDC01

Ao puxar o cabo, certifique-se de que coloca o cabo nos suportes, conforme indicado na figura.

▶ Fig.18: 1. Cabo 2. Suporte

2. Prenda o cabo nos suportes do cabo.

▶ Fig.19: 1. Suporte do cabo

3. Prenda os ganchos da fita para pendurar nos anéis do arnês para o ombro e do cinto da cintura.

▶ Fig.20: 1. Anel 2. Gancho

4. Pressione o botão de alimentação no adaptador de baterias tipo mochila. A lâmpada de alimentação principal acende.

Para PDC1200

▶ Fig.21: 1. Botão de alimentação 2. Lâmpada de alimentação principal

Para PDC01

▶ Fig.22: 1. Botão de alimentação 2. Lâmpada de alimentação principal

5. Utilize o arnês para o ombro do adaptador de baterias tipo mochila e feche a fivela no cinto.

▶ Fig.23

6. Prenda o arnês para o ombro na máquina utilizando o gancho na fita para pendurar. Certifique-se de que engancha no anexo da máquina.

▶ Fig.24: 1. Gancho 2. Anexo

Ajuste o comprimento da fita para pendurar conforme necessário.

▶ Fig.25

7. Insira a ficha da máquina na tomada do adaptador de baterias tipo mochila.

Quando inserir, alinhe a marca de triângulo tanto na ficha como na tomada.

▶ Fig.26: 1. Ficha 2. Tomada 3. Marca de triângulo

8. Prima o interruptor de alimentação principal para ligar a máquina.

A máquina está pronta a operar. A máquina funciona quando puxa o gatilho do interruptor.

▶ Fig.27: 1. Interruptor de alimentação principal

NOTA: Também pode utilizar a fita para pendurar conforme apresentado na figura.

▶ Fig.28

Ajuste o comprimento da fita para pendurar conforme necessário.

▶ Fig.29

Funcionamento do soprador

⚠️ PRECAUÇÃO: Não coloque a máquina no chão enquanto está ligada. A areia ou o pó pode entrar a partir da entrada de sucção e causar uma anomalia ou ferimentos pessoais.

Segure a máquina firmemente com uma mão e efetue a operação de sopro movendo-a lentamente. Quando soprar perto de um edifício, uma pedra grande ou um veículo, afaste o bocal dos mesmos. Quando efetuar uma operação num canto, comece pelo canto e depois desloque-se para a área alargada.

► Fig.30

Quando colocar a máquina de lado, abra a fivela na fita para pendurar com uma mão enquanto segura a máquina com a outra mão.

► Fig.31: 1. Fivela

► Fig.32: 1. Fivela

Quando colocar a máquina e o adaptador de baterias tipo mochila de lado ao mesmo tempo, abra a fivela no cinto da cintura e, em seguida, coloque a máquina e o adaptador de baterias tipo mochila de lado.

► Fig.33: 1. Fivela

NOTA: Quando abrir a fivela, prima as garras da fivela em ambos os lados. Quando fechar a fivela, insira as garras até ficarem bloqueadas.

► Fig.34: 1. Garra

Utilizar o conjunto de bocal para caleiras

⚠️ PRECAUÇÃO: Quando utilizar o conjunto de bocal para caleiras, não utilize a máquina no modo de impulso. Pode perder o equilíbrio e tal pode causar um acidente uma vez que o volume de ar torna-se maior no modo de impulso.

⚠️ PRECAUÇÃO: Quando utilizar o conjunto de bocal para caleiras, não segure o soprador com uma mão, mas sim com as duas mãos.

► Fig.35

⚠️ PRECAUÇÃO: Não utilize o conjunto de bocal para caleiras perto de fios elétricos.

► Fig.36

⚠️ PRECAUÇÃO: Não utilize o conjunto de bocal para caleiras em dias de vento.

► Fig.37

⚠️ PRECAUÇÃO: Quando utilizar o conjunto de bocal para caleiras, mantenha outras pessoas ou animais a uma distância superior a 15 m do soprador.

► Fig.38

Segure o soprador na vertical agarrando a pega do soprador. Coloque a saída do soprador na caleira e, em seguida, ligue o soprador.

► Fig.39

MANUTENÇÃO

⚠️ PRECAUÇÃO: Certifique-se sempre de que a máquina está desligada e que o adaptador de baterias tipo mochila foi desligado da máquina antes de tentar efetuar uma inspeção ou manutenção.

Para manter a SEGURANÇA e a FIABILIDADE do produto, as reparações e qualquer outra manutenção ou ajuste devem ser levados a cabo pelos centros de assistência Makita autorizados ou pelos centros de assistência de fábrica, utilizando sempre peças de substituição Makita.

Limpar a máquina

Limpe a máquina limpando o pó com um pano seco ou um pano embebido em água com sabão e torcido.

► Fig.40

OBSERVAÇÃO: Nunca utilize gasolina, benzina, diluente, álcool ou produtos semelhantes. Pode ocorrer a descoloração, deformação ou rachaduras.

Remova o pó ou a sujidade da entrada de sucção na parte traseira da máquina.

► Fig.41: 1. Entrada de sucção

Armazenamento

Antes de armazenar a máquina, desligue o adaptador de baterias tipo mochila da máquina e efetue uma manutenção total. Guarde a máquina num local fora do alcance das crianças e não exposto à humidade, chuva ou luz solar direta.

O orifício para o gancho na parte inferior da máquina é conveniente para pendurar a máquina num prego ou parafuso na parede.

► Fig.42: 1. Orifício

RESOLUÇÃO DE PROBLEMAS

Antes de pedir uma reparação, realize primeiro a sua própria inspeção. Se encontrar um problema que não esteja explicado no manual, não tente desmontar a máquina. Em vez disso, peça as reparações nos centros de assistência autorizados da Makita, usando sempre peças de substituição da Makita.

Estado da anomalia	Causa provável (avaria)	Correção
O motor não funciona.	A bateria não está instalada.	Instale a bateria.
	Problema com a bateria (baixa tensão)	Recarregue a bateria. Se o carregamento não for eficaz, substitua a bateria.
	O sistema de acionamento não funciona corretamente.	Peça a reparação no centro de assistência autorizado local.
O motor para de funcionar após pouco uso.	O nível de carga da bateria está baixo.	Recarregue a bateria. Se o carregamento não for eficaz, substitua a bateria.
	Sobreaquecimento.	Pare a utilização da máquina para que a mesma possa arrefecer.
A máquina não atinge a velocidade máxima.	A bateria está mal instalada.	Instale a bateria conforme descrito no presente manual.
	A potência da bateria está a baixar.	Recarregue a bateria. Se o carregamento não for eficaz, substitua a bateria.
	O sistema de acionamento não funciona corretamente.	Peça a reparação no centro de assistência autorizado local.
Vibração anormal: ⇒ pare a máquina imediatamente!	O sistema de acionamento não funciona corretamente.	Peça a reparação no centro de assistência autorizado local.
O motor não consegue parar: ⇒ retire imediatamente a bateria!	Falha de funcionamento elétrica ou eletrónica.	Retire a bateria e peça a reparação no centro de assistência autorizado local.

ACESSÓRIOS OPCIONAIS

⚠PRECAUÇÃO: Estes acessórios ou complementos são recomendados para utilização com o produto Makita especificado neste manual. A utilização de quaisquer outros acessórios ou complementos pode representar risco de ferimentos a pessoas. Utilize apenas acessórios ou complementos para os respetivos fins indicados.

Se necessitar de informações adicionais relativas a estes acessórios, solicite-as ao seu centro de assistência Makita.

- Tubo do adaptador
- Bocal de extensão
- Bocal plano
- Conjunto de bocal para caleiras
- Conjunto da fita
- Bateria e carregador genuínos da Makita

NOTA: Alguns itens na lista poderão estar incluídos na embalagem do produto como acessórios padrão. Podem diferir de país para país.

SPECIFIKATIONER

Model:		UB001C
Kapacitet	Luftvolumen	0 - 17,6 m ³ /min
	Luft hastighed (gennemsnit)	0 - 58,0 m/s
	Luft hastighed (maks.)	0 - 70,0 m/s
Samlet længde (med endemundstykke)		960 mm / 1.010 mm / 1.060 mm
Mærkespænding		D.C. 36 V - 40 V maks.
Nettovægt		2,6 - 2,9 kg
Beskyttelsesgrad		IPX4

- På grund af vores kontinuerlige forsknings- og udviklingsprogrammer kan hosstående specifikationer blive ændret uden varsel.
- Specifikationer kan variere fra land til land.
- Vægt i henhold til EPTA-procedure 01/2014

Anvendelig bærbar strømforsyning

PDC1200 / PDC01

⚠ ADVARSEL: Brug kun de bærbare strømforsyninger, der er angivet ovenfor. Brug af andre bærbare strømforsyninger kan medføre personskade og/eller brand.

Symboler

Følgende viser de symboler, der muligvis anvendes til udstyret. Sørg for, at du forstår deres betydning før brugen.

	Udvis særlig forsigtighed og opmærksomhed.
	Læs betjeningsvejledningen.
	Hold hænderne væk fra roterende dele.
	Langt hår kan medføre ulykker, da det kan vikles ind i maskineriet.
	Hold omkringstående personer væk.
	Bær beskyttelsesbriller og høreværn.
	Udsæt ikke for fugt.
	Kun for lande inden for EU Bortskaf ikke elektrisk udstyr eller akkuen sammen med almindeligt husholdningsaffald! I overensstemmelse med EU-direktiverne vedrørende Affald af elektrisk og elektronisk udstyr samt Batterier og akkumulatorer og Batteri- og akkumulatoraffald og deres anvendelse i overensstemmelse med nationale love skal elektrisk udstyr og batterier og batteripakker, der har nået slutningen af deres levetid, indsamles separat og returneres til en miljøvenlig genbrugsstation.

Tilsløbet anvendelse

Maskinen er beregnet til at blæse støv.

Støj

Det typiske A-vægtede støjniveau bestemt i overensstemmelse med EN50636-2-100:
 Lydtrykniveau (L_{pA}) : 83,4 dB (A)
 Usikkerhed (K): 2,2 dB (A)
 Lydeffektniveau (L_{WA}) : 91,4 dB (A)
 Usikkerhed (K): 2,5 dB (A)

BEMÆRK: De(n) angivne støjmissionsværdi(er) er målt i overensstemmelse med en standardtestmetode og kan anvendes til at sammenligne en maskine med en anden.

BEMÆRK: De(n) angivne støjmissionsværdi(er) kan også anvendes i en præliminær eksponeringsvurdering.

⚠ ADVARSEL: Bær høreværn.

⚠ ADVARSEL: Støjmissionen under den faktiske anvendelse af maskinen kan være forskellig fra de(n) angivne værdi(er), afhængigt af den måde hvorpå maskinen anvendes, især den type arbejdsømme der behandles.

⚠ ADVARSEL: Sørg for at identificere de sikkerhedsforskrifter til beskyttelse af operatøren, som er baseret på en vurdering af eksponering under de faktiske brugsforhold (med hensyntagen til alle dele i brugscyklussen, f.eks. de gange, hvor maskinen er slukket, og når den kører i tomgang i tilgift til afbrydertiden).

Vibration

Vibrationens totalværdi (tre-aksial vektorsum) bestemt i overensstemmelse med EN50636-2-100:
 Arbejdstilstand: brug uden belastning
 Vibrationsemission (a_{h1}): 2,5 m/s² eller mindre
 Usikkerhed (K): 1,5 m/s²

BEMÆRK: De(n) angivne totalværdi(er) for vibration er målt i overensstemmelse med en standardtestmetode og kan anvendes til at sammenligne en maskine med en anden.

BEMÆRK: De(n) angivne totalværdi(er) for vibration kan også anvendes i en præliminær eksponeringsvurdering.

⚠ ADVARSEL: Vibrationsemissionen under den faktiske anvendelse af maskinen kan være forskellig fra de(n) angivne værdi(er), afhængigt af den måde hvorpå maskinen anvendes, især den type arbejdsemne der behandles.

⚠ ADVARSEL: Sørg for at identificere de sikkerhedsforskrifter til beskyttelse af operatøren, som er baseret på en vurdering af eksponering under de faktiske brugsforhold (med hensyntagen til alle dele i brugscyklussen, f.eks. de gange, hvor maskinen er slukket, og når den kører i tomgang i tilgift til afbrydertiden).

EF-overensstemmelseserklæring

Kun for lande i Europa

EF-overensstemmelseserklæringen er inkluderet som Bilag A i denne brugsanvisning.

SIKKERHEDSADVARSLER

Sikkerhedsinstruktioner for batteridrevet blæser

⚠ ADVARSEL: Læs alle sikkerhedsadvarsler og alle sikkerhedsinstruktioner. Hvis nedenstående advarsler og instruktioner ikke overholdes, kan det medføre elektrisk stød, brand og/eller alvorlig personskade.

Gem alle advarsler og instruktioner til fremtidig reference.

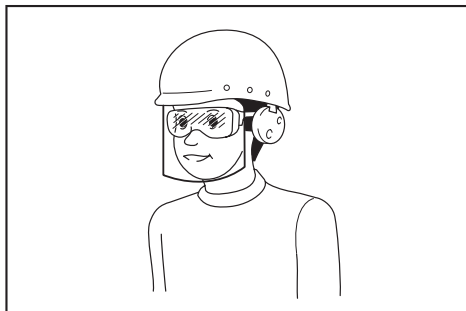
Oplæring

1. Læs instruktionerne omhyggeligt. Vær bekendt med kontrollerne og korrekt brug af blæseren.
2. Lad aldrig børn, personer med reducerede fysiske, motoriske eller mentale færdigheder eller manglende erfaring og viden eller personer, der ikke er bekendt med disse instruktioner, anvende blæseren. Lokal lovgivning begrænser muligvis operatørens alder.
3. Anvend aldrig blæseren, når der er personer, især børn, eller kæledyr i nærheden.
4. Husk, at operatøren eller brugeren er ansvarlig for ulykker eller farlige situationer, der sker på andre personer eller deres ejendom.

Forberedelse

1. Bær altid solidt fodtøj og lange bukser, når du betjener blæseren.

2. Bær ikke løst tøj eller smykker, der kan trækkes ind i luftåbningen. Hold langt hår væk fra luftåbningerne.
3. Bær altid beskyttelsesbriller for at beskytte dine øjne mod skader, når du bruger maskiner. Beskyttelsesbrillerne skal overholde ANSI Z87.1 i USA, EN 166 i Europa eller AS/NZS 1336 i Australien/New Zealand. I Australien/New Zealand er det desuden påbudt ved lov at bære ansigtsskærm for at beskytte dit ansigt.



Det er arbejdsgiverens ansvar at påbyde brugerne af maskinen samt andre personer i det umiddelbare arbejdsområde at bære passende sikkerhedsbeskyttelsesudstyr.

4. For at undgå støvgener anbefales det at bære ansigtsmaske.
5. Bær altid skridsikert og beskyttende fodtøj ved brug af maskinen. Skridsikre lukkede sikkerhedsstøvler og -sko mindsker risikoen for personskade.
6. Bær personligt beskyttelsesudstyr. Brug altid beskyttelsesbriller. Beskyttelsesudstyr som f.eks. støvmaske, skridsikre sko, hjelm eller høreværn, der benyttes under de relevante forhold, forebygger personskade.
7. Efterse ledningen, før du bruger maskinen. Bed et autoriseret Makita-servicecenter om reparation, hvis ledningen er beskadiget.

Betjening

1. Sluk for blæseren, og fjern batteriet, og sørg for, at alle bevægelige dele er stoppet helt
 - hver gang du lægger blæseren fra dig.
 - før du fjerner blokeringer.
 - før du efterser, rengør eller arbejder på blæseren.
 - hvis blæseren begynder at vibrere unormalt.
2. Anvend kun blæseren i dagslys eller i god kunstig belysning.
3. Stræk dig ikke for langt, og oprethold til enhver tid korrekt balance og fodfæste.
4. Sørg altid for et godt fodfæste på skråninger.
5. Gå, løb aldrig.
6. Hold alle kælingsluftåbningerne fri for affald.
7. Blæs aldrig affald i retning af omkringstående.
8. Brug blæseren i en anbefalet stilling og på en solid overflade.
9. Anvend ikke blæseren på høje steder.
10. Peg aldrig mundstykket mod personer i nærheden, når du bruger blæseren.

11. **Blokér aldrig sugeåbningen og/eller blæserudgangen.**
 - Pas på ikke at blokere sugeåbningen eller blæserudgangen med støv eller snavs, når du arbejder i et støvet område.
 - Brug ikke andre mundstykker end mundstykkerne fra Makita.
 - Brug ikke blæseren til at puste bolde, gummibåde eller lignende op.
12. **Brug ikke blæseren i nærheden af et åbent vindue eller lignende.**
13. **Det anbefales kun at bruge blæseren på rime-lige tidspunkter - ikke tidligt om morgenen eller sent om aftenen, hvor det kan forstyrre folk.**
14. **Brug af river og koste til at løsne affald inden blæsning anbefales.**
15. **Hvis blæseren rammer nogen fremmedle-ger eller begynder at frembringe usædvanlig støj eller vibration, skal du med det samme slukke for blæseren for at stoppe den. Tag batteriet ud af blæseren og efterse blæseren for skader, før du starter og betjener blæseren igen. Bed et autoriseret Makita servicecenter om reparation, hvis blæseren er beskadiget.**
16. **Sæt ikke fingrene eller andre genstande ind i sugeåbningen eller blæserudgangen.**
17. **Forebyg start ved et uheld. Sørg for, at kontak-ten er i fra-positionen, før du indsætter batte-riet, tager blæseren op eller bærer den. Hvis du bærer blæseren med fingeren på kontakten, eller hvis du sætter strøm til blæseren, mens kontakten er slået til, kan det medføre uheld.**
18. **Blæs aldrig farlige materialer som fx søm, glassplinter eller klinger.**
19. **Brug ikke blæseren i nærheden af brændbare materialer.**
20. **Undgå betjening af blæseren i lang tid i omgi-velser med lav temperatur.**
21. **Brug ikke maskinen, hvis der er risiko for lynnedslag.**
22. **Vær opmærksom på Deres fodfæste, hvis De bruger maskinen på mudret jord, en våd skrån-ning eller et glat sted.**
23. **Undlad at arbejde i et dårligt arbejdsmiljø, hvor øget brugertræthed kan forventes.**
24. **Undlad at bruge maskinen i dårligt vejr, hvor sigtbarheden er nedsat. Ellers kan det medføre, at De falder, eller forkert betjening på grund af dårlig sigtbarhed.**
25. **Undlad at nedsænke maskinen i en vandpyt.**
26. **Hvis vådt græs eller snavs sætter sig fast i sugeåbningen (ventilationsvinduet) på grund af regn, skal De fjerne dem.**

Vedligeholdelse og opbevaring

1. **Hold alle møtrikker, bolte og skruer stramme for at sikre dig, at blæseren er i sikker arbejdstilstand.**
2. **Hvis delene er slidte eller beskadiget, skal du udskifte dem med dele fra Makita.**
3. **Opbevar blæseren på et tørt sted, der er util-gængeligt for børn.**

4. **Når du stopper blæseren af hensyn til eftersyn, servicering, opbevaring eller udskiftning af tilbehør, skal du slukke for blæseren, og sikre dig at alle dele i bevægelse er stoppet helt, og derefter fjerne batteriet. Lad blæseren køle af, før du udfører nogen form for arbejde på blæseren. Vedligehold blæseren med omhu og hold den ren.**
5. **Lad altid blæseren køle af, før den opbevares.**
6. **Udsæt ikke blæseren for regn. Opbevar blæse-ren inden døre.**
7. **Når du løfter blæseren, skal du sørge for at bøje i knæene og passe på ikke at skade ryggen.**
8. **Lad ikke maskinen ligge uovervåget udendørs i regnvejr.**
9. **Undlad at vaske maskinen med højtryksvand.**
10. **Undgå direkte sollys og regn ved opbevaring af maskinen, og opbevar den på et sted, hvor det ikke bliver varmt eller fugtigt.**
11. **Udfør inspektion eller vedligeholdelse på et sted, hvor der er ly for regn.**
12. **Når maskinen har været i brug, skal De fjerne fastsiddende snavs og tørre maskinen helt, før den opbevares. Afhængigt af årstiden eller områ-det er der risiko for fejlfunktion på grund af frost.**
13. **Undlad at tage op eller bære maskinen ved kun at holde i ledningen.**

Brug og vedligeholdelse af batteriet

1. **Oplad kun med den oplader, som producenten angiver** En oplader, der passer til én type batteri, kan forårsage brand, hvis den anvendes med et andet batteri.
2. **Brug kun el-værktøjer sammen med de tilhø-rende batteripakker.** Brug af andre batteripakker kan forårsage personskade og brand.
3. **Når batteripakker ikke anvendes, skal de holdes borte fra andre metalgenstande som papirclips, mønter, nøgler, søm, skruer og andre små metalgenstande, der kan skabe forbindelse mellem terminalerne.** Hvis batteriets terminaler kortsluttes, kan det forårsage brand.
4. **I tilfælde af misbrug kan der sprøjte væske ud fra batteriet. Undgå kontakt. Skyl med vand, hvis De kommer i kontakt med væsken. Søg læge, hvis De får væske i øjet.** Væske, der sprøjter ud fra batteriet, kan medføre irritation eller forbrændinger.
5. **Undlad at bruge en akku eller maskine, der er beskadiget eller ændret.** Beskadigede eller ændrede batterier kan fungere uforudsigeligt og medføre brand, eksplosion eller risiko for personskade.
6. **Undlad at udsætte en akku eller maskine for brand eller høje temperaturer.** Udsættelse for brand eller temperaturer på over 130 °C kan med-føre eksplosion.
7. **Følg alle instruktioner vedrørende opladning, og undlad at oplade akkuen eller maskinen uden for det temperaturinterval, der er angivet i instruktionerne.** Opladning, der udføres forkert eller ved temperaturer uden for det angivne tem-peraturinterval, kan beskadige batteriet og med-føre øget risiko for brand.

Elektrisk sikkerhed og batterisikkerhed

1. **Undlad at kaste batterierne i åben ild.** Cellen kan eksplodere. Tjek de lokale regler for eventuelle særlige instruktioner vedrørende bortskafløse.
2. **Undlad at åbne eller mishandle batterierne.** Lækket elektrolyt er ætsende og kan medføre skader på øjnene eller huden. Den kan være giftig, hvis den indtages.
3. **Undlad at oplade batteriet i regnvej eller under våde forhold.**
4. **Oplad ikke batteriet uden døre.**
5. **Håndter ikke oplader, herunder opladerstik, og opladerterminaler med våde hænder.**
6. **Undlad at udskifte batteriet i regnvej.**
7. **Undgå at gøre batteriets terminal våd med væsker som f.eks. vand eller at nedsænke batteriet. Undlad at lade batteriet ligge i regnvej eller at oplade, bruge eller opbevare batteriet på et fugtigt eller vådt sted.** Hvis terminalen bliver våd, eller der kommer væske ind i batteriet, kan batteriet blive kortsluttet, og der er risiko for overophedning, brand eller eksplosion.
8. **Når De har fjernet batteriet fra maskinen eller opladeren, skal De sørge for at montere akku-dækslet på batteriet og opbevare det på et tørt sted.**
9. **Undlad at udskifte batteriet med våde hænder.**
10. **Hvis batteriet bliver vådt, skal du tømme vandet inden i det ud og derefter tørre det med en tør klud. Tør batteriet helt på et tørt sted før brug.**

Service

1. **Få udført service på el-værktøjet hos en autoriseret mekaniker, og brug kun tilsvarende reservedele.** Derved vedligeholdes el-værktøjets sikkerhed.
2. **Udfør aldrig service på beskadigede akkuer.** Service på akkuer må kun udføres af producenten eller af autoriserede reparatører.

GEM DENNE BRUGSANVISNING.

⚠ ADVARSEL: LAD IKKE bekvemmelighed eller kendskab til produktet (opnået gennem gentagen brug) forhindre, at sikkerhedsforskrifterne for produktet nøje overholdes.

MISBRUG eller forsømmelse af at følge de i denne brugsvejledning givne sikkerhedsforskrifter kan føre til, at De kommer alvorligt til skade.

Vigtige sikkerhedsinstruktioner for akkuen

1. **Læs alle instruktioner og advarselmærkater på (1) akku-opladeren, (2) akkuen og (3) produktet, som anvender akku.**
2. **Adskil eller ændr ikke akkuen.** Det kan muligvis resultere i en brand, overdreven varme eller eksplosion.
3. **Hold straks op med anvendelsen, hvis brugstiden er blevet stærkt afkortet. Fortsat anvendelse kan resultere i risiko for overophedning, forbrændinger og endog eksplosion.**
4. **Hvis De har fået elektrolytvæske i øjnene, skal De straks skylle den ud med rent vand og derefter øjeblikkeligt søge lægehjælp. I modsat fald kan De miste synet.**

5. **Vær påpasselig med ikke at komme til at kortslutte akkuen:**
 - (1) **Rør ikke ved terminalerne med noget ledende materiale.**
 - (2) **Undgå at opbevare akkuen i en beholder sammen med andre genstande af metal, for eksempel søm, mønter og lignende.**
 - (3) **Udsæt ikke akkuen for vand eller regn. Kortslutning af akkuen kan forårsage en kraftig øgning af strømmen, overophedning, mulige forbrændinger og endog værktøjstop.**
6. **Opbevar og brug ikke maskinen og akkuen på steder, hvor temperaturen muligvis kan nå eller overstige 50 °C.**
7. **Lad være med at brænde akkuen, selv ikke i tilfælde, hvor den har lidt alvorlig skade eller er fuldstændig udtjent. Akkuen kan eksplodere, hvis man forsøger at brænde den.**
8. **Slå ikke søm i, skær ikke i, knus, kast, tab ikke akkuen og stød ikke akkuen mod en hård genstand.** Sådan adfærd kan muligvis resultere i en brand, overdreven varme eller eksplosion.
9. **Anvend ikke en beskadiget akku.**
10. **De indbyggede litium-ion-batterier er underlagt lovkrav vedrørende farligt gods.** Ved kommerciel transport, f.eks. af tredjeparts transportselskaber, skal særlige krav til forpakning og mærkning overholdes. Ved forberedelse af udstyret til forsendelse skal du kontakte en ekspert i farligt gods. Overhold også eventuel mere detaljeret national lovgivning. Tape eller tildæk åbne kontakter, og pak batteriet på en måde, så det ikke kan flytte sig rundt i pakningen.
11. **Når akkuen bortskafløses, skal du fjerne den fra maskinen og bortskafløse den på et sikkert sted. Følg de lokale love vedrørende bortskafløelsen af batterier.**
12. **Brug kun batterierne med de produkter, som Makita specificerer.** Hvis batterierne installeres i ikke-kompatible produkter, kan det medføre brand, kraftig varme, eksplosion eller udsivning af elektrolyt.
13. **Hvis maskinen ikke skal bruges i længere tid ad gangen, skal du fjerne batteriet fra maskinen.**
14. **Akkuen kan muligvis under og efter brug være varm, hvilket kan forårsage forbrændinger eller lavtemperaturforbrændinger. Vær påpasselig med håndtering af varme akkuer.**
15. **Rør ikke terminalen på maskinen straks efter brug, da den bliver varm nok til at forårsage forbrændinger.**
16. **Sørg for at spåner, støv eller jord ikke sætter sig fast inde i terminalerne, hullerne og rillerne på akkuen.** Det kan muligvis medføre dårlig ydelse eller nedbrud af maskinen eller akkuen.
17. **Medmindre maskinen understøtter brugen i nærheden af elektriske højspændingsledninger, skal du ikke anvende akkuen i nærheden af elektriske højspændingsledninger.** Det kan muligvis medføre funktionsfejl på eller nedbrud af maskinen eller akkuen.
18. **Opbevar batteriet utilgængeligt for børn.**

GEM DENNE BRUGSANVISNING.

⚠️ FORSIGTIG: Brug kun originale batterier fra Makita. Brug af uoriginale Makita-batterier, eller batterier som er blevet ændret, kan muligvis medføre brud på batteriet, hvilket kan forårsage brand, personskade eller beskadigelse. Det ugyldiggør også Makita-garantien for Makita-maskinen og opladeren.

Tips til opnåelse af maksimal akku-levetid

1. **Oplad akkuen, inden den er helt afladet. Stop altid værktøjet, og oplad akkuen, hvis De bemærker, at værktøjeffekten er aftagende.**
2. **Genoplad aldrig en fuldt opladet akku. Overopladning vil afkorte akkuens levetid.**
3. **Oplad akkuen ved stuetemperatur ved 10 °C - 40 °C. Lad altid en varm akku få tid til at køle af, inden den oplades.**
4. **Når du ikke anvender akkuen, skal du fjerne den fra maskinen eller opladeren.**
5. **Oplad akkuen, hvis De ikke skal bruge den i længere tid (mere end seks måneder).**

SAMLING

⚠️ FORSIGTIG: Sørg altid for, at der er slukket for maskinen, og at den bærbare strømforsyning er afbrudt fra maskinen, før der udføres noget arbejde på maskinen.

Montering af endemundstykket

Ret trekantsmærket på endemundstykket ind med trekantsmærket på det forreste rør, og monter derefter endemundstykket på det forreste rør, og drej derefter på endemundstykket for at låse det på plads.

Monter endemundstykket så spidsen af mundstykket vender nedad. Afhængigt af arbejdsmiljøet kan du montere endemundstykket, så spidsen af mundstykket vender opad.

► **Fig.1:** 1. Trekantsmærke 2. Endemundstykke 3. Forreste rør

Udfør monteringsproceduren i omvendt rækkefølge for at afmontere endemundstykket.

BEMÆRK: Længden af mundstykket kan ændres ved at flytte mundstykket som vist på figuren.

► **Fig.2:** 1. Endemundstykke 2. Forreste rør

Montering af det flade mundstykke eller forlængermundstykket

Ekstraudstyr

1. Ret rillen på adapterrøret ind med fremspringet på det forreste rør, og monter derefter adapterrøret på det forreste rør, og drej derefter på det for at låse det på plads.

► **Fig.3:** 1. Adapterrør 2. Forreste rør

2. Ret rillen på det flade mundstykke eller forlænger-mundstykket ind med fremspringet på adapterrøret, og monter derefter det flade mundstykke eller forlænger-mundstykket på adapterrøret, og drej derefter på det for at låse det på plads.

► **Fig.4:** 1. Fladt mundstykke
2. Forlænger-mundstykke 3. Adapterrør

Montering af mundstykket til tagreder

Ekstraudstyr

1. Ret rillen på adapterrøret ind med fremspringet på det forreste rør, og monter derefter adapterrøret på det forreste rør, og drej derefter på det for at låse det på plads.

Sæt adapterrøret så langt ind som det kan komme, så fremspringet passer ind i den dybeste rille på adapterrøret.

► **Fig.5:** 1. Skruer 2. Slangeklemme 3. Adapterrør
4. Forreste rør

2. Løsn skruerne på slangeklemmerne og før den store slangeklemme igennem adapterrøret, og før derefter den lille slangeklemme igennem.

3. Tilslut forlænger-røret til adapterrøret.

Ret rillen på forlænger-røret ind med den fremspringende del på adapterrøret, og skub derefter forlænger-røret langs dens rille, så trekantsmarkeringerne vender mod hinanden.

► **Fig.6:** 1. Forlænger-rør 2. Adapterrør

4. Placer slangeklemmerne på rillerne som illustreret og stram derefter skruerne.

► **Fig.7:** 1. Skruer 2. Slangeklemme

5. I overensstemmelse med arbejdshøjden skal du tilslutte resten af forlænger-rørene til det forlænger-rør som allerede er blevet monteret.

⚠️ FORSIGTIG: Monter ikke forlænger-røret, hvis den samlede længde, inklusive blæserens karosseri, overstiger 4 m.

6. Drej udgangen på endemundstykket som vist på figuren.

► **Fig.8**

7. Tilslut endemundstykket til forlænger-røret. Ved tilslutning skal du rette trekantsmarkeringen på endemundstykket og forlænger-røret ind med hinanden, og derefter trykke på endemundstykket indtil det klikker. Efter dette skal du dreje endemundstykket hen på en passende position for dit arbejde.

► **Fig.9:** 1. Endemundstykke 2. Forlænger-rør
3. Trekantsmarkering

Når du fjerner endemundstykket, skal du rette trekantsmarkeringerne på endemundstykket og forlænger-røret ind med hinanden, og derefter trække endemundstykket ud fra forlænger-røret.

► **Fig.10:** 1. Endemundstykke 2. Forlænger-rør
3. Trekantsmarkering

FUNKTIONSBESKRIVELSE

⚠️ FORSIGTIG: Sørg altid for, at der er slukket for maskinen, og at den bærbare strømforstyrning er afbrudt fra maskinen, før der foretages justeringer eller kontrolleres funktioner på maskinen.

Beskyttelsessystem til maskinen/batteriet

Maskinen er udstyret med et beskyttelsessystem til maskinen/batteriet. Dette system afbryder automatisk strømmen til motoren for at forlænge maskinens og batteriets levetid. Maskinen stopper automatisk under brugen, hvis maskinen eller batteriet udsættes for et af følgende forhold:

Overbelastningsbeskyttelse

Når maskinen eller batteriet bruges på en måde, der får den/det til at trække en unormalt høj strøm, stopper maskinen automatisk, og strømindikatoren på maskinen blinker grønt. Sluk i så fald for maskinen, og stop den anvendelse, der medførte, at maskinen blev overbelastet. Tænd derefter for maskinen for at starte den igen.

Beskyttelse mod overophedning

Hvis maskinen eller batteriet bliver overophedet, stopper maskinen automatisk. Når maskinen er overophedet, lyser strømindikatoren på maskinen rødt. Når batteriet er overophedet, blinker strømindikatoren på maskinen rødt. Lad maskinen og batteriet køle af, før der tændes for maskinen igen.

Beskyttelse mod overafledning

Hvis batteriladningen er for lav, stopper maskinen automatisk, og strømindikatoren på maskinen blinker rødt. Fjern i så fald batteriet fra maskinen, og lad batteriet op, eller udskift batteriet med ét, der er fuldt opladet.

Hovedafbryder

⚠️ ADVARSEL: Sluk altid for hovedafbryderen, når maskinen ikke bruges.

Tryk på hovedafbryderen for at tænde for maskinen. Strømindikatoren lyser grønt. Tryk på hovedafbryderen igen for at slukke.

► **Fig.11:** 1. Strømindikator 2. Hovedafbryder

BEMÆRK: Denne maskine har en funktion til automatisk slukning. For at undgå utilsigtet start slukker hovedafbryderen automatisk, når der ikke trykkes på afbryderknappen i en vis periode, efter at der tændes på hovedafbryderen.

BEMÆRK: Hvis du trykker på hovedafbryderen, når kontrolarmen ikke er returneret til fra-positionen, eller mens du trykker på afbryderknappen, blinker strømindikatoren grønt. I dette tilfælde skal du returnere kontrolarmen helt, eller slippe afbryderknappen og derefter trykke på hovedafbryderen.

Afbryderbetjening

⚠️ ADVARSEL: Før du tilslutter den bærbare strømforstyrning til maskinen, skal du altid kontrollere, at afbryderknappen aktiveres korrekt, og at den vender tilbage til "FRA"-positionen, når den slippes.

For at starte maskinen skal du blot trykke på afbryderknappen. Maskinens hastighed øges ved at øge trykket på afbryderknappen. Slip afbryderknappen for at stoppe.

► **Fig.12:** 1. Afbryderknop

Du kan anvende maskinen i boosttilstanden. I boosttilstanden bliver luftmængden større end i den normale tilstand. Hvis du vil bruge maskinen i boosttilstanden, skal du trykke på afbryderknappen, indtil afbryderknappen stopper i halvvejsstillingen, og derefter trykke afbryderknappen helt ind.

► **Fig.13:** 1. Afbryderknop

BEMÆRK: Afhængigt af brugsforholdene er brugen af boosttilstand begrænset for at beskytte maskinen. Hvis strømindikatoren på maskinen blinker grønt, når du trykker afbryderknappen helt ind, eller når du anvender maskinen i boosttilstanden, er boosttilstanden ikke tilgængelig.

BEMÆRK: Boosttilstanden er ikke tilgængelig ved hjælp af drejning af kontrolarmen.

Fartpilotfunktion

Fartpilotfunktionen gør det muligt for operatøren at bevare en konstant hastighed uden at trykke på afbryderen. Drej kontrolarm fremad for at øge hastigheden. Drej kontrolarmen bagud for at sænke hastigheden.

► **Fig.14:** 1. Kontrolarm

Funktion til forhindring af utilsigtet genstart

Maskinen starter ikke, selvom du tilslutter den bærbare strømforstyrning til maskinen, mens du trykker på afbryderknappen. For at starte maskinen skal du først slippe afbryderknappen og sætte kontrolarmen helt tilbage og derefter trykke på afbryderknappen.

ANVENDELSE

Tilslutning af den bærbare strømforsyning

⚠FORSIGTIG: Når du anvender maskinen kombineret med en strømforsyning af rygsæktypen som fx en bærbar strømforsyning, skal du anvende det hængende bånd, som er inkluderet i pakken med maskinen, eller det hængende bånd anbefalet af Makita.

Hvis du anvender en skuldersel, som ikke er anbefalet af Makita, og skulderselen til en strømforsyning af rygsæktypen på samme tid, er det svært at fjerne maskinen eller strømforsyningen af rygsæktypen i et nødstilfælde, og det kan muligvis forårsage en ulykke eller personskade. Bed et autoriseret Makita-servicecenter om det anbefalede hængende bånd.

⚠FORSIGTIG: Inden betjening skal du sørge for at spænderne på bæltet er låst, og at maskinen er ordentligt fastgjort til krogen på det hængende bånd.

⚠FORSIGTIG: For at forhindre utilsigtet start skal du sikre dig, at maskinen og den bærbare strømforsyning er slukket, før du starter denne procedure.

⚠FORSIGTIG: Inden du udfører denne procedure, skal du afslutte justeringerne af bæltet og skulderselen. Se i brugervejledningen for den bærbare strømforsyning angående detaljer.

For PDC1200

⚠FORSIGTIG: Når du fjerner batteriet, skal du trykke på låseknappen, mens du holder godt fast i håndtaget. Inden du fjerner batteriet, skal du indstille bæltet på den laveste position.

► Fig.15: 1. Håndtag 2. Låseknop

⚠FORSIGTIG: Pas på ikke at få fingrene eller tomlejerne i klemme mellem batteriet og grundpladen, når du monterer batteriet.

⚠FORSIGTIG: Sørg for, at batteriet er forsvarligt fastgjort til grundpladen. Ellers kan batteriet muligvis falde af, når du bærer enheden eller bruger enheden, og forårsage en skade. Hvis du kan se den røde indikator som vist på figuren, er batteriet ikke helt låst.

► Fig.16: 1. Rød indikator

For PDC01

BEMÆRK: Inden du udfører denne procedure, skal du installere akkuen/akkuerne i den bærbare strømforsyning. Se i brugervejledningen for den bærbare strømforsyning angående detaljer.

1. Træk ledningen ud fra enten venstre eller højre side af batteriet.

For PDC1200

Fjern batteriet fra grundpladen og træk derefter ledningen ud fra enten venstre eller højre side af batteriet, og fastgør derefter batteriet til grundpladen. Når du trækker ledningen ud, skal du sørge for at sætte ledningen i holderne som vist på figuren.

► Fig.17: 1. Ledning 2. Holder

For PDC01

Når du trækker ledningen ud, skal du sørge for at sætte ledningen i holderne som vist på figuren.

► Fig.18: 1. Ledning 2. Holder

2. Fastgør ledningen til ledningsholderne.

► Fig.19: 1. Ledningsholder

3. Fastgør krogene på det hængende bånd til ringene på skulderselen og bæltet.

► Fig.20: 1. Ring 2. Krog

4. Tryk på tænd/sluk-knappen på den bærbare strømforsyning. Hovedstrømlampen vil lyse.

For PDC1200

► Fig.21: 1. Afbryderknop 2. Hovedstrømlampe

For PDC01

► Fig.22: 1. Afbryderknop 2. Hovedstrømlampe

5. Tag skulderselen til den bærbare strømforsyning på og lås spændet på hoftebæltet.

► Fig.23

6. Fastgør skulderselen på maskinen ved at bruge krogen på det hængende bånd. Sørg for at hægte bøjlen på maskinen.

► Fig.24: 1. Krog 2. Bøjle

Juster længden af det hængende bånd efter behov.

► Fig.25

7. Sæt stikket på maskinen ind i stikkontakten på den bærbare strømforsyning.

Ret trekantsmærket på både stikket og stikkontakten ind, når de sættes ind i hinanden.

► Fig.26: 1. Stik 2. Stikkontakt 3. Trekantsmærke

8. Tryk på hovedafbryderen for at tænde for maskinen.

Maskinen er klar til betjening. Maskinen vil køre, når du trykker på afbryderknappen.

► Fig.27: 1. Hovedafbryder

BEMÆRK: Du kan også anvende det hængende bånd som vist på figuren.

► Fig.28

Juster længden af det hængende bånd efter behov.

► Fig.29

Betjening af blæseren

⚠FORSIGTIG: Placer ikke maskinen på jorden mens den er tændt. Sand eller støv kan muligvis komme ind i sugeåbningen og medføre en funktionsfejl eller personskade.

Hold godt fast i maskinen med én hånd og udfør blæsningen ved at bevæge den langsomt rundt. Når der blæses omkring en bygning, stor sten eller et køretøj, skal du rette mundstykket væk fra dem. Når du udfører arbejde i et hjørne, skal du starte fra hjørnet og derefter flytte til et åbent område.

► Fig.30

Når du sætter maskinen ned, skal du oplåse spændet på det hængende bånd med én hånd, mens du holder maskinen med den anden hånd.

► Fig.31: 1. Spænde

► Fig.32: 1. Spænde

Når du sætter maskinen og den bærbare strømforsyning ned på samme tid, skal du oplåse spændet på bæltet og derefter sætte maskinen og den bærbare strømforsyning ned.

► Fig.33: 1. Spænde

BEMÆRK: Når du oplåser spændet, skal du trykke på hæfterne på spændet på begge sider. Når du låser spændet, skal du indsætte hæfterne, indtil de er låst.

► Fig.34: 1. Hægte

Brug af mundstykket til tagrender

⚠FORSIGTIG: Når du anvender mundstykket til tagrender, skal du ikke anvende maskinen i boosttilstanden. Du kan muligvis miste balancen, og det kan muligvis forårsage en ulykke, eftersom luftvolumenet bliver større i boosttilstanden.

⚠FORSIGTIG: Når du anvender mundstykket til tagrender, skal du ikke holde blæseren med én hånd, men med to hænder.

► Fig.35

⚠FORSIGTIG: Brug ikke mundstykket til tagrender i nærheden af elledninger.

► Fig.36

⚠FORSIGTIG: Brug ikke mundstykket til tagrender på dag med blæst.

► Fig.37

⚠FORSIGTIG: Når du anvender mundstykket til tagrender, skal du holde andre personer eller dyr mere end 15 m væk fra blæseren.

► Fig.38

Hold blæseren opret ved at gribe håndtaget på blæseren. Placer udgangen på blæseren på tagrenden og tænd derefter for blæseren.

► Fig.39

VEDLIGEHOLDELSE

⚠FORSIGTIG: Sørg altid for, at der er slukket for maskinen, og at den bærbare strømforsyning er afbrudt fra maskinen, før der udføres eftersyn eller vedligeholdelse.

For at opretholde produktets SIKKERHED og PÅLIDELIGHED må reparation, vedligeholdelse eller justering kun udføres af et autoriseret Makita servicecenter eller fabrikkervicecenter med anvendelse af Makita reservedele.

Rengøring af maskinen

Rengør maskinen ved at aftørre støv med en tør klud eller en klud, der er dyppet i sæbevand og vredet.

► Fig.40

BEMÆRKNING: Anvend aldrig benzin, rensebenzin, fortynder, alkohol og lignende. Det kan medføre misfarvning, deformation eller revner.

Fjern støv eller snavs fra sugeåbningen bag på maskinen.

► Fig.41: 1. Sugeåbning

Opbevaring

Inden opbevaring af maskinen skal du frakoble den bærbare strømforsyning fra maskinen og foretage fuld vedligeholdelse. Opbevar maskinen på et sted uden for børns rækkevidde, og som ikke er udsat for fugt, regn eller direkte sollys.

Kroghullet i bunden af maskinen er praktisk til at hænge maskinen på et søm eller en skrue i væggen.

► Fig.42: 1. Hul

FEJLFINDING

Inden du beder om reparation, skal du først udføre din egen inspektion. Hvis du opdager et problem, som ikke er forklaret i brugsanvisningen, må du ikke forsøge at skille maskinen ad. Henvend dig i stedet til et autoriseret Makita servicecenter, og brug altid Makita-reservedele til reparationer.

Unormal tilstand	Sandsynlig årsag (fejl)	Afhjælpning
Motoren kører ikke.	Batteri er ikke indsat.	Indsæt batteriet.
	Problem med batteriet (for lav spænding)	Genoplad batteriet. Udskift batteriet, hvis genopladning ikke er effektiv.
	Drevsystemet fungerer ikke korrekt.	Kontakt det lokale autoriserede servicecenter for reparation.
Motoren holder op med at køre efter kort tids brug.	Batteriets opladningsniveau er for lavt.	Genoplad batteriet. Udskift batteriet, hvis genopladning ikke er effektiv.
	Overophedning.	Hold op med at bruge maskinen, så den kan køle af.
Maskinen når ikke den maksimale hastighed.	Batteriet er indsat forkert.	Indsæt batteriet som beskrevet i denne brugervejledning.
	Batteriladningen falder.	Genoplad batteriet. Udskift batteriet, hvis genopladning ikke er effektiv.
	Drevsystemet fungerer ikke korrekt.	Kontakt det lokale autoriserede servicecenter for reparation.
Unormal vibration: ⇒ Stop maskinen med det samme!	Drevsystemet fungerer ikke korrekt.	Kontakt det lokale autoriserede servicecenter for reparation.
Motor kan ikke stoppe: ⇒ Fjern batteriet med det samme!	Elektrisk eller elektronisk fejlfunktion.	Fjern batteriet, og kontakt det lokale autoriserede servicecenter for reparation.

EKSTRAUDSTYR

⚠ FORSIGTIG: Det følgende tilbehør og ekstraudstyr anbefales til brug med dit Makita-produkt, der er beskrevet i denne brugsanvisning. Brugen af andet tilbehør eller ekstraudstyr kan medføre risiko for personskade. Brug kun ekstraudstyr eller tilbehør til det formål, det er beregnet til.

Hvis De behøver hjælp ved valg af tilbehør eller ønsker yderligere informationer, bedes De kontakte Deres lokale Makita servicecenter.

- Adapterrør
- Forlængermundstykker
- Fladt mundstykke
- Mundstyksesæt til tagrender
- Båndmontering
- Original Makita-akku og oplader

BEMÆRK: Nogle ting på denne liste kan være inkluderet i produktpakken som standardtilbehør. De kan være forskellige fra land til land.

ΠΡΟΔΙΑΓΡΑΦΕΣ

Μοντέλο:		UB001C
Ικανότητες	Όγκος αέρα	0 - 17,6 m ³ /min
	Ταχύτητα αέρα (μέση)	0 - 58,0 m/s
	Ταχύτητα αέρα (μέγ.)	0 - 70,0 m/s
Συνολικό μήκος (με ακροφύσιο άκρου)		960 mm / 1.010 mm / 1.060 mm
Όνομαστική τάση		D.C. 36 V - 40 V μέγ.
Καθαρό βάρος		2,6 - 2,9 kg
Βαθμός προστασίας		IPX4

- Λόγω του συνεχιζόμενου προγράμματος έρευνας και ανάπτυξης, οι προδιαγραφές αυτές υπόκεινται σε αλλαγές χωρίς προειδοποίηση.
- Τα τεχνικά χαρακτηριστικά μπορεί να διαφέρουν από χώρα σε χώρα.
- Βάρος σύμφωνα με διαδικασία ΕΡΤΑ 01/2014

Εφαρμοσμένη φορητή ηλεκτρική τροφοδότηση

PDC1200 / PDC01

⚠ ΠΡΟΕΙΔΟΠΟΙΗΣΗ: Να χρησιμοποιείτε μόνο τις φορητές ηλεκτρικές τροφοδοτήσεις που παρατίθενται ανωτέρω. Η χρήση οποιασδήποτε άλλης φορητής ηλεκτρικής τροφοδότησης μπορεί να προκαλέσει τραυματισμό ή/και πυρκαγιά.

Σύμβολα

Παρακάτω παρουσιάζονται τα σύμβολα που μπορούν να χρησιμοποιηθούν για τον εξοπλισμό. Βεβαιωθείτε ότι κατανοείτε τη σημασία τους πριν από τη χρήση.

	Απαιτούνται ιδιαίτερη φροντίδα και προσοχή.
	Διαβάστε το εγχειρίδιο οδηγιών.
	Να κρατάτε τα χέρια σας μακριά από τα περιστρεφόμενα μέρη.
	Τα μακριά μαλλιά μπορεί να προκαλέσουν ατύχημα μπλεξίματος.
	Να απομακρύνετε τυχόν παρευρισκόμενους.
	Να φοράτε προστασία ματιών και υποασπίδες.
	Μην εκθέτετε σε υγρασία.

Μόνο για τις χώρες της ΕΕ
Μην απορρίπτετε ηλεκτρικό εξοπλισμό ή την μπαταρία μαζί με τα οικιακά απορρίμματα! Σύμφωνα με τις Ευρωπαϊκές Οδηγίες για τον απόβλητο ηλεκτρικό και ηλεκτρονικό εξοπλισμό και τις μπαταρίες και συσσωρευτές και τις απόβλητες μπαταρίες και συσσωρευτές και την ενσωμάτωσή τους σύμφωνα με την εθνική νομοθεσία, ο ηλεκτρικός εξοπλισμός και η μπαταρία και τα πακέτα μπαταριών που έχουν φτάσει το τέλος ζωής τους πρέπει να συλλέγονται ξεχωριστά και να επιστρέφονται σε εγκαταστάσεις περιβαλλοντικά συμβατής ανακύκλωσης.

Προοριζόμενη χρήση

Το μηχάνημα προορίζεται για το φύσημα σκόνης.

Θόρυβος

Το τυπικό Α επίπεδο καταμετρημένου θορύβου καθορίζεται σύμφωνα με το EN50636-2-100:
Στάθμη ηχητικής πίεσης (L_{pA}): 83,4 dB (A)
Αβεβαιότητα (K): 2,2 dB (A)
Στάθμη ηχητικής ισχύος (L_{WA}): 91,4 dB (A)
Αβεβαιότητα (K): 2,5 dB (A)

ΠΑΡΑΤΗΡΗΣΗ: Η δηλωμένη τιμή(ές) εκπομπής θορύβου έχει μετρηθεί σύμφωνα με την πρότυπη μέθοδο δοκιμής και μπορεί να χρησιμοποιηθεί για τη σύγκριση ενός εργαλείου με κάποιο άλλο.

ΠΑΡΑΤΗΡΗΣΗ: Η δηλωμένη τιμή(ές) εκπομπής θορύβου μπορεί να χρησιμοποιηθεί και στην προκαταρκτική αξιολόγηση της έκθεσης.

⚠ ΠΡΟΕΙΔΟΠΟΙΗΣΗ: Να φοράτε υποασπίδες.

⚠ ΠΡΟΕΙΔΟΠΟΙΗΣΗ: Η εκπομπή θορύβου κατά τη χρήση του ηλεκτρικού εργαλείου σε πραγματικές συνθήκες μπορεί να διαφέρει από τη δηλωμένη τιμή(ές) ανάλογα με τους τρόπους χρήσης του εργαλείου, ιδιαίτερα το είδος του τεμαχίου εργασίας που υπόκειται επεξεργασία.

⚠ ΠΡΟΕΙΔΟΠΟΙΗΣΗ: Φροντίστε να λάβετε τα κατάλληλα μέτρα προστασίας του χειριστή βάσει ενός υπολογισμού της έκθεσης σε πραγματικές συνθήκες χρήσης (λαμβάνοντας υπόψη όλες τις συνιστώσες του κύκλου λειτουργίας όπως τους χρόνους που το εργαλείο είναι εκτός λειτουργίας και όταν βρίσκεται σε αδρανή λειτουργία πέραν του χρόνου ενεργοποίησης).

Κραδασμός

Η ολική τιμή δόνησης (άθροισμα τρι-αξονικού διανύσματος) καθορίζεται σύμφωνα με το EN50636-2-100:
Είδος εργασίας: Λειτουργία χωρίς φορτίο
Εκπομπή δόνησης (a_{h1}): 2,5 m/s² ή λιγότερο
Αβεβαιότητα (K): 1,5 m/s²

ΠΑΡΑΤΗΡΗΣΗ: Η δηλωμένη τιμή(ές) συνολικών κραδασμών έχει μετρηθεί σύμφωνα με την πρότυπη μέθοδο δοκιμής και μπορεί να χρησιμοποιηθεί για τη σύγκριση ενός εργαλείου με κάποιο άλλο.

ΠΑΡΑΤΗΡΗΣΗ: Η δηλωμένη τιμή(ές) συνολικών κραδασμών μπορεί να χρησιμοποιηθεί και στην προκαταρκτική αξιολόγηση της έκθεσης.

▲ ΠΡΟΕΙΔΟΠΟΙΗΣΗ: Η εκπομπή κραδασμών κατά τη χρήση του ηλεκτρικού εργαλείου σε πραγματικές συνθήκες μπορεί να διαφέρει από τη δηλωμένη τιμή(ές) εκπομπής ανάλογα με τους τρόπους χρήσης του εργαλείου, ιδιαίτερα το είδος του τεμαχίου εργασίας που υπόκειται επεξεργασία.

▲ ΠΡΟΕΙΔΟΠΟΙΗΣΗ: Φροντίστε να λάβετε τα κατάλληλα μέτρα προστασίας του χειριστή βάσει ενός υπολογισμού της έκθεσης σε πραγματικές συνθήκες χρήσης (λαμβάνοντας υπόψη όλες τις συνιστώσες του κύκλου λειτουργίας όπως τους χρόνους που το εργαλείο είναι εκτός λειτουργίας και όταν βρίσκεται σε αδρανή λειτουργία πέραν του χρόνου ενεργοποίησης).

Δήλωση συμμόρφωσης ΕΚ

Μόνο για χώρες της Ευρώπης

Η δήλωση συμμόρφωσης ΕΚ περιλαμβάνεται ως Παράρτημα Α στο παρόν εγχειρίδιο οδηγιών.

ΠΡΟΕΙΔΟΠΟΙΗΣΕΙΣ ΑΣΦΑΛΕΙΑΣ

Οδηγίες ασφάλειας για τον φουσητήρα με μπαταρία

▲ ΠΡΟΕΙΔΟΠΟΙΗΣΗ: Διαβάστε όλες τις προειδοποιήσεις για την ασφάλεια και όλες τις οδηγίες. Η μη τήρηση των προειδοποιήσεων και οδηγιών μπορεί να καταλήξει σε ηλεκτροπληξία, πυρκαγιά ή/και σοβαρό τραυματισμό.

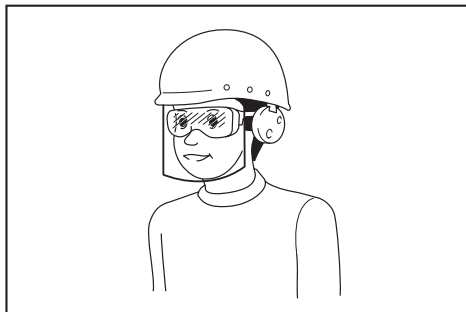
Φυλάξτε όλες τις προειδοποιήσεις και τις οδηγίες για μελλοντική παραπομπή.

Εκπαίδευση

1. Διαβάστε τις οδηγίες προσεκτικά. Εξοικειωθείτε με τα χειριστήρια και τη σωστή χρήση του φουσητήρα.
2. Μην επιτρέπετε ποτέ σε παιδιά, σε άτομα με μειωμένες σωματικές, αισθητήριες ή διανοητικές ικανότητες ή χωρίς πείρα και γνώσεις ή σε άτομα που δεν γνωρίζουν αυτές τις οδηγίες να χρησιμοποιούν αυτόν το φουσητήρα. Μπορεί να υπάρχει περιορισμός ηλικίας για το χειριστή βάσει των τοπικών κανονισμών.
3. Μη χειρίζεστε ποτέ το φουσητήρα όταν άλλα άτομα, ειδικά παιδιά ή κατοικίδια, βρίσκονται σε κοντινή απόσταση.
4. Να θυμάστε ότι ο χειριστής ή ο χρήστης είναι υπεύθυνος για ατυχήματα ή κινδύνους που υφίστανται άλλα άτομα ή η ιδιοκτησία τους.

Προετοιμασία

1. Κατά τη λειτουργία του φουσητήρα, να φοράτε πάντα κατάλληλα υποδήματα και μακρύ παντελόνι.
2. Μη φοράτε φαρδιά ρούχα ή κοσμήματα που μπορούν να αναρροφηθούν στην είσοδο αέρα. Να διατηρείτε τα μακριά μαλλιά μακριά από τις εισόδους αέρα.
3. Να φοράτε πάντα προστατευτικά γυαλιά για να προστατευτείτε τα μάτια σας από τραυματισμό όταν χρησιμοποιείτε ηλεκτρικά εργαλεία. Τα προστατευτικά γυαλιά πρέπει να συμμορφώνονται με το πρότυπο ANSI Z87.1 στις ΗΠΑ, το πρότυπο EN 166 στην Ευρώπη ή το πρότυπο AS/NZS 1336 στην Αυστραλία/Νέα Ζηλανδία. Στην Αυστραλία/Νέα Ζηλανδία, απαιτείται από το νόμο να φοράτε και προσωπίδα για την προστασία του προσώπου σας.



Ο εργοδότης έχει την ευθύνη να επιβάλλει τη χρήση κατάλληλου προστατευτικού εξοπλισμού ασφαλείας από τους χειριστές του εργαλείου και από άλλα άτομα που βρίσκονται στην άμεση περιοχή εργασίας.

4. Για να αποφευχθεί ο ερεθισμός από τη σκόνη, συνιστάται να φοράτε μάσκα προσώπου.
5. Κατά τη λειτουργία του μηχανήματος, να φοράτε πάντα αντιολισθητικά και προστατευτικά υποδήματα. Οι αντιολισθητικές, κλειστές μπότες και παπούτσια ασφαλείας θα μειώσουν τον κίνδυνο τραυματισμού.
6. Να χρησιμοποιείτε ατομικό εξοπλισμό προστασίας. Να φοράτε πάντα προστασία ματιών. Εάν χρησιμοποιείτε το σωστό προστατευτικό εξοπλισμό, όπως προσωπίδα κατά της σκόνης, αντιολισθητικά υποπόδια ασφαλείας, κράνος ή προστατευτικό ακοής, ανάλογα με τις συνθήκες, θα μειωθεί ο κίνδυνος πρόκλησης προσωπικών τραυματισμών.
7. Επιθεωρήστε το καλώδιο πριν θέσετε το μηχάνημα σε λειτουργία. Αν το καλώδιο έχει ζημιά, απευθυνθείτε σε εξουσιοδοτημένα κέντρα σέρβις της Makita για επισκευή.

Λειτουργία

1. Σβήστε τον φουσητήρα, βγάλτε την μπαταρία και βεβαιωθείτε ότι όλα τα κινούμενα μέρη έχουν ακινητοποιηθεί πλήρως
 - κάθε φορά που απομακρύνετε από το φουσητήρα.
 - πριν καθαρίσετε εμπλοκές.
 - πριν ελέγξετε ή καθαρίσετε το φουσητήρα ή πριν εκτελέσετε εργασίες σε αυτόν.
 - αν ο φουσητήρας αρχίσει να δονείται μη φυσιολογικά.

2. Να χειρίζεστε το φυσητήρα μόνο όταν έχει ακόμα φως έξω ή με καλό τεχνητό φωτισμό.
3. Μην τεντώνετε υπερβολικά και να διατηρείτε πάντα την ισορροπία και το πάτημά σας.
4. Να είστε πάντα βέβαιοι ότι έχετε καλό πάτημα σε πλαγιές.
5. Να περπατάτε, να μην τρέχετε ποτέ.
6. Να διατηρείτε καθαρές όλες τις εισόδους του αέρα ψύξης.
7. Ποτέ μην φυσάτε σκουπίδια προς την κατεύθυνση των παρευρισκομένων.
8. Να χειρίζεστε το φυσητήρα από μια συνιστώμενη στάση και σε σταθερή επιφάνεια.
9. Μην θέτετε τον φυσητήρα σε λειτουργία από ψηλά μέρη.
10. Μη στρέψετε ποτέ το ακροφύσιο προς άλλα κοντινά άτομα όταν χρησιμοποιείτε το φυσητήρα.
11. Μη φράζετε ποτέ την είσοδο αναρρόφησης ή/και έξοδο φυσητήρα.
 - Προσέχετε να μην φράζετε την είσοδο αναρρόφησης ή την έξοδο φυσητήρα με σκόνη ή βρομιά όταν το χρησιμοποιείτε σε περιοχή με πολλή σκόνη.
 - Μην χρησιμοποιείτε ακροφύσια διαφορετικά από τα ακροφύσια που παρέχει η Makita.
 - Μη χρησιμοποιείτε το φυσητήρα για να φυσώσετε μπάλες, λαστιχένιες βάρκες ή παρόμοια.

12. Μην χειρίζεστε το φυσητήρα κοντά σε ανοιχτό παράθυρο, κτλ.
13. Συνιστάται η χρήση του φυσητήρα μόνο λογικές ώρες - όχι νωρίς το πρωί ή αργά τη νύχτα όταν οι άνθρωποι μπορεί να ενοχλούνται.
14. Συνιστάται η χρήση τσουκράνας και σκούπας για να χαλαρώσετε τις ακαθαρσίες πριν χρησιμοποιήσετε το φυσητήρα.
15. Αν ο φυσητήρας χτυπήσει κάποιο ξένο αντικείμενο ή αρχίσει να παράγει ασυνήθιστο θόρυβο ή κραδασμούς, σβήστε αμέσως τον φυσητήρα για να τον σταματήσετε. Βγάλτε την μπαταρία από τον φυσητήρα και επιθεωρήστε τον φυσητήρα για ζημιά πριν εκκινήσετε ξανά και χειριστείτε τον φυσητήρα. Αν ο φυσητήρας έχει ζημιά, απευθυνθείτε σε εξουσιοδοτημένα κέντρα σέρβις της Makita για επισκευή.
16. Μην εισαγάγετε τα δάχτυλα ή άλλα αντικείμενα στην είσοδο αναρρόφησης ή στην έξοδο φυσητήρα.
17. Να αποφεύγετε την αθέλητη ενεργοποίηση του εργαλείου. Βεβαιωθείτε ότι ο διακόπτης βρίσκεται στην ανενεργή θέση πριν τοποθετήσετε την μπαταρία, σηκώσετε ή μεταφέρετε τον φυσητήρα. Αν μεταφέρετε το φυσητήρα με το δάχτυλό σας στο διακόπτη ή αν ενεργοποιήσετε τον ηλεκτρισμό προς το φυσητήρα όταν ο διακόπτης είναι στην ενεργή θέση, μπορεί να προκληθούν ατυχήματα.
18. Μην φυσάτε ποτέ επικίνδυνα υλικά, όπως καρφιά, κομμάτια γυαλιού ή λάμες.
19. Μην χειρίζεστε τον φυσητήρα κοντά σε εύφλεκτα υλικά.
20. Αποφεύγετε τη λειτουργία του φυσητήρα για μεγάλο χρονικό διάστημα σε περιβάλλον με χαμηλή θερμοκρασία.
21. Μην χρησιμοποιείτε το μηχάνημα όταν υπάρχει κίνδυνος για κεραυνούς.
22. Όταν χρησιμοποιείτε το μηχάνημα σε λασπώδη έδαφος, βρεγμένες κλίσεις ή ολισθηρό μέρος, να προσέχετε το πάτημά σας.
23. Αποφεύγετε να εργάζεστε σε κακό περιβάλλον, όπου αναμένεται αυξημένη κόπωση του χρήστη.
24. Μη χρησιμοποιείτε το μηχάνημα σε άσχημες καιρικές συνθήκες, όταν η ορατότητα είναι περιορισμένη. Αν δεν τηρήσετε αυτή την προειδοποίηση, μπορεί να προκληθεί πτώση ή λανθασμένη λειτουργία λόγω χαμηλής ορατότητας.
25. Μην βυθίζετε το μηχάνημα σε λακκούβα.
26. Όταν βρεγμένα φύλλα ή χώμα κολλούν στο στόμιο αναρρόφησης (παράθυρο εξαερισμού) λόγω βροχής, αφαιρέστε τα.

Συντήρηση και αποθήκευση

1. Διατηρήστε όλα τα παζμιά, τα μπουλόνια και τις βίδες σφικτά για να εξασφαλίσετε ότι ο φυσητήρας βρίσκεται σε ασφαλή κατάσταση λειτουργίας.
2. Αν τα μέρη είναι φθαρμένα ή κατεστραμμένα, αντικαταστήστε τα με μέρη που παρέχει η Makita.
3. Φυλάξτε το φυσητήρα σε ένα στεγνό μέρος μακριά από παιδιά.
4. Όταν διακόπτετε τη λειτουργία του φυσητήρα για επιθεώρηση, σέρβις, αποθήκευση ή αλλαγή εξαρτημάτων, σβήστε τον φυσητήρα και βεβαιωθείτε ότι όλα τα κινούμενα μέρη είναι εντελώς ακινητοποιημένα, και βγάλτε την μπαταρία. Να αφήνετε τη θερμοκρασία του φυσητήρα να μειωθεί πριν εκτελέσετε οποιαδήποτε εργασία στον φυσητήρα. Να συντηρείτε τον φυσητήρα με προσοχή και να τον διατηρείτε καθαρό.
5. Πάντα να αφήνετε το φυσητήρα να κρυώσει πριν την αποθήκευση.
6. Να μην εκθέτετε τον φυσητήρα στη βροχή. Να αποθηκεύετε τον φυσητήρα σε εσωτερικό χώρο.
7. Όταν σηκώνετε τον φυσητήρα, φροντίστε να λυγίζετε τα γόνατά σας και προσέξτε να μην χτυπήσετε την πλάτη σας.
8. Μην αφήνετε το μηχάνημα χωρίς επιτήρηση σε εξωτερικούς χώρους στη βροχή.
9. Μην πλένετε το μηχάνημα με νερό υψηλής πίεσης.
10. Όταν αποθηκεύετε το μηχάνημα, να αποφεύγετε την άμεση ηλιοβλασία και τη βροχή, και να το αποθηκεύσετε σε ένα μέρος όπου δεν υπάρχει πολύ ζέστη και υγρασία.
11. Εκτελέστε τις εργασίες επιθεώρησης και συντήρησης σε ένα μέρος όπου μπορεί να αποφευχθεί η βροχή.
12. Μετά τη χρήση του μηχανήματος, αφαιρέστε το προσκολλημένο χώμα και στεγνώστε το μηχάνημα εντελώς πριν την αποθήκευση. Ανάλογα με την εποχή ή την περιοχή, υπάρχει κίνδυνος δυσλειτουργίας λόγω παγώματος.
13. Μην σηκώνετε και μην μεταφέρετε το μηχάνημα μόνο από το καλώδιο.

Χρήση και φροντίδα μπαταριών

1. Να επαναφορτίζετε τις μπαταρίες μόνο με το φορτιστή που καθορίζεται από τον κατασκευαστή. Ένας φορτιστής που είναι κατάλληλος για μια συγκεκριμένη μπαταρία μπορεί να δημιουργήσει κίνδυνο πυρκαγιάς όταν χρησιμοποιείται με μια άλλη μπαταρία.

2. Να χρησιμοποιείτε ηλεκτρικά εργαλεία μόνο με ειδικά καθορισμένες μπαταρίες. Η χρήση κάθε άλλου μπαταρίας μπορεί να δημιουργήσει κίνδυνο τραυματισμού ή πυρκαγιάς.
3. Όταν δεν χρησιμοποιείται η κασέτα μπαταριών, διατηρήστε τη μακριά από άλλα μεταλλικά αντικείμενα, όπως συνδετήρες, κέρματα, κλειδιά, καρφιά, βίδες ή άλλα μικρά μεταλλικά αντικείμενα, με τα οποία μπορεί να δημιουργηθεί σύνδεση από τον έναν ακροδέκτη στον άλλον. Το βραχυκύκλωμα των ακροδεκτών της μπαταρίας μπορεί να προκαλέσει εγκαύματα ή πυρκαγιά.
4. Υπό συνθήκες κατάχρησης, μπορεί να εξαχθεί υγρό από την μπαταρία. Να αποφεύγετε την επαφή. Εάν συμβεί επαφή κατά λάθος, εκπλύνετε με νερό. Εάν το υγρό έρθει σε επαφή με τα μάτια, αναζητήστε και ιατρική βοήθεια. Το υγρό που εξάγεται από την μπαταρία μπορεί να προκαλέσει ερεθισμό ή εγκαύματα.
5. Μην χρησιμοποιείτε μια κασέτα μπαταριών ή εργαλείο που έχει καταστραφεί ή τροποποιηθεί. Οι κατεστραμμένες ή τροποποιημένες μπαταρίες μπορεί να παρουσιάζουν απρόβλεπτη συμπεριφορά που έχει ως αποτέλεσμα πυρκαγιά, έκρηξη ή κίνδυνο τραυματισμού.
6. Μην εκθέτετε την κασέτα μπαταριών ή το εργαλείο σε πυρκαγιά ή υπερβολικά υψηλή θερμοκρασία. Η έκθεση στην πυρκαγιά ή στη θερμοκρασία άνω των 130 °C μπορεί να προκαλέσει έκρηξη.
7. Ακολουθήστε όλες τις οδηγίες φόρτισης και μην φορτίσετε την κασέτα μπαταριών ή το εργαλείο εκτός του θερμοκρασιακού εύρους που καθορίζεται στις οδηγίες. Η λανθασμένη φόρτιση ή η φόρτιση σε θερμοκρασίες εκτός του καθορισμένου εύρους μπορεί να προκαλέσει ζημιά στην μπαταρία και να αυξήσει τον κίνδυνο πυρκαγιάς.
10. Αν η μπαταρία βραχεί, αποστραγγίστε το νερό από το εσωτερικό και μετά σκουπίστε την με ένα στεγνό πανί. Στεγνώστε την μπαταρία εντελώς σε ένα στεγνό μέρος πριν τη χρησιμοποιήσετε.

Σέρβρις

1. Να φροντίζετε το σέρβρις του ηλεκτρικού εργαλείου σας να γίνεται από αρμόδιο επαγγελματία χρησιμοποιώντας μόνο γνήσια ανταλλακτικά. Έτσι θα είστε σίγουροι για τη διατήρηση της ασφάλειας του ηλεκτρικού εργαλείου.
2. Μην εκτελείτε ποτέ εργασίες σέρβρις σε κατεστραμμένες κασέτες μπαταριών. Οι εργασίες σέρβρις των κασετών μπαταριών θα πρέπει να εκτελούνται μόνο από τον κατασκευαστή ή από εξουσιοδοτημένους παρόχους σέρβρις.

ΦΥΛΑΞΤΕ ΤΙΣ ΟΔΗΓΙΕΣ ΑΥΤΕΣ.

▲ΠΡΟΕΙΔΟΠΟΙΗΣΗ: ΜΗΝ επιτρέψετε στην άνεση ή στην εξοικειώσή σας με το προϊόν (που αποκτήθηκε από επανειλημμένη χρήση) να αντικαταστήσει την αυστηρή τήρηση των κανόνων ασφαλείας του παρόντος εργαλείου.

Η ΛΑΝΘΑΣΜΕΝΗ ΧΡΗΣΗ ή η αμέλεια να ακολουθήσετε τους κανόνες ασφαλείας που διατυπώνονται στο παρόν εγχειρίδιο οδηγιών μπορεί να προκαλέσει σοβαρό προσωπικό τραυματισμό.

Σημαντικές οδηγίες ασφάλειας για κασέτα μπαταριών

1. Πριν χρησιμοποιήσετε την κασέτα μπαταριών, διαβάστε όλες τις οδηγίες και σημειώσεις προφύλαξης (1) στον φορτιστή μπαταριών, (2) στην μπαταρία και (3) στο προϊόν που χρησιμοποιείτε την μπαταρία.
 2. Μην αποσυναρμολογήσετε ή παραβιάσετε την κασέτα μπαταριών. Μπορεί να έχει ως αποτέλεσμα πυρκαγιά, υπερθέρμανση ή έκρηξη.
 3. Εάν ο χρόνος λειτουργίας έχει γίνει υπερβολικά βραχύς, σταματήστε τη λειτουργία αμέσως. Αλλιώς, μπορεί να έχει ως αποτέλεσμα κίνδυνο υπερθέρμανσης, πιθανά εγκαύματα ή ακόμη και έκρηξη.
 4. Εάν ηλεκτρολύτης μπει στα μάτια σας, ξεπλύνετε τα με καθαρό νερό και ζητήστε ιατρική φροντίδα αμέσως. Αλλιώς, μπορεί να έχει ως αποτέλεσμα απώλεια της όρασης σας.
 5. Μην βραχυκυκλώνετε την κασέτα μπαταριών:
 - (1) Μην αγγίζετε τους πόλους με οτιδήποτε αγώγιμο υλικό.
 - (2) Αποφεύγετε να αποθηκεύετε την κασέτα μπαταριών μέσα σε ένα δοχείο μαζί με άλλα μεταλλικά αντικείμενα όπως καρφιά, νομίσματα, κλπ.
 - (3) Μην εκθέτετε την κασέτα μπαταριών στο νερό ή στη βροχή.
- Ένα βραχυκύκλωμα μπαταρίας μπορεί να προκαλέσει μεγάλη ροή ρεύματος, υπερθέρμανση, πιθανά εγκαύματα ακόμη και σοβαρή βλάβη.
6. Μην αποθηκεύετε και μην χρησιμοποιείτε το εργαλείο και την κασέτα μπαταριών σε τοποθεσίες όπου η θερμοκρασία μπορεί να φτάσει ή να ξεπεράσει τους 50°C.

Ηλεκτρική ασφάλεια και ασφάλεια μπαταρίας

1. Μην απορρίπτετε την μπαταρία(ίες) στη φωτιά. Το καλί μπορεί να εκραγεί. Συμβουλευτείτε τους τοπικούς νόμους για πιθανές ειδικές οδηγίες απόρριψης.
2. Μην απορρίπτετε και μην καταστρέψετε την μπαταρία(ίες). Ο ηλεκτρολύτης που εκλύεται είναι διαβρωτικός και μπορεί να προκαλέσει ζημιά στα μάτια ή στο δέρμα. Σε περίπτωση κατάποσης, μπορεί να είναι τοξικό.
3. Μην φορτίζετε την μπαταρία στη βροχή, αλλά ούτε σε υγρές τοποθεσίες.
4. Μην φορτίζετε τη μπαταρία σε εξωτερικό χώρο.
5. Μην χειρίζεστε τον φορτιστή, συμπεριλαμβανομένου του φινιρίσματος, και τους ακροδέκτες φορτιστή με βρεγμένα χέρια.
6. Μην αλλάζετε την μπαταρία στη βροχή.
7. Μην βρέχετε τον πόλο της μπαταρίας με υγρό, όπως το νερό, και μη βυθίζετε την μπαταρία σε υγρό. Μην αφήνετε την μπαταρία στη βροχή, και μην φορτίζετε, χρησιμοποιείτε ή αποθηκεύετε την μπαταρία σε υγρό ή βρεγμένο μέρος. Αν ο πόλος βρεχτεί ή εισέλθει υγρό στο εσωτερικό της μπαταρίας, η μπαταρία μπορεί να βραχυκυκλώσει και να υπάρχει κίνδυνος υπερθέρμανσης, πυρκαγιάς ή έκρηξης.
8. Αφού αφαιρέσετε την μπαταρία από το μηχανήμα ή τον φορτιστή, φροντίστε να συνδέσετε το κάλυμμα μπαταριών στην μπαταρία και να την αποθηκεύσετε σε στεγνό μέρος.
9. Μην αλλάζετε την μπαταρία με βρεγμένα χέρια.

7. Μην καίτε την κασέτα μπαταριών ακόμη και εάν έχει σοβαρή ζημιά ή είναι εντελώς φθαρμένη. Η κασέτα μπαταριών μπορεί να εκραγεί στη φωτιά.
8. Μην κορφώσετε, κόψετε, συνθλίψετε, πετάξετε ή ρίξετε κάτω την κασέτα μπαταριών, ούτε να χτυπήσετε ένα σκληρό αντικείμενο επάνω στην κασέτα μπαταριών. Τέτοια συμπεριφορά μπορεί να έχει ως αποτέλεσμα πυρκαγιά, υπερθέρμανση ή έκρηξη.
9. Μη χρησιμοποιείτε μπαταρία που έχει υποστεί ζημία.
10. Οι μπαταρίες ιόντων λιθίου που περιέχονται υποκείνται στις απαιτήσεις της νομοθεσίας για επικίνδυνα αγαθά.
Για εμπορικές μεταφορές, για παράδειγμα από τρίτα μέρη, πρέπει να τηρούνται οι διαμεταφορές, οι ειδικές απαιτήσεις στη συσκευασία και η επισήμανση. Για προετοιμασία του στοιχείου που αποστέλλεται, είναι απαραίτητο να συμβουλευτείτε έναν ειδικό για επικίνδυνα υλικά. Επίσης, τηρήστε τους πιθανούς, πιο αναλυτικούς εθνικούς κανονισμούς. Καλύψτε με αυτοκόλλητη ταινία ή κρύψτε τις ανοικτές επαφές και συσκευάστε την μπαταρία με τρόπο που να μην μπορεί να μετακινείται μέσα στη συσκευασία.
11. Όταν απορρίπτετε την κασέτα μπαταριών, αφαιρέστε την από το εργαλείο και διαθέστε την σε ένα ασφαλές μέρος. Τηρήστε τους τοπικούς κανονισμούς που σχετίζονται με τη διάθεση της μπαταρίας.
12. Χρησιμοποιήστε τις μπαταρίες μόνο με τα προϊόντα που καθορίζει η Makita. Αν τοποθετήσετε τις μπαταρίες σε μη συμβατά προϊόντα μπορεί να έχει ως αποτέλεσμα πυρκαγιά, υπερβολική θερμότητα, έκρηξη ή διαρροή ηλεκτρολύτη.
13. Αν δεν χρησιμοποιείτε το εργαλείο για μεγάλο χρονικό διάστημα, πρέπει να βγάλετε την μπαταρία από το εργαλείο.
14. Κατά τη διάρκεια και μετά τη χρήση, η κασέτα μπαταριών μπορεί να θερμανθεί, γεγονός που μπορεί να προκαλέσει εγκαύματα ή εγκαύματα από χαμηλή θερμοκρασία. Προσέχετε το χειρισμό των ζεστών κασετών μπαταριών.
15. Μην αγγίζετε τον ακροδέκτη του εργαλείου αμέσως μετά τη χρήση επειδή μπορεί να έχει ζεσταθεί αρκετά για να προκαλέσει εγκαύματα.
16. Μην αφήνετε θραύσματα, σκόνη ή βρομιά να κολλήσει στους ακροδέκτες, τις οπές και τις εγκοπές της κασέτας μπαταριών. Μπορεί να έχει ως αποτέλεσμα κακή απόδοση ή σπάσιμο του εργαλείου ή της κασέτας μπαταριών.
17. Εκτός αν το εργαλείο υποστηρίζει τη χρήση κοντά σε ηλεκτρικές γραμμές υψηλής τάσης, μην χρησιμοποιείτε την κασέτα μπαταριών κοντά σε ηλεκτρικές γραμμές υψηλής τάσης. Μπορεί να έχει ως αποτέλεσμα δυσλειτουργία ή σπάσιμο του εργαλείου ή της κασέτας μπαταριών.
18. Κρυστάλλοι την μπαταρία μακριά από παιδιά.

ΦΥΛΑΞΤΕ ΤΙΣ ΟΔΗΓΙΕΣ ΑΥΤΕΣ.

▲ΠΡΟΣΟΧΗ: Να χρησιμοποιείτε μόνο γνήσιες μπαταρίες της Makita. Η χρήση μη γνήσιων μπαταριών Makita, ή μπαταριών που έχουν τροποποιηθεί, μπορεί να έχει ως αποτέλεσμα τη ρήξη της μπαταρίας, προκαλώντας πυρκαγιά, προσωπικό τραυματισμό και βλάβη. Επίσης, θα ακυρωθεί η εγγύηση της Makita για το εργαλείο και φορτιστή Makita.

Συμβουλές για τη διατήρηση της μέγιστης ζωής μπαταρίας

1. Φορτίστε την κασέτα μπαταριών πριν από την πλήρη αποφόρτιση της. Πάντοτε να σταματάτε τη λειτουργία του εργαλείου και να φορτίζετε την κασέτα μπαταριών όταν παρατηρείτε μειωμένη ισχύ εργαλείου.
2. Ποτέ μην επαναφορτίσετε μια πλήρως φορτισμένη κασέτα μπαταριών. Η υπερφόρτιση μειώνει την ωφέλιμη ζωή της μπαταρίας.
3. Η φόρτιση της κασέτα μπαταριών σε θερμοκρασία δωματίου, δηλαδή στους 10°C έως 40°C. Αφήστε μια θερμή κασέτα μπαταριών να κρυώσει πριν την φορτίσετε.
4. Όταν δεν χρησιμοποιείτε την κασέτα μπαταριών, αφαιρέστε την από το εργαλείο ή τον φορτιστή.
5. Να φορτίζετε την κασέτα μπαταριών εάν δεν τη χρησιμοποιείτε για μεγάλη χρονική περίοδο (περισσότερο από έξι μήνες).

ΣΥΝΑΡΜΟΛΟΓΗΣΗ

▲ΠΡΟΣΟΧΗ: Να φροντίζετε πάντα για την απενεργοποίηση του μηχανήματος και την αποσύνδεση της φορητής ηλεκτρικής τροφοδότησης από το μηχανήμα πριν πραγματοποιήσετε οποιαδήποτε λειτουργία στο μηχανήμα.

Τοποθέτηση του ακροφυσίου άκρου

Ευθυγραμμίστε την ένδειξη τριγώνου στο ακροφύσιο άκρου με την ένδειξη τριγώνου στον μπροστινό σωλήνα, μετά προσαρτήστε το ακροφύσιο άκρου στον μπροστινό σωλήνα και τέλος περιστρέψτε το ακροφύσιο άκρου για να το ασφαλίσετε στη θέση του. Τοποθετήστε το ακροφύσιο άκρου με τρόπο ώστε η μύτη του ακροφυσίου να είναι στραμμένη προς τα κάτω. Ανάλογα με το περιβάλλον εργασίας, μπορείτε να τοποθετήσετε το ακροφύσιο άκρου με τρόπο ώστε η μύτη του ακροφυσίου να είναι στραμμένη προς τα πάνω.

► **Εικ.1:** 1. Ένδειξη τριγώνου 2. Ακροφύσιο άκρου 3. Μπροστινός σωλήνας

Για να αφαιρέσετε το ακροφύσιο άκρου, εκτελέστε τη διαδικασία τοποθέτησης με αντίστροφη σειρά.

ΠΑΡΑΤΗΡΗΣΗ: Το μήκος του ακροφυσίου μπορεί να αλλάξει αν μετακινήσετε το ακροφύσιο όπως απεικονίζεται στην εικόνα.

► **Εικ.2:** 1. Ακροφύσιο άκρου 2. Μπροστινός σωλήνας

Τοποθέτηση του επίπεδου ακροφυσίου ή του ακροφυσίου προέκτασης

Προαιρετικό εξάρτημα

1. Ευθυγραμμίστε την εγκοπή στον σωλήνα προσαρμογής με την προέξοχη στον μπροστινό σωλήνα, μετά προσαρτήστε τον σωλήνα προσαρμογής στον μπροστινό σωλήνα και τέλος περιστρέψτε τον για να τον ασφαλίσετε στη θέση του.

► **Εικ.3:** 1. Σωλήνας προσαρμογής 2. Μπροστινός σωλήνας

2. Ευθυγραμμίστε την εγκοπή στο επίπεδο ακροφύσιο ή στο ακροφύσιο προέκτασης με την προέξοχη στον σωλήνα προσαρμογής, μετά προσαρτήστε το επίπεδο ακροφύσιο ή το ακροφύσιο προέκτασης στον σωλήνα προσαρμογής και τέλος περιστρέψτε τον για να τον ασφαλίσετε στη θέση του.

► **Εικ.4:** 1. Επίπεδο ακροφύσιο 2. Ακροφύσιο προέκτασης 3. Σωλήνας προσαρμογής

Τοποθέτηση του σετ ακροφυσίου για λούκια

Προαιρετικό εξάρτημα

1. Ευθυγραμμίστε την εγκοπή στον σωλήνα προσαρμογέα με την προεξοχή στον μπροστινό σωλήνα, μετά προσαρτήστε τον σωλήνα προσαρμογέα στον μπροστινό σωλήνα και τέλος περιστρέψτε τον για να τον ασφαλίσετε στη θέση του.

Εισαγάγετε τον σωλήνα προσαρμογέα μέχρι τέρμα ώστε η προεξοχή να ταιριάζει στη βαθύτερη εγκοπή στον σωλήνα προσαρμογέα.

► **Εικ.5:** 1. Βίδα 2. Σφιγκτήρας εύκαμπτου σωλήνα 3. Σωλήνας προσαρμογέα 4. Μπροστινός σωλήνας

2. Χαλαρώστε τις βίδες στους σφιγκτήρες εύκαμπτου σωλήνα και περάστε τον μεγάλο σφιγκτήρα εύκαμπτου σωλήνα μέσα από τον σωλήνα προσαρμογέα και, στη συνέχεια, περάστε τον μικρό σφιγκτήρα εύκαμπτου σωλήνα.

3. Συνδέστε το σωλήνα επέκτασης στον σωλήνα προσαρμογέα.

Ευθυγραμμίστε την εγκοπή στον σωλήνα προέκτασης προς την προεξοχή στον σωλήνα προσαρμογέα και μετά σύρετε τον σωλήνα προέκτασης κατά μήκος της εγκοπής του, ώστε οι ενδείξεις τριγώνου να είναι στραμμένες μεταξύ τους.

► **Εικ.6:** 1. Σωλήνας προέκτασης 2. Σωλήνας προσαρμογέα

4. Τοποθετήστε τους σφιγκτήρες σωλήνα στις εγκοπές όπως απεικονίζεται και σφίξτε τις βίδες.

► **Εικ.7:** 1. Βίδα 2. Σφιγκτήρας σωλήνα

5. Ανάλογα με το ύψος εργασίας, συνδέστε τους υπόλοιπους σωλήνες προέκτασης στο σωλήνα επέκτασης που έχει ήδη συνδεθεί.

ΠΡΟΣΟΧΗ: Μην συνδέσετε τον σωλήνα προέκτασης αν το συνολικό μήκος, μαζί με το κυρίως τμήμα του φυσητήρα, ξεπερνάει τα 4 μέτρα.

6. Γυρίστε την έξοδο του ακροφυσίου άκρου όπως απεικονίζεται στην εικόνα.

► **Εικ.8**

7. Συνδέστε το ακροφύσιο άκρου στο σωλήνα προέκτασης. Κατά τη σύνδεση, ευθυγραμμίστε την ένδειξη τριγώνου στο ακροφύσιο άκρου και το σωλήνα προέκτασης και, στη συνέχεια, στρώστε το ακροφύσιο άκρου μέχρι να ασφαλίσει. Μετά από αυτό, περιστρέψτε το ακροφύσιο άκρου σε μια κατάλληλη θέση για την εργασία σας.

► **Εικ.9:** 1. Ακροφύσιο άκρου 2. Σωλήνας προέκτασης 3. Ένδειξη τριγώνου

Όταν αφαιρείτε το ακροφύσιο άκρου, ευθυγραμμίστε τις ενδείξεις τριγώνου στο ακροφύσιο άκρου και τον σωλήνα προέκτασης και, στη συνέχεια, τραβήξτε προς τα έξω το ακροφύσιο άκρου από τον σωλήνα προέκτασης.

► **Εικ.10:** 1. Ακροφύσιο άκρου 2. Σωλήνας προέκτασης 3. Ένδειξη τριγώνου

ΠΕΡΙΓΡΑΦΗ ΛΕΙΤΟΥΡΓΙΑΣ

ΠΡΟΣΟΧΗ: Να φροντίζετε πάντα για την απενεργοποίηση του μηχανήματος και την αποσύνδεση της φορητής ηλεκτρικής τροφοδότησης από το μηχάνημα πριν ρυθμίσετε ή ελέγξετε τη λειτουργία στο μηχάνημα.

Σύστημα προστασίας μηχανήματος / μπαταρίας

Το μηχάνημα είναι εξοπλισμένο με ένα σύστημα προστασίας μηχανήματος / μπαταρίας. Αυτό το σύστημα αποκόπτει αυτόματα την ισχύ προς το μοτέρ για να παραταθεί η διάρκεια ζωής του μηχανήματος και της μπαταρίας. Το μηχάνημα σταματάει αυτόματα κατά τη διάρκεια της λειτουργίας αν το μηχάνημα ή η μπαταρία βρεθούν κάτω από τις παρακάτω συνθήκες:

Προστασία υπερφόρτωσης

Αν χρησιμοποιήσετε το μηχάνημα ή την μπαταρία με τρόπο που να τραβά αφύσικα υψηλό ρεύμα, το μηχάνημα θα σταματήσει αυτόματα και η λυχνία κύριας λειτουργίας του μηχανήματος θα αρχίσει να αναβοσβήνει με πράσινο χρώμα. Σε αυτή την κατάσταση, απενεργοποιήστε το μηχάνημα και διακόψτε την εφαρμογή που προκαλεί την υπερφόρτωση του μηχανήματος. Μετά, ενεργοποιήστε το μηχάνημα για επανεκκίνηση.

Προστασία υπερθέρμανσης

Όταν το μηχάνημα ή η μπαταρία υπερθερμαίνεται, το μηχάνημα σταματάει αυτόματα. Όταν το μηχάνημα υπερθερμανθεί, ανάβει η λυχνία κύριας λειτουργίας του μηχανήματος με κόκκινο χρώμα. Όταν η μπαταρία υπερθερμανθεί, αναβοσβήνει η λυχνία κύριας λειτουργίας του μηχανήματος με κόκκινο χρώμα. Αφήστε το μηχάνημα και την μπαταρία να ψυχθούν πριν ενεργοποιήσετε ξανά το μηχάνημα.

Προστασία υπερβολικής αποφόρτισης

Όταν η χωρητικότητα μπαταρίας δεν είναι αρκετή, το μηχάνημα σταματάει αυτόματα και η λυχνία κύριας λειτουργίας του μηχανήματος αναβοσβήνει με κόκκινο χρώμα. Σε αυτή την περίπτωση, βγάλτε την μπαταρία από το μηχάνημα και φορτίστε την μπαταρία ή αλλάξτε την μπαταρία με μια πλήρως φορτισμένη.

Διακόπτης κύριας λειτουργίας

ΠΡΟΕΙΔΟΠΟΙΗΣΗ: Να απενεργοποιείτε πάντα το διακόπτη κύριας λειτουργίας όταν δεν χρησιμοποιείτε το εργαλείο.

Για να ενεργοποιήσετε το μηχάνημα, πατήστε το διακόπτη κύριας λειτουργίας. Η λυχνία κύριας λειτουργίας ανάβει με πράσινο χρώμα. Για απενεργοποίηση, πατήστε ξανά τον διακόπτη κύριας λειτουργίας.

► **Εικ.11:** 1. Λυχνία κύριας λειτουργίας 2. Διακόπτης κύριας λειτουργίας

ΠΑΡΑΤΗΡΗΣΗ: Αυτό το μηχάνημα χρησιμοποιεί τη λειτουργία αυτόματης απενεργοποίησης. Για να αποφευχθεί η αθέλητη εκκίνηση, ο διακόπτης κύριας λειτουργίας απενεργοποιείται αυτόματα αν δεν τραβήξετε τη σκανδάλη διακόπτη για κάποια καθορισμένη περίοδο μετά την ενεργοποίηση του διακόπτη κύριας λειτουργίας.

ΠΑΡΑΤΗΡΗΣΗ: Αν πατήσετε τον διακόπτη κύριας λειτουργίας όταν ο μοχλός ελέγχου δεν έχει επιστρέψει πλήρως στην ανενεργή θέση ή ενώ τραβάτε τη σκανδάλη διακόπτη, η λυχνία κύριας λειτουργίας αναβοσβήνει με πράσινο χρώμα. Σε αυτή την περίπτωση, επιστρέψτε πλήρως τον μοχλό ελέγχου ή αφήστε τη σκανδάλη διακόπτη και μετά πατήστε τον διακόπτη κύριας λειτουργίας.

Δράση διακόπτη

▲ ΠΡΟΕΙΔΟΠΟΙΗΣΗ: Προτού συνδέσετε τη φορητή ηλεκτρική τροφοδότηση στο μηχάνημα, να ελέγχετε πάντα ότι η σκανδάλη διακόπτη λειτουργεί κανονικά και επιστρέφει στην ανενεργή θέση «OFF» όταν απελευθερώνεται.

Για να ξεκινήσετε το μηχάνημα, τραβήξτε απλώς τη σκανδάλη διακόπτη. Η ταχύτητα αυξάνεται όσο αυξάνετε την πίεση στη σκανδάλη διακόπτη. Αφήστε τη σκανδάλη διακόπτη για να σταματήσει.

► **Εικ.12:** 1. Σκανδάλη διακόπτη

Μπορείτε να χρησιμοποιείτε το μηχάνημα στην κατάσταση ενίσχυσης. Στην κατάσταση ενίσχυσης, ο όγκος αέρα γίνεται μεγαλύτερος από ότι στην κανονική κατάσταση. Για να χρησιμοποιήσετε το μηχάνημα σε κατάσταση ενίσχυσης, τραβήξτε τη σκανδάλη διακόπτη μέχρι η σκανδάλη διακόπτη να σταματήσει στα μισά της διαδρομής της και μετά τραβήξτε τη σκανδάλη διακόπτη μέχρι τέρμα.

► **Εικ.13:** 1. Σκανδάλη διακόπτη

ΠΑΡΑΤΗΡΗΣΗ: Ανάλογα με τις συνθήκες χρήσης, η χρήση της κατάστασης ενίσχυσης περιορίζεται για να προστατευτεί το μηχάνημα. Αν η λυχνία κύριας λειτουργίας του μηχανήματος αναβοσβήνει με πράσινο χρώμα όταν τραβήξετε τη σκανδάλη διακόπτη μέχρι τέρμα ή ενώ χρησιμοποιείτε το μηχάνημα σε κατάσταση ενίσχυσης, η κατάσταση ενίσχυσης δεν είναι διαθέσιμη.

ΠΑΡΑΤΗΡΗΣΗ: Η κατάσταση ενίσχυσης δεν είναι διαθέσιμη αν περιστρέψετε τον μοχλό ελέγχου.

Λειτουργία ελέγχου πλοήγησης

Η λειτουργία ελέγχου πλοήγησης επιτρέπει στο χειριστή να διατηρεί σταθερή ταχύτητα χωρίς να τραβεί τη σκανδάλη. Για να αυξήσετε την ταχύτητα, περιστρέψτε το μοχλό ελέγχου προς τα μπροστά. Για να μειώσετε την ταχύτητα, περιστρέψτε το μοχλό ελέγχου προς τα πίσω.

► **Εικ.14:** 1. Μοχλός ελέγχου

Λειτουργία αποφυγής τυχαίας επανεκκίνησης

Ακόμη κι αν συνδέσετε τη φορητή ηλεκτρική τροφοδότηση στο μηχάνημα ενώ τραβάτε τη σκανδάλη διακόπτη, το μηχάνημα δεν ενεργοποιείται. Για να ξεκινήσετε τη λειτουργία του μηχανήματος, αφήστε πρώτα τη σκανδάλη διακόπτη και επιστρέψτε πλήρως το μοχλό ελέγχου και, στη συνέχεια, τραβήξτε τη σκανδάλη διακόπτη.

ΛΕΙΤΟΥΡΓΙΑ

Σύνδεση της φορητής ηλεκτρικής τροφοδότησης

▲ ΠΡΟΣΟΧΗ: Όταν χρησιμοποιείτε το μηχάνημα σε συνδυασμό με το τροφοδοτικό τύπου σακιδίου, όπως τη φορητή ηλεκτρική τροφοδότηση, χρησιμοποιήστε τον κρεμάμενο ιμάντα που συμπεριλαμβάνεται στη συσκευασία του μηχανήματος ή τον κρεμάμενο ιμάντα που συνοδιά η Makita.

Αν φορέσετε ταυτόχρονα τον ιμάντα ώμου που δεν συνιστάται από τη Makita και τον ιμάντα ώμου του τροφοδοτικού τύπου σακιδίου, η αφαίρεση του μηχανήματος ή του τροφοδοτικού τύπου σακιδίου είναι δύσκολη στην περίπτωση έκτακτης ανάγκης και μπορεί να προκληθεί ατύχημα ή τραυματισμός. Για τον συνιστώμενο κρεμάμενο ιμάντα, ρωτήστε στα εξουσιοδοτημένα κέντρα σέρβις της Makita.

▲ ΠΡΟΣΟΧΗ: Πριν τη λειτουργία, φροντίστε οι πόρτες στη ζώνη μέσης να είναι ασφαλισμένες και το μηχάνημα να έχει προσαρτηθεί με ασφάλεια στον γάντζο του κρεμάμενου ιμάντα.

▲ ΠΡΟΣΟΧΗ: Για να αποφεύγετε την αθέλητη εκκίνηση, βεβαιωθείτε ότι το μηχάνημα και η φορητή ηλεκτρική τροφοδότηση είναι απενεργοποιημένα πριν ξεκινήσετε αυτή τη διαδικασία.

▲ ΠΡΟΣΟΧΗ: Πριν εκτελέσετε αυτή τη διαδικασία, τελειώστε τις ρυθμίσεις για τη ζώνη μέσης και τον ιμάντα ώμου. Για λεπτομέρειες, ανατρέξτε στο εγχειρίδιο οδηγίων της φορητής ηλεκτρικής τροφοδότησης.

Για PDC1200

▲ ΠΡΟΣΟΧΗ: Όταν αφαιρείτε την μπαταρία, πατήστε το κουμπί ασφάλισης ενώ κρατάτε καλά τη χειρολαβή. Για να αφαιρέσετε την μπαταρία, ρυθμίστε τη ζώνη μέσης στη χαμηλότερη θέση.

► **Εικ.15:** 1. Χειρολαβή 2. Κουμπί ασφάλισης

▲ ΠΡΟΣΟΧΗ: Προσέχετε να μην πιάσετε τα δάχτυλα ή τους αντίχειρές σας μεταξύ της μπαταρίας και της πλάκας βάσης όταν συνδέετε την μπαταρία.

▲ ΠΡΟΣΟΧΗ: Βεβαιωθείτε ότι η μπαταρία έχει στερεωθεί καλά στην πλάκα βάσης. Διαφορετικά, η μπαταρία μπορεί να πέσει όταν φορέσετε τη μονάδα ή χρησιμοποιήσετε τη μονάδα, και να προκληθεί τραυματισμός. Αν μπορείτε να δείτε τον κόκκινο δείκτη όπως απεικονίζεται στην εικόνα, η μπαταρία δεν έχει κλειδώσει τελείως.

► **Εικ.16:** 1. Κόκκινος δείκτης

Για PDC01

ΠΑΡΑΤΗΡΗΣΗ: Πριν εκτελέσετε αυτή τη διαδικασία, τοποθετήστε την(ις) κασέτα(ες) μπαταριών στη φορητή ηλεκτρική τροφοδότηση. Για λεπτομέρειες, ανατρέξτε στο εγχειρίδιο οδηγίων της φορητής ηλεκτρικής τροφοδότησης.

1. Τραβήξτε έξω το καλώδιο είτε από την αριστερή είτε από τη δεξιά πλευρά της μπαταρίας.

Για PDC1200

Αφαιρέστε την μπαταρία από την πλάκα βάσης, μετά τραβήξτε έξω το καλώδιο είτε από την αριστερή είτε από τη δεξιά πλευρά της μπαταρίας και τέλος συνδέστε την μπαταρία στην πλάκα βάσης. Όταν τραβάτε το καλώδιο προς τα έξω, φροντίστε να τοποθετείτε το καλώδιο στους υποδοχείς όπως απεικονίζεται στην εικόνα.

► **Εικ.17:** 1. Καλώδιο 2. Υποδοχέας

Για PDC01

Όταν τραβάτε το καλώδιο προς τα έξω, φροντίστε να τοποθετείτε το καλώδιο στους υποδοχείς όπως απεικονίζεται στην εικόνα.

► **Εικ.18:** 1. Καλώδιο 2. Υποδοχέας

2. Συνδέστε το καλώδιο στους υποδοχείς καλωδίων.

► **Εικ.19:** 1. Υποδοχέας καλωδίου

3. Συνδέστε τους γάντζους του κρεμάμενου ιμάντα στους δακτυλίους του ιμάντα ώμου και της ζώνης μέσης.

► **Εικ.20:** 1. Δακτύλιος 2. Γάντζος

4. Πατήστε το κουμπί λειτουργίας στη φορητή ηλεκτρική τροφοδότηση. Η λυχνία κύριας λειτουργίας θα ανάψει.

Για PDC1200

► **Εικ.21:** 1. Κουμπί λειτουργίας 2. Λυχνία κύριας λειτουργίας

Για PDC01

► **Εικ.22:** 1. Κουμπί λειτουργίας 2. Λυχνία κύριας λειτουργίας

5. Φορέστε τον ιμάντα ώμου της φορητής ηλεκτρικής τροφοδότησης και ασφαλίστε την πόρπη στη ζώνη μέσης.

► **Εικ.23**

6. Προσαρτήστε τον ιμάντα ώμου στο μηχανήμα χρησιμοποιώντας τον γάντζο στον κρεμάμενο ιμάντα. Φροντίστε να γαντζώσετε στον αναρτήρα του μηχανήματος.

► **Εικ.24:** 1. Γάντζος 2. Αναρτήρας

Ρυθμίστε το μήκος του ιμάντα ανάρτησης όπως απαιτείται.

► **Εικ.25**

7. Εισαγάγετε το φως του μηχανήματος στην υποδοχή της φορητής ηλεκτρικής τροφοδότησης.

Κατά την εισαγωγή, ευθυγραμμίστε την ένδειξη τριγώνου στο φως και την υποδοχή.

► **Εικ.26:** 1. Φως 2. Υποδοχή 3. Ένδειξη τριγώνου

8. Πατήστε τον διακόπτη κύριας λειτουργίας για να ενεργοποιήσετε το μηχανήμα.

Το μηχανήμα είναι έτοιμο για λειτουργία. Το μηχανήμα θα τεθεί σε λειτουργία όταν τραβήξετε τη σκανδάλη διακόπτη.

► **Εικ.27:** 1. Διακόπτης κύριας λειτουργίας

ΠΑΡΑΤΗΡΗΣΗ: Μπορείτε επίσης να χρησιμοποιήσετε τον κρεμάμενο ιμάντα όπως απεικονίζεται στην εικόνα.

► **Εικ.28**

Ρυθμίστε το μήκος του ιμάντα ανάρτησης όπως απαιτείται.

► **Εικ.29**

Λειτουργία φυσητήρα

▲ΠΡΟΣΟΧΗ: Μην τοποθετείτε το μηχανήμα στο έδαφος ενώ είναι ενεργοποιημένο. Η άμμος ή η σκόνη μπορεί να εισέλθει από την είσοδο αναρρόφησης και να προκαλέσει δυσλειτουργία ή προσωπικό τραυματισμό.

Κρατήστε σταθερά το μηχανήμα με το ένα χέρι και πραγματοποιήστε την εργασία φυσηματος μετακινώντας το φυσητήρα αργά. Όταν φυσάτε γύρω από ένα κτίριο, μια μεγάλη πέτρα ή όχημα, να κατευθύνετε το ακροφύσιο μακριά από αυτά. Όταν πραγματοποιείτε μια εργασία σε γωνία, ξεκινήστε από τη γωνία και μετά μετακινηθείτε προς μια πλατύτερη περιοχή.

► **Εικ.30**

Όταν αφήνετε το μηχανήμα κάτω, απασφαλίστε την πόρπη στον κρεμάμενο ιμάντα με το ένα χέρι ενώ κρατάτε το μηχανήμα με το άλλο χέρι.

► **Εικ.31:** 1. Πόρπη

► **Εικ.32:** 1. Πόρπη

Όταν αφήνετε κάτω το μηχανήμα και τη φορητή ηλεκτρική τροφοδότηση ταυτόχρονα, απασφαλίστε την πόρπη στη ζώνη μέσης και μετά αφήστε κάτω το μηχανήμα και τη φορητή ηλεκτρική τροφοδότηση.

► **Εικ.33:** 1. Πόρπη

ΠΑΡΑΤΗΡΗΣΗ: Όταν απασφαλίσετε την πόρπη, πιέστε τα κλιπ της πόρπης και στις δύο πλευρές. Όταν ασφαλίσετε την πόρπη, εισαγάγετε τα κλιπ μέχρι να ασφαλιστούν.

► **Εικ.34:** 1. Κλιπ

Χρήση του σετ ακροφυσίου για λούκια

▲ΠΡΟΣΟΧΗ: Όταν χρησιμοποιείτε το σετ ακροφυσίων για λούκια, μην χρησιμοποιείτε το μηχανήμα στον τρόπο λειτουργίας ενίσχυσης. Μπορεί να χάσετε την ισορροπία σας και μπορεί να προκληθεί ατύχημα επειδή ο όγκος αέρα γίνεται μεγαλύτερος στον τρόπο λειτουργίας ενίσχυσης.

▲ΠΡΟΣΟΧΗ: Όταν χρησιμοποιείτε το σετ ακροφυσίων για λούκια, μην κρατάτε τον φυσητήρα με ένα χέρι, αλλά με τα δύο χέρια.

► **Εικ.35**

▲ΠΡΟΣΟΧΗ: Μην χρησιμοποιείτε το σετ ακροφυσίων για λούκια κοντά σε ηλεκτρικά καλώδια.

► **Εικ.36**

▲ΠΡΟΣΟΧΗ: Μην χρησιμοποιήσετε το σετ ακροφυσίων για λούκια όταν φυσάει δυνατός αέρας.

► **Εικ.37**

▲ΠΡΟΣΟΧΗ: Όταν χρησιμοποιείτε το σετ ακροφυσίων για λούκια, κρατήστε τα άλλα άτομα ή τα ζώα σε απόσταση μεγαλύτερη από 15 μέτρα από τον φυσητήρα.

► **Εικ.38**

Να κρατάτε τον φυσητήρα όρθια από τη λαβή του φυσητήρα. Τοποθετήστε την έξοδο του φυσητήρα στο λούκι και, στη συνέχεια, ενεργοποιήστε τον φυσητήρα.

► **Εικ.39**

ΣΥΝΤΗΡΗΣΗ

▲ ΠΡΟΣΟΧΗ: Να φροντίζετε πάντα για την απενεργοποίηση του μηχανήματος και την αποσύνδεση της φορητής ηλεκτρικής τροφοδότησης από το μηχάνημα πριν επιχειρήσετε να εκτελέσετε κάποια εργασία επιθεώρησης ή συντήρησης.

Για τη διατήρηση της ΑΣΦΑΛΕΙΑΣ και ΑΞΙΟΠΙΣΤΙΑΣ του προϊόντος, οι επισκευές και οποιαδήποτε άλλη εργασία συντήρησης ή ρύθμισης πρέπει να εκτελούνται από εξουσιοδοτημένα ή εργοστασιακά κέντρα εξυπηρέτησης της Makita, χρησιμοποιώντας πάντοτε ανταλλακτικά της Makita.

Καθαρισμός του μηχανήματος

Καθαρίστε το μηχάνημα σκουπίζοντας τη σκόνη με ένα στεγνό πανί ή ένα πανί διαποτισμένο με σαπουνόνερο από φυλάκιον το έχετε στύψει.

► **Εικ.40**

ΕΙΔΟΠΟΙΗΣΗ: Μην χρησιμοποιείτε ποτέ βενζίνη, πετρελαϊκό αιθέρα, διαλυτικό, αλκοόλη ή παρόμοιες ουσίες. Μπορεί να προκληθεί αποχρωματισμός, παραμόρφωση ή ρωγμές.

Αφαιρέστε τη σκόνη ή τη βρομιά από την είσοδο αναρρόφησης στο πίσω μέρος του μηχανήματος.

► **Εικ.41:** 1. Είσοδος αναρρόφησης

Αποθήκευση

Πριν αποθηκεύσετε το μηχάνημα, αποσυνδέστε τη φορητή ηλεκτρική τροφοδότηση από το μηχάνημα και εκτελέστε πλήρη συντήρηση. Αποθηκεύστε το μηχάνημα σε ένα μέρος μακριά από παιδιά, όπου δεν εκτίθεται στην υγρασία, στη βροχή ή στην άμεση ηλιοβολή.

Η οπή γάντζου στο κάτω μέρος του μηχανήματος χρησιμεύει για το κρέμασμα του μηχανήματος από καρφή ή βίδα στον τοίχο.

► **Εικ.42:** 1. Οπή

ΑΝΤΙΜΕΤΩΠΙΣΗ ΠΡΟΒΛΗΜΑΤΩΝ

Πριν ζητήσετε επισκευές, εκτελέστε αρχικά τη δική σας επιθεώρηση. Αν εντοπίσετε πρόβλημα που δεν επεξηγείται στο εγχειρίδιο, μην επιχειρήσετε να αποσυναρμολογήσετε το μηχάνημα. Αντ' αυτού, απευθυνθείτε σε εξουσιοδοτημένα κέντρα σέρβις της Makita και χρησιμοποιείτε πάντα ανταλλακτικά της Makita για τις επισκευές.

Κατάσταση προβλήματος	Πιθανή αιτία (δυσλειτουργία)	Αποκατάσταση
Το μοτέρ δεν λειτουργεί.	Η μπαταρία δεν είναι τοποθετημένη.	Τοποθετήστε την μπαταρία.
	Πρόβλημα μπαταριών (μικρή τάση)	Επαναφορτίστε την μπαταρία. Αν η επαναφόρτιση δεν είναι αποτελεσματική, αντικαταστήστε την μπαταρία.
	Το σύστημα μετάδοσης κίνησης δεν λειτουργεί σωστά.	Απευθυνθείτε στο τοπικό εξουσιοδοτημένο κέντρο σέρβις για επισκευή.
Το μοτέρ σταματά να λειτουργεί μετά από μικρή χρήση.	Το επίπεδο φόρτισης μπαταρίας είναι χαμηλό.	Επαναφορτίστε την μπαταρία. Αν η επαναφόρτιση δεν είναι αποτελεσματική, αντικαταστήστε την μπαταρία.
	Υπερθέρμανση.	Σταματήστε να χρησιμοποιείτε το μηχάνημα για να το αφήσετε να κρυώσει.
Το μηχάνημα δεν φτάνει τη μέγιστη ταχύτητα.	Η μπαταρία δεν είναι σωστά τοποθετημένη.	Τοποθετήστε την μπαταρία όπως περιγράφεται στο παρόν εγχειρίδιο.
	Η ισχύς της μπαταρίας πέφτει.	Επαναφορτίστε την μπαταρία. Αν η επαναφόρτιση δεν είναι αποτελεσματική, αντικαταστήστε την μπαταρία.
	Το σύστημα μετάδοσης κίνησης δεν λειτουργεί σωστά.	Απευθυνθείτε στο τοπικό εξουσιοδοτημένο κέντρο σέρβις για επισκευή.
Ασυνήθιστοι κραδασμοί: ⇒ Σταματήστε αμέσως το μηχάνημα!	Το σύστημα μετάδοσης κίνησης δεν λειτουργεί σωστά.	Απευθυνθείτε στο τοπικό εξουσιοδοτημένο κέντρο σέρβις για επισκευή.
Το μοτέρ δεν μπορεί να σταματήσει: ⇒ Βγάλτε αμέσως την μπαταρία!	Ηλεκτρική ή ηλεκτρονική δυσλειτουργία.	Βγάλτε την μπαταρία και απευθυνθείτε στο τοπικό εξουσιοδοτημένο κέντρο σέρβις για επισκευή.

ΠΡΟΑΙΡΕΤΙΚΑ ΕΞΑΡΤΗΜΑΤΑ

⚠ ΠΡΟΣΟΧΗ: Αυτά τα εξαρτήματα ή προσαρτήματα συνιστώνται για χρήση με το προϊόν Makita σας που περιγράφεται στο εγχειρίδιο αυτό. Η χρήση άλλων εξαρτημάτων ή προσαρτημάτων μπορεί να παρουσιάξει κίνδυνο για τραυματισμό ατόμων. Να χρησιμοποιείτε τα εξαρτήματα ή προσαρτήματα μόνο για τη χρήση που προορίζονται.

Εάν χρειάζεστε οποιαδήποτε βοήθεια για περισσότερες πληροφορίες σε σχέση με αυτά τα εξαρτήματα, απευθυνθείτε στο τοπικό σας κέντρο εξυπηρέτησης Makita.

- Σωλήνας προσαρμογέα
- Ακροφύσιο προέκτασης
- Επίπεδο ακροφύσιο
- Σετ ακροφυσίων για λούκια
- Διάταξη ιμάντα
- Γνήσια μπαταρία και φορτιστής της Makita

ΠΑΡΑΤΗΡΗΣΗ: Μερικά στοιχεία στη λίστα μπορεί να συμπεριλαμβάνονται στη συσκευασία προϊόντος ως στάνταρ εξαρτήματα. Μπορεί να διαφέρουν ανάλογα με τη χώρα.

TEKNİK ÖZELLİKLER

Model:		UB001C
Kapasiteler	Hava hacmi	0 - 17,6 m ³ /dak
	Hava hızı (ortalama)	0 - 58,0 m/s
	Hava hızı (maks.)	0 - 70,0 m/s
Toplam uzunluk (uç nozul ile)		960 mm / 1.010 mm / 1.060 mm
Anma voltajı		D.C. 36 V - 40 V maks.
Net ağırlık		2,6 - 2,9 kg
Koruma sınıfı		IPX4

- Sürekli yapılan araştırma ve geliştirmelerden dolayı, burada belirtilen özellikler önceden bildirilmeksizin değiştirilebilir.
- Özellikler ülkeden ülkeye değişebilir.
- EPTA-Prosedürü 01/2014 uyarınca ağırlık

Geçerli taşınabilir güç ünitesi

PDC1200 / PDC01

⚠UYARI: Sadece yukarıda listelenen taşınabilir güç ünitelerini kullanın. Başka taşınabilir güç ünitelerinin kullanılması yaralanma ve/veya yangına neden olabilir.

Semboller

Ekipmanı için kullanılacak semboller aşağıda gösterilmiştir. Kullanmadan önce anlamlarını anladığınızdan emin olun.

	Çok özenli ve dikkatli kullanın.
	El kitabını okuyun.
	Ellerinizi dönen parçalardan uzak tutun.
	Uzun saç dolaşma kazasına neden olabilir.
	Etrafınızdaki kişileri aletten uzak tutun.
	Koruyucu gözlük ve kulaklık takın.
	Neme maruz bırakmayın.

Ni-MH Li-Ion

Sadece AB ülkeleri için Elektrik donanımını ve batarya kutusunu evsel atıklarla birlikte bertaraf etmeyiniz! Atık Elektrikli ve Elektronik Donanımlar, Piller ve Akümülatörler ve Atık Piller ve Akümülatörler konusundaki Avrupa Direktifleri ve bunların ulusal yasalara uygulanmaları uyarınca, kullanım ömürleri biten elektrikli donanımların, pillerin ve pil takım(lar)ının ayrı toplanmaları ve çevreye uyumlu bir geri dönüşüm tesisine getirilmeleri gereklidir.

Kullanım amacı

Bu makine tozu üfleme için tasarlanmıştır.

Gürültü

Tipik A-ağırlıklı gürültü düzeyi (EN50636-2-100 standardına göre belirlenen):

Ses basınç seviyesi (L_{PA}): 83,4 dB (A)

Belirsizlik (K): 2,2 dB (A)

Ses gücü düzeyi (L_{WA}): 91,4 dB (A)

Belirsizlik (K): 2,5 dB (A)

NOT: Beyan edilen gürültü emisyonu değer(ler)i bir standart test yöntemine uygun şekilde ölçülmüştür ve bir aleti bir başkısıyla karşılaştırmak için kullanılabilir.

NOT: Beyan edilen gürültü emisyonu değer(ler)i bir ön maruz kalma değerlendirmesi olarak da kullanılabilir.

⚠UYARI: Kulak koruyucuları takın.

⚠UYARI: Elektrikli aletin gerçek kullanımı sırasındaki gürültü emisyonu, aletin kullanım biçimlerine, özellikle işlenen iş parçasının türüne bağlı olarak beyan edilen değer(ler)den farklı olabilir.

⚠UYARI: Gerçek kullanım koşullarındaki tahmini maruziyeti baz alan, operatörü koruyacak güvenlik önlemlerini mutlaka belirleyin (çalışma döngüsü içerisinde aletin kapalı olduğu ve aktif durumda olmasının yanı sıra boşta çalıştığı zamanlar gibi, bütün zaman dilimleri göz önünde bulundurarak).

Titreşim

Titreşim toplam değeri (üç eksenli vektör toplamı) (EN50636-2-100 standardına göre hesaplanan):

Çalışma modu: yüksüz çalışma

Titreşim emisyonu (a_h): 2,5 m/s² den az

Belirsizlik (K) : 1,5 m/s²

NOT: Beyan edilen titreşim toplam değeri bir standart test yöntemine uygun şekilde ölçülmüştür ve bir aleti bir başkasıyla karşılaştırmak için kullanılabilir.

NOT: Beyan edilen titreşim toplam değeri bir ön maruz kalma değerlendirilmesi olarak da kullanılabilir.

UYARI: Elektrikli aletin gerçek kullanımı sırasındaki titreşim emisyonu, aletin kullanım biçimlerine, özellikle işlenen iş parçasının türüne bağlı olarak beyan edilen değeri(ler)den farklı olabilir.

UYARI: Gerçek kullanım koşullarındaki tahmini maruziyeti baz alan, operatörü koruyacak güvenlik önlemlerini mutlaka belirleyin (çalışma döngüsü içerisinde aletin kapalı olduğu ve aktif durumda olmasının yanı sıra boşta çalıştığı zamanlar gibi, bütün zaman dilimleri göz önünde bulundurarak).

EC Uygunluk Beyanı

Sadece Avrupa ülkeleri için

EC uygunluk beyanı bu kullanım kılavuzuna Ek A olarak eklenmiştir.

GÜVENLİK UYARILARI

Batarya Beslemeli Üfleyci Güvenlik Talimatları

UYARI: Tüm güvenlik uyarılarını ve tüm talimatları okuyun. Uyarılara ve talimatlara uyulmaması elektrik şoku, yangın ve/veya ciddi yaralanmalar ile sonuçlanabilir.

Tüm uyarıları ve talimatları iletide başvurmak için saklayın.

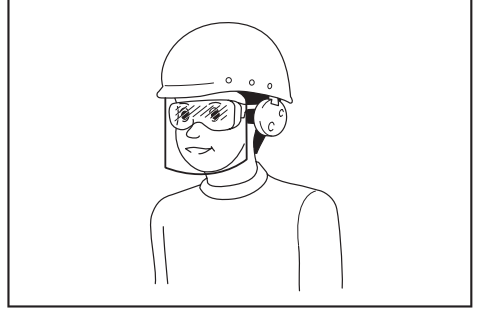
Eğitim

1. Talimatları dikkatlice okuyun. Üfleycinin kontrollerine ve doğru kullanımına aşinalık kazanın.
2. Fiziksel, duyuşsal ya da zihinsel yetenekleri kısıtlı olan veya deneyim ve bilgileri olmayan ya da bu talimatlara aşına olmayan kişilerden ve çocukların üfleyciyi kullanmasına asla izin vermeyin. Yerel düzenlemeler kullanıcı yaşına sınırlandırma getirebilir.
3. Üfleyciyi asla çevresinde insanlar, özellikle de çocuklar veya evcil hayvanlar varken kullanmayın.
4. Diğer insanlara ya da mallarına gelecek zararlardan ve kazalardan kullanıcının sorumlu olduğunu unutmayın.

Hazırlık

1. Üfleyciyi kullanırken daima sağlam ayakkabılar ve uzun pantolonlar giyin.
2. Hava girişine çekilebilecek takılar takmayın ve bol elbiseler giymeyin. Uzun saçlarınızı hava girişlerinden uzak tutun.

3. Elektrikli aletleri kullanırken gözlerinizi korumak için daima koruyucu gözlük kullanın. Gözlüklerin ABD’de ANSI Z87.1 ile, Avrupa’da EN 166 ile ya da Avustralya/Yeni Zelanda’da AS/NZS 1336 ile uyumlu olması gereklidir. Avustralya/Yeni Zelanda’da, yüzünüzü korumanız için yüz koruyucu maske kullanılması da yasal olarak gereklidir.



Alet operatörlerinin ve çalışma alanının yakınında çalışan diğer kişilerin uygun koruyucu güvenlik ekipmanlarını kullanmasının sağlanması, işverenin yükümlülüğündedir.

4. Tozdan rahatsız olmamak için toz maskesi takılması tavsiye edilir.
5. Makineyi kullanırken daima kaymaz ve koruyucu ayakkabı giyin. Kaymaz, kapalı topuklu güvenlik botları ve ayakkabıları yaralanma riskini azaltır.
6. Kişisel koruyucu ekipman kullanın. Daima göz koruması kullanın. Uygun koşullarda toz maskeleri, altı kaymayan emniyetli ayakkabılar, sert başlıklar ya da kulak korumaları gibi koruyucu donanımları kullanın, yaralanmaları önler.
7. Makineyi kullanmadan önce kabloyu kontrol edin. Kablo hasar görmüşse Makita Yetkili Servis Merkezlerine tamir ettirin.

Çalıştırma

1. Şunları yapmadan önce üfleyciyi kapatın, bataryayı çıkarın ve hareket eden tüm parçaları tamamen durduğundan emin olun:
 - üfleyciyi kullanmayı bıraktığınızda.
 - tıkanıklıkları temizlemeden önce.
 - üfleyciyi kontrol etmeden, temizlemeden veya üzerinde çalışmadan önce.
 - üfleyci anormal bir şekilde titremeye başlarsa.
2. Üfleyciyi sadece gün ışığında ya da iyi aydınlatma sağlayan yapay ışıkta kullanın.
3. Fazla ileriye uzanmaya çalışmayın ve her zaman doğru bir dengeyi koruyun ve yere sağlam basın.
4. Eğilimli yerlerde adımlarınıza daima dikkat edin.
5. Yürüyerek kullanın, asla koşmayın.
6. Tüm soğutma hava girişlerini döküntülerden temiz tutun.
7. Döküntüleri hiçbir zaman etraftakilere doğru üfleme.
8. Üfleyciyi sağlam bir yüzeyde önerilen konumda çalıştırın.
9. Üfleyciyi yüksek yerlerde çalıştırmayın.
10. Üfleyciyi kullanırken nozulu yakınınızdaki kişilere doğrultmayın.

11. Emme girişini ve/veya üfleyici çıkışını asla tıkamayın.
 - Tozlu alanda çalışırken emme girişinin veya üfleyici çıkışının toz veya pislikle tıkanmamasına dikkat edin.
 - Makita tarafından sağlanan nozullar dışında başka nozul kullanmayın.
 - Üfleyiciyi top, şişme bot veya benzeri şeyleri şişirmek için kullanmayın.
12. Üfleyiciyi açık pencere vb. yanında çalıştırmayın.
13. Üfleyicinin sadece makul saatlerde çalıştırılması tavsiye edilir - sabahın erken saatleri ya da gece geç vakitler gibi insanların rahatsız olabileceği saatlerde çalıştırmayın.
14. Üfleme işlemine başlamadan önce tırmık ve süpürge kullanarak döküntülerin gevşetilmesi tavsiye edilir.
15. Üfleyici herhangi yabancı bir cisme rastlarsa veya almışmış gürültüler çıkarmaya veya titremeye başlarsa, üfleyiciyi durdurmak için hemen kapatın. Yeniden başlatmadan ve çalıştırmadan önce, daima bataryayı üfleyiciden çıkarın ve üfleyiciyi hasara karşı kontrol edin. Üfleyici hasar görmüşse Makita yetkili servis merkezlerine tamir ettirin.
16. Emme girişine veya üfleyici çıkışına parmak ya da başka bir nesne sokmayın.
17. İstem dışı çalışmayı önleyin. Bataryayı takmadan, üfleyiciyi elinize almadan veya taşımadan önce anahtarın kapalı konumda olduğundan emin olun. Üfleyiciyi parmağınız anahtarın üzerindeyken taşımak ya da anahtar açık konumundayken üfleyiciye güç vermek kazalara davetiye çıkarır.
18. Çivi, cam parçaları veya bıçaklar gibi tehlikeli maddeleri asla üflemeysin.
19. Üfleyiciyi alev alabilecek malzemelerin yakınında kullanmayın.
20. Üfleyiciyi düşük sıcaklıklı ortamda uzun süre çalıştırmaktan kaçının.
21. Yıldırım riski varken makineyi kullanmayın.
22. Makineyi çamurlu zeminde, ıslak yamaçlarda veya kaygan yerlerde kullanırken dengeye dikkat edin.
23. Artan kullanıcı yorgunluğunun beklendiği kötü ortamlarda çalışmaktan kaçının.
24. Makineyi, görüşün sınırlı olduğu kötü havalarda kullanmayın. Aksi takdirde düşük görüş nedeniyle düşmeye veya hatalı çalışmaya neden olabilir.
25. Makineyi su birikintisine sokmayın.
26. Yağmurdan dolayı emme ağzına (havalandırma penceresi) ıslak yapraklar veya pislik yapışırsa bunları temizleyin.

Bakım ve saklama

1. Üfleyiciyi güvenli bir şekilde çalışır durumda tutmak için tüm somunların, civataların ve vidaların sağlam şekilde sıkıldığından emin olun.
2. Parçaları aşınır veya hasar görürse bunları Makita tarafından sağlanan parçalarla değiştirin.
3. Üfleyiciyi çocukların erişiminden uzak kuru bir yerde saklayın.

4. Üfleyiciyi kontrol, bakım, depolama veya aksesuar değiştirme maksadıyla durdurduğunuzda üfleyiciyi kapatın ve hareketli tüm parçaların tamamen durduğundan emin olun ve bataryayı çıkarın. Üfleyici üzerinde herhangi bir işlem yapmadan önce üfleyiciyi söğütün. Üfleyiciye özenle bakın ve temiz tutun.
5. Saklamadan önce her zaman üfleyicinin soğumasını bekleyin.
6. Üfleyiciyi yağmura maruz bırakmayın. Üfleyiciyi kapalı yerlerde saklayın.
7. Üfleyiciyi kaldırımların mutlaka dizlerinizin kırın ve sırtınızı incitmemeye dikkat edin.
8. Makineyi dışarıda yağmur altında gözetimsiz bırakmayın.
9. Makineyi yüksek basınçlı su ile yıkamayın.
10. Makineyi depolarken doğrudan güneş ışığı ve yağmurdan sakının, ısınmayacak veya nemlenmeyecek bir yerde depolayın.
11. Kontrol veya bakımı, yağmurdan sakınılabilecek bir yerde yapın.
12. Makineyi kullandıktan sonra yapışan pislikleri temizleyin ve depolamadan önce makineyi tamamen kurutun. Mevsim veya bölgeye bağlı olarak donma kaynaklı arıza riski vardır.
13. Makineyi sadece kablodan tutarak kaldırmayın veya taşımayın.

Bataryalı aletin kullanımı ve bakımı

1. Sadece üretici tarafından belirtilen şarj aleti ile şarj edin. Bir batarya kutusu için uygun olan şarj cihazı başka bir batarya kutusu ile kullanıldığında yangın riski oluşturabilir.
2. Elektrikli aletleri sadece özel olarak belirtilen batarya kutuları ile kullanın. Başka batarya kutularının kullanımı yaralanma ve yangın riski oluşturabilir.
3. Batarya kutusu kullanılmadığında; iki terminal arasında bağlantı kurulmasına sebep olabilecek ataç, bozuk para, anahtar, çivi, vida gibi metal nesnelere ya da küçük metal objelerden uzak tutun. Batarya terminallerine kısa devre yaptırmak yanıklara ya da yangına yol açabilir.
4. Kötü koşullarda bataryadan sıvı sızabilir; bu sıvıya temas etmeyin. Eğer istemeden bir temas olursa suyla yıkayın. Sıvı göze temas ederse, suyla yıkadıktan sonra tıbbi yardım alın. Bataryadan çıkan sıvı tahrişe ya da yanıklara neden olabilir.
5. Batarya kutusu ya da alet hasar görmüşse ya da üzerinde değişiklik yapılmışsa batarya kutusunu kullanmayın. Hasar görmüş ya da üzerinde değişiklik yapılmış batarya kutuları yangın, patlama ya da yaralanma riski ile sonuçlanan beklenmedik davranışlar sergileyebilir.
6. Batarya kutusunu veya aleti ateşe ya da aşırı sıcaklıklara maruz bırakmayın. Ateşe ya da 130 °C'nin üzerindeki sıcaklıklara maruz bırakmak patlamaya neden olabilir.
7. Tüm şarj talimatlarına uyun ve batarya kutusunu ya da aleti yönergelerde belirtilen sıcaklık aralığının dışındaki sıcaklıklarda şarj etmeyin. Uygun olmayan bir şekilde ya da belirtilen sıcaklık aralığının dışında şarj etmek bataryaya zarar verebilir ve yangın riskini artırabilir.

Elektrik ve batarya güvenliği

1. **Bataryayı/bataryaları ateşe atmayın.** Batarya hücresi patlayabilir. Bertaraf etmeye ilişkin özel talimatlar için yerel yönetmelikleri kontrol edin.
2. **Batarya/bataryaları açmayın ya da batarya(lar) üzerinde değişiklik yapmayın.** Ortaya çıkan elektrolit aşındırıcıdır ve gözlere ya da cilde zarar verebilir. Yutulduğu takdirde zehirli olabilir.
3. **Bataryayı yağmurda veya ıslak yerlerde şarj etmeyin.**
4. **Bataryayı açık alanda şarj etmeyin.**
5. **Şarj aleti fişi ve şarj aleti terminaleri dahil şarj aletine ıslak ellerle dokunmayın.**
6. **Bataryayı yağmurda değiştirmeyin.**
7. **Batarya bağlantı uçlarını su gibi sıvılarla ıslatmayın ya da bataryayı sıvılara sokmayın.** Bataryayı yağmurda bırakmayın veya bataryayı nemli ya da ıslak yerlerde şarj etmeyin, kullanmayın veya depolamayın. Bağlantı uçları ıslanır veya bataryanın içine sıvı girerse bataryaya kısa devre olabilir ve aşırı ısınma, yangın veya patlama riski ortaya çıkar.
8. **Bataryayı makine veya şarj aletinden çıkardıktan sonra mutlaka bataryaya batarya kapağını takın ve kuru bir yerde depolayın.**
9. **Bataryayı ıslak ellerle değiştirmeyin.**
10. **Batarya ıslanırsa içinden suyu boşaltın ve ardından kuru bir bezle silin. Kullanmadan önce bataryayı kuru bir yerde tamamen kurulayın.**

Servis

1. **Elektrikli aletinize nitelikli bir onarım elemanı tarafından orijinal parçaları kullanılarak servis verilmesini sağlayın.** Bu, elektrikli aletin güvenli kalmasını temin eder.
2. **Hasarlı batarya kutularını asla tamir etmeye çalışmayın.** Batarya kutularının tamiri sadece üretici veya yetkili servis sağlayıcıları tarafından yapılmalıdır.

BU TALİMATLARI SAKLAYIN.

⚠UYARI: Ürünü kullanırken (defalarca kullanınca kazanılan) rahatlık ve tanıdıklık duygusunu ilgili ürünün güvenlik kurallarına sıkı sıkıya bağlı kalmanın yerine geçmesine İZİN VERMEYİN.

YANLIŞ KULLANIM veya bu kullanma kılavuzunda belirtilen emniyet kurallarına uymama ciddi yaralanmaya neden olabilir.

Batarya kartuşu hakkında önemli güvenlik talimatları

1. **Batarya kartuşunu kullanmadan önce, tüm talimatları ve (1) batarya kartuşu, (2) batarya ve (3) ürün üzerindeki tüm uyarı işaretlerini okuyun.**
2. **Batarya kartuşunu parçalarına ayırmayın veya kurcalamayın.** Yangın, aşırı ısı veya patlamaya neden olabilir.
3. **Çalışma süresi aşırı derecede kısalmışsa kullanmayı derhal bırakın.** Aşırı ısınma, yanma riski hatta patlamaya neden olabilir.
4. **Gözünüze elektrolit kaçarsa, gözlerinizi temiz suyla durulayın ve hemen tıbbi yardım alın.** Görme kaybına yol açabilir.

5. **Batarya kartuşuna kısa devre yaptırmayın:**
 - (1) **Terminallere herhangi bir iletken madde değdirmeyin.**
 - (2) **Batarya kartuşunu çiviler, madeni paralar, vb. gibi başka metal nesnelere aynı kaba koymaktan kaçının.**
 - (3) **Batarya kartuşunu yağmura ya da suya maruz bırakmayın.****Kısa devre, büyük bir akım akışına, aşırı ısınmaya, olası yanıklara hatta bataryanın bozulmasına yol açabilir.**
6. **Aleti ve batarya kartuşunu sıcaklığın 50°C ya da daha yükseğe ulaştığı yerlerde saklamayın ve kullanmayın.**
7. **Aşırı derecede hasar görmüş ya da tamamen kullanılamaz durumda olsa bile batarya kartuşunu yakmayın.** Batarya kartuşu ateşe atılırsa patlayabilir.
8. **Batarya kartuşunu çivilemeyin, kesmeyin, ezmeyin, fırlatmayın, düşürmeyin ya da batarya kartuşuna sert bir nesne ile vurmeyin.** Bu eylemler yangın, aşırı ısı veya patlamaya neden olabilir.
9. **Hasarlı bataryayı kullanmayın.**
10. **Aletin içerdığı lityum-iyon bataryalar Tehlikeli Eşyalar Yönetmeliğinin gereksinimlerine tabidir.** Ticari nakliye işlemleri için, örneğin üçüncü taraflar, nakliye acenteleri tarafından yapılan nakliyelerde, paketleme ve etiketleme gereksinimlerine uyulmalıdır. Nakliyesi yapılacak ürünün hazırlanması için, tehlikeli maddeler konusunda uzman bir kişiye danışın. Lütfen muhtemelen daha ayrıntılı olan ulusal yönetmeliklere de uyun. Açık kontakları bantlayın ya da maskeleyin ve bataryayı paketin içinde hareket etmeyecek şekilde paketleyin.
11. **Batarya kartuşunu bertaraf ederken aletten çıkarın ve güvenli bir yerde bertaraf edin.** Bataryanın bertaraf edilmesi ile ilgili yerel düzenlemelere uyunuz.
12. **Bataryaları sadece Makita tarafından belirtilen ürünlerle kullanın.** Bataryaların uyumsuz ürünlere takılması; yangın, aşırı ısınma, patlama ya da elektrolit sızıntısına neden olabilir.
13. **Alet uzun süre kullanılmıyacaksa batarya aletten çıkarılmalıdır.**
14. **Kullanma sırasında ve sonrasında batarya kartuşu ısınarak yanıklara veya düşük sıcaklık yanıklarına yol açabilir.** Sıcak batarya kartuşları ile işlem yaparken dikkat edin.
15. **Yanıklara neden olabilecek kadar sıcak olabileceğinden kullandıktan hemen sonra aletin terminaline dokunmayın.**
16. **Batarya kartuşunun terminalerine, deliklerine ve kanallarına mıcı, toz veya toprak girmesine izin vermayın.** Aletin veya batarya kartuşunun zayıf performans göstermesine veya bozulmasına neden olabilir.
17. **Alet yüksek gerilim elektrik güç hatları yakınında kullanımı desteklemediği sürece batarya kartuşunu yüksek gerilim elektrik güç hatlarının yakınında kullanmayın.** Aletin veya batarya kartuşunun arızalanmasına veya bozulmasına neden olabilir.
18. **Bataryayı çocuklardan uzak tutun.**

BU TALİMATLARI MUHAFAZA EDİNİZ.

⚠DİKKAT: Sadece orijinal Makita bataryalarını kullanın. Orijinal olmayan Makita bataryaları ya da üzerine değişiklik yapılmış bataryaların kullanımı bataryanın patlamasına ve sonuç olarak yangın, kişisel yaralanma ve hasara neden olabilir. Ayrıca Makita aleti ve şarj aletinin Makita tarafından sunulan garantisini de geçersiz olur.

Maksimum batarya ömrü için ipuçları

1. Batarya kartuşunu tamamen boşalmadan önce şarj edin. Aletin gücünün zayıflamaya başladığını fark ettiğinizde aleti durdurun ve batarya kartuşunu şarj edin.
2. Tam dolu bir batarya kartuşunu asla yeniden şarj etmeyin. Aşırı şarj etme bataryanın hizmet ömrünü kısaltır.
3. Batarya kartuşunu 10°C - 40°C oda sıcaklığında şarj edin. Sıcak bir batarya kartuşunu şarj etmeden önce soğumasını bekleyin.
4. Batarya kartuşunu kullanıyorken aletten veya şarj aletinden çıkarın.
5. Uzun bir süre (altı aydan daha fazla) kullanmadığınız durumlarda batarya kartuşunu şarj edin.

MONTAJ

⚠DİKKAT: Makine üzerinde herhangi bir iş yapmadan önce mutlaka makinenin kapalı ve taşınabilir güç ünitesinin makineden ayrıldığından emin olun.

Uç nozulun takılması

Uç nozul üzerindeki üçgen işaretini ön boru üzerindeki üçgen işareti ile hizalayın, ardından uç nozulu ön boruya takın ve daha sonra uç nozulu çevirerek yerine kilitleyin.

Uç nozulu, nozulun ucu aşağı bakacak şekilde takın. Çalışma ortamına bağlı olarak uç nozulu, nozulun ucu yukarı bakacak şekilde takabilirsiniz.

► **Şek.1:** 1. Üçgen işareti 2. Uç nozul 3. Ön boru

Uç nozulu çıkarmak için, takma işlemini tersinden uygulayın.

NOT: Ağız uzunluğu, şekilde gösterildiği gibi ağız hareket ettirilerek değiştirilebilir.

► **Şek.2:** 1. Uç nozul 2. Ön boru

Yassı nozul veya uzatma nozulunun takılması

İsteğe bağlı aksesuarlar

1. Adaptör borusu üzerindeki girintiyi ön boru üzerindeki çıkıntı ile hizalayın, ardından adaptör borusunu ön boruya takın ve daha sonra çevirerek yerine kilitleyin.

► **Şek.3:** 1. Adaptör borusu 2. Ön boru

2. Yassı nozul veya uzatma nozulu üzerindeki girintiyi adaptör borusu üzerindeki çıkıntı ile hizalayın, ardından yassı nozul veya uzatma nozulunu adaptör borusuna takın ve daha sonra çevirerek yerine kilitleyin.

► **Şek.4:** 1. Yassı nozul 2. Uzatma nozulu 3. Adaptör borusu

Oluk nozul setinin takılması

İsteğe bağlı aksesuarlar

1. Adaptör borusu üzerindeki girintiyi ön boru üzerindeki çıkıntı ile hizalayın, ardından adaptör borusunu ön boruya takın ve daha sonra çevirerek yerine kilitleyin.

Adaptör borusunu, çıkıntı adaptör borusu üzerindeki en derin girintiyeye oturacak şekilde sonuna kadar sokun.

► **Şek.5:** 1. Vida 2. Hortum kelepçesi 3. Adaptör borusu 4. Ön boru

2. Hortum kelepçelerindeki vidaları gevşetin ve büyük hortum kelepçesini adaptör borusundan geçirin ve ardından küçük hortum kelepçesini geçirin.

3. Uzatma borusunu adaptör borusuna bağlayın.

Uzatma borusu üzerindeki girintiyi, adaptör borusu üzerindeki çıkıntı ile hizalayın ve ardından üçgen işaretleri birbirine bakacak şekilde uzatma borusunu girintisi boyunca kaydırın.

► **Şek.6:** 1. Uzatma borusu 2. Adaptör borusu

4. Hortum kelepçelerini yivlere yerleştirin ve daha sonra vidaları sıkın.

► **Şek.7:** 1. Vida 2. Hortum kelepçesi

5. Çalışma yükseklğine bağlı olarak kalan uzatma borularını, önceden takılmış olan uzatma borusuna bağlayın.

⚠DİKKAT: Üfleyci gövdesi dahil toplam uzunluk 4 m'yi aşıyorsa uzatma borusunu takmayın.

6. Uç nozulun çıkışını, şekilde gösterildiği gibi çevirin.

► **Şek.8**

7. Uç nozulu uzatma borusuna bağlayın. Bağlarken, uç nozul ve uzatma borusu üzerindeki üçgen işaretlerini hizalayın ve ardından uç nozulu tık sesi ile yerine oturana dek ittirin. Ondan sonra uç nozulu, işiniz için uygun bir konuma çevirin.

► **Şek.9:** 1. Uç nozul 2. Uzatma borusu 3. Üçgen işareti

Uç nozulu çıkarırken uç nozul ve uzatma borusu üzerindeki üçgen işaretlerini hizalayın ve ardından uç nozulu çekerek uzatma borusundan çıkarın.

► **Şek.10:** 1. Uç nozul 2. Uzatma borusu 3. Üçgen işareti

İŞLEVSEL NİTELİKLER

⚠️ DİKKAT: Makine üzerinde ayarlama ya da işleyiş kontrolü yapmadan önce mutlaka makinenin kapalı ve taşınabilir güç ünitesinin makineden ayrıldığından emin olun.

Makine / batarya koruma sistemi

Makine bir makine/batarya koruma sistemi ile donatılmıştır. Bu sistem makine ve batarya ömrünü uzatmak için motorun gücünü otomatik olarak keser. Makine veya batarya için aşağıdaki durumlardan biri söz konusu olduğunda makinenin işleyişi otomatik olarak durur:

Aşırı yük koruması

Makine veya batarya, anormal yüksek akım çekmesine neden olacak şekilde çalıştırılırsa makine otomatik olarak durur ve makinenin ana güç lambası yeşil yanıp söner. Bu durumda makineyi kapatın ve makinenin aşırı yüklenmesine neden olan uygulamayı kesin. Ardından makineyi açarak yeniden çalıştırın.

Aşırı ısınma koruması

Makine veya batarya aşırı ısındığında makine otomatik olarak durur. Makine aşırı ısındığında makinenin ana güç lambası kırmızı yanar. Batarya aşırı ısındığında makinenin ana güç lambası kırmızı yanıp söner. Yeniden çalıştırmadan önce makine ve bataryanın soğumasını bekleyin.

Aşırı deşarj koruması

Batarya kapasitesi yeterli değilse makine otomatik olarak durur ve makinenin ana güç lambası kırmızı yanıp söner. Bu durumda, bataryayı makineden çıkarın ve bataryayı şarj edin veya bataryayı tam şarjlı olanla değiştirin.

Ana güç anahtarı

⚠️ UYARI: Kullanımda değilken ana güç anahtarını daima kapatın.

Makineyi açmak için, ana güç anahtarına basın. Ana güç lambası yeşil yanar. Kapatmak için, ana güç anahtarına bir kez daha basın.

► **Şek.11:** 1. Ana güç lambası 2. Ana güç anahtarı

NOT: Bu makine otomatik güç kapama fonksiyonu kullanır. Yanlışlıkla çalışmaları engellemek için ana güç anahtarı açıldıktan sonra belirli bir süre boyunca anahtar tetik çekilmezse ana güç anahtarı otomatik olarak kapanır.

NOT: Kontrol kolu kapalı konuma tam olarak getirilmeden veya anahtar tetiği çekerken ana güç anahtarına basarsanız ana güç lambası yeşil yanıp söner. Bu durumda kontrol kolunu tam olarak getirin veya anahtar tetiği bırakın ve ardından ana güç anahtarına basın.

Anahtar işlemi

⚠️ UYARI: Taşınabilir güç ünitesini makineye bağlamadan önce, anahtar tetiğinin düzgün çalıştığından ve bırakıldığında "OFF" (KAPALI) pozisyona döndüğünden emin olun.

Makineyi çalıştırmak için, anahtar tetiği çekin. Hız, anahtar tetiğe uygulanan basınç artırılarak artar. Aleti durdurmak için anahtar tetiği bırakın.

► **Şek.12:** 1. Anahtar tetik

Makineyi Takviye modunda kullanabilirsiniz. Takviye modunda hava hacmi, normal moda göre daha fazla olur. Makineyi Takviye modunda kullanmak için anahtar tetiği, anahtar tetik yarı pozisyonda durana kadar çekin ve ardından anahtar tetiği sonuna kadar çekin.

► **Şek.13:** 1. Anahtar tetik

NOT: Kullanım koşullarına bağlı olarak makineyi korumak için Takviye modunun kullanımı kısıtlanır. Anahtar tetiği sonuna kadar çektiğinizde veya makineyi Takviye modunda kullanırken makinenin ana güç lambası yeşil yanıp sönerse Takviye modu kullanılamaz.

NOT: Takviye modu, kontrol kolu çevrilerek kullanılamaz.

Hız sabitleme fonksiyonu

Hız sabitleme fonksiyonu, operatörün tetiği çekmeden sabit bir hız korumasına izin verir. Hızı artırmak için kontrol kolunu ileriye doğru çevirin. Hızı azaltmak için kontrol kolunu geriye doğru çevirin.

► **Şek.14:** 1. Kontrol kolu

İstemsiz yeniden başlatma önleyici işlev

Taşınabilir güç ünitesini makineye anahtar tetiği çekerken bağlarsanız bile makine çalışmaz. Makineyi çalıştırmak için önce anahtar tetiği bırakın ve kontrol kolunu tam olarak geri getirin ve ardından anahtar tetiği çekin.

KULLANIM

Taşınabilir güç ünitesinin bağlanması

⚠️ DİKKAT: Makineyi taşınabilir güç ünitesi gibi sırt çantası tipi güç kaynağı ile birlikte kullanırken makine paketinde verilen askı kayışını veya Makita tarafından önerilen askı kayışını kullanın.

Makita tarafından önerilmeyen omuz askısını ve sırt çantası tipi güç kaynağının omuz askısını aynı anda takarsanız acil bir durumda makine veya sırt çantası tipi güç kaynağının çıkarılması zor olur ve kaza veya yaralanmaya neden olabilir. Önerilen askı kayışı için Makita Yetkili Servis Merkezlerine başvurun.

⚠️ DİKKAT: Çalıştırmadan önce bel kemerindeki tokaların kilitti olduğundan ve makinenin askı kayışının kancasına sıkıca takıldığından emin olun.

⚠️ DİKKAT: İstemsiz çalışmayı önlemek için bu işleme başlamadan önce makine ve taşınabilir güç ünitesinin kapatıldığından emin olun.

⚠️ DİKKAT: Bu işlemi yapmadan önce bel kemeri ile omuz askısının ayarlamalarını tamamlayın. Daha fazla bilgi için taşınabilir güç ünitesi kullanma kılavuzuna bakın.

PDC1200 için

⚠️ DİKKAT: Bataryayı çıkarırken tutamağı sıkıca tutarken kilitleme düğmesine basın. Bataryayı çıkarmadan önce bel kemerini en alt konuma ayarlayın.

► **Şek.15:** 1. Tutamak 2. Kilitleme düğmesi

⚠️ DİKKAT: Bataryayı takarken parmaklarınızı batarya ile altlığın arasına sıkıştırmamaya dikkat edin.

⚠️ DİKKAT: Bataryanın altlığa güvenli bir şekilde sabitlendiğinden emin olun. Aksi takdirde üniteyi üzerinize taktığınızda veya üniteyi kullanırken batarya düşerek yaralanmaya neden olabilir. Şekilde gösterildiği gibi kırmızı göstergesi görebiliyorsanız, batarya tam olarak kilitlememiş demektir.

► **Şek.16:** 1. Kırmızı gösterge

PDC01 için

NOT: Bu işlemi yapmadan önce batarya kartuşunu/kartuşlarını taşıyabilir güç ünitesine takın. Daha fazla bilgi için taşıyabilir güç ünitesi kullanma kılavuzuna bakın.

1. Kabloyu bataryanın sağ veya sol tarafından dışarı çıkarın.

PDC1200 için

Bataryayı altlıktan çıkarın ve ardından kabloyu bataryanın sağ veya sol tarafından dışarı çıkarın ve ardından bataryayı altlığa takın. Kabloyu dışarı çıkarırken kabloyu şekilde gösterildiği gibi tutuculara oturttuğunuzdan emin olun.

► **Şek.17:** 1. Kablo 2. Tutucu

PDC01 için

Kabloyu dışarı çıkarırken kabloyu şekilde gösterdiği gibi tutuculara oturttuğunuzdan emin olun.

► **Şek.18:** 1. Kablo 2. Tutucu

2. Kabloyu kablo tutuculara takın.

► **Şek.19:** 1. Kablo tutucu

3. Askı kayışının kancalarını omuz askısının ve bel kemerinin halkalarına takın.

► **Şek.20:** 1. Halka 2. Kanca

4. Taşınabilir güç ünitesinin güç düğmesine basın. Ana güç lambası yanar.

PDC1200 için

► **Şek.21:** 1. Güç düğmesi 2. Ana güç lambası

PDC01 için

► **Şek.22:** 1. Güç düğmesi 2. Ana güç lambası

5. Taşınabilir güç ünitesinin omuz askısını takın ve bel kemeri üzerindeki tokayı kilitleyin.

► **Şek.23**

6. Askı kayışının üzerindeki kancayı kullanarak omuz askısını makineye takın. Mutlaka makinenin askısına takın.

► **Şek.24:** 1. Kanca 2. Askı

Askı kayışının uzunluğunu gerektiği gibi ayarlayın.

► **Şek.25**

7. Makinenin fişini taşıyabilir güç ünitesinin prizine takın. Takarken hem fiş hem de priz üzerinde üçgen işaretini hizalayın.

► **Şek.26:** 1. Fiş 2. Priz 3. Üçgen işaretli

8. Makineyi açmak için ana güç anahtarına basın.

Makine çalışmaya hazırdır. Makine, anahtar tetiği çektiğinizde çalışır.

► **Şek.27:** 1. Ana güç anahtarı

NOT: Askı kayışını şekilde gösterdiği gibi de kullanabilirsiniz.

► **Şek.28**

Askı kayışının uzunluğunu gerektiği gibi ayarlayın.

► **Şek.29**

Üfleme makinesinin kullanılması

⚠️ DİKKAT: Makineyi çalışırken yere koymayın. Emme girişinden kum veya toz girerek arıza veya yaralanmaya neden olabilir.

Makineyi bir elle sıkıca tutun ve etrafa yavaşça hareket ettirerek üfleme işlemini gerçekleştirin. Bina, büyük kaya veya araçların etrafında üfleme yaparken nozulun yönünü bunlardan uzaklaştırın. Bir köşede işlem yaparken köşeden başlayın ve ardından geniş alana geçin.

► **Şek.30**

Makineyi yere koyarken makineyi bir elinizle tutarak askı kayışını üzerindeki tokayı diğer elinizle açın.

► **Şek.31:** 1. Toka

► **Şek.32:** 1. Toka

Makine ve taşıyabilir güç ünitesini aynı anda yere koyarken bel kemeri üzerindeki tokayı açın ve ardından makine ve taşıyabilir güç ünitesini yere koyun.

► **Şek.33:** 1. Toka

NOT: Tokayı açarken tokenın her iki tarafındaki tırnaklara bastırın. Tokayı kilitletken tırnakları kilitlemeye kadar sokun.

► **Şek.34:** 1. Tırnak

Oluk nozul setinin kullanılması

⚠️ DİKKAT: Oluk nozul setini kullanırken makineyi Takviye modunda kullanmayın. Takviye modunda hava hacmi arttığından dengeni kaybedebilirsiniz ve bu, kazaya neden olabilir.

⚠️ DİKKAT: Oluk nozul setini kullanırken üfleyciyi tek elle değil, her iki elinizle tutun.

► **Şek.35**

⚠️ DİKKAT: Oluk nozul setini elektrik tellerinin yakınında kullanmayın.

► **Şek.36**

⚠️ DİKKAT: Oluk nozul setini rüzgarlı günlerde kullanmayın.

► **Şek.37**

⚠️ DİKKAT: Oluk nozul setini kullanırken diğer insanları veya hayvanları üfleyciden en az 15 m uzakta tutun.

► **Şek.38**

Üfleycinin kolunu kavrayarak üfleyciyi dik tutun. Üfleycinin çıkışını oluğa yerleştirin ve ardından üfleyciyi açın.

► **Şek.39**

BAKIM

⚠ DİKKAT: Kontrol veya bakım yapmaya kalışmadan önce mutlaka makinenin kapalı ve taşınabilir güç ünitesinin makineden ayrıldığından emin olun.

Aleti EMNİYETLİ ve ÇALIŞMAYA HAZIR durumda tutmak için onarımlar, başka her türlü bakım ve ayarlamalar daima Makita yedek parçaları kullanılarak Makita yetkili servis merkezleri veya Fabrikanın Servis Merkezleri tarafından yapılmalıdır.

Makinenin temizlenmesi

Makineyi kuru bir bezle veya sabunlu suya batırılıp sıkılmış bir bezle silerek tozunu alın.
► Şek.40

ÖNEMLİ NOT: Benzin, tiner, alkol ve benzeri maddeleri kesinlikle kullanmayın. Renk değişimi, deformasyon veya çatlaklar oluşabilir.

Makinenin arka tarafındaki emme girişinden toz veya kirleri temizleyin.

► Şek.41: 1. Emme girişi

Saklama

Makineyi saklamadan önce taşınabilir güç ünitesini makineden ayırın ve tam bakım uygulayın. Makineyi çocukların erişemeyeceği ve nem, yağmur veya doğrudan güneş ışığına maruz kalmayan bir yerde saklayın.

Makinenin alt kısmındaki kanca deliği, makineyi bir çivi ya da vida kullanılarak duvara asmak için kullanışlıdır.

► Şek.42: 1. Delik

SORUN GİDERME

Onarım için servise gitmeden önce kendi kontrollerinizi yapın. Kılavuzda açıklanmayan bir problemle karşılaşırsanız makineyi demonte etmeyin. Bunun yerine, onarım için daima orijinal Makita yedek parçaları kullanan Makita yetkili servis merkezlerine başvurun.

Anormal durum	Olası nedeni (arıza)	Çözümü
Motor çalışmıyor.	Batarya takılı değil.	Bataryayı takın.
	Batarya sorunu (voltaj yetersiz)	Bataryayı şarj edin. Şarj etmek işe yaramıyorsa, bataryayı değiştirin.
	Sürüş sistemi doğru işlemiyor.	Yerel yetkili servis merkezinizden tamir etmelerini isteyin.
Kısa bir kullanımdan sonra motor duruyor.	Bataryanın şarj seviyesi düşük.	Bataryayı şarj edin. Şarj etmek işe yaramıyorsa, bataryayı değiştirin.
	Aşırı ısınma.	Makineyi kullanmayı durdurun ve soğumasını bekleyin.
Makine maksimum hıza ulaşmıyor.	Batarya düzgün takılmamış.	Bataryayı bu kılavuzda açıklandığı gibi takın.
	Batarya gücü düşüyor.	Bataryayı şarj edin. Şarj etmek işe yaramıyorsa, bataryayı değiştirin.
	Sürüş sistemi doğru işlemiyor.	Yerel yetkili servis merkezinizden tamir etmelerini isteyin.
Olağan dışı titreşim: ⇒ makineyi hemen durdurun!	Sürüş sistemi doğru işlemiyor.	Yerel yetkili servis merkezinizden tamir etmelerini isteyin.
Motor durdurulamıyor: ⇒ Bataryayı hemen çıkarın!	Elektriksel veya elektronik arıza.	Bataryayı çıkarın ve yerel yetkili servis merkezinizden tamir etmelerini isteyin.

İSTEĞE BAĞLI AKSESUARLAR

⚠ DİKKAT: Bu kullanım kılavuzunda belirtilen Makita ürünüyle aşağıdaki aksesuarların ve parçaların kullanılması önerilir. Başka her türlü aksesuar veya ek parça kullanımı yaralanma riski teşkil edebilir. Aksesuar veya ek parçayı mutlaka amacına uygun kullanın.

Bu aksesuarlarla ilgili daha fazla bilgiye ihtiyaç duyarsanız bulunduğunuz yerdeki yetkili Makita servisine başvurun.

- Adaptör borusu
- Uzatma nozulu
- Yassı nozul
- Oluk nozul seti
- Kayış takımı
- Orijinal Makita batarya ve şarj aleti

NOT: Listedeki bazı kalemler ürünün ambalajında standart aksesuar olarak yer alabilir. Bunlar ülkeden ülkeye değişebilir.

Makita Europe N.V. Jan-Baptist Vinkstraat 2,
3070 Kortenberg, Belgium

Makita Corporation 3-11-8, Sumiyoshi-cho,
Anjo, Aichi 446-8502 Japan

www.makita.com

885801-992
EN, FR, DE, IT, NL,
ES, PT, DA, EL, TR
20200821