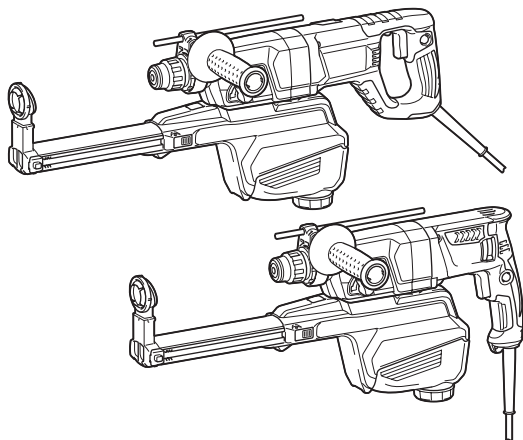


INSTRUCTION MANUAL
MANUEL D'INSTRUCTION
MANUAL DE INSTRUCCIONES



Combination Hammer With Self Dust Collection Perforateur Burineur Avec Système d'Aspiration De Poussières Martillo Combinado con Recolección Automática de Polvo

HR2652
HR2653
HR2653T
HR2663



DOUBLE INSULATION
DOUBLE ISOLATION
DOBLE AISLAMIENTO

IMPORTANT: Read Before Using.
IMPORTANT : Lire avant usage.
IMPORTANTE: Lea antes de usar.

SPECIFICATIONS

Model:		HR2652	HR2653	HR2653T	HR2663
Capacities	Concrete	26 mm (1")			
	Core bit	68 mm (2-11/16")			
	Diamond core bit (dry type)	80 mm (3-1/8")			
	Steel	13 mm (1/2")			
	Wood	32 mm (1-1/4")			
No load speed	0 - 1,200/min			0 - 1,100/min	
Blows per minute	0 - 4,600/min			0 - 4,500/min	
Overall length	604 mm (23-3/4")		630 mm (24-3/4")		666 mm (26-1/4")
Net weight	3.0 - 4.3 kg (6.7 - 9.4 lbs)	3.1 - 4.3 kg (6.9 - 9.6 lbs)	3.2 - 4.5 kg (7.2 - 9.9 lbs)	3.3 - 4.6 kg (7.3 - 10.0 lbs)	
Safety class	□/II				

- Due to our continuing program of research and development, the specifications herein are subject to change without notice.
- Specifications may differ from country to country.
- The weight may differ depending on the attachment(s). The lightest and heaviest combination, according to EPTA-Procedure 01/2014, are shown in the table.

SAFETY WARNINGS

General power tool safety warnings

⚠ WARNING: Read all safety warnings, instructions, illustrations and specifications provided with this power tool. Failure to follow all instructions listed below may result in electric shock, fire and/or serious injury.

Save all warnings and instructions for future reference.

The term "power tool" in the warnings refers to your mains-operated (corded) power tool or BATTERY-operated (cordless) power tool.

Work area safety

1. **Keep work area clean and well lit.** Cluttered or dark areas invite accidents.
2. **Do not operate power tools in explosive atmospheres, such as in the presence of flammable liquids, gases or dust.** Power tools create sparks which may ignite the dust or fumes.
3. **Keep children and bystanders away while operating a power tool.** Distractions can cause you to lose control.

Electrical Safety

1. **Power tool plugs must match the outlet. Never modify the plug in any way. Do not use any adapter plugs with earthed (grounded) power tools.** Unmodified plugs and matching outlets will reduce risk of electric shock.
2. **Avoid body contact with earthed or grounded surfaces, such as pipes, radiators, ranges and refrigerators.** There is an increased risk of electric shock if your body is earthed or grounded.

3. **Do not expose power tools to rain or wet conditions.** Water entering a power tool will increase the risk of electric shock.
4. **Do not abuse the cord. Never use the cord for carrying, pulling or unplugging the power tool. Keep cord away from heat, oil, sharp edges or moving parts.** Damaged or entangled cords increase the risk of electric shock.
5. **When operating a power tool outdoors, use an extension cord suitable for outdoor use.** Use of a cord suitable for outdoor use reduces the risk of electric shock.
6. **If operating a power tool in a damp location is unavoidable, use a Residual Current Device (RCD) protected supply.** Use of an RCD reduces the risk of electric shock.
7. **Power tools can produce electromagnetic fields (EMF) that are not harmful to the user.** However, users of pacemakers and other similar medical devices should contact the maker of their device and/or doctor for advice before operating this power tool.
8. **Do not touch the power plug with wet hands.**
9. **If the cord is damaged, have it replaced by the manufacturer or his agent in order to avoid a safety hazard.**

Personal Safety

1. **Stay alert, watch what you are doing and use common sense when operating a power tool. Do not use a power tool while you are tired or under the influence of drugs, alcohol or medication.** A moment of inattention while operating power tools may result in serious personal injury.
2. **Use personal protective equipment. Always wear eye protection.** Protective equipment such as dust mask, non-skid safety shoes, hard hat, or hearing protection used for appropriate conditions will reduce personal injuries.

3. **Prevent unintentional starting. Ensure the switch is in the off-position before connecting to power source and/or BATTERY pack, picking up or carrying the tool.** Carrying power tools with your finger on the switch or energising power tools that have the switch on invites accidents.
4. **Remove any adjusting key or wrench before turning the power tool on.** A wrench or a key left attached to a rotating part of the power tool may result in personal injury.
5. **Do not overreach. Keep proper footing and balance at all times.** This enables better control of the power tool in unexpected situations.
6. **Dress properly. Do not wear loose clothing or jewellery. Keep your hair, clothing and gloves away from moving parts.** Loose clothes, jewellery or long hair can be caught in moving parts.
7. **If devices are provided for the connection of dust extraction and collection facilities, ensure these are connected and properly used.** Use of dust collection can reduce dust-related hazards.
8. **Do not let familiarity gained from frequent use of tools allow you to become complacent and ignore tool safety principles.** A careless action can cause severe injury within a fraction of a second.
9. **Always wear protective goggles to protect your eyes from injury when using power tools. The goggles must comply with ANSI Z87.1 in the USA. It is an employer's responsibility to enforce the use of appropriate safety protective equipments by the tool operators and by other persons in the immediate working area.**
5. **Maintain power tools and accessories. Check for misalignment or binding of moving parts, breakage of parts and any other condition that may affect the power tool's operation. If damaged, have the power tool repaired before use.** Many accidents are caused by poorly maintained power tools.
6. **Keep cutting tools sharp and clean.** Properly maintained cutting tools with sharp cutting edges are less likely to bind and are easier to control.
7. **Use the power tool, accessories and tool bits etc. in accordance with these instructions, taking into account the working conditions and the work to be performed.** Use of the power tool for operations different from those intended could result in a hazardous situation.
8. **Keep handles and grasping surfaces dry, clean and free from oil and grease.** Slippery handles and grasping surfaces do not allow for safe handling and control of the tool in unexpected situations.
9. **When using the tool, do not wear cloth work gloves which may be entangled.** The entanglement of cloth work gloves in the moving parts may result in personal injury.

Service

1. **Have your power tool serviced by a qualified repair person using only identical replacement parts.** This will ensure that the safety of the power tool is maintained.
2. **Follow instruction for lubricating and changing accessories.**

To reduce the risk of electric shock, this equipment has a polarized plug (one blade is wider than the other). This plug will fit in a polarized outlet only one way. If the plug does not fit fully in the outlet, reverse the plug. If it still does not fit, contact a qualified electrician to install the proper outlet. Do not change the plug in any way.

VOLTAGE WARNING: Before connecting the tool to a power source (receptacle, outlet, etc.) be sure the voltage supplied is the same as that specified on the nameplate of the tool. A power source with voltage greater than that specified for the tool can result in SERIOUS INJURY to the user- as well as damage to the tool. If in doubt, DO NOT PLUG IN THE TOOL. Using a power source with voltage less than the nameplate rating is harmful to the motor.

USE PROPER EXTENSION CORD. Make sure your extension cord is in good condition. When using an extension cord, be sure to use one heavy enough to carry the current your product will draw. An undersized cord will cause a drop in line voltage resulting in loss of power and overheating. Table 1 shows the correct size to use depending on cord length and nameplate ampere rating. If in doubt, use the next heavier gage. The smaller the gage number, the heavier the cord.

Power tool use and care

1. **Do not force the power tool. Use the correct power tool for your application.** The correct power tool will do the job better and safer at the rate for which it was designed.
2. **Do not use the power tool if the switch does not turn it on and off.** Any power tool that cannot be controlled with the switch is dangerous and must be repaired.
3. **Disconnect the plug from the power source and/ or remove the BATTERY pack, if detachable, from the power tool before making any adjustments, changing accessories, or storing power tools.** Such preventive safety measures reduce the risk of starting the power tool accidentally.
4. **Store idle power tools out of the reach of children and do not allow persons unfamiliar with the power tool or these instructions to operate the power tool.** Power tools are dangerous in the hands of untrained users.

Table 1: Minimum gage for cord

Ampere Rating		Volts	Total length of cord in feet			
			25 ft.	50 ft.	100 ft.	150 ft.
		120V	25 ft.	50 ft.	100 ft.	150 ft.
		220V - 240V	50 ft.	100 ft.	200 ft.	300 ft.
More Than	Not More Than	AWG				
0 A	6 A	-	18	16	16	14
6 A	10 A		18	16	14	12
10 A	12 A		16	16	14	12
12 A	16 A		14	12	Not Recommended	

ROTARY HAMMER SAFETY WARNINGS



1. **Wear ear protectors.** Exposure to noise can cause hearing loss.
2. **Use auxiliary handle(s), if supplied with the tool.** Loss of control can cause personal injury.
3. **Hold power tool by insulated gripping surfaces, when performing an operation where the cutting accessory may contact hidden wiring or its own cord.** Cutting accessory contacting a "live" wire may make exposed metal parts of the power tool "live" and could give the operator an electric shock.
4. **Wear a hard hat (safety helmet), safety glasses and/or face shield. Ordinary eye or sun glasses are NOT safety glasses.** It is also highly recommended that you wear a dust mask and thickly padded gloves.
5. **Be sure the bit is secured in place before operation.**
6. **Under normal operation, the tool is designed to produce vibration. The screws can come loose easily, causing a breakdown or accident. Check tightness of screws carefully before operation.**
7. **In cold weather or when the tool has not been used for a long time, let the tool warm up for a while by operating it under no load. This will loosen up the lubrication. Without proper warm-up, hammering operation is difficult.**
8. **Always be sure you have a firm footing. Be sure no one is below when using the tool in high locations.**
9. **Hold the tool firmly with both hands.**
10. **Keep hands away from moving parts.**
11. **Do not leave the tool running. Operate the tool only when hand-held.**
12. **Do not point the tool at any one in the area when operating. The bit could fly out and injure someone seriously.**
13. **Do not touch the bit, parts close to the bit, or workpiece immediately after operation; they may be extremely hot and could burn your skin.**
14. **Some material contains chemicals which may be toxic. Take caution to prevent dust inhalation and skin contact. Follow material supplier safety data.**
15. **Do not touch the power plug with wet hands.**

SAVE THESE INSTRUCTIONS.

⚠ WARNING: DO NOT let comfort or familiarity with product (gained from repeated use) replace strict adherence to safety rules for the subject product. MISUSE or failure to follow the safety rules stated in this instruction manual may cause serious personal injury.

Symbols

The followings show the symbols used for tool.

v	volts
A	amperes
Hz	hertz
~	alternating current
n ₀	no load speed
	Class II Construction
... /min r /min	revolutions or reciprocation per minute
	number of blow

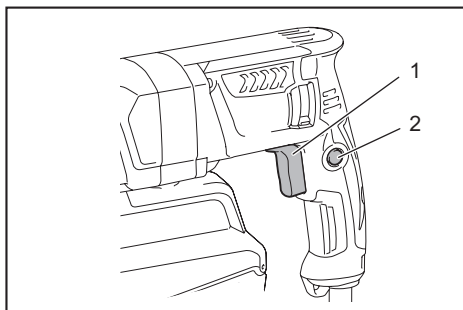
FUNCTIONAL DESCRIPTION

⚠ CAUTION: Always be sure that the tool is switched off and unplugged before adjusting or checking function on the tool.

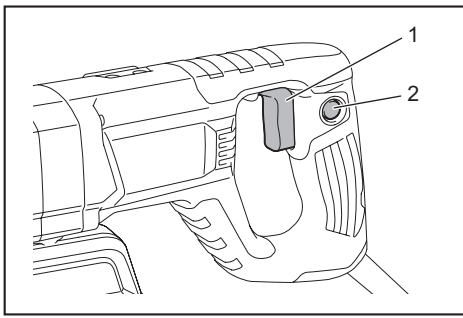
Switch action

⚠ CAUTION: Before plugging in the tool, always check to see that the switch trigger actuates properly and returns to the "OFF" position when released.

⚠ CAUTION: Switch can be locked in "ON" position for ease of operator comfort during extended use. Apply caution when locking tool in "ON" position and maintain firm grasp on tool.



► 1. Switch trigger 2. Lock button



► 1. Switch trigger 2. Lock button

To start the tool, simply pull the switch trigger. Tool speed is increased by increasing pressure on the switch trigger. Release the switch trigger to stop.

For continuous operation, pull the switch trigger, push in the lock button and then release the switch trigger. To stop the tool from the locked position, pull the switch trigger fully, then release it.

Reversing switch action

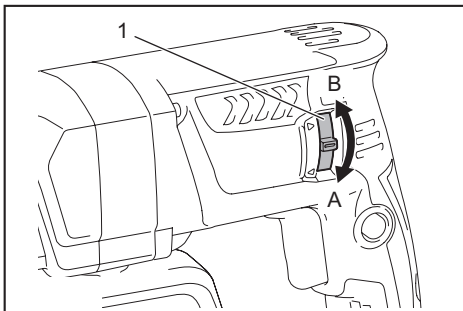
CAUTION: Always check the direction of rotation before operation.

NOTICE: Use the reversing switch only after the tool comes to a complete stop. Changing the direction of rotation before the tool stops may damage the tool.

NOTICE: If the switch trigger cannot be depressed, check to see that the reversing switch is fully set to position ◁ / ▷ (A side) or ▷ / ▷ (B side).

For HR2652/HR2653/HR2653T

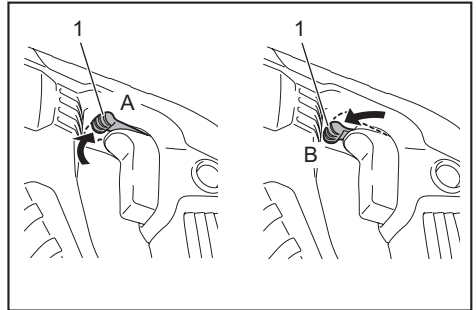
This tool has a reversing switch to change the direction of rotation. Move the reversing switch lever to the position ◁ (A side) for clockwise rotation or to the position ▷ (B side) for counterclockwise rotation.



► 1. Reversing switch lever

For HR2663

This tool has a reversing switch to change the direction of rotation. Move the reversing switch lever to the ◁ position (A side) for clockwise rotation or the ▷ position (B side) for counterclockwise rotation.



► 1. Reversing switch lever

NOTE: When you operate the tool in counterclockwise rotation, the switch trigger is pulled only halfway and the tool runs at half speed. For counterclockwise rotation, you cannot push in the lock button.

Changing the quick change chuck for SDS-plus

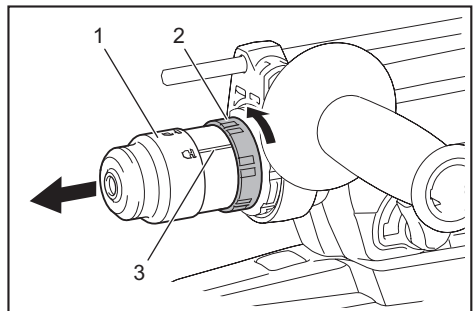
For HR2653T

The quick change chuck for SDS-plus can be easily exchanged for the quick change drill chuck.

Removing the quick change chuck for SDS-plus




CAUTION: Before removing the quick change chuck for SDS-plus, be sure to remove the bit.

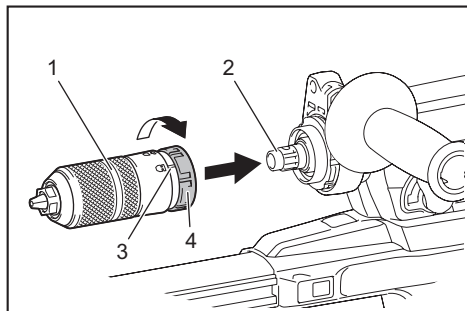
Grasp the change cover of the quick change chuck for SDS-plus and turn in the direction of the arrow until the change cover line moves from the symbol to the symbol. Pull forcefully in the direction of the arrow.



► 1. Quick change chuck for SDS-plus 2. Change cover 3. Change cover line

Installing the quick change drill chuck

Check the line of the quick change drill chuck shows the  symbol. Grasp the change cover of the quick change drill chuck and set the line to the  symbol. Place the quick change drill chuck on the spindle of the tool. Grasp the change cover of the quick change drill chuck and turn the change cover line to the  symbol until a click can clearly be heard.




- 1. Quick change drill chuck 2. Spindle 3. Change cover line 4. Change cover

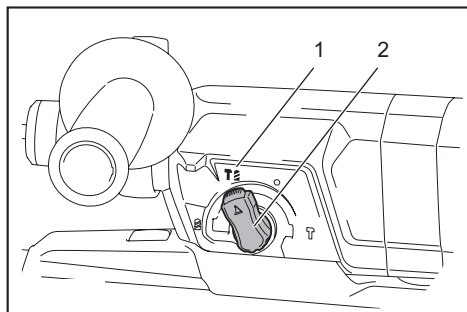
Selecting the action mode

NOTICE: Do not rotate the action mode changing knob when the tool is running. The tool will be damaged.

NOTICE: To avoid rapid wear on the mode change mechanism, be sure that the action mode changing knob is always positively located in one of the three action mode positions.


Rotation with hammering

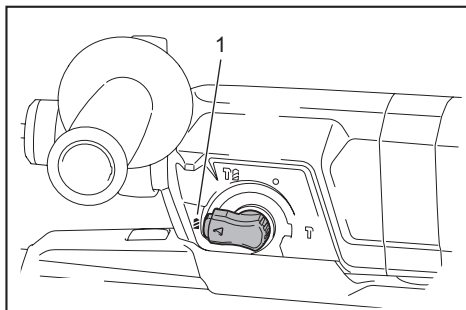
For drilling in concrete, masonry, etc., rotate the action mode changing knob to the  symbol. Use a tungsten-carbide tipped bit (optional accessory).



- 1. Rotation with hammering 2. Action mode changing knob


Rotation only

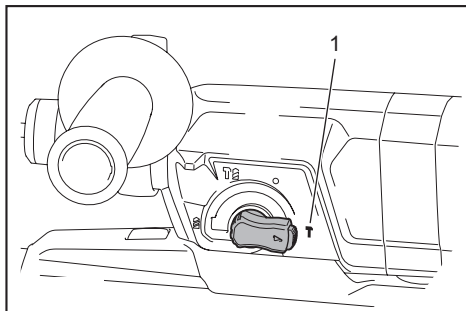
For drilling in wood, metal or plastic materials, rotate the action mode changing knob to the  symbol. Use a twist drill bit or wood drill bit.



- 1. Rotation only

Hammering only

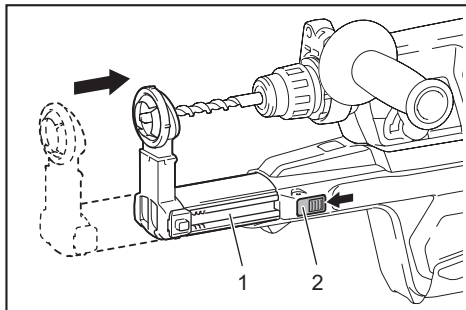
For chipping, scaling or demolition operations, rotate the action mode changing knob to the  symbol. Use a bull point, cold chisel, scaling chisel, etc.



- 1. Hammering only

Adjusting the nozzle position

Push in the guide while pressing the guide adjustment button, and then release the button at the desired position.

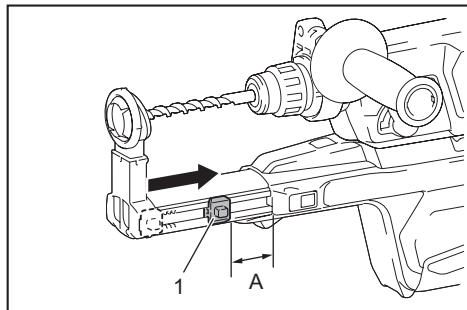


- 1. Guide 2. Guide adjustment button

NOTE: Before adjusting the nozzle position, release the nozzle forward completely by pressing the guide adjustment button.

Adjusting the drilling depth

Slide the depth adjustment button to the desired position while pressing it. The distance (A) is the drilling depth.



► 1. Depth adjustment button

Torque limiter

NOTICE: As soon as the torque limiter actuates, switch off the tool immediately. This will help prevent premature wear of the tool.

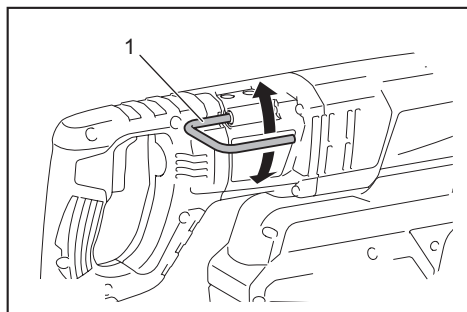
NOTICE: Drill bits such as hole saw, which tend to pinch or catch easily in the hole, are not appropriate for this tool. This is because they will cause the torque limiter to actuate too frequently.

The torque limiter will actuate when a certain torque level is reached. The motor will disengage from the output shaft. When this happens, the drill bit will stop turning.

Hook

CAUTION: Never hook the tool at high location or on potentially unstable surface.

For HR2663



► 1. Hook

The hook is convenient for temporarily hanging the tool. To use the hook, simply lift up hook until it snaps into the open position. When not in use, always lower hook until it snaps into the closed position.

ASSEMBLY

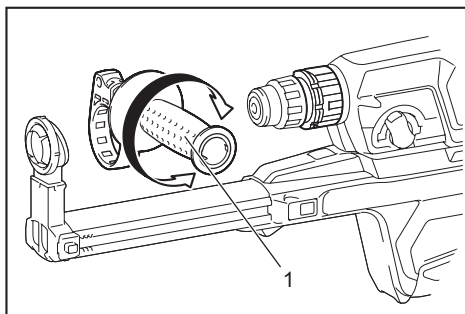
CAUTION: Always be sure that the tool is switched off and unplugged before carrying out any work on the tool.

Side grip (auxiliary handle)

CAUTION: Always use the side grip to ensure safe operation.

CAUTION: After installing or adjusting the side grip, make sure that the side grip is firmly secured.

Install the side grip so that the grooves on the grip fit in the protrusions on the tool barrel. Turn the grip clockwise to secure it. The grip can be fixed at desired angle.



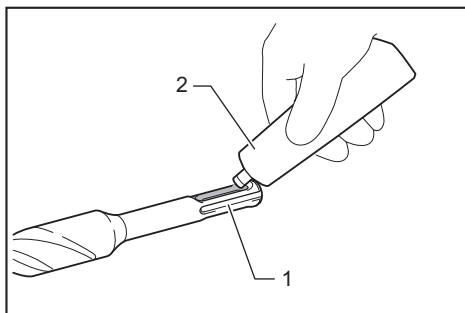
► 1. Side grip

Grease

Coat the shank end of the drill bit beforehand with a small amount of grease (about 0.5 - 1 g). This chuck lubrication assures smooth action and longer service life.

Installing or removing drill bit

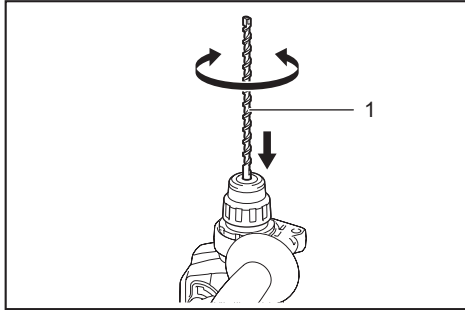
Clean the shank end of the drill bit and apply grease before installing the drill bit.



► 1. Shank end 2. Grease

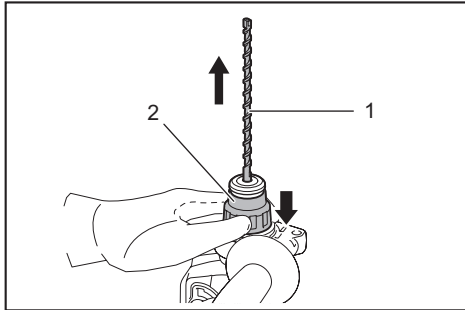
Insert the drill bit into the tool. Turn the drill bit and push it in until it engages.

After installing the drill bit, always make sure that the drill bit is securely held in place by trying to pull it out.



► 1. Drill bit

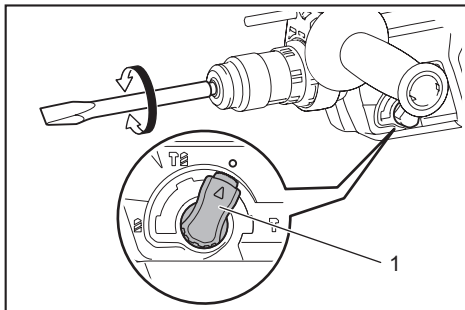
To remove the drill bit, pull the chuck cover down all the way and pull the drill bit out.



► 1. Drill bit 2. Chuck cover

Chisel angle (when chipping, scaling or demolishing)

The chisel can be secured at the desired angle. To change the chisel angle, rotate the action mode changing knob to the O symbol. Turn the chisel to the desired angle.

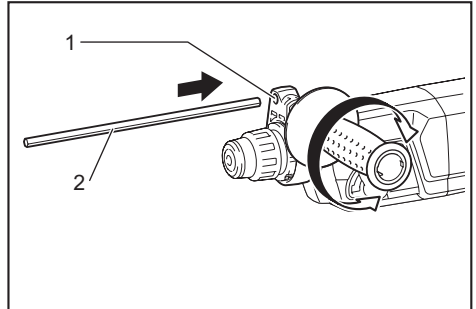


► 1. Action mode changing knob

Rotate the action mode changing knob to the ∇ symbol. Then make sure that the chisel is securely held in place by turning it slightly.

Depth gauge

The depth gauge is convenient for drilling holes of uniform depth. Loosen the side grip and insert the depth gauge into the hole on the side grip. Adjust the depth gauge to the desired depth and tighten the side grip firmly.

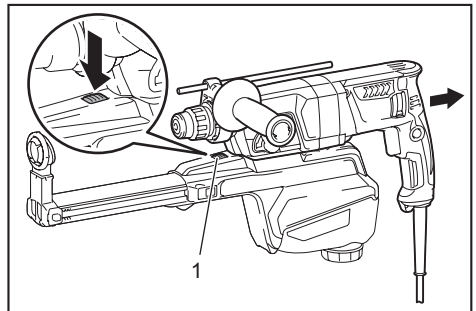


► 1. Hole 2. Depth gauge

NOTE: Make sure that the depth gauge does not touch the main body of the tool when attaching it.

Installing or removing dust collection system

To remove the dust collection system, pull the tool while pressing the lock-off button. To install it, insert the tool into the dust collection system all the way until it locks in place with a little click.



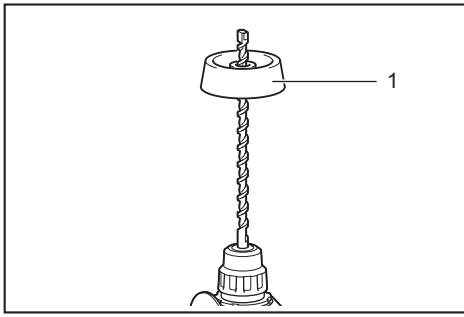
► 1. Lock-off button

Dust cup

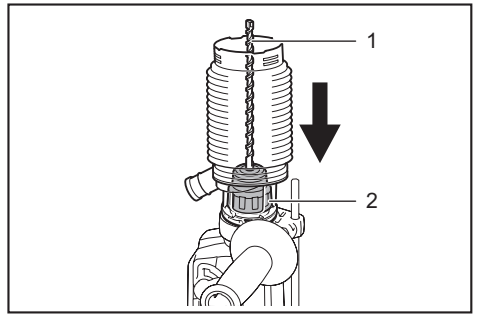
Optional accessory

Use the dust cup to prevent dust from falling over the tool and on yourself when performing overhead drilling operations. Attach the dust cup to the bit as shown in the figure. The size of bits which the dust cup can be attached to is as follows.

Model	Bit diameter
Dust cup 5	6 mm (1/4") - 14.5 mm (9/16")
Dust cup 9	12 mm (15/32") - 16 mm (5/8")



► 1. Dust cup



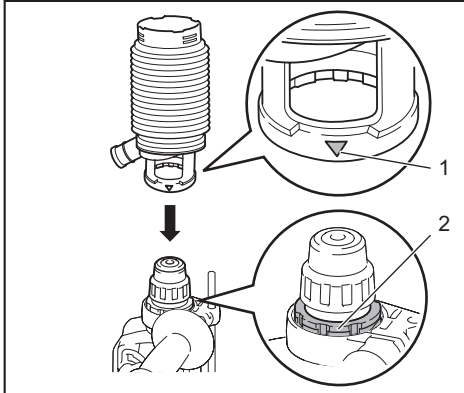
► 1. Bit 2. Chuck cover

Dust cup set

Optional accessory

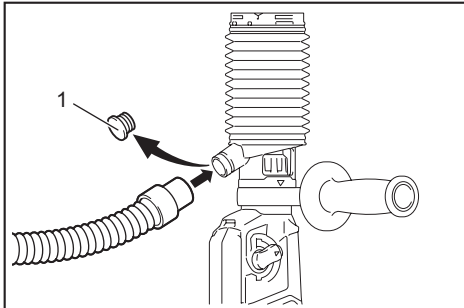
Before installing the dust cup set, remove the bit from the tool if installed.

Install the dust cup set on the tool so that the Δ symbol on the dust cup is aligned with the groove in the tool.



► 1. Δ symbol 2. Groove

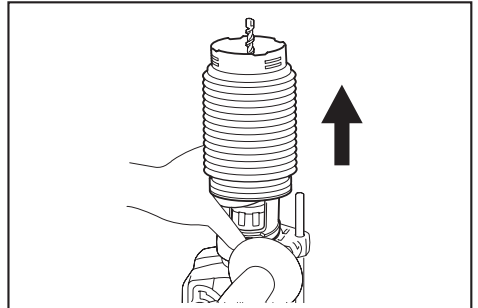
NOTE: If you connect a vacuum cleaner to the dust cup set, remove the dust cap before connecting it.



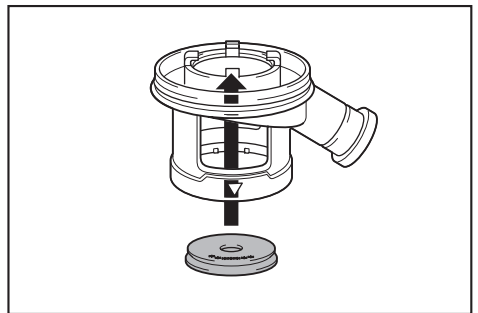
► 1. Dust cap

To remove the dust cup set, remove the bit while pulling the chuck cover in the direction of the arrow.

Hold the root of dust cup and pull it out.



NOTE: If the cap comes off from the dust cup, attach it with its printed side facing up so that groove on the cap fits in the inside periphery of the attachment.



OPERATION

CAUTION: Always use the side grip (auxiliary handle) and firmly hold the tool by both side grip and switch handle during operations.

CAUTION: Always make sure that the work-piece is secured before operation.

CAUTION: The dust collection system is intended for drilling in concrete only. Do not use the dust collection system for drilling in metal or wood.

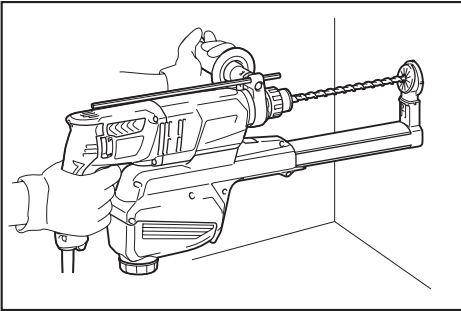
CAUTION: When using the tool with the dust collection system, be sure to attach the filter to the dust collection system to prevent dust inhalation.

CAUTION: Before using the dust collection system, check that the filter is not damaged. Failure to do so may cause dust inhalation.

CAUTION: The dust collection system collects the generated dust at a considerable rate, but not all dust can be collected.


NOTICE: Do not use the dust collection system for core drilling or chiseling.

NOTICE: Do not use the dust collection system for drilling in wet concrete or use this system in wet environment. Failure to do so may cause malfunction.



Hammer drilling operation


CAUTION: There is tremendous and sudden twisting force exerted on the tool/drill bit at the time of hole break-through, when the hole becomes clogged with chips and particles, or when striking reinforcing rods embedded in the concrete. **Always use the side grip (auxiliary handle) and firmly hold the tool by both side grip and switch handle during operations.** Failure to do so may result in the loss of control of the tool and potentially severe injury.

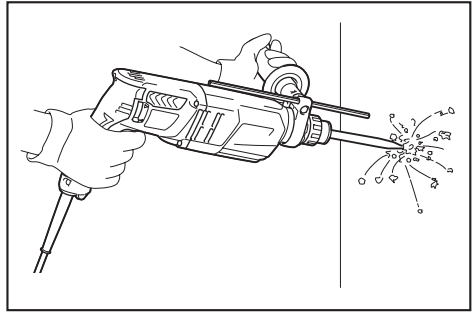
Set the action mode changing knob to the  symbol. Position the drill bit at the desired location for the hole, then pull the switch trigger. Do not force the tool. Light pressure gives best results. Keep the tool in position and prevent it from slipping away from the hole.

Do not apply more pressure when the hole becomes clogged with chips or particles. Instead, run the tool at an idle, then remove the drill bit partially from the hole. By repeating this several times, the hole will be cleaned out and normal drilling may be resumed.

NOTE: Eccentricity in the drill bit rotation may occur while operating the tool with no load. The tool automatically centers itself during operation. This does not affect the drilling precision.

Chipping/Scaling/Demolition

Set the action mode changing knob to the  symbol. Hold the tool firmly with both hands. Turn the tool on and apply slight pressure on the tool so that the tool will not bounce around, uncontrolled. Pressing very hard on the tool will not increase the efficiency.



Drilling in wood or metal

CAUTION: Hold the tool firmly and exert care when the drill bit begins to break through the workpiece. There is a tremendous force exerted on the tool/drill bit at the time of hole break through.

CAUTION: A stuck drill bit can be removed simply by setting the reversing switch to reverse rotation in order to back out. However, the tool may back out abruptly if you do not hold it firmly.

CAUTION: Always secure workpieces in a vise or similar hold-down device.

NOTICE: Never use “rotation with hammering” when the drill chuck is installed on the tool. The drill chuck may be damaged.

Also, the drill chuck will come off when reversing the tool.

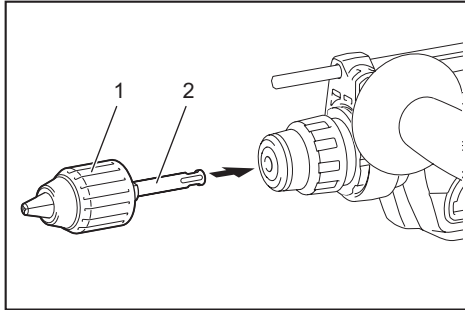
NOTICE: Pressing excessively on the tool will not speed up the drilling. In fact, this excessive pressure will only serve to damage the tip of your drill bit, decrease the tool performance and shorten the service life of the tool.

Set the action mode changing knob to the  symbol.

For HR2652/HR2653/HR2663

Optional accessory

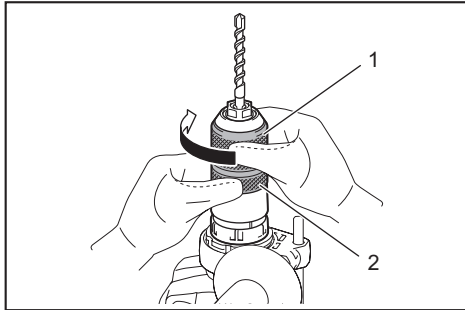
Attach the chuck adapter to a keyless drill chuck to which 1/2"-20 size screw can be installed, and then install them to the tool. When installing it, refer to the section "Installing or removing drill bit".



► 1. Keyless drill chuck 2. Chuck adapter

For HR2653T

Use the quick change drill chuck as standard equipment. When installing it, refer to "changing the quick change chuck for SDS-plus". Hold the ring and turn the sleeve counterclockwise to open the chuck jaws. Place the bit in the chuck as far as it will go. Hold the ring firmly and turn the sleeve clockwise to tighten the chuck.

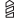


► 1. Sleeve 2. Ring

To remove the bit, hold the ring and turn the sleeve counterclockwise.

Diamond core drilling

NOTICE: If performing diamond core drilling operations using "rotation with hammering" action, the diamond core bit may be damaged.

When performing diamond core drilling operations, always set the change lever to the  position to use "rotation only" action.

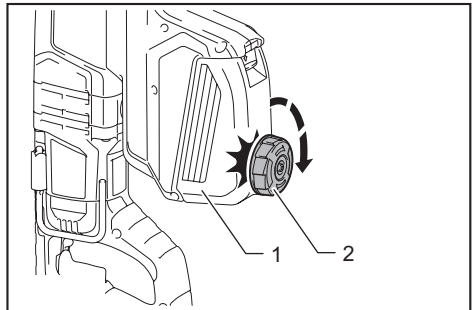
Beating dust on the filter

CAUTION: Do not turn the dial on the dust case while the dust case is removed from the dust collection system. Doing so may cause dust inhalation.

CAUTION: Always switch off the tool when turning the dial on the dust case. Turning the dial while the tool is running may result in the loss of control of the tool.

By beating the dust on the filter inside the dust case, you can keep the vacuum efficiency and also reduce the number of times to dispose of the dust. Turn the dial on the dust case three times after collecting every 50,000 mm³ of dust or when you feel the vacuum performance declined.

NOTE: 50,000 mm³ of dust equivalents to drilling 10 holes of \varnothing 10 mm and 65 mm depth (14 holes of \varnothing 3/8" and 2" depth).



► 1. Dust case 2. Dial

Disposing of dust

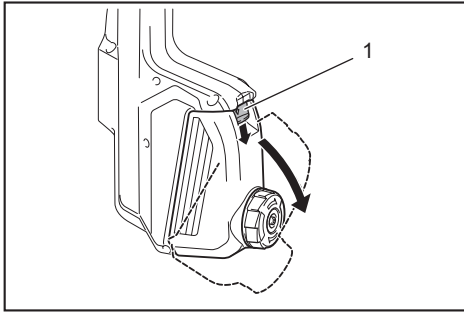
CAUTION: Always be sure that the tool is switched off and unplugged before carrying out any work on the tool.

CAUTION: Be sure to wear dust mask when disposing of dust.

CAUTION: Empty the dust case regularly before the dust case becomes full. Failure to do so may decrease the dust collection performance and cause dust inhalation.

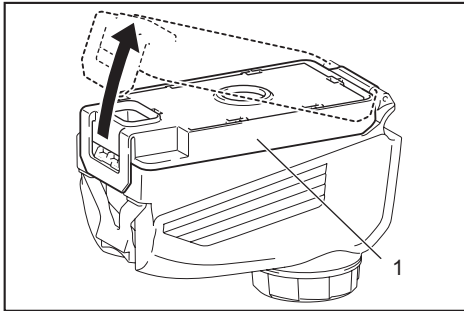
CAUTION: The performance of dust collection decreases if the filter in the dust case become clogged. Replace the filter with new one after approximately 200 times of dust fulfillment as a guide. Failure to do so may cause dust inhalation.

1. Remove the dust case while pressing down the lever of the dust case.



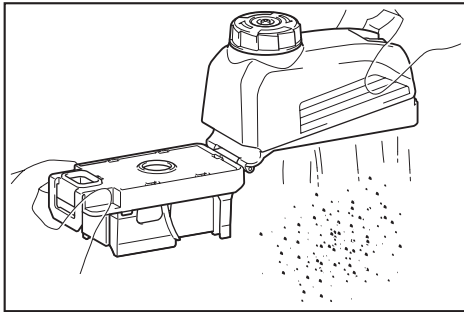
- 1. Lever

2. Open the cover of the dust case.



- 1. Cover

3. Dispose of the dust, and then clean the filter.

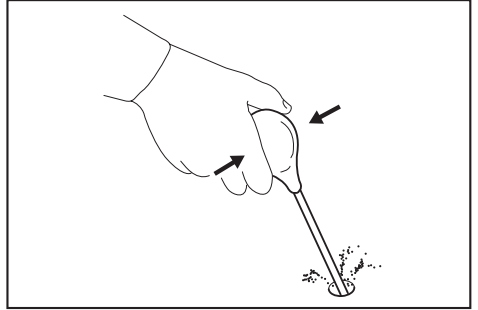


NOTICE: When cleaning the filter, do not touch the filter with brush or similar, or blow compressed air on the filter. It may damage the filter.

Blow-out bulb

Optional accessory

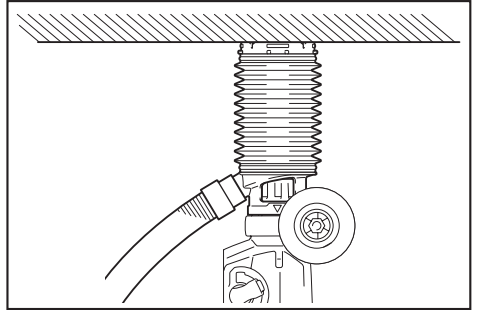
After drilling the hole, use the blow-out bulb to clean the dust out of the hole.



Using dust cup set

Optional accessory

Fit the dust cup set against the ceiling when operating the tool.



NOTICE: Do not use the dust cup set when drilling in metal or similar. It may damage the dust cup set due to the heat produced by small metal dust or similar.

NOTICE: Do not install or remove the dust cup set with the drill bit installed in the tool. It may damage the dust cup set and cause dust leak.

MAINTENANCE

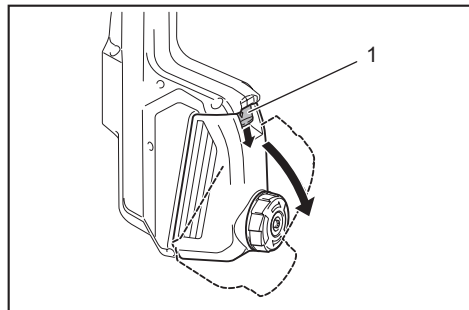
CAUTION: Always be sure that the tool is switched off and unplugged before attempting to perform inspection or maintenance.

NOTICE: Never use gasoline, benzine, thinner, alcohol or the like. Discoloration, deformation or cracks may result.

To maintain product SAFETY and RELIABILITY, repairs, any other maintenance or adjustment should be performed by Makita Authorized or Factory Service Centers, always using Makita replacement parts.

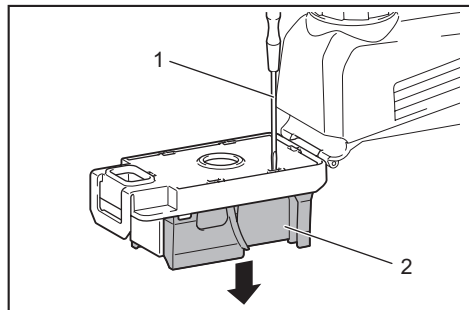
Replacing filter of dust case

1. Remove the dust case while pressing down the lever of the dust case.



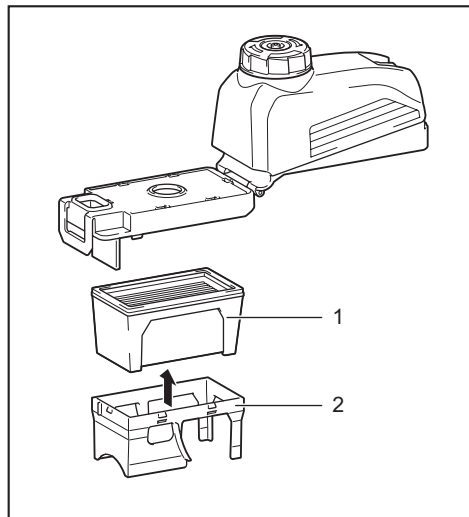
- 1. Lever

2. Insert the flat-blade screwdriver into the slots of the filter cover to remove the filter case and filter.



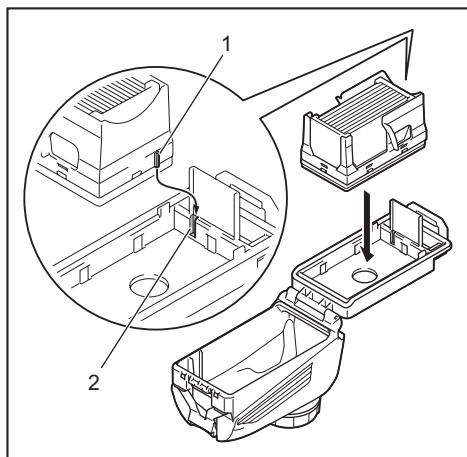
- 1. Flat-blade screwdriver 2. Filter case

3. Remove the filter from the filter case.



- 1. Filter 2. Filter case

4. Attach a new filter to the filter case, and then attach them to the dust case aligning the protrusion on the filter case with the groove on the dust case.

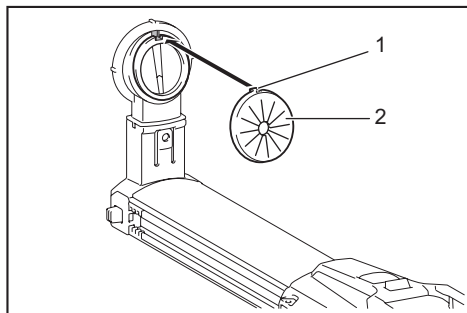


- 1. Protrusion 2. Groove

5. Close the cover of the dust case, and then attach it to the tool.

Replacing sealing cap

If the sealing cap is worn out, the performance of the dust collection decreases. Replace it if it's worn out. Remove the sealing cap, and then attach a new one with its protrusion facing upward.



- 1. Protrusion 2. Sealing cap

OPTIONAL ACCESSORIES

⚠ CAUTION: These accessories or attachments are recommended for use with your Makita tool specified in this manual. The use of any other accessories or attachments might present a risk of injury to persons. Only use accessory or attachment for its stated purpose.

If you need any assistance for more details regarding these accessories, ask your local Makita Service Center.

- Carbide-tipped drill bits (SDS-Plus carbide-tipped bits)
- Core bit
- Bull point
- Diamond core bit
- Cold chisel
- Scaling chisel
- Grooving chisel
- Chuck adapter
- Keyless drill chuck
- Bit grease
- Depth gauge
- Blow-out bulb
- Dust cup
- Dust cup set
- Safety goggles
- Plastic carrying case

NOTE: Some items in the list may be included in the tool package as standard accessories. They may differ from country to country.

MAKITA LIMITED WARRANTY

Please refer to the annexed warranty sheet for the most current warranty terms applicable to this product. If annexed warranty sheet is not available, refer to the warranty details set forth at below website for your respective country.

United States of America: www.makitatools.com

Canada: www.makita.ca

Other countries: www.makita.com

SPÉCIFICATIONS

Modèle :		HR2652	HR2653	HR2653T	HR2663
Capacités	Béton	26 mm (1")			
	Trépan	68 mm (2-11/16")			
	Trépan diamanté (type sec)	80 mm (3-1/8")			
	Acier	13 mm (1/2")			
	Bois	32 mm (1-1/4")			
Vitesse à vide		0 - 1 200/min			0 - 1 100/min
Frappes par minute		0 - 4 600/min			0 - 4 500/min
Longueur totale		604 mm (23-3/4")		630 mm (24-3/4")	666 mm (26-1/4")
Poids net		3,0 - 4,3 kg (6,7 - 9,4 lbs)	3,1 - 4,3 kg (6,9 - 9,6 lbs)	3,2 - 4,5 kg (7,2 - 9,9 lbs)	3,3 - 4,6 kg (7,3 - 10,0 lbs)
Classe de sécurité		□/II			

- Étant donné l'évolution constante de notre programme de recherche et de développement, les spécifications contenues dans ce manuel sont sujettes à modification sans préavis.
- Les spécifications peuvent varier suivant les pays.
- Le poids peut varier suivant les accessoires. La plus légère et la plus lourde des combinaisons, selon la procédure EPTA 01/2014, sont indiquées dans le tableau.

CONSIGNES DE SÉCURITÉ

Consignes de sécurité générales pour outils électriques

⚠ MISE EN GARDE : Veuillez lire toutes les mises en garde, instructions, illustrations et spécifications qui accompagnent cet outil électrique. Ne pas suivre toutes les instructions de la liste ci-dessous peut entraîner une décharge électrique, un incendie et/ou une grave blessure.

Conservez toutes les mises en garde et instructions pour référence future.

Le terme « outil électrique » qui figure dans les avertissements fait référence à un outil électrique branché sur une prise de courant (par un cordon d'alimentation) ou alimenté par batterie (sans fil).

Sécurité de la zone de travail

1. **Maintenez la zone de travail propre et bien éclairée.** Les zones de travail encombrées ou sombres ouvrent toute grande la porte aux accidents.
2. **N'utilisez pas les outils électriques dans les atmosphères explosives, telles que celles où sont présents des liquides, gaz ou poussières inflammables.** Les outils électriques génèrent des étincelles qui peuvent allumer les poussières ou les vapeurs.
3. **Gardez les enfants et personnes présentes à l'écart pendant l'utilisation d'un outil électrique.** Toute distraction peut vous faire perdre la maîtrise de l'outil.

Sécurité en matière d'électricité

1. **Les fiches d'outil électrique doivent correspondre à la prise de courant. Ne modifiez jamais la fiche, de quelque façon que ce soit. N'utilisez aucune fiche d'adaptation avec les outils électriques mis à la terre (à la masse).** Les fiches non modifiées et les prises de courant correspondantes réduisent le risque de décharge électrique.
2. **Évitez tout contact avec les surfaces mises à la terre ou à la masse, telles que celles des tuyaux, radiateurs, cuisinières et réfrigérateurs.** Le risque de décharge électrique augmente si votre corps est mis à la terre ou à la masse.
3. **N'exposez pas les outils électriques à la pluie ou à des surfaces mouillées.** La pénétration d'eau dans un outil électrique augmente le risque de décharge électrique.
4. **Ne maltraitez pas le cordon. N'utilisez jamais le cordon pour transporter, tirer sur ou débrancher l'outil électrique. Gardez le cordon à l'écart de la chaleur, de l'huile, des bords tranchants ou des pièces en mouvement.** Les cordons endommagés ou enchevêtrés augmentent le risque de décharge électrique.
5. **Lorsque vous utilisez un outil électrique à l'extérieur, faites-le avec un cordon prolongateur conçu pour l'usage extérieur.** Utiliser un cordon conçu pour l'usage extérieur réduit le risque de décharge électrique.
6. **Si l'utilisation d'un outil électrique dans un emplacement humide est inévitable, utilisez une source d'alimentation protégée par un disjoncteur différentiel de fuite à la terre (DDFT).** Utiliser un DDFT réduit le risque de décharge électrique.
7. **Les outils électriques peuvent produire des champs électromagnétiques (CEM) qui ne sont pas préjudiciables à l'utilisateur.** Les utilisateurs de stimulateur cardiaque ou autres appareils médicaux similaires doivent toutefois demander conseil au fabricant et/ou à leur médecin avant d'utiliser cet outil électrique.

8. **Ne touchez pas la fiche d'alimentation avec les mains mouillées.**
9. **Si le cordon est endommagé, faites-le remplacer par le fabricant ou son représentant, pour éviter les risques d'accident.**

Sécurité personnelle

1. **Restez vigilant, attentif à vos gestes et faites preuve de bon sens pendant l'utilisation d'un outil électrique. N'utilisez pas un outil électrique lorsque vous êtes fatigué ou sous l'influence d'une drogue, de l'alcool ou d'un médicament.** Tout moment d'inattention pendant l'utilisation des outils électriques peut entraîner une grave blessure.
2. **Utilisez l'équipement de protection individuel. Portez toujours un protecteur pour la vue.** Utilisé dans les conditions adéquates, l'équipement de protection - masque antipoussière, chaussures de sécurité antidérapantes, casque de protection ou protecteur auditif - réduit le risque de blessures.
3. **Évitez le démarrage accidentel. Assurez-vous que l'interrupteur est sur la position d'arrêt avant de connecter la source d'alimentation et/ou la batterie, de saisir l'outil ou de le transporter.** Transporter les outils électriques avec le doigt sur l'interrupteur, ou les connecter à une source d'alimentation alors que l'interrupteur est en position de marche ouvre toute grande la porte aux accidents.
4. **Retirez toute clé de serrage ou de réglage avant de mettre l'outil électrique en marche.** Une clé laissée en place sur une pièce rotative de l'outil électrique peut entraîner une blessure.
5. **Ne vous étirez pas trop. Assurez-vous d'une bonne prise au sol et d'une bonne position d'équilibre en tout temps.** Cela procure une meilleure maîtrise de l'outil électrique dans les situations imprévues.
6. **Portez des vêtements adéquats. Ne portez ni vêtements amples ni bijoux. Gardez vos cheveux, vêtements et gants à l'écart des pièces en mouvement.** Les vêtements amples, bijoux ou cheveux longs peuvent être happés par les pièces en mouvement.
7. **Si des accessoires sont fournis pour raccorder un appareil d'aspiration et de collecte des poussières, assurez-vous qu'ils sont correctement raccordés et qu'ils sont utilisés de manière adéquate.** L'utilisation d'un appareil de collecte des poussières permet de réduire les risques liés à la présence de poussières dans l'air.
8. **Ne vous laissez pas abuser, au point d'être sûr de vous et d'ignorer les principes de sécurité, par un sentiment de familiarité acquis par l'utilisation fréquente des outils électriques.** Un geste irréfléchi peut entraîner une grave blessure en une fraction de seconde.
9. **Portez toujours des lunettes à coques de protection pour protéger vos yeux contre les blessures lors de l'utilisation d'outils électriques. Les lunettes à coques doivent être conformes à ANSI Z87.1 aux États-Unis.** L'employeur a la responsabilité d'imposer l'utilisation d'équipements de protection de sécurité adéquats aux utilisateurs des outils électriques et à toute autre personne se trouvant dans la zone de travail immédiate.

Utilisation et entretien des outils électriques

1. **Ne forcez pas l'outil électrique. Utilisez l'outil électrique qui convient à votre application.** Si vous utilisez l'outil électrique adéquat et respectez le régime pour lequel il a été conçu, il effectuera un travail de meilleure qualité et plus sécuritaire.
2. **N'utilisez pas l'outil électrique s'il n'est pas possible de l'allumer et de l'éteindre avec son interrupteur.** Tout outil électrique dont l'interrupteur est défectueux représente un danger et doit être réparé.
3. **Débranchez la fiche de la source d'alimentation et/ou retirez la BATTERIE de l'outil électrique, si elle est amovible, avant d'effectuer tout réglage, de remplacer les accessoires ou de ranger les outils électriques.** De telles mesures de sécurité préventives réduisent le risque de démarrage accidentel de l'outil électrique.
4. **Mettez les outils électriques sous tension hors de la portée des enfants et ne laissez aucune personne les utiliser si elle n'est pas familiarisée avec l'outil électrique ou avec les présentes instructions d'utilisation.** Les outils électriques représentent un danger entre les mains de personnes qui n'en connaissent pas le mode d'utilisation.
5. **Veillez à l'entretien des outils électriques et des accessoires. Assurez-vous que les pièces mobiles ne sont pas désalignées ou coincées, qu'aucune pièce n'est cassée et que l'outil électrique n'a subi aucun dommage affectant son bon fonctionnement. Si un outil électrique est endommagé, faites-le réparer avant de l'utiliser.** De nombreux accidents sont causés par des outils électriques mal entretenus.
6. **Maintenez les outils tranchants bien aiguisés et propres.** Les outils tranchants dont l'entretien est effectué correctement et dont les bords sont bien aiguisés risquent moins de se coincer et sont plus faciles à maîtriser.
7. **Utilisez l'outil électrique, ses accessoires, ses embouts, etc., en respectant les présentes instructions et en tenant compte des conditions de travail et du type de travail à effectuer.** L'utilisation d'un outil électrique pour d'autres usages que ceux prévus peut entraîner une situation dangereuse.
8. **Gardez les poignées et surfaces de saisie sèches, propres et exemptes d'huile et de graisse.** Les poignées et surfaces de saisie glissantes ne permettent pas la manipulation sécuritaire et une bonne maîtrise de l'outil dans les situations imprévues.
9. **Lors de l'utilisation de l'outil, ne portez pas de gants de travail en tissu qui risquent de s'enchevêtrer dans l'outil.** L'enchevêtrement de gants de travail en tissu dans les pièces en mouvement peut entraîner une blessure.

Réparation

1. **Faites réparer votre outil électrique par un réparateur qualifié qui utilise des pièces de rechange identiques aux pièces d'origine.** Le maintien de la sûreté de l'outil électrique sera ainsi assuré.
2. **Suivez les instructions de lubrification et de remplacement des accessoires.**

Pour réduire le risque de décharge électrique, cet équipement est doté d'une fiche polarisée (une des lames est plus large que l'autre). Cette fiche ne s'insère que dans un seul sens dans une prise de courant polarisée. Si la fiche ne pénètre pas à fond dans la prise de courant, insérez-la dans l'autre sens. Si elle ne s'insère toujours pas à fond, contactez un électricien qualifié pour faire installer une prise de courant adéquate. Ne modifiez la fiche d'aucune façon.

MISE EN GARDE SUR LA TENSION : Avant de brancher l'outil sur une source d'alimentation (prise murale, prise de courant, etc.), assurez-vous que la tension fournie est la même que celle spécifiée sur la plaque signalétique de l'outil. Une source d'alimentation dont la tension est supérieure à celle spécifiée pour l'outil peut entraîner une GRAVE BLESSURE pour l'utilisateur, ainsi qu'endommager l'outil. En cas de doute, NE BRANCHEZ PAS L'OUTIL. L'utilisation d'une source

d'alimentation dont la tension est inférieure à celle indiquée sur la plaque signalétique endommagera le moteur.

UTILISEZ UN CORDON PROLONGATEUR APPROPRIÉ. Assurez-vous que votre cordon prolongateur est en bonne condition. Lorsque vous utilisez un cordon prolongateur, assurez-vous qu'il est assez robuste pour transporter le courant exigé par le produit. Un cordon trop petit entraînera une baisse dans la tension composée, ce qui causera une perte d'énergie et une surchauffe. Le tableau 1 indique la dimension de cordon à utiliser, en fonction de la longueur du cordon et de l'intensité nominale figurant sur la plaque signalétique. En cas de doute, utilisez un calibre plus robuste. Plus le numéro de calibre est bas, plus le cordon est robuste.

Tableau 1 : Calibre minimum du cordon

Intensité nominale		Volts	Longueur totale du cordon en pieds			
		120 V	25 ft.	50 ft.	100 ft.	150 ft.
		220 V - 240 V	50 ft.	100 ft.	200 ft.	300 ft.
Plus de	Pas plus de	Calibre américain des fils				
0 A	6 A	-	18	16	16	14
6 A	10 A		18	16	14	12
10 A	12 A		16	16	14	12
12 A	16 A		14	12	Non recommandé	

CONSIGNES DE SÉCURITÉ POUR MARTEAU PERFORATEUR

- Portez des protections d'oreilles.** L'exposition au bruit peut entraîner des lésions de l'ouïe.
- Utilisez la ou les poignées auxiliaires si elles sont fournies avec l'outil.** Toute perte de maîtrise comporte un risque de blessure.
- Tenez l'outil électrique par ses surfaces de prise isolées pendant toute opération où l'accessoire de coupe pourrait venir en contact avec un câblage dissimulé ou avec son propre cordon.** En cas de contact de l'accessoire de coupe avec un conducteur sous tension, les pièces métalliques à découvert de l'outil peuvent devenir sous tension et transmettre un choc électrique à l'utilisateur.
- Portez une coiffure rigide (un casque de sécurité), des lunettes de sécurité et/ou un écran facial.** Les lunettes ordinaires et les lunettes de soleil NE sont PAS des lunettes de sécurité. Il est aussi vivement recommandé de porter un masque anti-poussières et des gants à rembourrage épais.
- Avant l'utilisation, assurez-vous que l'embout est bien fixé en place.**
- Dans des conditions normales d'utilisation, l'outil est conçu pour produire des vibrations.** Les vis peuvent se desserrer facilement et causer une panne ou un accident. Avant l'utilisation, vérifiez soigneusement le serrage des vis.
- Par temps froid ou lorsque l'outil est resté inutilisé pendant une longue période, faites-le réchauffer pendant un moment en le faisant tourner à vide.** Cela réchauffera le lubrifiant. Sans un réchauffement adéquat, le martelage s'effectue difficilement.



- Pensez toujours à prendre pied solidement.** Assurez-vous qu'il n'y a personne plus bas lorsque vous utilisez l'outil en position élevée.
- Tenez l'outil fermement à deux mains.**
- Gardez les mains éloignées des pièces en mouvement.**
- Ne quittez pas l'outil pendant qu'il tourne.** N'utilisez l'outil qu'une fois que vous l'avez bien en main.
- Ne pointez l'outil vers personne autour de vous pendant l'utilisation.** L'embout pourrait être éjecté et blesser quelqu'un grièvement.
- Ne touchez pas l'embout, ni les pièces situées près de l'embout, ni la pièce immédiatement après l'utilisation ; ils peuvent être extrêmement chauds et brûler votre peau.**
- Certains matériaux contiennent des produits chimiques qui peuvent être toxiques.** Prenez les précautions nécessaires pour éviter l'inhalation de ces poussières ou leur contact avec la peau. Conformez-vous aux consignes de sécurité du fournisseur du matériau.
- Ne touchez pas la fiche d'alimentation avec les mains mouillées.**

CONSERVEZ CES INSTRUCTIONS.

▲ MISE EN GARDE : NE vous laissez PAS tromper (au fil d'une utilisation répétée) par un sentiment d'aisance ou de familiarité avec le produit en négligeant les consignes de sécurité qui accompagnent le produit. UNE UTILISATION INCORRECTE ou le non-respect des règles de sécurité énoncées dans le présent manuel d'instructions peut provoquer des blessures graves.

Symboles

Les symboles utilisés pour l'outil sont indiqués ci-dessous.

V	volts
A	ampères
Hz	hertz
~	courant alternatif
n_0	vitesse à vide
	construction, catégorie II
... /min r /min	tours ou alternances par minute
	nombre de frappes

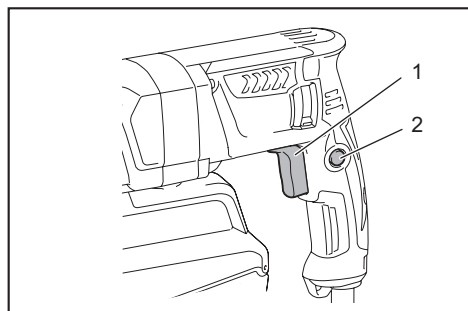
DESCRIPTION DU FONCTIONNEMENT

ATTENTION : Assurez-vous toujours que l'outil est hors tension et débranché avant de l'ajuster ou de vérifier son fonctionnement.

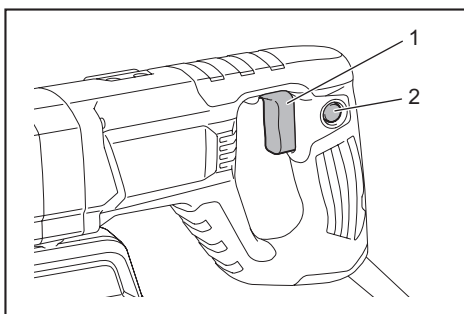
Interrupteur

ATTENTION : Avant de brancher l'outil, assurez-vous toujours que la gâchette fonctionne correctement et revient en position d'arrêt une fois relâchée.

ATTENTION : L'interrupteur peut être verrouillé sur la position de « marche » pour un plus grand confort de l'utilisateur, lors d'une utilisation prolongée. Soyez prudent lorsque vous verrouillez l'outil sur la position de « marche », et maintenez une prise ferme sur l'outil.



► 1. Gâchette 2. Bouton de sécurité



► 1. Gâchette 2. Bouton de verrouillage



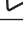
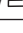
Pour démarrer l'outil, appuyez simplement sur la gâchette. La vitesse de l'outil augmente à mesure que l'on accroît la pression sur la gâchette. Pour arrêter, libérez la gâchette.

Pour un fonctionnement continu, appuyez sur la gâchette, enfoncez le bouton de sécurité, puis libérez la gâchette. Pour arrêter l'outil depuis la position verrouillée, enfoncez complètement la gâchette puis libérez-la.

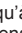

Fonctionnement de l'inverseur

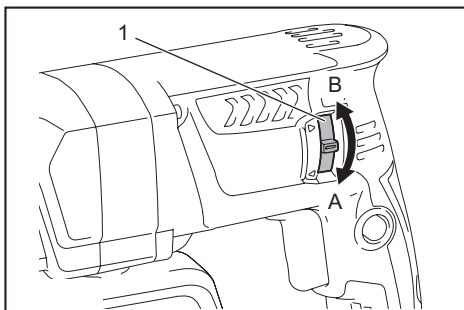
ATTENTION : Vérifiez toujours le sens de rotation avant de mettre l'outil en marche.

AVIS : N'actionnez l'inverseur qu'une fois l'outil complètement arrêté. Si vous changez le sens de rotation avant l'arrêt de l'outil, vous risquez de l'endommager.

AVIS : S'il n'est pas possible d'enfoncer la gâchette, assurez-vous que l'inverseur se trouve parfaitement sur la position  /  (côté A) ou  /  (côté B).

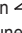

Pour HR2652/HR2653/HR2653T

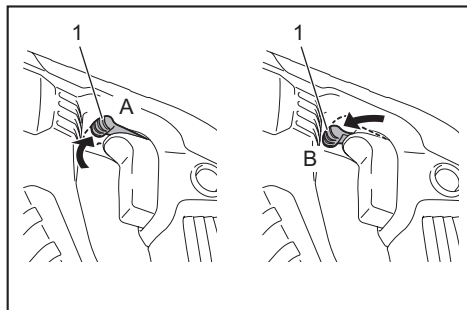
Cet outil possède un inverseur qui permet de changer le sens de la rotation. Déplacez le levier de l'inverseur jusqu'à la position  (côté A) pour une rotation dans le sens des aiguilles d'une montre, ou jusqu'à la position  (côté B) pour une rotation dans le sens contraire des aiguilles d'une montre.



► 1. Levier de l'inverseur

Pour HR2663

Cet outil possède un inverseur qui permet de changer le sens de la rotation. Déplacez le levier de l'inverseur jusqu'à la position  (côté A) pour une rotation dans le sens des aiguilles d'une montre, ou jusqu'à la position  (côté B) pour une rotation dans le sens contraire des aiguilles d'une montre.



► 1. Levier de l'inverseur

NOTE : Lorsque vous utilisez l'outil en rotation dans le sens contraire des aiguilles d'une montre, la gâchette ne s'enfonçe qu'à mi-course et l'outil tourne à demi-vitesse. Pour la rotation dans le sens contraire des aiguilles d'une montre, il n'est pas possible d'enfoncer le bouton de verrouillage.

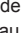

Remplacement du mandrin à changement rapide pour SDS-plus

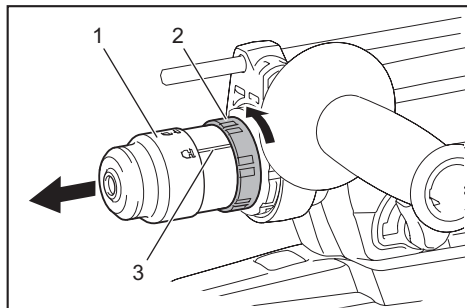
Pour HR2653T

Le mandrin à changement rapide pour SDS-plus peut être facilement remplacé par le mandrin de perceuse à changement rapide.

Retrait du mandrin à changement rapide pour SDS-plus


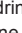

ATTENTION : Avant de retirer le mandrin à changement rapide pour SDS-plus, veuillez à retirer l'embout.

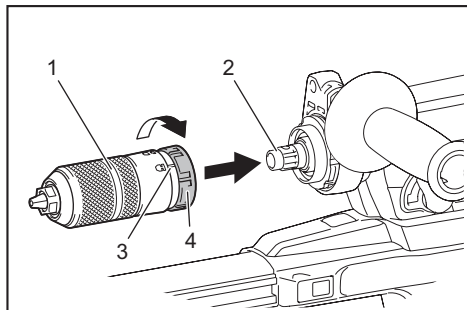
Saisissez le couvercle de changement du mandrin à changement rapide pour SDS-plus, et tournez-le dans le sens de la flèche jusqu'à ce que la ligne de couvercle de changement se déplace du symbole  au symbole . Tirez fermement dans le sens de la flèche.



► 1. Mandrin à changement rapide pour SDS-plus 2. Couvercle de changement 3. Ligne de couvercle de changement

Pose du mandrin de perceuse à changement rapide

Vérifiez que la ligne du mandrin de perceuse à changement rapide indique le symbole . Saisissez le couvercle de changement du mandrin de perceuse à changement rapide et mettez la ligne sur le symbole . Placez le mandrin de perceuse à changement rapide sur l'axe de l'outil. Saisissez le couvercle de changement du mandrin de perceuse à changement rapide, et tournez la ligne de couvercle de changement vers le symbole  jusqu'à ce qu'un bruit de dé clic soit émis de manière nettement audible.




► 1. Mandrin de perceuse à changement rapide
2. Axe 3. Ligne de couvercle de changement
4. Couvercle de changement

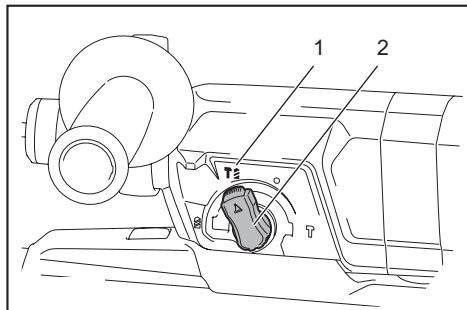
Sélection du mode de fonctionnement

AVIS : Ne tournez pas le bouton de changement de mode pendant que l'outil tourne. L'outil serait endommagé.

AVIS : Pour éviter que le mécanisme de changement de mode ne s'use rapidement, vous devez toujours vous assurer que le bouton de changement de mode est placé avec exactitude sur une des trois positions de mode.


Rotation avec percussion

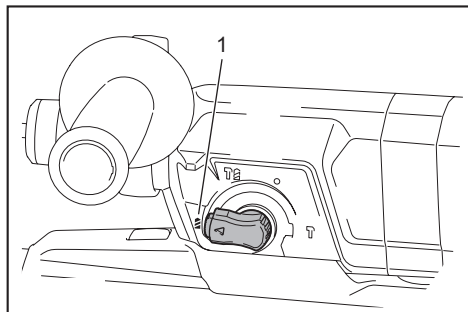
Pour percer dans le béton, la maçonnerie, etc., tournez le bouton de changement de mode jusqu'au symbole . Utilisez un embout à pointe de carbure de tungstène (accessoire en option).



► 1. Rotation avec percussion 2. Bouton de changement de mode


Rotation uniquement

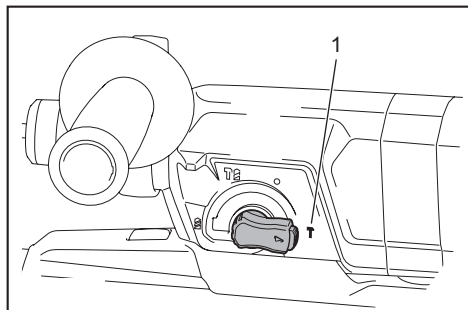
Pour percer dans le bois, le métal ou le plastique, tournez le bouton de changement de mode jusqu'au symbole . Utilisez un embout-mèche hélicoïdal ou un embout-mèche à bois.



► 1. Rotation uniquement

Percussion uniquement

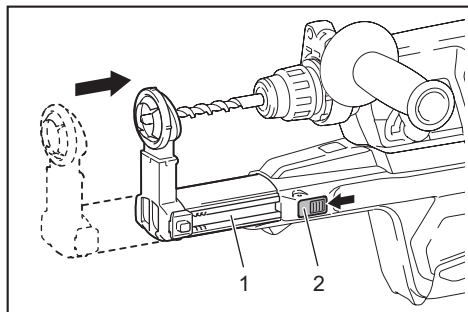
Pour le burinage, l'écaillage ou la démolition, tournez le bouton de changement de mode jusqu'au symbole . Utilisez un pic, un ciseau à froid, un ciseau à écailler, etc.



► 1. Percussion uniquement

Réglage de la position de la buse

Enfoncez le guide tout en appuyant sur le bouton de réglage du guide, puis libérez le bouton à la position désirée.

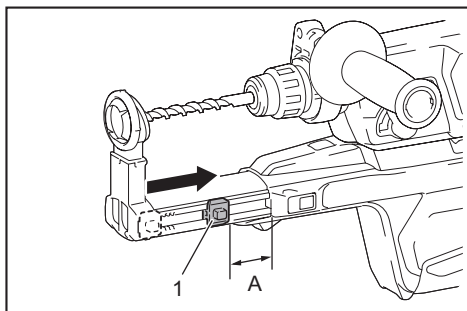


► 1. Guide 2. Bouton de réglage du guide

NOTE : Avant de régler la position de la buse, libérez la buse complètement vers l'avant en appuyant sur le bouton de réglage du guide.

Réglage de la profondeur de perçage

Glissez le bouton de réglage de la profondeur sur la position désirée tout en appuyant dessus. La distance (A) correspond à la profondeur de perçage.



► 1. Bouton de réglage de la profondeur

Limiteur de couple

AVIS : Mettez l'outil hors tension dès que le limiteur de couple se déclenche. Cela aidera à éviter l'usure trop rapide de l'outil.

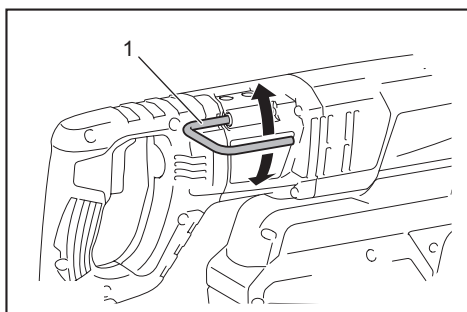
AVIS : Cet outil n'est pas conçu pour l'utilisation des embouts-mèches de type scie cloche, car ils ont tendance à se coincer facilement dans le trou pendant le perçage. Cela cause donc le déclenchement trop fréquent du limiteur de couple.

Le limiteur de couple s'active lorsqu'un certain niveau de couple est atteint. L'embrayage se met alors à patiner. Dès que cela se produit, l'embout-mèche arrête de tourner.

Crochet

ATTENTION : N'accrochez jamais l'outil dans un emplacement élevé ou sur une surface potentiellement instable.

Pour HR2663



► 1. Crochet

Le crochet est pratique pour accrocher l'outil temporairement.
Pour utiliser le crochet, soulevez-le simplement jusqu'à ce qu'il se mette en position ouverte avec un bruit sec. Lorsque vous n'utilisez pas le crochet, abaissez-le toujours jusqu'à ce qu'il se mette en position fermée avec un bruit sec.

ASSEMBLAGE

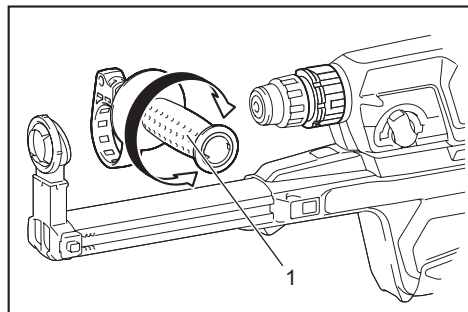
⚠ ATTENTION : Avant d'effectuer toute intervention sur l'outil, assurez-vous toujours qu'il est hors tension et débranché.

Poignée latérale (poignée auxiliaire)

⚠ ATTENTION : Utilisez toujours la poignée latérale pour assurer l'utilisation sécuritaire.

⚠ ATTENTION : Après avoir posé ou ajusté la poignée latérale, assurez-vous que la poignée latérale est fermement fixée.

Installez la poignée latérale de sorte que les rainures de la poignée épousent les parties saillantes du barillet de l'outil. Tournez la poignée dans le sens des aiguilles d'une montre pour la fixer. La poignée peut être fixée sur l'angle désiré.



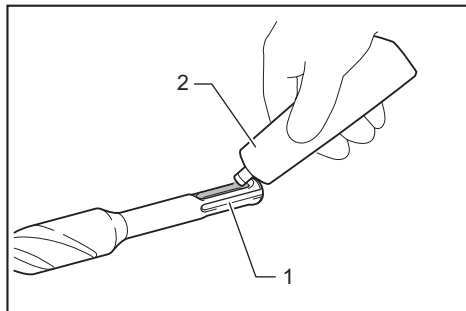
► 1. Poignée latérale

Graisse

Graissez à l'avance la queue de l'embout-mèche avec une petite quantité de graisse (environ 0,5 à 1 g). La lubrification du mandrin assurera un mouvement en douceur et une plus longue durée de service.

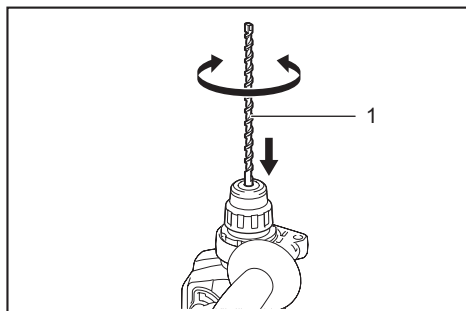
Pose ou retrait de l'embout-mèche

Nettoyez la queue de l'embout-mèche et appliquez de la graisse avant de l'installer.



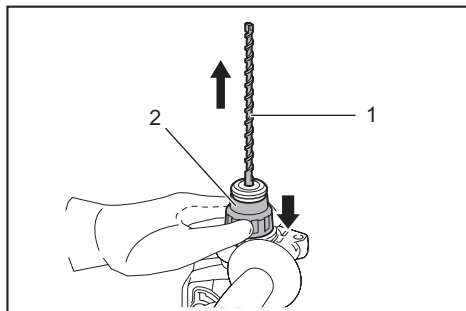
► 1. Queue 2. Graisse

Insérez l'embout-mèche dans l'outil. Tournez l'embout-mèche et enfoncez-le jusqu'à ce qu'il s'engage. Après avoir installé l'embout-mèche, assurez-vous toujours qu'il est fermement fixé en tirant dessus.



► 1. Embout-mèche

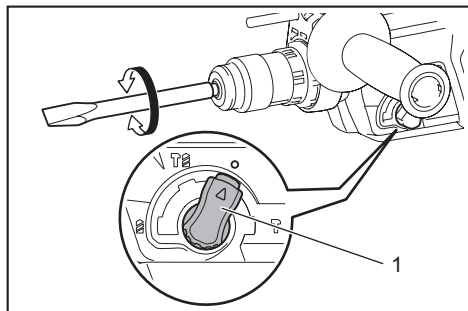
Pour retirer l'embout-mèche, tirez le couvercle du mandrin complètement vers le bas, et tirez sur l'embout-mèche.



► 1. Embout-mèche 2. Couvercle du mandrin

Angle du ciseau (pour le burinage, l'écaillage ou la démolition)

Vous pouvez fixer le ciseau sur l'angle désiré. Pour modifier l'angle du ciseau, tournez le bouton de changement de mode jusqu'au symbole O. Tournez le ciseau jusqu'à l'angle désiré.

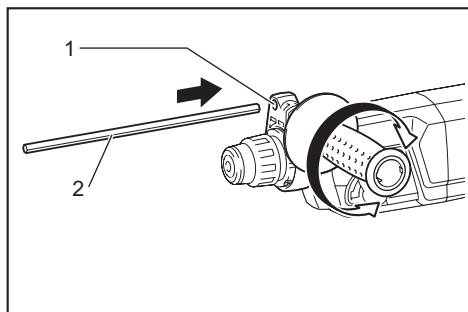


► 1. Bouton de changement de mode

Tournez le bouton de changement de mode jusqu'au symbole ∇ . Assurez-vous ensuite que le ciseau demeure fermement en place, en essayant de le faire tourner légèrement.

Jauge de profondeur

La jauge de profondeur est utile pour percer des trous de même profondeur. Desserrez la poignée latérale et insérez la jauge de profondeur dans le trou de la poignée latérale. Ajustez la jauge de profondeur sur la profondeur désirée et serrez la poignée latérale fermement.

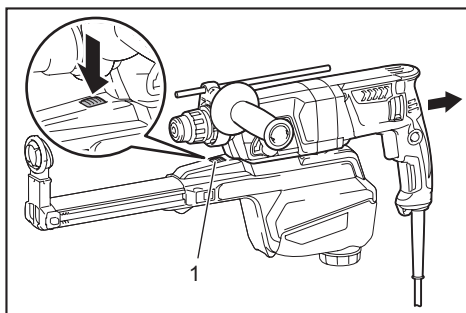


► 1. Trou 2. Jauge de profondeur

NOTE : En fixant la jauge de profondeur, assurez-vous qu'elle ne touche pas le corps principal de l'outil.

Pose ou retrait du dispositif de collecte des poussières

Pour retirer le dispositif de collecte des poussières, tirez sur l'outil tout en appuyant sur le bouton de sécurité. Pour le poser, insérez l'outil à fond dans le dispositif de collecte des poussières, jusqu'à ce qu'il se verrouille avec un léger bruit sec.



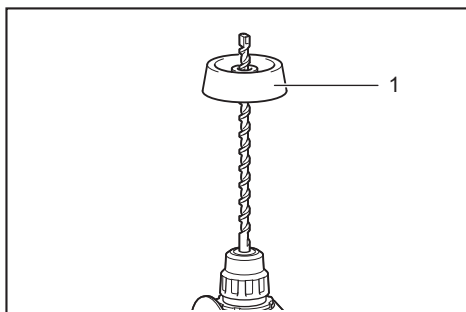
► 1. Bouton de sécurité

Collecteur de poussières

Accessoire en option

Utilisez le collecteur de poussières pour éviter que la poussière ne tombe de l'outil et sur vous-même lorsque vous percez au-dessus de votre tête. Fixez le collecteur de poussières à l'embout tel qu'illustré sur la figure. Le collecteur de poussières peut être fixé aux embouts des dimensions suivantes.

Modèle	Diamètre d'embout
Collecteur de poussières 5	6 mm (1/4") - 14,5 mm (9/16")
Collecteur de poussières 9	12 mm (15/32") - 16 mm (5/8")

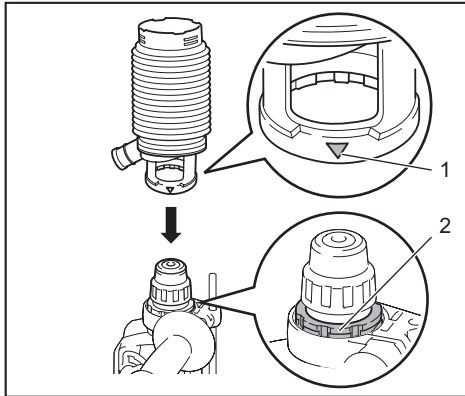


► 1. Collecteur de poussières

Ensemble de collecteur de poussières

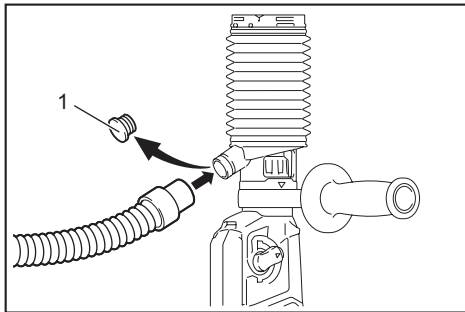
Accessoire en option

Avant d'installer l'ensemble de collecteur de poussières, retirez l'embout de l'outil s'il est installé. Posez l'ensemble de collecteur de poussières sur l'outil de sorte que le symbole Δ du collecteur de poussières soit aligné sur la rainure à l'intérieur de l'outil.



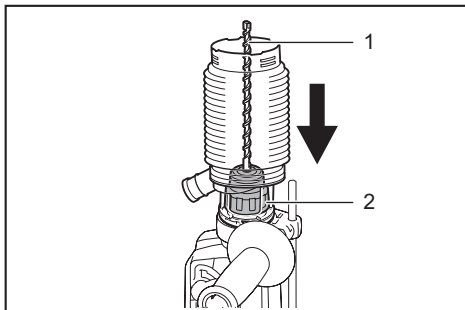
► 1. Δ Symbole 2. Rainure

NOTE : Si vous raccordez un aspirateur à l'ensemble de collecteur de poussières, retirez d'abord le capuchon à poussières.



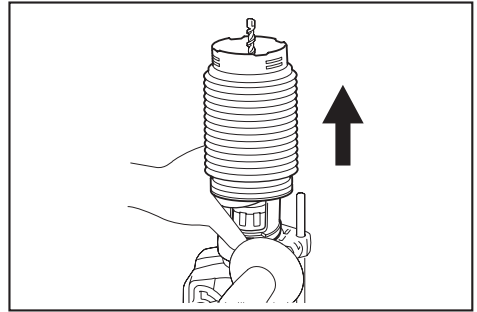
► 1. Capuchon à poussières

Pour retirer l'ensemble de collecteur de poussières, retirez l'embout de l'outil en tirant le couvercle du mandrin dans le sens de la flèche.

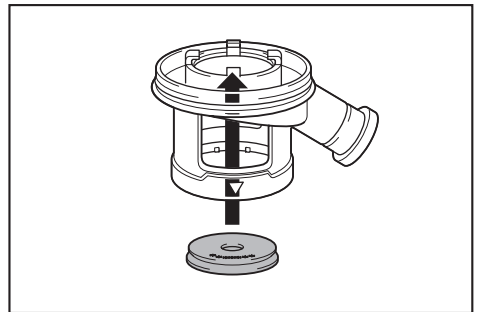


► 1. Embout 2. Couvercle du mandrin

Saisissez le collecteur de poussières par sa base et dégagez-le en tirant.



NOTE : Si le capuchon se détache du collecteur de poussières, fixez-le avec sa face imprimée orientée vers le haut, de sorte que la rainure du capuchon épouse le pourtour intérieur de l'accessoire.



UTILISATION

ATTENTION : En tout temps, utilisez la poignée latérale (poignée auxiliaire) et tenez fermement l'outil par la poignée latérale et la poignée à interrupteur pendant l'exécution des travaux.

ATTENTION : Avant l'utilisation, assurez-vous que la pièce à travailler est fixée.

ATTENTION : Le dispositif de collecte des poussières est conçu uniquement pour le perçage dans le béton. N'utilisez pas le dispositif de collecte des poussières pour percer dans le métal ou le bois.

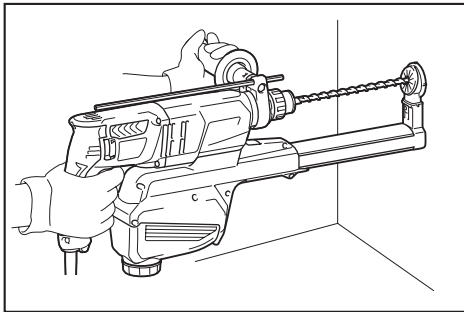
ATTENTION : Lorsque vous utilisez l'outil avec le dispositif de collecte des poussières, veillez à fixer le filtre au dispositif de collecte des poussières pour éviter l'inhalation de poussières.

ATTENTION : Avant d'utiliser le dispositif de collecte des poussières, assurez-vous que le filtre n'est pas endommagé. Autrement, il y a risque d'inhalation de poussières.

ATTENTION : Le dispositif de collecte des poussières collecte en grande partie les poussières générées, mais il ne peut pas toutes les collecter.


AVIS : N'utilisez pas le dispositif de collecte des poussières pour percer avec un trépan ou pour buriner.

AVIS : N'utilisez pas le dispositif de collecte des poussières pour percer dans le béton mouillé, et ne l'utilisez pas dans un environnement humide. Autrement, il y a risque de dysfonctionnement.



Perçage avec percussion

ATTENTION : Une force de torsion énorme et soudaine s'exerce sur l'outil et l'embout-mèche lors du perçage du trou, lorsque ce dernier est bouché par des copeaux et particules ou lors du contact avec les armatures d'une structure en béton. **En tout temps, utilisez la poignée latérale (poignée auxiliaire) et tenez fermement l'outil par la poignée latérale et la poignée à interrupteur pendant l'exécution des travaux.** Autrement vous risquez de perdre le contrôle de l'outil et courez un risque de blessure grave.


Mettez le bouton de changement de mode sur le symbole .

Placez l'embout-mèche à l'emplacement où vous souhaitez faire le trou, puis appuyez sur la gâchette. N'appliquez pas une force excessive sur l'outil. Vous obtiendrez de meilleurs résultats en exerçant une légère pression. Maintenez l'outil en position et évitez qu'il ne glisse à l'extérieur du trou.

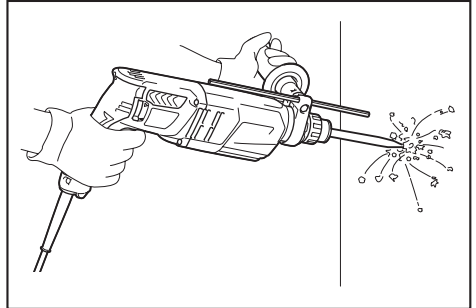
N'appliquez pas davantage de pression lorsque le trou est bouché par les copeaux et particules. Faites plutôt tourner l'outil au ralenti, puis retirez partiellement l'embout-mèche du trou. En répétant cette opération quelques fois, le trou se débouchera et vous pourrez poursuivre le perçage normalement.

NOTE : Lorsque l'outil tourne à vide, il se peut que l'embout-mèche tourne de manière excentrique. L'outil se centrera lui-même lors de l'utilisation avec charge. La précision du perçage n'est donc pas affectée.

Burinage/Écaillage/Démolition

Mettez le bouton de changement de mode sur le symbole . Tenez l'outil fermement à deux mains. Mettez le contact et appliquez une légère pression sur l'outil de façon à en garder la maîtrise et à éviter qu'il ne saute d'un côté ou de l'autre.

L'application d'une très grande pression sur l'outil n'augmentera pas l'efficacité de l'opération.



Perçage du bois ou du métal

ATTENTION : Tenez l'outil fermement et faites bien attention lorsque l'embout-foret commence à approcher de la face opposée de la pièce. Une force énorme s'exerce sur l'outil et sur l'embout-foret au moment où ce dernier émerge de la face opposée.


ATTENTION : Un embout-foret coincé peut être retiré simplement en plaçant l'inverseur sur la rotation en sens inverse pour faire reculer l'outil. Il faut toutefois faire très attention, car l'outil risque de reculer brusquement si vous ne le tenez pas fermement.

ATTENTION : Immobilisez toujours les pièces à travailler dans un étau ou un dispositif de retenue similaire.

AVIS : N'utilisez jamais le mode « rotation avec percussion » lorsque le mandrin porte-embout est posé sur l'outil. Vous risqueriez d'abîmer le mandrin porte-embout.

De plus, le mandrin porte-embout se détacherait quand l'outil passe en mode de rotation inversé.

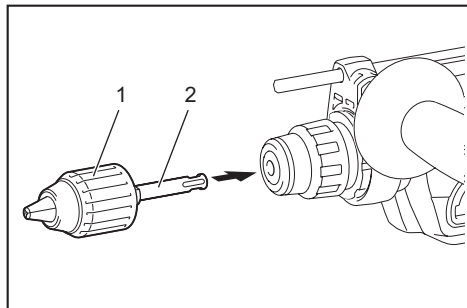
AVIS : Une pression excessive sur l'outil n'accélère pas le perçage. Au contraire, elle risque d'endommager la pointe de l'embout-foret, d'affecter le rendement de l'outil et de raccourcir sa durée de service.

Mettez le bouton de changement de mode sur le symbole .

Pour HR2652/HR2653/HR2663

Accessoire en option

Fixez l'adaptateur de mandrin à un mandrin de perceuse sans clé sur lequel une vis 1/2"-20 peut être posée, puis posez-les sur l'outil. Pour l'installer, reportez-vous à la section « Installation ou retrait de l'embout-mèche ».

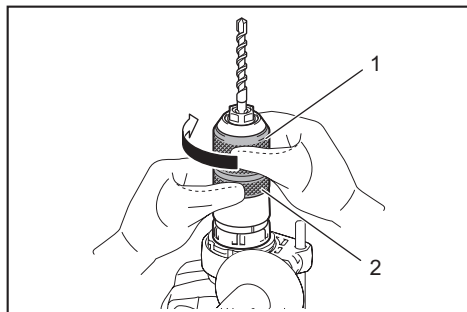


► 1. Mandrin de perceuse sans clé 2. Adaptateur de mandrin

Pour HR2653T

Utilisez le mandrin de perceuse à changement rapide fourni en équipement standard. Pour l'installer, reportez-vous à « Remplacement du mandrin à changement rapide pour SDS-plus ».

Saisissez la bague et tournez le manchon dans le sens contraire des aiguilles d'une montre pour ouvrir les mâchoires du mandrin. Insérez l'embout à fond dans le mandrin. Tenez la bague fermement et tournez le manchon dans le sens des aiguilles d'une montre pour serrer le mandrin.




► 1. Manchon 2. Bague

Pour retirer l'embout, saisissez la bague et tournez le manchon dans le sens contraire des aiguilles d'une montre.

Perçage avec un trépan diamanté

AVIS : Vous risquez d'abîmer le trépan diamanté si vous percez avec un trépan diamanté en mode « rotation avec percussion ».

Pour percer avec un trépan diamanté, réglez toujours le levier de changement de mode sur la position  pour un mouvement de « rotation uniquement ».

Battre les poussières sur le filtre

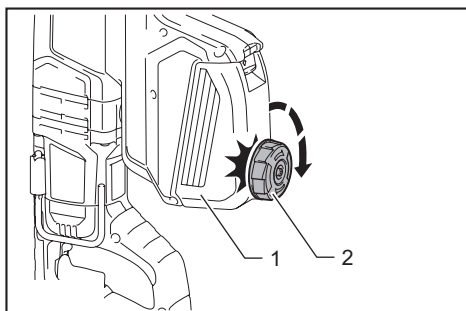
ATTENTION : Ne tournez pas le cadran sur le compartiment à poussières pendant que ce dernier est retiré du dispositif de collecte des poussières. Vous risqueriez d'inhaler des poussières.

ATTENTION : Éteignez toujours l'outil avant de tourner le cadran sur le compartiment à poussières. Vous risquez de perdre le contrôle de l'outil si vous tournez le cadran pendant que l'outil est en marche.

En battant les poussières sur le filtre à l'intérieur du compartiment à poussières, vous pouvez maintenir l'efficacité d'aspiration et jeter les poussières moins souvent.

Tournez le cadran trois fois sur le compartiment à poussières chaque fois que vous avez collecté 50 000 mm³ de poussières ou lorsque vous sentez que l'efficacité d'aspiration a diminué.

NOTE : 50 000 mm³ de poussières équivalent au perçage de 10 trous de $\varnothing 10$ mm d'une profondeur de 65 mm (14 trous de $\varnothing 3/8$ " d'une profondeur de 2").



► 1. Compartiment à poussières 2. Cadran

Mise au rebut des poussières

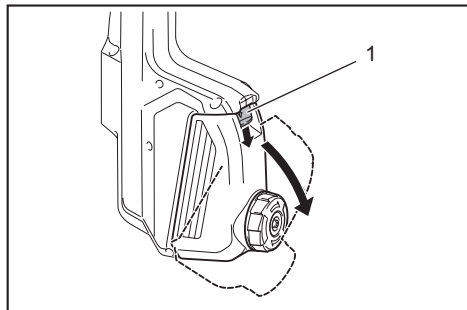
ATTENTION : Avant d'effectuer toute intervention sur l'outil, assurez-vous toujours qu'il est hors tension et débranché.

ATTENTION : Veillez à porter un masque anti-poussières lorsque vous mettez les poussières au rebut.

ATTENTION : Videz régulièrement le compartiment à poussières avant qu'il ne soit plein. L'ignorance de cette consigne peut rendre la collecte des poussières moins efficace et entraîner l'inhalation de poussières.

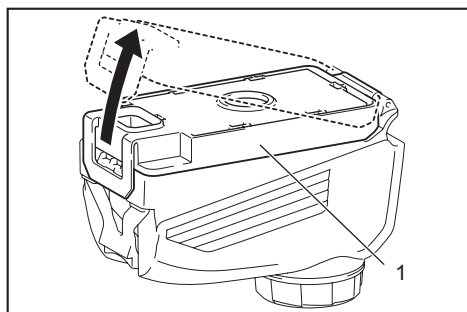
ATTENTION : La collecte des poussières est moins efficace lorsque le filtre du compartiment à poussières est obstrué. Remplacez le filtre par un neuf après l'avoir vidé, comme valeur guide, environ 200 fois. Autrement, il y a risque d'inhalation de poussières.

1. Retirez le compartiment à poussières tout en abaissant le levier du compartiment à poussières.



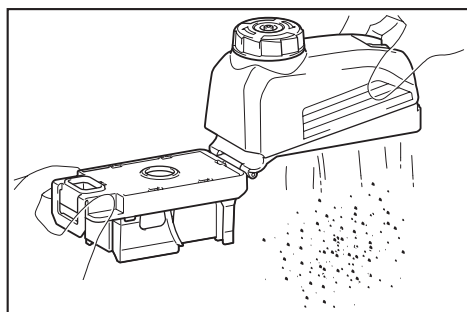
- 1. Levier

2. Ouvrez le couvercle du compartiment à poussières.



- 1. Couvercle

3. Jetez les poussières, puis nettoyez le filtre.

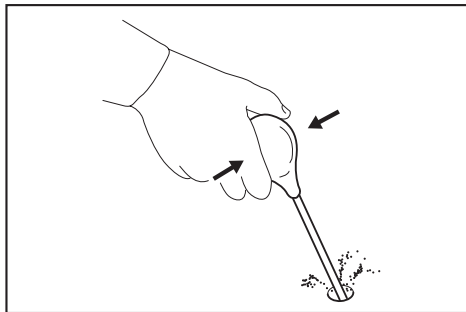


AVIS : Lorsque vous nettoyez le filtre, ne le touchez pas avec une brosse ou autre instrument similaire, et n'appliquez pas d'air comprimé sur le filtre. Cela pourrait endommager le filtre.

Poire soufflante

Accessoire en option

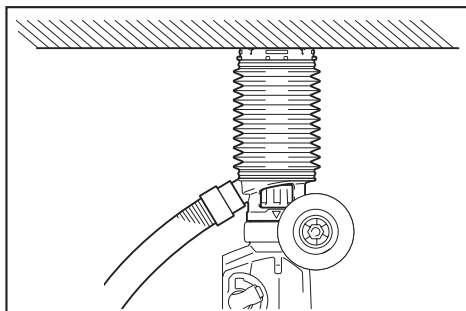
Après avoir percé le trou, utilisez la poire soufflante pour enlever la poussière du trou.



Utilisation de l'ensemble de collecteur de poussières

Accessoire en option

Appliquez l'ensemble de collecteur de poussières contre le plafond lorsque vous utilisez l'outil.



AVIS : Ne pas utiliser l'ensemble de collecteur de poussières lors du perçage dans le métal ou un matériau similaire. Cela risquerait d'endommager l'ensemble de collecteur de poussières, à cause de la chaleur produite par les petites poussières métalliques ou similaires.

AVIS : Ne pas installer ou retirer l'ensemble de collecteur de poussières alors que l'embout-mèche est inséré dans l'outil. Cela risquerait d'endommager l'ensemble de collecteur de poussières et de laisser s'échapper les poussières.

ENTRETIEN

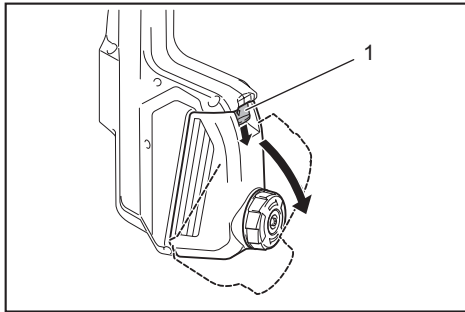
ATTENTION : Assurez-vous toujours que l'outil est hors tension et débranché avant d'y effectuer tout travail d'inspection ou d'entretien.

AVIS : N'utilisez jamais d'essence, de benzène, de solvant, d'alcool ou autres produits similaires. Une décoloration, une déformation ou la formation de fissures peuvent en découler.

Pour maintenir la SÉCURITÉ et la FIABILITÉ du produit, les réparations et tout autre travail d'entretien ou de réglage doivent être effectués dans un centre de service après-vente autorisé ou une usine Makita, exclusivement avec des pièces de rechange Makita.

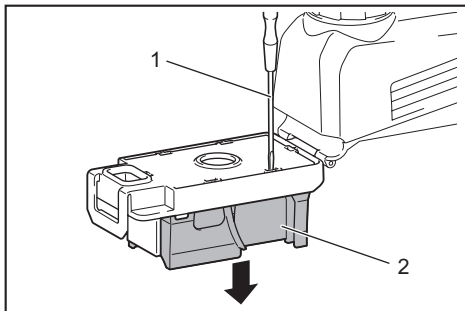
Remplacement du filtre du compartiment à poussières

1. Retirez le compartiment à poussières tout en abaissant le levier du compartiment à poussières.



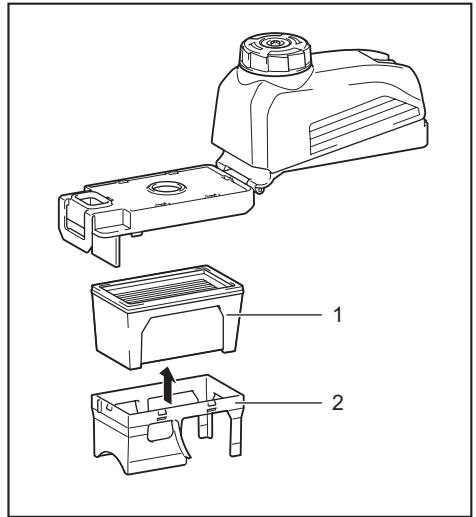
- 1. Levier

2. Insérez un tournevis à lame plate dans les fentes du couvercle de filtre pour retirer le boîtier de filtre et le filtre.



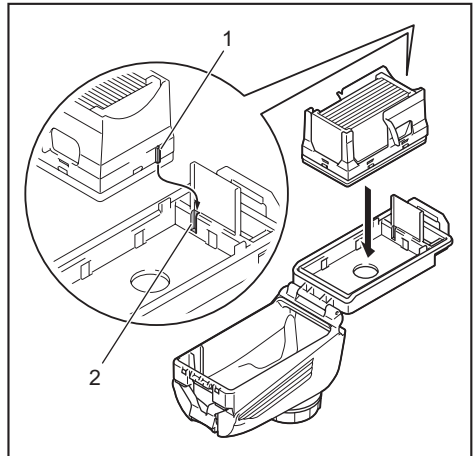
- 1. Tournevis à lame plate 2. Boîtier de filtre

3. Retirez le filtre du boîtier de filtre.



- 1. Filtre 2. Boîtier de filtre

4. Fixez un filtre neuf au boîtier de filtre, puis fixez-les au compartiment à poussières en alignant la partie saillante du boîtier de filtre sur la rainure du compartiment à poussières.



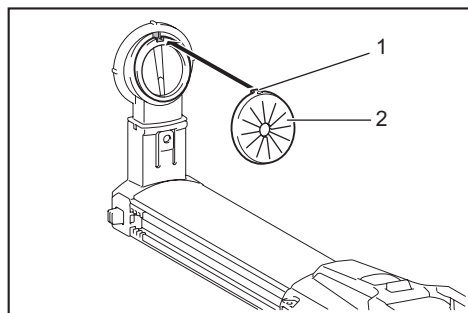
- 1. Partie saillante 2. Rainure

5. Fermez le couvercle du compartiment à poussières, puis fixez ce dernier à l'outil.

Remplacement du capuchon d'étanchéité

Si le capuchon d'étanchéité est usé, la collecte des poussières sera moins efficace. Remplacez-le s'il est usé.

Retirez le capuchon d'étanchéité, puis fixez-en un neuf en plaçant sa partie saillante vers le haut.



► 1. Partie saillante 2. Capuchon d'étanchéité

GARANTIE LIMITÉE MAKITA

Pour les conditions de garantie en vigueur qui s'appliquent à ce produit, veuillez vous reporter à la feuille de garantie en annexe. Si la feuille de garantie en annexe n'est pas disponible, reportez-vous aux détails de la garantie présentés sur le site Web de votre pays, ci-dessous.

États-Unis d'Amérique: www.makitatools.com

Canada: www.makita.ca

Autres pays: www.makita.com

ACCESSOIRES EN OPTION

⚠ ATTENTION : Ces accessoires ou pièces complémentaires sont recommandés pour l'utilisation avec l'outil Makita spécifié dans ce manuel. L'utilisation de tout autre accessoire ou pièce complémentaire peut comporter un risque de blessure. N'utilisez les accessoires ou pièces complémentaires qu'aux fins auxquelles ils ont été conçus.

Si vous désirez obtenir plus de détails sur ces accessoires, veuillez contacter le centre de service après-vente Makita le plus près.

- Embouts-mèches à pointe de carbure (embouts à pointe de carbure SDS-plus)
- Trépan
- Pic
- Trépan diamanté
- Ciseau à froid
- Ciseau à écailler
- Burin à rainures
- Adaptateur de mandrin
- Mandrin de perceuse sans clé
- Graisse pour embout
- Jauge de profondeur
- Poire soufflante
- Collecteur de poussières
- Ensemble de collecteur de poussières
- Lunettes de sécurité
- Mallette de transport en plastique

NOTE : Certains éléments de la liste peuvent être inclus avec l'outil comme accessoires standards. Ils peuvent varier suivant les pays.

ESPECIFICACIONES

Modelo:		HR2652	HR2653	HR2653T	HR2663
Especificaciones eléctricas en México		120 V ~ 7 A 50/60 Hz	-	120 V ~ 7 A 50/60 Hz	-
Capacidades	Concreto	26 mm (1")			
	Punta de corona	68 mm (2-11/16")			
	Punta de corona de diamante (tipo seco)	80 mm (3-1/8")			
	Acero	13 mm (1/2")			
	Madera	32 mm (1-1/4")			
Velocidad sin carga		0 r/min - 1 200 r/min			0 r/min - 1 100 r/min
Golpes por minuto		0 gpm - 4 600 gpm			0 gpm - 4 500 gpm
Longitud total		604 mm (23-3/4")		630 mm (24-3/4")	666 mm (26-1/4")
Peso neto		3,0 kg - 4,3 kg (6,7 lbs - 9,4 lbs)	3,1 kg - 4,3 kg (6,9 lbs - 9,6 lbs)	3,2 kg - 4,5 kg (7,2 lbs - 9,9 lbs)	3,3 kg - 4,6 kg (7,3 lbs - 10,0 lbs)
Clase de seguridad		□/II			

- Debido a nuestro programa continuo de investigación y desarrollo, las especificaciones aquí dadas están sujetas a cambios sin previo aviso.
- Las especificaciones pueden variar de país a país.
- El peso puede variar en función de los accesorios. En la tabla se muestra la combinación de peso más ligero y más pesado conforme al procedimiento 01/2014 de EPTA.

ADVERTENCIAS DE SEGURIDAD

Advertencias generales de seguridad para herramientas eléctricas

⚠ ADVERTENCIA: Lea todas las advertencias de seguridad, instrucciones, ilustraciones y especificaciones suministradas con esta herramienta eléctrica. El no seguir todas las instrucciones indicadas a continuación podría ocasionar una descarga eléctrica, incendio y/o lesiones graves.

Conserve todas las advertencias e instrucciones como referencia en el futuro.

En las advertencias, el término "herramienta eléctrica" se refiere a su herramienta eléctrica de funcionamiento con conexión a la red eléctrica (con cableado eléctrico) o herramienta eléctrica de funcionamiento a batería (inalámbrica).

Seguridad en el área de trabajo

1. **Mantenga el área de trabajo limpia y bien iluminada.** Las áreas oscuras o desordenadas son propensas a accidentes.

2. **No utilice las herramientas eléctricas en atmósferas explosivas, tal como en la presencia de líquidos, gases o polvo inflamables.** Las herramientas eléctricas crean chispas que pueden prender fuego al polvo o los humos.
3. **Mantenga a los niños y espectadores alejados mientras utiliza una herramienta eléctrica.** Las distracciones le pueden hacer perder el control.

Seguridad eléctrica

1. **Las clavijas de las herramientas eléctricas deben encajar perfectamente en la toma de corriente. Nunca modifique la clavija en ninguna forma. No utilice ninguna clavija adaptadora con herramientas eléctricas que tengan conexión a tierra (puesta a tierra).** El uso de clavijas no modificadas y que encajen perfectamente en la toma de corriente reducirá el riesgo de que se produzca una descarga eléctrica.
2. **Evite el contacto del cuerpo con superficies conectadas a tierra o puestas a tierra tales como tubos, radiadores, cocinas y refrigeradores.** Si su cuerpo es puesto a tierra o conectado a tierra existirá un mayor riesgo de que sufra una descarga eléctrica.
3. **No exponga las herramientas eléctricas a la lluvia ni a condiciones de humedad.** La entrada de agua en una herramienta eléctrica aumentará el riesgo de que se produzca una descarga eléctrica.

4. **No maltrate el cable. Nunca utilice el cable para transportar, jalar o desconectar la herramienta eléctrica.** Mantenga el cable alejado del calor, el aceite, los bordes filosos o las piezas móviles. Los cables dañados o enredados aumentan el riesgo de que se produzca una descarga eléctrica.
5. **Cuando use una herramienta eléctrica en exteriores, utilice un cable de extensión apropiado para uso en exteriores.** El uso de un cable apropiado para uso en exteriores reducirá el riesgo de que se produzca una descarga eléctrica.
6. **Si no es posible evitar usar una herramienta eléctrica en condiciones de humedad, utilice un suministro protegido con dispositivo de corriente residual (DCR).** El uso de un DCR reduce el riesgo de una descarga eléctrica.
7. **Las herramientas eléctricas pueden producir campos electromagnéticos (CEM) que no son dañinos para el usuario.** Sin embargo, si los usuarios tienen marcapasos y otros dispositivos médicos similares, deberán consultar al fabricante de su dispositivo y/o a su médico antes de operar esta herramienta eléctrica.
8. **No toque la clavija de conexión con las manos húmedas.**
9. **Si el cable está dañado, solicite al fabricante o a su representante que lo reemplace para evitar un riesgo relacionado con la seguridad.**
7. **Si dispone de dispositivos para la conexión de equipos de extracción y recolección de polvo, asegúrese de conectarlos y utilizarlos debidamente.** El uso de estos dispositivos reduce los riesgos relacionados con el polvo.
8. **No permita que la familiaridad adquirida debido al uso frecuente de las herramientas haga que se sienta confiado e ignore los principios de seguridad de las herramientas.** Un descuido podría ocasionar una lesión grave en una fracción de segundo.
9. **Utilice siempre gafas protectoras para proteger sus ojos de lesiones al usar herramientas eléctricas.** Las gafas deben cumplir con la Norma ANSI Z87.1 en EUA. **Es responsabilidad del empleador imponer el uso de equipos protectores de seguridad apropiados a los operadores de la herramienta y demás personas cerca del área de trabajo.**

Mantenimiento y uso de la herramienta eléctrica

1. **No fuerce la herramienta eléctrica. Utilice la herramienta eléctrica correcta para su aplicación.** La herramienta eléctrica correcta hará un mejor trabajo de manera más segura a la velocidad para la que fue diseñada.
 2. **No utilice la herramienta eléctrica si el interruptor no la enciende ni apaga.** Cualquier herramienta eléctrica que no pueda ser controlada con el interruptor es peligrosa y deberá ser reparada.
 3. **Desconecte la clavija de la fuente de alimentación y/o retire la BATERÍA de la herramienta eléctrica, en caso de ser removible, antes de realizar ajustes, cambiar accesorios o almacenar las herramientas eléctricas.** Tales medidas de seguridad preventivas reducirán el riesgo de poner en marcha la herramienta eléctrica de forma accidental.
 4. **Almacene las herramientas eléctricas cuando no se vayan a utilizar fuera del alcance de los niños y no permita que las personas que no estén familiarizadas con ellas o con las instrucciones las operen.** Las herramientas eléctricas son peligrosas en manos de usuarios inexpertos.
 5. **Dé mantenimiento a las herramientas eléctricas y los accesorios.** Compruebe que no haya piezas móviles desalineadas o estancadas, piezas rotas y cualquier otra condición que pueda afectar al funcionamiento de la herramienta eléctrica. Si la herramienta eléctrica está dañada, haga que la reparen antes de utilizarla. Muchos de los accidentes son ocasionados por herramientas eléctricas que no han recibido un mantenimiento adecuado.
 6. **Mantenga las herramientas de corte limpias y afiladas.** Las herramientas de corte que reciben un mantenimiento adecuado y tienen los bordes afilados tienen una menor probabilidad de quedar atascadas y son más fáciles de controlar.
 7. **Utilice la herramienta eléctrica, así como los accesorios y puntas, etc. de acuerdo con estas instrucciones, tomando en cuenta las condiciones laborales y el trabajo a realizar.** Si utiliza la herramienta eléctrica para realizar operaciones distintas de las indicadas, podría presentarse una situación peligrosa.
- Seguridad personal**
1. **Manténgase alerta, preste atención a lo que está haciendo y utilice su sentido común cuando opere una herramienta eléctrica. No utilice la herramienta eléctrica cuando esté cansado o bajo la influencia de drogas, alcohol o medicamentos.** Un momento de distracción mientras opera las herramientas eléctricas podría ocasionar lesiones personales graves.
 2. **Use equipo de protección personal. Utilice siempre protección para los ojos.** Un equipo protector tal como máscara contra el polvo, zapatos de seguridad antiderrapantes, casco rígido y protección para oídos utilizado en las condiciones apropiadas reducirá las lesiones personales.
 3. **Evite un arranque accidental. Asegúrese de que el interruptor esté en la posición de apagado antes de conectar a la alimentación eléctrica y/o colocar el paquete de baterías, así como al levantar o transportar la herramienta.** Transportar las herramientas eléctricas con su dedo en el interruptor o enchufarlas con el interruptor encendido podría ocasionar accidentes.
 4. **Retire cualquier llave de ajuste o llave de apriete antes de encender la herramienta.** Una llave de ajuste o llave de apriete que se haya dejado puesta en una pieza giratoria de la herramienta eléctrica podría ocasionar lesiones personales.
 5. **No utilice la herramienta donde no alcance. Mantenga los pies sobre suelo firme y el equilibrio en todo momento.** Esto permitirá tener un mejor control sobre la herramienta eléctrica en situaciones inesperadas.
 6. **Use una vestimenta apropiada. No use ropa suelta ni alhajas. Mantenga el cabello, la ropa y los guantes alejados de las piezas móviles.** Las prendas de vestir holgadas, las alhajas y el cabello largo suelto podrían engancharse en estas piezas móviles.

- Mantenga las empuñaduras y superficies de asiento secas, limpias y libres de aceite o grasa.** Las empuñaduras y superficies de asiento resbalosas no permiten una manipulación segura ni el control de la herramienta en situaciones inesperadas.
- Cuando vaya a utilizar esta herramienta, evite usar guantes de trabajo de tela ya que éstos podrían atorarse.** Si los guantes de trabajo de tela llegan a atorarse en las piezas móviles, esto podría ocasionar lesiones personales.

Servicio

- Haga que una persona calificada repare la herramienta utilizando sólo piezas de repuesto idénticas. Esto garantizará que se mantenga la seguridad de la herramienta eléctrica.
- Siga las instrucciones para la lubricación y cambio de accesorios.

Para reducir el riesgo de descarga eléctrica, este equipo cuenta con una clavija polarizada (una pata es más amplia o ancha que la otra). Esta clavija encajará perfectamente en una toma de corriente polarizada solamente de una manera. Si la clavija no encaja perfectamente en la toma de corriente, invierta la clavija. Si aun así no encaja, póngase en contacto con un electricista calificado para que le instale una toma de corriente apropiada. No modifique la clavija en ninguna forma.

Tabla 1: Calibre mínimo para el cable

Amperaje nominal		Voltios	Longitud total del cable en metros			
			7 m (25 ft.)	15 m (50 ft.)	30 m (100 ft.)	45,7 m (150 ft.)
		120 V ~	7 m (25 ft.)	15 m (50 ft.)	30 m (100 ft.)	45,7 m (150 ft.)
		220 V ~ - 240 V ~	15 m (50 ft.)	30 m (100 ft.)	60,9 m (200 ft.)	91,4 m (300 ft.)
Más de	No más de	Calibre del cable (AWG)				
0 A	6 A	-	18	16	16	14
6 A	10 A		18	16	14	12
10 A	12 A		16	16	14	12
12 A	16 A		14	12	No se recomienda	

ADVERTENCIAS DE SEGURIDAD PARA EL MARTILLO ROTATIVO

- Utilice protectores de oídos.** La exposición al ruido puede provocar pérdida auditiva.
- Utilice los mango(s) auxiliare(s) que se suministren con la herramienta.** La pérdida de control puede ocasionar lesiones.
- Sujete la herramienta eléctrica por las superficies de agarre aisladas al realizar una operación en la que el accesorio de corte pueda estar en contacto con cables ocultos o su propio cable.** Si el accesorio de corte entra en contacto con un cable con corriente, las piezas metálicas expuestas de la herramienta eléctrica se cargarán también de corriente y el operador puede recibir una descarga eléctrica.
- Utilice un casco protector (casco de seguridad), gafas de seguridad y/o careta de protección.** Los anteojos comunes o de sol NO son gafas de seguridad. También es muy recomendable que utilice una máscara contra polvo y guantes bien acolchados.
- Asegúrese de que la punta se encuentre asegurada en su lugar antes de la operación.**
- En condiciones normales de operación, la herramienta está diseñada para producir vibración. Los tornillos pueden aflojarse fácilmente y causar una falla o accidente. Verifique cuidadosamente que los tornillos estén apretados antes de la operación.**
- En clima frío o cuando la herramienta no se haya utilizado durante un tiempo prolongado, permita que la herramienta se caliente un rato haciéndola funcionar sin carga. Esto facilitará la lubricación. Sin un calentamiento apropiado, la operación de percusión resultará difícil.**
- Asegúrese siempre de que pisa sobre suelo firme. Asegúrese de que no haya nadie debajo cuando utilice la herramienta en lugares altos.**
- Sujete la herramienta firmemente con ambas manos.**
- Mantenga las manos alejadas de las piezas móviles.**
- No deje la herramienta funcionando. Tenga en marcha la herramienta solamente cuando la esté sosteniendo con la mano.**
- Durante la operación, no apunte con la herramienta a ninguna persona en el área. La punta podría salir volando y causarle una lesión grave a alguien.**



13. No toque la punta, las piezas cercanas a la punta o la pieza de trabajo inmediatamente después de la operación; éstas podrían estar extremadamente calientes y producirle quemaduras en la piel.
14. Algunos materiales contienen sustancias químicas que pueden ser tóxicas. Evite inhalar polvo y que éste entre en contacto con la piel. Consulte la hoja de seguridad de materiales del proveedor.
15. No toque la clavija de conexión con las manos húmedas.

GUARDE ESTAS INSTRUCCIONES.

⚠️ ADVERTENCIA: NO DEJE que la comodidad o familiaridad con el producto (a base de utilizarlo repetidamente) evite que siga estrictamente las normas de seguridad para dicho producto. El USO INCORRECTO o el no seguir las normas de seguridad indicadas en este manual de instrucciones puede ocasionar lesiones graves.

Símbolos

A continuación se muestran los símbolos utilizados para la herramienta.

V	volts o voltios
A	amperes
Hz	hertz
~	corriente alterna
n _o	velocidad sin carga
	Construcción clase II
... /min r /min	revoluciones o alternaciones por minuto, frecuencia de rotación
	número de percusiones

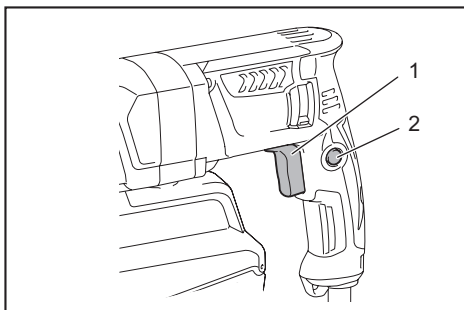
DESCRIPCIÓN DEL FUNCIONAMIENTO

⚠️ PRECAUCIÓN: Asegúrese siempre de que la herramienta esté apagada y desconectada antes de ajustar o comprobar cualquier función en la herramienta.

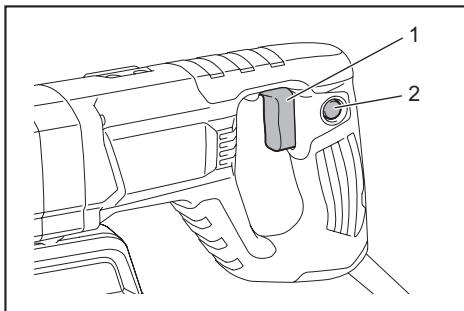
Accionamiento del interruptor

⚠️ PRECAUCIÓN: Antes de conectar la herramienta, compruebe siempre que el gatillo interruptor se accione debidamente y que regrese a la posición de apagado (OFF) cuando se libere.

⚠️ PRECAUCIÓN: El interruptor puede ser bloqueado en la posición "encendido" para mayor comodidad del operador durante el uso prolongado. Tenga precaución cuando bloquee la herramienta en la posición "encendido" y sujete la herramienta firmemente.



► 1. Gatillo interruptor 2. Botón de bloqueo



► 1. Gatillo interruptor 2. Botón de bloqueo

Para arrancar la herramienta, simplemente jale el gatillo interruptor. La velocidad de la herramienta aumenta al incrementar la presión en el gatillo interruptor. Para detenerla, suelte el gatillo interruptor.

Para una operación continua, jale el gatillo interruptor, presione el botón de bloqueo y luego suelte el gatillo interruptor. Para detener la herramienta desde la posición de bloqueo, jale el gatillo interruptor por completo y luego suéltelo.

Accionamiento del conmutador de inversión de giro

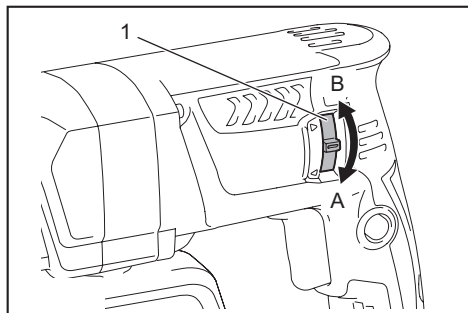
PRECAUCIÓN: Confirme siempre la dirección de rotación antes de la operación.

AVISO: Utilice el conmutador de inversión solamente después de que la herramienta haya parado completamente. Si cambia la dirección de rotación antes de que la herramienta haya parado podría dañarla.

AVISO: Si el gatillo interruptor no puede oprimirse, verifique que el interruptor de inversión esté completamente ajustado en la posición ◁ / ▷ (lado A) o ▷ / ▷ (lado B).

Para los modelos HR2652/HR2653/HR2653T

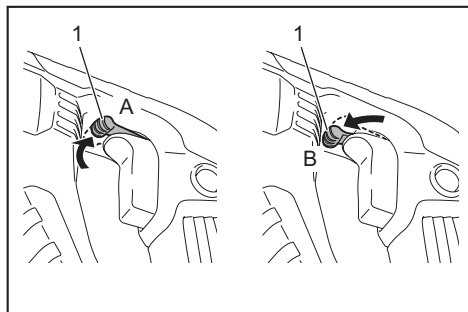
Esta herramienta cuenta con un interruptor de inversión para cambiar la dirección de rotación. Mueva la palanca del interruptor de inversión a la posición ◁ (lado A) para una rotación en el sentido de las manecillas del reloj o a la posición ▷ (lado B) para una rotación en sentido inverso al de las manecillas del reloj.



► 1. Palanca del interruptor de inversión

Para el modelo HR2663

Esta herramienta cuenta con un interruptor de inversión para cambiar la dirección de rotación. Mueva la palanca del interruptor de inversión a la posición ◁ (lado A) para una rotación en el sentido de las manecillas del reloj, o a la posición ▷ (lado B) para una rotación en sentido inverso al de las manecillas del reloj.



► 1. Palanca del interruptor de inversión

NOTA: Cuando usted está operando la herramienta con una rotación en sentido inverso al de las manecillas del reloj, el gatillo interruptor es jalado sólo hasta la mitad y la herramienta funciona a media velocidad. Para una rotación en sentido inverso al de las manecillas del reloj, usted no podrá oprimir el botón de bloqueo.


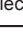
Cambio del portabrocas de cambio rápido para SDS-plus

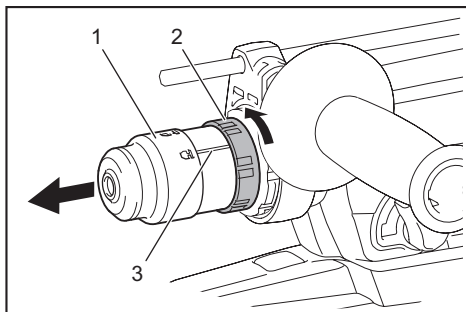
Para el modelo HR2653T

El portabrocas de cambio rápido para SDS-plus puede intercambiarse fácilmente por el portabrocas adaptador de cambio rápido.

Extracción del portabrocas de cambio rápido para SDS-plus




PRECAUCIÓN: Antes de extraer el portabrocas de cambio rápido para SDS-plus, asegúrese de retirar la punta.

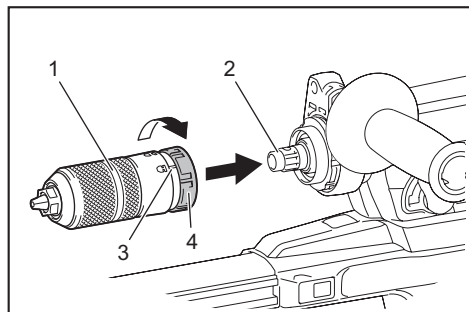
Sujete la cubierta de cambio del portabrocas de cambio rápido para SDS-plus y gírela en la dirección de la flecha hasta que la línea de la cubierta de cambio se desplace del símbolo  al símbolo . Jale con fuerza en la dirección de la flecha.



► 1. Portabrocas de cambio rápido para SDS-plus
2. Cubierta de cambio 3. Línea de la cubierta de cambio

Instalación del portabrocas adaptador de cambio rápido

Verifique que la línea del portabrocas adaptador de cambio rápido muestre el símbolo . Sujete la cubierta de cambio del portabrocas adaptador de cambio rápido y ajuste la línea en el símbolo . Coloque el portabrocas adaptador de cambio rápido en el eje de la herramienta. Sujete la cubierta de cambio del portabrocas adaptador de cambio rápido y gire la línea de la cubierta de cambio al símbolo  hasta que se pueda escuchar claramente un clic.



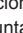
- 1. Portabrocas adaptador de cambio rápido 2. Eje
3. Línea de la cubierta de cambio 4. Cubierta de cambio

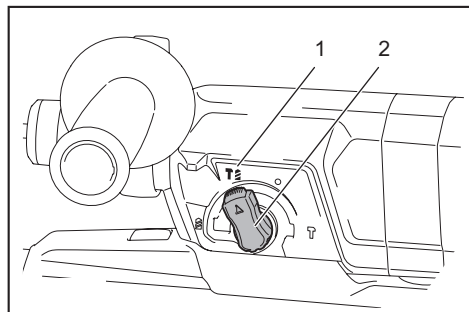
Selección del modo de accionamiento

AVISO: No gire la perilla de cambio de modo de accionamiento cuando la herramienta esté en marcha. Esto podría causar daños a la herramienta.

AVISO: Para evitar un desgaste rápido del mecanismo de cambio de modo, asegúrese siempre de que la perilla de cambio de modo de accionamiento se encuentre realmente ubicada en una de las tres posiciones del modo de accionamiento.

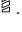
Rotación con percusión

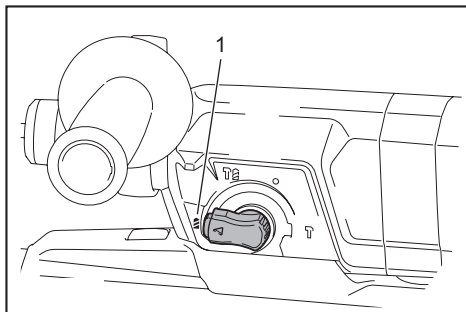
Para taladrar en concreto, mampostería, etc., gire la perilla de cambio de modo de accionamiento al símbolo . Utilice una broca con punta de carburo de tungsteno (accesorio opcional).



- 1. Rotación con percusión 2. Perilla de cambio de modo de accionamiento


Sólo rotación

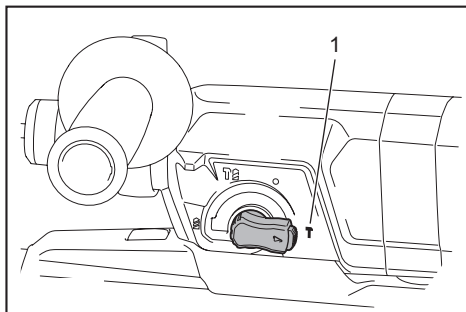
Para taladrar en materiales de madera, metal o plástico, gire la perilla de cambio de modo de accionamiento al símbolo . Utilice una broca helicoidal o broca para madera.



- 1. Sólo rotación

Sólo percusión

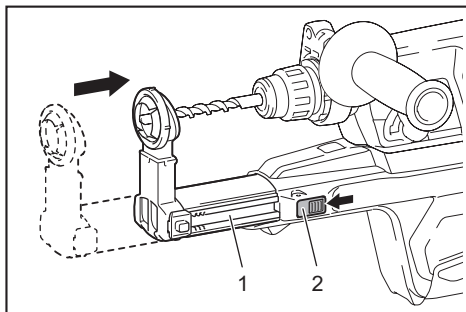
Para operaciones de cincelado, desincrustación o demolición, gire la perilla de cambio de modo de accionamiento al símbolo . Utilice un cincel de punta, cincel plano, cincel de desincrustación, etc.



- 1. Sólo percusión

Ajuste de la posición de la boquilla

Empuje hacia adentro la guía mientras oprime el botón de ajuste de la guía y luego suelte el botón en la posición deseada.

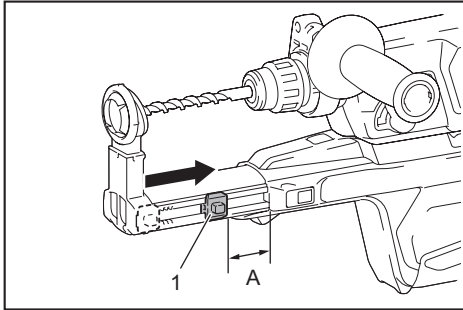


- 1. Guía 2. Botón de ajuste de la guía

NOTA: Antes de ajustar la posición de la boquilla, libere totalmente la boquilla hacia adelante oprimiendo el botón de ajuste de la guía.

Ajuste de la profundidad de perforación

Deslice el botón de ajuste de profundidad hasta la posición deseada mientras lo oprime. La distancia (A) es la profundidad de perforación.



► 1. Botón de ajuste de profundidad

Limitador de torsión

AVISO: En cuanto el limitador de torsión se accione, apague de inmediato la herramienta. Esto ayudará a evitar el desgaste prematuro de la herramienta.

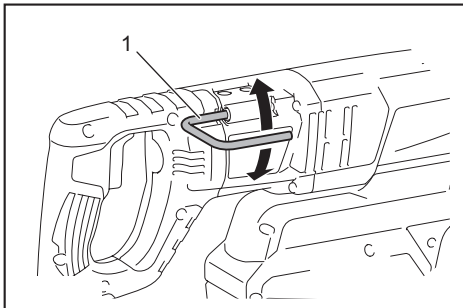
AVISO: Las brocas tales como las de sierra perforadora, las cuales tienden a atorarse o engancharse fácilmente en el agujero, no son adecuadas para esta herramienta. Esto es debido a que pueden provocar que el limitador de torsión se accione con demasiada frecuencia.

El limitador de torsión se accionará una vez que se alcance un cierto nivel de torsión. El motor se desenganchará del eje de salida. Cuando esto suceda, la broca dejará de girar.

Gancho

PRECAUCIÓN: Nunca enganche la herramienta en un lugar elevado o en una superficie potencialmente inestable.

Para el modelo HR2663



► 1. Gancho

El gancho resulta conveniente para colgar temporalmente la herramienta. Cuando vaya a utilizar el gancho, simplemente levántelo hasta que quede trabado en la posición abierta. Cuando no lo vaya a utilizar, siempre bájelo hasta que quede trabado en la posición cerrada.

MONTAJE

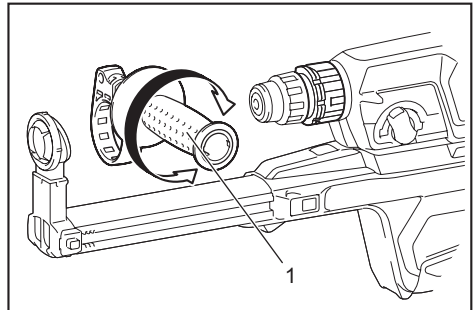
PRECAUCIÓN: Asegúrese siempre de que la herramienta esté apagada y desconectada antes de realizar cualquier trabajo en la misma.

Empuñadura lateral (mango auxiliar)

PRECAUCIÓN: Utilice siempre la empuñadura lateral para garantizar una operación segura.

PRECAUCIÓN: Después de instalar o ajustar la empuñadura lateral, asegúrese de que quede firmemente asegurada.

Instale la empuñadura lateral de modo que las ranuras en la empuñadura encajen en las protuberancias del cilindro de la herramienta. Gire la empuñadura en el sentido de las manecillas del reloj para asegurarla. La empuñadura puede fijarse en el ángulo deseado.



► 1. Empuñadura lateral

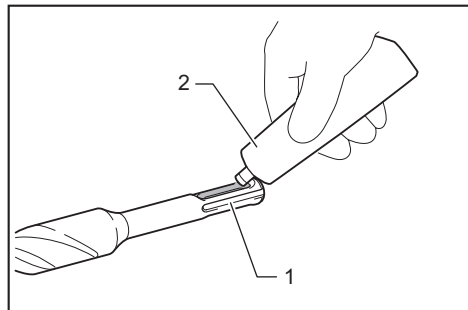
Grasa

Aplique previamente una pequeña cantidad de grasa (alrededor de 0,5 g - 1 g) en el extremo de la espiga de la broca.

La lubricación del portabrocas asegura un accionamiento suave y una vida útil más larga.

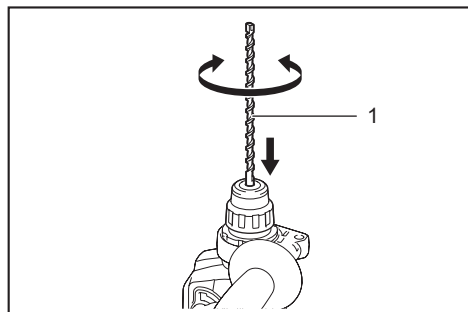
Instalación o extracción de la broca

Limpie el extremo de la espiga de la broca y aplique grasa antes de instalar la broca.



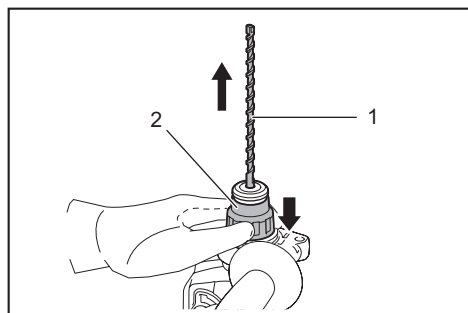
► 1. Extremo de la espiga 2. Grasa

Inserte la broca en la herramienta. Gire la broca y empújela hacia adentro hasta que quede enganchada. Después de instalar la broca, asegúrese siempre de que la broca quede asegurada en su lugar intentando jalarla hacia afuera.



► 1. Broca

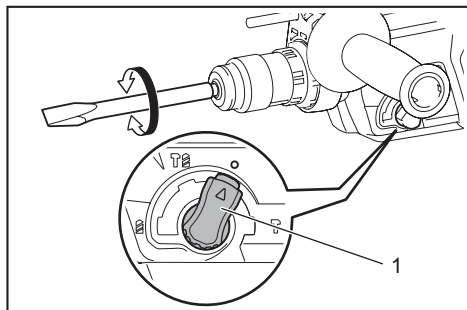
Para extraer la broca, jale hasta abajo la cubierta del portabrocas y jale la broca hacia afuera.



► 1. Broca 2. Cubierta del portabrocas

Ángulo del cincel (durante el cincelado, desincrustación o demolición)

El cincel puede fijarse en el ángulo deseado. Para cambiar el ángulo del cincel, gire la perilla de cambio de modo de accionamiento al símbolo O. Gire el cincel al ángulo deseado.

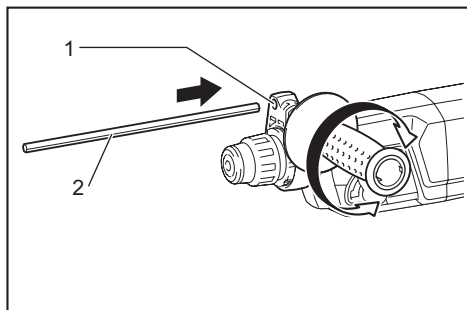


► 1. Perilla de cambio de modo de accionamiento

Gire la perilla de cambio de modo de accionamiento al símbolo T. Luego asegúrese de que el cincel quede asegurado en su lugar girándolo ligeramente.

Calibrador de profundidad

El calibrador de profundidad sirve para perforar orificios de profundidad uniforme. Afloje la empuñadura lateral e inserte el calibrador de profundidad en el orificio de la empuñadura lateral. Ajuste el calibrador de profundidad a la profundidad deseada y apriete la empuñadura lateral firmemente.

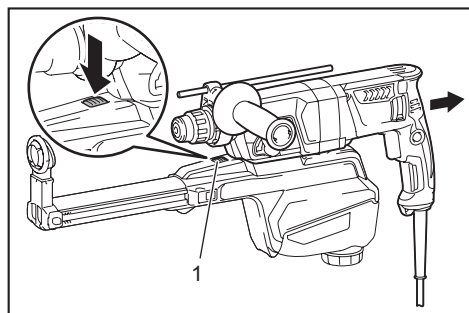


► 1. Orificio 2. Calibrador de profundidad

NOTA: Asegúrese de que el calibrador de profundidad no toque el cuerpo principal de la herramienta al momento de fijarlo.

Instalación o extracción del sistema de recolección de polvo

Para extraer el sistema de recolección de polvo, jale la herramienta mientras oprime el botón de desbloqueo. Para instalarlo, inserte la herramienta en el sistema de recolección de polvo hasta que llegue al fondo y quede asegurado en su lugar con un pequeño clic.



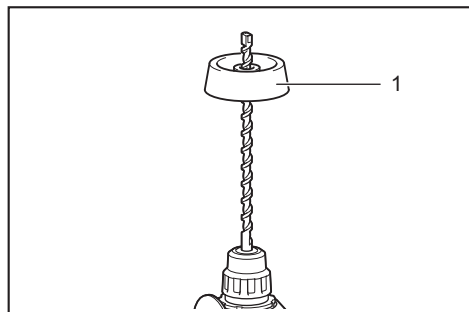
► 1. Botón de desbloqueo

Contenedor de polvo

Accesorio opcional

Utilice el contenedor de polvo para evitar que el polvo caiga sobre la herramienta y sobre usted al realizar operaciones de perforación por encima de su cabeza. Fije el contenedor de polvo en la punta tal como se muestra en la ilustración. El tamaño de las puntas en las que el contenedor de polvo puede fijarse es el que se indica a continuación.

Modelo	Diámetro de la punta
Contenedor de polvo 5	6 mm (1/4") - 14,5 mm (9/16")
Contenedor de polvo 9	12 mm (15/32") - 16 mm (5/8")

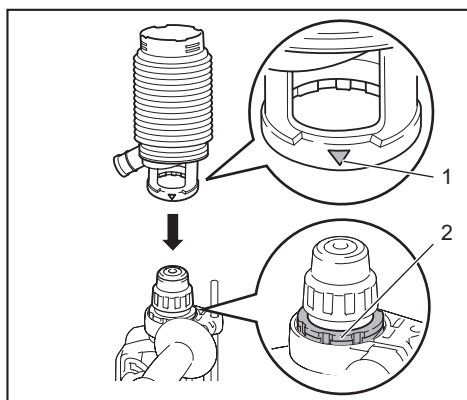


► 1. Contenedor de polvo

Juego contenedor de polvo

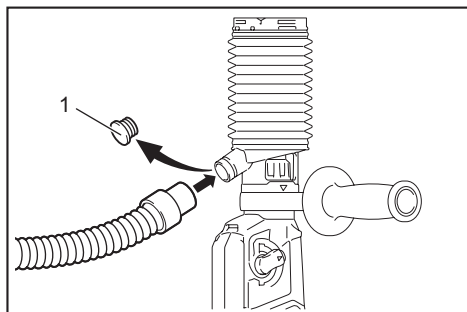
Accesorio opcional

Antes de instalar el juego contenedor de polvo, extraiga la punta de la herramienta en caso de estar instalada. Instale el juego contenedor de polvo en la herramienta de manera que el símbolo Δ en el contenedor de polvo quede alineado con la ranura en la herramienta.



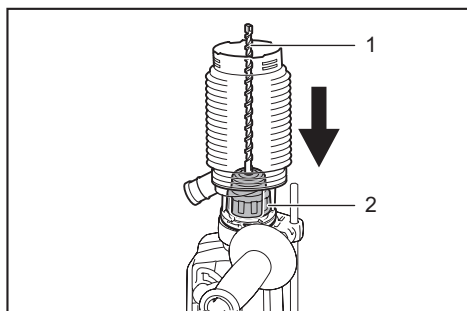
► 1. Δ símbolo 2. Ranura

NOTA: Si conecta una aspiradora al juego contenedor de polvo, retire la tapa guardapolvos antes de conectarla.



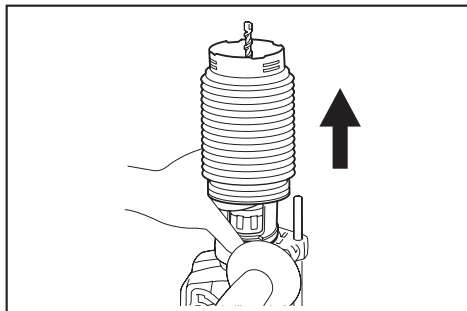
► 1. Tapa guardapolvos

Para extraer el juego contenedor de polvo, retire la punta mientras jala la cubierta del portabrocas en la dirección de la flecha.

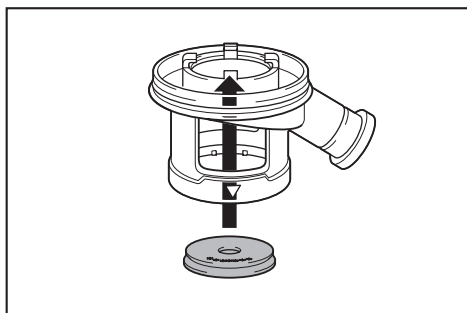


► 1. Punta 2. Cubierta del portabrocas

Tome el contenedor de polvo desde la raíz y sáquelo.



NOTA: Si la tapa llega a salirse del contenedor de polvo, fíjela con su lado impreso orientado hacia arriba de manera que la ranura en la tapa encaje en la periferia interior del accesorio.



OPERACIÓN

⚠PRECAUCIÓN: Utilice siempre la empuñadura lateral (mango auxiliar) y sujete firmemente la herramienta tanto de la empuñadura lateral como del mango del interruptor durante las operaciones.

⚠PRECAUCIÓN: Asegúrese siempre de que la pieza de trabajo quede asegurada antes de la operación.

⚠PRECAUCIÓN: El sistema de recolección de polvo está diseñado para perforar en concreto únicamente. No utilice el sistema de recolección de polvo para perforar en metal ni en madera.

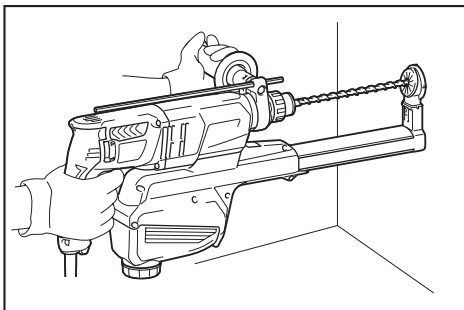
⚠PRECAUCIÓN: Cuando vaya a utilizar la herramienta con el sistema de recolección de polvo, asegúrese de colocar el filtro en el sistema de recolección de polvo para evitar la inhalación de polvo.

⚠PRECAUCIÓN: Antes de utilizar el sistema de recolección de polvo, verifique que el filtro no esté dañado. El no hacerlo podría causar la inhalación de polvo.

⚠PRECAUCIÓN: El sistema de recolección de polvo recolecta el polvo que se genera en un volumen considerable, sin embargo, es imposible recolectarlo todo.


AVISO: No utilice el sistema de recolección de polvo para taladrado con corona ni cincelado.

AVISO: No utilice el sistema de recolección de polvo para perforar en concreto húmedo ni lo utilice en entornos mojados. El hacerlo podría causar averías.



Operación de taladrado con percusión

⚠PRECAUCIÓN: En el momento de comenzar a penetrar, cuando se obstruye el orificio con virutas y partículas, o cuando se topa contra varillas de refuerzo de concreto, se ejerce una tremenda y repentina fuerza de torsión sobre la herramienta/broca. **Utilice siempre la empuñadura lateral (mango auxiliar) y sujete firmemente la herramienta tanto de la empuñadura lateral como del mango del interruptor durante las operaciones.** El no hacerlo puede provocar la pérdida de control de la herramienta y potencialmente ocasionar lesiones graves.


Ajuste la perilla de cambio de modo de accionamiento en el símbolo .

Coloque la broca donde desee hacer el agujero y luego jale el gatillo interruptor. No fuerce la herramienta. Los mejores resultados se obtienen con una ligera presión. Mantenga la herramienta en posición y evite que se deslice y se salga del agujero.

No aplique más presión cuando el agujero se obstruya con astillas o partículas. En vez de esto, haga funcionar la herramienta sin presión y luego retire parcialmente la broca del agujero. Repitiendo esto varias veces, el agujero se limpiará y se podrá reanudar el taladrado de manera normal.

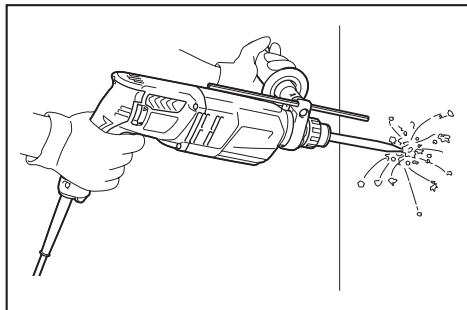
NOTA: Es posible que se produzca excentricidad en la rotación de la broca al operar la herramienta sin carga. La herramienta se centrará automáticamente durante la operación. Esto no afectará la precisión en el taladrado.

Cinzelado/desincrustación/ demolición

Ajuste la perilla de cambio de modo de accionamiento en el símbolo .

Sujete la herramienta firmemente con ambas manos. Encienda la herramienta y aplique una ligera presión sobre ella de manera que no rebote de forma descontrolada.

Aplicar mucha presión sobre la herramienta no incrementará la eficiencia.



Taladrado en madera o metal

⚠PRECAUCIÓN: Sujete firmemente la herramienta y tenga cuidado cuando la broca de taladro comience a penetrar en la pieza de trabajo. La fuerza ejercida en la herramienta/broca de taladro al momento de la penetración es enorme.


⚠PRECAUCIÓN: Para extraer una broca de taladro atorada, basta simplemente con ajustar el interruptor de inversión en rotación inversa para hacerla retroceder. Sin embargo, la herramienta puede retroceder bruscamente si no la sujeta con firmeza.

⚠PRECAUCIÓN: Asegure siempre las piezas de trabajo con un tornillo de banco o dispositivo de sujeción similar.

AVISO: Nunca use la “rotación con percusión” cuando el portabrocas adaptador esté instalado en la herramienta. Esto podría causar daños al portabrocas adaptador.

Asimismo, el portabrocas adaptador podría salirse al invertir la rotación de la herramienta.

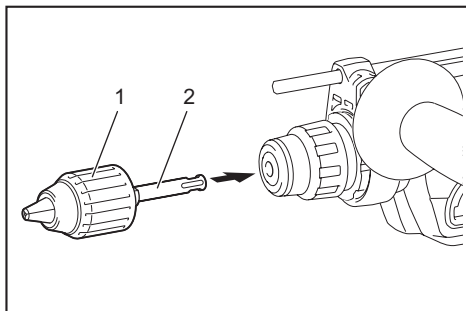
AVISO: Ejercer una presión excesiva sobre la herramienta no hará que consiga taladrar más rápido. De hecho, una presión excesiva sólo logrará dañar la punta de la broca de taladro, reducir el desgaste y acortar la vida útil de la herramienta.

Ajuste la perilla de cambio de modo de accionamiento en el símbolo .

Para los modelos HR2652/HR2653/ HR2663

Accesorio opcional

Fije el adaptador de mandril en un portabrocas adaptador sin llave en el que pueda instalarse un tornillo que mida 1/2"-20, y después instálelos en la herramienta. Cuando lo instale, consulte la sección “Instalación o extracción de la broca”.

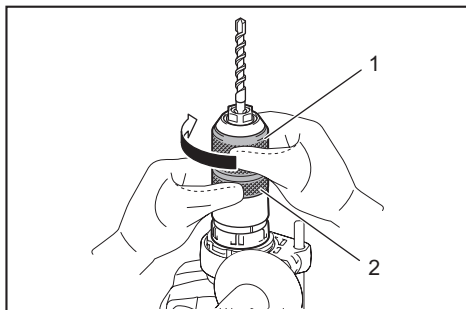


► 1. Portabrocas adaptador sin llave 2. Adaptador de mandril

Para el modelo HR2653T

Utilice el portabrocas adaptador de cambio rápido como equipo estándar. Cuando lo instale, consulte la sección “Cambio del portabrocas de cambio rápido para SDS-plus”.

Sostenga el anillo y gire el mandril en sentido inverso al de las manecillas del reloj para abrir las mordazas del portabrocas. Coloque la punta en el mandril hasta que llegue al tope. Sostenga el anillo firmemente y gire el mandril en el sentido de las manecillas del reloj para apretar el portabrocas.




► 1. Mandril 2. Anillo

Para extraer la punta, sostenga el anillo y gire el mandril en sentido inverso al de las manecillas del reloj.

Taladrado con punta de corona de diamante

AVISO: Si realiza operaciones de taladrado con punta de corona de diamante usando la acción de "rotación con percusión", la punta de corona de diamante podría dañarse.

Cuando realice operaciones de taladrado con punta de corona de diamante, ajuste siempre la palanca de cambio en la posición  para utilizar la acción "sólo rotación".

Sacudir el polvo del filtro

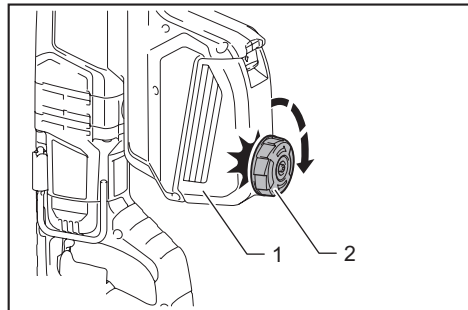
PRECAUCIÓN: No gire el selector de la caja para polvo mientras la caja para polvo se extrae del sistema de recolección de polvo. De lo contrario puede ocasionarse la inhalación de polvo.

PRECAUCIÓN: Apague siempre la herramienta antes de girar el selector de la caja para polvo. Si se gira el selector mientras la herramienta está en funcionamiento, se puede ocasionar la pérdida del control de la herramienta.

Si se sacude el polvo del filtro en el interior de la caja para polvo, se puede mantener la eficiencia de aspiración y reducir además el número de veces que hay que desechar el polvo.

Gire tres veces el selector de la caja para polvo cada vez que se acumulen 50 000 mm³ de polvo o cuando crea que el rendimiento de aspiración se ha reducido.

NOTA: 50 000 mm³ de polvo equivalen a perforar 10 orificios de \varnothing 10 mm y 65 mm de profundidad (14 orificios de \varnothing 3/8" y 2" de profundidad).



► 1. Caja para polvo 2. Selector

Eliminación del polvo

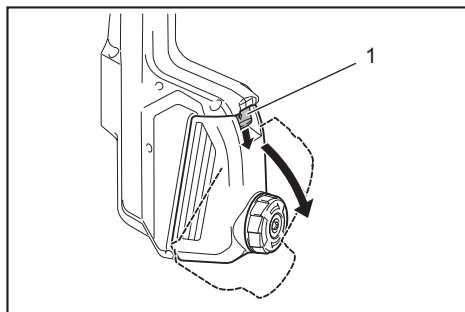
PRECAUCIÓN: Asegúrese siempre de que la herramienta esté apagada y desconectada antes de realizar cualquier trabajo en la misma.

PRECAUCIÓN: Cuando vaya a proceder a eliminar el polvo, asegúrese de usar una máscara contra polvo.

PRECAUCIÓN: Vacíe la caja para polvo regularmente antes de que ésta se llene. El no hacerlo podría reducir el desempeño de la recolección de polvo y causar la inhalación de polvo.

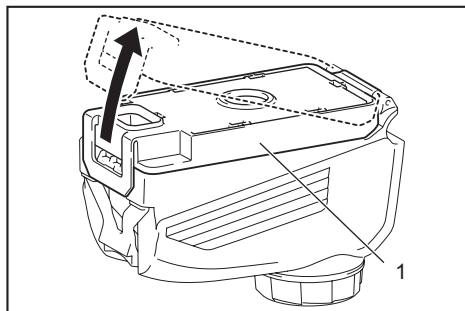
PRECAUCIÓN: El desempeño de la recolección de polvo se verá reducido si el filtro en la caja para polvo llega a obstruirse. Como referencia, reemplace el filtro con uno nuevo después de aproximadamente 200 veces que la caja se haya llenado de polvo. El no hacerlo podría causar la inhalación de polvo.

1. Extraiga la caja para polvo mientras presiona hacia abajo la palanca de la caja para polvo.



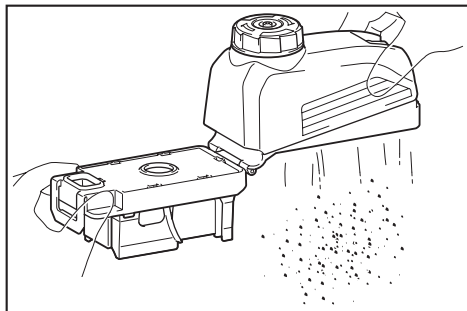
► 1. Palanca

2. Abra la cubierta de la caja para polvo.



► 1. Cubierta

3. Elimine el polvo y luego limpie el filtro.

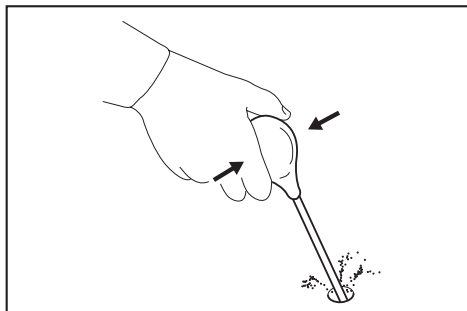


AVISO: Cuando limpie el filtro, evite tocarlo con un cepillo u objeto similar, ni sople aire comprimido al filtro. El hacerlo podría causar daños al filtro.

Soplador

Accesorio opcional

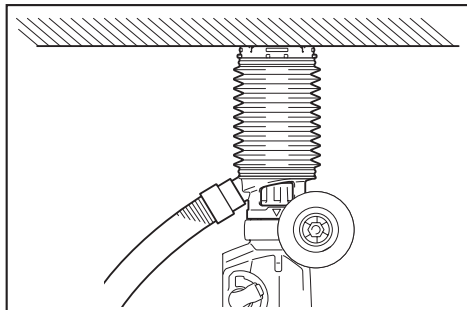
Después de perforar el agujero, utilice el soplador para limpiar el polvo del agujero.



Uso del juego contenedor de polvo

Accesorio opcional

Fije el juego contenedor de polvo contra el techo cuando opere la herramienta.



AVISO: No utilice el juego contenedor de polvo cuando perforo en metal o un material similar. Esto podría dañar el juego contenedor de polvo debido al calor producido por las pequeñas partículas de polvo de metal o material similar.

AVISO: No instale ni extraiga el juego contenedor de polvo con la broca instalada en la herramienta. Esto podría dañar el juego contenedor de polvo y causar la filtración de polvo.

MANTENIMIENTO

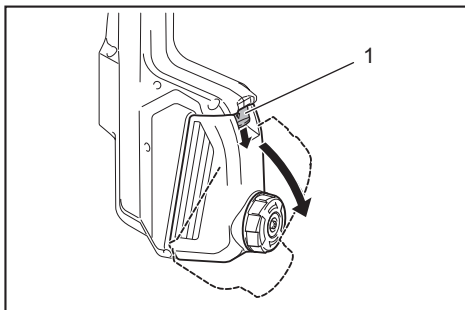
PRECAUCIÓN: Asegúrese siempre de que la herramienta esté apagada y desconectada antes de intentar realizar una inspección o mantenimiento.

AVISO: Nunca use gasolina, bencina, diluyente (tiner), alcohol o sustancias similares. Puede que esto ocasione grietas o descoloramiento.

Para mantener la SEGURIDAD y FIABILIDAD del producto, las reparaciones, y cualquier otra tarea de mantenimiento o ajuste deberán ser realizadas en centros de servicio autorizados o de fábrica Makita, empleando siempre repuestos Makita.

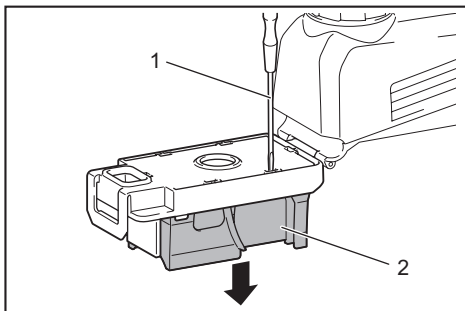
Reemplazo del filtro de la caja para polvo

1. Extraiga la caja para polvo mientras presiona hacia abajo la palanca de la caja para polvo.



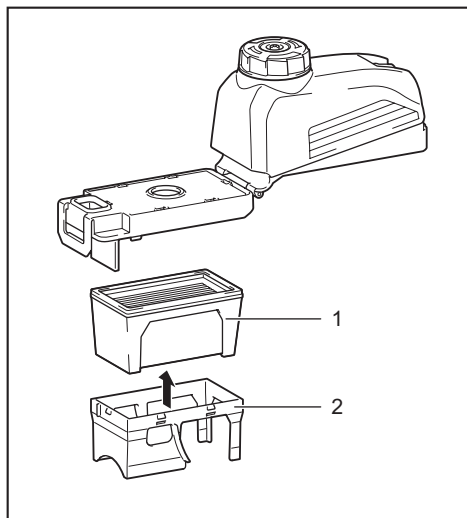
- 1. Palanca

2. Inserte un destornillador de punta plana en las ranuras de la cubierta del filtro para extraer la caja del filtro y el filtro.



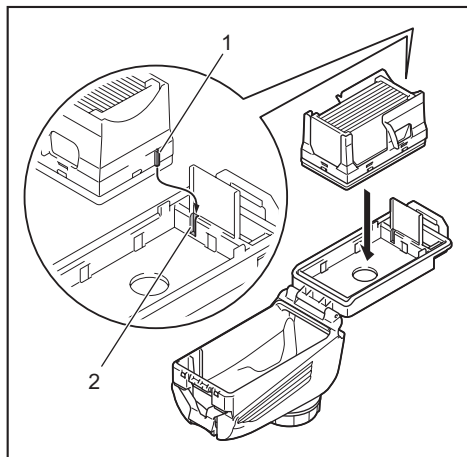
- 1. Destornillador de punta plana 2. Caja del filtro

3. Extraiga el filtro de la caja del filtro.



► 1. Filtro 2. Caja del filtro

4. Coloque un filtro nuevo en la caja del filtro y luego fíjelo en la caja para polvo alineando la protuberancia en la caja del filtro con la ranura en la caja para polvo.



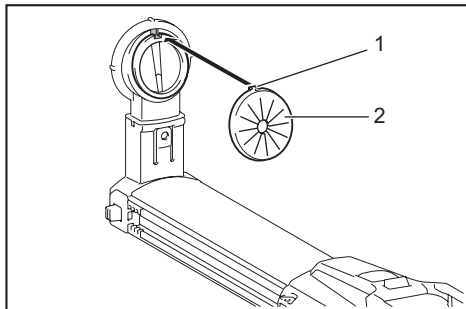
► 1. Protuberancia 2. Ranura

5. Cierre la cubierta de la caja para polvo y luego fíjela en la herramienta.

Reemplazo del tapón sellador

Si el tapón sellador está desgastado, el desempeño de la recolección de polvo se verá reducido. Reemplácelo si presenta indicios de desgaste.

Retire el tapón sellador y luego coloque uno nuevo con su protuberancia orientada hacia arriba.



► 1. Protuberancia 2. Tapón sellador

ACCESORIOS OPCIONALES

⚠PRECAUCIÓN: Estos accesorios o aditamentos están recomendados para utilizarse con su herramienta Makita especificada en este manual. El empleo de cualquier otro accesorio o aditamento puede conllevar el riesgo de lesiones personales. Utilice los accesorios o aditamentos solamente para su fin establecido.

Si necesita cualquier ayuda para más detalles en relación con estos accesorios, pregunte a su centro de servicio local Makita.

- Brocas con puntas de carburo (puntas de carburo SDS-Plus)
- Punta de corona
- Cíncel de punta
- Punta de corona de diamante
- Cíncel plano
- Cíncel de desincrustación
- Cíncel de ranurado
- Adaptador de mandril
- Portabrocas adaptador sin llave
- Grasa para puntas
- Calibrador de profundidad
- Soplador
- Contenedor de polvo
- Juego contenedor de polvo
- Gafas de seguridad
- Maletín de transporte de plástico

NOTA: Algunos de los artículos en la lista pueden incluirse en el paquete de la herramienta como accesorios estándar. Éstos pueden variar de país a país.

GARANTÍA LIMITADA DE MAKITA

Ésta Garantía no aplica para México

Consulte la hoja de la garantía anexa para ver los términos más vigentes de la garantía aplicable a este producto. En caso de no disponer de esta hoja de garantía anexa, consulte los detalles sobre la garantía descritos en el sitio web de su país respectivo indicado a continuación.

Estados Unidos de América: www.makitatools.com

Canadá: www.makita.ca

Otros países: www.makita.com

< USA only >

WARNING

Some dust created by power sanding, sawing, grinding, drilling, and other construction activities contains chemicals known to the State of California to cause cancer, birth defects or other reproductive harm. Some examples of these chemicals are:

- lead from lead-based paints,
- crystalline silica from bricks and cement and other masonry products, and
- arsenic and chromium from chemically-treated lumber.

Your risk from these exposures varies, depending on how often you do this type of work. To reduce your exposure to these chemicals: work in a well ventilated area, and work with approved safety equipment, such as those dust masks that are specially designed to filter out microscopic particles.

< Sólo en los Estados Unidos >

ADVERTENCIA

Algunos polvos creados por el lijado, aserrado, esmerilado, taladrado y otras actividades de la construcción contienen sustancias químicas reconocidas por el Estado de California como causantes de cáncer, defectos de nacimiento y otros peligros de reproducción. Algunos ejemplos de estos productos químicos son:

- plomo de pinturas a base de plomo,
- sílice cristalino de ladrillos y cemento y otros productos de albañilería, y
- arsénico y cromo de maderas tratadas químicamente.

El riesgo al que se expone varía, dependiendo de la frecuencia con la que realice este tipo de trabajo. Para reducir la exposición a estos productos químicos: trabaje en un área bien ventilada y póngase el equipo de seguridad indicado, tal como las máscaras contra polvo que están especialmente diseñadas para filtrar partículas microscópicas.

Makita Corporation

3-11-8, Sumiyoshi-cho,
Anjo, Aichi 446-8502 Japan

www.makita.com

885675-941
HR2652-1
EN, FRCA, ESMX
20180710