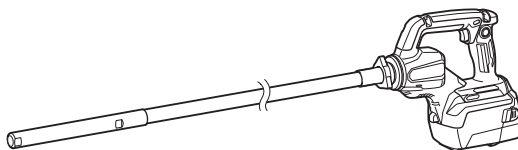


INSTRUCTION MANUAL
MANUEL D'INSTRUCTION
MANUAL DE INSTRUCCIONES



Cordless Concrete Vibrator Aiguille à Vibler le Béton sans-Fil Vibrador para Concreto Inalámbrico

VR001G
VR003G



IMPORTANT: Read Before Using.

IMPORTANT : Lire avant usage.

IMPORTANTE: Lea antes de usar.

SPECIFICATIONS

Model:		VR001G	VR003G
Vibrations per minute	Normal mode	12,000 /min	
	Power mode	15,500 /min	
Vibration head diameter		- * Supplied as optional accessories ø32 mm (ø1-1/4")	ø32 mm (ø1-1/4")
Flexible shaft lengths		- * Supplied as optional accessories 1.2 m - 2.4 m (3.9 ft - 7.9 ft)	1.2 m (3.9 ft)
Overall length (with battery BL4040)		282 mm (11-1/8") * ¹	1,495 mm (59") * ²
Rated voltage		D.C. 36 V - 40 V max	
Net weight		2.1 - 3.4 kg (4.6 - 7.5 lbs) * ¹	4.8 - 6.1 kg (10.6 - 13.5 lbs) * ²

*¹ without flexible shaft

*² with 1.2 m (3.9 ft) flexible shaft

- Due to our continuing program of research and development, the specifications herein are subject to change without notice.
- Specifications may differ from country to country.
- The weight may differ depending on the attachment(s), including the battery cartridge. The lightest and heaviest combination, according to EPTA-Procedure 01/2014, are shown in the table.

Applicable battery cartridge and charger

Battery cartridge	BL4020 / BL4025 / BL4040* / BL4050F* / BL4080F* * : Recommended battery
Charger	DC40RA / DC40RB / DC40RC

- Some of the battery cartridges and chargers listed above may not be available depending on your region of residence.

⚠WARNING: Only use the battery cartridges and chargers listed above. Use of any other battery cartridges and chargers may cause injury and/or fire.

Recommended cord connected power source

Portable power pack	PDC01 / PDC1200
---------------------	-----------------

- The cord connected power source(s) listed above may not be available depending on your region of residence.
- Before using the cord connected power source, read instruction and cautionary markings on them.

SAFETY WARNINGS

General power tool safety warnings

⚠WARNING: Read all safety warnings, instructions, illustrations and specifications provided with this power tool. Failure to follow all instructions listed below may result in electric shock, fire and/or serious injury.

Save all warnings and instructions for future reference.

The term "power tool" in the warnings refers to your mains-operated (corded) power tool or battery-operated (cordless) power tool.

Work area safety

1. **Keep work area clean and well lit.** Cluttered or dark areas invite accidents.
2. **Do not operate power tools in explosive atmospheres, such as in the presence of flammable liquids, gases or dust.** Power tools create sparks which may ignite the dust or fumes.
3. **Keep children and bystanders away while operating a power tool.** Distractions can cause you to lose control.

Electrical Safety

1. **Power tool plugs must match the outlet. Never modify the plug in any way. Do not use any adapter plugs with earthed (grounded) power tools.** Unmodified plugs and matching outlets will reduce risk of electric shock.

2. **Avoid body contact with earthed or grounded surfaces, such as pipes, radiators, ranges and refrigerators.** There is an increased risk of electric shock if your body is earthed or grounded.
3. **Do not expose power tools to rain or wet conditions.** Water entering a power tool will increase the risk of electric shock.
4. **Do not abuse the cord. Never use the cord for carrying, pulling or unplugging the power tool. Keep cord away from heat, oil, sharp edges or moving parts.** Damaged or entangled cords increase the risk of electric shock.
5. **When operating a power tool outdoors, use an extension cord suitable for outdoor use.** Use of a cord suitable for outdoor use reduces the risk of electric shock.
6. **If operating a power tool in a damp location is unavoidable, use a ground fault circuit interrupter (GFCI) protected supply.** Use of a GFCI reduces the risk of electric shock.
7. **Power tools can produce electromagnetic fields (EMF) that are not harmful to the user.** However, users of pacemakers and other similar medical devices should contact the maker of their device and/or doctor for advice before operating this power tool.

Personal Safety

1. **Stay alert, watch what you are doing and use common sense when operating a power tool. Do not use a power tool while you are tired or under the influence of drugs, alcohol or medication.** A moment of inattention while operating power tools may result in serious personal injury.
2. **Use personal protective equipment. Always wear eye protection.** Protective equipment such as dust mask, non-skid safety shoes, hard hat, or hearing protection used for appropriate conditions will reduce personal injuries.
3. **Prevent unintentional starting. Ensure the switch is in the off-position before connecting to power source and/or battery pack, picking up or carrying the tool.** Carrying power tools with your finger on the switch or energising power tools that have the switch on invites accidents.
4. **Remove any adjusting key or wrench before turning the power tool on.** A wrench or a key left attached to a rotating part of the power tool may result in personal injury.
5. **Do not overreach. Keep proper footing and balance at all times.** This enables better control of the power tool in unexpected situations.
6. **Dress properly. Do not wear loose clothing or jewellery. Keep your hair, clothing and gloves away from moving parts.** Loose clothes, jewellery or long hair can be caught in moving parts.
7. **If devices are provided for the connection of dust extraction and collection facilities, ensure these are connected and properly used.** Use of dust collection can reduce dust-related hazards.
8. **Do not let familiarity gained from frequent use of tools allow you to become complacent and ignore tool safety principles.** A careless action can cause severe injury within a fraction of a second.

9. **Always wear protective goggles to protect your eyes from injury when using power tools. The goggles must comply with ANSI Z87.1 in the USA. It is an employer's responsibility to enforce the use of appropriate safety protective equipment by the tool operators and by other persons in the immediate working area.**

Power tool use and care

1. **Do not force the power tool. Use the correct power tool for your application.** The correct power tool will do the job better and safer at the rate for which it was designed.
2. **Do not use the power tool if the switch does not turn it on and off.** Any power tool that cannot be controlled with the switch is dangerous and must be repaired.
3. **Disconnect the plug from the power source and/or remove the battery pack, if detachable, from the power tool before making any adjustments, changing accessories, or storing power tools.** Such preventive safety measures reduce the risk of starting the power tool accidentally.
4. **Store idle power tools out of the reach of children and do not allow persons unfamiliar with the power tool or these instructions to operate the power tool.** Power tools are dangerous in the hands of untrained users.
5. **Maintain power tools and accessories. Check for misalignment or binding of moving parts, breakage of parts and any other condition that may affect the power tool's operation. If damaged, have the power tool repaired before use.** Many accidents are caused by poorly maintained power tools.
6. **Keep cutting tools sharp and clean.** Properly maintained cutting tools with sharp cutting edges are less likely to bind and are easier to control.
7. **Use the power tool, accessories and tool bits etc. in accordance with these instructions, taking into account the working conditions and the work to be performed.** Use of the power tool for operations different from those intended could result in a hazardous situation.
8. **Keep handles and grasping surfaces dry, clean and free from oil and grease.** Slippery handles and grasping surfaces do not allow for safe handling and control of the tool in unexpected situations.
9. **When using the tool, do not wear cloth work gloves which may be entangled.** The entanglement of cloth work gloves in the moving parts may result in personal injury.

Battery tool use and care

1. **Recharge only with the charger specified by the manufacturer.** A charger that is suitable for one type of battery pack may create a risk of fire when used with another battery pack.
2. **Use power tools only with specifically designated battery packs.** Use of any other battery packs may create a risk of injury and fire.
3. **When battery pack is not in use, keep it away from other metal objects, like paper clips, coins, keys, nails, screws or other small metal objects, that can make a connection from one terminal to another.** Shorting the battery terminals together may cause burns or a fire.

4. **Under abusive conditions, liquid may be ejected from the battery; avoid contact. If contact accidentally occurs, flush with water. If liquid contacts eyes, additionally seek medical help.** Liquid ejected from the battery may cause irritation or burns.
5. **Do not use a battery pack or tool that is damaged or modified.** Damaged or modified batteries may exhibit unpredictable behaviour resulting in fire, explosion or risk of injury.
6. **Do not expose a battery pack or tool to fire or excessive temperature.** Exposure to fire or temperature above 130 °C may cause explosion.
7. **Follow all charging instructions and do not charge the battery pack or tool outside the temperature range specified in the instructions.** Charging improperly or at temperatures outside the specified range may damage the battery and increase the risk of fire.
12. **After operating the tool, switch off the tool and wait until the vibration of the flexible shaft stops completely before putting down the tool.**
13. **After operating the tool, do not touch the vibrating part as it may be extremely hot and could burn your skin.**
14. **Do not operate the tool outside of concrete.** The vibrating part is cooled down by inserting the vibrating part into concrete.
15. **If the power is cut off due to power failure or the disconnection of power plug, set the switch to the off position.**

SAVE THESE INSTRUCTIONS.

⚠WARNING: DO NOT let comfort or familiarity with product (gained from repeated use) replace strict adherence to safety rules for the subject product. MISUSE or failure to follow the safety rules stated in this instruction manual may cause serious personal injury.

Service

1. **Have your power tool serviced by a qualified repair person using only identical replacement parts.** This will ensure that the safety of the power tool is maintained.
2. **Never service damaged battery packs.** Service of battery packs should only be performed by the manufacturer or authorized service providers.
3. **Follow instruction for lubricating and changing accessories.**
4. **Do not modify or attempt to repair the appliance or the battery pack except as indicated in the instructions for use and care.**

Cordless concrete vibrator safety warnings

1. **Always keep your hands and face away from vibrating head when operating.**
2. **Switch off the tool immediately if you notice abnormal noise or something faulty during operation.**
3. **Inspect the tool carefully for breakage, cracks or deformation if you accidentally drop it or strike it against something.**
4. **Do not carry the tool with finger on switch.**
5. **Do not set the tool down and switch it on. The vibrating head may whip around out of control and cause an accident.**
6. **Be careful not to allow water, wet concrete or the like to get into the tool. Do not let the tool fall into wet concrete.**
7. **Insert the vibrating head carefully between iron/steel frames or reinforcing rods not to come in contact with them.**
8. **Do not crush or twist the flexible hose.**
9. **Do not overly bend the flexible hose.**
10. **Use a wet cloth or the like to carefully wipe off any wet concrete left on the tool after use. Extra care should be given to thorough cleaning of the vents, switch area, cover openings, etc.**
11. **Do not use the tool in the rain. Do not clean the tool in water.**

Symbols

The followings show the symbols used for tool.

V	volts
— — —	direct current
n ₀	no load speed
... /min r /min	revolutions or reciprocation per minute

Important safety instructions for battery cartridge

1. **Before using battery cartridge, read all instructions and cautionary markings on (1) battery charger, (2) battery, and (3) product using battery.**
2. **Do not disassemble or tamper with the battery cartridge.** It may result in a fire, excessive heat, or explosion.
3. **If operating time has become excessively shorter, stop operating immediately. It may result in a risk of overheating, possible burns and even an explosion.**
4. **If electrolyte gets into your eyes, rinse them out with clear water and seek medical attention right away. It may result in loss of your eyesight.**
5. **Do not short the battery cartridge:**
 - (1) **Do not touch the terminals with any conductive material.**
 - (2) **Avoid storing battery cartridge in a container with other metal objects such as nails, coins, etc.**
 - (3) **Do not expose battery cartridge to water or rain.**

A battery short can cause a large current flow, overheating, possible burns and even a breakdown.

- Do not store and use the tool and battery cartridge in locations where the temperature may reach or exceed 50 °C (122 °F).
- Do not incinerate the battery cartridge even if it is severely damaged or is completely worn out. The battery cartridge can explode in a fire.
- Do not nail, cut, crush, throw, drop the battery cartridge, or hit against a hard object to the battery cartridge. Such conduct may result in a fire, excessive heat, or explosion.
- Do not use a damaged battery.
- The contained lithium-ion batteries are subject to the Dangerous Goods Legislation requirements.
For commercial transports e.g. by third parties, forwarding agents, special requirement on packaging and labeling must be observed.
For preparation of the item being shipped, consulting an expert for hazardous material is required.
Please also observe possibly more detailed national regulations.
Tape or mask off open contacts and pack up the battery in such a manner that it cannot move around in the packaging.
- When disposing of the battery cartridge, remove it from the tool and dispose of it in a safe place. Follow your local regulations relating to disposal of battery.
- Use the batteries only with the products specified by Makita. Installing the batteries to non-compliant products may result in a fire, excessive heat, explosion, or leak of electrolyte.
- If the tool is not used for a long period of time, the battery must be removed from the tool.
- During and after use, the battery cartridge may take on heat which can cause burns or low temperature burns. Pay attention to the handling of hot battery cartridges.
- Do not touch the terminal of the tool immediately after use as it may get hot enough to cause burns.
- Do not allow chips, dust, or soil stuck into the terminals, holes, and grooves of the battery cartridge. It may cause heating, catching fire, burst and malfunction of the tool or battery cartridge, resulting in burns or personal injury.
- Unless the tool supports the use near high-voltage electrical power lines, do not use the battery cartridge near a high-voltage electrical power lines. It may result in a malfunction or breakdown of the tool or battery cartridge.
- Keep the battery away from children.

SAVE THESE INSTRUCTIONS.

CAUTION: Only use genuine Makita batteries. Use of non-genuine Makita batteries, or batteries that have been altered, may result in the battery bursting causing fires, personal injury and damage. It will also void the Makita warranty for the Makita tool and charger.

Tips for maintaining maximum battery life

- Charge the battery cartridge before completely discharged. Always stop tool operation and charge the battery cartridge when you notice less tool power.
- Never recharge a fully charged battery cartridge. Overcharging shortens the battery service life.
- Charge the battery cartridge with room temperature at 10 °C - 40 °C (50 °F - 104 °F). Let a hot battery cartridge cool down before charging it.
- When not using the battery cartridge, remove it from the tool or the charger.
- Charge the battery cartridge if you do not use it for a long period (more than six months).

FUNCTIONAL DESCRIPTION

CAUTION: Always be sure that the tool is switched off and the battery cartridge is removed before adjusting or checking function on the tool.

Replacing battery case

Optional accessory

Install one of the battery cases optionally available in three ranges of sizes to fit your battery cartridge and cord connected power source.

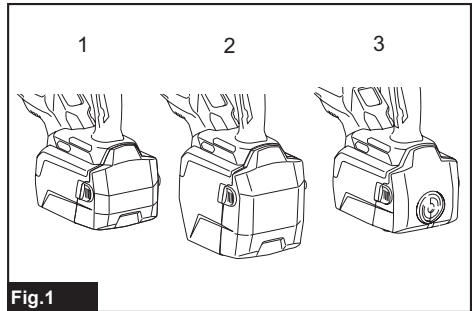


Fig.1

- Battery case S (standard equipped battery case)
- Battery case L
- Battery case H

- Open the standard equipped battery case while pressing the buttons on sides of the case.

- Loosen the screws securing the standard equipped battery case, and slide the battery case off along the housing.

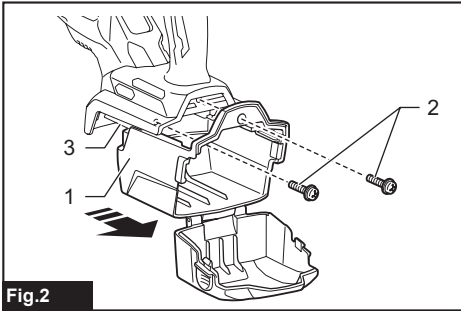


Fig.2

- Standard equipped battery case 2. Screws 3. Housing

- Slide an optional battery case into the tool. Open the case while pressing the buttons on sides of the case. Then tighten the screws to secure it in place.

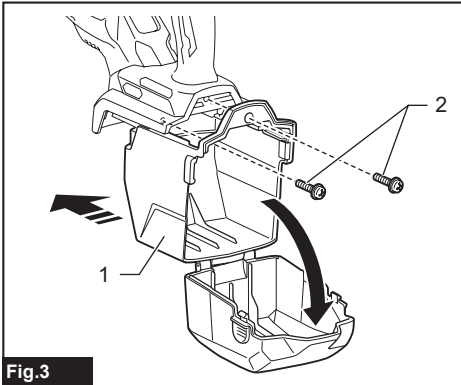


Fig.3

- Optional battery case 2. Screws

- Close the battery case securely.

Installing and removing battery cartridge

CAUTION: Before installing and removing battery cartridge, always make sure to set the switch trigger back into the "OFF" position by pulling the switch trigger fully and releasing it.

CAUTION: Hold the tool and the battery cartridge firmly when installing or removing battery cartridge.

Failure to hold the tool and the battery cartridge firmly may cause them to slip off your hands and result in damage to the tool and battery cartridge and a personal injury.

CAUTION: Always install the battery cartridge fully until the red indicator cannot be seen. If not, it may accidentally fall out of the tool, causing injury to you or someone around you.

CAUTION: Do not install the battery cartridge forcibly. If the cartridge does not slide in easily, it is not being inserted correctly.

CAUTION: Take care not to trap your fingers between the battery case and its front cover while installing and removing battery cartridge.

Installation

- Open the battery case while pressing the buttons on sides of the battery case.

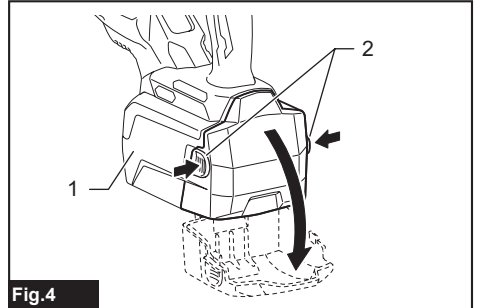


Fig.4

- Battery case 2. Buttons

- Insert a battery cartridge in place aligning its tongue with the groove on the tool. If you can see the red indicator as shown in the figure, it is not locked completely.

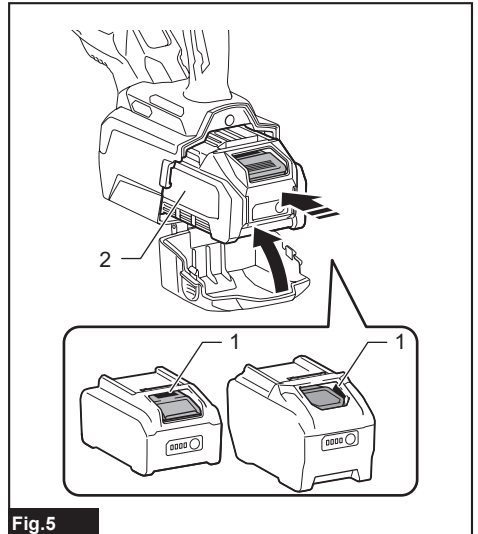


Fig.5

- Red indicator 2. Battery cartridge

- Close the battery case securely.

Uninstallation

1. Open the battery case while pressing the buttons on sides of the battery case.
2. Slide the battery cartridge off from the tool while pressing the button on front of the battery cartridge.

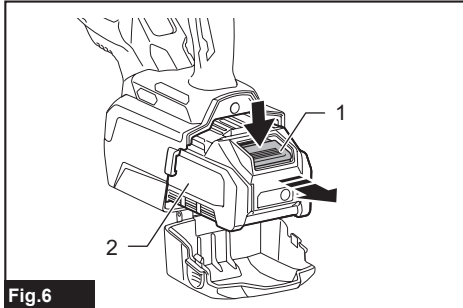


Fig.6

- 1. Button 2. Battery cartridge

3. Close the battery case securely.

For cord connected power source

Optional accessory

Replace the standard equipped battery case with an optional battery case H before installation.

Installation

1. Open the battery case while pressing the buttons on sides of the battery case.
2. Insert a battery adapter in place aligning its tongue with the groove on the tool. If you can see the red indicator as shown in the figure, it is not locked completely.

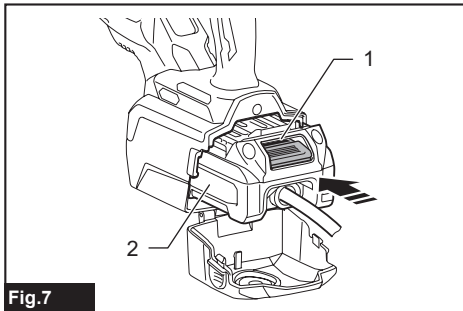


Fig.7

- 1. Red indicator 2. Battery adapter

3. Open the rubber sealing grommet in the battery case.

Make sure to squeeze the rubber sealing grommet out of the round hole rim from inside the front cover of the case.

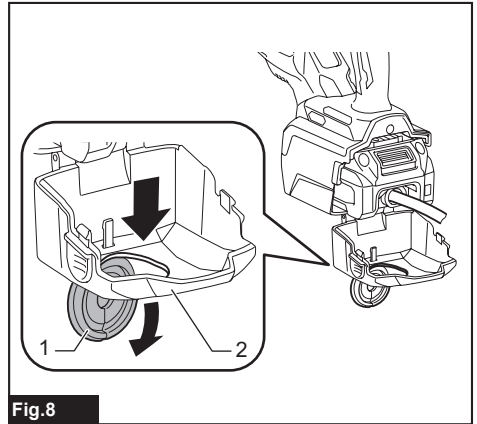


Fig.8

- 1. Rubber sealing grommet 2. Front cover

4. Pass the adapter plug and plug cord through the round hole in the battery case.

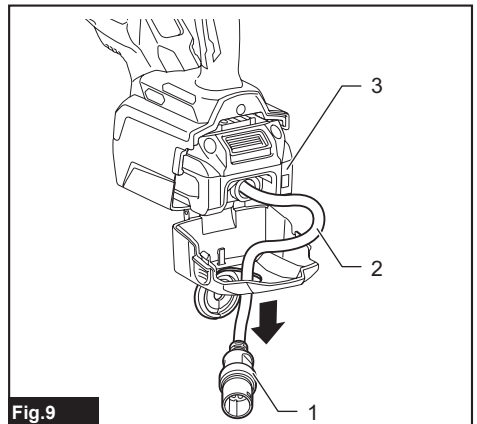


Fig.9

- 1. Adapter plug 2. Plug cord 3. Battery adapter

5. Close the battery case securely.
6. Place the rubber sealing grommet back in place.

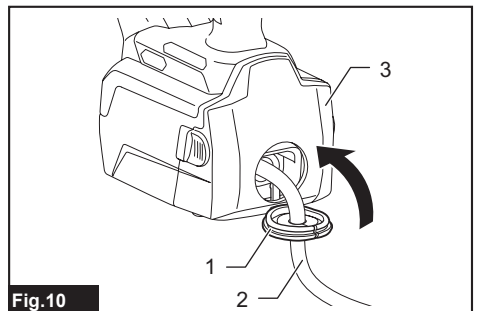


Fig.10

- 1. Rubber sealing grommet 2. Plug cord 3. Battery case

Uninstallation

1. Open the battery case while pressing the buttons on sides of the battery case.
2. Open the rubber sealing grommet in the battery case.

Make sure to squeeze the rubber sealing grommet out of the round hole rim from inside the front cover of the case.

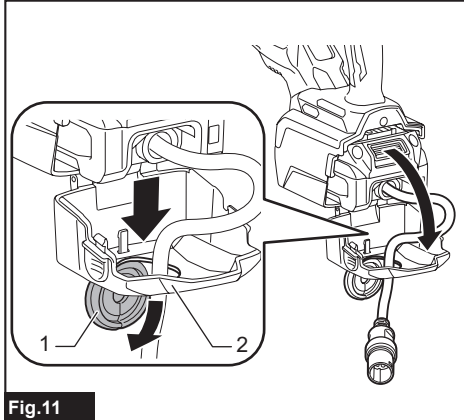


Fig.11

- 1. Rubber sealing grommet 2. Front cover

3. Pull the adapter plug and plug cord out through the round hole in the battery case.
4. Slide the battery adapter off from the tool while pressing the button on front of the battery adapter.
5. Close the battery case securely.

Indicating the remaining battery capacity

Press the check button on the battery cartridge to indicate the remaining battery capacity. The indicator lamps light up for a few seconds.

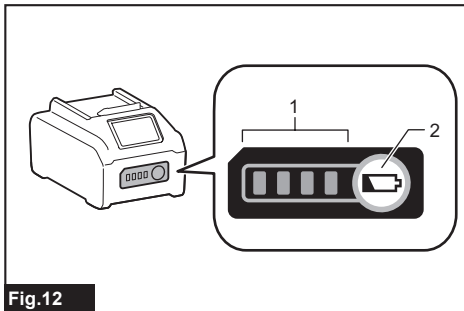


Fig.12

- 1. Indicator lamps 2. Check button

Indicator lamps			Remaining capacity
Lighted	Off	Blinking	
■ ■ ■ ■			75% to 100%
■ ■ ■ □			50% to 75%
■ ■ □ □			25% to 50%
■ □ □ □			0% to 25%
▬ □ □ □			Charge the battery.
■ ■ □ □			The battery may have malfunctioned.
□ □ ■ ■			

NOTE: Depending on the conditions of use and the ambient temperature, the indication may differ slightly from the actual capacity.

NOTE: The first (far left) indicator lamp will blink when the battery protection system works.

Tool / battery protection system

The tool is equipped with a tool/battery protection system. This system automatically cuts off power to the motor to extend tool and battery life. The tool will automatically stop during operation if the tool or battery is placed under one of the following conditions:

Overload protection

When the tool or battery is operated in a manner that causes it to draw an abnormally high current, the tool stops automatically. In this situation, turn the tool off and stop the application that caused the tool to become overloaded. Then turn the tool on to restart.

NOTE: If the tool does not restart smoothly, cease operation for a period longer than one minute, or remove the battery cartridge from the tool and place it back in the tool before a restart.

Overheat protection

When the tool or battery is overheated, the tool stops automatically. In this case, let the tool and battery cool before turning the tool on again.

Overdischarge protection

When the battery capacity is not enough, the tool stops automatically. In this case, remove the battery from the tool and charge the battery.

Protections against other causes

Protection system is also designed for other causes that could damage the tool and allows the tool to stop automatically. Take all the following steps to clear the causes, when the tool has been brought to a temporary halt or stop in operation.

1. Turn the tool off, and then turn it on again to restart.
2. Charge the battery(ies) or replace it/them with recharged battery(ies).
3. Let the tool and battery(ies) cool down.


If no improvement can be found by restoring protection system, then contact your local Makita Service Center.



Switch action

⚠ CAUTION: Before installing the battery cartridge into the tool, always make sure that the switch trigger actuates properly and returns to the "OFF" position by fully pulling and releasing it.

⚠ CAUTION: Switch can be locked in "ON" position for ease of operator comfort during extended use. Apply caution when locking tool in "ON" position and maintain firm grasp on tool.

⚠ CAUTION: Do not install the battery cartridge with the lock button engaged.

⚠ CAUTION: When not operating the tool, depress the trigger-lock button from  side to lock the switch trigger in the OFF position.

To prevent the switch trigger from accidentally pulled, the trigger-lock button is provided. To start the tool, depress the trigger-lock button from A  side and pull the switch trigger. Release the switch trigger to stop. After use, depress the trigger-lock button from B  side.

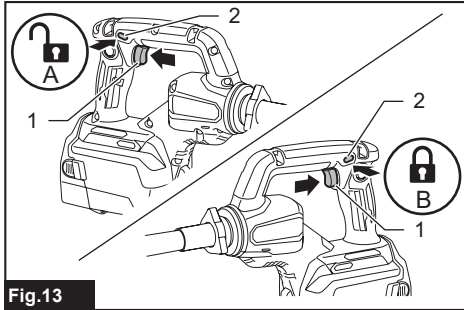


Fig.13
▶ 1. Switch trigger 2. Trigger-lock button

For continuous operation, depress the lock button while pulling the switch trigger, and then release the switch trigger. To stop the tool, pull the switch trigger fully, then release it.

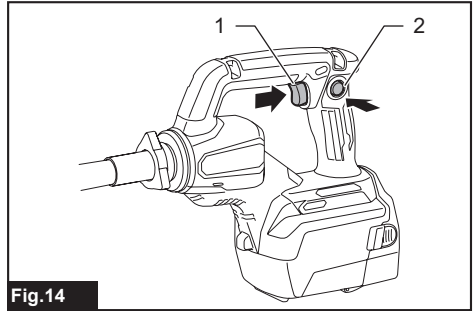


Fig.14
▶ 1. Switch trigger 2. Lock button

Mode selector

The speed (frequency) of vibrations can be changed in two levels using the mode selector. Press the mode button to toggle the vibrations in normal mode (1) and power mode (2). Either of the two indicators for the mode you select lights up.

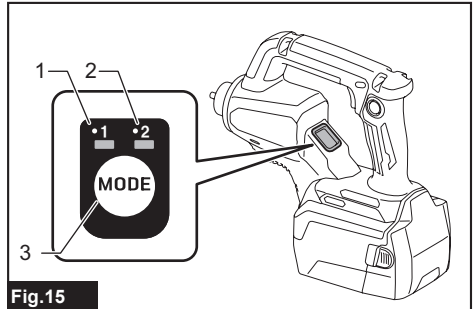




Fig.15
▶ 1. Normal mode indicator (1) 2. Power mode indicator (2) 3. Mode button

Mode (Indication number)	Vibrations per minute	Application
 Normal mode (1)	12,000 /min	For formwork and surface vibrating operations; Commonly used in precast concrete construction, small pours that require a minimal amount of vibration, patching and repairing work with precise operation.
 Power mode (2)	15,500 /min	For vibrations at larger pours; Ideal for pours with a greater surface area, such as construction joints, slab consolidation, where the operator moves around to cover the entire area.

NOTE: The mode you select will be saved automatically when the tool is powered off. The tool restarts in the same mode as it previously used when turned on again.

NOTE: When the battery protection system works, the mode indicators turn off.

NOTE: When the remaining battery capacity becomes low, either of the two indicators for the mode you are currently using will blink. The timing, at which the lamp starts blinking depends on the temperature at work place and the battery cartridge conditions.

Accidental restart preventive function

If you install the battery cartridge while pulling the switch trigger, the tool does not start. To start the tool, release the switch trigger, and then pull the switch trigger again. When the lock button is engaged, pull the switch trigger fully and release it to exit the lock. Then pull the switch trigger again.

Electronic function

The tool is equipped with the following electronic function for easy operation.

Constant speed control

Possible to perform a stable operation, because the speed (frequency) of vibrations is kept constant even under the loaded condition.

ASSEMBLY

CAUTION: Always be sure that the tool is switched off and the battery cartridge is removed before carrying out any work on the tool.

Installing and removing flexible shaft

Optional accessory

Installation

1. Pull the flexible core shaft reasonably straight out of the outer casing.

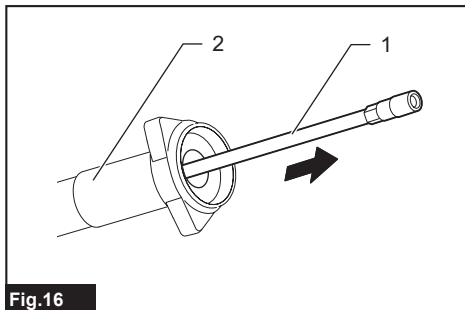


Fig.16

► 1. Flexible core shaft 2. Outer casing

2. Hold the drive shaft in the tool still using the wrench provided. Then hand thread the end fitting of the flexible core shaft onto the solid drive shaft in the tool.

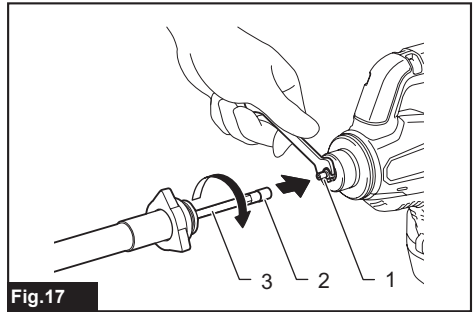


Fig.17

► 1. Drive shaft 2. End fitting 3. Flexible core shaft

3. Fasten the end fitting of the flexible core shaft up tightly using a pair of pliers.

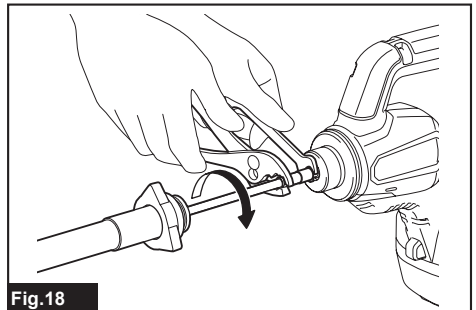


Fig.18

4. Hand thread the coupling of the outer casing onto the male thread of the tool.

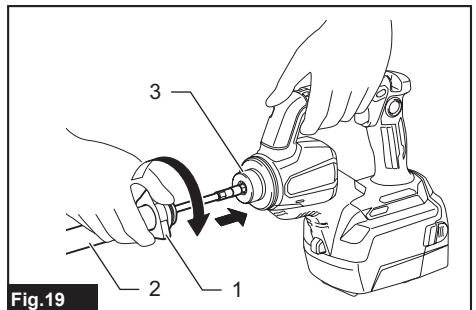


Fig.19

► 1. Coupling 2. Outer casing 3. Male thread

If the coupling does not reach or fit securely onto the male thread of the tool, especially when installing a long flexible shaft, pull the outer casing further towards the tool while hand-turning the flexible core shaft so the shaft top well fits into the shaft slot in the vibration head and becomes fully engaged.

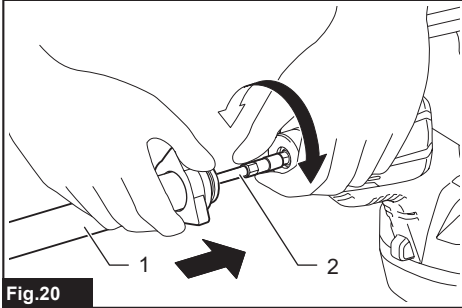


Fig.20

► 1. Outer casing 2. Flexible core shaft

5. Knock each of the three corners of triangular coupling with a hammer a few times in random order to secure assembly.

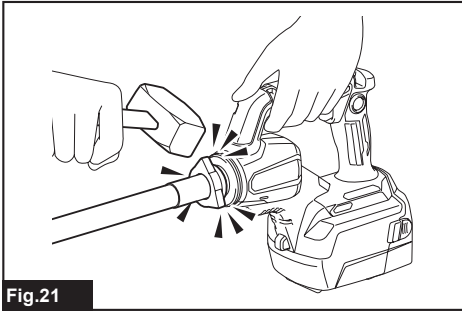


Fig.21

Uninstallation

Follow the installation steps in reverse order.

Installing shoulder strap

Optional accessory

⚠WARNING: Always remove the shoulder strap from the tool while wearing portable power packs. Wearing multiple harnesses and straps may impair the chances to take the equipment off quickly in a case of emergency and result in personal injury.

⚠WARNING: Do not use the parts for attaching the shoulder strap for other purposes, such as the fall prevention at high location. If the parts for attaching the shoulder strap are used for other purposes, excessive load may break them and cause serious injury to the operator and person around/ underneath the operator.

⚠CAUTION: Be sure to attach the hooks of the shoulder strap to the tool securely. If the hooks are attached incompletely, they may come off and cause injury.

⚠CAUTION: Be sure to use the shoulder strap dedicated to this tool. Using other shoulder strap may cause an injury.

Hang the hooks of the shoulder strap over the hanging holes on top of the tool.

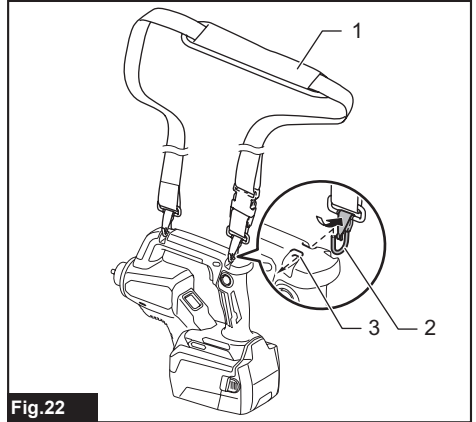


Fig.22

► 1. Shoulder strap 2. Hook 3. Hanging hole

OPERATION

⚠CAUTION: Put the shoulder strap on the shoulder, and hold the tool firmly with both hands.

NOTICE: At the very beginning of operation, the flexible shaft tends to vibrate at a higher amplitude. The tool will restore the normal amplitude after you squeeze and release the switch trigger a few times repeatedly.

Make sure to throw in and keep the vibration head stand straight during operation. Use the tool within the effective vibration ranges at equidistant intervals. The effective air bubble removal range is approximately ten times the diameter of vibration head.

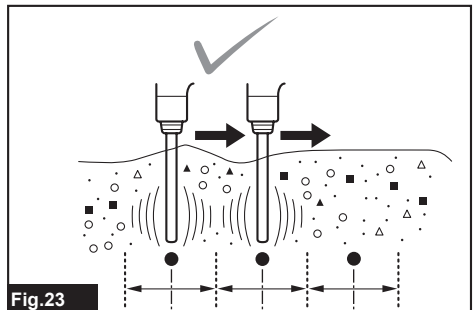


Fig.23

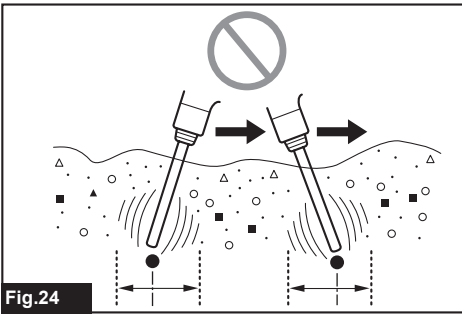


Fig. 24

NOTICE: Do not use the tool to move concrete in the formwork. The mortar will just move away and the coarse aggregate will remain, causing segregation.

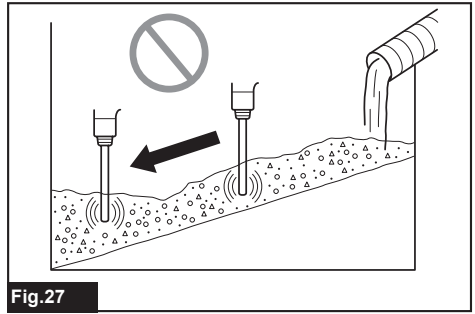


Fig. 27

NOTE: Vibrating too long in a single place causes concrete segregation.

NOTE: When the coarse aggregate segregates when placing concrete, shovel out the coarse aggregate and put it where there is plenty of mortar. Then use the tool on it. Don't leave coarse aggregate in the segregated condition.



Fig. 25

Effective leveling and removal of air bubbles

Removal of the air bubbles is complete after you have worked the tool throughout each effective range, the concrete stops shrinking, and the mortar has risen evenly to the surface, giving off a light appearance. Gently remove the operating tool not to leave holes.

When using the tool on slope, always operate it from the bottom at the beginning. If you operate the tool from the top, the mortar will separate and eventually slide to the bottom.

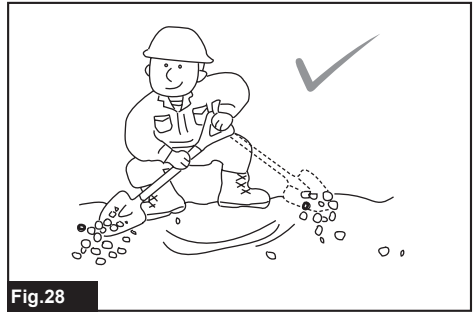


Fig. 28

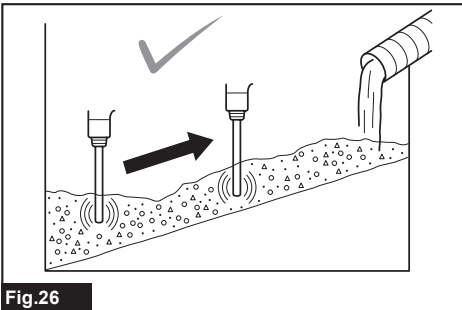


Fig. 26

MAINTENANCE

CAUTION: Always be sure that the tool is switched off and the battery cartridge is removed before attempting to perform inspection or maintenance.

NOTICE: Never use gasoline, benzine, thinner, alcohol or the like. Discoloration, deformation or cracks may result.

NOTICE: Avoid cleaning the tool in water. Water will get into the motor housing and cause motor failure.

NOTICE: Use a wet cloth or the like to carefully wipe off any wet concrete left on the tool after use. Extra care should be given to thorough cleaning of the vents, switch area, cover openings, etc.

To maintain product SAFETY and RELIABILITY, repairs, any other maintenance or adjustment should be performed by Makita Authorized or Factory Service Centers, always using Makita replacement parts.

OPTIONAL ACCESSORIES

⚠ CAUTION: These accessories or attachments are recommended for use with your Makita tool specified in this manual. The use of any other accessories or attachments might present a risk of injury to persons. Only use accessory or attachment for its stated purpose.

If you need any assistance for more details regarding these accessories, ask your local Makita Service Center.

- $\varnothing 32$ mm x 1.2 m ($\varnothing 1\text{-}1/4$ " x 3.9 ft) flexible shaft
- $\varnothing 32$ mm x 1.7 m ($\varnothing 1\text{-}1/4$ " x 5.6 ft) flexible shaft
- $\varnothing 32$ mm x 2.4 m ($\varnothing 1\text{-}1/4$ " x 7.9 ft) flexible shaft
- Battery case L
- Battery case H
- Shoulder strap
- Makita genuine battery and charger

NOTE: Some items in the list may be included in the tool package as standard accessories. They may differ from country to country.

MAKITA LIMITED WARRANTY

Please refer to the annexed warranty sheet for the most current warranty terms applicable to this product. If annexed warranty sheet is not available, refer to the warranty details set forth at below website for your respective country.

United States of America: www.makitatools.com

Canada: www.makita.ca

Other countries: www.makita.com

SPÉCIFICATIONS

Modèle :		VR001G	VR003G
Vibrations par minute	Mode normal	12 000 /min	
	Mode d'alimentation	15 500 /min	
Diamètre de tête vibrante		- * Fournie comme accessoire en option ø32 mm (ø1-1/4")	ø32 mm (ø1-1/4")
Longueur de l'arbre flexible		- * Fourni comme accessoire en option 1,2 m - 2,4 m (3,9 ft - 7,9 ft)	1,2 m (3,9 ft)
Longueur totale (avec batterie BL4040)		282 mm (11-1/8") *1	1 495 mm (59") *2
Tension nominale		C.C. 36 V - 40 V max.	
Poids net		2,1 - 3,4 kg (4,6 - 7,5 lbs) *1	4,8 - 6,1 kg (10,6 - 13,5 lbs) *2

*1 sans arbre flexible

*2 avec arbre flexible de 1,2 m (3,9 ft)

- Étant donné l'évolution constante de notre programme de recherche et développement, les spécifications contenues dans ce manuel sont sujettes à modification sans préavis.
- Les spécifications peuvent varier suivant les pays.
- Le poids peut varier selon les accessoires, y compris la batterie. La plus légère et la plus lourde combinaisons, selon la procédure EPTA 01/2014, sont indiquées dans le tableau.

Batteries et chargeurs applicables

Batterie	BL4020 / BL4025 / BL4040* / BL4050F* / BL4080F* * : Batterie recommandée
Chargeur	DC40RA / DC40RB / DC40RC

- Suivant la région où vous habitez, il se peut que certaines des batteries et certains des chargeurs énumérés ci-dessus ne soient pas disponibles.

⚠ MISE EN GARDE : Utilisez exclusivement les batteries et chargeurs énumérés ci-dessus. L'utilisation de toute autre batterie ou tout autre chargeur peut entraîner une blessure et/ou un incendie.

Source d'alimentation connectée au cordon recommandée

Support d'alimentation portable	PDC01 / PDC1200
---------------------------------	-----------------

- Suivant la région où vous habitez, il se peut que la ou les sources d'alimentation connectées au cordon énumérées ci-dessus ne soient pas disponibles.
- Avant d'utiliser la source d'alimentation connectée au cordon, lisez les instructions et indications de mise en garde qui se trouvent sur celle-ci.

CONSIGNES DE SÉCURITÉ

Consignes de sécurité générales pour outils électriques

⚠ MISE EN GARDE : Lisez toutes les mises en garde, instructions, illustrations et spécifications qui accompagnent cet outil électrique. Il y a risque de décharge électrique, d'incendie et/ou de blessure grave si les instructions ci-dessous ne sont pas toutes respectées.

Conservez toutes les mises en garde et instructions pour référence future.

Le terme « outil électrique » qui figure dans les avertissements fait référence à un outil électrique branché sur une prise de courant (par un cordon d'alimentation) ou alimenté par batterie (sans fil).

Sécurité de la zone de travail

1. **Maintenez la zone de travail propre et bien éclairée.** Les zones de travail encombrées ou sombres ouvrent grande la porte aux accidents.

2. **N'utilisez pas les outils électriques dans les atmosphères explosives, par exemple en présence de liquides, gaz ou poussières inflammables.** Les outils électriques produisent des étincelles au contact desquelles la poussière ou les vapeurs peuvent s'enflammer.
3. **Assurez-vous qu'aucun enfant ou curieux ne s'approche pendant que vous utilisez un outil électrique.** Vous risquez de perdre la maîtrise de l'outil si votre attention est détournée.
3. **Évitez les démarrages accidentels. Assurez-vous que l'interrupteur est en position d'arrêt avant de brancher l'outil à la prise de courant et/ou au bloc-piles, et avant de prendre ou de transporter l'outil.** Vous ouvrez la porte aux accidents si vous transportez les outils électriques avec le doigt sur l'interrupteur ou si vous les branchez alors que l'interrupteur est en position de marche.

Sécurité en matière d'électricité

1. **Les fiches d'outil électrique sont conçues pour s'adapter parfaitement aux prises de courant. Ne modifiez jamais la fiche de quelque façon que ce soit. N'utilisez aucun adaptateur de fiche sur les outils électriques avec mise à la terre.** En ne modifiant pas les fiches et en les insérant dans des prises de courant pour lesquelles elles ont été conçues, vous réduirez les risques de choc électrique.
2. **Évitez tout contact corporel avec les surfaces mises à la terre, telles que tuyaux, radiateurs, cuisinières et réfrigérateurs.** Le risque de choc électrique est plus élevé si votre corps se trouve mis à la terre.
3. **N'exposez pas les outils électriques à la pluie ou à l'eau.** La présence d'eau dans un outil électrique augmente le risque de choc électrique.
4. **Ne maltraitez pas le cordon. N'utilisez jamais le cordon pour transporter, tirer ou débrancher l'outil électrique. Maintenez le cordon à l'écart des sources de chaleur, de l'huile, des objets à bords tranchants et des pièces en mouvement.** Le risque de choc électrique est plus élevé lorsque les cordons sont endommagés ou enchevêtrés.
5. **Lorsque vous utilisez un outil électrique à l'extérieur, utilisez un cordon prolongateur conçu pour l'usage extérieur.** Les risques de choc électrique est moindre lorsqu'un cordon conçu pour l'usage extérieur est utilisé.
6. **Si vous devez utiliser un outil électrique dans un endroit humide, utilisez une source d'alimentation protégée par un disjoncteur de fuite à la terre.** L'utilisation d'un disjoncteur de fuite à la terre réduit le risque de choc électrique.
7. **Les outils électriques peuvent produire des champs électromagnétiques (CEM) qui ne sont pas préjudiciables à l'utilisateur.** Les utilisateurs de stimulateur cardiaque ou autres appareils médicaux similaires doivent toutefois demander conseil au fabricant et/ou à leur médecin avant d'utiliser cet outil électrique.
4. **Retirez toute clé de réglage ou de serrage avant de mettre l'outil électrique sous tension.** Toute clé laissée en place sur une pièce rotative de l'outil électrique peut entraîner une blessure.
5. **Ne vous étirez pas exagérément. Assurez-vous d'une bonne prise au sol et d'un bon équilibre en tout temps.** Cela vous permettra d'avoir une meilleure maîtrise de l'outil électrique dans les situations imprévues.
6. **Portez des vêtements adéquats. Ne portez ni vêtements amples ni bijoux. Gardez vos cheveux, vêtements et gants à l'écart des pièces en mouvement.** Les vêtements amples, bijoux ou cheveux longs peuvent être happés par les pièces en mouvement.
7. **Si des accessoires sont fournis pour raccorder un appareil d'aspiration et de collecte de la poussière, assurez-vous qu'ils sont correctement raccordés et qu'ils sont utilisés de manière adéquate.** L'utilisation d'un appareil de collecte permet de réduire les risques liés à la présence de poussière dans l'air.
8. **Évitez d'être complaisant et d'ignorer les principes de sécurité de l'outil en raison de la familiarité acquise par un usage fréquent des outils.** Un geste imprudent peut entraîner une grave blessure en une fraction de seconde.
9. **Portez toujours des lunettes à coques de protection pour protéger vos yeux contre les blessures lors de l'utilisation d'outils électriques. Les lunettes à coques doivent être conformes à ANSI Z87.1 aux États-Unis.** L'employeur a la responsabilité d'imposer l'utilisation d'équipements de protection de sécurité adéquats aux utilisateurs des outils électriques et à toute autre personne se trouvant dans la zone de travail immédiate.

Utilisation et entretien des outils électriques

1. **Ne forcez pas l'outil électrique. Utilisez l'outil électrique adéquat suivant le type de travail à effectuer.** Si vous utilisez l'outil électrique adéquat et respectez le régime pour lequel il a été conçu, il effectuera un travail de meilleure qualité et plus sécuritaire.
 2. **N'utilisez pas l'outil électrique s'il n'est pas possible de l'allumer et de l'éteindre avec son interrupteur.** Un outil électrique dont l'interrupteur est défectueux représente un danger et doit être réparé.
 3. **Avant d'effectuer tout réglage, de remplacer un accessoire ou de ranger l'outil électrique, débranchez la fiche de la source d'alimentation et/ou retirez la batterie de l'outil électrique si elle est amovible.** Ces mesures préventives de sécurité réduisent les risques de démarrage accidentel de l'outil électrique.
- #### Sécurité personnelle
1. **Restez alerte, attentif à vos mouvements et faites preuve de bon sens lorsque vous utilisez un outil électrique. N'utilisez pas les outils électriques si vous êtes fatigué ou avez pris une drogue, de l'alcool ou un médicament.** Un moment d'inattention pendant l'utilisation d'un outil électrique peut entraîner une grave blessure.
 2. **Portez des dispositifs de protection personnelle. Portez toujours une protection oculaire.** Les risques de blessure seront moins élevés si vous utilisez des dispositifs de protection tels qu'un masque anti-poussière, des chaussures à semelle antidérapante, une coiffure résistante ou une protection d'oreilles.

4. **Après l'utilisation d'un outil électrique, rangez-le hors de portée des enfants et ne laissez aucune personne l'utiliser si elle n'est pas familiarisée avec l'outil électrique ou les présentes instructions d'utilisation.** Les outils électriques représentent un danger entre les mains de personnes qui n'en connaissent pas le mode d'utilisation.
5. **Effectuez l'entretien des outils électriques et des accessoires. Assurez-vous que les pièces mobiles ne sont pas désalignées ou coincées, qu'aucune pièce n'est cassée et que l'outil électrique n'a subi aucun dommage affectant son bon fonctionnement. Le cas échéant, faites réparer l'outil électrique avant de l'utiliser.** De nombreux accidents sont causés par des outils électriques mal entretenus.
6. **Maintenez les outils tranchants bien aiguisés et propres.** Un outil tranchant dont l'entretien est effectué correctement et dont les bords sont bien aiguisés risquera moins de se coincer et sera plus facile à maîtriser.
7. **Utilisez l'outil électrique, ses accessoires, ses embouts, etc., en respectant les présentes instructions, en tenant compte des conditions de travail et du type de travail à effectuer.** L'utilisation d'un outil électrique pour d'autres usages que ceux prévus peut entraîner une situation dangereuse.
8. **Gardez les poignées et surfaces de saisie sèches, propres et exemptes d'huile et de graisse.** Les poignées et surfaces de saisie glissantes ne permettent pas une manipulation sûre et une bonne maîtrise de l'outil dans les situations inattendues.
9. **Lors de l'utilisation de l'outil, ne portez pas de gants de travail en tissu qui risquent de s'enchevêtrer dans l'outil.** L'enchevêtrement de gants de travail en tissu dans les pièces en mouvement peut entraîner une blessure.

Utilisation et entretien des outils alimentés par batterie

1. **Pour recharger, utilisez uniquement le chargeur spécifié par le fabricant.** L'utilisation d'un chargeur conçu pour un type donné de bloc-piles comporte un risque d'incendie lorsqu'il est utilisé avec un autre type de bloc-piles.
2. **N'utilisez un outil électrique qu'avec le bloc-piles conçu spécifiquement pour cet outil.** Il y a risque de blessure ou d'incendie si un autre bloc-piles est utilisé.
3. **Lorsque vous n'utilisez pas le bloc-piles, rangez-le à l'écart des objets métalliques tels que trombones, pièces de monnaie, clés, clous, vis ou autres petits objets métalliques qui risqueraient d'établir une connexion entre les bornes.** La mise en court-circuit des bornes de batterie peut causer des brûlures ou un incendie.
4. **Dans des conditions d'utilisation inadéquates de la batterie, il peut y avoir fuite d'électrolyte; évitez tout contact avec ce liquide. En cas de contact accidentel, rincez avec beaucoup d'eau. Si le liquide pénètre dans vos yeux, il faut aussi consulter un médecin.** L'électrolyte qui s'échappe de la batterie peut causer des irritations ou des brûlures.

5. **N'utilisez pas une batterie ou un outil s'il est endommagé ou modifié.** Les batteries endommagées ou modifiées peuvent avoir un comportement imprévisible dont peut résulter un incendie, une explosion ou un risque de blessure.
6. **N'exposez pas une batterie ou un outil au feu ou à une température excessive.** L'exposition au feu ou à une température supérieure à 130 °C peut entraîner une explosion.
7. **Suivez toutes les instructions de charge et ne chargez pas la batterie ou l'outil à l'extérieur de la plage de température spécifiée dans les instructions.** Charger de manière inadéquate ou à des températures hors de la plage spécifiée peut endommager la batterie et augmenter le risque d'incendie.

Réparation

1. **Faites réparer votre outil électrique par un réparateur qualifié qui utilise des pièces de rechange identiques aux pièces d'origine.** Le maintien de la sûreté de l'outil électrique sera ainsi assuré.
2. **N'essayez jamais de réparer les batteries endommagées.** La réparation des batteries ne doit être effectuée que par le fabricant ou par un fournisseur de service après-vente agréé.
3. **Suivez les instructions de lubrification et de remplacement des accessoires.**
4. **Ne modifiez pas ou n'essayez pas de réparer l'appareil ou la batterie autrement que tel qu'indiqué dans les instructions d'utilisation et d'entretien.**

Consignes de sécurité pour aiguille à vibler le béton sans-fil

1. **Gardez toujours les mains et le visage à l'écart de la tête vibrante pendant l'utilisation.**
2. **Éteignez immédiatement l'outil si vous constatez un bruit anormal ou un dysfonctionnement pendant l'utilisation.**
3. **Vérifiez soigneusement l'absence de ruptures, fissures ou déformations si vous échappez l'outil ou le heurtez contre quelque chose accidentellement.**
4. **Ne transportez pas l'outil avec le doigt sur l'interrupteur.**
5. **Ne déposez pas l'outil au sol pour l'allumer.** La tête vibrante risquerait de se mettre à tourner en tous sens, hors de contrôle, et de causer un accident.
6. **Prenez garde de laisser de l'eau, du béton mouillé ou autres substances similaires pénétrer dans l'outil.** Ne laissez pas tomber l'outil sur le béton mouillé.
7. **Insérez soigneusement la tête vibrante entre les cadres de fer, les cadres d'acier ou les armatures, en évitant qu'elle ne les touche.**
8. **N'écrasez pas et ne tordez pas le tuyau flexible.**
9. **Ne pliez pas trop le tuyau flexible.**
10. **Utilisez un linge humide ou autre objet similaire pour essuyer soigneusement tout béton mouillé resté sur l'outil après l'utilisation. Redoublez d'attention pour nettoyer soigneusement les orifices d'aération, la zone de l'interrupteur, les ouvertures du couvercle, etc.**
11. **N'utilisez pas l'outil sous la pluie. Ne nettoyez pas l'outil dans l'eau.**

12. Après avoir utilisé l'outil, éteignez-le et attendez l'arrêt complet des vibrations de l'arbre flexible avant de déposer l'outil au sol.
13. Après l'utilisation de l'outil, ne touchez pas la partie vibrante, car elle peut être très chaude et vous brûler la peau.
14. Ne faites pas fonctionner l'outil à l'extérieur du béton. La partie vibrante est refroidie par son insertion dans le béton.
15. En cas d'interruption du courant provoquée par une panne de courant ou la déconnexion de la fiche d'alimentation, mettez l'interrupteur sur la position d'arrêt.

CONSERVEZ CES INSTRUCTIONS.

⚠ MISE EN GARDE : NE vous laissez PAS tromper (au fil d'une utilisation répétée) par un sentiment d'aisance ou de familiarité avec le produit en négligeant les consignes de sécurité qui accompagnent le produit. UNE UTILISATION INCORRECTE ou le non-respect des règles de sécurité énoncées dans le présent manuel d'instructions peut provoquer des blessures graves.

Symboles

Les symboles utilisés pour l'outil sont indiqués ci-dessous.

V	volts
— — —	courant continu
n_0	vitesse à vide
... /min r /min	tours ou alternances par minute

Consignes de sécurité importantes pour la batterie

1. Avant d'utiliser la batterie, lisez toutes les instructions et les mises en garde apposées sur (1) le chargeur de batterie, (2) la batterie et (3) le produit utilisant la batterie.
2. Ne démontez pas et ne modifiez pas la batterie. Cela peut entraîner un incendie, une chaleur excessive ou une explosion.
3. Cessez immédiatement l'utilisation si le temps de fonctionnement devient excessivement court. Il y a risque de surchauffe, de brûlures, voire d'explosion.
4. Si l'électrolyte pénètre dans vos yeux, rincez-les à l'eau claire et consultez immédiatement un médecin. Il y a risque de perte de la vue.
5. Ne court-circuitez pas la batterie :
 - (1) Ne touchez les bornes avec aucun matériau conducteur.
 - (2) Évitez de ranger la batterie dans un conteneur avec d'autres objets métalliques tels que clous, pièces de monnaie, etc.
 - (3) Évitez d'exposer la batterie à l'eau ou à la pluie.

Un court-circuit de la batterie pourrait provoquer un fort courant, une surchauffe, parfois des brûlures et même une panne.

6. Ne rangez pas et n'utilisez pas l'outil ou la batterie dans des emplacements où la température peut atteindre ou dépasser 50 °C (122 °F).
7. Ne jetez pas la batterie au feu même si elle est sérieusement endommagée ou complètement épuisée. La batterie peut exploser au contact du feu.
8. Évitez de clouer, de couper, d'écraser, de lancer ou d'échapper la batterie, ou de heurter un objet dur contre la batterie. Cela peut entraîner un incendie, une chaleur excessive ou une explosion.
9. N'utilisez pas une batterie si elle est endommagée.
10. Les batteries lithium-ion fournies sont soumises aux exigences de la législation sur les marchandises dangereuses. Des exigences particulières sur l'emballage et l'étiquetage doivent être respectées lors du transport commercial par des tiers, des transitaires, etc. Pour préparer la marchandise à expédier, consultez un expert en matériaux dangereux si nécessaire. Respectez aussi les éventuelles réglementations nationales plus détaillées. Recouvrez de ruban isolant les contacts exposés, et emballez la batterie de sorte qu'elle ne puisse pas se déplacer à l'intérieur de l'emballage.
11. Lors de l'élimination de la batterie, retirez-la de l'outil et éliminez-la dans un endroit sûr. Respectez la réglementation locale concernant l'élimination de la batterie.
12. N'utilisez les batteries qu'avec les produits spécifiés par Makita. Installer les batteries sur des produits non conformes peut entraîner un incendie, une chaleur excessive, une explosion ou une fuite d'électrolyte.
13. Si l'outil reste inutilisé pour une période prolongée, la batterie doit en être retirée.
14. Pendant et après l'utilisation, la batterie peut accumuler de la chaleur, ce qui peut causer des brûlures ou des brûlures à basse température. Faites attention lors de la manipulation des batteries chaudes.
15. Ne touchez pas la borne de l'outil immédiatement après l'utilisation, car elle peut être assez chaude pour causer des brûlures.
16. Ne laissez pas les copeaux, les poussières ou la terre se coincer dans les bornes, les trous et les rainures de la batterie. Cela pourrait causer un réchauffement, un incendie, un éclatement et une défaillance de l'outil ou de la batterie et entraîner des brûlures ou des blessures corporelles.
17. À moins que l'outil ne soit compatible avec l'utilisation à proximité des lignes électriques haute tension, n'utilisez pas la batterie à proximité d'une ligne électrique haute tension. Cela peut entraîner un dysfonctionnement ou une panne de l'outil ou de la batterie.
18. Gardez la batterie à l'écart des enfants.

CONSERVEZ CES INSTRUCTIONS.

⚠ ATTENTION : Utilisez exclusivement les batteries fabriquées par Makita. Les batteries autres que celles fabriquées par Makita ou les batteries modifiées peuvent exploser et causer un incendie, une blessure ou des dommages. Cela annule aussi la garantie Makita de l'outil et du chargeur Makita.

Conseils pour maintenir la durée de service maximale de la batterie

1. Rechargez la batterie avant qu'elle ne soit complètement déchargée. Arrêtez toujours l'outil et rechargez la batterie quand vous remarquez que la puissance de l'outil diminue.
2. Ne rechargez jamais une batterie complètement chargée. La surcharge réduit la durée de service de la batterie.
3. Chargez la batterie à une température ambiante comprise entre 10 °C et 40 °C (50 °F et 104 °F). Si la batterie est chaude, laissez-la refroidir avant de la charger.
4. Lorsque vous n'utilisez pas la batterie, retirez-la de l'outil ou du chargeur.
5. Chargez la batterie si elle est restée inutilisée pendant une période prolongée (plus de six mois).

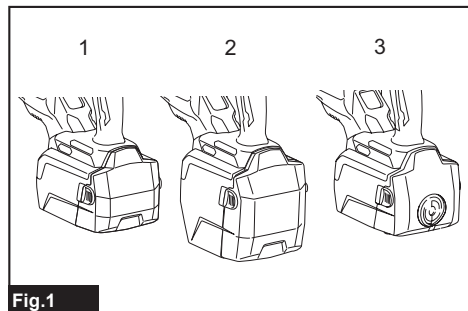
DESCRIPTION DU FONCTIONNEMENT

⚠ ATTENTION : Assurez-vous toujours que l'outil est éteint et que sa batterie est retirée avant de l'ajuster ou de vérifier son fonctionnement.

Remplacement du boîtier de batterie

Accessoire en option

Posez l'un des boîtiers de batterie offerts en option dans trois gammes de dimensions adaptées pour votre batterie et la source d'alimentation connectée au cordon.



- 1. Boîtier de batterie S (boîtier de batterie de série)
2. Boîtier de batterie L 3. Boîtier de batterie H

1. Ouvrez le boîtier de batterie de série tout en appuyant sur les boutons sur les côtés du boîtier.

2. Desserrez les vis fixant le boîtier de batterie de série et faites glisser le boîtier de batterie le long du logement pour le retirer.

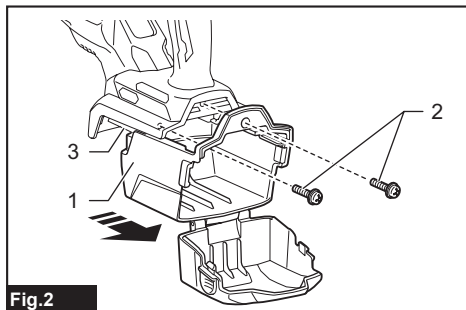


Fig.2

- 1. Boîtier de batterie de série 2. Vis 3. Logement

3. Faites glisser un boîtier de batterie optionnel dans l'outil. Ouvrez le boîtier tout en appuyant sur les boutons sur les côtés du boîtier. Puis, serrez les vis pour le fixer en place.

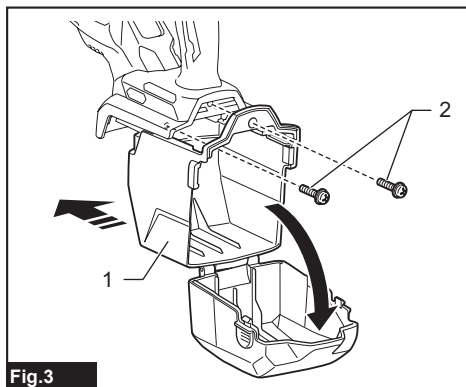


Fig.3

- 1. Boîtier de batterie optionnel 2. Vis

4. Fermez solidement le boîtier de batterie.

Installation et retrait de la batterie

⚠ ATTENTION : Avant d'installer ou de retirer la batterie, assurez-vous toujours de régler la gâchette en position « OFF » en tirant la gâchette entièrement et en la relâchant.

⚠ ATTENTION : Tenez fermement l'outil et la batterie lors de l'installation ou du retrait de cette dernière. Si l'outil et la batterie ne sont pas tenus fermement, ils risquent de vous glisser des mains et de subir des dommages, ou encore de vous blesser.

⚠ ATTENTION : Installez toujours la batterie à fond jusqu'à ce que vous ne puissiez plus voir l'indicateur rouge. Autrement elle risque de tomber accidentellement de l'outil et d'entraîner des blessures.

⚠ ATTENTION : Ne forcez pas sur la batterie pour l'installer. Si la batterie ne glisse pas facilement, c'est qu'elle n'est pas insérée correctement.

⚠ ATTENTION : Prenez soin de ne pas pincer vos doigts entre le boîtier de batterie et son couvercle avant lors de l'installation ou du retrait de la batterie.

Installation

1. Ouvrez le boîtier de batterie tout en appuyant sur les boutons sur les côtés du boîtier de batterie.

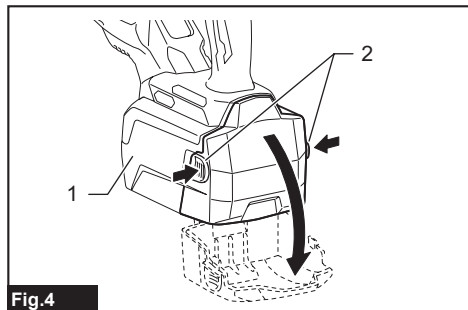


Fig.4

- 1. Boîtier de batterie 2. Boutons

2. Insérez une batterie en place en alignant sa langue avec la rainure sur l'outil. Si vous pouvez voir l'indicateur rouge tel qu'illustré sur la figure, cela signifie qu'elle n'est pas complètement verrouillée.

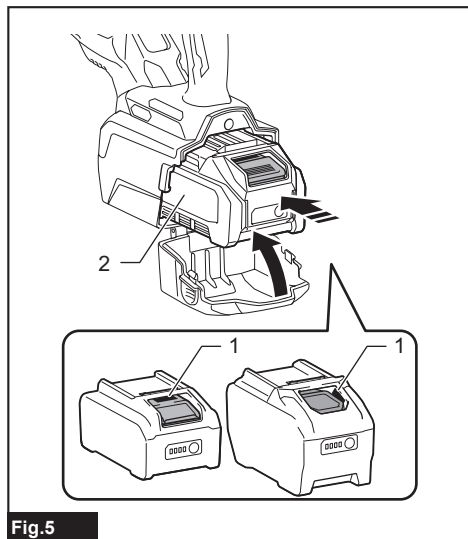


Fig.5

- 1. Indicateur rouge 2. Batterie

3. Fermez solidement le boîtier de batterie.

Désinstallation

1. Ouvrez le boîtier de batterie tout en appuyant sur les boutons sur les côtés du boîtier de batterie.
2. Faites glisser la batterie hors de l'outil tout en appuyant sur le bouton à l'avant de la batterie.

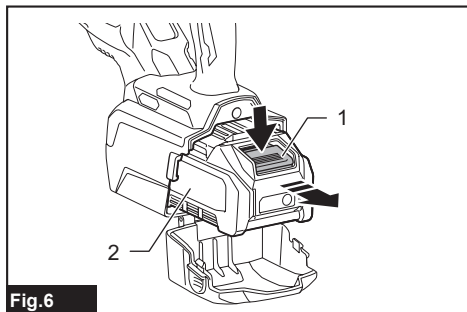


Fig.6

- 1. Bouton 2. Batterie

3. Fermez solidement le boîtier de batterie.

Pour la source d'alimentation connectée au cordon

Accessoire en option

Remplacez le boîtier de batterie de série par un boîtier de batterie optionnel H avant l'installation.

Installation

1. Ouvrez le boîtier de batterie tout en appuyant sur les boutons sur les côtés du boîtier de batterie.
2. Insérez un adaptateur de batterie en place en alignant sa langue avec la rainure sur l'outil. Si vous pouvez voir l'indicateur rouge tel qu'illustré sur la figure, cela signifie qu'elle n'est pas complètement verrouillée.

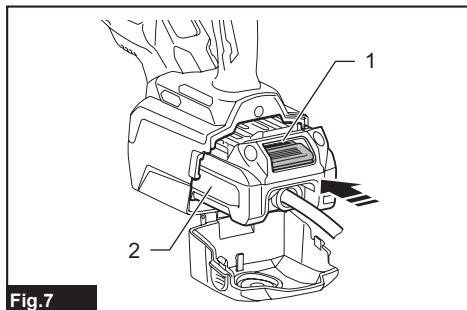


Fig.7

- 1. Indicateur rouge 2. Adaptateur de batterie

3. Ouvrez le passe-câbles d'étanchéité en caoutchouc dans le boîtier de batterie.

Assurez-vous de presser le passe-câbles d'étanchéité en caoutchouc hors du rebord de l'orifice rond à partir de l'intérieur du couvercle avant du boîtier.

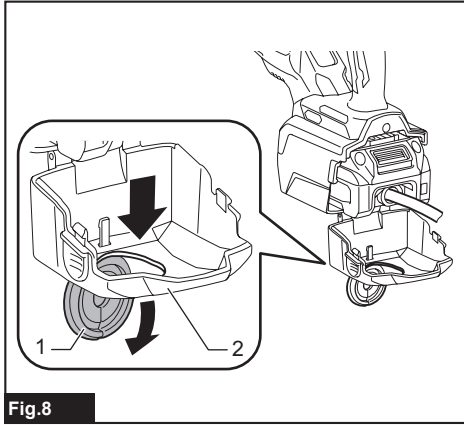


Fig.8

1. Passe-câbles d'étanchéité en caoutchouc
2. Couvercle avant

4. Passez la prise d'adaptateur et le cordon de la prise à travers l'orifice rond dans le boîtier de batterie.

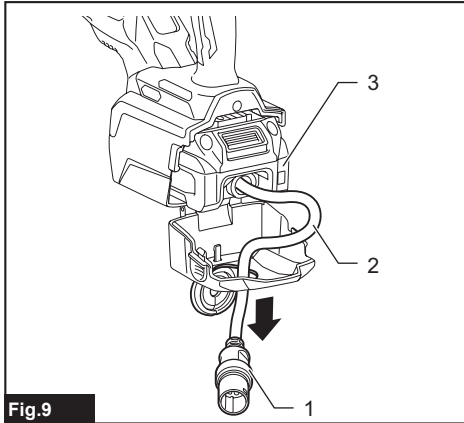


Fig.9

1. Prise d'adaptateur
2. Cordon de prise
3. Adaptateur de batterie

5. Fermez solidement le boîtier de batterie.

6. Remettez le passe-câbles d'étanchéité en caoutchouc en place.

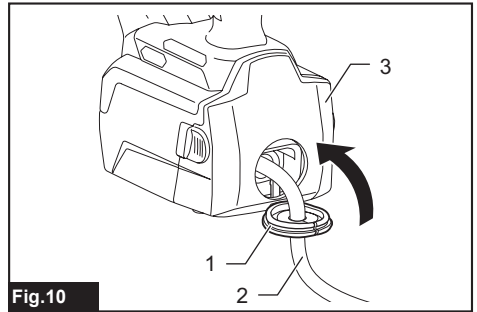


Fig.10

1. Passe-câbles d'étanchéité en caoutchouc
2. Cordon de prise
3. Boîtier de batterie

Désinstallation

1. Ouvrez le boîtier de batterie tout en appuyant sur les boutons sur les côtés du boîtier de batterie.
2. Ouvrez le passe-câbles d'étanchéité en caoutchouc dans le boîtier de batterie.

Assurez-vous de presser le passe-câbles d'étanchéité en caoutchouc hors du rebord de l'orifice rond à partir de l'intérieur du couvercle avant du boîtier.

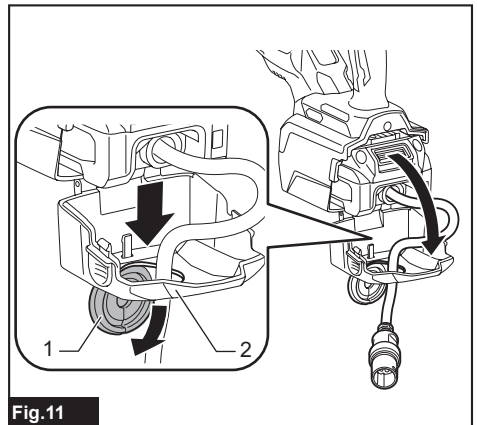


Fig.11

1. Passe-câbles d'étanchéité en caoutchouc
2. Couvercle avant

3. Tirez la prise d'adaptateur et le cordon hors de la prise à travers l'orifice rond dans le boîtier de batterie.
4. Faites glisser l'adaptateur de batterie hors de l'outil tout en appuyant sur le bouton à l'avant de l'adaptateur de batterie.
5. Fermez solidement le boîtier de batterie.

Affichage de la charge restante de la batterie

Appuyez sur le bouton de vérification de la batterie pour afficher la charge restante de la batterie. Les témoins indicateurs s'allument pendant quelques secondes.

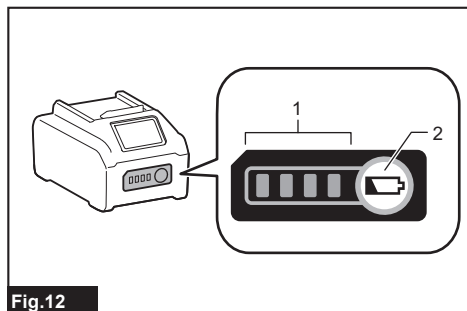


Fig.12

► 1. Témoins indicateurs 2. Bouton de vérification

Témoins indicateurs			Charge restante
Allumé	Éteint	Clignotant	
■	□	◐	75 % à 100 %
■ ■ ■ ■	□ □ □ □	□ □ □ □	50 % à 75 %
■ ■ ■ ■	□ □ □ □	□ □ □ □	25 % à 50 %
■ ■ ■ ■	□ □ □ □	□ □ □ □	0 % à 25 %
◐ □ □ □	□ □ □ □	□ □ □ □	Chargez la batterie.
■ ■ □ □	□ □ □ □	□ □ □ □	La batterie a peut-être mal fonctionné.
□ □ ■ ■	□ □ □ □	□ □ □ □	

NOTE : Suivant les conditions d'utilisation et la température ambiante, il se peut que l'indication soit légèrement différente de la charge réelle.

NOTE : La première lampe témoin (à l'extrémité gauche) clignote lorsque le dispositif de protection de la batterie s'active.

Dispositif de protection de l'outil et de la batterie

L'outil est équipé d'un système de protection d'outil/batterie. Ce système coupe automatiquement l'alimentation du moteur pour augmenter la durée de vie de l'outil et de la batterie. L'outil s'arrête automatiquement pendant l'utilisation lorsque l'outil ou la batterie est dans l'une des situations suivantes :

Protection contre la surcharge

Lorsque l'outil ou la batterie est utilisé d'une façon qui lui fait consommer un courant anormalement élevé, l'outil s'arrête automatiquement. Dans cette situation, éteignez l'outil et arrêtez l'activité qui entraîne une surcharge de l'outil. Rallumez ensuite l'outil pour redémarrer.

NOTE : Si l'outil ne redémarre pas sans accrocs, interrompez l'opération pendant plus longtemps qu'une minute ou retirez la batterie de l'outil et remettez-la dans l'outil avant de redémarrer.

Protection contre la surchauffe

Lorsque l'outil ou la batterie surchauffe, l'outil s'arrête automatiquement. Le cas échéant, laissez refroidir l'outil et la batterie avant de remettre l'outil en marche.

Protection contre la décharge excessive

Lorsque la charge de la batterie est insuffisante, l'outil s'arrête automatiquement. Dans ce cas, retirez la batterie de l'outil et chargez la batterie.

Protections contre d'autres causes

Le dispositif de protection est aussi conçu pour d'autres causes qui pourraient endommager l'outil et permet d'arrêter automatiquement l'outil. Prenez toutes les mesures suivantes pour éliminer les causes lorsque le fonctionnement de l'outil a été interrompu temporairement ou arrêté.

1. Éteignez l'outil et remettez-le de nouveau en marche.
2. Chargez la/les batterie(s) ou remplacez-la/les par une/des batteries rechargée(s).
3. Laissez l'outil et la/les batteries se refroidir.


Si la situation ne s'améliore pas en restaurant le système de protection, contactez votre centre de service Makita local.

Interrupteur

ATTENTION : Avant d'insérer la batterie dans l'outil, assurez-vous toujours que la gâchette fonctionne bien et revient en position d'arrêt en y appuyant entièrement et en la relâchant.

ATTENTION : Il est possible de verrouiller la gâchette en position de marche pour un plus grand confort de l'utilisateur lors d'une utilisation prolongée. Lorsque vous verrouillez l'outil en position de marche, soyez prudent et maintenez une prise ferme sur l'outil.

ATTENTION : N'installez pas la batterie avec le bouton de verrouillage engagé.

ATTENTION : Lorsque vous n'utilisez pas l'outil, enfoncez le bouton de verrouillage de la gâchette du côté  pour verrouiller la gâchette sur la position d'arrêt.

Pour éviter l'activation accidentelle de la gâchette, l'outil est doté d'un bouton de verrouillage de la gâchette. Pour faire démarrer l'outil, enfoncez le bouton de verrouillage de la gâchette du côté A (A) et appuyez sur la gâchette. Pour arrêter, relâchez la gâchette. Après l'utilisation, enfoncez le bouton de verrouillage de la gâchette du côté B (B).

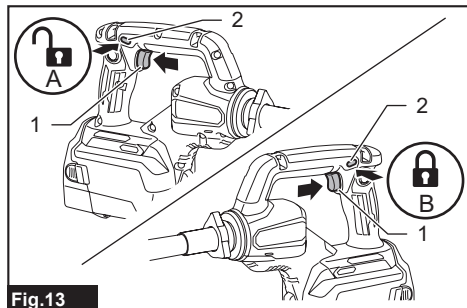


Fig. 13

► 1. Gâchette 2. Bouton de verrouillage de la gâchette

Pour obtenir un fonctionnement continu, enfoncez le bouton de verrouillage tout en appuyant sur la gâchette, puis libérez la gâchette. Pour arrêter l'outil, appuyez à fond sur la gâchette puis libérez-la.

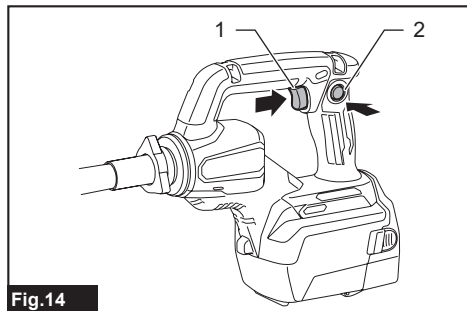


Fig. 14

► 1. Gâchette 2. Bouton de verrouillage

Sélecteur de mode

Il est possible de changer la vitesse (fréquence) des vibrations selon deux niveaux à l'aide du sélecteur de mode. Appuyez sur le bouton de mode pour basculer les vibrations en mode normal (1) et en mode d'alimentation (2). L'un ou l'autre des deux indicateurs pour le mode que vous avez sélectionné s'allume.

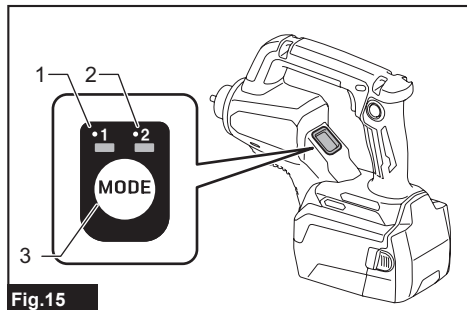




Fig. 15

► 1. Indicateur de mode normal (1) 2. Indicateur de mode d'alimentation (2) 3. Bouton de mode

Mode (numéro d'indication)	Vibrations par minute	Application
 Mode normal (1)	12 000 /min	Pour les travaux de coffrage et de vibration de surface; Couramment utilisé dans la construction du béton préfabriqué, les petites couléés qui nécessitent une quantité minimale de vibration et les travaux de rebouchage et de réparation avec une opération précise.
 Mode d'alimentation (2)	15 500 /min	Pour des vibrations à des couléés plus importantes; Idéal pour des couléés ayant une superficie plus importante, comme des joints de construction, une consolidation de dalle, où l'opérateur se déplace pour couvrir toute la zone.

NOTE : Le mode que vous sélectionnez sera enregistré automatiquement lorsque l'outil est éteint. Lorsqu'il est redémarré, l'outil redémarre dans le même mode que celui qui a été utilisé précédemment.

NOTE : Lorsque le dispositif de protection de la batterie fonctionne, les indicateurs de mode s'éteignent.

NOTE : Lorsque la charge de la batterie restante devient faible, l'un ou l'autre des deux indicateurs pour le mode que vous êtes en train d'utiliser clignotera. Le moment où le témoin se met à clignoter dépend de la température du lieu de travail et de l'état de la batterie.

Fonction de prévention du redémarrage accidentel

Si vous insérez la batterie pendant que vous appuyez sur la gâchette, l'outil ne démarre pas.

Pour faire démarrer l'outil, libérez la gâchette, puis appuyez dessus de nouveau.

Lorsque le bouton de verrouillage est engagé, appuyez sur la gâchette entièrement et déverrouillez-la pour désengager le verrou. Ensuite, appuyez de nouveau sur la gâchette.

Fonctions électroniques

L'outil est doté de la fonction électronique suivante qui facilite son utilisation.

Commande de vitesse constante

Il est possible de réaliser une opération stable, car la vitesse (fréquence) des vibrations est maintenue constante, même sous la condition chargée.

ASSEMBLAGE

⚠ ATTENTION : Assurez-vous toujours que l'outil est éteint et que sa batterie est retirée avant d'effectuer tout travail dessus.

Pose ou retrait de l'arbre flexible

Accessoire en option

Installation

1. Tirez l'arbre de corps flexible raisonnablement droit hors du boîtier externe.

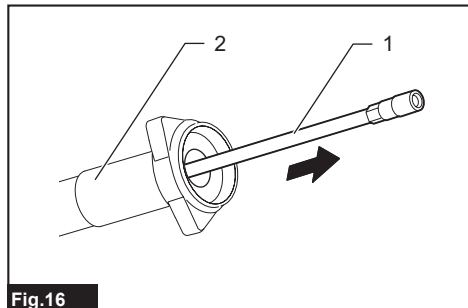


Fig.16

- 1. Arbre de corps flexible 2. Boîtier externe

2. Maintenez immobile l'arbre d'entraînement dans l'outil à l'aide de la clé fournie. Puis, vissez à la main le raccord d'extrémité de l'arbre de corps flexible sur l'arbre d'entraînement rigide dans l'outil.

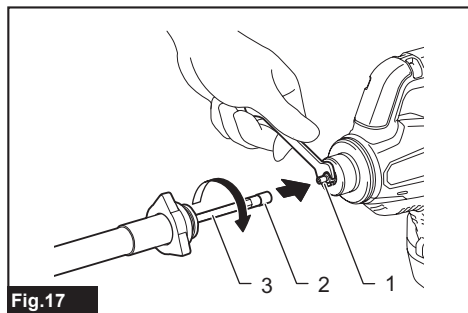


Fig.17

- 1. Arbre d'entraînement 2. Raccord d'extrémité
3. Arbre de corps flexible

3. Attachez le raccord d'extrémité de l'arbre de corps flexible solidement à l'aide d'une pince.

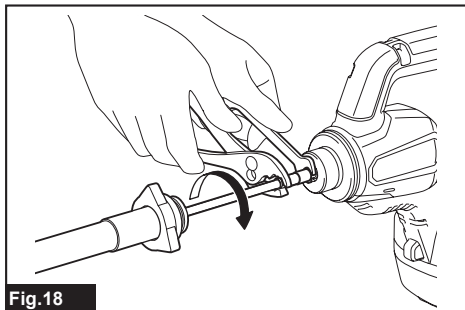


Fig.18

4. Serrez à la main le manchon du boîtier externe sur le filet mâle de l'outil.

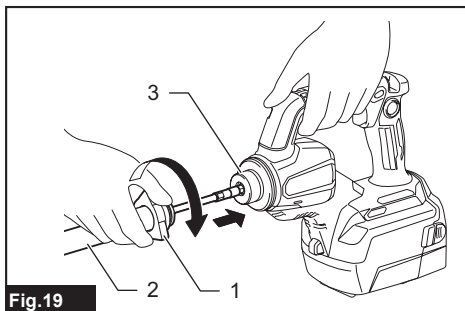


Fig.19

- 1. Manchon 2. Boîtier externe 3. Filet mâle

Si le manchon n'atteint pas ou ne s'ajuste pas solidement sur le filet mâle de l'outil, particulièrement lors de l'installation d'un arbre flexible long, tirez davantage le boîtier externe vers l'outil tout en tournant à la main l'arbre de corps flexible de manière à ce que le haut de l'arbre s'ajuste dans la fente de l'arbre dans la tête vibrante et s'engage complètement.

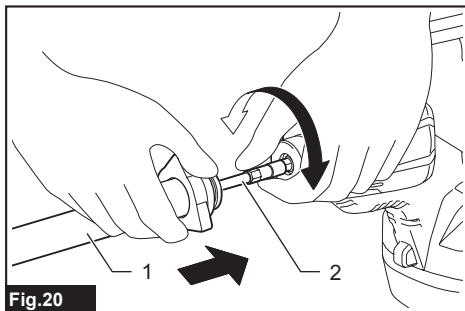


Fig.20

- 1. Boîtier externe 2. Arbre de corps flexible

5. Frappez quelques fois chacun des trois coins du manchon triangulaire avec un marteau dans un ordre aléatoire afin de solidifier l'assemblage.

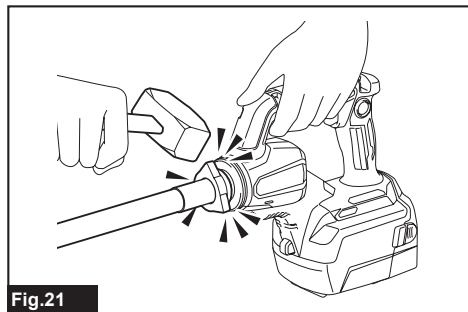


Fig.21

Désinstallation

Suivez les étapes d'installation dans l'ordre inverse.

Pose de la bandoulière

Accessoire en option

⚠ MISE EN GARDE : Retirez toujours la bandoulière de l'outil lorsque vous portez des supports d'alimentation portables. Porter plusieurs harnais et plusieurs courroies peut rendre difficile la possibilité d'enlever l'équipement rapidement en cas d'urgence et entraîner des blessures corporelles.

⚠ MISE EN GARDE : N'utilisez pas les pièces de fixation de la bandoulière à d'autres fins, comme pour prévenir les chutes dans les emplacements élevés. Si les pièces de fixation de la bandoulière sont utilisées à d'autres fins, une charge excessive risque de les casser et d'entraîner une grave blessure à l'utilisateur ou à une personne se trouvant près ou en dessous de lui.

⚠ ATTENTION : Veillez à fixer fermement les crochets de la bandoulière à l'outil. Si les crochets ne sont pas bien fixés, ils peuvent se détacher et causer une blessure.

⚠ ATTENTION : Assurez-vous d'utiliser la bandoulière dédiée de cet outil. Utiliser une autre bandoulière peut entraîner une blessure.

Suspendez les crochets de la bandoulière au-dessus des orifices de suspension sur le haut de l'outil.

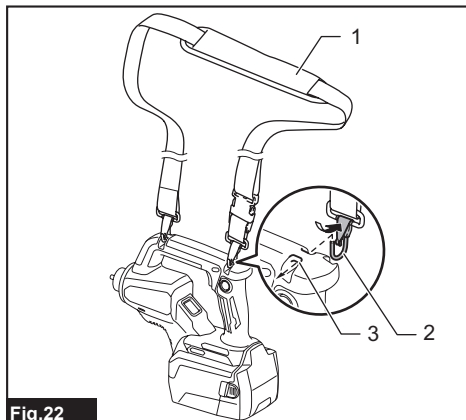


Fig.22

► 1. Bandoulière 2. Crochet 3. Orifice de suspension

UTILISATION

⚠ ATTENTION : Mettez la bandoulière autour de votre épaule, et tenez l'outil fermement à deux mains.

AVIS : Au tout début de l'opération, l'arbre flexible tend à vibrer à une amplitude plus élevée. L'outil restaurera l'amplitude normale après que vous ayez pressé et relâché la gâchette quelques fois de façon répétée.

Assurez-vous d'engager et de garder la tête vibrante droite pendant le fonctionnement. Utilisez l'outil dans ses plages de vibration efficaces, à intervalles de même distance. La plage d'élimination efficace des bulles d'air est d'environ dix fois le diamètre de la tête vibrante.

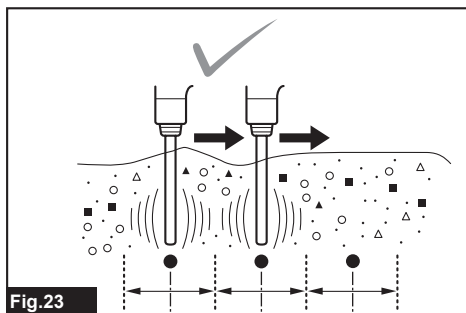


Fig.23

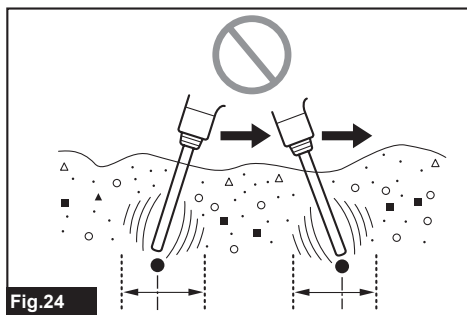


Fig.24

AVIS : N'utilisez pas l'outil pour déplacer le béton dans le coffrage. Cela ne ferait qu'écarter le mortier en laissant le gros granulat, causant la ségrégation du béton.



Fig.25

Nivellement efficace et élimination des bulles d'air

L'élimination des bulles d'air est achevée lorsque vous avez appliqué l'outil sur chaque plage efficace, que le retrait du béton cesse et que le mortier a monté uniformément à la surface, donnant au béton un aspect clair. Retirez doucement l'outil en marche, pour ne pas laisser de trous.

Lorsque vous utilisez l'outil dans une pente, commencez toujours par le bas. Si vous commencez l'utilisation de l'outil par le haut, le mortier se séparera et glissera éventuellement vers le bas.

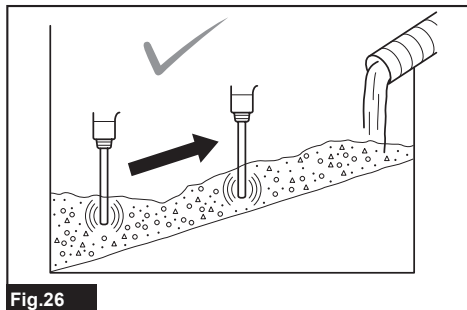


Fig.26

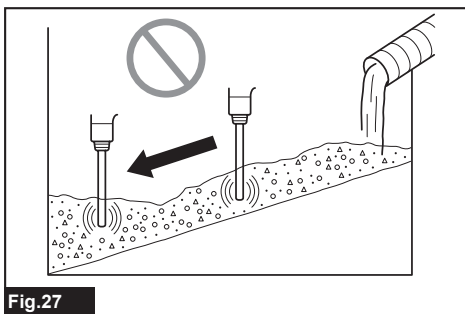


Fig.27

NOTE : Des vibrations trop prolongées en un même emplacement causent la ségrégation du béton.

NOTE : S'il y a ségrégation du gros granulat pendant la pose du béton, écartez le gros granulat avec une pelle en le mettant là où il y a beaucoup de mortier. Utilisez ensuite l'outil dessus. Ne laissez pas le gros granulat à l'état séparé.

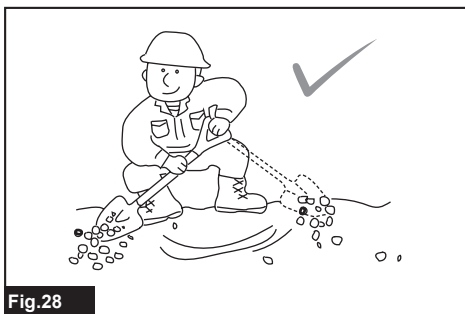


Fig.28

ENTRETIEN

ATTENTION : Assurez-vous toujours que l'outil est hors tension et que la batterie est retirée avant d'y effectuer tout travail d'inspection ou d'entretien.

AVIS : N'utilisez jamais d'essence, de benzine, de solvant, d'alcool ou autres produits similaires. Une décoloration, une déformation ou la formation de fissures peuvent en découler.

AVIS : Évitez de nettoyer l'outil dans l'eau. L'eau pénétrera dans le boîtier du moteur et entraînera une défaillance de ce dernier.

AVIS : Utilisez un linge humide ou autre objet similaire pour essuyer soigneusement tout béton mouillé resté sur l'outil après l'utilisation. Redoublez d'attention pour nettoyer soigneusement les orifices d'aération, la zone de l'interrupteur, les ouvertures du couvercle, etc.

Pour maintenir la SÉCURITÉ et la FIABILITÉ du produit, les réparations et tout autre travail d'entretien ou de réglage doivent être effectués dans un centre de service après-vente autorisé ou une usine Makita, exclusivement avec des pièces de rechange Makita.

ACCESSOIRES EN OPTION

⚠ ATTENTION : Ces accessoires ou pièces complémentaires sont recommandés pour l'utilisation avec l'outil Makita spécifié dans ce manuel. L'utilisation de tout autre accessoire ou pièce complémentaire peut comporter un risque de blessure. N'utilisez les accessoires ou pièces complémentaires qu'aux fins auxquelles ils ont été conçus.

Si vous désirez obtenir plus de détails sur ces accessoires, veuillez contacter le centre de service après-vente Makita le plus près.

- Arbre flexible de $\varnothing 32$ mm x 1,2 m ($\varnothing 1-1/4$ " x 3,9 ft)
- Arbre flexible de $\varnothing 32$ mm x 1,7 m ($\varnothing 1-1/4$ " x 5,6 ft)
- Arbre flexible de $\varnothing 32$ mm x 2,4 m ($\varnothing 1-1/4$ " x 7,9 ft)
- Boîtier de batterie L
- Boîtier de batterie H
- Bandoulière
- Chargeur et batterie authentiques Makita

NOTE : Certains éléments de la liste peuvent être inclus avec l'outil comme accessoires standards. Ils peuvent varier suivant les pays.

GARANTIE LIMITÉE MAKITA

Pour les conditions de garantie en vigueur qui s'appliquent à ce produit, veuillez vous reporter à la feuille de garantie en annexe. Si la feuille de garantie en annexe n'est pas disponible, reportez-vous aux détails de la garantie présentés sur le site Web de votre pays, ci-dessous.

États-Unis d'Amérique: www.makitatools.com

Canada: www.makita.ca

Autres pays: www.makita.com

ESPECIFICACIONES

Modelo:		VR001G	VR003G
Vibraciones por minuto	Modo normal	12 000 r/min	
	Modo de potencia	15 500 r/min	
Diámetro del cabezal de vibración		- * Suministrados como accesorios opcionales ø32 mm (ø1-1/4")	ø32 mm (ø1-1/4")
Longitudes del eje flexible		- * Suministrados como accesorios opcionales 1,2 m - 2,4 m (3,9 ft - 7,9 ft)	1,2 m (3,9 ft)
Longitud total (con la batería BL4040)		282 mm (11-1/8") * ¹	1 495 mm (59") * ²
Tensión nominal		36 V - 40 V c.c. máx.	
Peso neto		2,1 kg - 3,4 kg (4,6 lbs - 7,5 lbs) * ¹	4,8 kg - 6,1 kg (10,6 lbs - 13,5 lbs) * ²

*¹ sin eje flexible

*² con eje flexible de 1,2 m (3,9 ft)

- Debido a nuestro continuo programa de investigación y desarrollo, las especificaciones aquí incluidas están sujetas a cambio sin previo aviso.
- Las especificaciones pueden variar de país a país.
- El peso puede variar en función de los accesorios, incluido el cartucho de batería. En la tabla se muestra la combinación de peso más ligero y más pesado conforme al procedimiento 01/2014 de EPTA.

Cartucho de batería y cargador aplicables

Cartucho de batería	BL4020 / BL4025 / BL4040* / BL4050F* / BL4080F* * : Batería recomendada
Cargador	DC40RA / DC40RB / DC40RC

- Algunos de los cartuchos de batería y cargadores enumerados arriba podrían no estar disponibles dependiendo de su área de residencia.

⚠ ADVERTENCIA: Use únicamente los cartuchos de batería y los cargadores indicados arriba. El uso de cualquier otro cartucho de batería y cargador podría ocasionar una lesión y/o un incendio.

Fuente de alimentación conectada por cable recomendada

Unidad portátil de alimentación eléctrica	PDC01 / PDC1200
---	-----------------

- La o las fuentes de alimentación conectadas por cable enumeradas arriba podrían no estar disponibles dependiendo de su área de residencia.
- Antes de utilizar la fuente de alimentación conectada por cable, lea las instrucciones e indicaciones de precaución sobre ellas.

ADVERTENCIAS DE SEGURIDAD

Advertencias generales de seguridad para herramientas eléctricas

⚠ ADVERTENCIA: Lea todas las advertencias de seguridad, instrucciones, ilustraciones y especificaciones suministradas con esta herramienta eléctrica. El no seguir todas las instrucciones indicadas a continuación podría ocasionar una descarga eléctrica, incendio y/o lesiones graves.

Conserve todas las advertencias e instrucciones como referencia en el futuro.

En las advertencias, el término "herramienta eléctrica" se refiere a su herramienta eléctrica de funcionamiento con conexión a la red eléctrica (con cableado eléctrico) o herramienta eléctrica de funcionamiento a batería (inalámbrica).

Seguridad en el área de trabajo

1. **Mantenga el área de trabajo limpia y bien iluminada.** Las áreas oscuras o desordenadas son propensas a accidentes.

2. **No utilice las herramientas eléctricas en atmósferas explosivas, tal como en la presencia de líquidos, gases o polvo inflamables.** Las herramientas eléctricas crean chispas que pueden prender fuego al polvo o los humos.
3. **Mantenga a los niños y curiosos alejados mientras utiliza una herramienta eléctrica.** Las distracciones le pueden hacer perder el control.
3. **Impida el encendido accidental. Asegúrese de que el interruptor esté en la posición de apagado antes de conectar a la alimentación eléctrica y/o de colocar el cartucho de batería, así como al levantar o cargar la herramienta.** Cargar las herramientas eléctricas con su dedo en el interruptor o enchufarlas con el interruptor encendido hace que los accidentes sean comunes.

Seguridad eléctrica

1. **Las clavijas de conexión de las herramientas eléctricas deberán encajar perfectamente en la toma de corriente. No modifique nunca la clavija de conexión de ninguna forma. No utilice ninguna clavija adaptadora con herramientas eléctricas que tengan conexión a tierra (puesta a tierra).** La utilización de clavijas no modificadas y que encajen perfectamente en la toma de corriente reducirá el riesgo de que se produzca una descarga eléctrica.
2. **Evite tocar con el cuerpo superficies conectadas a tierra o puestas a tierra tales como tubos, radiadores, cocinas y refrigeradores.** Si su cuerpo es puesto a tierra o conectado a tierra existirá un mayor riesgo de que sufra una descarga eléctrica.
3. **No exponga las herramientas eléctricas a la lluvia ni a condiciones húmedas.** La entrada de agua en una herramienta eléctrica aumentará el riesgo de que se produzca una descarga eléctrica.
4. **No maltrate el cable. Nunca utilice el cable para transportar, jalar o desconectar la herramienta eléctrica. Mantenga el cable alejado del calor, aceite, objetos cortantes o piezas móviles.** Los cables dañados o enredados aumentan el riesgo de sufrir una descarga eléctrica.
5. **Cuando utilice una herramienta eléctrica en exteriores, utilice un cable de extensión apropiado para uso en exteriores.** La utilización de un cable apropiado para uso en exteriores reducirá el riesgo de que se produzca una descarga eléctrica.
6. **Si no es posible evitar usar una herramienta eléctrica en condiciones húmedas, utilice un alimentador protegido con interruptor de circuito de falla a tierra (ICFT).** El uso de un ICFT reduce el riesgo de descarga eléctrica.
7. **Las herramientas eléctricas pueden producir campos electromagnéticos (CEM) que no son dañinos para el usuario.** Sin embargo, si los usuarios tienen marcapasos y otros dispositivos médicos similares, deberán consultar al fabricante de su dispositivo y/o a su médico antes de operar esta herramienta eléctrica.
4. **Retire cualquier llave de ajuste o llave de apriete antes de encender la herramienta.** Una llave de ajuste o llave de apriete que haya sido dejada puesta en una parte giratoria de la herramienta eléctrica puede ocasionar alguna lesión.
5. **No utilice la herramienta donde no alcance. Mantenga los pies sobre suelo firme y el equilibrio en todo momento.** Esto permite un mejor control de la herramienta eléctrica en situaciones inesperadas.
6. **Use una vestimenta apropiada. No use ropa suelta ni alhajas. Mantenga el cabello, la ropa y los guantes alejados de las piezas móviles.** Las prendas de vestir holgadas, las alhajas y el cabello largo suelto podrían engancharse en estas piezas móviles.
7. **Si dispone de dispositivos para la conexión de equipos de extracción y recolección de polvo, asegúrese de conectarlos y utilizarlos debidamente.** Hacer uso de la recolección de polvo puede reducir los riesgos relacionados con el polvo.
8. **No permita que la familiaridad adquirida debido al uso frecuente de las herramientas haga que se sienta confiado e ignore los principios de seguridad de las herramientas.** Un descuido podría ocasionar una lesión grave en una fracción de segundo.
9. **Utilice siempre gafas protectoras para proteger sus ojos de lesiones al usar herramientas eléctricas. Las gafas deben cumplir con la Norma ANSI Z87.1 en EUA.** Es responsabilidad del empleador imponer el uso de equipos protectores de seguridad apropiados a los operadores de la herramienta y demás personas cerca del área de trabajo.

Mantenimiento y uso de la herramienta eléctrica

Seguridad personal

1. **Manténgase alerta, preste atención a lo que está haciendo y utilice su sentido común cuando opere una herramienta eléctrica. No utilice una herramienta eléctrica cuando esté cansado o bajo la influencia de drogas, alcohol o medicamentos.** Un momento de distracción mientras opera las herramientas eléctricas puede terminar en una lesión grave.
2. **Use equipo de protección personal. Póngase siempre protección para los ojos.** El equipo protector tal como máscara contra el polvo, zapatos de seguridad antiderrapantes, casco rígido y protección para oídos utilizados en las condiciones apropiadas reducirá el riesgo de lesiones.
1. **No fuerce la herramienta eléctrica. Utilice la herramienta eléctrica correcta para su aplicación.** La herramienta eléctrica adecuada hará un mejor trabajo y de forma más segura a la velocidad para la que ha sido fabricada.
2. **No utilice la herramienta eléctrica si el interruptor no la enciende y apaga.** Cualquier herramienta eléctrica que no pueda ser controlada con el interruptor es peligrosa y debe ser reemplazada.
3. **Desconecte la clavija de la fuente de alimentación y/o retire la batería de la herramienta eléctrica, en caso de ser removible, antes de realizar ajustes, cambiar accesorios o almacenar las herramientas eléctricas.** Tales medidas de seguridad preventivas reducirán el riesgo de poner en marcha la herramienta eléctrica de forma accidental.
4. **Guarde la herramienta eléctrica que no use fuera del alcance de los niños y no permita que las personas que no están familiarizadas con ella o con las instrucciones la operen.** Las herramientas eléctricas son peligrosas en manos de personas que no saben operarlas.

5. **Dé mantenimiento a las herramientas eléctricas y los accesorios. Compruebe que no haya piezas móviles desalineadas o estancadas, piezas rotas y cualquier otra condición que pueda afectar al funcionamiento de la herramienta eléctrica. Si la herramienta eléctrica está dañada, haga que la reparen antes de utilizarla.** Muchos de los accidentes son ocasionados por no dar un mantenimiento adecuado a las herramientas eléctricas.
 6. **Mantenga las herramientas de corte limpias y filosas.** Si recibe un mantenimiento adecuado y tiene los bordes afilados, es probable que la herramienta se atasque menos y sea más fácil controlarla.
 7. **Utilice la herramienta eléctrica, los accesorios y las brocas de acuerdo con estas instrucciones, considerando las condiciones laborales y el trabajo a realizar.** Si utiliza la herramienta eléctrica para realizar operaciones distintas de las indicadas, podrá presentarse una situación peligrosa.
 8. **Mantenga los mangos y superficies de asiento secos, limpios y libres de aceite o grasa.** Los mangos y superficies de asiento resbalosos no permiten una manipulación segura ni el control de la herramienta en situaciones inesperadas.
 9. **Cuando vaya a utilizar esta herramienta, evite usar guantes de trabajo de tela ya que éstos podrían atorarse.** Si los guantes de trabajo de tela llegaran a atorarse en las piezas móviles, esto podría ocasionar lesiones personales.
7. **Siga todas las instrucciones para la carga y evite cargar la herramienta o la batería fuera del rango de temperatura especificado en las instrucciones.** Una carga inadecuada o a una temperatura fuera del rango especificado podría dañar la batería e incrementar el riesgo de incendio.

Servicio

1. **Haga que una persona calificada repare la herramienta eléctrica utilizando sólo piezas de repuesto idénticas.** Esto asegura que se mantenga la seguridad de la herramienta eléctrica.
2. **Nunca dé servicio a baterías que estén dañadas.** El servicio a las baterías solamente deberá ser efectuado por el fabricante o un agente de servicio autorizado.
3. **Siga las instrucciones para la lubricación y cambio de accesorios.**
4. **No modifique ni intente reparar el aparato ni el paquete de baterías salvo como se indique en las instrucciones para el uso y cuidado.**

Advertencias de seguridad para vibrador para concreto inalámbrico

Uso y cuidado de la herramienta a batería

1. **Recargue sólo con el cargador especificado por el fabricante.** Un cargador que es adecuado para un solo tipo de batería puede generar riesgo de incendio al ser utilizado con otra batería.
 2. **Utilice las herramientas eléctricas solamente con las baterías designadas específicamente para ellas.** La utilización de cualquier otra batería puede crear un riesgo de lesiones o incendio.
 3. **Cuando no se esté usando la batería, manténgala alejada de otros objetos metálicos, como sujetapapeles (clips), monedas, llaves, clavos, tornillos u otros objetos pequeños de metal los cuales pueden actuar creando una conexión entre las terminales de la batería.** Originar un cortocircuito en las terminales puede causar quemaduras o incendios.
 4. **En condiciones abusivas, podrá escapar líquido de la batería; evite tocarlo. Si lo toca accidentalmente, enjuague con agua. Si hay contacto del líquido con los ojos, busque asistencia médica.** Puede que el líquido expulsado de la batería cause irritación o quemaduras.
 5. **No utilice una herramienta ni una batería que estén dañadas o hayan sido modificadas.** Las baterías dañadas o modificadas podrían ocasionar una situación inesperada provocando un incendio, explosión o riesgo de lesiones.
 6. **No exponga la herramienta ni la batería al fuego ni a una temperatura excesiva.** La exposición al fuego o a una temperatura superior a los 130 °C podría causar una explosión.
1. **Mantenga siempre las manos y la cara lejos del cabezal de vibración al operar la herramienta.**
 2. **Apague inmediatamente la herramienta si nota algún ruido raro o algún defecto durante la operación.**
 3. **Inspeccione atentamente la herramienta en busca de roturas, grietas o deformaciones si se le cae accidentalmente o si se golpea contra algo.**
 4. **No traslade la herramienta con el dedo puesto sobre el interruptor.**
 5. **Tenga cuidado de no encender la herramienta al depositarla.** El cabezal de vibración podría dar sacudidas fuera de control y causar accidentes.
 6. **Tenga cuidado de no dejar que en la herramienta se introduzcan agua, concreto húmedo o materiales similares.** No deje que la herramienta caiga sobre concreto húmedo.
 7. **Inserte con cuidado el cabezal de vibración entre armazones de hierro/acero o entre barras de refuerzo para no entrar en contacto con ellos.**
 8. **No aplaste ni retuerza la manguera flexible.**
 9. **No doble en exceso la manguera flexible.**
 10. **Utilice un paño mojado o similar para limpiar con cuidado el concreto húmedo que haya quedado adherido a la herramienta después del uso.** Hay que limpiar con especial atención los orificios de ventilación, el área del interruptor, las aberturas con cubiertas, etc.
 11. **No utilice la herramienta bajo la lluvia.** No limpie la herramienta metiéndola en agua.
 12. **Después de operar la herramienta, apáguela y espere a que la vibración del eje flexible se detenga completamente antes de depositar la herramienta.**
 13. **Después de operar la herramienta, no toque la parte vibrante porque podría estar muy caliente y quemarle la piel.**
 14. **No opere la herramienta fuera de concreto.** La parte vibrante se enfría insertándola en concreto.

- Si el suministro eléctrico se corta debido a un apagón o a la desconexión del enchufe, ponga el interruptor en la posición de apagado.

GUARDE ESTAS INSTRUCCIONES.

⚠ADVERTENCIA: NO DEJE que la comodidad o familiaridad con el producto (a base de utilizarlo repetidamente) evite que siga estrictamente las normas de seguridad para dicho producto. El USO INCORRECTO o el no seguir las normas de seguridad indicadas en este manual de instrucciones puede ocasionar lesiones graves.

Símbolos

A continuación se muestran los símbolos utilizados para la herramienta.

v	volts o voltios
— — —	corriente directa o continua
n _e	velocidad sin carga
... /min r /min	revoluciones o alternaciones por minuto, frecuencia de rotación

Instrucciones importantes de seguridad para el cartucho de batería

- Antes de utilizar el cartucho de batería, lea todas las instrucciones e indicaciones de precaución en el (1) el cargador de batería, (2) la batería, y (3) el producto con el que se utiliza la batería.
- No desarme ni modifique el cartucho de batería. Podría ocurrir un incendio, calor excesivo o una explosión.
- Si el tiempo de operación se ha acortado en exceso, deje de operar de inmediato. Podría correrse el riesgo de sobrecalentamiento, posibles quemaduras e incluso explosión.
- En caso de que ingresen electrolitos en sus ojos, enjuáguelos bien con agua limpia y consulte de inmediato a un médico. Esto podría ocasionar pérdida de visión.
- Evite cortocircuitar el cartucho de batería:
 - No toque las terminales con ningún material conductor.
 - Evite guardar el cartucho de batería en un cajón junto con otros objetos metálicos, tales como clavos, monedas, etc.
 - No esponga el cartucho de batería al agua o la lluvia.

Un cortocircuito en la batería puede causar un flujo grande de corriente, sobrecalentamiento, posibles quemaduras e incluso una descompostura.
- No guarde ni utilice la herramienta y el cartucho de batería en lugares donde la temperatura pueda alcanzar o exceder los 50 °C (122 °F).

- Nunca incinere el cartucho de batería incluso en el caso de que esté dañado seriamente o ya no sirva en absoluto. El cartucho de batería puede explotar si se tira al fuego.
- No clave, corte, aplaste, lance o deje caer el cartucho de batería, ni golpee un objeto sólido contra el cartucho de batería. Dicha acción podría resultar en un incendio, calor excesivo o en una explosión.
- No use una batería dañada.
- Las baterías de ión de litio están sujetas a los requisitos reglamentarios en materia de bienes peligrosos.

Para el transporte comercial, por ej., mediante terceros o agentes de transporte, se deben tomar en cuenta los requisitos especiales relativos al empaque y el etiquetado.

Para efectuar los preparativos del artículo que se va a enviar, se requiere consultar a un experto en materiales peligrosos. Si es posible, consulte además otras regulaciones nacionales más detalladas.

Pegue o cubra con cinta adhesiva los contactos abiertos y mueva la batería de manera que ésta no pueda moverse dentro del paquete.
- Para deshacerse del cartucho de batería, sáquelo de la herramienta y deséchelo en un lugar seguro. Siga las regulaciones locales relacionadas al desecho de las baterías.
- Utilice las baterías únicamente con los productos especificados por Makita. Instalar las baterías en productos que no cumplan con los requisitos podría ocasionar un incendio, un calentamiento excesivo, una explosión o una fuga de electrolito.
- Si no se utiliza la herramienta por un periodo largo, debe extraerse la batería de la herramienta.
- El cartucho de batería podría absorber calor durante y después de su uso, lo que ocasionaría quemaduras o quemaduras a baja temperatura. Tenga cuidado con la manipulación de los cartuchos de batería que estén calientes.
- No toque el terminal de la herramienta inmediatamente después de su uso, ya que el mismo podría estar lo suficientemente caliente como para provocarle quemaduras.
- No permita que las rebabas, el polvo o la tierra queden atrapados en los terminales, orificios y ranuras del cartucho de batería. Podría provocar calentamiento, incendio, explosión y mal funcionamiento de la herramienta o del cartucho de batería, lo que resultaría en quemaduras o lesiones personales.
- No utilice el cartucho de batería cerca de cables eléctricos de alto voltaje, a menos que la herramienta sea compatible con el uso cercano a estos cables eléctricos de alto voltaje. Esto podría ocasionar una avería o descompostura de la herramienta o del cartucho de batería.
- Mantenga la batería alejada de los niños.

GUARDE ESTAS INSTRUCCIONES.

⚠PRECAUCIÓN: Utilice únicamente baterías originales de Makita. El uso de baterías no originales de Makita, o de baterías alteradas, puede ocasionar que las baterías exploten causando un incendio, lesiones personales y daños. Asimismo, esto invalidará la garantía de Makita para la herramienta y el cargador Makita.

Consejos para alargar al máximo la vida útil de la batería

1. Cargue el cartucho de batería antes de que se descargue completamente. Pare siempre la operación y cargue el cartucho de batería cuando note menos potencia en la herramienta.
2. No cargue nunca un cartucho de batería que esté completamente cargado. La sobrecarga acortará la vida de servicio de la batería.
3. Cargue el cartucho de batería a una temperatura ambiente de 10 °C - 40 °C (50 °F - 104 °F). Si un cartucho de batería está caliente, déjelo enfriar antes de cargarlo.
4. Cuando no utilice el cartucho de batería, sáquelo de la herramienta o del cargador.
5. Cargue el cartucho de batería si no va a utilizarlo durante un período prolongado (más de seis meses).

DESCRIPCIÓN DEL FUNCIONAMIENTO

⚠PRECAUCIÓN: Asegúrese siempre de que la herramienta esté apagada y el cartucho de batería haya sido extraído antes de realizar cualquier ajuste o comprobación en la herramienta.

Reemplazo del estuche de batería

Accesorio opcional

Instale uno de los estuches de batería disponibles opcionalmente en tres rangos de tamaños para adaptarse a su cartucho de batería y fuente de alimentación conectada por cable.

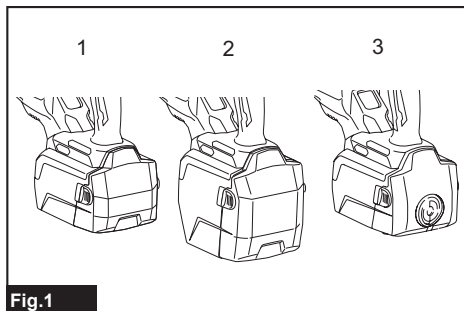


Fig.1

1. Estuche de batería S (estuche de batería estándar suministrado)
2. Estuche de batería L
3. Estuche de batería H

1. Abra el estuche de batería estándar suministrado mientras presiona los botones a los lados del estuche.

2. Afloje los tornillos que sujetan el estuche de batería estándar suministrado, y deslice el estuche de batería fuera y a lo largo de la carcasa.

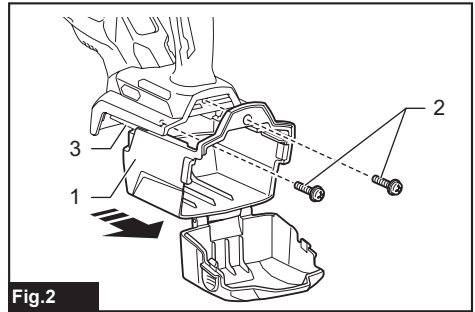


Fig.2

1. Estuche de batería estándar suministrado
2. Tornillos
3. Carcasa

3. Deslice un estuche de batería opcional dentro de la herramienta. Abra el estuche mientras presiona los botones a los lados del estuche. Luego, apriete los tornillos para asegurarlo en su sitio.

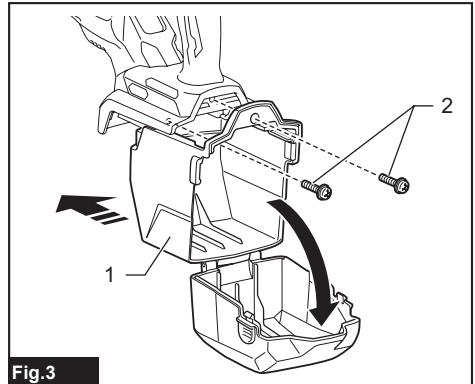


Fig.3

1. Estuche de batería opcional
2. Tornillos

4. Cierre el estuche de batería firmemente.

Instalación y extracción del cartucho de batería

⚠️ PRECAUCIÓN: Antes de instalar y quitar el cartucho de batería, asegúrese siempre de volver a colocar el gatillo interruptor en la posición "APAGADO" tirando del gatillo interruptor completamente y soltándolo.

⚠️ PRECAUCIÓN: Sujete la herramienta y el cartucho de la batería con firmeza al colocar o quitar el cartucho de batería. Si no se sujeta con firmeza la herramienta y el cartucho de batería, puede ocasionar que se resbalen de sus manos causando daños a la herramienta y al cartucho de batería, así como lesiones a la persona.

⚠️ PRECAUCIÓN: Introduzca siempre completamente el cartucho de batería hasta que el indicador rojo no pueda verse. Si no, podría accidentalmente salirse de la herramienta y caer al suelo causando una lesión a usted o alguien a su alrededor.

⚠️ PRECAUCIÓN: No instale el cartucho de batería a la fuerza. Si el cartucho no se desliza al interior fácilmente, se debe a que no está siendo insertado correctamente.

⚠️ PRECAUCIÓN: Tenga cuidado de no pillarse los dedos entre el estuche de batería y su cubierta delantera mientras instala y extrae el cartucho de batería.

Instalación

1. Abra el estuche de batería mientras presiona los botones a los lados del estuche de batería.

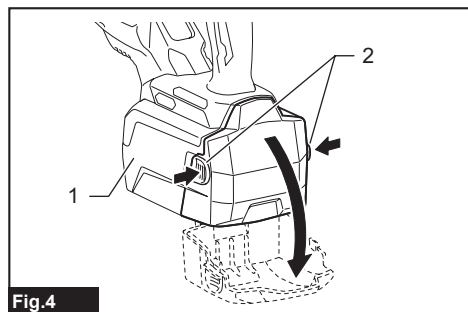


Fig.4

- 1. Estuche de batería 2. Botones

2. Inserte un cartucho de batería en su lugar alineando su lengüeta con la ranura de la herramienta. Si puede ver el indicador rojo como se muestra en la ilustración, este no ha quedado asegurado por completo.

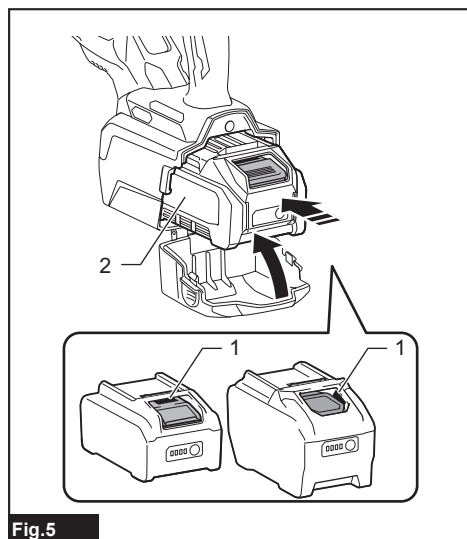


Fig.5

- 1. Indicador rojo 2. Cartucho de batería

3. Cierre el estuche de batería firmemente.

Desinstalación

1. Abra el estuche de batería mientras presiona los botones a los lados del estuche de batería.
2. Deslice el cartucho de batería fuera de la herramienta mientras presiona el botón en la parte frontal del cartucho de batería.

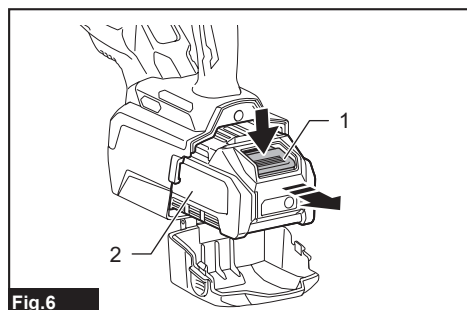


Fig.6

- 1. Botón 2. Cartucho de batería

3. Cierre el estuche de batería firmemente.

Para la fuente de alimentación conectada por cable

Accesorio opcional

Reemplace el estuche de batería equipada estándar con un estuche de batería opcional H antes de la instalación.

Instalación

1. Abra el estuche de batería mientras presiona los botones a los lados del estuche de batería.
2. Inserte un adaptador para batería en su lugar alineando su lengüeta con la ranura de la herramienta. Si puede ver el indicador rojo como se muestra en la ilustración, este no ha quedado asegurado por completo.

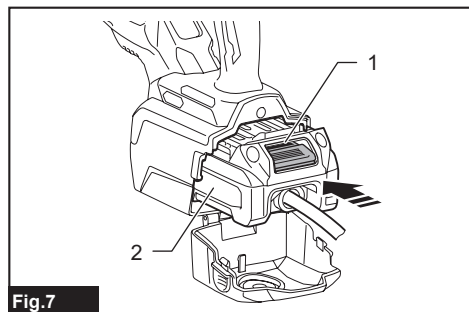


Fig.7
▶ 1. Indicador rojo 2. Adaptador para batería

3. Abra el aro de sellado de goma en el estuche de batería.

Asegúrese de apretar el aro de sellado de goma fuera del borde del orificio redondo desde el interior de la cubierta delantera del estuche.

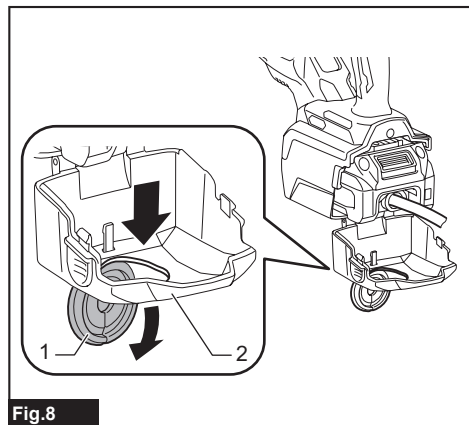


Fig.8
▶ 1. Aro de sellado de goma 2. Cubierta delantera

4. Pase el enchufe adaptador y el cable del enchufe a través del orificio redondo en el estuche de batería.

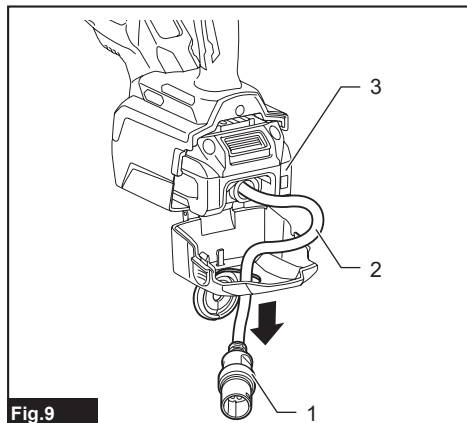


Fig.9
▶ 1. Enchufe adaptador 2. Cable del enchufe
3. Adaptador para batería

5. Cierre el estuche de batería firmemente.
6. Coloque el aro de sellado de goma de vuelta en su sitio.

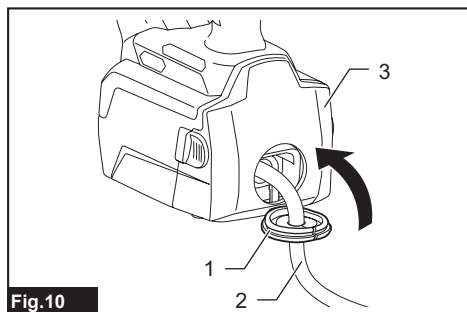


Fig.10
▶ 1. Aro de sellado de goma 2. Cable del enchufe
3. Estuche de batería

Desinstalación

1. Abra el estuche de batería mientras presiona los botones a los lados del estuche de batería.
2. Abra el aro de sellado de goma en el estuche de batería.

Asegúrese de apretar el aro de sellado de goma fuera del borde del orificio redondo desde el interior de la cubierta delantera del estuche.

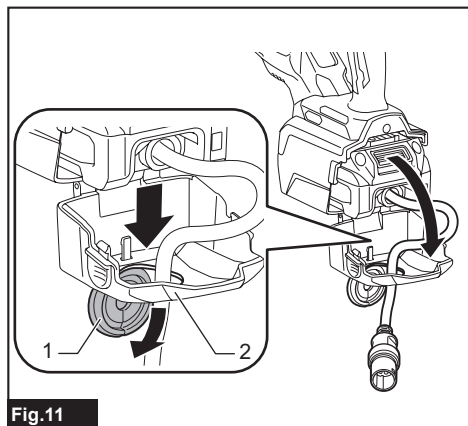


Fig.11

- 1. Aro de sellado de goma 2. Cubierta delantera

3. Pase el enchufe adaptador y el cable del enchufe a través del orificio redondo en el estuche de batería.
4. Deslice el adaptador para batería fuera de la herramienta mientras presiona el botón en la parte frontal del adaptador para batería.
5. Cierre el estuche de batería firmemente.

Indicación de la capacidad restante de la batería

Oprima el botón de verificación en el cartucho de la batería para que indique la capacidad restante de la batería. Las luces indicadoras se iluminarán por algunos segundos.

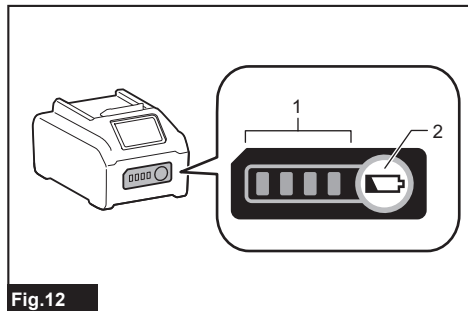


Fig.12

- 1. Luces indicadoras 2. Botón de verificación

Luces indicadoras			Capacidad restante
Iluminadas	Apagadas	Parpadeando	
■ ■ ■ ■	□ □ □ □	▧	75% a 100%
■ ■ ■ □	□ □ □ □	□	50% a 75%
■ ■ □ □	□ □ □ □	□	25% a 50%
■ □ □ □	□ □ □ □	□	0% a 25%
▧ □ □ □	□ □ □ □	□	Cargar la batería.
■ ■ □ □	□ □ □ □	□	La batería pudo haber funcionado mal.
□ □ □ ■	■ ■ ■ ■	↑ ↓	

NOTA: Dependiendo de las condiciones de uso y la temperatura ambiente, la indicación podrá diferir ligeramente de la capacidad real.

NOTA: La primera luz indicadora (extrema izquierda) parpadeará cuando el sistema de protección de batería esté en funcionamiento.

Sistema de protección para la herramienta/batería

La herramienta está equipada con un sistema de protección de la herramienta/batería. Este sistema corta en forma automática el suministro de energía al motor para prolongar la vida útil de la herramienta y la batería. La herramienta se detendrá automáticamente durante la operación si la herramienta o la batería se someten a una de las siguientes condiciones:

Protección contra sobrecarga

Cuando la herramienta o la batería sea operada de tal forma que cause que use una cantidad de corriente anormalmente alta, la herramienta se detendrá automáticamente. En este caso, apague la herramienta y detenga la aplicación que causó que la herramienta se sobrecargara. Luego, encienda la herramienta para volver a arrancarla.

NOTA: Si la herramienta no se reinicia sin problemas, detenga la operación durante un período superior a un minuto o retire el cartucho de batería de la herramienta y vuelva a colocarlo en la herramienta antes de reiniciarla.

Protección contra sobrecalentamiento

Cuando la herramienta o la batería se sobrecalienten, la herramienta se detendrá automáticamente. En este caso, permita que la herramienta y la batería se enfríen antes de volver a encender la herramienta.

Protección en caso de sobredescarga

Cuando la capacidad de la batería no es suficiente, la herramienta se detiene automáticamente. En este caso, retire la batería de la herramienta y cárguela.

Protección contra otras causas

El sistema de protección también está diseñado para otras causas que podrían dañar la herramienta, y permite que la herramienta se detenga automáticamente. Siga todos los pasos a continuación para eliminar las causas cuando la herramienta se haya detenido temporalmente o se haya detenido durante el funcionamiento.

1. Apague la herramienta, y luego enciéndala nuevamente para reiniciarla.
2. Cargue la(s) batería(s) o reemplácela(s) con batería(s) recargada(s).
3. Deje que la herramienta y la(s) batería(s) se enfríen.

Si no hay ninguna mejora al restaurar el sistema de protección, comuníquese con su centro local de servicio Makita.

Accionamiento del interruptor

⚠️ PRECAUCIÓN: Antes de insertar el cartucho de batería en la herramienta, cerciórese siempre de que el gatillo interruptor se acciona debidamente y que vuelve a la posición "OFF" (apagado) al jalarlo y liberarlo por completo.

⚠️ PRECAUCIÓN: El interruptor puede bloquearse en la posición de encendido para la comodidad del operador durante el uso prolongado. Tenga cuidado al bloquear la herramienta en la posición de encendido y mantenga bien sujetada la herramienta.

⚠️ PRECAUCIÓN: No instale el cartucho de batería mientras el botón de bloqueo esté activado.

⚠️ PRECAUCIÓN: Cuando no vaya a utilizar la herramienta, oprima el botón de bloqueo del gatillo del lado A para bloquear el gatillo interruptor en la posición de apagado.

Para evitar jalar accidentalmente el gatillo interruptor, se suministra el botón de bloqueo del gatillo. Para arrancar la herramienta, oprima el botón de bloqueo del gatillo del lado A (A) y jale el gatillo interruptor. Para detenerla, suelte el gatillo interruptor. Cuando termine de usarla, oprima el botón de bloqueo del gatillo del lado B (B).

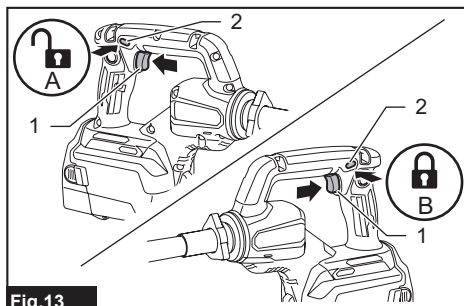


Fig.13

- 1. Gatillo interruptor 2. Botón de bloqueo del gatillo

Para una operación continua, oprima el botón de bloqueo mientras jala del gatillo interruptor y luego suelte el gatillo interruptor. Para detener la herramienta, jale el gatillo interruptor por completo, luego suéltelo.

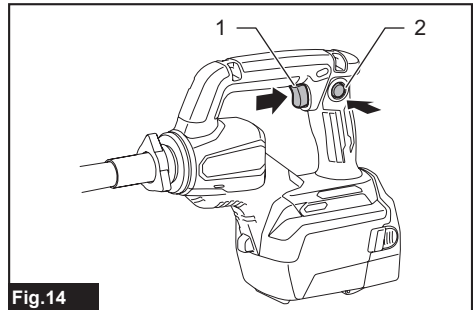


Fig.14

- 1. Gatillo interruptor 2. Botón de bloqueo

Selector de modo

La velocidad (frecuencia) de las vibraciones se puede cambiar en dos niveles mediante el selector de modo. Presione el botón de modo para alternar las vibraciones en modo normal (1) y modo de potencia (2). Cualquiera de los dos indicadores para el modo que seleccione se ilumina.

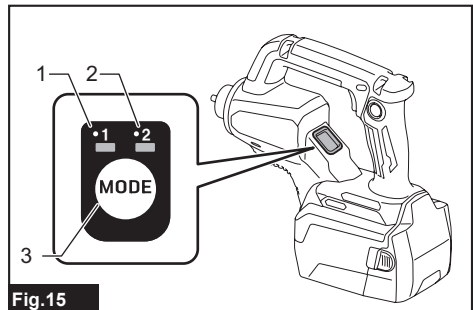




Fig.15

- 1. Indicador de modo normal (1) 2. Indicador de modo de potencia (2) 3. Botón de modo

Modo (numero de indicación)	Vibraciones por minuto	Aplicación
 Modo normal (1)	12 000 r/min	Para operaciones de encofrado y vibración de superficies; Se utiliza comúnmente en la construcción de concreto prefabricado, pequeños vertidos que requieren una cantidad mínima de vibración, trabajos de parcheo y reparación con una operación precisa.
 Modo de potencia (2)	15 500 r/min	Para vibraciones en vertidos más grandes; Ideal para vertidos con mayor área superficial, como juntas de construcción, consolidación de losas, donde el operador se desplaza para cubrir toda el área.

NOTA: El modo que seleccione se guardará automáticamente cuando se apague la herramienta. La herramienta se reinicia en el mismo modo en que se usó anteriormente cuando se volvió a encender.

NOTA: Cuando el sistema de protección de la batería funciona, los indicadores de modo se apagan.

NOTA: Cuando la capacidad restante de la batería sea baja, parpadeará cualquiera de los dos indicadores del modo que está utilizando actualmente. El momento en el que la lámpara comenzará a parpadear dependerá de la temperatura en el lugar de trabajo y de las condiciones del cartucho de batería.

Función para evitar el encendido accidental

Si usted instala el cartucho de batería mientras se jala el gatillo interruptor, la herramienta no arranca. Para arrancar la herramienta, suelte el gatillo interruptor y luego jale el mismo nuevamente. Cuando el botón de bloqueo esté activado, apriete el gatillo interruptor completamente y suéltelo para salir del bloqueo. Luego, vuelva a jalar el gatillo interruptor.

Función electrónica

Esta herramienta está equipada con la siguiente función electrónica para facilitar la operación.

Control de velocidad constante

Es posible realizar una operación estable, porque la velocidad (frecuencia) de las vibraciones se mantiene constante incluso en condiciones de carga.

MONTAJE

⚠PRECAUCIÓN: Asegúrese siempre de que la herramienta esté apagada y el cartucho de batería haya sido extraído antes de realizar cualquier trabajo en la misma.

Instalación y desmontaje del eje flexible

Accesorio opcional

Instalación

1. Jale del eje de núcleo flexible de forma razonablemente recta para sacarlo del entubado exterior.

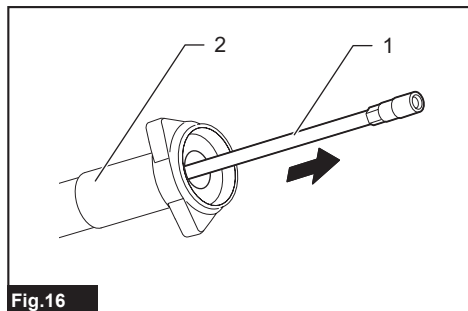


Fig.16

► 1. Eje de núcleo flexible 2. Entubado exterior

2. Sujete el eje de transmisión en la herramienta con la llave que se proporciona. Luego, enrosque con la mano el acoplador de extremo del eje de núcleo flexible sobre el eje de transmisión sólido en la herramienta.

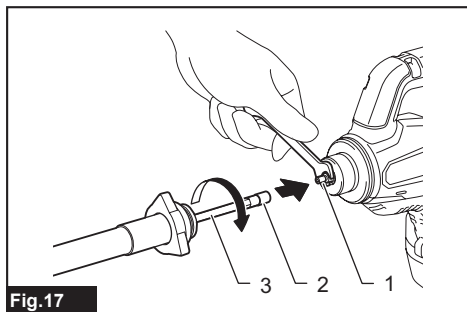


Fig.17

► 1. Eje de transmisión 2. Acoplador de extremo 3. Eje de núcleo flexible

3. Apriete firmemente el acoplador de extremo del eje de núcleo flexible firmemente mediante un par de pinzas.

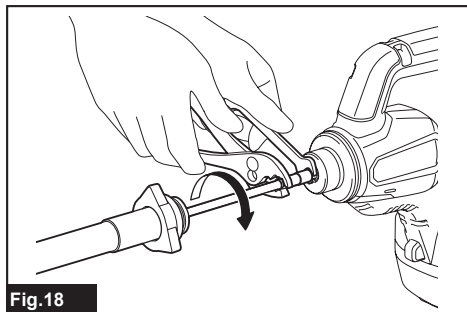


Fig.18

4. Enrosque a mano el cople del entubado exterior sobre la rosca macho de la herramienta.

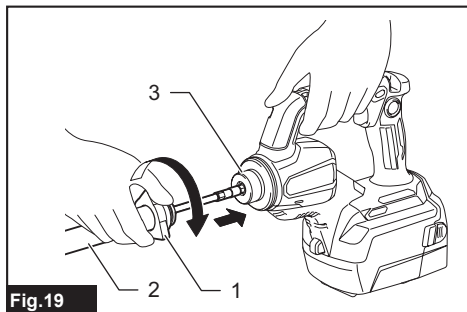


Fig.19

► 1. Cople 2. Entubado exterior 3. Rosca macho

Si el cople no alcanza o no encaja de forma segura sobre la rosca macho de la herramienta, especialmente al instalar un eje flexible largo, tire del entubado exterior más hacia la herramienta mientras gira con la mano el eje de núcleo flexible para que la parte superior del eje encaje bien en la ranura del eje en el cabezal de vibración y se acopla completamente.

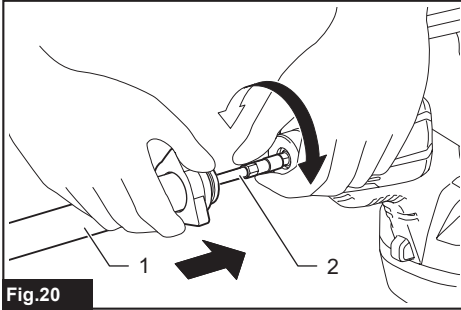


Fig.20

► 1. Entubado exterior 2. Eje de núcleo flexible

5. Golpee cada una de las tres esquinas del cople triangular con un martillo varias veces en orden aleatorio para asegurar el montaje.

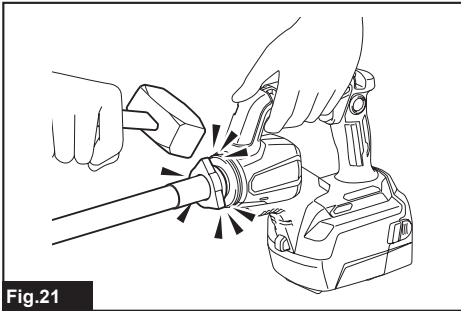


Fig.21

Desinstalación

Siga los pasos de instalación en orden inverso.

Instalación de la correa para hombro

Accesorio opcional

⚠ADVERTENCIA: Quite siempre la correa para hombro de la herramienta mientras usa unidades portátiles de alimentación eléctrica. El uso de varios arneses y correas podría afectar las posibilidades de quitarse el equipo rápidamente en caso de emergencia y provocar lesiones personales.

⚠ADVERTENCIA: No utilice las piezas para sujetar la correa de hombro para otros fines, tal como para evitar caídas en lugares altos. Si las piezas para sujetar la correa de hombro son utilizadas para otros fines, una carga excesiva podría romperlas ocasionando lesiones graves al operador y a las personas alrededor o debajo de este.

⚠PRECAUCIÓN: Asegúrese de acoplar bien los ganchos de la correa para el hombro a la herramienta. Si los ganchos no se acoplan bien, podrían soltarse y causar lesiones.

⚠PRECAUCIÓN: Asegúrese de utilizar la correa para hombro específica para esta herramienta. El uso de otro tipo de correa para hombro puede ocasionar una lesión.

Cuelgue los ganchos de la correa para hombro sobre los orificios para colgar en la parte superior de la herramienta.

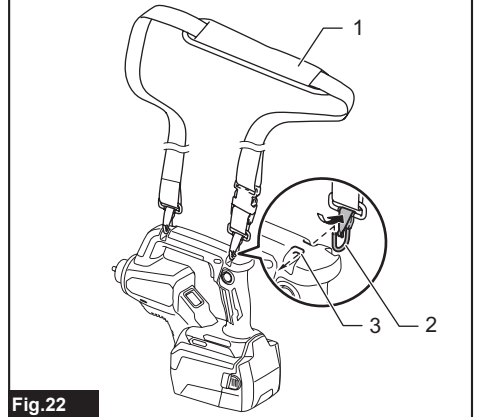


Fig.22

► 1. Correa para hombro 2. Gancho 3. Orificio para colgado

OPERACIÓN

⚠PRECAUCIÓN: Ajustese la correa por encima del hombro y sujete la herramienta firmemente con ambas manos.

AVISO: Al comienzo de la operación, el eje flexible tiende a vibrar con una amplitud mayor. La herramienta restaurará la amplitud normal después de que apriete y suelte el gatillo interruptor varias veces repetidamente.

Asegúrese de introducir y mantener el soporte del cabezal de vibración recto durante la operación. Use la herramienta dentro de los rangos efectivos de vibración en intervalos equidistantes. El rango eficaz para la eliminación de burbujas de aire es de aproximadamente diez veces el diámetro del cabezal de vibración.

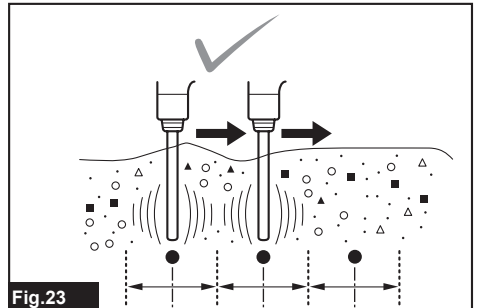


Fig.23

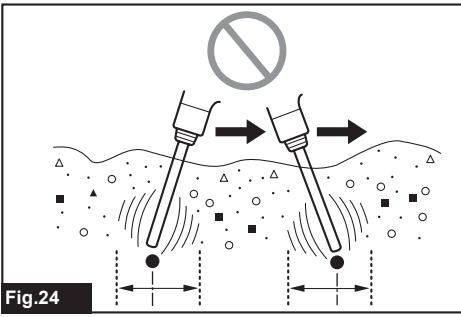


Fig.24

AVISO: No utilice la herramienta para mover concreto en el encofrado. El mortero se desprenderá y el árido grueso permanecerá, lo que causará su segregación.



Fig.25

Nivelación efectiva y eliminación de burbujas de aire

La eliminación de burbujas de aire es completa después de que la herramienta se ha operado por cada uno de los rangos efectivos, el concreto deja de comprimirse, y el mortero ha ascendido uniformemente a la superficie, dándole un aspecto claro. Retire suavemente la herramienta en funcionamiento para no dejar agujeros.

Al usar la herramienta sobre una pendiente, opérela siempre empezando por abajo. Si opera la herramienta empezando por arriba, el mortero se separará y acabará deslizándose hacia abajo.

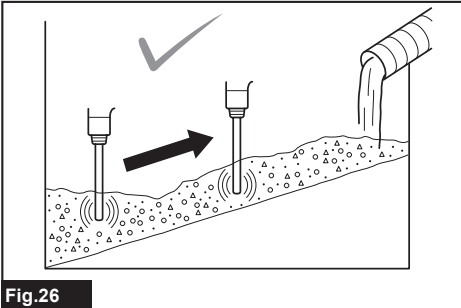


Fig.26

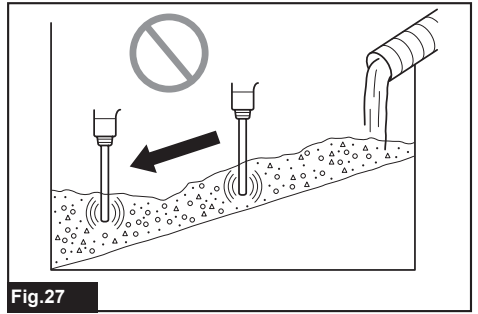


Fig.27

NOTA: Si la herramienta se hace vibrar durante un periodo prolongado en un mismo sitio, se producirá la segregación del concreto.

NOTA: Si el árido grueso se segrega al colocar concreto, quite el árido grueso con una pala y échelo donde haya mortero abundante. A continuación utilice la herramienta sobre él. No deje árido grueso en estado segregado.

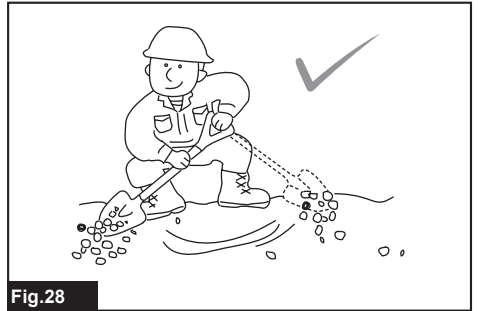


Fig.28

MANTENIMIENTO

PRECAUCIÓN: Asegúrese siempre de que la herramienta esté apagada y el cartucho de batería extraído antes de intentar realizar una inspección o mantenimiento.

AVISO: Nunca use gasolina, bencina, diluyente (tíner), alcohol o sustancias similares. Puede que esto ocasione grietas o descoloramiento.

AVISO: Evite limpiar la herramienta en agua. El agua entrará en la carcasa del motor y provocará una falla en el motor.

AVISO: Utilice un paño mojado o similar para limpiar con cuidado el concreto húmedo que haya quedado adherido a la herramienta después del uso. Hay que limpiar con especial atención los orificios de ventilación, el área del interruptor, las aberturas con cubiertas, etc.

Para mantener la SEGURIDAD y FIABILIDAD del producto, las reparaciones, y cualquier otra tarea de mantenimiento o ajuste deberán ser realizadas en centros de servicio autorizados o de fábrica Makita, empleando siempre repuestos Makita.

ACCESORIOS OPCIONALES

⚠️ PRECAUCIÓN: Estos accesorios o aditamentos están recomendados para utilizarse con su herramienta Makita especificada en este manual.

El empleo de cualquier otro accesorio o aditamento puede conllevar el riesgo de lesiones personales.

Utilice los accesorios o aditamentos solamente para su fin establecido.

Si necesita cualquier ayuda para más detalles en relación con estos accesorios, pregunte a su centro de servicio local Makita.

- $\varnothing 32$ mm x 1,2 m ($\varnothing 1\text{-}1/4$ " x 3,9 ft) del eje flexible
- $\varnothing 32$ mm x 1,7 m ($\varnothing 1\text{-}1/4$ " x 5,6 ft) del eje flexible
- $\varnothing 32$ mm x 2,4 m ($\varnothing 1\text{-}1/4$ " x 7,9 ft) del eje flexible
- Estuche de batería L
- Estuche de batería H
- Correa para hombro
- Batería y cargador originales de Makita

NOTA: Algunos de los artículos en la lista pueden incluirse en el paquete de la herramienta como accesorios estándar. Éstos pueden variar de país a país.

GARANTÍA LIMITADA DE MAKITA

Ésta Garantía no aplica para México

Consulte la hoja de la garantía anexa para ver los términos más vigentes de la garantía aplicable a este producto. En caso de no disponer de esta hoja de garantía anexa, consulte los detalles sobre la garantía descritos en el sitio web de su país respectivo indicado a continuación.

Estados Unidos de América: www.makitatools.com

Canadá: www.makita.ca

Otros países: www.makita.com

< USA only >

WARNING

Some dust created by power sanding, sawing, grinding, drilling, and other construction activities contains chemicals known to the State of California to cause cancer, birth defects or other reproductive harm. Some examples of these chemicals are:

- lead from lead-based paints,
- crystalline silica from bricks and cement and other masonry products, and
- arsenic and chromium from chemically-treated lumber.

Your risk from these exposures varies, depending on how often you do this type of work. To reduce your exposure to these chemicals: work in a well ventilated area, and work with approved safety equipment, such as those dust masks that are specially designed to filter out microscopic particles.

< Sólo en los Estados Unidos >

ADVERTENCIA

Algunos polvos creados por el lijado, aserrado, esmerilado, taladrado y otras actividades de la construcción contienen sustancias químicas reconocidas por el Estado de California como causantes de cáncer, defectos de nacimiento y otros peligros de reproducción. Algunos ejemplos de estos productos químicos son:

- plomo de pinturas a base de plomo,
- sílice cristalino de ladrillos y cemento y otros productos de albañilería, y
- arsénico y cromo de maderas tratadas químicamente.

El riesgo al que se expone varía, dependiendo de la frecuencia con la que realice este tipo de trabajo. Para reducir la exposición a estos productos químicos: trabaje en un área bien ventilada y póngase el equipo de seguridad indicado, tal como las máscaras contra polvo que están especialmente diseñadas para filtrar partículas microscópicas.

Makita Corporation

3-11-8, Sumiyoshi-cho,
Anjo, Aichi 446-8502 Japan

www.makita.com

885974A939
VR001G-1
EN, FRCA, ESMX
20220111