



MX	MEXICO
----	--------

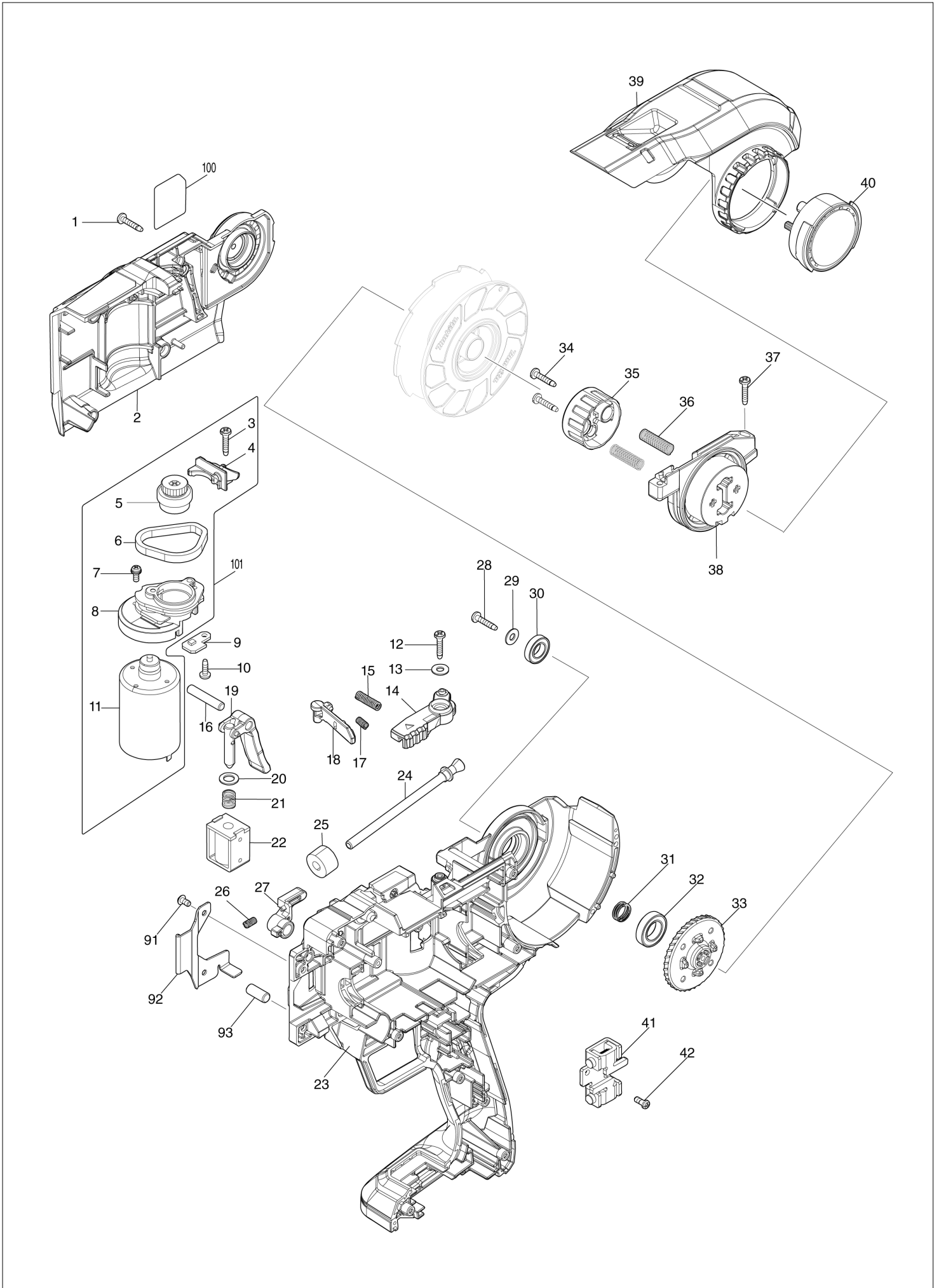
Diagram / Parts List

DTR181

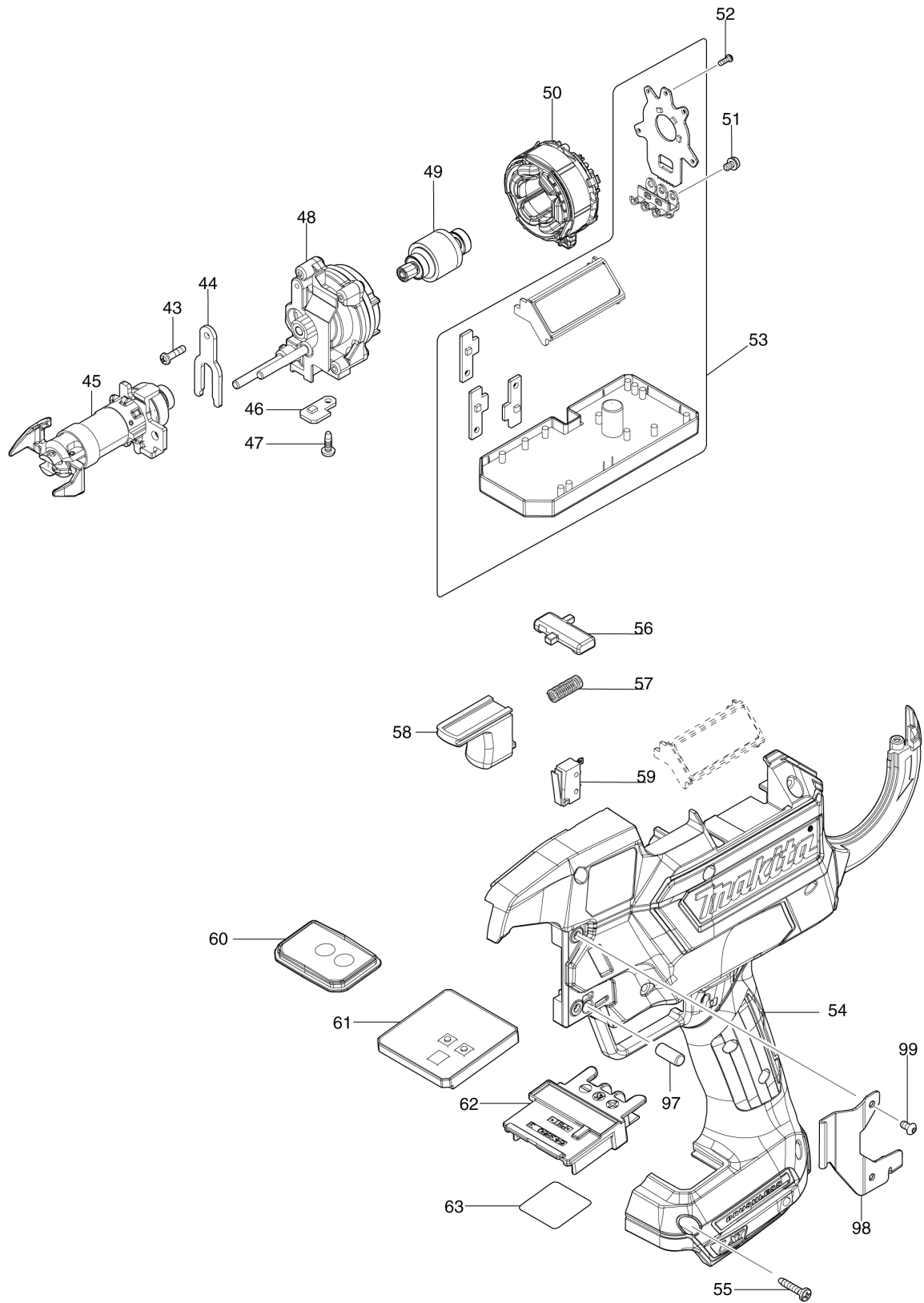
CORDLESS REBAR TYING TOOL



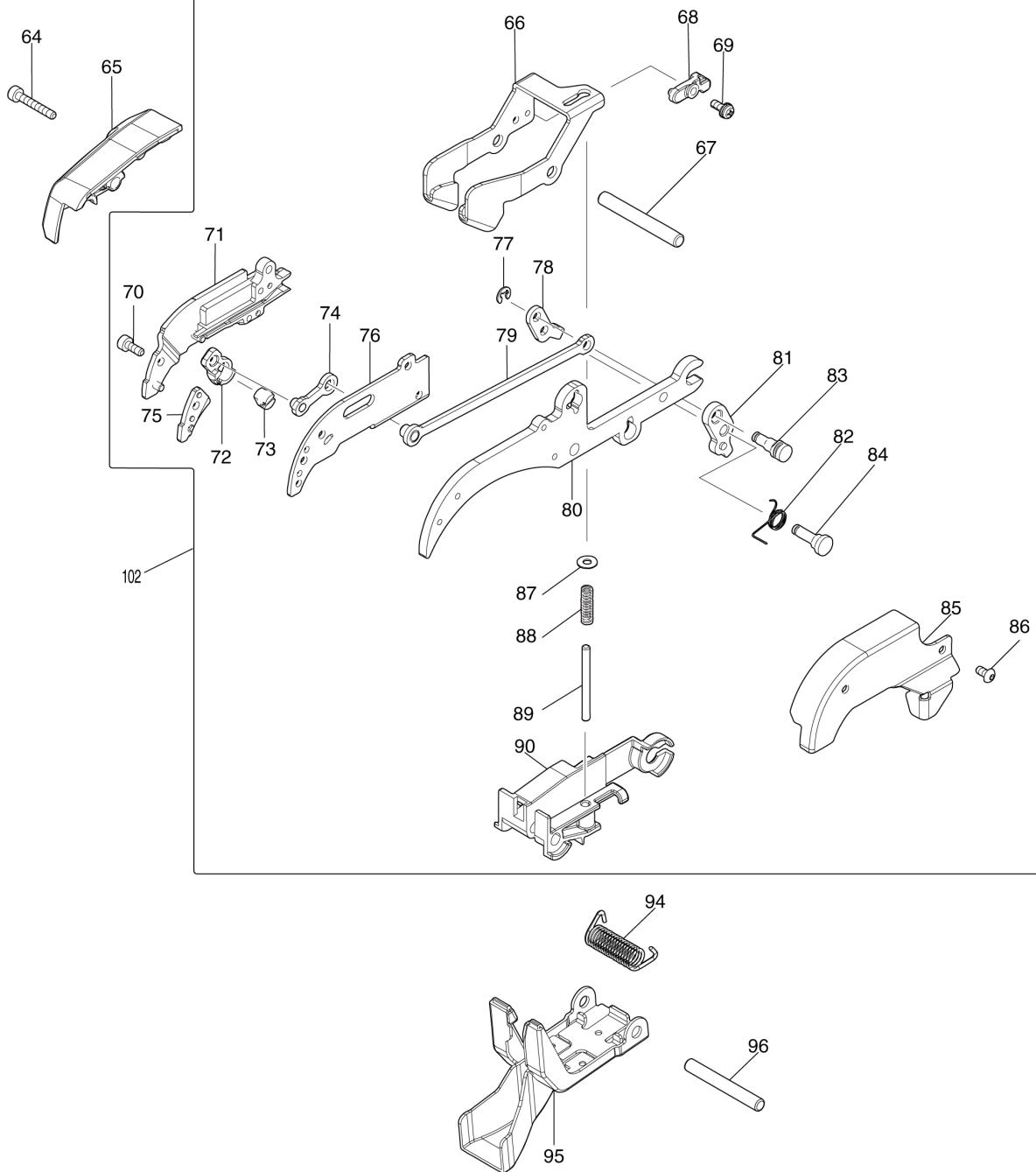
(MX) DTR181 / CORDLESS REBAR TYING TOOL



(MX) DTR181 / CORDLESS REBAR TYING TOOL



(MX) DTR181 / CORDLESS REBAR TYING TOOL



MX**MEXICO****DTR181 / CORDLESS REBAR TYING TOOL**

Item	Sub	Parts No.	Parts Description	Qty	I/C	E/C No.	Close No.	Remark
001		266130-9	TAPPING SCREW BIND PT 3X16	4				
002		140V64-5	HOUSING COVER COMPLETE	1				
	C10	817A35-8	INDICATION LABEL A	1				
	C20	817A42-1	CAUTION LABEL A	1				
	C30	817A44-7	CAUTION LABEL B	1				
003		266130-9	TAPPING SCREW BIND PT 3X16	1				
004		310864-7	WIRE GUIDE A	1				
005		135968-2	SPUR GEAR 30A ASSEMBLY	1				
006		422247-0	SPONGE SHEET A	1				
007		911008-8	PAN HEAD SCREW M3X8	2				
008		458222-0	MOTOR BASE	1				
009		620913-5	SENSOR CIRCUIT	1				
010		266007-8	TAPPING SCREW BIND PT 3X10	1				
011		629346-1	DC MOTOR	1				
012		266130-9	TAPPING SCREW BIND PT 3X16	1				
013		941051-3	FLAT WASHER 4	1				
014		136675-0	RELEASE LEVER ASS'Y	1				
015		232443-0	COMPRESSION SPRING 3	1				
016		256098-7	PIN 5	1				
017		232442-2	COMPRESSION SPRING 3	1				
018		458223-8	LOCK LEVER	1				
019		140A85-1	BRAKE ARM COMPLETE	1				
020		941152-7	FLAT WASHER 6	1				
021		232446-4	COMPRESSION SPRING 7	1				
022		679032-4	SOLENOID	1				
023		183W01-2	HOUSING SET	1				
	C10	263005-3	RUBBER PIN 6	2				
	C20	252126-6	HEX. LOCK NUT M4-7	2				
	C30	931002-4	HEX. NUT M3	6				
	C40	817A46-3	CAUTION LABEL C	1				
	D10		INC. 54					
024		140L14-0	WIRE GUIDE PIPE COMPLETE	1				
025		422249-6	SPONGE SHEET B	1				
026		232442-2	COMPRESSION SPRING 3	1				
027		144901-3	MAGNET ARM CCOMPLETE	1				
028		266130-9	TAPPING SCREW BIND PT 3X16	1				
029		941051-3	FLAT WASHER 4	1				
030		211478-4	BALL BEARING 689	1				
031		232508-8	COMPRESSION SPRING 10	1				
032		211136-2	BALL BEARING 6801LLB	1				
033		140H97-6	MAGNET WHEEL COMPLETE	1				
034		266130-9	TAPPING SCREW BIND PT 3X16	2				
035		319822-0	REEL BEARING	1				
036		231294-8	COMPRESSION SPRING 6	2				
037		266130-9	TAPPING SCREW BIND PT 3X16	2				
038		458225-4	REEL BASE	1				
039		458216-5	REEL COVER	1				
040		458221-2	REEL BEARING CAM	1				
041		126743-7	STOPPER ASSEMBLY	1				
042		265199-0	+ PAN HEAD SCREW M3X8	2				
043		911017-7	PAN HEAD SCREW M3X12	1				
044		310866-3	BEARING RTAINER	1				
045		141D23-4	MAIN SLEEVE COMPLETE	1				
046		620913-5	SENSOR CIRCUIT	1				
047		266007-8	TAPPING SCREW BIND PT 3X10	1				
048		126838-6	GEAR ASSEMBLY	1				
049		619520-9	ROTOR	1				
050		629343-7	STATOR	1				
051		652069-6	FLAT HEAD SCREW M3X6	3				
052		266490-9	TAPPING SCREW PT 2X6	3				
053		140X54-0	MAIN CONTROLLER COMPLETE	1				
	C10	817A37-4	INDICATION LABEL B	1				
054		183W01-2	HOUSING SET	1				
	C10	263005-3	RUBBER PIN 6	2				
	C20	252126-6	HEX. LOCK NUT M4-7	2				

B:DTR181RTE(L)

Interchange

O : Yes

X : No

< : the new part can be substituted for the current.

> : the current part can be substituted for the new.

S : Interchangeable as a set.

MX**MEXICO****DTR181 / CORDLESS REBAR TYING TOOL**

Item	Sub	Parts No.	Parts Description	Qty	I/C	E/C No.	Close No.	Remark
	C30	931002-4	HEX. NUT M3	6				
	C40	817A46-3	CAUTION LABEL C	1				
	D10		INC. 23					
055		266130-9	TAPPING SCREW BIND PT 3X16	11				
056		458219-9	TRIGGER LOCK	1				
057		234037-7	COMPRESSION SPRING 5	1				
058		458220-4	TRIGGER	1				
059		632L94-5	SWITCH UNIT	1				
060		140B67-9	SWITCH PLATE COMPLETE	1				
	C10	817A39-0	INDICATION LABEL C	1				
061		620924-0	SWITCH CIRCUIT	1				
062		643860-3	TERMINAL	1				
063		811K07-5	DTR181 SERIAL NO. LABEL	1				
064		265633-0	HEX SOCKET HEAD BOLT M3X20	1				
065		458217-3	CONTACT PLATE COVER	1				
066		347831-9	CONTACT PLATE	1				
067		256573-3	PIN 5	1				
068		144903-9	MAGNET BASE B COMPLETE	1				
069		911008-8	PAN HEAD SCREW M3X8	1				
070		265634-8	HEX SOCKET HEAD BOLT M3X8	1				
071		162945-1	WIRE GUIDE B COMPLETE	1				
072		310815-0	CUTTER B	1				
073		310814-2	CUTTER A	1				
074		161872-9	LINK ARM A COMPLETE	1				
075		347773-7	TOP PLATE	1				
076		347772-9	GUIDE PLATE A	1				
077		961017-7	STOP RING E-3	2				
078		347720-8	PULL PLATE	1				
079		162943-5	LINK ARM B COMPLETE	1				
080		347770-3	GUIDE ARM A	1				
081		347329-6	PUSH PLATE	1				
082		232445-6	TORSION SPRING 7	1				
083		256400-4	SHOULDER PIN 4	1				
084		256399-3	SHOULDER PIN 4	1				
085		347771-1	GUIDE PLATE B	1				
086		265635-6	H.S.BUTTON HEAD SCREW M3X6	2				
087		941001-8	FLAT WASHER 3	1				
088		232444-8	COMPRESSION SPRING 4	1				
089		256390-1	PIN 3	1				
090		458226-2	LEAD HOLDER	1				
091		265635-6	H.S.BUTTON HEAD SCREW M3X6	2				
092		347813-1	SIDE PLATE R	1				
093		263040-1	RUBBER PIN 6	1				
094		232448-0	TORSION SPRING 6	1				
095		162946-9	CURL GUIDE COMPLETE	1				
096		256573-3	PIN 5	1				
097		263040-1	RUBBER PIN 6	1				
098		347812-3	SIDE PLATE L	1				
099		265635-6	H.S.BUTTON HEAD SCREW M3X6	2				
100		811K01-7	DTR181 NAME PLATE	1				
101		135999-1	DC MOTOR ASSY	1				
	D10		INC. 3-8,11					
102		136447-3	GUIDE ARM ASSY	1				
	D10		INC. 66-90					
A01		251314-2	+ SCREW M4X12	1				
A02		346449-3	HOOK	1				
A03		783208-8	HEX. WRENCH 2.5	1				
A04		162755-6	NYLON BRUSH	1				
A05B		141G12-7	PLASTIC CASE COMPLETE	1				
	C10	163455-1	LATCH	2				
	C20	8008X6-2	CAUTION LABEL	1				
A09B		***DC18RC	DC18RC FAST CHARGER	1				
	D10		COMPO-PARTS					
A10B		450128-8	BATTERY COVER	1				
A11B		197283-2	BATTERY BL1850B SET	2				

B:DTR181RTE(L)

Interchange

O : Yes

X : No

< : the new part can be substituted for the current.

> : the current part can be substituted for the new.

S : Interchangeable as a set.