



MX

MEXICO

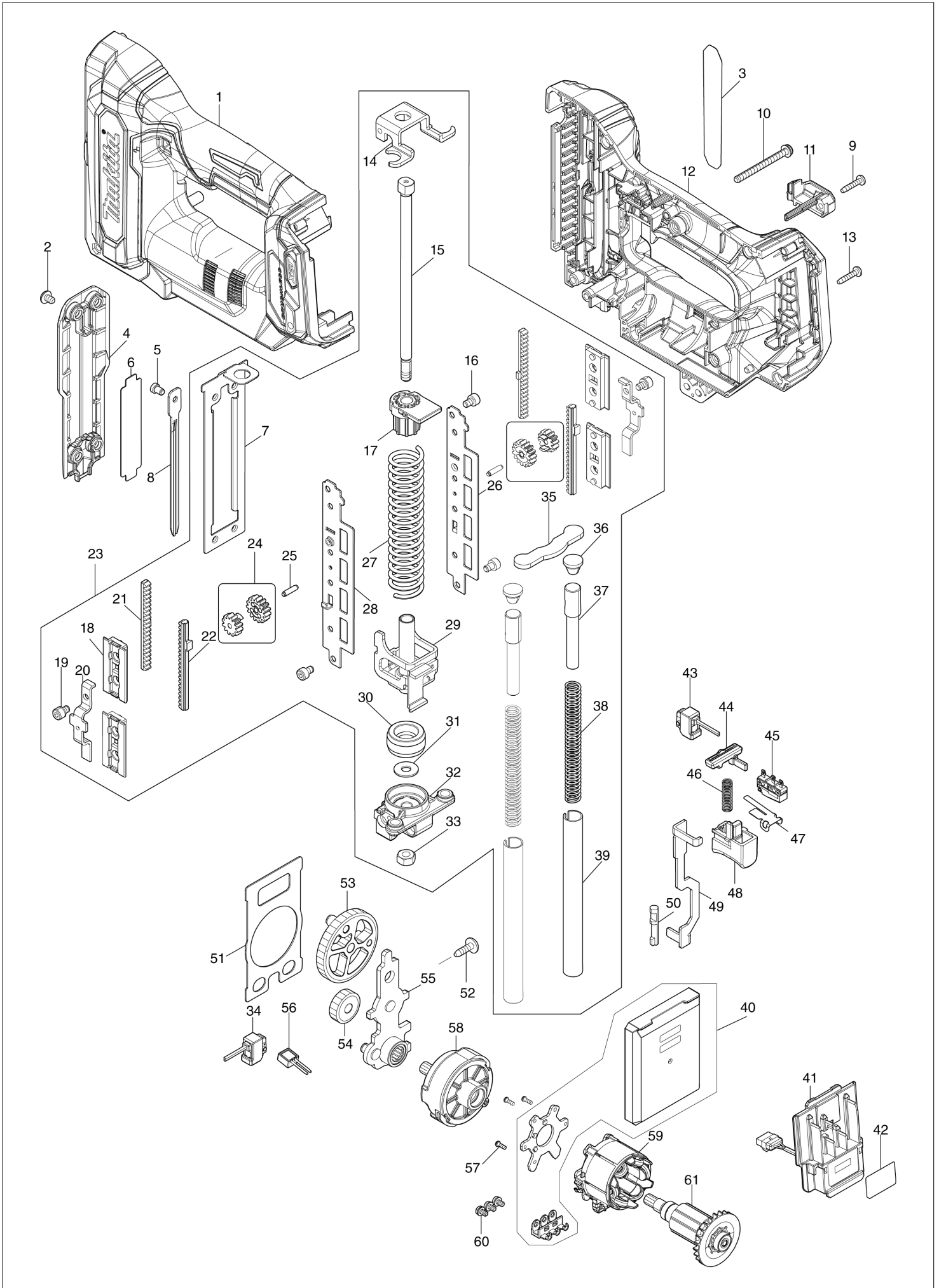
Diagram / Parts List

PT001G

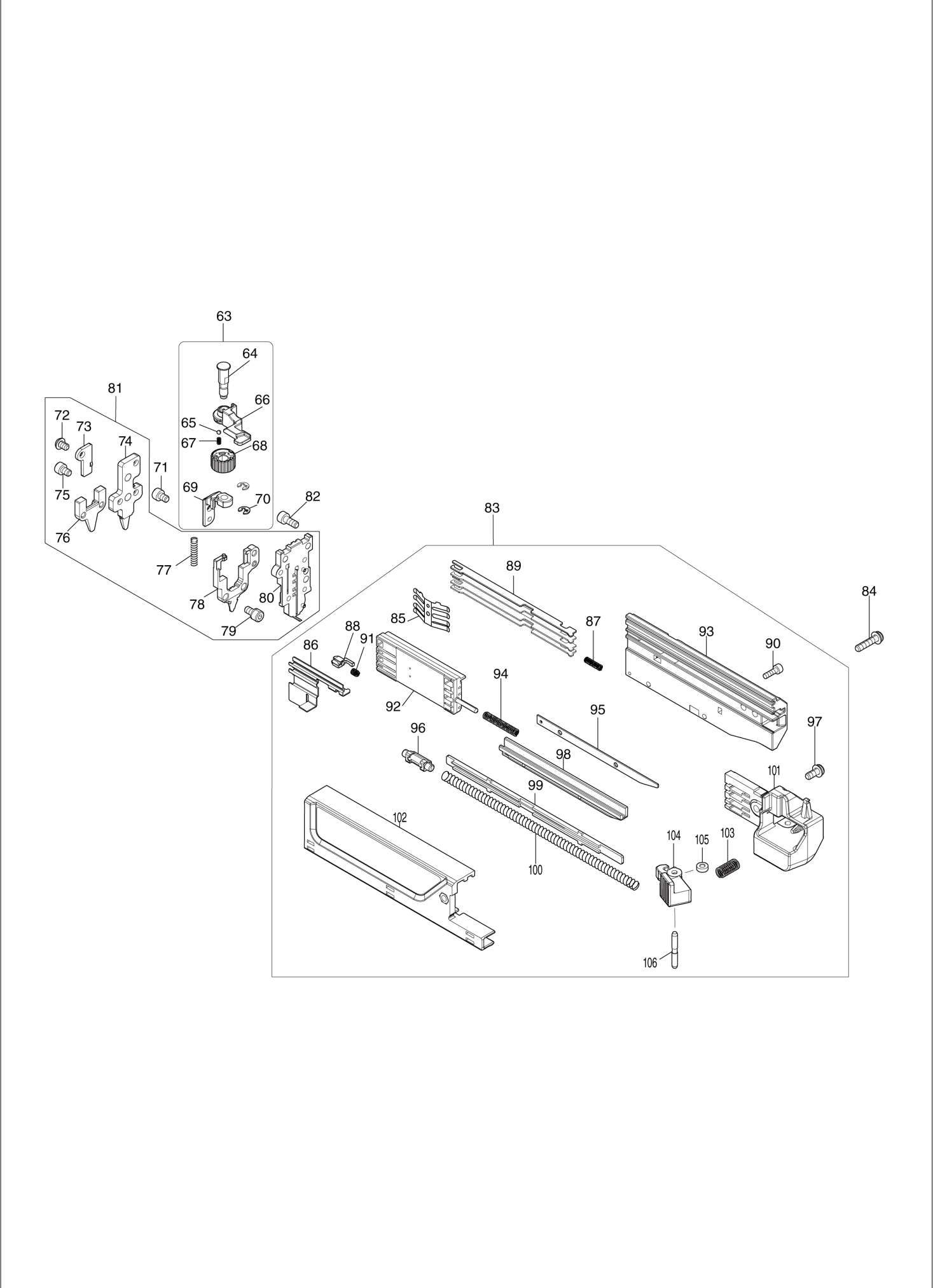
CORDLESS PIN NAILER



(MX) PT001G / CORDLESS PIN NAILER



(MX) PT001G / CORDLESS PIN NAILER



MX

MEXICO

PT001G / CORDLESS PIN NAILER

Item	Sub	Parts No.	Parts Description	Qty	I/C	E/C No.	Close No.	Remark
001		183V33-3	HOUSING SET	1				
	C10	263005-3	RUBBER PIN 6	2				
	C20	252126-6	HEX. LOCK NUT M4-7	2				
	C30	931102-0	HEX. NUT M4	1				
	C40	8007R2-2	XGT LOGO LABEL	1				
	D10		INC. 12					
002		915101-0	BINDING HEAD SCREW M4X6	4				
003		8116E5-4	PT001G NAME PLATE	1				
004		413D63-5	FRONT COVER	1				
005		256882-0	FLAT FILLISTER HD. PIN 4	1				
006		347528-0	UPPER PLATE	1				
007		347933-1	RAIL	1				
008		347935-7	DRIVER	1				
009		266130-9	TAPPING SCREW BIND PT 3X16	1				
010		911173-3	PAN HEAD SCREW M4X45	1				
011		413D62-7	HOUSING R COVER	1				
012		183V33-3	HOUSING SET	1				
	C10	263005-3	RUBBER PIN 6	2				
	C20	252126-6	HEX. LOCK NUT M4-7	2				
	C30	931102-0	HEX. NUT M4	1				
	C40	8007R2-2	XGT LOGO LABEL	1				
	D10		INC. 1					
013		266130-9	TAPPING SCREW BIND PT 3X16	9				
014		347936-5	BOTTOM PLATE	1				
015		327939-5	GUIDE BOLT	1				
016		266199-3	HEX.SOCKET HEAD BOLT M4X6	4				
017		313406-6	BOTTOM HOLDER	1				
018		413330-4	COUNTER WEIGHT HOLDER	4				
019		251566-5	H.S.H BOLT M4X6 WITH W	2				
020		347146-4	PINION GUIDE	2				
021		313421-0	COUNTER WEIGHT A	2				
022		310925-3	COUNTER WEIGHT B	2				
023		136695-4	COUNTER WEIGHT ASS'Y	1				
	D10		INC. 7, 14-22,24-33,35-39					
024		136104-3	SPUR GEAR ASSEMBLY	2				
025		326902-5	PINION SHAFT	2				
026		347938-1	GUIDE RAIL L	1				
027		232741-2	COMPRESSION SPRING 17	1				
028		347939-9	GUIDE RAIL R	1				
029		347937-3	HAMMER	1				
030		422457-9	CUSHION	1				
031		253804-1	FLAT WASHER 6	1				
032		312C49-9	HOLDER	1				
033		252273-3	HEX. NUT M6	1				
034		140W22-7	SWITCH COMPLETE	1				
035		347729-0	COUNTER STOPPER	1				
036		422592-3	COUNTER CUSHION	2				
037		327942-6	WEIGHT	2				
038		232630-1	COMPRESSION SPRING 7	2				
039		327943-4	GUIDE PIPE	2				
040		620H96-9	CONTROLLER	1				
041		632R99-1	TERMINAL UNIT	1				
042		8116F2-7	PT001G SERIAL NO. LABEL	1				
043		140W22-7	SWITCH COMPLETE	1				
044		456799-9	TRIGGER LOCK	1				
045		632S31-1	SWITCH UNIT	1				
046		232370-1	COMPRESSION SPRING 5	1				
047		232672-5	LEAF SPRING	1				
048		413328-1	TRIGGER	1				
049		347932-3	LOCK ARM	1				
050		327941-8	LOCK PIN	1				
051		347934-9	GEAR PLATE	1				
052		266901-4	TAPPING SCREW 4X14	1				
053		141G69-8	SPUR GEAR 61 COMPLETE	1				
054		226892-1	SPUR GEAR 25	1				

A:PT001GZ(N)

Interchange

O : Yes

X : No

< : the new part can be substituted for the current.

> : the current part can be substituted for the new.

S : Interchangeable as a set.

