



MX

MEXICO

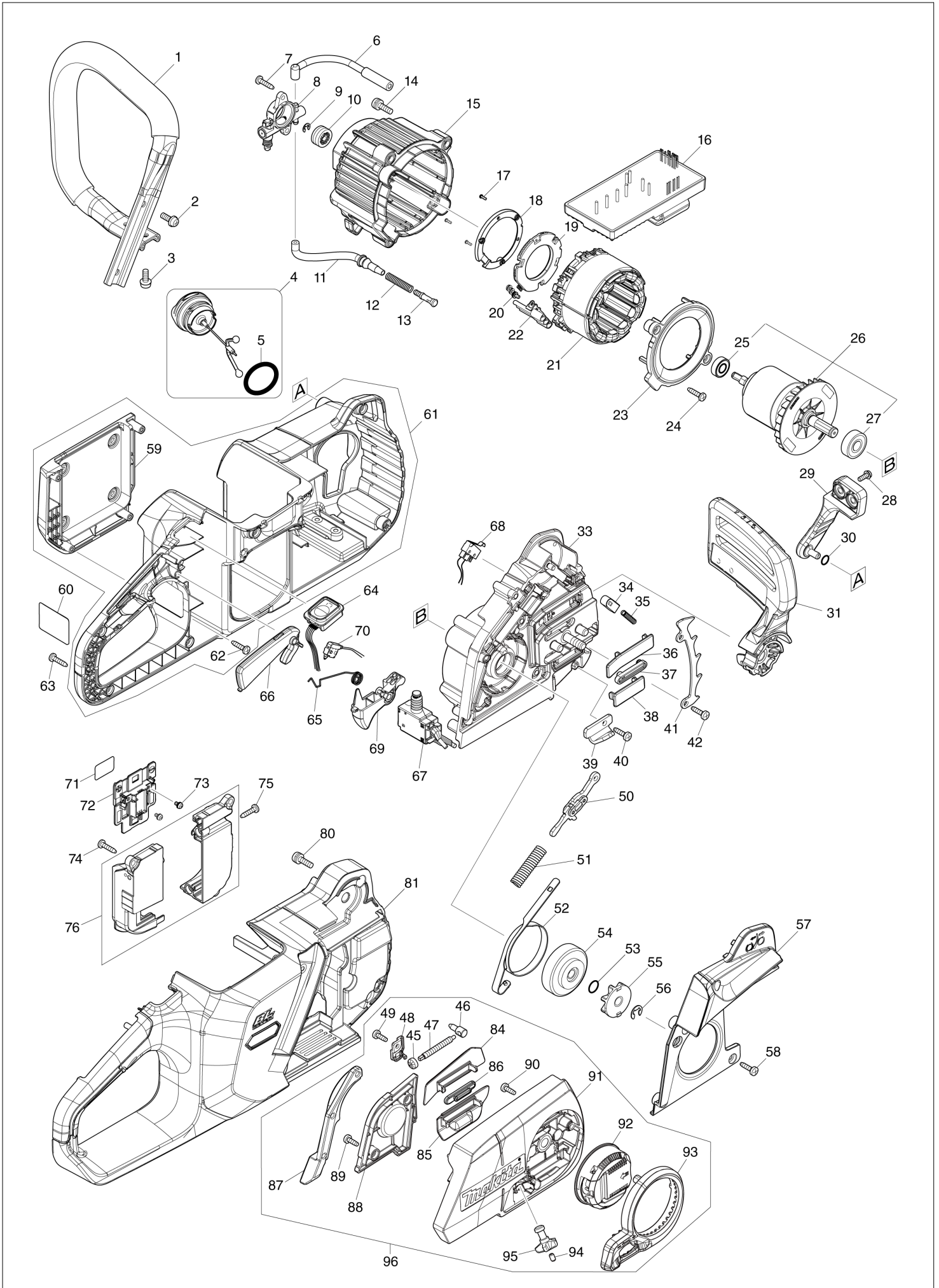
Diagram / Parts List

UC017G

450MM CORDLESS CHAIN SAW



(MX) UC017G / 450MM CORDLESS CHAIN SAW



MX	MEXICO
-----------	---------------

UC017G / 450MM CORDLESS CHAIN SAW

Item	Sub	Parts No.	Parts Description	Qty	I/C	E/C No.	Close No.	Remark
001		327932-9	FRONT HANDLE	1				
002		911218-7	PAN HEAD SCREW M5X14	2				
003		911218-7	PAN HEAD SCREW M5X14	2				
004		122A77-2	TANK CAP ASSEMBLY	1				
	D10		INC. 5					
005		213080-9	O RING 29.5	1			DG817	
005-1		213A30-0	O-RING 29.5	1	O	DG817		
006		422835-3	OIL TUBE 3-117	1				
007		266326-2	TAPPING SCREW 4X18	2				
008		142857-4	OIL PUMP COMPLETE	1				
009		961011-9	STOP RING E-4	1				
010		226884-0	WORM GEAR	1				
011		422836-1	OIL TUBE 3-108	1				
012		231975-4	SPRING	1				
013		452666-6	NIPPLE	1				
014		911228-4	PAN HEAD SCREW M5X18	3				
015		413C89-1	MOTOR HOUSING	1				
016		620H72-3	CONTROLLER	1				
017		266490-9	TAPPING SCREW PT 2X6	3				
018		687B69-9	STOPPER	1				
019		620H75-7	CONTROLLER B	1				
020		652031-1	PAN HEAD SCREW M3X6	3				
021		629B00-9	STATOR	1				
022		632T19-7	LEAD UNIT	1				
023		413C90-6	BAFFLE PLATE	1				
024		266326-2	TAPPING SCREW 4X18	2				
025		210016-9	BALL BEARING 698ZZ	1				
026		519732-3	ROTOR ASS'Y	1				
	D10		INC. 25,27					
027		210059-1	BALL BEARING 6000DDW	1				
028		911118-1	PAN HEAD SCREW M4X12	2				
029		413C92-2	FRONT HAND GUARD RETAINER	1				
030		213594-8	O RING 7	1				
031		141J69-6	FRONT HAND GUARD COMPLETE	1				
	C10	8050E6-6	CAUTION LABEL	1				
033		136612-4	HOUSING BASE ASSEMBLY	1				
	C10	263002-9	RUBBER PIN 4	1				
034		313398-9	HAND GUARD GUIDE	1				
035		234210-9	COMPRESSION SPRING 3	1				
036		413D07-5	GUARD A	1				
037		422834-5	GROMMET A	1				
038		413D08-3	GUARD B	1				
039		347924-2	CHAIN CATCHER	1				
040		266034-5	TAPPING SCREW CT 4X16	1				
041		347925-0	SPIKE BUMPER	1				
042		266034-5	TAPPING SCREW CT 4X16	1				
045		227496-2	STRAIGHT BEVEL GEAR 14	1				
046		326310-0	ADJUST PIN	1				
047		327958-1	ADJUST SCREW	1				
048		413F29-7	COVER	1				
049		266427-6	TAPPING SCREW 4X12	1				
050		141E60-4	LINK PLATE COMPLETE	1				
051		232452-9	COMPRESSION SPRING 7	1				
052		347922-6	BRAKE BAND COMPLETE	1				
053		213060-5	O RING 10	1				
054		162979-4	BRAKE DRUM	1				
055		191V91-5	SPROCKET 7 SET	1				
056		961013-5	STOP RING E-7	1				
057		413C95-6	BRAKE COVER	1				
058		266034-5	TAPPING SCREW CT 4X16	6				
059		413C88-3	BATTERY COVER	1				
060		8117P9-9	UC017G NAME PLATE	1				
061		136689-9	HOUSING L ASSEMBLY	1				
	D10		INC. 59,62					
062		266326-2	TAPPING SCREW 4X18	4				

A:UC017GZ(N)
B:UC017GT101(L)

Interchange
O : Yes
X : No
< : the new part can be substituted for the current.
> : the current part can be substituted for the new.
S : Interchangeable as a set.

