



ES	SPAIN
----	-------

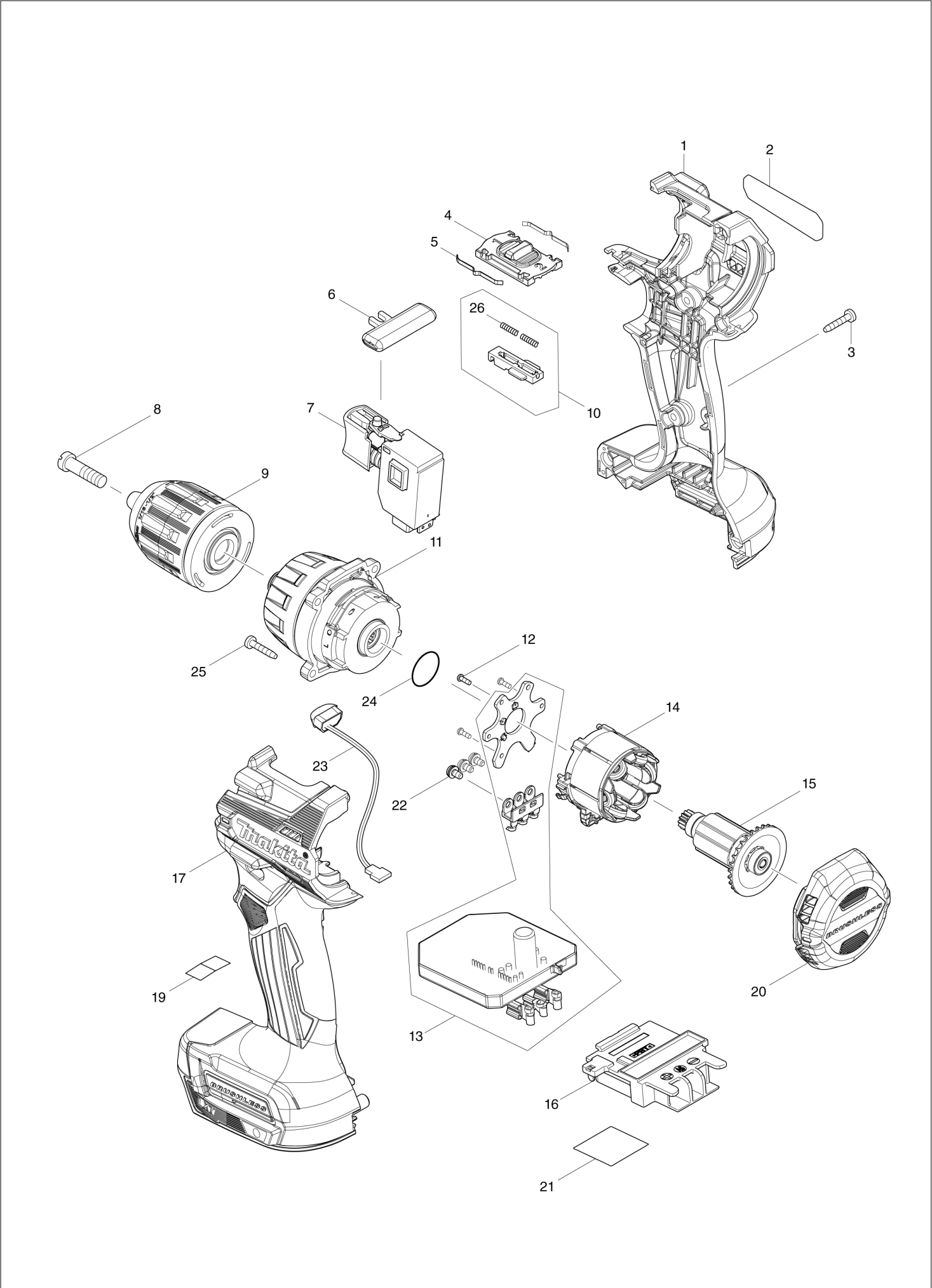
# Diagram / Parts List

**DDF487**

**CORDLESS DRIVER DRILL**



(ES) DDF487 / CORDLESS DRIVER DRILL



<b>ES</b>	<b>SPAIN</b>
-----------	--------------

**DDF487 / CORDLESS DRIVER DRILL**

Item	Sub	Parts No.	Parts Description	Qty	I/C	E/C No.	Close No.	Remark
001		183S07-6	HOUSING SET	1				
	C10	263005-3	RUBBER PIN 6	2				
	C20	252126-6	HEX. LOCK NUT M4-7	2				
	D10		INC. 17					
002		858E10-9	DDF487 NAME PLATE	1				
003		266429-2	TAPPING SCREW 3X16	7				
004		413310-0	SPEED CHANGE LEVER	1				
005		232493-5	LEAF SPRING	2				
006		419041-9	F/R CHANGE LEVER	1				
007		650689-0	SWITCH C3JW-2B	1				
008		251468-5	- FLAT HEAD SCREW M6X22	1				
009		763256-3	KEYLESS DRILL CHUCK 13	1				
010		127758-7	CHANGE LEVER ASSEMBLY	1				
	D10		INC. 26					
011		127757-9	GEAR ASSEMBLY	1			D9363	
011-1		122B22-3	GEAR ASSEMBLY	1	O	D9363		
012		266490-9	TAPPING SCREW PT 2X6	3			DA950	
012-1		265C47-1	TAPPING SCREW PT 2X6	3	<	DA950		
013		620E45-8	CONTROLLER	1				
014		629A41-9	STATOR	1				
015		619671-8	ROTOR	1				
016		643874-2	TERMINAL	1				
017		183S07-6	HOUSING SET	1				
	C10	263005-3	RUBBER PIN 6	2				
	C20	252126-6	HEX. LOCK NUT M4-7	2				
	D10		INC. 1					
020		413309-5	REAR COVER	1				
021		858E18-3	DDF487 SERIAL NO. LABEL	1				
022		652069-6	FLAT HEAD SCREW M3X6	3				
023		620549-0	LED CIRCUIT	1				
024		213087-5	O-RING 16.5	1			DB053	
024-1		213A10-6	O-RING 16.5	1	O	DB053		
025		266429-2	TAPPING SCREW 3X16	4				
026		233025-1	COMPRESSION SPRING 2	2				
A01		251314-2	+ SCREW M4X12	1				
A02A		346317-0	HOOK	1				
A02B		346449-3	HOOK	1				
A03		784637-8	+ - BIT 2-45	1				
A04B		821550-0	CONNECTOR PLASTIC CASE (TYPE2)	1				
	C10	453974-8	LATCH	4				
A05B		450128-8	BATTERY COVER	1				
A06B		***DC18RC	DC18RC FAST CHARGER	1				
	D10		COMPO-PARTS					
A07B		197254-9	BATTERY BL1820B SET	2				
A08B		837670-0	INNER TRAY	1				
A09B		8029F7-6	DDF487RAJ INDICATION LABEL	1				
A10B		8029F8-4	DDF487RAJ PLASTIC CASE LABEL	2				

A:DDF487Z(N)  
B:DDF487RAJ(H)

Interchange  
O : Yes  
X : No  
< : the new part can be substituted for the current.  
> : the current part can be substituted for the new.  
S : Interchangeable as a set.