



MX	MEXICO
----	--------

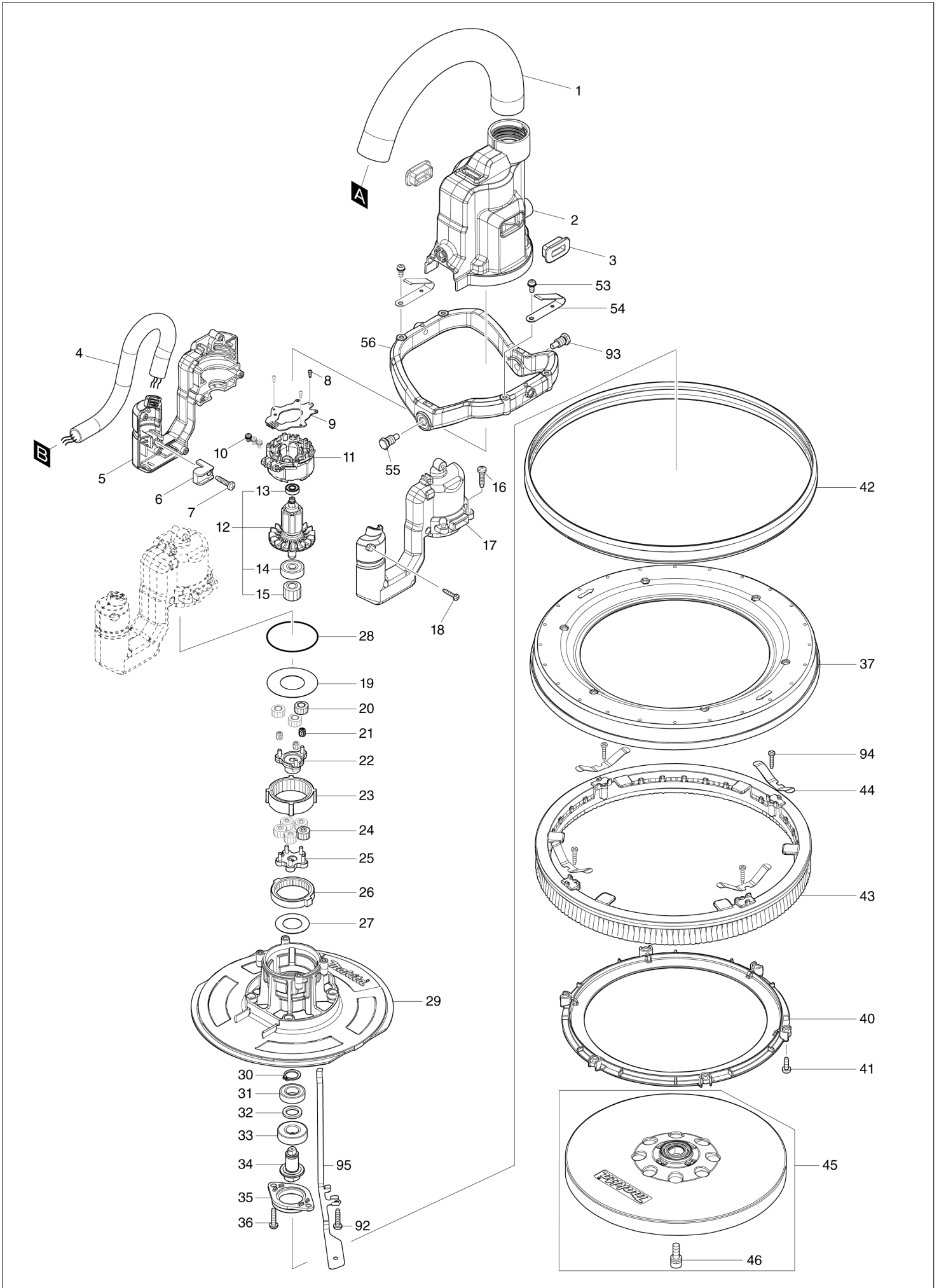
Diagram / Parts List

DSL801

225MM CORDLESS DRYWALL SANDER



(MX) DSL801 / 225MM CORDLESS DRYWALL SANDER



MX

MEXICO

DSL801 / 225MM CORDLESS DRYWALL SANDER

Item	Sub	Parts No.	Parts Description	Qty	I/C	E/C No.	Close No.	Remark
001		245058-4	HOSE 28-0.25	1				
002		459217-6	HEAD COVER	1				
003		422446-4	RUBBER CAP	2				
004		699129-3	POWER SUPPLY CORD UNIT	1				
005		183L77-3	MOTOR HOUSING SET	1				
	D10		INC. 17					
006		687261-5	STRAIN RELIEF	1				
007		265995-6	TAPPING SCREW 4X18	1				
008		266490-9	TAPPING SCREW PT 2X6	3				
009		620B02-8	CONTROLLER B	1				
010		652069-6	FLAT HEAD SCREW M3X6	3				
011		629409-3	STATOR	1				
012		519567-2	ROTOR ASSY	1				
	D10		INC. 13-15					
013		210039-7	BALL BEARING 695DDW	1				
014		210023-2	BALL BEARING 627DDW	1				
015		226888-2	SPUR GEAR 19	1				
016		265995-6	TAPPING SCREW 4X18	4				
017		183L77-3	MOTOR HOUSING SET	1				
	D10		INC. 5					
018		266429-2	TAPPING SCREW 3X16	6			DE715	
018-1		266130-9	TAPPING SCREW BIND PT 3X16	6	O	DE715		
019		253437-2	FLAT WASHER 23	1				
020		226886-6	SPUR GEAR 14	3				
021		212131-5	NEEDLE CAGE 307	3				
022		140J82-1	SPUR GEAR 17 COMPLETE	1				
023		226890-5	INTERNAL GEAR 47	1				
024		226885-8	SPUR GEAR 13	5				
025		140J81-3	CARRIER COMPLETE	1				
026		226889-0	INTERNAL GEAR 43	1				
027		267789-5	FLAT WASHER 18	1				
028		213606-7	O RING 48	1				
029		413828-1	GEAR HOUSING	1				
030		961052-5	RETAINING RING S-12	1				
031		211150-8	BALL BEARING 6901ZZ	1				
032		253746-9	FLAT WASHER 12	1				
033		210105-0	BALL BEARING 6001LLU	1				
034		327318-7	SPINDLE	1				
035		319823-8	BEARING RETAINER 47	1				
036		265995-6	TAPPING SCREW 4X18	2				
037		413488-9	COVER	1				
	C10	931102-0	HEX. NUT M4	6				
040		413489-7	BRUSH STOPPER	1				
041		911123-8	PAN HEAD SCREW M4X14	6				
042		422729-2	RUBBER GUARD	1				
043		743127-0	BRUSH	1				
044		232510-1	LEAF SPRING	4				
045		199939-3	PAD 210 SET	1				
	D10		INC. 46					
046		922323-5	HEX.SOCKET HEAD BOLT M6X16	1				
047		413490-2	HOSE CONNECTOR	1				
049		422617-3	JOINT	1				
051		140N60-5	PIPE A COMPLETE	1				
	D10		INC. 68					
052		183T15-3	ARM SET	1				
	D10		INC. 57					
053		911113-1	PAN HEAD SCREW M4X10 WITH WR	2				
054		232534-7	LEAF SPRING	2				
055		265A35-6	HEX. BOLT M8X17	1				
056		319808-4	FRAME	1				
057		183T15-3	ARM SET	1				
	D10		INC. 52					
058		262561-0	SLEEVE 6	2				
059		911334-5	PAN HEAD SCREW M6X20	2				
060		265995-6	TAPPING SCREW 4X18	4				

Interchange

O : Yes

X : No

< : the new part can be substituted for the current.

> : the current part can be substituted for the new.

S : Interchangeable as a set.

