



ES	SPAIN
----	-------

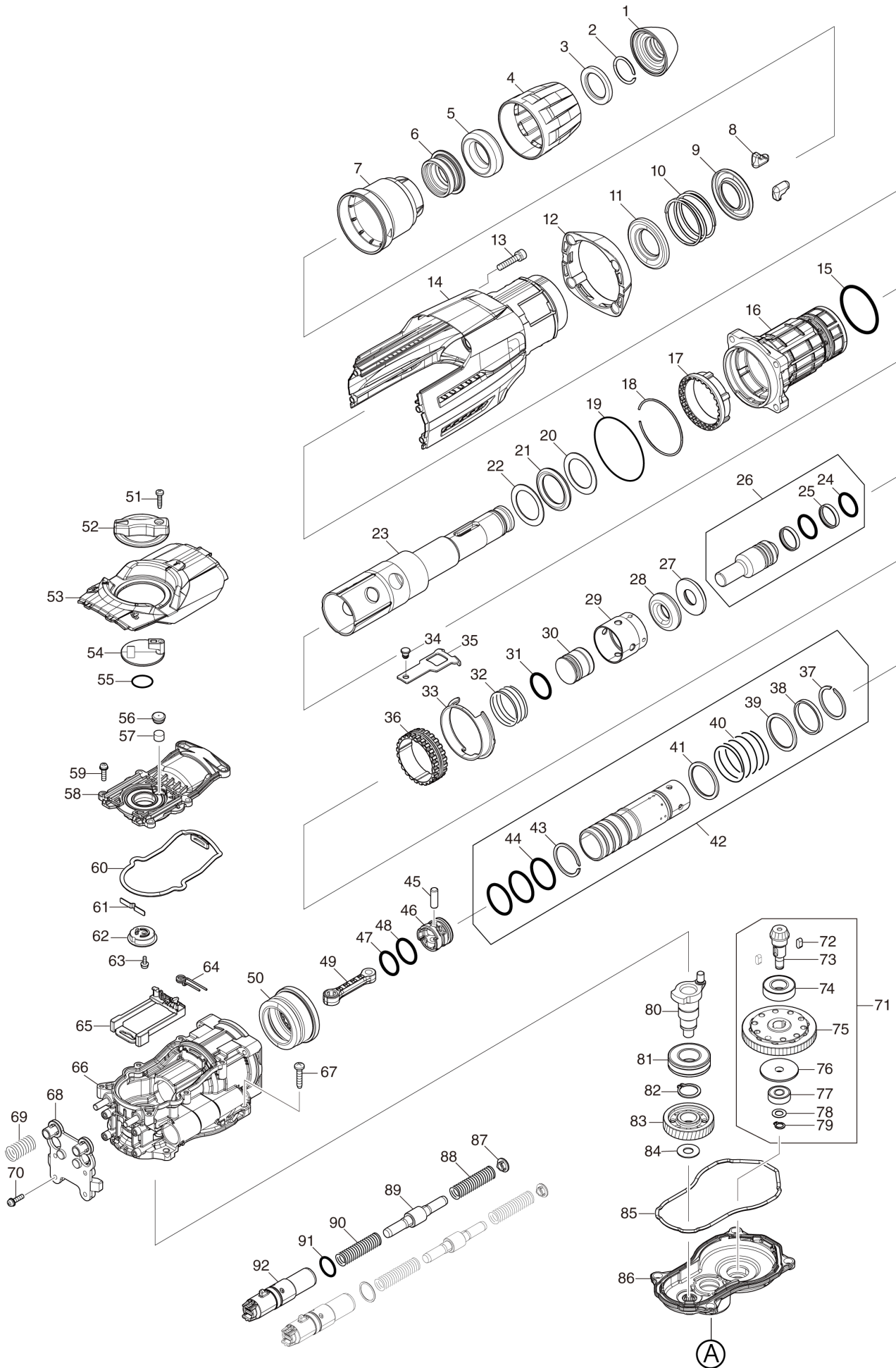
Diagram / Parts List

HR005G

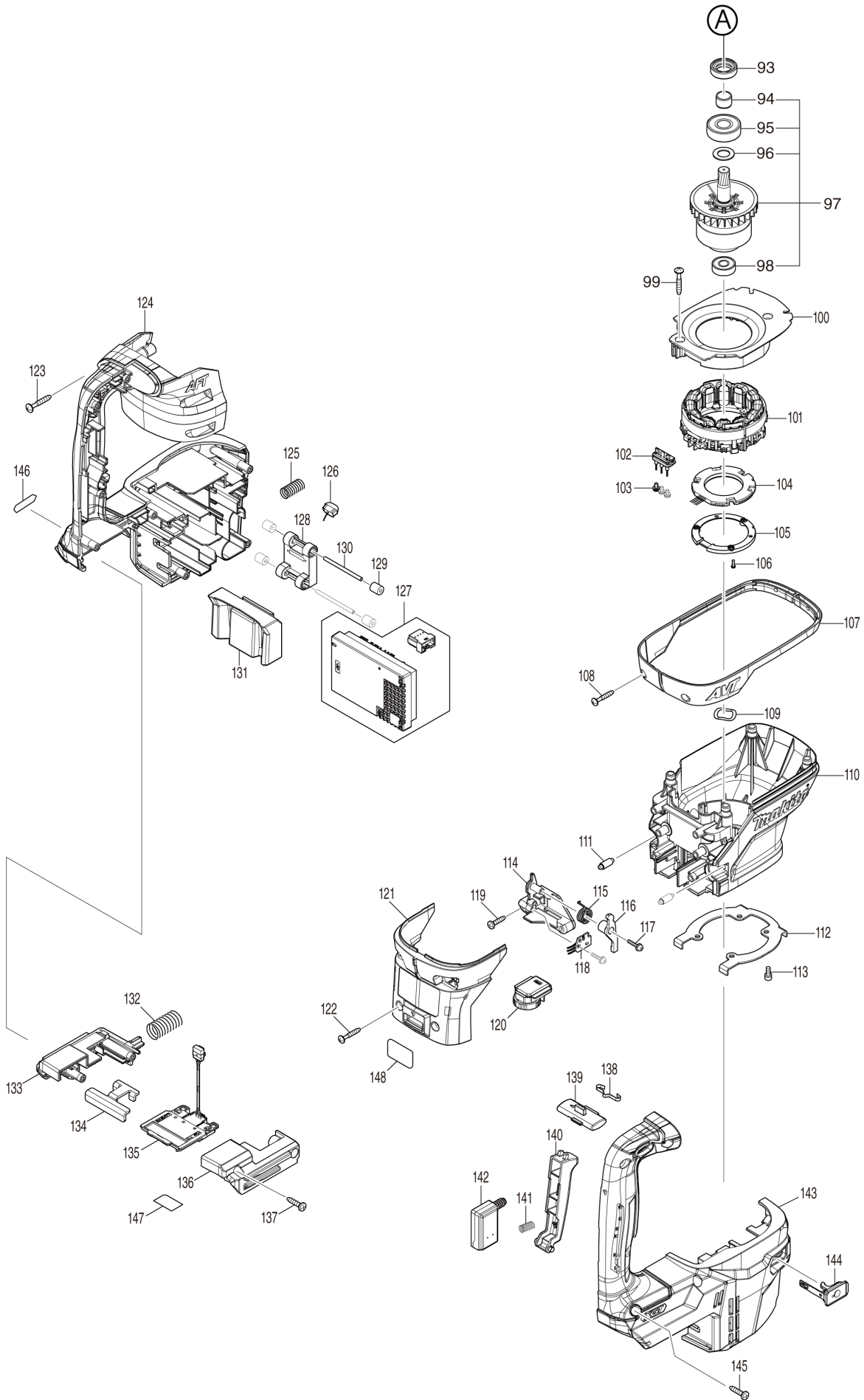
40MM CORDLESS ROTARY HAMMER



(ES) HR005G / 40MM CORDLESS ROTARY HAMMER



(ES) HR005G / 40MM CORDLESS ROTARY HAMMER



ES

SPAIN

HR005G / 40MM CORDLESS ROTARY HAMMER

Item	Sub	Parts No.	Parts Description	Qty	I/C	E/C No.	Close No.	Remark
001		286292-7	TOOL HOLDER CAP	1				
002		233948-3	RING SPRING 25	1				
003		257308-5	RING 28	1				
004		454330-5	CHUCK COVER	1				
005		262167-4	RUBBER RING 30	1				
006		326272-2	CHUCK RING	1				
007		454331-3	RELEASE COVER	1				
008		310257-8	TOOL RETAINER	2				
009		346670-4	SPRING GUIDE	1				
010		234288-2	COMPRESSION SPRING 46	1				
011		346670-4	SPRING GUIDE	1				
012		424560-2	HOUSING CAP	1				
013		922351-0	HEX. SOCKET HEAD BOLT M6X30	4				
014		141957-7	HOUSING COVER A COMPLETE	1				
	C10	810100-6	CAUTION LABEL	1				
015		213615-6	O RING 46	1				
016		141956-9	BARREL COMPLETE	1				
	C10	213490-0	OIL SEAL 32	1				
	C20	213492-6	O-RING 32	1				
	C30	233963-7	RING SPRING 45	1				
017		454337-1	LOCK SLEEVE	1				
018		234290-5	RING SPRING 59	1				
019		213707-1	O RING 65	1				
020		267469-3	FLAT WASHER 32	1				
021		262168-2	RUBBER RING 32	1				
022		267469-3	FLAT WASHER 32	1				
023		326268-3	TOOL HOLDER	1				
024		213317-4	O RING 20	2				
025		213392-0	FLUORIDE RING 25	2				
026		136377-8	IMPACT BOLT ASSY	1				
	D10		INC. 24,25					
027		326274-8	RING 17	1				
028		262166-6	RUBBER RING 18	1				
029		454347-8	SLIDE SLEEVE	1				
030		326270-6	STRIKER	1				
031		213695-2	O-RING 22	1				
032		234289-0	COMPRESSION SPRING 33	1				
033		346673-8	GUIDE RING	1				
034		256548-2	FLAT FILLISTER HEAD PIN 6	1				
035		346671-2	LINK PLATE	1				
036		313255-1	DRIVING SLEEVE	1				
037		257991-8	RETAINING RING (EXT) WR-32.5	1				
038		257340-9	RING 33	1				
039		267470-8	FLAT WASHER 33	1				
040		234287-4	COMPRESSION SPRING 34	1				
041		267470-8	FLAT WASHER 33	1				
042		136378-6	CYLINDER ASSY	1				
	D10		INC. 37-41,43,44					
043		257991-8	RETAINING RING (EXT) WR-32.5	1				
044		213406-5	O RING 30	3				
045		256197-5	PIN 7	1				
046		419004-5	PISTON	1				
047		213379-2	O RING 21	1				
048		213695-2	O-RING 22	1				
049		454317-7	CONNECTING ROD	1				
050		227613-4	SPIRAL BEVEL GEAR 26	1				
051		265995-6	TAPPING SCREW 4X18	1				
052		454326-6	CHANGE LEVER	1				
053		313325-6	CRANK CAP COVER	1				
054		454345-2	CRANK LEVER	1				
055		213262-3	O RING 18	1				
056		424556-3	FILTER CAP	1				
057		443182-9	FILTER	1				
058		454319-3	CRANK CAP	1				
059		911128-8	P.H.SCREW M4X16 WITH WR	6				

B:HR005GM202(H)

Interchange

O : Yes

X : No

< : the new part can be substituted for the current.

> : the current part can be substituted for the new.

S : Interchangeable as a set.

ES

SPAIN

HR005G / 40MM CORDLESS ROTARY HAMMER

Item	Sub	Parts No.	Parts Description	Qty	I/C	E/C No.	Close No.	Remark
060		424559-7	SEAL RING B	1				
061		232280-2	LEAF SPRING	1				
062		458100-4	LINK LEVER	1				
063		911511-9	PAN HEAD SCREW M4X10	1				
064		233603-7	TORSION SPRING 7	1				
065		454338-9	LINK GUIDE	1				
066		141953-5	CRANK HOUSING A COMPLETE	1				
067		266041-8	TAPPING SCREW 5X25	4				
068		140Y51-2	SPRING HOLDER COMPLETE	1				
	C10	422646-6	CAP 10	2				
069		234282-4	COMPRESSION SPRING 12	2				
070		911128-8	P.H.SCREW M4X16 WITH WR	4				
071		126290-8	TORQUE LIMITER ASSEMBLY	1				
	D10		INC. 72-79					
072		254239-9	KEY 4	2				
073		227612-6	SPIRAL BEVEL GEAR 7	1				
074		211232-6	BALL BEARING 6002LLU	1				
075		141959-3	TORQUE LIMITER COMPLETE	1				
076		324727-1	SHOULDER WASHER 8	1				
077		210005-4	BALL BEARING 608DDW	1				
078		253215-0	FLAT WASHER 8	1				
079		961004-6	RETAINING RING S-8	1				
080		326271-4	CRANK SHAFT	1				
081		210183-0	BALL BEARING 6004LLU	1				
082		961060-6	RETAINING RING S-20	1				
083		227772-4	HELICAL GEAR 37	1				
084		253180-3	FLAT WASHER 10	1				
085		424558-9	SEAL RING A	1				
086		141955-1	GEAR HOUSING COMPLETE	1				
087		454342-8	SPRING PLATE	2				
088		234286-6	COMPRESSION SPRING 11	2				
089		326273-0	COUNTER WEIGHT	2				
090		234286-6	COMPRESSION SPRING 11	2				
091		213325-5	O RING 19	2				
092		142289-5	HOLDER COMPLETE	2				
093		213231-4	OIL SEAL 15	1				
094		331596-3	SLEEVE 12	1				
095		211137-0	BALL BEARING 6201LLU	1				
096		253744-3	FLAT WASHER 12	1				
097		519492-7	ROTOR ASSY	1			D9298	
	D10		INC. 94-96,98				D9298	
097-1		519707-2	ROTOR ASSY	1	O	D9298		
	D10		INC. 94-96,98			D9298		
098		210005-4	BALL BEARING 608DDW	1				
099		265999-8	TAPPING SCREW 4X25	2				
100		458099-3	BAFFLE PLATE	1				
101		629335-6	STATOR	1				
102		632R64-0	LEAD UNIT	1				
103		652031-1	PAN HEAD SCREW M3X6	3				
104		620D76-1	CONTROLLER B	1				
105		687B69-9	STOPPER	1				
106		266490-9	TAPPING SCREW PT 2X6	3				
107		454348-6	GUARD 40	1				
108		265999-8	TAPPING SCREW 4X25	2				
109		267721-9	WAVE WASHER 15	1				
110		458051-1	MOTOR HOUSING	1				
111		256380-4	SHOULDER PIN 4-6	2				
112		347299-9	GUIDE PLATE	1				
113		922111-0	HEX. SOCKET HEAD BOLT M4X10	4				
114		412951-9	BASE	1				
115		232643-2	TORSION SPRING 13	1				
116		140W56-0	LEVER COMPLETE	1				
117		263046-9	TAPPING SCREW 3X14	2				
118		620D75-3	SENSOR CIRCUIT	1				
119		265995-6	TAPPING SCREW 4X18	2				

B:HR005GM202(H)

Interchange

O : Yes

X : No

< : the new part can be substituted for the current.

> : the current part can be substituted for the new.

S : Interchangeable as a set.

ES	SPAIN
-----------	--------------

HR005G / 40MM CORDLESS ROTARY HAMMER

Item	Sub	Parts No.	Parts Description	Qty	I/C	E/C No.	Close No.	Remark
120		620796-3	DIAL CIRCUIT	1				
121		140W55-2	MOTOR HOUSING COVER COMPLETE	1				
	C10	422564-8	SPONGE SHEET	1			D7275	
	C11	422730-7	RUBBER SHEET	1	<	D7275		
122		265999-8	TAPPING SCREW 4X25	2				
123		265999-8	TAPPING SCREW 4X25	4				
124		183R84-2	HOUSING SET	1				
	D10		INC. 143					
125		232411-3	COMPRESSION SPRING 8	1				
126		620549-0	LED CIRCUIT	1				
127		620D73-7	CONTROLLER	1				
128		620D74-5	ACCELEROMETER CIRCUIT	1				
129		422472-3	SPONGE SLEEVE 3	4				
130		256886-2	ROD 3	2				
131		422642-4	CUSHION RUBBER	1				
132		232650-5	COMPRESSION SPRING 13	1				
133		183R85-0	BATTERY HOLDER SET	1				
	C10	263005-3	RUBBER PIN 6	2				
	D10		INC. 136					
134		346039-2	SUPPORT PLATE	1				
135		632P49-4	TERMINAL UNIT	1				
136		183R85-0	BATTERY HOLDER SET	1				
	C10	263005-3	RUBBER PIN 6	2				
	D10		INC. 133					
137		265995-6	TAPPING SCREW 4X18	2				
138		232152-1	LEAF SPRING	1				
139		412953-5	TRIGGER LOCK	1				
140		458097-7	SWITCH LEVER	1				
141		232418-9	COMPRESSION SPRING 5	1				
142		651083-9	SWITCH C3XA-1PSPM	1				
143		183R84-2	HOUSING SET	1				
	D10		INC. 124					
144		140F99-0	CAP COMPLETE	1				
	C10	213218-6	O RING 16	1				
	C20	818H07-8	CAP LABEL	1				
145		265995-6	TAPPING SCREW 4X18	8				
146		8012U4-2	XGT LOGO LABEL	1				
147		857X76-0	HR005G SERIAL NO. LABEL	1				
148		857X71-0	HR005G NAME PLATE	1				
A01		123138-5	SIDE GRIP ASSEMBLY	1				
A02		196792-8	SIDE HANDLE 73 SET	1				
A03		194683-7	GREASE VESSEL SET	1				
A04		821837-0	PLASTIC CASE	1				
A05		331955-1	DEPTH GAUGE	1				
A06		443122-7	CLOTH	1				
A07		198900-7	WIRELESS UNIT SET	1			D4357	
A07-1		198900-7	WIRELESS UNIT SET	1	<	D4357	DB384	
A07-2		198900-7	WIRELESS UNIT SET	1	<	DB384		
A08B		412393-7	BATTERY COVER	2				
A09B		191B26-6	BATTERY BL4040 SET	2				
A10B		***DC40RA	DC40RA FAST CHARGER	1				
	D10		COMPO-PARTS					
B01		191N29-2	HAMMER SERVICE KIT	1		Y08689		
	C10	181490-7	HAMMER GREASE 30G	2		Y08689		
	D10		INC. 1,2,8,24,25,31,47,48			Y08689		

B:HR005GM202(H)

Interchange
 O : Yes
 X : No
 < : the new part can be substituted for the current.
 > : the current part can be substituted for the new.
 S : Interchangeable as a set.