



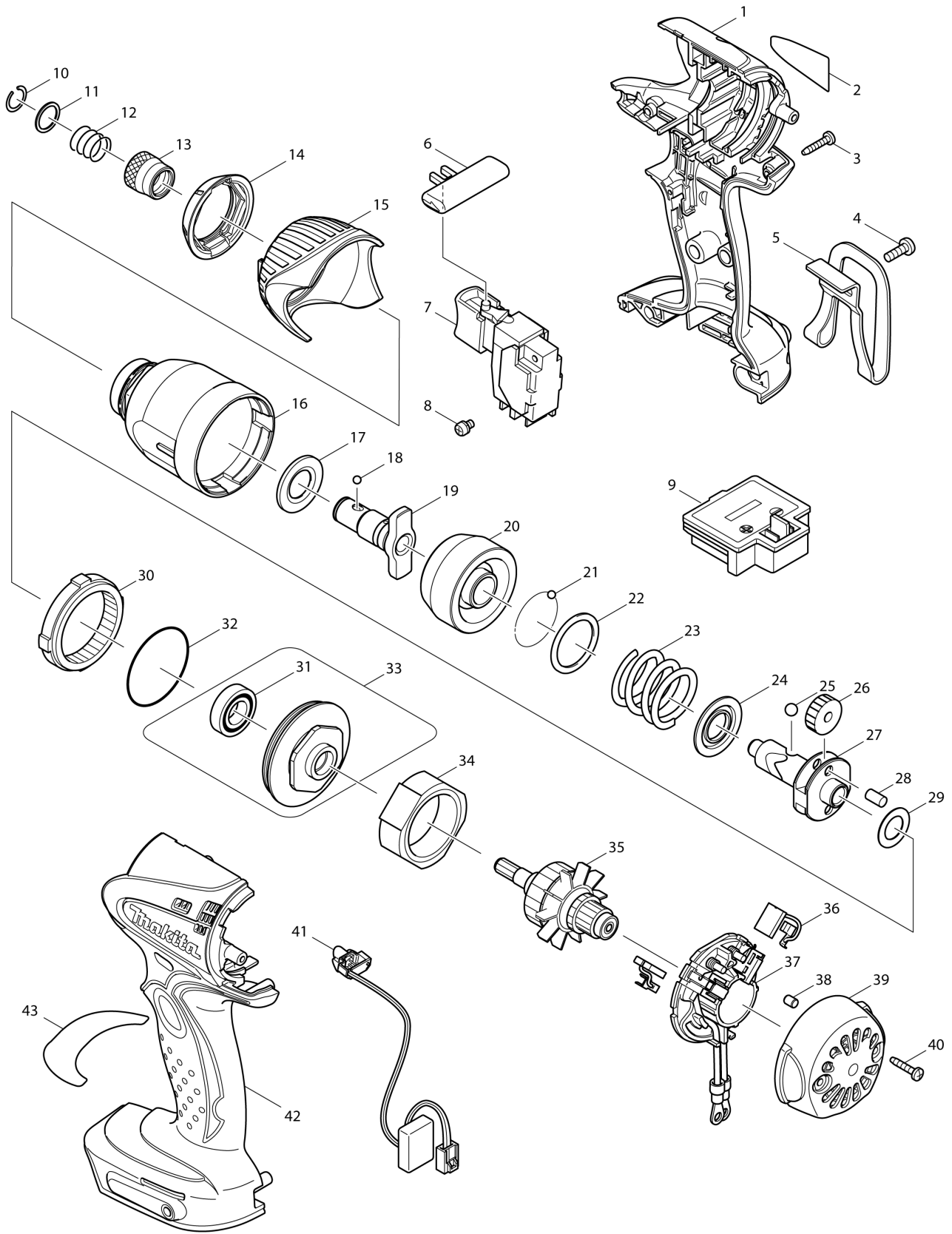
MX	MEXICO
----	--------

# Diagram / Parts List

**BTD141**

**CORDLESS IMPACT DRIVER**

(MX) BTD141 / CORDLESS IMPACT DRIVER



<b>MX</b>	<b>MEXICO</b>
-----------	---------------

### BTD141 / CORDLESS IMPACT DRIVER

Item	Sub	Parts No.	Parts Description	Qty	I/C	E/C No.	Close No.	Remark
001A		188127-7	HOUSING SET	1			84310	
	D10		INC. 42				84310	
001B		188127-7	HOUSING SET	1			84310	
	D10		INC. 42				84310	
001-1A		188691-8	HOUSING SET	1	O	84310	96038	
	D10		INC. 42			84310	96038	
001-1B		188691-8	HOUSING SET	1	O	84310	96038	
	D10		INC. 42			84310	96038	
001-1C		188691-8	HOUSING SET	1			96038	
	D10		INC. 42				96038	
001-2		187075-7	HOUSING SET	1	<	96038	A1171	
	D10		INC. 42			96038	A1171	
001-3		187138-9	HOUSING SET	1	<	A1171		
	C10	263005-3	RUBBER PIN 6	2		A1171		
	D10		INC. 42			A1171		
002		864495-9	BTD141 NAME PLATE	1				
003A		266130-9	TAPPING SCREW BIND PT 3X16	8			86842	
003B		266130-9	TAPPING SCREW BIND PT 3X16	8			86842	
003-1A		266429-2	TAPPING SCREW 3X16	8	O	86842		
003-1B		266429-2	TAPPING SCREW 3X16	8	O	86842		
003-1C		266429-2	TAPPING SCREW 3X16	8				
004A		251314-2	+ SCREW M4X12	1				
004C		251314-2	+ SCREW M4X12	1				
005A		324705-1	HOOK	1			97940	
005C		324705-1	HOOK	1			97940	
005-1A		346317-0	HOOK	1	O	97940	98407	
005-1C		346317-0	HOOK	1	O	97940	98407	
005-2A		346449-3	HOOK	1	<	98407		
005-2C		346449-3	HOOK	1	<	98407		
006		419041-9	F/R CHANGE LEVER	1				
007		650564-0	SWITCH TG553FSB-1	1				
008		652045-0	+PAN HEAD SCREW M3.5X5	2				
009A		643812-4	TERMINAL	1			84038	
009B		643812-4	TERMINAL	1			84038	
009-1A		643844-1	TERMINAL	1	<	84038		
009-1B		643844-1	TERMINAL	1	<	84038		
009-1C		643844-1	TERMINAL	1				
010		231951-8	RING SPRING 11	1				
011		267085-1	FLAT WASHER 12	1				
012		233005-7	COMPRESSION SPRING 13	1				
013		324871-4	SLEEVE	1				
014A		424015-7	BUMPER	1			88531	
014B		424015-7	BUMPER	1			88531	
014-1A		424369-2	BUMPER	1	S	88531		
014-1B		424369-2	BUMPER	1	S	88531		
014-1C		424369-2	BUMPER	1				
015A		450585-0	HAMMER CASE COVER	1			88531	
015B		450585-0	HAMMER CASE COVER	1			88531	
015-1A		452409-6	HAMMER CASE COVER	1	S	88531		
015-1B		452409-6	HAMMER CASE COVER	1	S	88531		
015-1C		452409-6	HAMMER CASE COVER	1				
016		154590-6	HAMMER CASE COMPLETE	1				
017		261108-7	NYLON WASHER 14	1				
018		216001-0	STEEL BALL 3.5	2			A4806	
018-1		216040-0	STEEL BALL 3.5	2	O	A4806		
019		324870-6	ANVIL M	1				
020		324583-9	HAMMER	1				
021		216001-0	STEEL BALL 3.5	24			A4806	
021-1		216040-0	STEEL BALL 3.5	24	O	A4806		
022		267175-0	FLAT WASHER 24	1				
023		233430-2	COMPRESSION SPRING 24	1				
024		267766-7	CUP WASHER 14	1				
025		216011-7	STEEL BALL 5.6	2			A4806	
025-1		216041-8	STEEL BALL 5.6	2	O	A4806		
026		226336-1	SPUR GEAR 22	2			B3583	

A:BTD141(L)  
 B:BTD141H(L)  
 C:BTD141Z(N)

Interchange  
 O : Yes  
 X : No  
 < : the new part can be substituted for the current.  
 > : the current part can be substituted for the new.  
 S : Interchangeable as a set.

MX

MEXICO

## BTD141 / CORDLESS IMPACT DRIVER

Item	Sub	Parts No.	Parts Description	Qty	I/C	E/C No.	Close No.	Remark
026-1		227362-3	SPUR GEAR 22	2	<	B3583		
027		324552-0	SPINDLE	1				
028		256253-1	PIN 5	2				
029		267212-0	FLAT WASHER 12	1				
030		227150-8	INTERNAL GEAR 51	1				
031		211140-1	BALL BEARING 6901LLB	1			Y06591	
032		213507-9	O RING 40	1				
033		154769-9	BEARING BOX COMPLETE	1				
	D10		INC. 31				Y06591	
034		638396-5	YOKE UNIT	1				
035A		619172-6	ARMATURE	1			81751	
035B		619172-6	ARMATURE	1			81751	
035-1A		619247-1	ARMATURE	1	O	81751	A6593	
035-1B		619247-1	ARMATURE	1	O	81751	A6593	
035-1C		619247-1	ARMATURE	1			A6593	
035-2		619372-8	ARMATURE	1	<	A6593		
036A		194427-5	CARBON BRUSH CB-440	1			85070	
036B		194427-5	CARBON BRUSH CB-440	1			85070	
036-1A		195021-6	CARBON BRUSH SET CB-440	1	<	85070	89544	
036-1B		195021-6	CARBON BRUSH SET CB-440	1	<	85070	89544	
036-2A		195021-6	CARBON BRUSH SET CB-440	1	X	89544		
036-2B		195021-6	CARBON BRUSH SET CB-440	1	X	89544		
036-2C		195021-6	CARBON BRUSH SET CB-440	1				
037		638387-6	BRUSH HOLDER COMPLETE	1				
	C10	231696-8	TORSION SPRING R	1				
	C20	231697-6	TORSION SPRING L	1				
038		263032-0	RUBBER PIN 4	2				
039		418981-8	REAR COVER	1				
040A		266130-9	TAPPING SCREW BIND PT 3X16	2			86842	
040B		266130-9	TAPPING SCREW BIND PT 3X16	2			86842	
040-1A		266429-2	TAPPING SCREW 3X16	2	O	86842		
040-1B		266429-2	TAPPING SCREW 3X16	2	O	86842		
040-1C		266429-2	TAPPING SCREW 3X16	2				
041		631792-6	LIGHT CIRCUIT	1				
042A		188127-7	HOUSING SET	1			84310	
	D10		INC. 1				84310	
042B		188127-7	HOUSING SET	1			84310	
	D10		INC. 1				84310	
042-1A		188691-8	HOUSING SET	1	O	84310	96038	
	D10		INC. 1			84310	96038	
042-1B		188691-8	HOUSING SET	1	O	84310	96038	
	D10		INC. 1			84310	96038	
042-1C		188691-8	HOUSING SET	1			96038	
	D10		INC. 1				96038	
042-2		187075-7	HOUSING SET	1	<	96038	A1171	
	D10		INC. 1			96038	A1171	
042-3		187138-9	HOUSING SET	1	<	A1171		
	C10	263005-3	RUBBER PIN 6	2		A1171		
	D10		INC. 1			A1171		
A01A		194205-3	BATTERY BL1830 SET	2			86903	
A01B		194309-1	BATTERY BL1815 SET	2				
A01-1A		194205-3	BATTERY BL1830 SET	2	O	86903	88258	
A01-2A		194205-3	BATTERY BL1830 SET	2	O	88258	A5588	
A01-3A		194205-3	BATTERY BL1830 SET	2	O	A5588	B3787	
A01-4A		197601-4	BATTERY BL1830B SET	2	<	B3787		
A02A		***DC18RA	DC18RA FAST CHARGER	1			98208	
A02B		***DC18RA	DC18RA FAST CHARGER	1			98208	
A02-1A		***DC18RC	DC18RC FAST CHARGER	1	<	98208		
A02-1B		***DC18RC	DC18RC FAST CHARGER	1	<	98208		
A03A		824753-5	PLASTIC CARRYING CASE	1			98208	
	C10	324207-7	SHAFT	1			98208	
	C20	413098-2	PLATE	4			98208	
	C30	417724-5	LATCH	2			98208	
	C40	419215-2	PLASTIC CASE LID	1			98208	
	C50	419216-0	HANDLE	1			98208	

A:BTD141(L)  
B:BTD141H(L)  
C:BTD141Z(N)

Interchange

O : Yes

X : No

&lt; : the new part can be substituted for the current.

&gt; : the current part can be substituted for the new.

S : Interchangeable as a set.

