



MX

MEXICO

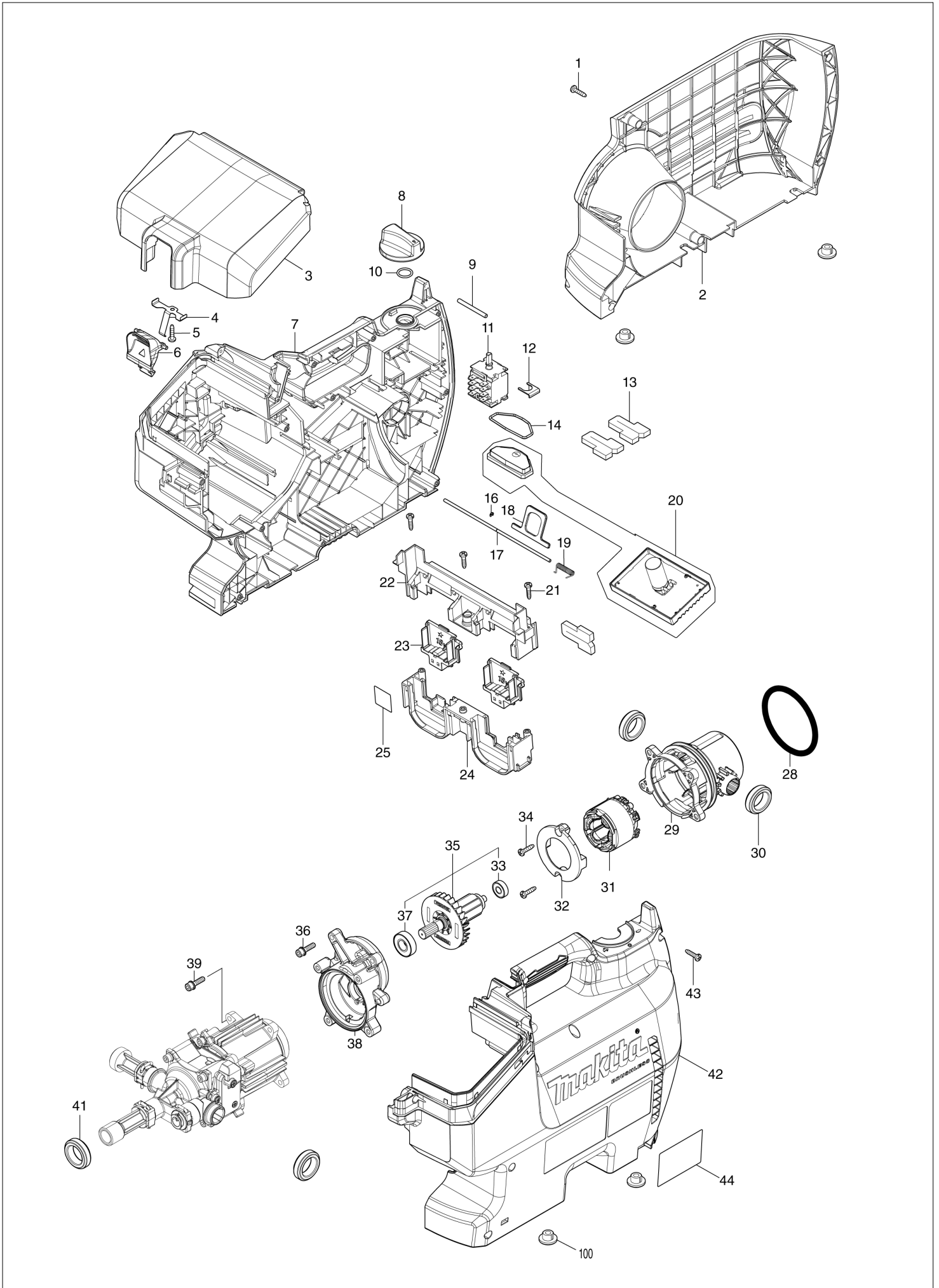
# Diagram / Parts List

**DHW080**

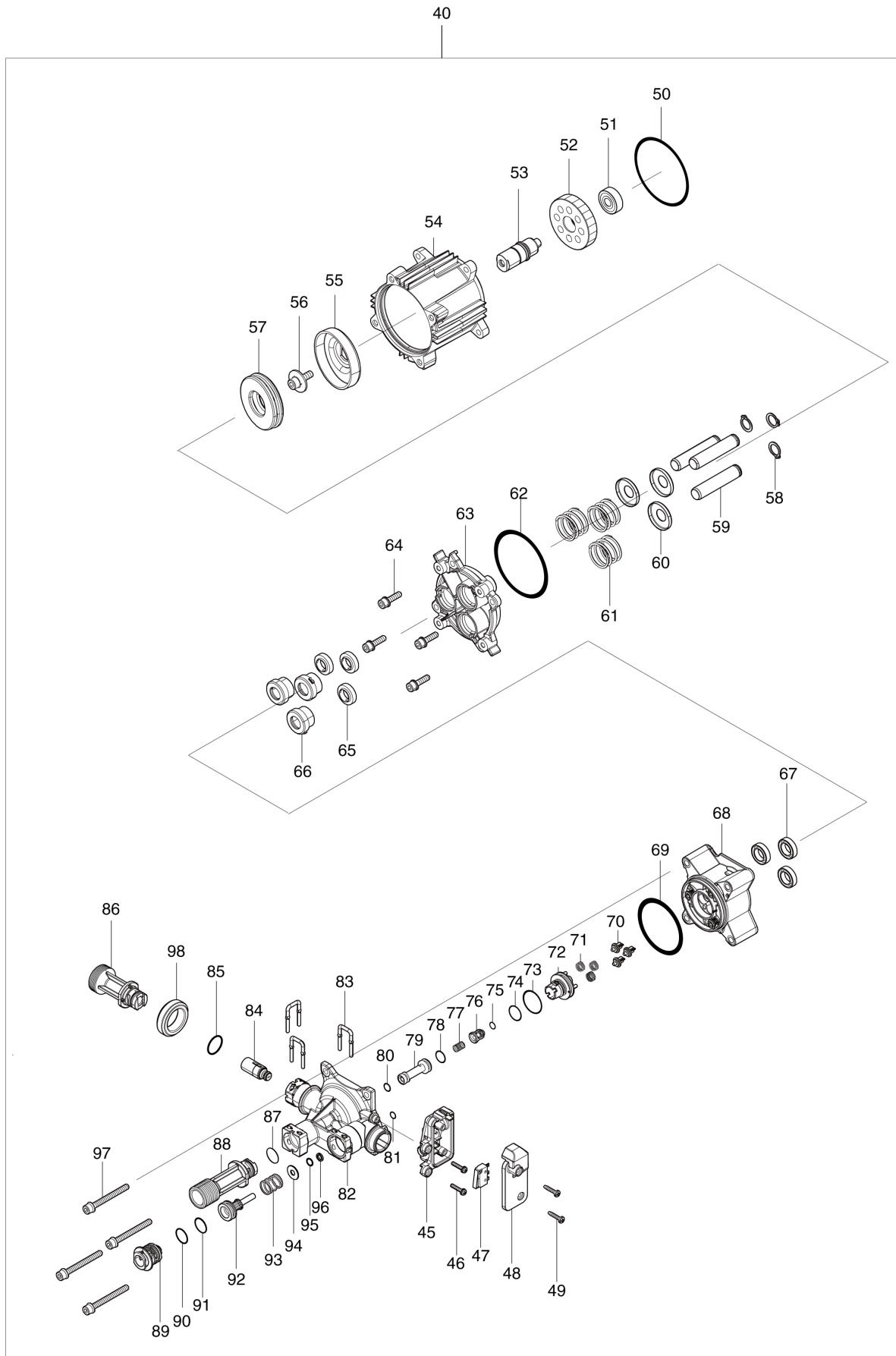
**CORDLESS HIGH PRESSURE WASHER**



(MX) DHW080 / CORDLESS HIGH PRESSURE WASHER



(MX) DHW080 / CORDLESS HIGH PRESSURE WASHER



MX

MEXICO

## DHW080 / CORDLESS HIGH PRESSURE WASHER

Item	Sub	Parts No.	Parts Description	Qty	I/C	E/C No.	Close No.	Remark
001		266326-2	TAPPING SCREW 4X18	5				
002		458336-5	ACCESSORY BOX	1				
003		458332-3	BATTERY BOX COVER	1			D4424	
003-1		412900-6	BATTERY BOX COVER	1	S	D4424	D8040	
003-2		413734-0	BATTERY BOX COVER	1	<	D8040		
004		232471-5	LEAF SPRING	1			D8040	
004-1		232658-9	LEAF SPRING	1	<	D8040		
005		266326-2	TAPPING SCREW 4X18	1				
006		459380-5	LOCK LEVER	1				
007		183M37-1	HOUSING SET	1			D4424	
	C10	809R02-9	CAUTION LABEL	1			D4424	
	D10		INC. 42				D4424	
007-1		183R51-7	HOUSING SET	1	S	D4424		
	C10	809R02-9	CAUTION LABEL	1		D4424		
	D10		INC. 42			D4424		
008		456837-7	SWITCH DIAL 50	1				
009		268292-9	PIN 4	1				
010		213176-6	O RING 14	1				
011		651382-9	SWITCH 1703.4702	1				
012		347530-3	LOCK PLATE	1				
013		422411-3	SPONGE	3				
014		213527-3	O RING 38	1				
016		257926-9	STOP RING E-2.0	1				
017		327333-1	ROD 3	1				
018		347513-3	HOOK	1				
019		232435-9	TORSION SPRING 4	1			D8040	
019-1		232704-8	TORSION SPRING 4	1	<	D8040		
020		620B17-5	CONTROLLER COMPLETE	1				
	C10	819R38-0	INDICATION LABEL	1				
021		266326-2	TAPPING SCREW 4X18	3				
022		183M55-9	TERMINAL HOLDER SET	1				
	C10	263005-3	RUBBER PIN 6	4				
	D10		INC. 24					
023		644809-6	TERMINAL	2				
024		183M55-9	TERMINAL HOLDER SET	1				
	C10	263005-3	RUBBER PIN 6	4				
	D10		INC. 22					
025		855Y74-4	DHW080 SERIAL NO. LABEL	1				
028		422250-1	RECEIVE RUBBER	1				
029		458326-8	MOTOR HOUSING	1				
030		422409-0	RUBBER CUSHION	2				
031		629414-0	STATOR	1				
032		458327-6	BAFFLE PLATE	1				
033		210062-2	BALL BEARING 607ZZ	1				
034		266326-2	TAPPING SCREW 4X18	2				
035		519570-3	ROTOR ASSEMBLY	1				
	D10		INC. 33,37					
036		922233-6	H.S.H.BOLT M5X20 WITH WR	4				
037		211131-2	BALL BEARING 6001DDW	1				
038		161823-2	GEAR HOUSING COMPLETE	1				
	C10	263002-9	RUBBER PIN 4	2				
039		922233-6	H.S.H.BOLT M5X20 WITH WR	4				
040		126764-9	PUMP ASSEMBLY	1			D4587	
	D10		INC. 45-98				D4587	
040-1		127722-8	PUMP ASSEMBLY	1	<	D4587	D5266	
	D10		INC. 45-98			D4587	D5266	
040-2		127774-9	PUMP ASSEMBLY	1	<	D5266	D8041	
	D10		INC. 45-98			D5266	D8041	
040-3		122A67-5	PUMP ASSEMBLY	1	<	D8041	DB532	
	D10		INC. 45-98			D8041	DB532	
040-4		122C03-3	PUMP ASSEMBLY	1	<	DB532		
	D10		INC. 45-98			DB532		
041		422409-0	RUBBER CUSHION	2				
042		183M37-1	HOUSING SET	1			D4424	
	C10	809R02-9	CAUTION LABEL	1			D4424	

B:DHW080PT2(L)

Interchange

O : Yes

X : No

&lt; : the new part can be substituted for the current.

&gt; : the current part can be substituted for the new.

S : Interchangeable as a set.

<b>MX</b>	<b>MEXICO</b>
-----------	---------------

### DHW080 / CORDLESS HIGH PRESSURE WASHER

Item	Sub	Parts No.	Parts Description	Qty	I/C	E/C No.	Close No.	Remark
	D10		INC. 7				D4424	
042-1		183R51-7	HOUSING SET	1	S	D4424		
	C10	809R02-9	CAUTION LABEL	1		D4424		
	D10		INC. 7			D4424		
043		266326-2	TAPPING SCREW 4X18	11				
044		855Y66-3	DHW080 NAME PLATE	1				
045		183M00-4	SWITCH BOX SET	1				
	D10		INC. 48					
046		911028-2	PAN HEAD SCREW M3X16	2				
047		632N61-2	SWITCH UNIT	1				
048		183M00-4	SWITCH BOX SET	1				
	D10		INC. 45					
049		266130-9	TAPPING SCREW BIND PT 3X16	2				
050		213706-3	O RING 67	1				
051		210032-1	BALL BEARING 628DDW	1				
052		221597-8	HELICAL GEAR 47	1				
053		327076-5	SPINDLE	1				
054		161821-6	PUMP HOUSING COMPLETE	1				
055		347341-6	WOBBLE PLATE 8.5	1				
056		265A34-8	H.S.H.BOLT M6X20 WITH WR	1				
057		210176-7	THRUST BALL BEARING 2454	1				
058		961052-5	RETAINING RING (EXT) S-12	3				
059		327075-7	PISTON PIN 12	3				
060		347340-8	SPRING RETAINER C	3				
061		232434-1	COMPRESSION SPRING 22	3				
062		213706-3	O RING 67	1				
063		319670-7	PISTON SYLINDER	1				
064		922233-6	H.S.H.BOLT M5X20 WITH WR	4				
065		213861-1	OIL SEAL 12	3				
066		458323-4	SEAL HOLDER 12	3				
067		422254-3	PACKING 12	3				
068		161820-8	PISTON HOUSING COMPLETE	1			D8041	
068-1		162994-8	PISTON HOUSING COMPLETE	1	<	D8041		
069		213656-2	O RING 53	1				
070		458320-0	OUTFLOW VALVE	3				
071		232432-5	COMPRESSION SPRING 7	3				
072		458321-8	VALVE HOLDER	1				
073		213379-2	O RING 21	1				
074		213238-0	O-RING 13	1				
075		213005-3	O RING 5	1				
076		458322-6	SPRING RETAINER A	1				
077		232433-3	COMPRESSION SPRING 6	1				
078		213055-8	O RING 10	1				
079		458309-8	ADJUST HOLDER	1				
080		213011-8	O RING 7	1				
081		213005-3	O RING 5	1				
082		319784-2	PUMP HEAD	1			DB532	
082-1		313420-2	PUMP HEAD	1	<	DB532		
083		327074-9	U TYPE PIN 3	3				
084		126765-7	RELIEF VALVE ASSEMBLY	1				
085		213176-6	O RING 14	1				
086		458316-1	INFLOW JOINT	1				
087		213176-6	O RING 14	1				
088		458315-3	OUTFLOW JOINT	1			D4144	
088-1		412804-2	OUTFLOW JOINT	1	<	D4144		
089		458310-3	PUMP HEAD CAP	1				
090		213223-3	O RING 16	1				
091		213154-6	O RING 14	1			D5266	
091-1		213922-7	O-RING 14	1	<	D5266		
092		458311-1	PRESSURE PIN	1				
093		232429-4	COMPRESSION SPRING 11	1				
094		253407-1	FLAT WASHER 5A	1				
095		213005-3	O RING 5	1				
096		253408-9	FLAT WASHER 5B	1				
097		265A33-0	H.S.H.BOLT M5X50 WITH WR	4				

B:DHW080PT2(L)

Interchange  
 O : Yes  
 X : No  
 < : the new part can be substituted for the current.  
 > : the current part can be substituted for the new.  
 S : Interchangeable as a set.

