



MX

MEXICO

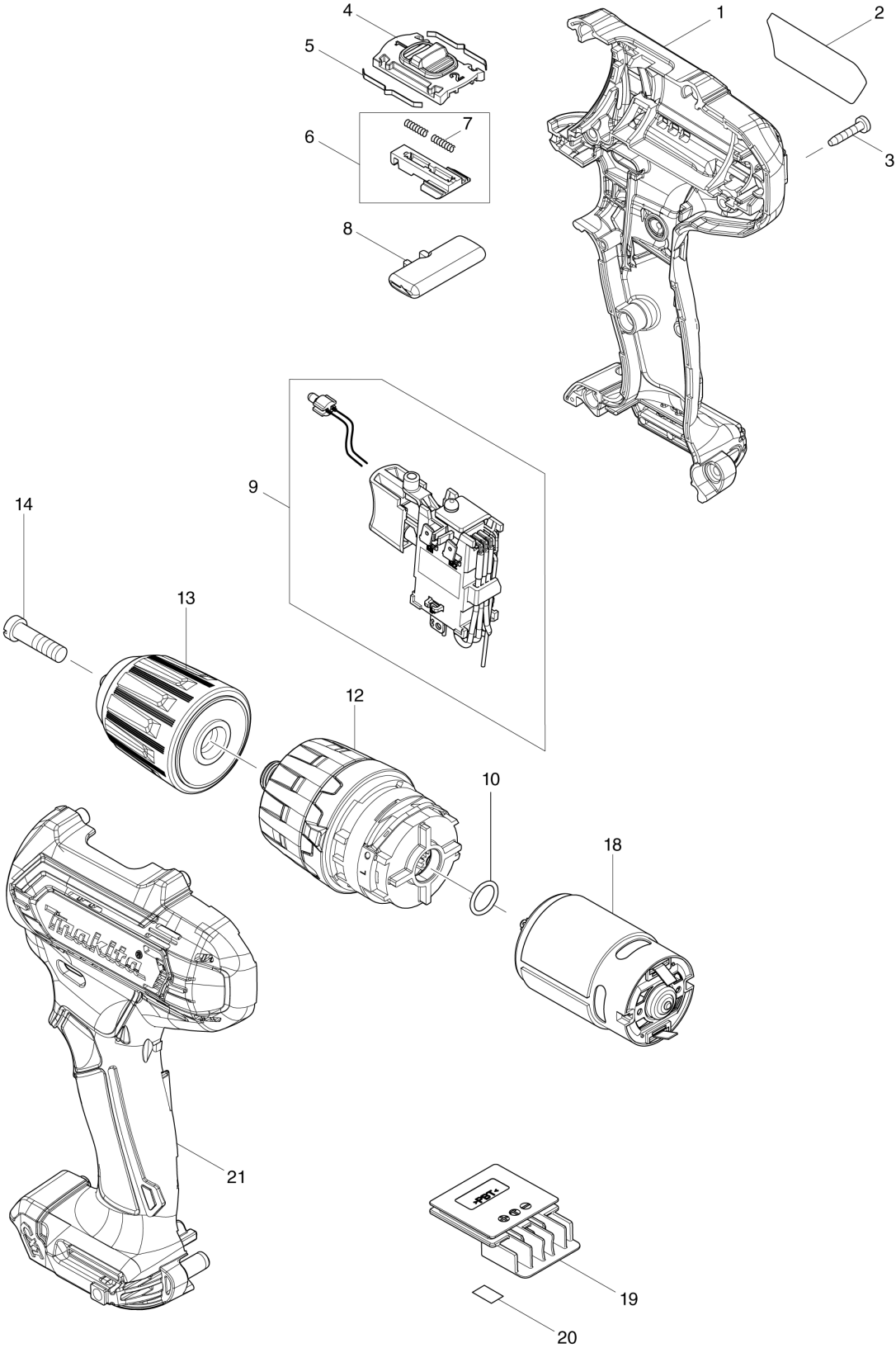
Diagram / Parts List

HP333D

CORDLESS HAMMER DRIVER DRILL



(MX) HP333D / CORDLESS HAMMER DRIVER DRILL



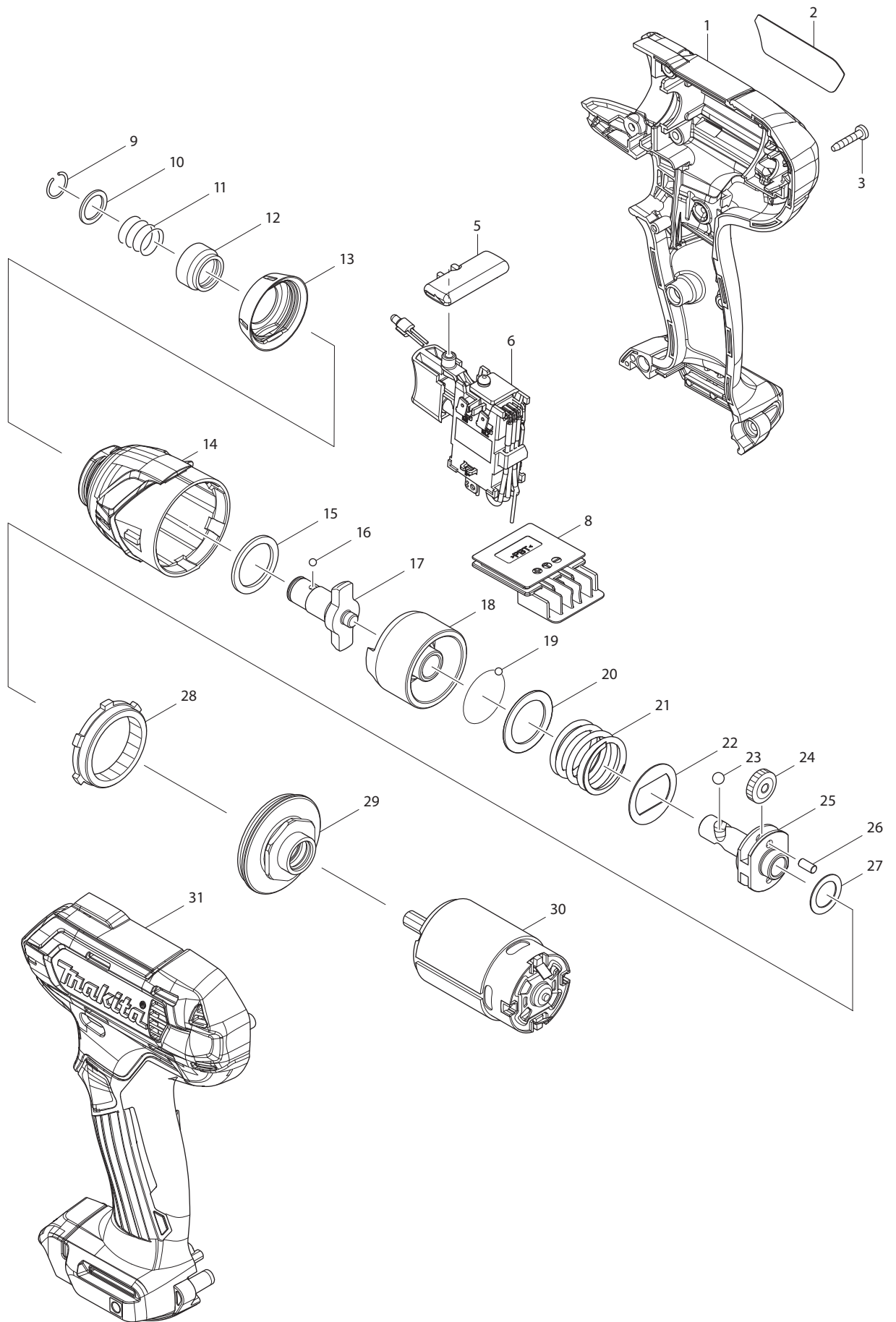
MX	MEXICO
-----------	---------------

HP333D / CORDLESS HAMMER DRIVER DRILL

Item	Sub	Parts No.	Parts Description	Qty	I/C	E/C No.	Close No.	Remark
001A		183K90-5	HOUSING SET	1				
001B		183K90-5	HOUSING SET	1				
001C		183K90-5	HOUSING SET	1				
001D		183K90-5	HOUSING SET	1				
001E		183K90-5	HOUSING SET	1				
001F		183K90-5	HOUSING SET	1				
001G		183K90-5	HOUSING SET	1				
001H		183T63-2	HOUSING SET	1				
	C10	252126-6	HEX. LOCK NUT M4-7	2				
	D10		INC. 21					
002		855E12-6	HP333D NAME PLATE	1				
003		266429-2	TAPPING SCREW 3X16	9				
004		459026-3	SPEED CHANGE LEVER	1				
005		232493-5	LEAF SPRING	2				
006		127127-2	CHANGE LEVER ASSEMBLY	1				
	D10		INC. 7					
007		233025-1	COMPRESSION SPRING 2	2				
008		456039-5	F/R CHANGE LEVER	1				
009		632J77-3	SWITCH UNIT	1				
	C10	620625-0	LED CIRCUIT	1				
010A		213176-6	O RING 14	1		C6230		
010B		213176-6	O RING 14	1		C6230		
010C		213176-6	O RING 14	1		C6230		
010D		213176-6	O RING 14	1		C6230		
010E		213176-6	O RING 14	1		C6230		
010F		213176-6	O RING 14	1		C6230		
010G		213176-6	O RING 14	1				
010H		213176-6	O RING 14	1				
012		127124-8	GEAR ASSEMBLY	1				
013		763238-5	KEYLESS DRILL CHUCK 10	1				
014		251468-5	- FLAT HEAD SCREW M6X22	1				
018		629395-8	DC MOTOR	1				
019		644813-5	TERMINAL	1				
020		855E19-2	HP333D SERIAL NO. LABEL	1				
021A		183K90-5	HOUSING SET	1				
021B		183K90-5	HOUSING SET	1				
021C		183K90-5	HOUSING SET	1				
021D		183K90-5	HOUSING SET	1				
021E		183K90-5	HOUSING SET	1				
021F		183K90-5	HOUSING SET	1				
021G		183K90-5	HOUSING SET	1				
021H		183T63-2	HOUSING SET	1				
	C10	252126-6	HEX. LOCK NUT M4-7	2				
	D10		INC. 1					
A01		251314-2	+ SCREW M4X12	1				
A02		346909-5	HOOK	1				
A03		784244-7	+ BIT 2-50	1				
A04B		821661-1	PLASTIC CARRYING CASE	1				
	C10	417724-5	LATCH	2				
A04C		821661-1	PLASTIC CARRYING CASE	1				
	C10	417724-5	LATCH	2				
A04D		821661-1	PLASTIC CARRYING CASE	1				
	C10	417724-5	LATCH	2				
A05B		818P48-2	HP333DWYE MODEL NO. LABEL	1				
A05C		818P58-9	HP333DWME MODEL NO. LABEL	1				
A05D		818P48-2	HP333DWYE MODEL NO. LABEL	1				
A08B		456128-6	BATTERY COVER	1				
A08C		456128-6	BATTERY COVER	1				
A08D		456128-6	BATTERY COVER	1				
A08E		456128-6	BATTERY COVER	1				
A09B		***DC10WD	DC10WD BATTERY CHARGER	1				
	D10		COMPO-PARTS					
A09C		***DC10WD	DC10WD BATTERY CHARGER	1				
	D10		COMPO-PARTS					
A09D		***DC10SB	DC10SB BATTERY CHARGER	1				

A:HP333DZ(N) G:HP333DWYX3(L)
 B:HP333DWYE(L) H:HP333DYX3B(L)
 C:HP333DWME(L)
 D:HP333DSAE(L)
 E:HP333DYEX4(L)
 F:HP333DWYX4(L)

Interchange
 O : Yes
 X : No
 < : the new part can be substituted for the current.
 > : the current part can be substituted for the new.
 S : Interchangeable as a set.



Model DT03R1/Z Parts List

A = Standard Equipment

O = Circuit Diagram

Item#	Part#	Description	Q'ty	Unit
001	183B49-8	HOUSING SET	1	
	C10 252126-6	HEX. LOCKING NUT M4-7	2	PC.
	D10	INC. 31		
002	851G84-1	DT03 NAME PLATE	1	
003	266429-2	TAPPING SCREW 3X16	8	PC.
005	456039-5	F/R CHANGE LEVER	1	
006	632F43-6	SWITCH UNIT	1	
	C10 620463-0	LED CIRCUIT	1	
008	644813-5	TERMINAL	1	
009	231965-7	RING SPRING 10	1	PC.
010	267143-3	FLAT WASHER 11	1	PC.
011	233005-7	COMPRESSION SPRING 13	1	PC.
012	324711-6	BIT SLEEVE	1	PC.
013	424737-9	BUMPER	1	PC.
014	143277-5	HAMMER CASE COMPLETE	1	
015	261140-1	NYLON WASHER 20	1	PC.
016	216019-1	STEEL BALL 3	2	PC.
017	324895-0	ANVIL M	1	PC.
018	324894-2	HAMMER	1	PC.
019	216019-1	STEEL BALL 3	24	PC.
020	267380-9	FLAT WASHER 20	1	PC.
021	234064-4	COMPRESSION SPRING 21	1	PC.
022	267813-4	WASHER 21	1	PC.
023	216002-8	STEEL BALL 4.8	2	PC.
024	227213-0	SPUR GEAR 17	2	PC.
025	324897-6	SPINDLE	1	PC.
026	268217-3	PIN 3.5	2	PC.
027	253052-2	FLAT WASHER 12	1	PC.
028	227215-6	INTERNAL GEAR 43	1	PC.
029	158671-8	BEARING BOX COMPLETE	1	PC.
030	629163-9	DC MOTOR	1	
031	183B49-8	HOUSING SET	1	
	C10 252126-6	HEX. LOCKING NUT M4-7	2	PC.
	D10	INC. 1		
A01	266622-8	+ TRUSS HEAD SCREW M4X12	1	PC.
A02	346909-5	HOOK	1	
A03	784244-7	+ BIT 2-50	1	PC.
A04	456128-6	BATTERY COVER	1	(DT03R1)
A05	***DC10WD	DC10WD BATTERY CHARGER	1	(DT03R1)
A06	BL1021B	BATTERY BL1021B	2	(DT03R1)
A07	821661-1	PLASTIC CARRYING CASE	1	(DT03R1)
	C10 417724-5	LATCH	2	PC. (DT03R1)
E01	807H20-1	CAUTION LABEL	1	