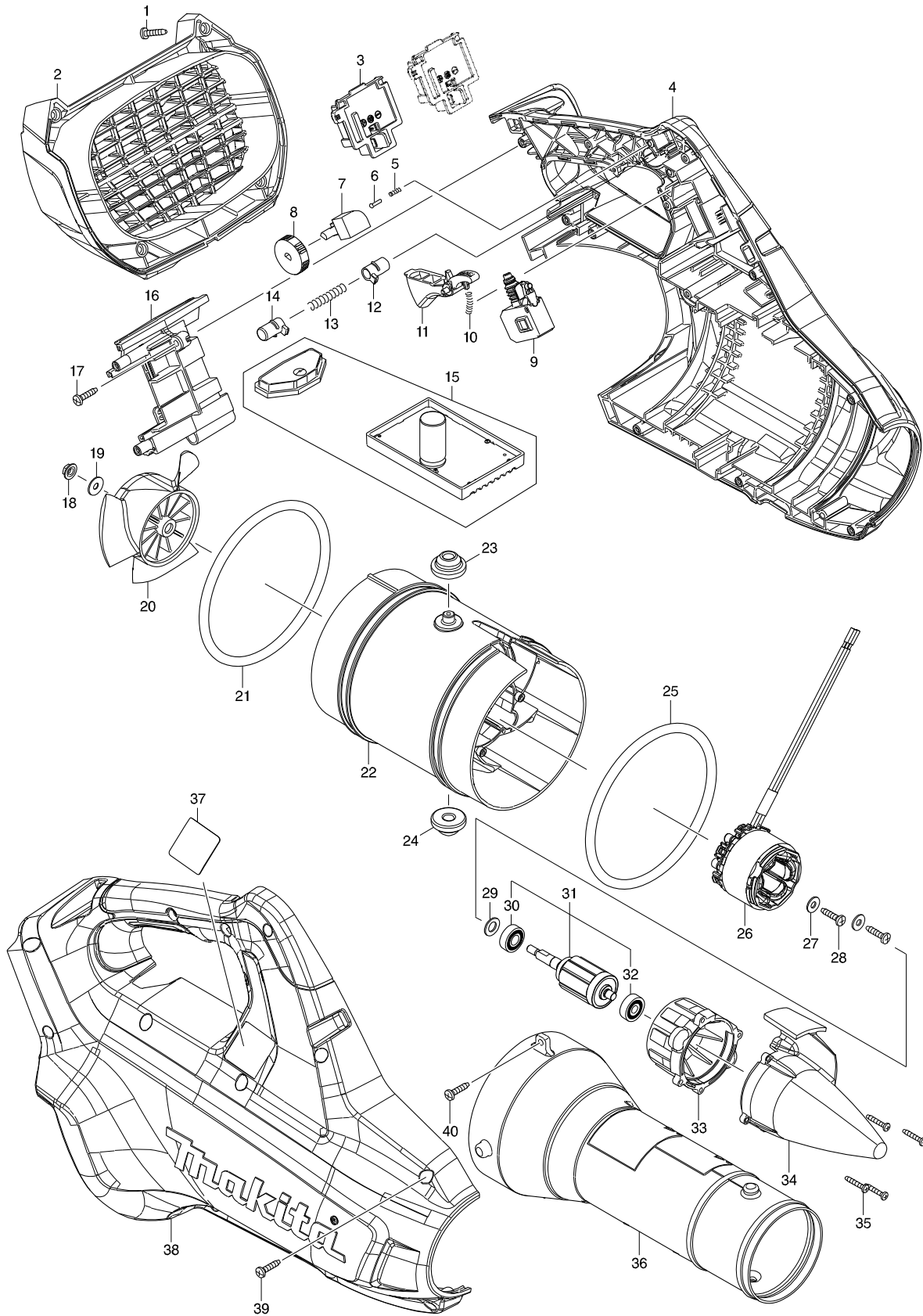


Modelo DUB362 CORDLESS BLOWER



Pieza	Código	Descripción	Info	CTD.	N/O	Opc. 1	Opc. 2	OBS.
001	266326-2	TORNILLO 4X18 P/MT240,MT580		4				
002	455912-6	REAR COVER		1				
003	644808-8	TERMINAL		2				
004	183A80-8	HOUSING SET		1				
C10	263005-3	PERNO DE GOMA P/VARIOS ONT)		2				
D10		INC. 38						
005	233002-3	RESORTE DE COMPRESION P/9227C		1				
006	255058-6	REMACHE P/9227C		1				
007	620415-1	SUB CONTROLLER		1				
008	271427-3	DIAL 28		1				
009	650709-0	SWITCH C3JW-1A-P		1				
010	233101-1	RESORTE DE COMPRESION 4 P/4304		1				
011	455913-4	SWITCH LEVER		1				
012	418881-2	LOCK ON BUTTON		1				
013	233092-6	RESORTE DE COMPRESION 5 P/5740M		1				
014	418881-2	LOCK ON BUTTON		1				
015	143166-4	CONTROLLER COMPLETE		1				
016	143146-0	CENTER CASE COMPLETE		1				
C10	263005-3	PERNO DE GOMA P/VARIOS ONT)		2				
017	266326-2	TORNILLO 4X18 P/MT240,MT580		2				
018	264111-7	CORNED DISK SPRING HEX.NUT M5		1	*			
018-1	252103-8	HEX. LOCK NUT M5-8	<	1				
019	253194-2	ARANDELA PLANA P/HM1303B		1				
020	240158-5	FAN 110		1	*			
020-1	240177-1	FAN 110	<	1				
021	424721-4	RUBBER RING 115		1				
022	455907-9	MOTOR HOUSING		1				
023	424194-1	RUBBER RING 8		1				
024	424194-1	RUBBER RING 8		1				
025	424721-4	RUBBER RING 115		1				
026	629153-2	STATOR DC36V		1				
027	253184-5	ARANDELA 5 P/4190D		2				
028	266326-2	TORNILLO 4X18 P/MT240,MT580		2				
029	253835-0	ARANDELA P/LXSL01		1	*			
030	210040-2	BALL BEARING 698LLU		1				
031	519366-2	ROTOR ASS'Y		1	*			
D10		INC. 30,32			*			
031-1	519444-8	ROTOR ASS'Y	O	1				
D10		INC. 30,32						
032	210022-4	RODAMIENTO DE BOLAS 626DDW P/6		1				
033	455908-7	MOTOR HOUSING COVER		1				
034	455909-5	CAP		1				
035	265935-4	TAPPING SCREW 3X20		4				
036	455914-2	FRONT NOZZLE		1				
037	850U44-4	DUB362 NAME PLATE		1				
038	183A80-8	HOUSING SET		1				
C10	263005-3	PERNO DE GOMA P/VARIOS ONT)		2				
D10		INC. 4						

Pieza	Código	Descripción	Info	CTD.	N/O	Opc. 1	Opc. 2	OBS.
039	266326-2	TORNILLO 4X18 P/MT240,MT580		12				
040	266326-2	TORNILLO 4X18 P/MT240,MT580		2	*			
040-1	266300-0	TAPPING SCREW 4X18	<	2				
A02	455915-0	LONG NOZZLE		1				
A04B	***DC18RC	DC18RC FAST CHARGER		1				
A05B	196401-9	BATTERY BL1840 SET		2	*			
A05-1B	197268-8	BATTERY BL1840B SET	<	2				