

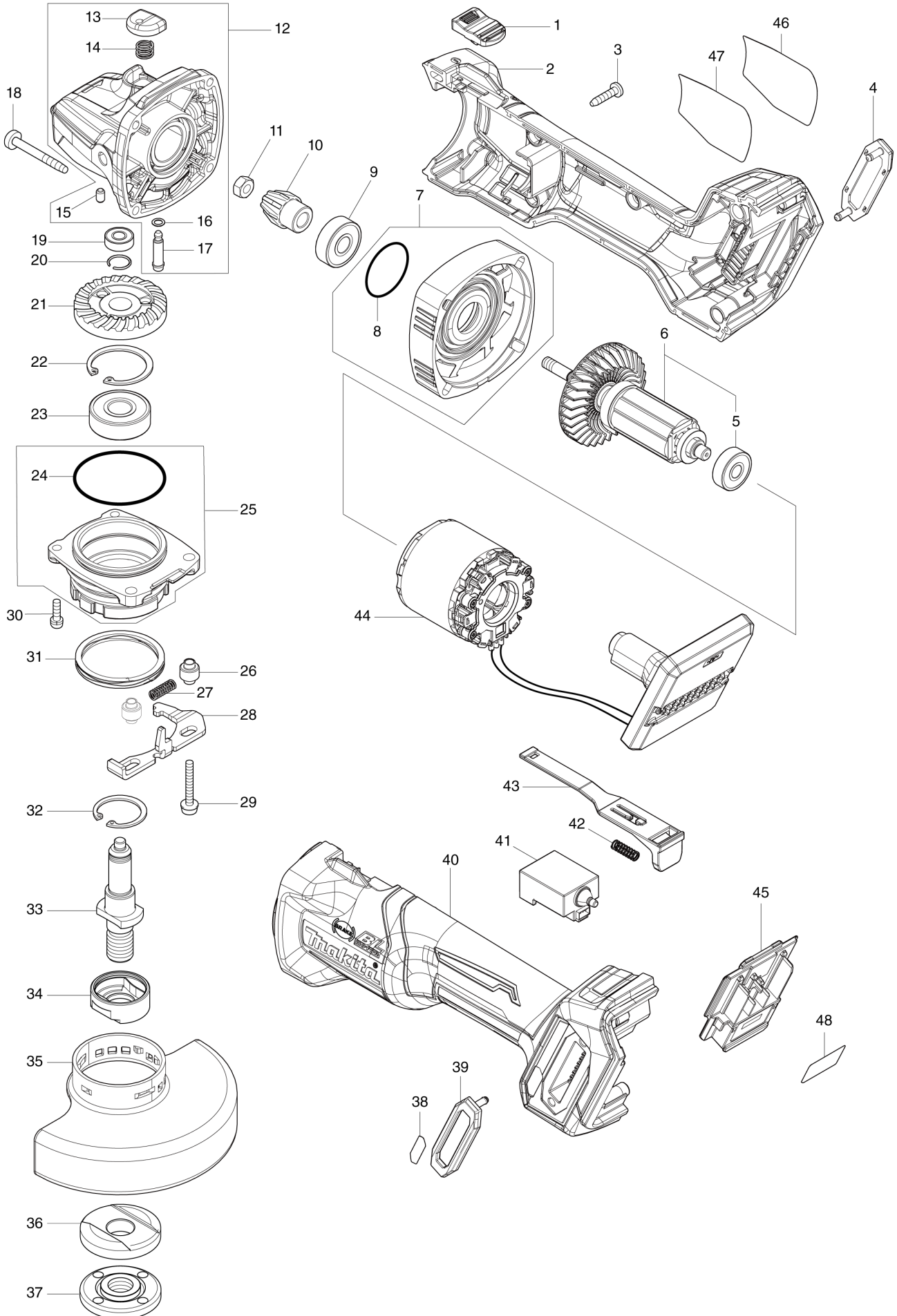


# Diagram / Parts List

**GA004G**

**115MM CORDLESS ANGLE GRINDER**

# (MX) GA004G / 115MM CORDLESS ANGLE GRINDER



## GA004G / 115MM CORDLESS ANGLE GRINDER

Item	Sub	Parts No.	Parts Description	Qty	I/C	E/C No.	Close No.	Remark
001		455447-7	SWITCH KNOB	1				
002		183N63-6	MOTOR HOUSING SET	1				
	C10	263005-3	RUBBER PIN 6	2				
	D10		INC. 40					
003		266326-2	TAPPING SCREW 4X18	5				
004		422563-0	DUST COVER	1				
005		210023-2	BALL BEARING 627DDW	1				
006		519595-7	ROTOR ASS'Y	1				
	D10		INC. 5					
007		136190-4	GEAR HOUSING COVER ASS'Y	1				
	D10		INC. 8					
008		213445-5	O-RING 26	1				
009		210042-8	BALL BEARING 629LLB	1				
010		226976-5	SPIRAL BEVEL GEAR 10	1				
011		252186-8	HEX. NUT M6	1				
012		136198-8	GEAR HOUSING ASS'Y	1				
	D10		INC. 13-17					
013		412234-7	PIN CAP	1				
014		233072-2	COMPRESSION SPRING 8	1				
015		263002-9	RUBBER PIN 4	1				
016		213960-9	O RING 5	1				
017		256546-6	SHOULDER PIN 4	1				
018		266048-4	TAPPING SCREW 4X40	4				
019		210033-9	BALL BEARING 696ZZ	1				
020		233950-6	RING SPRING 11	1				
021		226862-0	SPIRAL BEVEL GEAR 37	1				
022		962151-6	RETAINING RING R-32	1				
023		211129-9	BALL BEARING 6201DDW	1				
024		213622-9	O RING 45	1				
025		136197-0	BEARING BOX ASS'Y	1			D3005	
	D10		INC. 24				D3005	
025-1		136262-5	BEARING BOX ASS'Y	1	<	D3005		
	C10	213510-0	O RING 36	1		D3005		
	D10		INC. 24,31			D3005		
026		327322-6	SLEEVE 4	2				
027		232490-1	COMPRESSION SPRING 4	1				
028		347641-4	LEVER B	1				
029		911159-7	PAN HEAD SCREW M4X30	2				
030		911138-5	P.H.SCREW M4X20 WITH WR	2				
031		232542-8	SCROW WAVE SPRING 41	1				
032		962105-3	RETAINING RING R-26	1				
033		326670-0	SPINDLE A	1				
034		310515-2	LEAD FLANGE A	1				
035		347479-7	WHEEL COVER 115	1				
036		224448-4	INNER FLANGE 45B	1				
037		224568-4	LOCK NUT 5/8-45	1				
038		8007R2-2	XGT LOGO LABEL	1				
039		422563-0	DUST COVER	1				
040		183N63-6	MOTOR HOUSING SET	1				
	C10	263005-3	RUBBER PIN 6	2				
	D10		INC. 2					
041		651445-1	SWITCH FPM-1130	1				
042		233121-5	COMPRESSION SPRING 4	1				
043		412233-9	SWITCH LEVER	1				
044		629458-0	STATOR COMPLETE	1				
045		632P65-6	TERMINAL UNIT	1				
046		8008U5-3	CLEAR LABEL	1				
047		856U03-6	GA004G NAME PLATE	1				
048		856U05-2	GA004G SERIAL NO. LABEL	1				
A01		158237-4	GRIP 36 COMPLETE	1				
A02		741423-B	4 1/2" GRINDING WHEEL 115X6X22	1				
A03		782424-9	LOCK NUT WRENCH 28	1				
A04B		412393-7	BATTERY COVER	2				
A05B		***DC40RA	DC40RA FAST CHARGER	1				
	D10		COMPO-PARTS					

B:GA004GM201(L)

Interchange  
 O : Yes  
 X : No  
 < : the new part can be substituted for the current.  
 > : the current part can be substituted for the new.  
 S : Interchangeable as a set.

