



MX

MEXICO

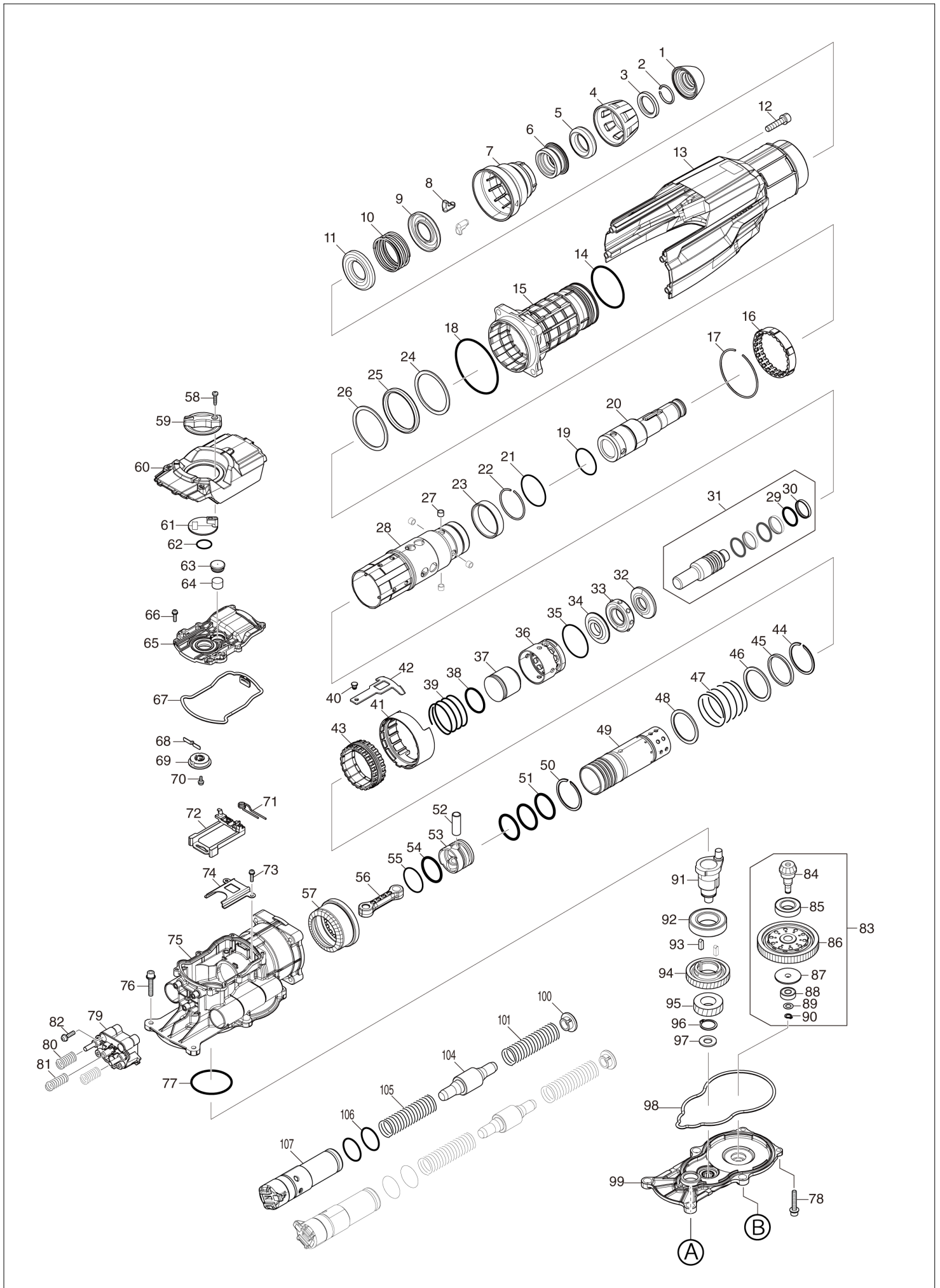
# Diagram / Parts List

HR006G

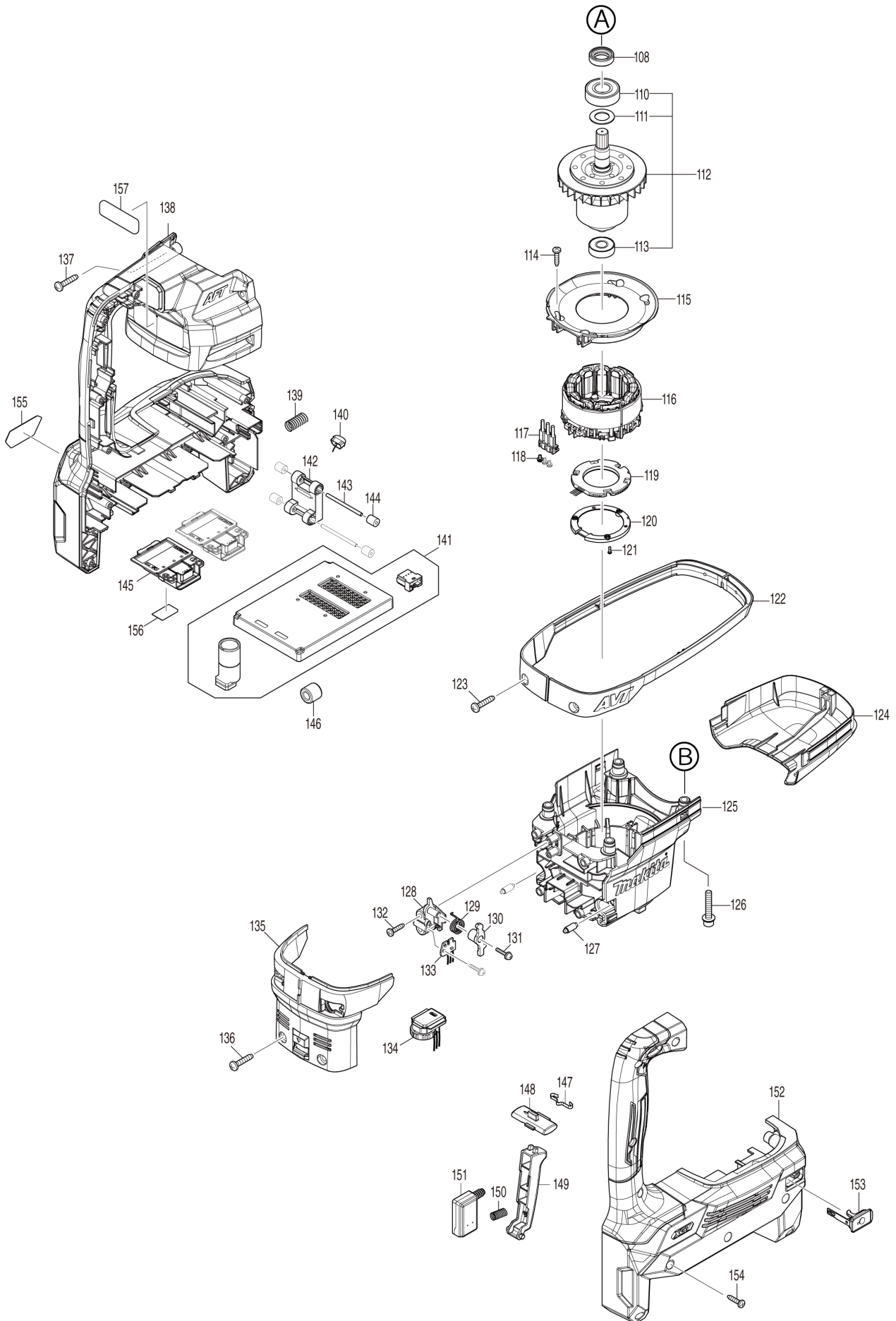
52MM CORDLESS ROTARY HAMMER



# (MX) HR006G / 52MM CORDLESS ROTARY HAMMER



# (MX) HR006G / 52MM CORDLESS ROTARY HAMMER



**MX****MEXICO****HR006G / 52MM CORDLESS ROTARY HAMMER**

| Item | Sub | Parts No. | Parts Description           | Qty | I/C | E/C No. | Close No. | Remark |
|------|-----|-----------|-----------------------------|-----|-----|---------|-----------|--------|
| 001  |     | 286292-7  | TOOL HOLDER CAP             | 1   |     |         |           |        |
| 002  |     | 233948-3  | RING SPRING 25              | 1   |     |         |           |        |
| 003  |     | 257367-9  | RING 28                     | 1   |     |         |           |        |
| 004  |     | 454767-6  | CHUCK COVER                 | 1   |     |         |           |        |
| 005  |     | 262172-1  | RUBBER RING 29              | 1   |     |         |           |        |
| 006  |     | 327868-2  | CHUCK RING                  | 1   |     |         |           |        |
| 007  |     | 454768-4  | RELEASE COVER               | 1   |     |         |           |        |
| 008  |     | 310178-4  | TOOL RETAINER               | 2   |     |         |           |        |
| 009  |     | 346751-4  | SPRING GUIDE                | 1   |     |         |           |        |
| 010  |     | 234317-1  | COMPRESSION SPRING 49       | 1   |     |         |           |        |
| 011  |     | 346751-4  | SPRING GUIDE                | 1   |     |         |           |        |
| 012  |     | 922456-6  | HEX. SOCKET HEAD BOLT M8X35 | 4   |     |         |           |        |
| 013  |     | 140Y01-7  | HOUSING COVER COMPLETE      | 1   |     |         |           |        |
|      | C10 | 810100-6  | CAUTION LABEL               | 1   |     |         |           |        |
| 014  |     | 213664-3  | O RING 60                   | 1   |     |         |           |        |
| 015  |     | 142408-3  | BARREL COMPLETE             | 1   |     |         |           |        |
|      | C10 | 213663-5  | O RING 55                   | 1   |     |         |           |        |
|      | C20 | 213778-8  | OIL SEAL 42                 | 1   |     |         |           |        |
|      | C30 | 214603-6  | PLANE BEARING 49            | 1   |     |         |           |        |
|      | C40 | 259056-2  | RING SPRING 54              | 1   |     |         |           |        |
| 016  |     | 454769-2  | LOCK SLEEVE                 | 1   |     |         |           |        |
| 017  |     | 259057-0  | RING SPRING 74              | 1   |     |         |           |        |
| 018  |     | 213766-5  | O-RING 78                   | 1   |     |         |           |        |
| 019  |     | 213789-3  | O-RING 38                   | 1   |     |         |           |        |
| 020  |     | 327735-1  | TOOL HOLDER A               | 1   |     |         |           |        |
| 021  |     | 213779-6  | O-RING 45                   | 1   |     |         |           |        |
| 022  |     | 231989-3  | RING SPRING 46              | 1   |     |         |           |        |
| 023  |     | 257353-0  | RING 49                     | 1   |     |         |           |        |
| 024  |     | 267477-4  | FLAT WASHER 60              | 1   |     |         |           |        |
| 025  |     | 262171-3  | RUBBER RING 60              | 1   |     |         |           |        |
| 026  |     | 267477-4  | FLAT WASHER 60              | 1   |     |         |           |        |
| 027  |     | 268308-0  | PIN 9                       | 4   |     |         |           |        |
| 028  |     | 326362-1  | TOOL HOLDER B               | 1   |     |         |           |        |
| 029  |     | 213394-6  | O RING 23                   | 3   |     |         |           |        |
| 030  |     | 213431-6  | FLUORIDE RING 28            | 3   |     |         |           |        |
| 031  |     | 136413-0  | IMPACT BOLT ASSY            | 1   |     |         |           |        |
|      | D10 |           | INC. 29,30                  |     |     |         |           |        |
| 032  |     | 324756-4  | RING 20                     | 1   |     |         |           |        |
| 033  |     | 424000-0  | RUBBUR RING 24              | 1   |     |         |           |        |
| 034  |     | 327734-3  | SHOULDER WASHER 20          | 1   |     |         |           |        |
| 035  |     | 213783-5  | O-RING 48                   | 1   |     |         |           |        |
| 036  |     | 413263-3  | SLIDE SLEEVE                | 1   |     |         |           |        |
| 037  |     | 327731-9  | STRIKER                     | 1   |     |         |           |        |
| 038  |     | 213781-9  | O-RING 33                   | 1   |     |         |           |        |
| 039  |     | 234318-9  | COMPRESSION SPRING 45       | 1   |     |         |           |        |
| 040  |     | 256548-2  | FLAT FILLISTER HEAD PIN 6   | 1   |     |         |           |        |
| 041  |     | 454779-9  | GUIDE RING                  | 1   |     |         |           |        |
| 042  |     | 346749-1  | LINK PLATE                  | 1   |     |         |           |        |
| 043  |     | 313272-1  | DRIVING SLEEVE              | 1   |     |         |           |        |
| 044  |     | 257994-2  | RETAINING RING(EXT)WR-44    | 1   |     |         |           |        |
| 045  |     | 257355-6  | RING 44                     | 1   |     |         |           |        |
| 046  |     | 267478-2  | FLAT WASHER 44              | 1   |     |         |           |        |
| 047  |     | 234319-7  | COMPRESSION SPRING 46       | 1   |     |         |           |        |
| 048  |     | 267478-2  | FLAT WASHER 44              | 1   |     |         |           |        |
| 049  |     | 327730-1  | CYLINDER 40                 | 1   |     |         |           |        |
| 050  |     | 257994-2  | RETAINING RING(EXT)WR-44    | 1   |     |         |           |        |
| 051  |     | 213460-9  | O RING 35                   | 3   |     |         |           |        |
| 052  |     | 257820-5  | SLEEVE 9                    | 1   |     |         |           |        |
| 053  |     | 312A68-3  | PISTON                      | 1   |     |         |           |        |
| 054  |     | 213782-7  | O-RING 30                   | 1   |     |         |           |        |
| 055  |     | 213460-9  | O RING 35                   | 1   |     |         |           |        |
| 056  |     | 413261-7  | CONNECTING ROD              | 1   |     |         |           |        |
| 057  |     | 227625-7  | SPIRAL BEVEL GEAR 33        | 1   |     |         |           |        |
| 058  |     | 265995-6  | TAPPING SCREW 4X18          | 1   |     |         |           |        |
| 059  |     | 454326-6  | CHANGE LEVER                | 1   |     |         |           |        |

Interchange  
O : Yes  
X : No  
< : the new part can be substituted for the current.  
> : the current part can be substituted for the new.  
S : Interchangeable as a set.

MX

MEXICO

## HR006G / 52MM CORDLESS ROTARY HAMMER

| Item  | Sub | Parts No. | Parts Description        | Qty | I/C | E/C No. | Close No. | Remark |
|-------|-----|-----------|--------------------------|-----|-----|---------|-----------|--------|
| 060   |     | 312A70-6  | CRANK CAP COVER          | 1   |     |         |           |        |
| 061   |     | 454345-2  | CRANK LEVER              | 1   |     |         |           |        |
| 062   |     | 213262-3  | O RING 18                | 1   |     |         |           |        |
| 063   |     | 424607-2  | FILTER CAP               | 1   |     |         |           |        |
| 064   |     | 443129-3  | FILTER                   | 1   |     |         |           |        |
| 065   |     | 454764-2  | CRANK CAP                | 1   |     |         |           |        |
| 066   |     | 911128-8  | P.H.SCREW M4X16 WITH WR  | 6   |     |         |           |        |
| 067   |     | 424608-0  | SEAL RING B              | 1   |     |         | D9116     |        |
| 067-1 |     | 422787-8  | SEAL RING B              | 1   | <   | D9116   |           |        |
| 068   |     | 232280-2  | LEAF SPRING              | 1   |     |         |           |        |
| 069   |     | 413827-3  | LINK LEVER               | 1   |     |         |           |        |
| 070   |     | 911511-9  | PAN HEAD SCREW M4X10     | 1   |     |         |           |        |
| 071   |     | 233611-8  | TORSION SPRING 7         | 1   |     |         |           |        |
| 072   |     | 454778-1  | LINK GUIDE               | 1   |     |         |           |        |
| 073   |     | 911128-8  | P.H.SCREW M4X16 WITH WR  | 2   |     |         |           |        |
| 074   |     | 346748-3  | GUIDE RAIL               | 1   |     |         |           |        |
| 075   |     | 140Y00-9  | CRANK HOUSING A COMPLETE | 1   |     |         | DA468     |        |
| 075-1 |     | 141H08-4  | CRANK HOUSING A COMPLETE | 1   | <   | DA468   |           |        |
| 076   |     | 922359-4  | H.S.H.BOLT M6X35 WITH WG | 2   |     |         |           |        |
| 077   |     | 213662-7  | O RING 55                | 1   |     |         |           |        |
| 078   |     | 922359-4  | H.S.H.BOLT M6X35 WITH WG | 2   |     |         |           |        |
| 079   |     | 413264-1  | SPRING BASE              | 1   |     |         |           |        |
| 080   |     | 232662-8  | COMPRESSION SPRING 12    | 2   |     |         |           |        |
| 081   |     | 232664-4  | COMPRESSION SPRING 10    | 1   |     |         |           |        |
| 082   |     | 911233-1  | PAN HEAD SCREW M5X20     | 3   |     |         |           |        |
| 083   |     | 127823-2  | TORQUE LIMITER ASSEMBLY  | 1   |     |         |           |        |
|       | D10 |           | INC. 84-90               |     |     |         |           |        |
| 084   |     | 227628-1  | SPIRAL BEVEL GEAR 10     | 1   |     |         |           |        |
| 085   |     | 210256-9  | BALL BEARING 6904LLB     | 1   |     |         |           |        |
| 086   |     | 142410-6  | TORQUE LIMITER COMPLETE  | 1   |     |         |           |        |
| 087   |     | 324727-1  | SHOULDER WASHER 8        | 1   |     |         |           |        |
| 088   |     | 210005-4  | BALL BEARING 608DDW      | 1   |     |         |           |        |
| 089   |     | 253215-0  | FLAT WASHER 8            | 1   |     |         |           |        |
| 090   |     | 961004-6  | RETAINING RING (EXT) S-8 | 1   |     |         |           |        |
| 091   |     | 327729-6  | CRANK SHAFT              | 1   |     |         |           |        |
| 092   |     | 210255-1  | BALL BEARING 6006LLB     | 1   |     |         |           |        |
| 093   |     | 254229-2  | KEY 5                    | 2   |     |         |           |        |
| 094   |     | 227788-9  | HELICAL GEAR 46          | 1   |     |         |           |        |
| 095   |     | 227336-4  | SPUR GEAR 26             | 1   |     |         |           |        |
| 096   |     | 961102-6  | RETAINING RING S-22      | 1   |     |         |           |        |
| 097   |     | 253843-1  | FLAT WASHER 12           | 1   |     |         |           |        |
| 098   |     | 424609-8  | SEAL RING A              | 1   |     |         | D9116     |        |
| 098-1 |     | 422786-0  | SEAL RING A              | 1   | <   | D9116   |           |        |
| 099   |     | 142409-1  | GEAR HOUSING COMPLETE    | 1   |     |         |           |        |
| 100   |     | 454774-9  | SPRING PLATE             | 2   |     |         |           |        |
| 101   |     | 233497-0  | COMPRESSION SPRING 15    | 2   |     |         |           |        |
| 104   |     | 326375-2  | COUNTER WEIGHT           | 2   |     |         |           |        |
| 105   |     | 233497-0  | COMPRESSION SPRING 15    | 2   |     |         |           |        |
| 106   |     | 213953-6  | O RING 24                | 4   |     |         |           |        |
| 107   |     | 141E52-3  | HOLDER COMPLETE          | 2   |     |         |           |        |
| 108   |     | 213231-4  | OIL SEAL 15              | 1   |     |         |           |        |
| 110   |     | 211228-7  | BALL BEARING 6202DDW     | 1   |     |         |           |        |
| 111   |     | 267215-4  | FLAT WASHER 15           | 1   |     |         |           |        |
| 112   |     | 519652-1  | ROTOR ASSY               | 1   |     |         | DE252     |        |
|       | D10 |           | INC. 110,111,113         |     |     |         | DE252     |        |
| 112-1 |     | 519652-1  | ROTOR ASSY               | 1   | O   | DE252   |           |        |
|       | D10 |           | INC. 110,111,113         |     |     | DE252   |           |        |
| 113   |     | 210059-1  | BALL BEARING 6000DDW     | 1   |     |         |           |        |
| 114   |     | 265995-6  | TAPPING SCREW 4X18       | 4   |     |         |           |        |
| 115   |     | 413260-9  | BAFFLE PLATE             | 1   |     |         |           |        |
| 116   |     | 629A27-3  | STATOR                   | 1   |     |         |           |        |
| 117   |     | 632R89-4  | LEAD UNIT                | 1   |     |         |           |        |
| 118   |     | 652031-1  | PAN HEAD SCREW M3X6      | 3   |     |         |           |        |
| 119   |     | 620E26-2  | CONTROLLER B             | 1   |     |         |           |        |
| 120   |     | 687B69-9  | STOPPER                  | 1   |     |         |           |        |

Interchange  
O : Yes  
X : No  
< : the new part can be substituted for the current.  
> : the current part can be substituted for the new.  
S : Interchangeable as a set.

|           |               |
|-----------|---------------|
| <b>MX</b> | <b>MEXICO</b> |
|-----------|---------------|

### HR006G / 52MM CORDLESS ROTARY HAMMER

| Item  | Sub | Parts No. | Parts Description            | Qty | I/C | E/C No. | Close No. | Remark |
|-------|-----|-----------|------------------------------|-----|-----|---------|-----------|--------|
| 121   |     | 266490-9  | TAPPING SCREW PT 2X6         | 3   |     |         |           |        |
| 122   |     | 454780-4  | GUARD 52                     | 1   |     |         |           |        |
| 123   |     | 266041-8  | TAPPING SCREW 5X25           | 2   |     |         |           |        |
| 124   |     | 454763-4  | GEAR HOUSING COVER           | 1   |     |         |           |        |
| 125   |     | 413256-0  | MOTOR HOUSING                | 1   |     |         |           |        |
| 126   |     | 922359-4  | H.S.H.BOLT M6X35 WITH WG     | 2   |     |         | D9260     |        |
| 126-1 |     | 922359-4  | H.S.H.BOLT M6X35 WITH WG     | 2   | O   | D9260   |           |        |
| 127   |     | 256380-4  | SHOULDER PIN 4-6             | 2   |     |         |           |        |
| 128   |     | 412985-2  | BASE                         | 1   |     |         |           |        |
| 129   |     | 232643-2  | TORSION SPRING 13            | 1   |     |         |           |        |
| 130   |     | 140W48-9  | LEVER COMPLETE               | 1   |     |         |           |        |
| 131   |     | 263046-9  | TAPPING SCREW 3X14           | 2   |     |         |           |        |
| 132   |     | 265995-6  | TAPPING SCREW 4X18           | 2   |     |         |           |        |
| 133   |     | 620E28-8  | SENSOR CIRCUIT               | 1   |     |         |           |        |
| 134   |     | 620E29-6  | DIAL CIRCUIT                 | 1   |     |         |           |        |
| 135   |     | 140X97-2  | MOTOR HOUSING COVER COMPLETE | 1   |     |         |           |        |
|       | C10 | 422660-2  | RUBBER SHEET                 | 1   |     |         |           |        |
| 136   |     | 266041-8  | TAPPING SCREW 5X25           | 2   |     |         |           |        |
| 137   |     | 266041-8  | TAPPING SCREW 5X25           | 4   |     |         |           |        |
| 138   |     | 183S32-7  | HOUSING SET                  | 1   |     |         |           |        |
|       | C10 | 263005-3  | RUBBER PIN 6                 | 8   |     |         |           |        |
|       | C20 | 347755-9  | GUARD RAIL                   | 2   |     |         |           |        |
|       | C30 | 422646-6  | CAP 10                       | 2   |     |         |           |        |
|       | C40 | 347782-6  | PLATE                        | 4   |     |         |           |        |
|       | D10 |           | INC. 152                     |     |     |         |           |        |
| 139   |     | 232663-6  | COMPRESSION SPRING 8         | 1   |     |         |           |        |
| 140   |     | 620E27-0  | LED CIRCUIT                  | 1   |     |         |           |        |
| 141   |     | 620E25-4  | CONTROLLER                   | 1   |     |         |           |        |
| 142   |     | 620E30-1  | ACCELEROMETER CIRCUIT        | 1   |     |         |           |        |
| 143   |     | 256886-2  | ROD 3                        | 2   |     |         |           |        |
| 144   |     | 422472-3  | SPONGE SLEEVE 3              | 4   |     |         |           |        |
| 145   |     | 632R98-3  | TERMINAL UNIT                | 2   |     |         |           |        |
| 147   |     | 232152-1  | LEAF SPRING                  | 1   |     |         |           |        |
| 148   |     | 412953-5  | TRIGGER LOCK                 | 1   |     |         |           |        |
| 149   |     | 458097-7  | SWITCH LEVER                 | 1   |     |         |           |        |
| 150   |     | 232418-9  | COMPRESSION SPRING 5         | 1   |     |         |           |        |
| 151   |     | 651083-9  | SWITCH C3XA-1PSPM            | 1   |     |         |           |        |
| 152   |     | 183S32-7  | HOUSING SET                  | 1   |     |         |           |        |
|       | C10 | 263005-3  | RUBBER PIN 6                 | 8   |     |         |           |        |
|       | C20 | 347755-9  | GUARD RAIL                   | 2   |     |         |           |        |
|       | C30 | 422646-6  | CAP 10                       | 2   |     |         |           |        |
|       | C40 | 347782-6  | PLATE                        | 4   |     |         |           |        |
|       | D10 |           | INC. 138                     |     |     |         |           |        |
| 153   |     | 140F99-0  | CAP COMPLETE                 | 1   |     |         |           |        |
|       | C10 | 213218-6  | O RING 16                    | 1   |     |         |           |        |
|       | C20 | 818H07-8  | CAP LABEL                    | 1   |     |         |           |        |
| 154   |     | 265995-6  | TAPPING SCREW 4X18           | 10  |     |         |           |        |
| 155   |     | 8029M5-9  | XGT LOGO LABEL               | 1   |     |         |           |        |
| 156   |     | 811996-8  | HR006G SERIAL NO. LABEL      | 1   |     |         |           |        |
| 157   |     | 811990-0  | HR006G NAME PLATE            | 1   |     |         |           |        |
| A01   |     | 194683-7  | GREASE VESSEL SET            | 1   |     |         |           |        |
| A02   |     | 331955-1  | DEPTH GAUGE                  | 1   |     |         |           |        |
| A03   |     | 443122-7  | CLOTH                        | 1   |     |         |           |        |
| A04   |     | 135629-4  | SIDE GRIP ASSEMBLY           | 1   |     |         |           |        |
|       | C10 | 158131-0  | GRIP 36 COMPLETE             | 1   |     |         |           |        |
|       | C20 | 234226-4  | COMPRESSION SPRING 6         | 1   |     |         |           |        |
|       | C30 | 266163-4  | CUP SQUARE NECK BOLT M8X80   | 1   |     |         |           |        |
|       | C40 | 313223-4  | RACK GUIDE                   | 1   |     |         |           |        |
|       | C50 | 344492-6  | PLATE                        | 1   |     |         |           |        |
|       | C60 | 346750-6  | GRIP SPRING 90               | 1   |     |         |           |        |
|       | C70 | 453114-8  | LOCK BUTTON                  | 1   |     |         |           |        |
|       | C80 | 454781-2  | SIDE GRIP BASE 90            | 1   |     |         |           |        |
| A05   |     | 135283-4  | SIDE HANDLE 90 ASSEMBLY      | 1   |     |         |           |        |
|       | C10 | 252640-2  | WING NUT M8                  | 1   |     |         |           |        |
|       | C20 | 265439-6  | HEX. BOLT M8X150             | 1   |     |         |           |        |

Interchange  
O : Yes  
X : No  
< : the new part can be substituted for the current.  
> : the current part can be substituted for the new.  
S : Interchangeable as a set.

