

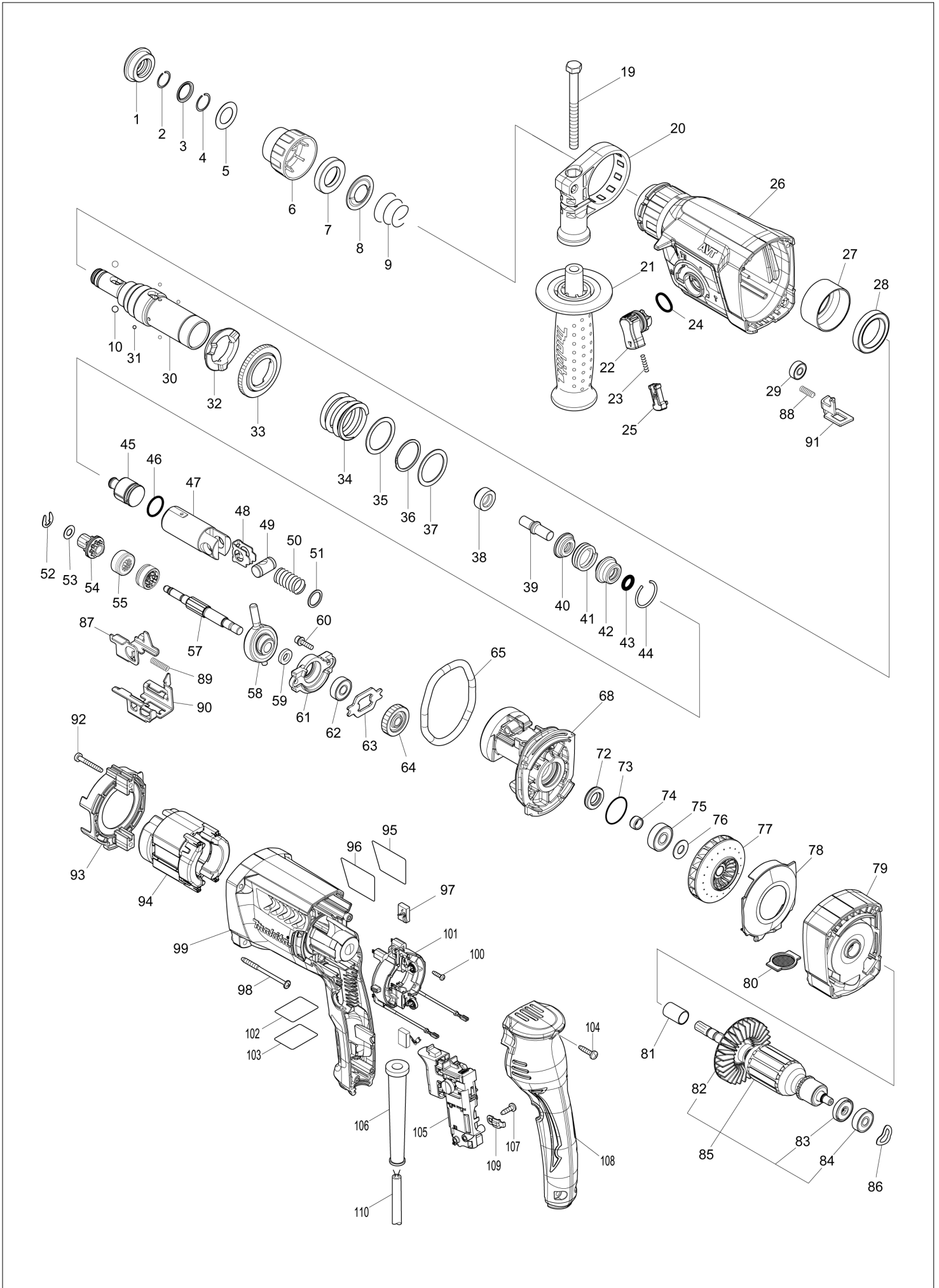
Diagram / Parts List

HR2652

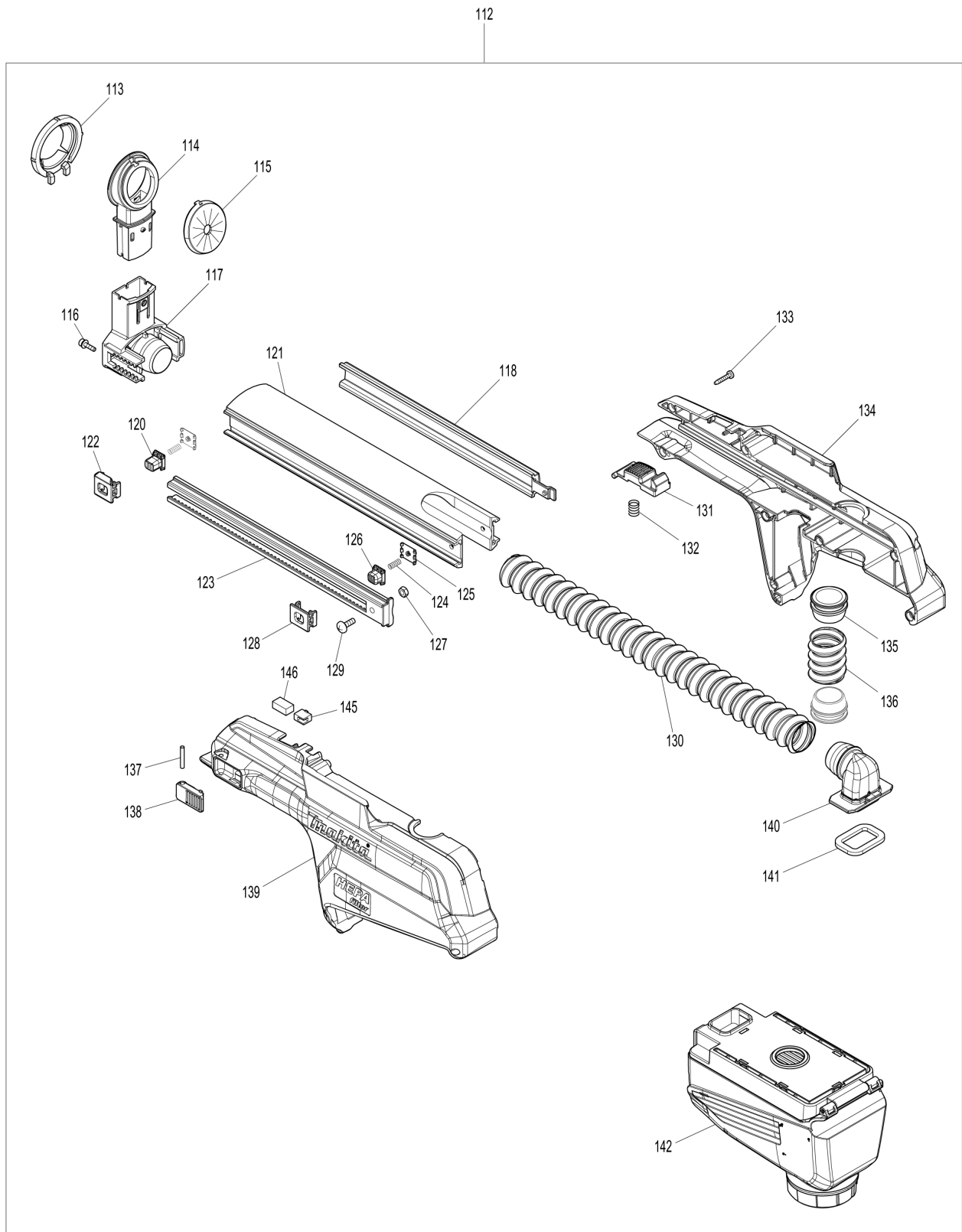
26MM COMB.HAMMER W/DUST EXT.



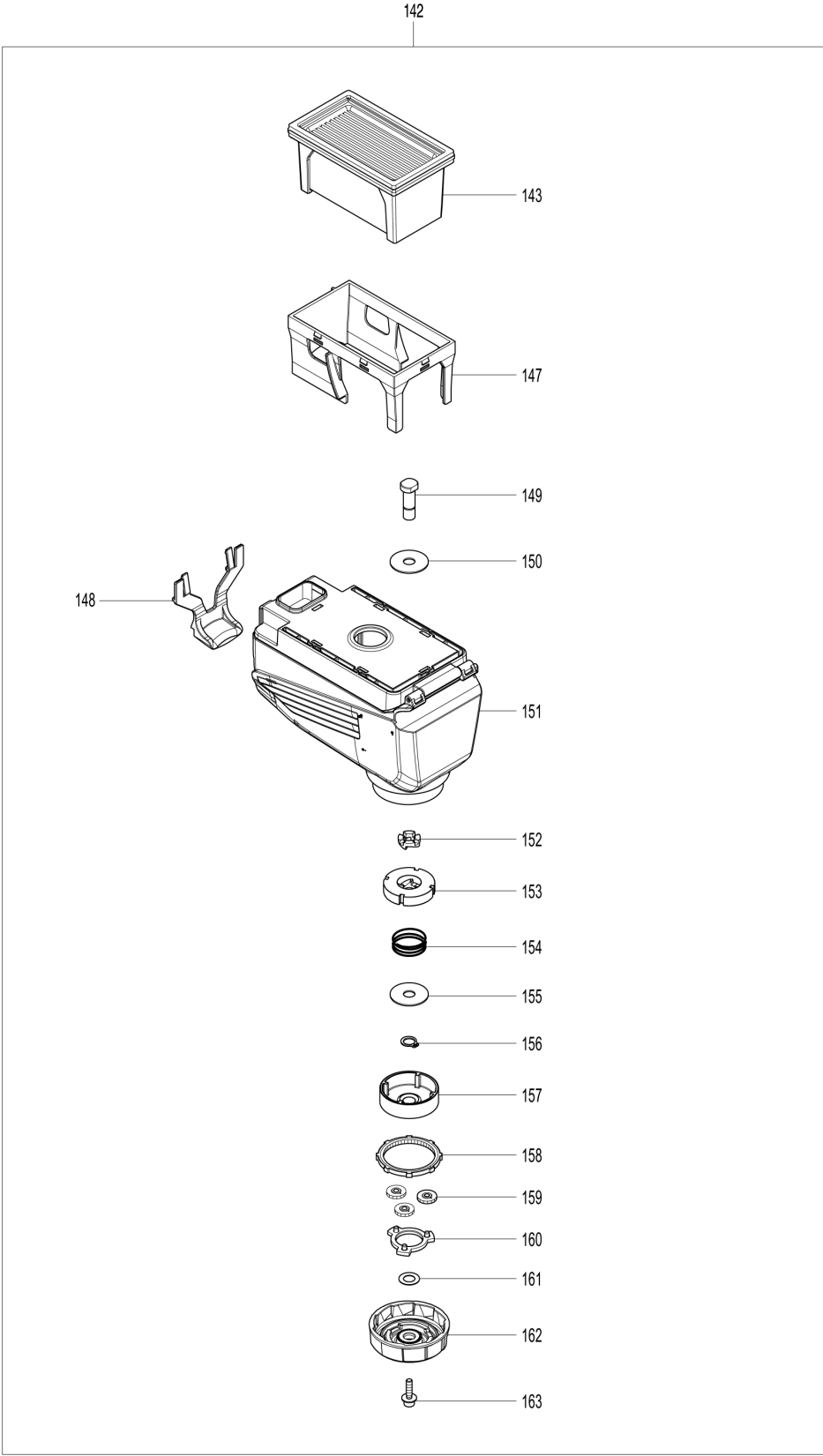
(MX) HR2652 / 26MM COMB.HAMMER W/DUST EXT.



(MX) HR2652 / 26MM COMB.HAMMER W/DUST EXT.



(MX) HR2652 / 26MM COMB.HAMMER W/DUST EXT.



MX

MEXICO

HR2652 / 26MM COMB.HAMMER W/DUST EXT.

MX

Item	Sub	Parts No.	Parts Description	Qty	I/C	E/C No.	Close No.	Remark
001		286288-8	CAP 35	1				
002		233989-9	RING SPRING 14	1				
003		346834-0	WASHER 16	1				
004		233992-0	RING SPRING 15	1				
005		267114-0	FLAT WASHER 17	1				
006		455393-4	CHUCK COVER	1				
007		325813-1	RING 21	1				
008		346177-0	GUIDE WASHER	1				
009		233916-6	CONICAL COMP. SPRING 21-29	1				
010		216022-2	STEEL BALL 7.0	2				
019		266745-2	HEX.BOLT M8X90	1				
020		453129-5	GRIP BASE	1				
021		158057-6	GRIP 36 COMPLETE	1				
	C10	931402-8	HEX. NUT M8	1				
022		161656-5	CHANGE LEVER COMPLETE	1				
023		234264-6	COMPRESSION SPRING 3	1				
024		213278-8	O RING 17	1				
025		457709-9	LOCK BUTTON	1				
026		140C99-2	GEAR HOUSING COMPLETE	1				
	C10	213636-8	OIL SEAL 25	1				
027		331890-3	CUP SLEEVE	1				
028		211294-4	BALL BEARING 6806LLU	1				
029		210028-2	BALL BEARING 606ZZ	1				
030		142973-2	TOOL HOLDER COMPLETE	1				
	C10	213344-1	OIL SEAL 9	1				
031		216019-1	STEEL BALL 3	4				
032		332139-4	DRIVING FLANGE	1				
033		227360-7	SPUR GEAR 51	1				
034		234148-8	COMPRESSION SPRING 31	1				
035		267153-0	FLAT WASHER 30	1				
036		257932-4	SPIRO LOCK WASHER 30	1				
037		267153-0	FLAT WASHER 30	1				
038		325782-6	SLEEVE 9A	1				
039		325789-2	IMPACT BOLT A	1				
040		325794-9	RING 10A	1				
041		424267-0	CUSHION RING 12	1				
042		325798-1	O-RING CASE A	1				
043		213073-6	O RING 9	1				
044		233979-2	RING SPRING 28	1				
045		325784-2	STRIKER	1				
046		213258-4	O RING 17.5	1				
047		310345-1	PISTON CYLINDER	1				
048		346036-8	GUIDE PLATE	1				
049		324215-8	PISTON JOINT	1				
050		234098-7	COMPRESSION SPRING 14	1				
051		267447-3	FLAT WASHER 14	1				
052		257336-0	STOP RING EXT U-6	1				
053		253186-1	FLAT WASHER 7	1				
054		227359-2	SPUR GEAR 10	1				
055		332125-5	CLUTCH CAM	2				
057		326448-1	CAM SHAFT	1				
058		219014-0	SWASH BEARING 10	1				
059		257321-3	RING 8	1				
060		266437-3	HEX. SOCKET HEAD BOLT M4X16	2				
061		310344-3	BEARING BOX	1				
062		211032-4	BALL BEARING 608ZZ	1				
063		285735-6	BEARING RETAINER	1				
064		227719-8	HELICAL GEAR 26	1				
065		213728-3	O-RING 68	1				
068		141572-7	INNER HOUSING COMPLETE	1				
072		213678-2	OIL SEAL 12	1				
073		213407-3	O RING 26	1				
074		262569-4	SLEEVE 9	1				
075		210042-8	BALL BEARING 629LLB	1				
076		253733-8	FLAT WASHER 9	1				

Interchange

O : Yes

X : No

< : the new part can be substituted for the current.

> : the current part can be substituted for the new.

S : Interchangeable as a set.

MX

MEXICO

HR2652 / 26MM COMB.HAMMER W/DUST EXT.

MX

Item	Sub	Parts No.	Parts Description	Qty	I/C	E/C No.	Close No.	Remark
077		240182-8	FAN 65	1				
078		457711-2	BAFFLE PLATE	1				
079		457710-4	FAN HOUSING	1				
080		457713-8	FILTER PLATE	1				
081		262184-4	SLEEVE 10	1				
082		240121-8	FAN 65	1				
083		681652-2	INSULATION WASHER	1				
084		210023-2	BALL BEARING 627DDW	1				
085		515421-8	ARMATURE ASSY 115V	1				
	D10		INC. 82-84					
086		267804-5	WAVE WASHER 15	1				
087		347230-5	CHANGE PLATE B	1				
088		233360-7	COMPRESSION SPRING 4	1				
089		234343-0	COMPRESSION SPRING 5	1				
090		347229-0	CHANGE PLATE A	1				
091		347228-2	LOCK PLATE	1				
092		266361-0	TAPPING SCREW 4X30	2				
093		451527-7	BAFFLE PLATE	1				
094		621872-6	FIELD	1				
095		819389-3	CLEAR LABEL	1				
096		855J95-6	HR2652 NAME PLATE	1				
097		195001-2	CARBON BRUSH SET CB-325	1				
098		266334-3	TAPPING SCREW 4X60	4				
099		451536-6	MOTOR HOUSING	1				
100		266556-5	TAPPING SCREW 3X12	2				
101		632K39-7	BRUSH HOLDER UNIT	1				
102		855J99-8	HR2652 SERIAL NO. LABEL	1				
103		819390-8	CLEAR LABEL	1				
104		266326-2	TAPPING SCREW 4X18	3				
105		650626-4	SWITCH TG853TB-1	1				
106		682559-5	CORD GUARD 8	1				
107		266385-6	TAPPING SCREW 4X14	1				
108		451528-5	HANDLE COVER	1				
109		687681-3	STRAIN RELIEF	1				
110		664895-1	POWER SUPPLY CORD #18-2-4.0	1				
112		127185-8	DUST COLLECTION SYSTEM	1				
	D10		INC. 113-118,120-142,145,146					
113		424722-2	FITTING RUBBER	1				
114		455736-0	COLLECTOR	1				
115		424474-5	SEALING CAP	1				
116		251568-1	H.S.H.BOLT M3X12 WITH WR	2				
117		457730-8	COLLECTOR BASE A	1				
118		457723-5	PIPE COVER	1				
120		457718-8	PUSH BUTTON B	1				
121		326988-9	SLIDE PIPE	1				
122		457728-5	STOPPER BASE B	1				
123		457722-7	RACK GUIDE	1				
124		232386-6	COMPRESSION SPRING 4	2				
125		457721-9	SPRING PLATE	2				
126		457717-0	PUSH BUTTON A	1				
127		931102-0	HEX. NUT M4	1				
128		457719-6	STOPPER BASE A	1				
129		251314-2	+ SCREW M4X12	1				
130		245045-3	HOSE 30	1				
131		458668-0	LOCK LEVER	1				
132		231316-4	COMPRESSION SPRING 7	1				
133		266130-9	TAPPING SCREW BIND PT 3X16	8				
134		183K50-7	HOUSING SET	1				
	D10		INC. 139					
135		457712-0	JOINT SLEEVE	2				
136		245047-9	HOSE 30	1			D1224	
136-1		245042-9	HOSE 30 C	1	O	D1224		
137		256158-5	PIN 3	1				
138		457720-1	PUSH LEVER	1				
139		183K50-7	HOUSING SET	1				

Interchange
O : Yes
X : No
< : the new part can be substituted for the current.
> : the current part can be substituted for the new.
S : Interchangeable as a set.

