



MX

MEXICO

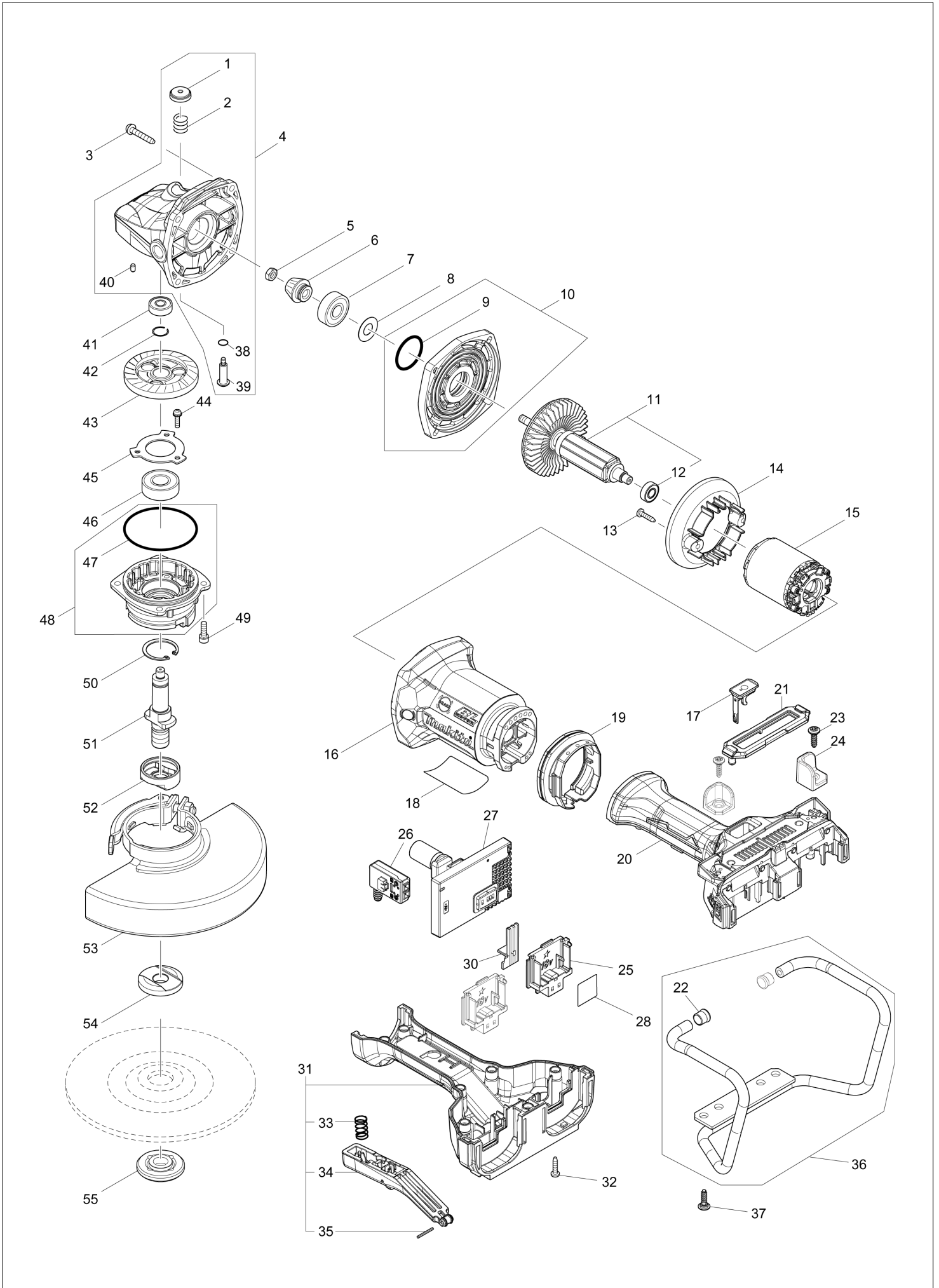
# Diagram / Parts List

**DGA701**

**180MM CORDLESS ANGLE GRINDER**



# (MX) DGA701 / 180MM CORDLESS ANGLE GRINDER



<b>MX</b>	<b>MEXICO</b>
-----------	---------------

### DGA701 / 180MM CORDLESS ANGLE GRINDER

Item	Sub	Parts No.	Parts Description	Qty	I/C	E/C No.	Close No.	Remark
001		451485-7	PIN CAP	1				
002		233089-5	COMPRESSION SPRING 12	1				
003		266173-1	TAPPING SCREW 5X30	4				
004		135918-7	GEAR HOUSING ASS'Y	1				
	D10		INC. 1,2,38-40					
005		264010-3	HEX.NUT M7	1				
006		227564-1	SPIRAL BEVEL GEAR 10A	1				
007		211137-0	BALL BEARING 6201LLU	1				
008		253759-0	FLAT WASHER 12	1				
009		213459-4	O RING 32	1				
010		135916-1	GEAR HOUSING COVER ASS'Y	1				
	D10		INC. 9					
011A		519436-7	ROTOR ASS'Y	1			C5156	
	D10		INC. 12				C5156	
011-1A		519436-7	ROTOR ASS'Y	1	O	C5156		
	D10		INC. 12			C5156		
011-1B		519436-7	ROTOR ASS'Y	1				
	D10		INC. 12					
011-1C		519436-7	ROTOR ASS'Y	1				
	D10		INC. 12					
012		211166-3	BALL BEARING 698DDW	1				
013		266326-2	TAPPING SCREW 4X18	2				
014		457618-2	BAFFLE PLATE	1				
015		629376-2	STATOR	1				
016		457615-8	MOTOR HOUSING	1				
017		140F99-0	CAP COMPLETE	1				
	C10	213218-6	O RING 16	1				
	C20	818H07-8	CAP LABEL	1				
018		854U75-5	DGA701 NAME PLATE	1				
019		457619-0	VIBRATION PROOF RUBBER	1				
020A		136022-5	HANDLE SWITCH LEVER ASS'Y	1			C8255	
	C10	263005-3	RUBBER PIN 6	4			C8255	
	D10		INC. 31,33-35				C8255	
020-1A		136110-8	HANDLE SWITCH LEVER ASS'Y	1	<	C8255		
	C10	263005-3	RUBBER PIN 6	4		C8255		
	D10		INC. 31,33-35			C8255		
020-1B		136110-8	HANDLE SWITCH LEVER ASS'Y	1				
	C10	263005-3	RUBBER PIN 6	4				
	D10		INC. 31,33-35					
020-1C		136110-8	HANDLE SWITCH LEVER ASS'Y	1				
	C10	263005-3	RUBBER PIN 6	4				
	D10		INC. 31,33-35					
021		457620-5	DUST COVER	1				
022		422230-7	CAP	2				
023		251587-7	H.L.TAPPING SCREW 5X18	2				
024A		327048-0	PROTECTION BLOCK	2			C5095	
024-1A		347482-8	PROTECTION BLOCK	2	O	C5095		
024-1B		347482-8	PROTECTION BLOCK	2				
024-1C		347482-8	PROTECTION BLOCK	2				
025		644809-6	TERMINAL	2				
026		651083-9	SWITCH C3XA-1PSPM	1				
027		620987-6	CONTROLLER COMPLETE	1				
	C10	801H41-5	INDICATION LABEL	1				
028		854U82-8	DGA701 SERIAL NO. LABEL	1				
030		457621-3	LENS	1				
031A		136022-5	HANDLE SWITCH LEVER ASS'Y	1			C8255	
	C10	263005-3	RUBBER PIN 6	4			C8255	
	D10		INC. 20,33-35				C8255	
031-1A		136110-8	HANDLE SWITCH LEVER ASS'Y	1	<	C8255		
	C10	263005-3	RUBBER PIN 6	4		C8255		
	D10		INC. 20,33-35			C8255		
031-1B		136110-8	HANDLE SWITCH LEVER ASS'Y	1				
	C10	263005-3	RUBBER PIN 6	4				
	D10		INC. 20,33-35					
031-1C		136110-8	HANDLE SWITCH LEVER ASS'Y	1				

A:DGA701Z(N)  
 B:DGA701ZU(N)  
 C:DGA701PT2(L)

Interchange  
 O : Yes  
 X : No  
 < : the new part can be substituted for the current.  
 > : the current part can be substituted for the new.  
 S : Interchangeable as a set.

<b>MX</b>	<b>MEXICO</b>
-----------	---------------

### DGA701 / 180MM CORDLESS ANGLE GRINDER

Item	Sub	Parts No.	Parts Description	Qty	I/C	E/C No.	Close No.	Remark
	C10	263005-3	RUBBER PIN 6	4				
	D10		INC. 20,33-35					
032		265999-8	TAPPING SCREW 4X25	7				
033		234357-9	COMPRESSION SPRING 11	1				
034		144584-9	SWITCH LEVER COMPLETE	1				
035		951019-1	SPRING PIN 2-20	1				
036		135919-5	GUARD PIPE ASS'Y	1				
	D10		INC. 22					
037		251587-7	H.L.TAPPING SCREW 5X18	4				
038		213026-5	O RING 7	1				
039		256516-5	SHOULDER PIN 11	1				
040		263002-9	RUBBER PIN 4	1				
041		210029-0	BALL BEARING 608ZZ	1				
042		233925-5	RING SPRING 13	1				
043		227562-5	SPIRAL BEVEL GEAR 38	1				
044		911128-8	P.H.SCREW M4X16 WITH WR	3				
045		285851-4	BEARING RETAINER	1				
046		211241-5	BALL BEARING 6202DDW	1				
047		213720-9	O RING 67	1				
048		135917-9	BEARING BOX ASS'Y	1				
	D10		INC. 47					
049		922221-3	HEX. SOCKET HEAD BOLT M5X16	4				
050		962151-6	RETAINING RING R-32	1				
051		326964-3	SPINDLE A	1				
052		310801-1	LEAD FLANGE A	1				
053		123542-8	TOOL LESS WHEEL COVER 180AK AS	1				
054		224448-4	INNER FLANGE 45B	1				
055		224486-6	LOCK NUT 5/8-45	1				
A01		143486-6	GRIP 37 COMPLETE	1				
A02		782412-6	LOCK NUT WRENCH 28	1				
A03B		198901-5	WIRELESS UNIT SET	1			D4357	
A03C		821717-0	PLASTIC CARRYING CASE	1				
	C10	162271-8	LATCH	2				
A03-1B		198901-5	WIRELESS UNIT SET	1	<	D4357		
A04C		***DC18RD	DC18RD TWO PORT FAST CHARGER	1				
	D10		COMPO-PARTS					
A05C		197283-2	BATTERY BL1850B SET	2				

A:DGA701Z(N)  
B:DGA701ZU(N)  
C:DGA701PT2(L)

Interchange  
O : Yes  
X : No  
< : the new part can be substituted for the current.  
> : the current part can be substituted for the new.  
S : Interchangeable as a set.