



| | |
|----|--------|
| MX | MEXICO |
|----|--------|

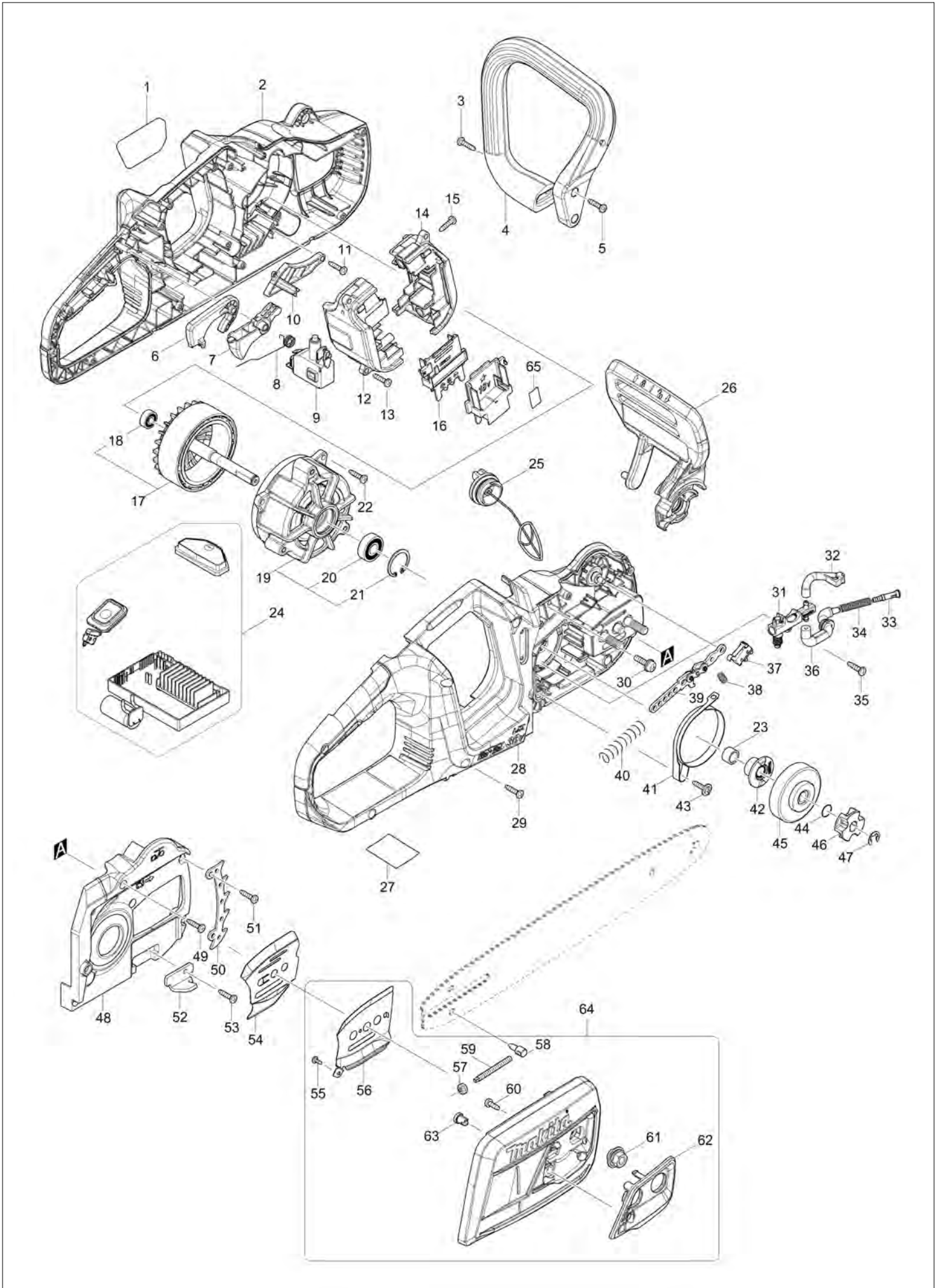
Diagram / Parts List

DUC405

400MM CORDLESS CHAIN SAW



(MX) DUC405 / 400MM CORDLESS CHAIN SAW



| | |
|-----------|---------------|
| MX | MEXICO |
|-----------|---------------|

DUC405 / 400MM CORDLESS CHAIN SAW

| Item | Sub | Parts No. | Parts Description | Qty | I/C | E/C No. | Close No. | Remark |
|-------|-----|-----------|---------------------------|-----|-----|---------|-----------|--------|
| 001 | | 818H95-5 | DUC405 MODEL NO. LABEL | 1 | | | | |
| 002 | | 183K77-7 | HOUSING SET | 1 | | | C6730 | |
| | C10 | 812D16-5 | CAUTION LABEL | 1 | | | C6730 | |
| | D10 | | INC. 28 | | | | C6730 | |
| 002-1 | | 183K77-7 | HOUSING SET | 1 | O | C6730 | | |
| | C10 | 812D16-5 | CAUTION LABEL | 1 | | C6730 | | |
| | D10 | | INC. 28 | | | C6730 | | |
| 003 | | 266326-2 | TAPPING SCREW 4X18 | 2 | | | | |
| 004 | | 457007-1 | FRONT HANDLE | 1 | | | | |
| 005 | | 266326-2 | TAPPING SCREW 4X18 | 2 | | | | |
| 006 | | 457013-6 | CATCH LEVER | 1 | | | | |
| 007 | | 457006-3 | SWITCH LEVER | 1 | | | | |
| 008 | | 232318-3 | TORSION SPRING 10 | 1 | | | | |
| 009 | | 650781-2 | SWITCH C3JW-6B-P | 1 | | | | |
| 010 | | 457010-2 | HOUSING L COVER | 1 | | | | |
| 011 | | 266326-2 | TAPPING SCREW 4X18 | 1 | | | | |
| 012 | | 183F15-9 | TERMINAL BOX SET | 1 | | | | |
| | C10 | 263005-3 | RUBBER PIN 6 | 4 | | | | |
| | D10 | | INC. 14 | | | | | |
| 013 | | 266326-2 | TAPPING SCREW 4X18 | 4 | | | | |
| 014 | | 183F15-9 | TERMINAL BOX SET | 1 | | | | |
| | C10 | 263005-3 | RUBBER PIN 6 | 4 | | | | |
| | D10 | | INC. 12 | | | | | |
| 015 | | 266326-2 | TAPPING SCREW 4X18 | 2 | | | | |
| 016 | | 643874-2 | TERMINAL | 2 | | | | |
| 017 | | 519411-3 | ROTOR ASS'Y | 1 | | | | |
| | D10 | | INC. 18 | | | | | |
| 018 | | 210028-2 | BALL BEARING 606ZZ | 1 | | | | |
| 019 | | 592H45-5 | STATOR ASS'Y | 1 | | | | |
| | D10 | | INC. 20,21 | | | | | |
| 020 | | 210059-1 | BALL BEARING 6000DDW | 1 | | | | |
| 021 | | 962105-3 | RETAINING RING R-26 | 1 | | | | |
| 022 | | 266326-2 | TAPPING SCREW 4X18 | 3 | | | | |
| 023 | | 257402-3 | SLEEVE 10 | 1 | | | | |
| 024 | | 144483-5 | CONTROLLER COMPLETE | 1 | | | | |
| 025 | | 168508-1 | TANK CAP COMPLETE | 1 | | | | |
| | C10 | 213355-6 | O-RING 25 | 1 | | | | |
| 026 | | 458418-3 | FRONT HAND GUARD | 1 | | | | |
| 027 | | 855A27-9 | DUC405 NAME PLATE | 1 | | | | |
| 028 | | 183K77-7 | HOUSING SET | 1 | | | C6730 | |
| | C10 | 812D16-5 | CAUTION LABEL | 1 | | | C6730 | |
| | D10 | | INC. 2 | | | | C6730 | |
| 028-1 | | 183K77-7 | HOUSING SET | 1 | O | C6730 | | |
| | C10 | 812D16-5 | CAUTION LABEL | 1 | | C6730 | | |
| | D10 | | INC. 2 | | | C6730 | | |
| 029 | | 266326-2 | TAPPING SCREW 4X18 | 8 | | | | |
| 030 | | 911233-1 | PAN HEAD SCREW M5X20 | 3 | | | | |
| 031 | | 142156-4 | OIL PUMP COMPLETE | 1 | | | D4444 | |
| 031-1 | | 142156-4 | OIL PUMP COMPLETE | 1 | O | D4444 | | |
| 032 | | 424904-6 | CONNECTOR B | 1 | | | | |
| 033 | | 452666-6 | NIPPLE | 1 | | | | |
| 034 | | 234207-8 | COMPRESSION SPRING 6 | 1 | | | | |
| 035 | | 266326-2 | TAPPING SCREW 4X18 | 1 | | | | |
| 036 | | 424903-8 | CONNECTOR A | 1 | | | | |
| 037 | | 632H47-0 | SWITCH UNIT | 1 | | | | |
| 038 | | 231298-0 | COMPRESSION SPRING 6 | 1 | | | | |
| 039 | | 163448-8 | LINKPLATE COMPLETE | 1 | | | | |
| 040 | | 232319-1 | COMPRESSION SPRING 9 | 1 | | | | |
| 041 | | 345454-7 | BRAKE BAND | 1 | | | | |
| 042 | | 221427-3 | WORM GEAR | 1 | | | | |
| 043 | | 265620-9 | TAPPING SCREW FLANGE 4X18 | 1 | | | | |
| 044 | | 213060-5 | O RING 10 | 1 | | | | |
| 045 | | 161891-5 | BRAKE DRUM COMPLETE | 1 | | | | |
| 046 | | 221464-7 | SPROCKET 6 | 1 | | | | |
| 047 | | 961013-5 | STOP RING E-7 | 1 | | | | |

Interchange
O : Yes
X : No
< : the new part can be substituted for the current.
> : the current part can be substituted for the new.
S : Interchangeable as a set.

