



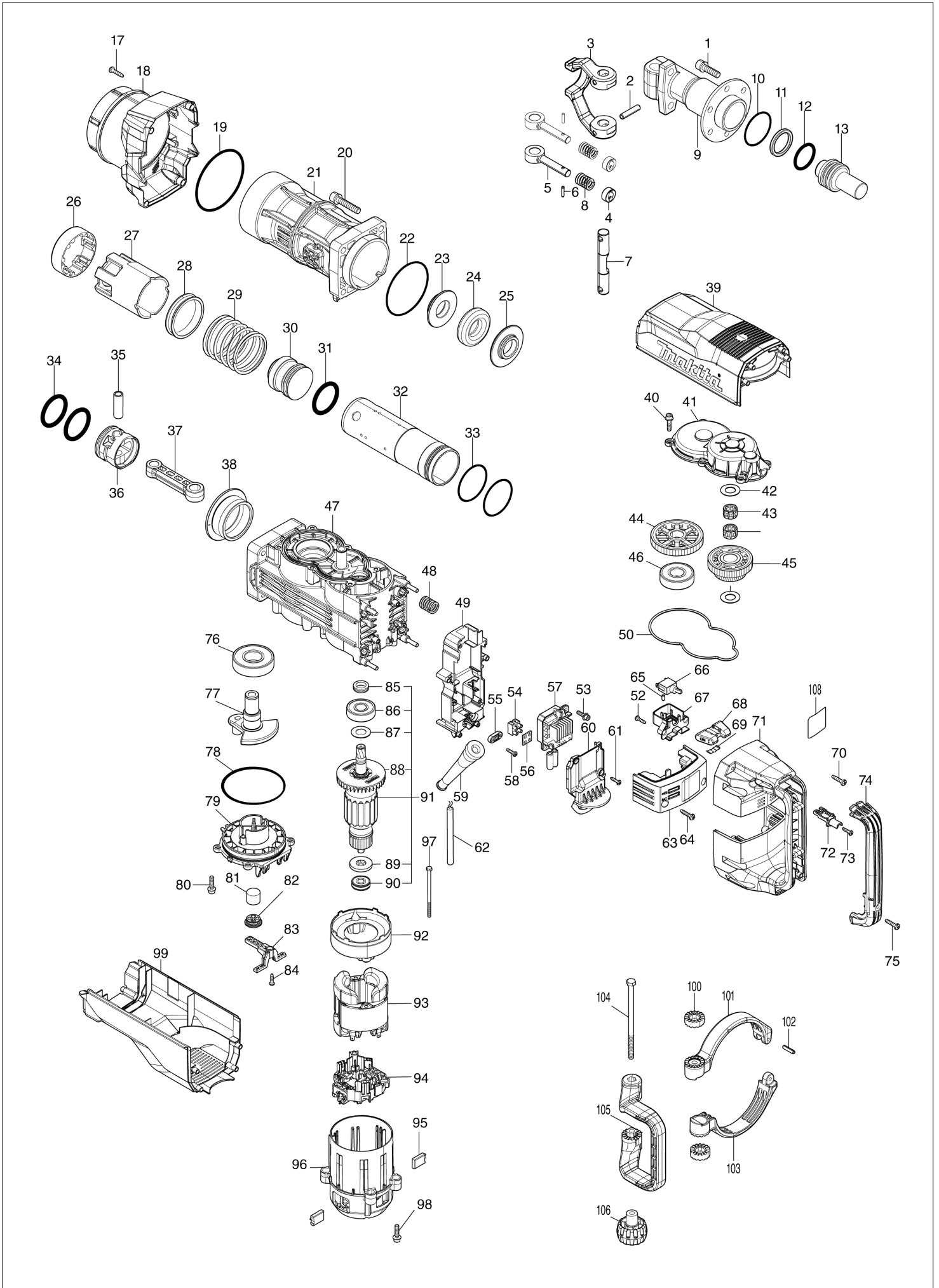
MX	MEXICO
----	--------

Diagram / Parts List

HM1502

ELECTRIC BREAKER

(MX) HM1502 / ELECTRIC BREAKER



MX**MEXICO****HM1502 / ELECTRIC BREAKER**

Item	Sub	Parts No.	Parts Description	Qty	I/C	E/C No.	Close No.	Remark
001		265B53-0	H.S HEAD BOLT M10X35 WM	6				
002		951272-9	SPRING PIN 8-40	2				
003		325895-3	TOOL RETAINER	1				
004		322560-5	RETAINER RING	2				
005		322477-2	TOOL RETAINER POLE	2				
006		256219-1	PIN 4	2				
007		324238-6	TOOL RETAINER SHAFT	1				
008		233083-7	COMPRESSION SPRING 12	2				
009		313323-0	TOOL HOLDER B	1				
010		213670-8	O RING 58	1				
011		213911-2	X-RING 38	1				
012		213912-0	O-RING 40	1				
013		327669-8	IMPACT BOLT B	1				
017		266041-8	TAPPING SCREW 5X25	4				
018		412874-1	BARREL COVER	1				
019		213916-2	O-RING106	1				
020		265B55-6	H.S HEAD BOLT M10X50 WM	4				
021		313324-8	BARREL	1				
022		213806-9	O RING 90	1				
023		327667-2	SHOULDER RING 30 B	1				
024		262196-7	RUBBER RING 31	1				
025		327666-4	SHOULDER RING 30 A	1				
026		313321-4	GUIDE RING	1				
027		412859-7	SLIDE SLEEVE	1				
028		327664-8	SLEEVE 65	1				
029		232646-6	COMPRESSION SPRING 66	1				
030		327665-6	STRIKER	1				
031		213913-8	O-RING 48	1				
032		327662-2	CYLINDER 59	1				
033		213656-2	O RING 53	2				
034		213913-8	O-RING 48	2				
035		327663-0	PIPE 15	1				
036		412858-9	PISTON	1				
037		412857-1	CONNECTING ROD	1				
038		327661-4	SPACER	1				
039		412875-9	TOP COVER	1				
040		266923-4	H.S.HEAD BOLT M6X25 WITH GM	6				
041		413211-2	GEAR COVER	1				
042		267487-1	FLAT WASHER 17	2				
043		212230-3	NEEDLE CAGE 1715	2				
044		227832-2	HELICAL GEAR 53	1				
045		227833-0	GEAR COMPLETE 31-45	1				
046		210234-9	BALL BEARING 2216LLB	1				
047		140W39-0	CRANK HOUSING B COMPLETE	1				
048		232645-8	COMPRESSION SPRING 16B	4				
049		412868-6	CONTROLLER CASE	1				
050		422636-9	SEAL RING	1				
052		265995-6	TAPPING SCREW 4X18	2				
053		266903-0	HEX.S.HEAD BOLT M5X20 WITH WR	2				
054		654741-6	TERMINAL BLOCK	2				
055		687066-3	STRAIN RELIEF	1				
056		685756-2	RUBBER SHEET	2				
057		620E01-8	CONTROLLER	1				
058		265999-8	TAPPING SCREW 4X25	2				
059		682578-1	CORD GUARD	1				
060		412869-4	CORD COVER	1				
061		265995-6	TAPPING SCREW 4X18	4				
062		664290-5	POWER SUPPLY CORD AWG 14-2-5.0	1				
063		140W49-7	CONTROLLER COVER COMPLETE	1				
064		266041-8	TAPPING SCREW 5X25	2				
065		263027-3	RUBBER PIN 4	1				
066		651423-1	SWITCH	1				
067		412878-3	SWITCH HOLDER	1				
068		451112-6	SLIDE LEVER	1				
069		232209-8	LEAF SPRING	1				

Interchange
O : Yes
X : No
< : the new part can be substituted for the current.
> : the current part can be substituted for the new.
S : Interchangeable as a set.

MX | MEXICO

HM1502 / ELECTRIC BREAKER

Item	Sub	Parts No.	Parts Description	Qty	I/C	E/C No.	Close No.	Remark
070		266041-8	TAPPING SCREW 5X25	8				
071		140W50-2	HANDLE COMPLETE	1				
	C10	263044-3	RUBBER PIN 6	4				
072		412879-1	SWITCH SUPPORT	1				
073		265995-6	TAPPING SCREW 4X18	1				
074		412880-6	HANDLE COVER	1				
075		266041-8	TAPPING SCREW 5X25	1				
076		210233-1	BALL BEARING 2818LLU	1				
077		327660-6	CRANK SHAFT	1				
078		213914-6	O-RING 100	1				
079		412864-4	CRANK CAP B	1				
080		266923-4	H.S.HEAD BOLT M6X25 WITH GM	4				
081		443127-7	FILTER	1				
082		424668-2	FILTER CAP	1				
083		412867-8	FILTER GUIDE	1				
084		265995-6	TAPPING SCREW 4X18	1				
085		332129-7	SEALING SCREW	1				
086		211152-4	BALL BEARING 6303LLU	1				
087		267487-1	FLAT WASHER 17	1				
088		240213-3	FAN 80	1				
089		681630-2	INSULATION WASHER	1				
090		210232-3	BALL BEARING 6200DDW	1				
091		515541-8	ARMATURE ASSY 115V	1				
	D10		INC. 85-90					
092		412861-0	BUFFLE PLATE	1				
093		634746-2	FIELD 115V	1				
094		632R65-8	BRUSH HOLDER UNIT	1				
095		197128-4	CARBON BRUSH CB-218	1				
096		412860-2	MOTOR HOUSING	1				
097		265B54-8	+ HEX BOLT M5X95 WITH GM	2				
098		266923-4	H.S.HEAD BOLT M6X25 WITH GM	4				
099		412886-4	REAR COVER B	1				
100		417002-3	SIDE HANDLE CAM	2				
101		312A28-5	SIDE HANDLE BASE A	1				
102		951166-8	SPRING PIN 5-24	1				
103		312A29-3	SIDE HANDLE BASE B	1				
104		265439-6	HEX. BOLT M8X150	1				
105		412881-4	SIDE HANDLE	1				
106		252640-2	WING NUT M8	1				
108		858C38-5	HM1502 NAME PLATE	1				
A01		D-21353	BULL POINT 520	1				

Interchange
O : Yes
X : No
< : the new part can be substituted for the current.
> : the current part can be substituted for the new.
S : Interchangeable as a set.