



MX

MEXICO

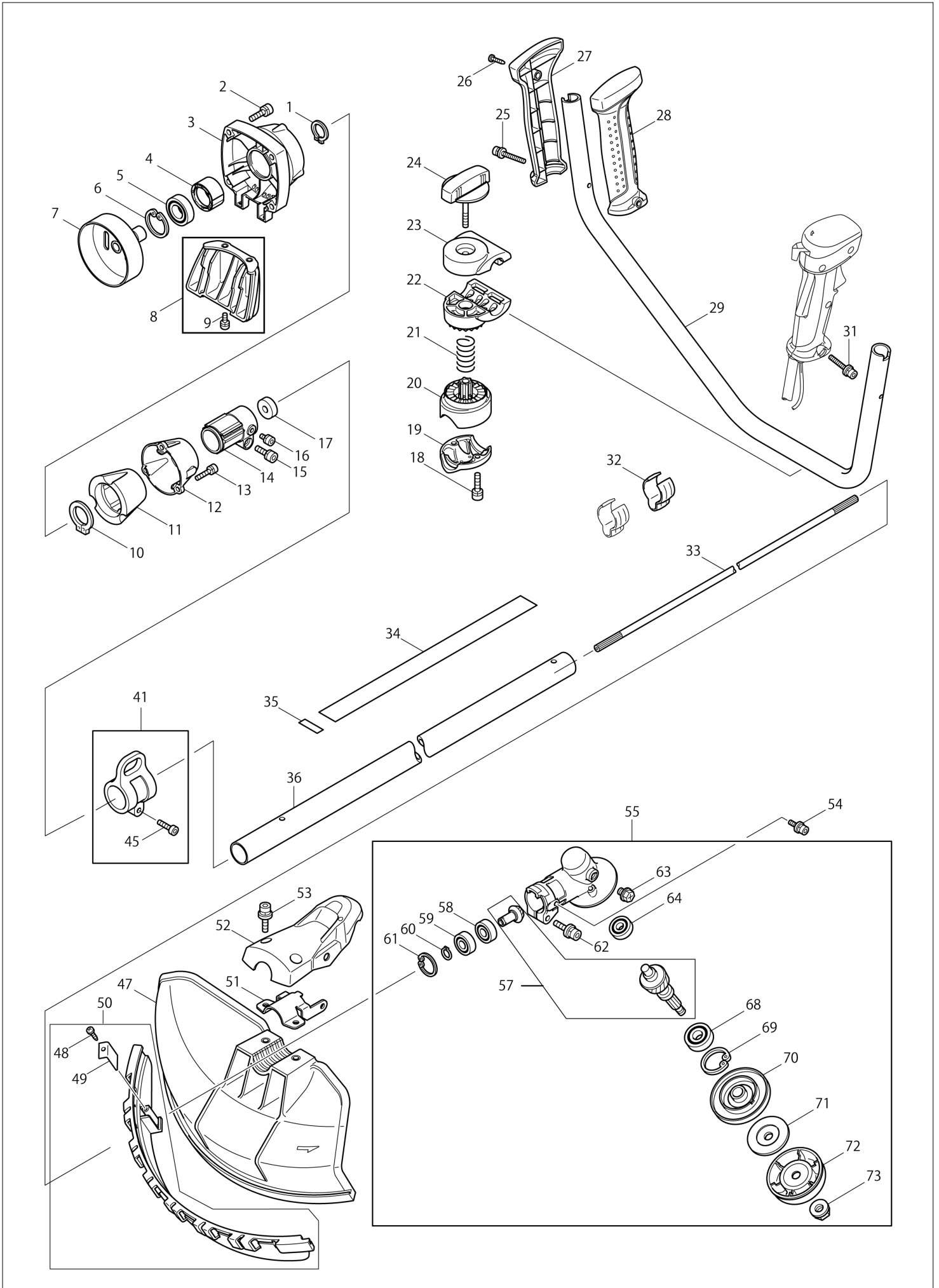
Diagram / Parts List

EBH341U

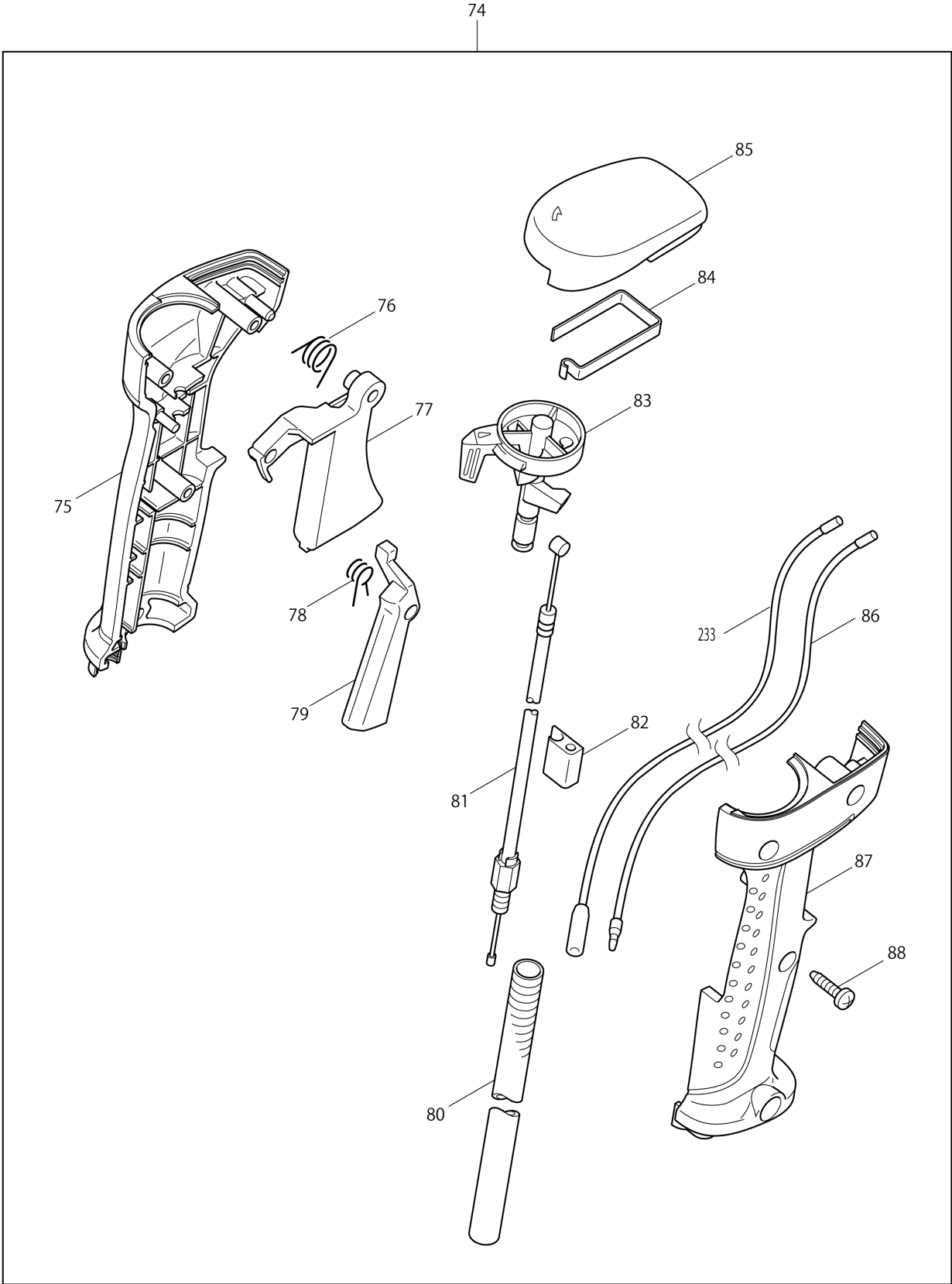
BRUSH CUTTER



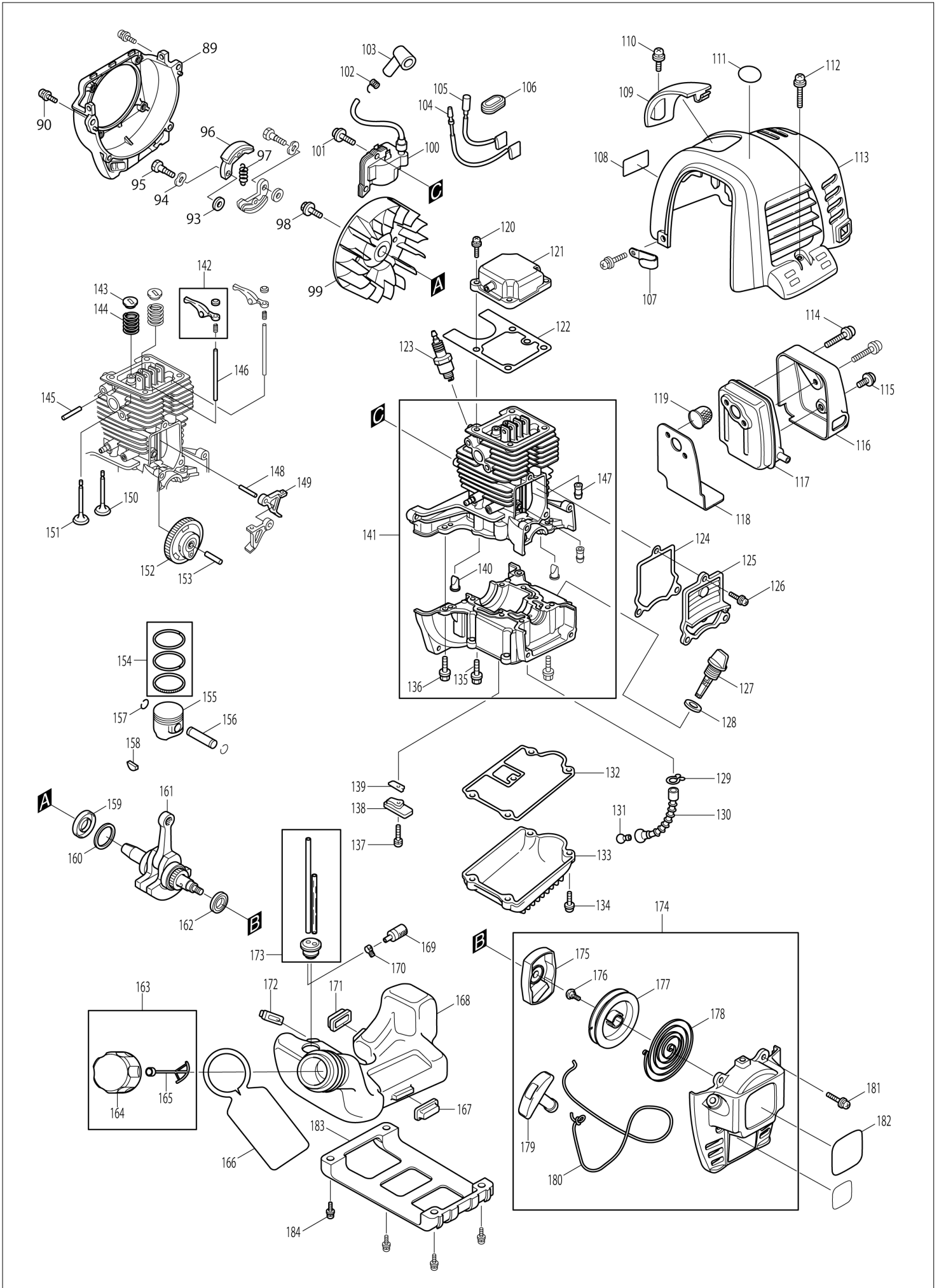
(MX) EBH341U / BRUSH CUTTER



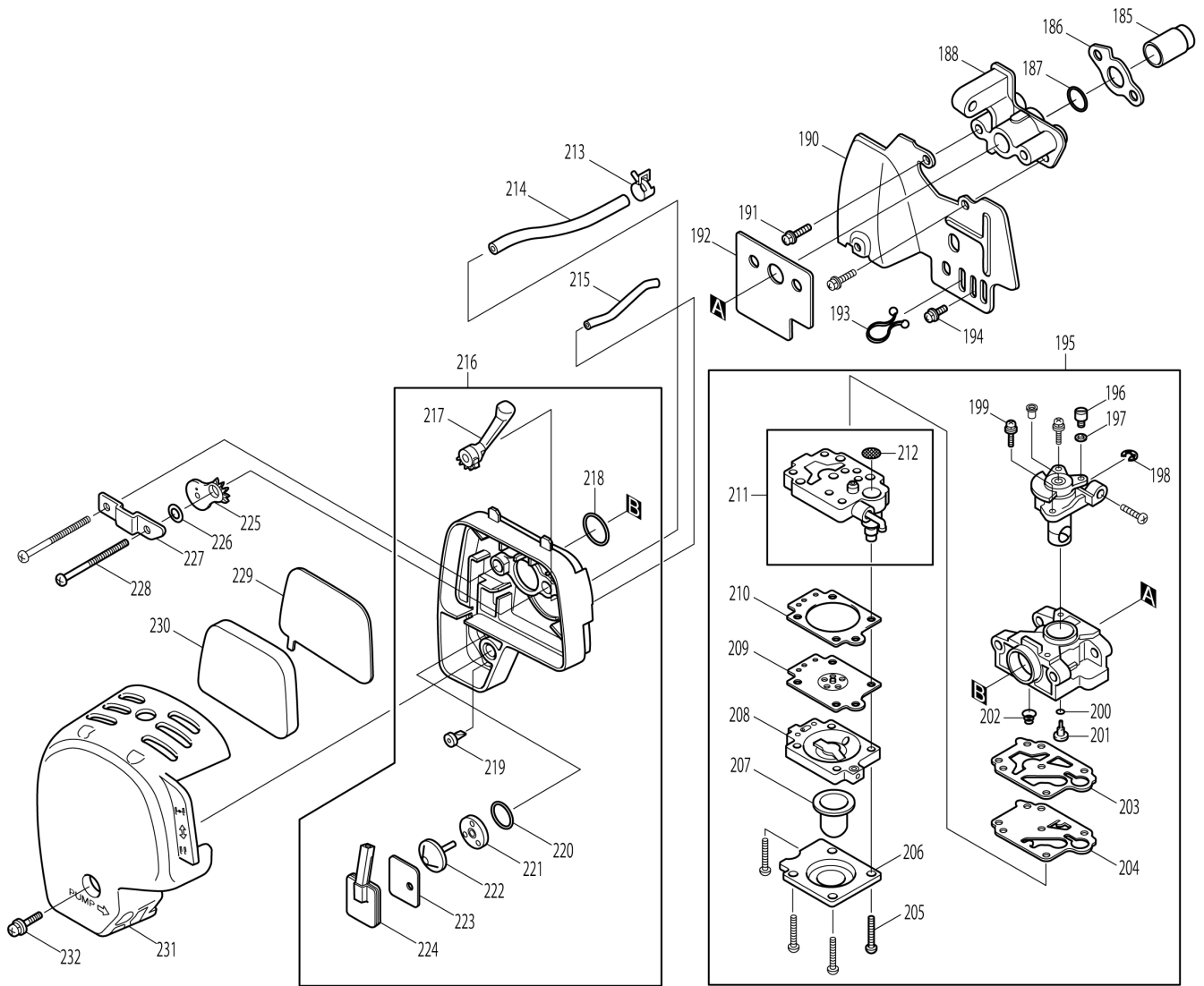
(MX) EBH341U / BRUSH CUTTER



(MX) EBH341U / BRUSH CUTTER



(MX) EBH341U / BRUSH CUTTER



MX**MEXICO****EBH341U / BRUSH CUTTER**

Item	Sub	Parts No.	Parts Description	Qty	I/C	E/C No.	Close No.	Remark
001		961057-5	RETAINING RING S-17	1				
002		922331-6	HEX. SOCKET HEAD BOLT M6X20	4				
003		318421-5	CLUTCH CASE	1				
004		451157-4	SPACER	1				
005		211338-0	BALL BEARINNG 6003LLU	1			A5084	
005-1		210126-2	BALL BEARING 6003LLU	1	O	A5084		
006		962153-2	RETAINING RING R-35	1				
007		165577-3	CLUTCH DRUM	1				
008		195144-0	STAND SET	1				
	D10		INC. 9					
009		911218-7	PAN HEAD SCREW M5X14	2				
010		961151-3	RETAINING RING S-32	1				
011		424204-4	DAMPER	1				
012		318453-2	PIPE RETAINER	1				
013		922231-0	HEX. SOCKET HEAD BOLT M5X20	3				
014		318454-0	PIPE BRACKET	1				
015		922331-6	HEX. SOCKET HEAD BOLT M6X20	1				
016		922201-9	HEX. SOCKET HEAD BOLT M5X8	1				
017		443146-3	FELT RING 8	1				
018		922341-3	HEX. SOCKET HEAD BOLT M6X25	2				
019		318422-3	PIPE CLAMP	1				
020		318423-1	PIPE HOLDER	1				
021		233202-5	COMPRESSION SPRING 20	1				
022		318424-9	HANDLE HOLDER	1				
023		318425-7	HANDLE CLAMP	1				
024		168524-3	KNOB 57	1			96348	
024-1		168796-0	KNOB 57	1	<	96348		
025		922256-4	HEX. SOCKET HEAD BOLT M5X35	1				
026		266326-2	TAPPING SCREW 4X18	1				
027-1		188660-9	GRIP SET	1				
	D10		INC. 28					
028-1		188660-9	GRIP SET	1				
	D10		INC. 27					
029		331863-6	HANDLE 22	1				
031		922256-4	HEX. SOCKET HEAD BOLT M5X35	1				
032		451525-1	WIRE CLAMP	2				
033		325675-7	SHAFT	1				
034		810578-3	CAUTION LABEL	1			D5244	
034-1		8025F9-8	CAUTION LABEL	1	<	D5244		
035-1		819760-1	DATE CODE LABEL	1			96364	
035-2		814A82-0	DATE CODE LABEL	1	X	96364	98086	
035-3		814E64-6	SERIAL NO. LABEL	1	<	98086	D5244	
035-4		801D19-4	SERIAL NO. LABEL	1	<	D5244		
036		140042-3	SHAFT PIPE COMPLETE	1				
041		125558-9	HANGER ASSEMBLY	1				
	D10		INC. 45					
045		922233-6	H.S.H.BOLT M5X20 WITH WR	1			Y06914	
045-1		922232-8	HEX. SOCKET HEAD BOLT M5X20	1	<	Y06914		
047-1		452259-9	PROTECTOR	1				
048		266326-2	TAPPING SCREW 4X18	1				
049		346074-0	CUTTER	1				
050-1		135398-7	PROTECTOR EXTENSION ASSY	1				
	D10		INC. 48,49					
051		346072-4	PROTECTOR CLAMP	1				
052		451090-0	PROTECTOR COVER	1				
053		922353-6	HEX.SOCKET HEAD BOLT M6X30	2			87170	
053-1		266579-3	HEX SOCKET HEAD BOLT M6X30	2	<	87170		
054		922218-2	H.S.H.BOLT M5X14 WITH WR	2				
055		125557-1	GEAR CASE ASSEMBLY	1			96597	
	D10		INC. 57-64,68-73				96597	
055-1		126260-7	GEAR CASE ASSEMBLY	1	O	96597	97835	
	C10	213459-4	O RING 32	1		96597	97835	
	D10		INC. 57-64,68-73			96597	97835	
055-2		126310-8	GEAR CASE ASSEMBLY	1	O	97835	C1488	
	C10	213459-4	O RING 32	1		97835	C1488	

Interchange

O : Yes

X : No

< : the new part can be substituted for the current.

> : the current part can be substituted for the new.

S : Interchangeable as a set.

MX

MEXICO

EBH341U / BRUSH CUTTER

Item	Sub	Parts No.	Parts Description	Qty	I/C	E/C No.	Close No.	Remark
	D10		INC. 57-64,68-73			97835	C1488	
055-3		123835-3	GEAR CASE ASSEMBLY	1	S	C1488		
	D10		INC. 57-64,68-73			C1488		
057		188865-1	CUTTER SHAFT SET	1			97835	
057-1		187644-4	CUTTER SHAFT SET	1	O	97835	C1488	
057-2		183K07-8	CUTTER SHAFT SET	1	O	C1488		
058		211064-1	BALL BEARING 6000	1			C1488	
058-1		210161-0	BALL BEARING 6000	1	>	C1488		
059		211062-5	BALL BEARING 6000ZZ	1			C1488	
059-1		210160-2	BALL BEARING 6000ZZ	1	>	C1488		
060		961006-2	RETAINING RING S-10	1			C1488	
060-1		257408-1	RETAINING RING(EXT) S-10	1	O	C1488		
061		962105-3	RETAINING RING R-26	1			C1488	
061-1		257988-7	RETAINING RING (INT) R-26	1	O	C1488		
062		922353-6	HEX.SOCKET HEAD BOLT M6X30	1				
063		265590-2	+HEX.BOLT M8X10 WITH R	1				
064		210081-8	BALL BEARING 629ZZ	1			C1488	
064-1		210159-7	BALL BEARING 629ZZ	1	>	C1488		
068		210116-5	BALL BEARING 6201LLU	1				
069		962151-6	RETAINING RING R-32	1			C1488	
069-1		257409-9	RETAINING RING(INT) R-32	1	O	C1488		
070		331860-2	RECEIVE WASHER	1			A2521	
070-1		332114-0	RECEIVE WASHER	1	<	A2521	C1488	
070-2		326823-1	RECEIVE WASHER	1	O	C1488		
071		346084-7	CLAMP WASHER	1			96597	
071-1		346355-2	CLAMP WASHER	1	<	96597		
072		168526-9	CUP	1				
073		264025-0	HEX. NUT M10-17	1				
074		125545-8	CONTROL LEVER ASSEMBLY	1				
	D10		INC. 75-88,233					
075-1		188657-8	LEVER CASE SET	1			A5657	
	D10		INC. 87				A5657	
075-2		183A09-4	LEVER CASE SET	1	S	A5657		
	D10		INC. 87			A5657		
076		233540-5	TORSION SPRING 11	1				
077		451084-5	THROTTLE LEVER	1				
078		233541-3	TORSION SPRING 7	1				
079		451083-7	LOCK OFF LEVER	1				
080		451213-0	CORRUGATE TUBE	1				
081		168539-0	CONTROL CABLE	1				
082		451081-1	CABLE HOLDER	1				
083		451082-9	SWITCH LEVER	1				
084		232251-9	LEAF SPRING	1				
085		451085-3	SWITCH COVER	1			A5657	
085-1		455722-1	SWITCH COVER	1	S	A5657		
086		638663-8	LEAD UNIT	1				
087-1		188657-8	LEVER CASE SET	1			A5657	
	D10		INC. 75				A5657	
087-2		183A09-4	LEVER CASE SET	1	S	A5657		
	D10		INC. 75			A5657		
088		266326-2	TAPPING SCREW 4X18	3				
089		318614-4	BLOWER HOUSING	1				
090		922223-9	H.S.H.BOLT M5X16 WITH WR	4				
093		267424-5	FLAT WASHER 8	2			95517	
093-1		253762-1	FLAT WASHER 8	2	O	95517		
094		267832-0	WAVE WASHER 10	2				
095		266571-9	SHOULDER HEX. BOLT M8X23	2				
096		168563-3	CLUTCH SHOE	2			A3643	
096-1		125757-3	CLUTCH ASSEMBLY	1	S	A3643		
	C10	AN04002000	CLUTCH SHOE	2		A3643		
	D10		INC. 97			A3643		
097		231863-5	TENSION SPRING 9	1			A3643	
097-1		AN02010000	TENSION SPRING 9	1	S	A3643	Y07092	
097-2		AN02010C00	TENSION SPRING 9	1	O	Y07092		
098		265577-4	HEX HEAD BOLT M6X16	1				

Interchange
O : Yes
X : No
< : the new part can be substituted for the current.
> : the current part can be substituted for the new.
S : Interchangeable as a set.

MX

MEXICO

EBH341U / BRUSH CUTTER

Item	Sub	Parts No.	Parts Description	Qty	I/C	E/C No.	Close No.	Remark
099		318611-0	FLYWHEEL	1			A7729	
099-1		319035-3	FLYWHEEL	1	O	A7729		
100		168501-5	IGNITION COIL	1			A7729	
100-1		168816-0	IGNITION COIL	1	S	A7729		
101		922138-0	H.S.H.BOLT M4X20 WITH WR	2				
102		324891-8	PLUG CAP SPRING	1				
103		424105-6	PLUG CAP	1				
104		638664-6	LEAD UNIT	1			A7729	
104-1		632E38-3	LEAD UNIT	1	S	A7729		
105		638665-4	LEAD UNIT	1			A7729	
105-1		632E39-1	LEAD UNIT	1	S	A7729		
106		424313-9	GROMMET	1				
107		345963-6	CLAMP	1				
108		819312-8	MAKITA LOGO LABEL	1				
109		451876-2	PLUG COVER	1			98675	
109-1		451876-2	PLUG COVER	1	O	98675		
110		266572-7	+ TRUSS HEAD SCREW M5X8	1				
111		808633-3	4STROKE INDICATION LABEL	1			98675	
112-1		911213-7	PAN HEAD SCREW M5X12	3				
113		451875-4	CYLINDER COVER	1				
114		266440-4	HEX SOCKET HEAD BOLT M5X40	2				
115		265184-3	+TRUSS HEAD SCREW M5X5	1				
116		345915-7	MUFFLER COVER	1				
117		168469-5	EXHAUST MUFFLER	1				
118		345916-5	MUFFLER GASKET	1				
119		324980-9	SPARK ARRESTER	1				
120-1		922217-4	HEX. SOCKET HEAD BOLT M5X14	4				
121		140419-2	ROCKER COVER COMPLETE	1				
122		162307-3	ROCKER COVER GASKET	1				
123		168534-0	SPARK PLUG	1				
124		162274-2	CAM GEAR COVER GASKET	1				
125		318443-5	CAM GEAR COVER	1				
126		922212-4	HEX. SOCKET HEAD BOLT M5X12	3				
127		450565-6	OIL GAUGE	1				
128		424100-6	GASKET	1				
129		282020-8	HOSE CLAMP	1				
130		424202-8	OIL TUBE	1				
131		325666-8	OIL WEIGHT	1				
132		162308-1	CASE GASKET	1				
133		318612-8	OIL CASE	1				
134-1		922217-4	HEX. SOCKET HEAD BOLT M5X14	4				
135		266573-5	HEX. SOCKET HEAD BOLT M5X33	4				
136		266570-1	HEX. SOCKET HEAD BOLT M5X16	4			90299	
136-1		922222-1	HEX. SOCKET HEAD BOLT M5X16	4	O	90299		
137		266569-6	HEX. SOCKET HEAD BOLT M4X10	1			89357	
137-1		922112-8	HEX. SOCKET HEAD BOLT M4X10	1	O	89357		
138		318440-1	RETAINER PLATE	1				
139		346083-9	LEAD VALVE	1				
140		424201-0	CHECK VALVE	2				
141		135373-3	CYLINDER BLOCK ASSEMBLY	1				
	D10		INC. 135,136,140,147					
142		125554-7	ROCKER ARM ASSEMBLY	2				
143		325912-9	SPRING RETAINER	2				
144		234181-0	COMPRESSION SPRING 11	2			Y06423	
144-1		234181-0	COMPRESSION SPRING 11	2	O	Y06423		
145		256200-2	PIN 5	1				
146		256866-8	ROD 2.5	2				
147		424200-2	SPACER	2				
148		268239-3	PIN 4	1				
149		313169-4	CAM LIFTER	2				
150		325913-7	EXHAUST VALVE	1				
151		325914-5	INTAKE VALVE	1				
152		125552-1	CAM GEAR ASSEMBLY	1				
153		268238-5	PIN 5	1				
154		195141-6	PISTON RING SET	1				

Interchange

O : Yes

X : No

< : the new part can be substituted for the current.

> : the current part can be substituted for the new.

S : Interchangeable as a set.

MX	MEXICO
-----------	---------------

EBH341U / BRUSH CUTTER

Item	Sub	Parts No.	Parts Description	Qty	I/C	E/C No.	Close No.	Remark
155		318613-6	PISTON	1			A9068	
155-1		197454-1	PISTON SET	1	<	A9068		
	C10	318613-6	PISTON	1		A9068		
	D10		INC. 154,157			A9068		
156		257796-6	PISTON PIN	1				
157		233983-1	CLIP	2				
158		254040-2	WOODRUFF KEY 3	1				
159		213537-0	OIL SEAL 12	1				
160		267425-3	FLAT WASHER 26	1				
161		125756-5	CRANKSHAFT ASSEMBLY	1			Y06245	
161-1		125756-5	CRANKSHAFT ASSEMBLY	1	O	Y06245		
162		213148-1	OIL SEAL 10	1			B2951	
162-1		213769-9	OIL SEAL 10	1	<	B2951		
163		125472-9	FUEL TANK CAP ASSEMBLY	1			C4429	
	D10		INC. 164,165				C4429	
163-1		127108-6	FUEL TANK CAP ASSEMBLY	1	O	C4429		
	D10		INC. 164,165			C4429		
164		140435-4	FUEL TANK CAP	1			C4429	
164-1		127109-4	FUEL TANK CAP ASSEMBLY	1	O	C4429		
165		140436-2	STRAP COMPLETE	1				
166		810455-9	CAUTION PLATE	1				
167		424104-8	DAMPER	1				
168		451877-0	FUEL TANK	1				
169		163447-0	FUEL FILTER	1			B3537	
169-1		163447-0	FUEL FILTER	1	O	B3537		
170		345920-4	HOSE CLAMP	1				
171		424103-0	PLATE	1				
172		424102-2	PLATE	1				
173		162309-9	TUBE	1				
174		195142-4	RECOIL STARTER SET	1			A2472	
	D10		INC. 175-180				A2472	
174-1		126475-6	STARTER COVER ASSEMBLY	1	<	A2472		
	D10		INC. 175-180			A2472		
175		165606-2	PULLEY	1			A2472	
175-1		168827-5	PULLEY	1	O	A2472		
176		266580-8	TAPPING SCREW 5X10	1				
177		451923-9	REEL	1				
178		232257-7	SPIRAL SPRING	1				
179		424317-1	STARTER KNOB	1				
180		444018-5	STARTER ROPE	1				
181		911218-7	PAN HEAD SCREW M5X14	4				
182		816448-4	EBH341U MODEL NO. LABEL	1				
183		162310-4	TANK GUARD	1				
184		911218-7	PAN HEAD SCREW M5X14	4			A1477	
184-1		266809-2	P.H.SCREW M5X14 WITH WR	4	<	A1477		
185		325915-3	INTAKE PIPE	1				
186		413120-5	INSULATOR GASKET	1				
187		213078-6	O-RING 10	1			A6234	
187-1		213063-9	O RING 10	1	<	A6234		
188		451874-6	INSULATOR	1				
190		346261-1	CARBURETOR INSULATOR	1				
191		922228-9	H.S.H.BOLT M5X18 WITH WR	2				
192		413138-6	CARBURETOR GASKET	1				
193		450562-2	CLAMP	1				
194		922213-2	H.S.H.BOLT M5X12 WITH WR	1				
195		168561-7	CARBURETOR	1			C4466	
	D10		INC. 196-211				C4466	
195-1		168561-7	CARBURETOR	1	<	C4466		
	D10		INC. 196-211			C4466		
196		325922-6	SWIVEL	1				
197		413140-9	WASHER	1				
198		257964-1	STOP RING E-3	1				
199		266581-6	PAN HEAD SCREW M3X8 WITH W	2			Y06995	
199-1		WJ00096364	SCREW M3X8 WITH WASHER	2	O	Y06995		
200		213538-8	O RING 2	1				

Interchange
O : Yes
X : No
< : the new part can be substituted for the current.
> : the current part can be substituted for the new.
S : Interchangeable as a set.

MX	MEXICO
-----------	---------------

EBH341U / BRUSH CUTTER

Item	Sub	Parts No.	Parts Description	Qty	I/C	E/C No.	Close No.	Remark
201		325921-8	JET	1			C4466	
201-1		5926007011	JET #36.5	1	<	C4466		
202		234183-6	CONICAL COMPRESSION SPRING 5-9	1				
203		442155-9	PUMP GASKET	1				
204		168575-6	PUMP DIAPHRAGM	1			Y07366	
204-1		WJ00009599	PUMP DIAPHRAGM	1	O	Y07366		
205		266582-4	TAPPING SCREW 3X24	4				
206		346270-0	PRIMER PUMP COVER	1				
207		424314-7	PRIMER PUMP	1				
208		140438-8	AIR PURGE BODY	1				
209		168574-8	METERING DIAPHRAGM	1			Y07577	
209-1		WJ00963279	SCREW	1	O	Y07577	Y07595	
209-2		WJ00095586	DIAPHRAGM ASS'Y	1	X	Y07595	C4466	
209-3		168620-7	METERING DIAPHRAGM	1	<	C4466		
210		442154-1	METERING DIAPHRAGM GASKET	1				
211		140437-0	PUMP BODY	1				
	D10		INC. 212					
212		352010-6	INLET SCREEN	1			Y07179	
212-1		WJ00014070	INLET SCREEN	1	O	Y07179		
213		345918-1	HOSE CLAMP	1				
214		422055-9	BREATHER PIPE	1				
215		422042-8	PIPE	1				
216		125468-0	CLEANER PLATE ASSEMBLY	1				
	C10	140814-6	AIR CLEANER PLATE COMPLETE	1		89444		
	D10		INC. 217-224					
217		451925-5	CHOKE LEVER	1				
218		213540-1	O RING 15	1				
219		424316-3	CHECK VALVE	1				
220		213539-6	O RING 14	1				
221		451924-7	CHECK VALVE PLATE	1				
222		424315-5	CHECK VALVE	1				
223		168577-2	SEPARATOR GASKET	1				
224		168576-4	SEPARATOR PLATE	1				
225		450560-6	CHOKE PLATE	1				
226		423376-2	GASKET	1				
227		345919-9	PLATE	1				
228		265188-5	+PAN HEAD SCREW M5X68	2				
229		443140-5	AIR CLEANER ELEMENT	1				
230		443141-3	AIR CLEANER ELEMENT	1				
231		450561-4	AIR CLEANER COVER	1				
232		911218-7	PAN HEAD SCREW M5X14	1				
233		638671-9	LEAD UNIT	1				
234		413143-3	WASHER	2		87170		
235		922353-6	HEX.SOCKET HEAD BOLT M6X30	1	S	C1488		
A01-1		122906-3	BAND ASSY	1				
	C10	140400-3	HOOK COMPLETE	1				
A02		168578-0	HOOK	1			88939	
A03		242072-1	OIL BOTTLE	1				
A04		783013-3	BOX DRIVER 16-17	1				
A05		783217-7	HEX. WRENCH 5	1			91250	
A05-1		783232-1	HEX. WRENCH 5	1	O	91250	95099	
A05-2		783217-7	HEX. WRENCH 5	1	O	95099		
A06		783223-2	HEX. WRENCH 4	1			95099	
A06-1		783202-0	HEX. WRENCH 4	1	O	95099		
A07		831304-7	ACCESSORY BAG	1				
A09		A-81658	NYLON CUTTING HEAD 6	1				
E02		819432-8	CAUTION TAG	1		86924		

Interchange
O : Yes
X : No
< : the new part can be substituted for the current.
> : the current part can be substituted for the new.
S : Interchangeable as a set.