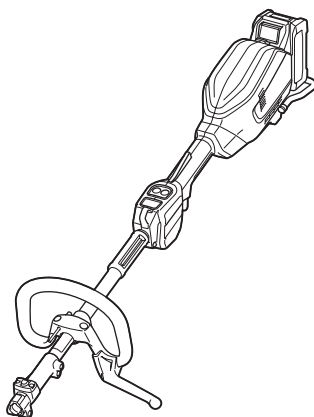


INSTRUCTION MANUAL
MANUEL D'INSTRUCTION
MANUAL DE INSTRUCCIONES



Cordless Multi Function Power Head Moteur Multi-Fonctions Sans Fil Herramienta Multifuncional Inalámbrica

UX01G



IMPORTANT: Read Before Using.

IMPORTANT : Lire avant usage.

IMPORTANTE: Lea antes de usar.

SPECIFICATIONS

Model:		UX01G
No load speed (without attachment)	Low	0 - 5,700/min
	Medium	0 - 8,200/min
	High	0 - 9,700/min
Overall length (without battery cartridge)		1,001 mm (39-1/2")
Rated voltage		D.C. 36 V - 40 V max
Net weight		5.3 kg - 11.6 kg (11.7 lbs - 25.6 lbs)
Protection degree		IPX4

- Due to our continuing program of research and development, the specifications herein are subject to change without notice.
- Specifications may differ from country to country.
- The weight may differ depending on the attachment(s), including the battery cartridge. The lightest and heaviest combination, according to EPTA-Procedure 01/2014, are shown in the table.

Applicable battery cartridge and charger

Battery cartridge	BL4025 / BL4040
Charger	DC40RA

- Some of the battery cartridges and chargers listed above may not be available depending on your region of residence.

⚠WARNING: Only use the battery cartridges and chargers listed above. Use of any other battery cartridges and chargers may cause injury and/or fire.

No load speed with attachment

Model	Rotation speed		
	Low	Medium	High
EM401MP, EM403MP, EM405MP	0 - 4,200 /min	0 - 6,000 /min	0 - 7,100 /min
EM408MP, EM409MP	0 - 4,200 /min	0 - 6,000 /min	0 - 7,100 /min
EN401MP, EN410MP, EN420MP (Strokes per minute)	0 - 2,400 /min	0 - 3,400 /min	0 - 4,000 /min
EY401MP (chain speed)	0 - 12 m/s	0 - 17 m/s	0 - 20 m/s
KR400MP	0 - 160 /min	0 - 230 /min	0 - 280 /min
KR401MP	0 - 130 /min	0 - 190 /min	0 - 230 /min
EE400MP	0 - 2,800 /min	0 - 4,000 /min	0 - 4,700 /min
EJ400MP	0 - 1,600 /min	0 - 2,300 /min	0 - 2,800 /min
BR400MP	0 - 130 /min	0 - 190 /min	0 - 230 /min
SW400MP	0 - 130 /min	0 - 190 /min	0 - 230 /min
UB400MP	0 - 5,700 /min	0 - 7,850 /min	0 - 9,100 /min

Approved attachment

Type	Model
Brushcutter attachment	EM401MP*, EM403MP
String trimmer attachment	EM405MP
Grass trimmer attachment	EM408MP*, EM409MP
Hedge trimmer attachment	EN401MP, EN410MP
Ground trimmer attachment	EN420MP
Pole saw attachment	EY401MP
Cultivator attachment	KR400MP, KR401MP
Edger attachment	EE400MP
Coffee harvester attachment	EJ400MP
Shaft extension attachment	LE400MP
Power brush attachment	BR400MP
Power sweep attachment	SW400MP
Blower attachment	UB400MP

* Not available in Canada.

Intended use

This cordless multi function power head is intended for driving an approved attachment listed in the section "SPECIFICATIONS" of this instruction manual. Never use the unit for the other purpose.

⚠ WARNING: Read the instruction manual of the attachment as well as this instruction manual before using. Failure to follow the warnings and instructions may result serious injury.

SAFETY WARNINGS

General power tool safety warnings

⚠ WARNING: Read all safety warnings, instructions, illustrations and specifications provided with this power tool. Failure to follow all instructions listed below may result in electric shock, fire and/or serious injury.

Save all warnings and instructions for future reference.

The term "power tool" in the warnings refers to your mains-operated (corded) power tool or battery-operated (cordless) power tool.

Work area safety

1. **Keep work area clean and well lit.** Cluttered or dark areas invite accidents.
2. **Do not operate power tools in explosive atmospheres, such as in the presence of flammable liquids, gases or dust.** Power tools create sparks which may ignite the dust or fumes.
3. **Keep children and bystanders away while operating a power tool.** Distractions can cause you to lose control.

Electrical Safety

1. **Power tool plugs must match the outlet. Never modify the plug in any way. Do not use any adapter plugs with earthed (grounded) power tools.** Unmodified plugs and matching outlets will reduce risk of electric shock.
2. **Avoid body contact with earthed or grounded surfaces, such as pipes, radiators, ranges and refrigerators.** There is an increased risk of electric shock if your body is earthed or grounded.
3. **Do not expose power tools to rain or wet conditions.** Water entering a power tool will increase the risk of electric shock.
4. **Do not abuse the cord. Never use the cord for carrying, pulling or unplugging the power tool. Keep cord away from heat, oil, sharp edges or moving parts.** Damaged or entangled cords increase the risk of electric shock.
5. **When operating a power tool outdoors, use an extension cord suitable for outdoor use.** Use of a cord suitable for outdoor use reduces the risk of electric shock.
6. **If operating a power tool in a damp location is unavoidable, use a ground fault circuit interrupter (GFCI) protected supply.** Use of a GFCI reduces the risk of electric shock.
7. **Power tools can produce electromagnetic fields (EMF) that are not harmful to the user.** However, users of pacemakers and other similar medical devices should contact the maker of their device and/or doctor for advice before operating this power tool.

Personal Safety

1. **Stay alert, watch what you are doing and use common sense when operating a power tool. Do not use a power tool while you are tired or under the influence of drugs, alcohol or medication.** A moment of inattention while operating power tools may result in serious personal injury.
2. **Use personal protective equipment. Always wear eye protection.** Protective equipment such as dust mask, non-skid safety shoes, hard hat, or hearing protection used for appropriate conditions will reduce personal injuries.

3. **Prevent unintentional starting. Ensure the switch is in the off-position before connecting to power source and/or battery pack, picking up or carrying the tool.** Carrying power tools with your finger on the switch or energising power tools that have the switch on invites accidents.
4. **Remove any adjusting key or wrench before turning the power tool on.** A wrench or a key left attached to a rotating part of the power tool may result in personal injury.
5. **Do not overreach. Keep proper footing and balance at all times.** This enables better control of the power tool in unexpected situations.
6. **Dress properly. Do not wear loose clothing or jewellery. Keep your hair, clothing and gloves away from moving parts.** Loose clothes, jewellery or long hair can be caught in moving parts.
7. **If devices are provided for the connection of dust extraction and collection facilities, ensure these are connected and properly used.** Use of dust collection can reduce dust-related hazards.
8. **Do not let familiarity gained from frequent use of tools allow you to become complacent and ignore tool safety principles.** A careless action can cause severe injury within a fraction of a second.
9. **Always wear protective goggles to protect your eyes from injury when using power tools. The goggles must comply with ANSI Z87.1 in the USA.**
It is an employer's responsibility to enforce the use of appropriate safety protective equipment by the tool operators and by other persons in the immediate working area.

Power tool use and care

1. **Do not force the power tool. Use the correct power tool for your application.** The correct power tool will do the job better and safer at the rate for which it was designed.
2. **Do not use the power tool if the switch does not turn it on and off.** Any power tool that cannot be controlled with the switch is dangerous and must be repaired.
3. **Disconnect the plug from the power source and/or remove the battery pack, if detachable, from the power tool before making any adjustments, changing accessories, or storing power tools.** Such preventive safety measures reduce the risk of starting the power tool accidentally.
4. **Store idle power tools out of the reach of children and do not allow persons unfamiliar with the power tool or these instructions to operate the power tool.** Power tools are dangerous in the hands of untrained users.
5. **Maintain power tools and accessories. Check for misalignment or binding of moving parts, breakage of parts and any other condition that may affect the power tool's operation. If damaged, have the power tool repaired before use.** Many accidents are caused by poorly maintained power tools.
6. **Keep cutting tools sharp and clean.** Properly maintained cutting tools with sharp cutting edges are less likely to bind and are easier to control.

7. **Use the power tool, accessories and tool bits etc. in accordance with these instructions, taking into account the working conditions and the work to be performed.** Use of the power tool for operations different from those intended could result in a hazardous situation.
8. **Keep handles and grasping surfaces dry, clean and free from oil and grease.** Slippery handles and grasping surfaces do not allow for safe handling and control of the tool in unexpected situations.
9. **When using the tool, do not wear cloth work gloves which may be entangled.** The entanglement of cloth work gloves in the moving parts may result in personal injury.

Battery tool use and care

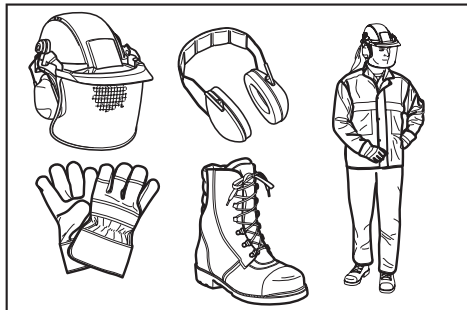
1. **Recharge only with the charger specified by the manufacturer.** A charger that is suitable for one type of battery pack may create a risk of fire when used with another battery pack.
2. **Use power tools only with specifically designated battery packs.** Use of any other battery packs may create a risk of injury and fire.
3. **When battery pack is not in use, keep it away from other metal objects, like paper clips, coins, keys, nails, screws or other small metal objects, that can make a connection from one terminal to another.** Shorting the battery terminals together may cause burns or a fire.
4. **Under abusive conditions, liquid may be ejected from the battery; avoid contact. If contact accidentally occurs, flush with water. If liquid contacts eyes, additionally seek medical help.** Liquid ejected from the battery may cause irritation or burns.
5. **Do not use a battery pack or tool that is damaged or modified.** Damaged or modified batteries may exhibit unpredictable behaviour resulting in fire, explosion or risk of injury.
6. **Do not expose a battery pack or tool to fire or excessive temperature.** Exposure to fire or temperature above 130 °C may cause explosion.
7. **Follow all charging instructions and do not charge the battery pack or tool outside the temperature range specified in the instructions.** Charging improperly or at temperatures outside the specified range may damage the battery and increase the risk of fire.

Service

1. **Have your power tool serviced by a qualified repair person using only identical replacement parts.** This will ensure that the safety of the power tool is maintained.
2. **Never service damaged battery packs.** Service of battery packs should only be performed by the manufacturer or authorized service providers.
3. **Follow instruction for lubricating and changing accessories.**
4. **Do not modify or attempt to repair the appliance or the battery pack except as indicated in the instructions for use and care.**

Additional safety instructions

Personal protective equipment



1. **Wear safety helmet, protective goggles and protective gloves to protect yourself from flying debris or falling objects.**
2. **Wear ear protection such as ear muffs to prevent hearing loss.**
3. **Wear proper clothing and shoes for safe operation, such as a work overall and sturdy, non-slip shoes. Do not wear loose clothing or jewelry. Loose clothes, jewelry or long hair can be caught in moving parts.**
4. **When touching the cutting blade, wear protective gloves.** Cutting blades can cut bare hands severely.

Work area safety

1. **Before operation, examine the work area for stones or other solid objects.** They can be thrown or cause dangerous kickback and result in serious injury and/or property damage.

Electrical and battery safety

1. **Avoid dangerous environment. Don't use the tool in damp or wet locations or expose it to rain.** Water entering the tool will increase the risk of electric shock.
 2. **Do not dispose of the battery(ies) in a fire.** The cell may explode. Check with local codes for possible disposal instructions.
 3. **Do not open or mutilate the battery(ies).** Released electrolyte is corrosive and may cause damage to the eyes or skin. It may be toxic if swallowed.
 4. **Do not charge battery in rain, or in wet locations.**
 5. **Do not replace the battery with wet hands.**
 6. **Do not replace the battery in the rain.**
 7. **Do not wet the terminal of battery with liquid such as water, or submerge the battery. Do not leave the battery in the rain, nor charge, use, or store the battery in a damp or wet place.** If the terminal gets wet or liquid enters inside of battery, the battery may be short circuited and there is a risk of overheat, fire, or explosion.
 8. **After removing the battery from the tool or charger, be sure to attach the battery cover to the battery and store it in a dry place.**
 9. **If the battery cartridge gets wet, drain the water inside and then wipe it with a dry cloth. Dry the battery cartridge completely in a dry place before use.**
- ### Putting into operation
1. **The cutting tool has to be equipped with the guard. Never run the tool with damaged guards or without guards in place!**
 2. **Make sure there are no electrical cables, water pipes, gas pipes etc. that could cause a hazard if damaged by use of the tool.**
- ### Operation
1. **Always keep your hands, face, and clothes away from the cutting tool when it is rotating.** Failure to do so may cause personal injury.
 2. **During operation, keep bystanders or animals at least 15 m away from the tool. Stop the tool as soon as someone approaches.**
 3. **During operation, never stand on an unstable or slippery surface or a steep slope. During the cold season, beware of ice and snow and always ensure secure footing.**
 4. **Never work on a ladder or tree to avoid loss of control.**
 5. **When you leave the tool, even if it is a short time, always remove the battery cartridge.** The unattended tool with the battery cartridge installed may be used by unauthorized person and cause serious accident.
 6. **Before starting the tool, be sure that the cutting tool is not touching the ground and other obstacles such as a tree.**
 7. **Check the cutting attachment frequently during operation for cracks or damages. Before the inspection, remove the battery cartridge and wait until the cutting attachment stops completely. Replace damaged cutting attachment immediately, even if it has only superficial cracks.**
 8. **Do not operate the tool in bad weather or if there is a risk of lightning.**
 9. **During operation always hold the tool with both hands. Never hold the tool with one hand during use.**
 10. **During operation, use the shoulder harness. Keep the tool on your right side firmly.**
 11. **Do not touch the gear case during and immediately after the operation.** The gear case becomes hot during operation and can cause burn injury.
 12. **Take a rest to prevent loss of control caused by fatigue.** We recommend taking a 10 to 20-minute rest every hour.
 13. **When you use the tool on muddy ground, wet slope, or slippery place, pay attention to your footing.**
 14. **Avoid working in poor environment where increased user fatigue is expected.**

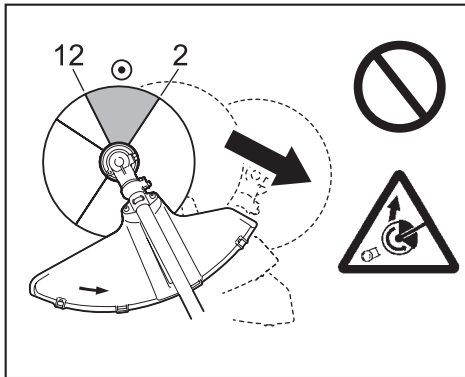
15. **Do not use the tool in bad weather where visibility is limited.** Failure to do so may cause fall or incorrect operation due to low visibility.
16. **Do not submerge the tool into a puddle.**
17. **Do not leave the tool unattended outdoors in the rain.**
18. **When wet leaves or dirt adhere to the suction mouth (ventilation window) due to rain, remove them.**
19. **Do not use the tool in the snow.**

Cutting tools

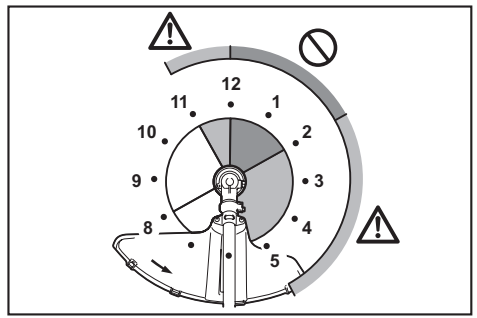
1. **When using cutting blades, avoid kickback and always prepare for an accidental kickback.** See the section for Kickback.
2. **When not in use, attach the blade cover onto the blade.** Remove the cover before operation.

Kickback (Blade thrust)

1. **Kickback (blade thrust) is a sudden reaction to a caught or bound cutting blade. Once it occurs, the tool is thrown sideway or toward the operator at great force and it may cause serious injury.**
2. **Kickback occurs particularly when applying the blade segment between 12 and 2 o'clock to solids, bushes and trees with 3 cm or larger diameter.**



3. **To avoid kickback:**
 1. **Apply the segment between 8 and 11 o'clock.**
 2. **Never apply the segment between 12 and 2 o'clock.**
 3. **Never apply the segment between 11 and 12 o'clock and between 2 and 5 o'clock, unless the operator is well trained and experienced and does it at his/her own risk.**
 4. **Never use cutting blades close to solids, such as fences, walls, tree trunks and stones.**
 5. **Never use cutting blades vertically, for such operations as edging and trimming hedges.**



Vibration

1. **People with poor circulation who are exposed to excessive vibration may experience injury to blood vessels or the nervous system.** Vibration may cause the following symptoms to occur in the fingers, hands or wrists: "Falling asleep" (numbness), tingling, pain, stabbing sensation, alteration of skin color or of the skin. If any of these symptoms occur, see a physician!
2. **To reduce the risk of "white finger disease", keep your hands warm during operation and well maintain the tool and accessories.**

Transport

1. **Before transporting the tool, turn it off and remove the battery cartridge. Attach the cover to the cutting blade.**

Maintenance

1. **Before doing any maintenance or repair work or cleaning the tool, always turn it off and remove the battery cartridge.**
2. **When handling a cutter blade, always wear gloves and put the blade cover on the blade.**
3. **Keep handles dry, clean and free from oil and grease. Keep all cooling air inlets clear of debris.**
4. **Do not wash the tool with high pressure water.**
5. **When washing the tool, do not let water enter the electrical mechanism such as battery, motor, and terminals.**
6. **Perform inspection or maintenance in a place where rain can be avoided.**
7. **After using the tool, remove the adhered dirt and dry the tool completely before storing.** Depending on the season or the area, there is a risk of malfunction due to freezing.

Storage

1. **Before storing the tool, perform full cleaning and maintenance. Remove the battery cartridge. Attach the cover to the cutting blade.**
2. **Store the tool in a dry and high or locked location out of reach of children.**
3. **When storing the tool, avoid direct sunlight and rain, and store it in a place where it does not get hot or humid.**

Symbols

The followings show the symbols used for tool.

V	volts
—	direct current

Important safety instructions for battery cartridge

1. Before using battery cartridge, read all instructions and cautionary markings on (1) battery charger, (2) battery, and (3) product using battery.
2. Do not disassemble or tamper the battery cartridge. It may result in a fire, excessive heat, or explosion.
3. If operating time has become excessively shorter, stop operating immediately. It may result in a risk of overheating, possible burns and even an explosion.
4. If electrolyte gets into your eyes, rinse them out with clear water and seek medical attention right away. It may result in loss of your eyesight.

5. Do not short the battery cartridge:

- (1) Do not touch the terminals with any conductive material.
- (2) Avoid storing battery cartridge in a container with other metal objects such as nails, coins, etc.
- (3) Do not expose battery cartridge to water or rain.

A battery short can cause a large current flow, overheating, possible burns and even a breakdown.

6. Do not store and use the tool and battery cartridge in locations where the temperature may reach or exceed 50 °C (122 °F).
7. Do not incinerate the battery cartridge even if it is severely damaged or is completely worn out. The battery cartridge can explode in a fire.
8. Do not nail, cut, crush, throw, drop the battery cartridge, or hit against a hard object to the battery cartridge. Such conduct may result in a fire, excessive heat, or explosion.
9. Do not use a damaged battery.
10. The contained lithium-ion batteries are subject to the Dangerous Goods Legislation requirements.

For commercial transports e.g. by third parties, forwarding agents, special requirement on packaging and labeling must be observed.

For preparation of the item being shipped, consulting an expert for hazardous material is required. Please also observe possibly more detailed national regulations.

Tape or mask off open contacts and pack up the battery in such a manner that it cannot move around in the packaging.

11. When disposing the battery cartridge, remove it from the tool and dispose of it in a safe place. Follow your local regulations relating to disposal of battery.
12. Use the batteries only with the products specified by Makita. Installing the batteries to non-compliant products may result in a fire, excessive heat, explosion, or leak of electrolyte.
13. If the tool is not used for a long period of time, the battery must be removed from the tool.
14. During and after use, the battery cartridge may take on heat which can cause burns or low temperature burns. Pay attention to the handling of hot battery cartridges.
15. Do not touch the terminal of the tool immediately after use as it may get hot enough to cause burns.
16. Do not allow chips, dust, or soil stuck into the terminals, holes, and grooves of the battery cartridge. It may result in poor performance or breakdown of the tool or battery cartridge.
17. Unless the tool supports the use near high-voltage electrical power lines, do not use the battery cartridge near a high-voltage electrical power lines. It may result in a malfunction or breakdown of the tool or battery cartridge.
18. Keep the battery away from children.

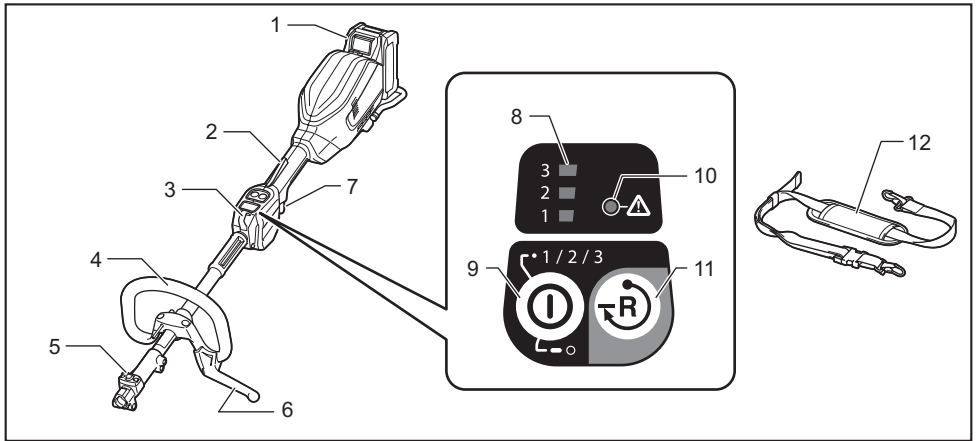
SAVE THESE INSTRUCTIONS.

⚠ CAUTION: Only use genuine Makita batteries. Use of non-genuine Makita batteries, or batteries that have been altered, may result in the battery bursting causing fires, personal injury and damage. It will also void the Makita warranty for the Makita tool and charger.

Tips for maintaining maximum battery life

1. Charge the battery cartridge before completely discharged. Always stop tool operation and charge the battery cartridge when you notice less tool power.
2. Never recharge a fully charged battery cartridge. Overcharging shortens the battery service life.
3. Charge the battery cartridge with room temperature at 10 °C - 40 °C (50 °F - 104 °F). Let a hot battery cartridge cool down before charging it.
4. When not using the battery cartridge, remove it from the tool or the charger.
5. Charge the battery cartridge if you do not use it for a long period (more than six months).

PARTS DESCRIPTION



1	Battery cartridge	2	Lock-off lever	3	Hanger	4	Handle
5	Release button	6	Barrier	7	Switch trigger	8	Speed indicator
9	Main power button	10	Caution lamp	11	Reverse button	12	Shoulder harness

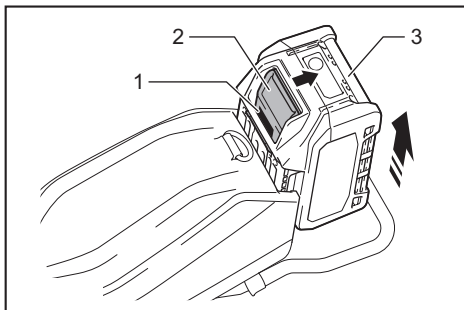
FUNCTIONAL DESCRIPTION

⚠ WARNING: Always be sure that the tool is switched off and the battery cartridge is removed before adjusting or checking function on the tool. Failure to switch off and remove the battery cartridge may result in serious personal injury from accidental start-up.

Installing or removing battery cartridge

⚠ CAUTION: Always switch off the tool before installing or removing of the battery cartridge.

⚠ CAUTION: Hold the tool and the battery cartridge firmly when installing or removing battery cartridge. Failure to hold the tool and the battery cartridge firmly may cause them to slip off your hands and result in damage to the tool and battery cartridge and a personal injury.



► 1. Red indicator 2. Button 3. Battery cartridge

To remove the battery cartridge, slide it from the tool while sliding the button on the front of the cartridge.

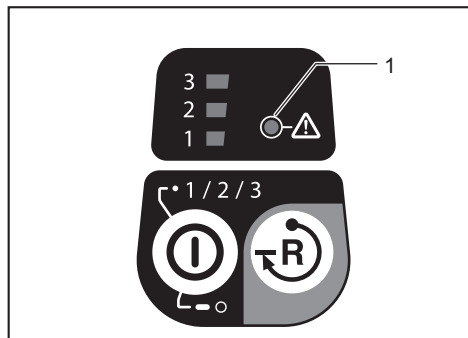
To install the battery cartridge, align the tongue on the battery cartridge with the groove in the housing and slip it into place. Insert it all the way until it locks in place with a little click. If you can see the red indicator on the upper side of the button, it is not locked completely.

⚠ CAUTION: Always install the battery cartridge fully until the red indicator cannot be seen. If not, it may accidentally fall out of the tool, causing injury to you or someone around you.

⚠ CAUTION: Do not install the battery cartridge forcibly. If the cartridge does not slide in easily, it is not being inserted correctly.

Tool / battery protection system

The tool is equipped with a tool/battery protection system. This system automatically cuts off power to the motor to extend tool and battery life. The tool will automatically stop during operation if the tool is placed under one of the following conditions:



► 1. Caution lamp

Caution lamp		Status
Color	● On ● Blinking	
Green	●	Overload
Red	● (tool) / ● (battery)	Overheat
Red	●	Over discharge

Overload protection

If the tool or battery gets into one of the following situations, the tool automatically stops and the caution lamp starts blinking in green:

- The tool is overloaded by entangled weeds or other debris.
- The cutting tool is locked or kicked back.
- The main power button is turned on while the switch trigger is being pulled.

In this situation, release the switch trigger and remove entangled weeds or debris if necessary. After that, pull the switch trigger again to resume.

⚠ CAUTION: If you need to remove the entangled weeds on the tool or release the locked cutting tool, be sure to turn the tool off before you start.

Overheat protection for tool or battery

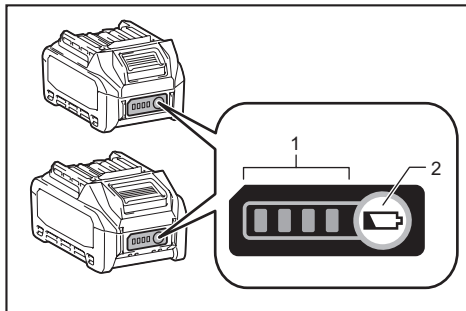
If the tool or battery cartridge is overheated, the tool stops automatically. When the tool is overheated, the caution lamp lights up in red. When the battery cartridge is overheated, the caution lamp blinks in red. Let the tool and/or battery cool down before turning the tool on again.

Overdischarge protection

When the battery capacity becomes low, the tool stops automatically and the caution lamp starts blinking in red. If the tool does not operate even when the switches are operated, remove the battery cartridge from the tool and charge it.

Indicating the remaining battery capacity

Press the check button on the battery cartridge to indicate the remaining battery capacity. The indicator lamps light up for a few seconds.



► 1. Indicator lamps 2. Check button

Indicator lamps			Remaining capacity
Lighted	Off	Blinking	
■ ■ ■ ■			75% to 100%
■ ■ ■ □			50% to 75%
■ ■ □ □			25% to 50%
■ □ □ □			0% to 25%
▣ □ □ □			Charge the battery.
■ ■ □ □			The battery may have malfunctioned.
□ □ ■ ■	↑ ↓		

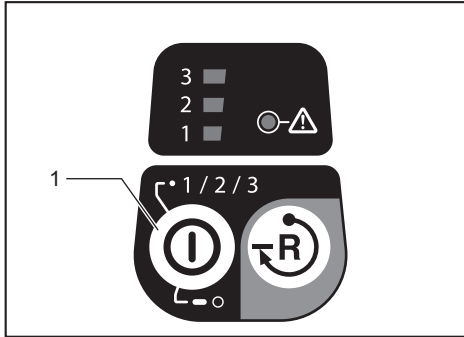
NOTE: Depending on the conditions of use and the ambient temperature, the indication may differ slightly from the actual capacity.

NOTE: The first (far left) indicator lamp will blink when the battery protection system works.

Main power switch

⚠ WARNING: Always turn off the main power switch when not in use.

Press the main power button to turn on the tool. To turn off the tool, press and hold the main power button until the speed indicators go off.



► 1. Main power button

NOTE: The caution lamp blinks if the switch trigger is pulled under unoperable conditions. The caution lamp blinks if you turn on the main power switch while holding down the lock-off lever and the switch trigger.

NOTE: This tool employs the auto power-off function. To avoid unintentional start up, the main power switch will automatically shut down when the switch trigger is not pulled for a certain period after the main power switch is turned on.

Switch action

⚠ WARNING: For your safety, this tool is equipped with lock-off lever which prevents the tool from unintended starting. **NEVER** use the tool if it runs when you simply pull the switch trigger without pressing the lock-off lever. Return the tool to our authorized service center for proper repairs **BEFORE** further usage.

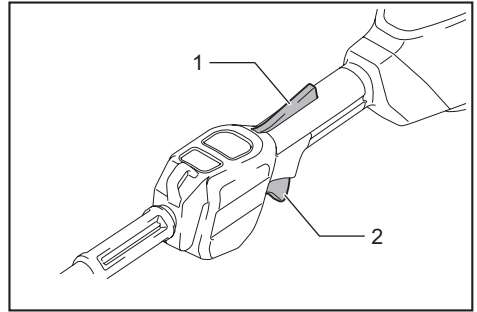
⚠ WARNING: **NEVER** tape down or defeat purpose and function of lock-off lever.

⚠ CAUTION: Before installing the battery cartridge into the tool, always check to see that the switch trigger actuates properly and returns to the "OFF" position when released.

⚠ CAUTION: Never put your finger on the main power button and switch trigger when carrying the tool. The tool may start unintentionally and cause injury.

NOTICE: Do not pull the switch trigger hard without pressing the lock-off lever. This can cause switch breakage.

To prevent the switch trigger from being accidentally pulled, a lock-off lever is provided.

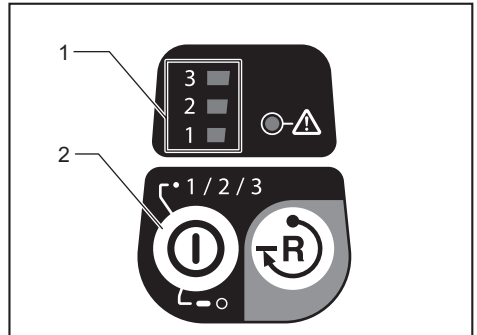


► 1. Lock-off lever 2. Switch trigger







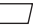


To start the tool, turn on the main power switch and grasp the handle (the lock-off lever is released by the grasp) and then pull the switch trigger. Tool speed is increased by increasing the pressure on the switch trigger. To stop the tool, release the switch trigger.

Speed adjusting

You can select the tool speed by tapping the main power button. Each time you tap the main power button, the level of speed will change.



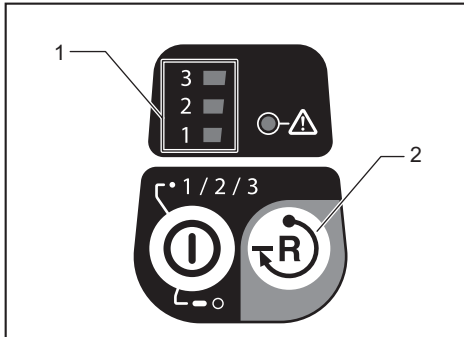
► 1. Speed indicator 2. Main power button

Speed indicator	Mode
3  2  1 	High
3  2  1 	Medium
3  2  1 	Low

Reverse button for debris removal

⚠ WARNING: Switch off the tool and remove the battery cartridge before you remove entangled weeds or debris which the reverse rotation function can not remove. Failure to switch off and remove the battery cartridge may result in serious personal injury from accidental start-up.

This tool has a reverse button to change the direction of rotation. It is only for removing weeds and debris entangled in the tool. To reverse the rotation, tap the reverse button and pull the switch trigger while depressing the lock-off lever when the cutting tool is stopped. The speed indicators start blinking, and the cutting tool rotates in reverse direction when you pull the switch trigger. To return to regular rotation, release the trigger and wait until the cutting tool stops.



► 1. Speed indicator 2. Reverse button

NOTE: During the reverse rotation, the tool operates only for a short period of time and then automatically stops.

NOTE: Once the tool is stopped, the rotation returns to regular direction when you start the tool again.

NOTE: If you tap the reverse button while the cutting tool is still rotating, the tool comes to stop and to be ready for reverse rotation.

Electronic torque control function

The tool electronically detects a sudden drop in the rotation speed which may cause a kickback. In this situation, the tool automatically stops to prevent further rotation of cutting tool. To restart the tool, release the switch trigger. Clear the cause of sudden drop in the rotation speed and then turn the tool on.

NOTE: This function is not a preventive measure for kickbacks.

Electric brake

This tool is equipped with an electric brake. If the tool consistently fails to quickly stop after the switch trigger is released, have the tool serviced at our service center.

⚠ CAUTION: This brake system is not a substitute for the protector. Never use the tool without the protector. An unguarded cutting tool may result in serious personal injury.

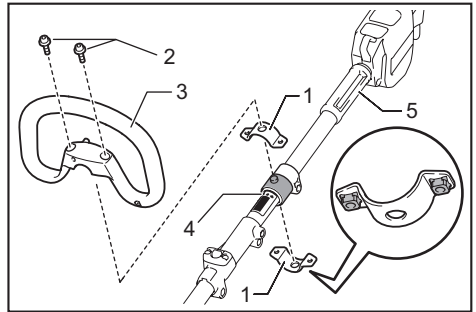
ASSEMBLY

⚠ WARNING: Always be sure that the tool is switched off and battery cartridge is removed before carrying out any work on the tool. Failure to switch off and remove the battery cartridge may result in serious personal injury from accidental start-up.

⚠ WARNING: Never start the tool unless it is completely assembled. Operation of the tool in a partially assembled state may result in serious personal injury from accidental start-up.

Mounting the handle

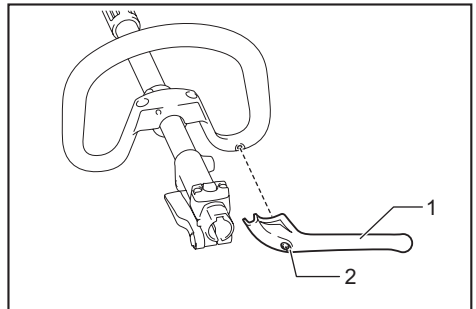
Attach the handle with supplied clamps and bolts. Make sure that the handle is located between the spacer and the arrow mark. Do not remove or shrink the spacer.



► 1. Clamp 2. Hex socket bolt 3. Handle 4. Arrow mark 5. Spacer

When using the following attachments, be sure to attach the barrier to the handle using the screw on the barrier.

- Brushcutter attachment *
 - Grass trimmer attachment *
 - Edger attachment
- *. Only when metal blade is attached.



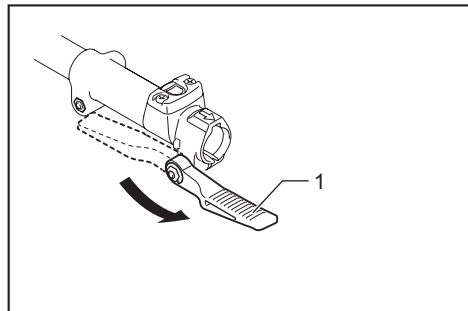
► 1. Barrier 2. Screw

Mounting the attachment pipe

CAUTION: Always check that the attachment pipe is secured after installation. Improper installation may cause the attachment falling off from the power unit and cause personal injury.

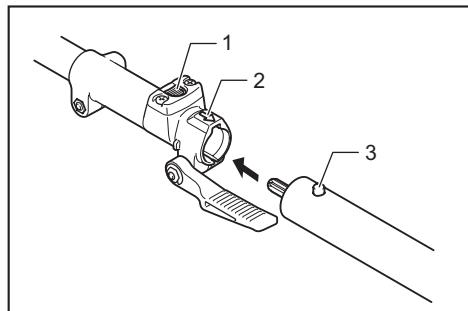
Mount the attachment pipe to the power unit.

1. Turn the lever of the power unit toward the attachment side.



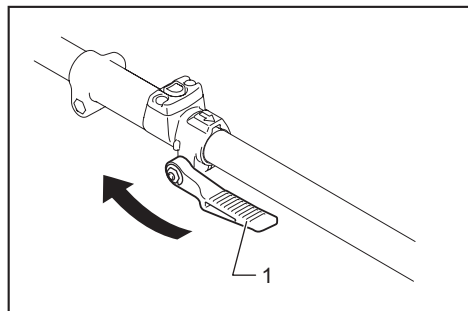
- 1. Lever

2. Remove the cap of the attachment. Align the pin with the arrow mark and insert the attachment pipe until the release button pops up.



- 1. Release button 2. Arrow mark 3. Pin

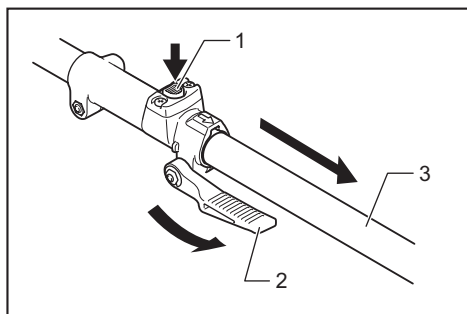
3. Turn the lever toward the power unit side.



- 1. Lever

Make sure that the surface of the lever is parallel to the pipe.

To remove the pipe, turn the lever toward the attachment side and pull the pipe out while pressing down the release button.

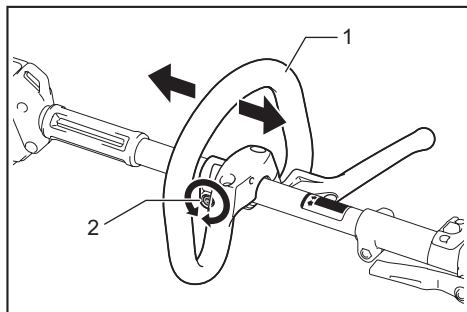


- 1. Release button 2. Lever 3. Pipe

Adjusting the handle position

Adjust the handle position to obtain comfortable handling of the tool.

Loosen the hex socket head bolt on the handle. Move the handle to a comfortable working position and then tighten the bolt.



- 1. Handle 2. Hex socket head bolt

Attaching the shoulder harness

WARNING: Be extremely careful to maintain control of the tool at all times. Do not allow the tool to be deflected toward you or anyone in the work vicinity. Failure to keep control of the tool could result in serious injury to the bystander and the operator.

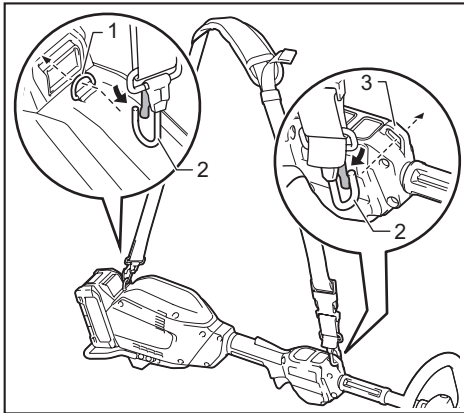
CAUTION: When you use the tool in combination of the backpack-type power supply such as portable power pack, do not use the shoulder harness included in the tool package, but use the hanging band recommended by Makita.

If you put on the shoulder harness included in the tool package and the shoulder harness of the backpack-type power supply at the same time, removing the tool or backpack-type power supply is difficult in case of an emergency, and it may cause an accident or injury. For the recommended hanging band, ask Makita Authorized Service Centers.

CAUTION: Always use the shoulder harness attached to the tool. Before operation, adjust the shoulder harness according to the user size to prevent fatigue.

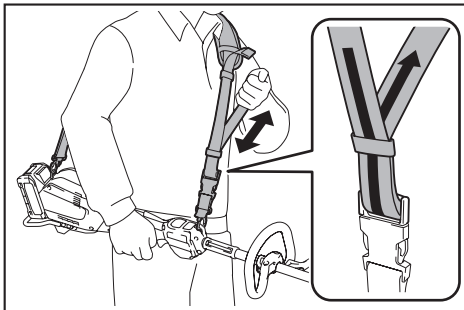
CAUTION: Before operation, make sure that the shoulder harness is properly attached to the tool.

1. Clasp the hook on the shoulder harness to tool's ring and hanger.

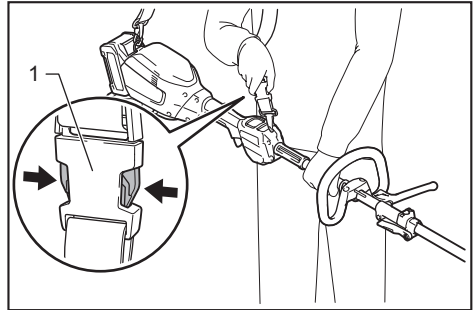


- 1. Ring 2. Hook 3. Hanger

2. Put on the shoulder harness on your left shoulder. Adjust the shoulder harness to a comfortable working position.



The shoulder harness features a means of quick release. Simply squeeze the sides of the buckle to release the tool from the shoulder harness.

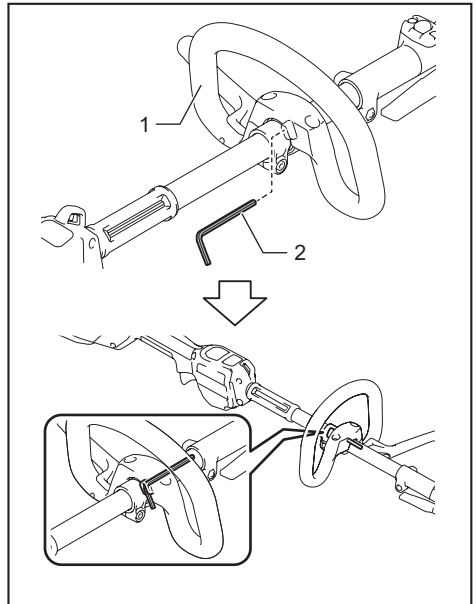


- 1. Buckle

Hex wrench storage

CAUTION: Be careful not to leave the hex wrench inserted in the tool head. It may cause injury and/or damage to the tool.

When not in use, store the hex wrench as illustrated to keep it from being lost.



- 1. Handle 2. Hex wrench

MAINTENANCE

⚠ WARNING: Always be sure that the tool is switched off and battery cartridge is removed before attempting to perform inspection or maintenance on the tool. Failure to switch off and remove the battery cartridge may result in serious personal injury from accidental start-up.

NOTICE: Never use gasoline, benzene, thinner, alcohol or the like. Discoloration, deformation or cracks may result.

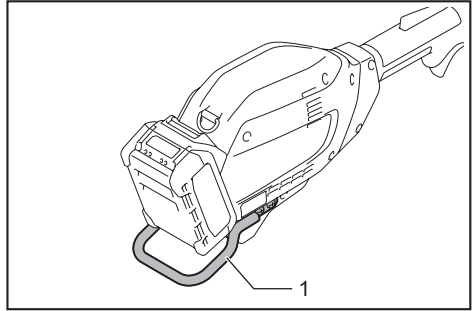
To maintain product SAFETY and RELIABILITY, repairs, any other maintenance or adjustment should be performed by Makita Authorized or Factory Service Centers, always using Makita replacement parts.

Cleaning the tool

Clean the tool by wiping off dust, dirt, or cut off grass with a dry cloth or one dipped in soapy water and wrung out. To avoid overheating of the tool, be sure to remove the cut off grass or debris adhered to the vent of the tool.

Battery guard

⚠ WARNING: Do not remove the battery guard. Do not use the tool with the battery guard removed or damaged. Direct impact to the battery cartridge may cause battery malfunction and result in injury and/or fire. If the battery guard is deformed or damaged, contact your authorized service center for repairs.



► 1. Battery guard

TROUBLESHOOTING

Before asking for repairs, conduct your own inspection first. If you find a problem that is not explained in the manual, do not attempt to dismantle the tool. Instead, ask Makita Authorized Service Centers, always using Makita replacement parts for repairs.

State of abnormality	Probable cause (malfunction)	Remedy
Motor does not run.	Battery cartridge is not installed.	Install the battery cartridge.
	Battery problem (under voltage)	Recharge the battery. If recharging is not effective, replace battery.
	The drive system does not work correctly.	Ask your local authorized service center for repair.
Motor stops running after a little use.	Rotation is in reverse.	Change the direction of rotation with the reversing switch.
	Battery's charge level is low.	Recharge the battery. If recharging is not effective, replace battery.
	Overheating.	Stop using of tool to allow it to cool down.
It does not reach maximum RPM.	Battery is installed improperly.	Install the battery cartridge as described in this manual.
	Battery power is dropping.	Recharge the battery. If recharging is not effective, replace battery.
	The drive system does not work correctly.	Ask your local authorized service center for repair.

OPTIONAL ACCESSORIES

⚠ CAUTION: These accessories or attachments are recommended for use with your Makita tool specified in this manual. The use of any other accessories or attachments might present a risk of injury to persons. Only use accessory or attachment for its stated purpose.

If you need any assistance for more details regarding these accessories, ask your local Makita Service Center.

Refer to "Approved attachment" section for the applicable models for this tool.

- Brushcutter attachment
- String trimmer attachment
- Grass trimmer attachment
- Hedge trimmer attachment
- Ground trimmer attachment
- Pole saw attachment
- Cultivator attachment
- Edger attachment
- Coffee harvester attachment
- Shaft extension attachment
- Power brush attachment
- Power sweep attachment
- Blower attachment
- Makita genuine battery and charger

NOTE: Some items in the list may be included in the tool package as standard accessories. They may differ from country to country.

MAKITA LIMITED WARRANTY

Please refer to the annexed warranty sheet for the most current warranty terms applicable to this product. If annexed warranty sheet is not available, refer to the warranty details set forth at below website for your respective country.

United States of America: www.makitatools.com

Canada: www.makita.ca

Other countries: www.makita.com

SPÉCIFICATIONS

Modèle :		UX01G
Vitesse à vide (sans fixation)	Vitesse basse	0 - 5 700/min
	Vitesse moyenne	0 - 8 200/min
	Vitesse élevée	0 - 9 700/min
Longueur hors-tout (sans batterie)		1 001 mm (39-1/2")
Tension nominale		C.C. 36 V - 40 V max.
Poids net		5,3 kg - 11,6 kg (11,7 lbs - 25,6 lbs)
Degré de protection		IPX4

- Étant donné l'évolution constante de notre programme de recherche et développement, les spécifications contenues dans ce manuel sont sujettes à modification sans préavis.
- Les spécifications peuvent varier suivant les pays.
- Le poids peut varier selon les accessoires, y compris la batterie. La plus légère et la plus lourde combinaisons, selon la procédure EPTA 01/2014, sont indiquées dans le tableau.

Batteries et chargeurs applicables

Batterie	BL4025 / BL4040
Chargeur	DC40RA

- Suivant la région où vous habitez, il se peut que certaines des batteries et certains des chargeurs énumérés ci-dessus ne soient pas disponibles.

⚠ MISE EN GARDE : Utilisez exclusivement les batteries et chargeurs énumérés ci-dessus. L'utilisation de toute autre batterie ou tout autre chargeur peut entraîner une blessure et/ou un incendie.

Vitesse à vide avec fixation

Modèle	Vitesse de rotation		
	Vitesse basse	Vitesse moyenne	Vitesse élevée
EM401MP, EM403MP, EM405MP	0 - 4 200 /min	0 - 6 000 /min	0 - 7 100 /min
EM408MP, EM409MP	0 - 4 200 /min	0 - 6 000 /min	0 - 7 100 /min
EN401MP, EN410MP, EN420MP (Courses par minute)	0 - 2 400 /min	0 - 3 400 /min	0 - 4 000 /min
EY401MP (vitesse de la chaîne)	0 - 12 m/s	0 - 17 m/s	0 - 20 m/s
KR400MP	0 - 160 /min	0 - 230 /min	0 - 280 /min
KR401MP	0 - 130 /min	0 - 190 /min	0 - 230 /min
EE400MP	0 - 2 800 /min	0 - 4 000 /min	0 - 4 700 /min
EJ400MP	0 - 1 600 /min	0 - 2 300 /min	0 - 2 800 /min
BR400MP	0 - 130 /min	0 - 190 /min	0 - 230 /min
SW400MP	0 - 130 /min	0 - 190 /min	0 - 230 /min
UB400MP	0 - 5 700 /min	0 - 7 850 /min	0 - 9 100 /min

Fixation approuvée

Type	Modèle
Tête débroussaileuse	EM401MP*, EM403MP
Tête coupe herbe	EM405MP
Tête débroussaileuse	EM408MP*, EM409MP
Tête taille-haie à perche	EN401MP, EN410MP
Tête faucheuse	EN420MP
Tête élagueuse à perche	EY401MP
Tête moto-bineuse	KR400MP, KR401MP
Tête dresse-bordures	EE400MP
Tête peigne vibreur pour café	EJ400MP
Rallonge d'arbre	LE400MP
Outil Balai Brosse	BR400MP
Outil Balai Racléur	SW400MP
Accessoire de souffleur	UB400MP

* Non disponible au Canada.

Utilisation prévue

Ce moteur multi-fonctions sans fil est conçu pour l'entraînement des fixations approuvées énumérées dans la section « SPÉCIFICATIONS » de ce manuel d'instructions. N'utilisez jamais cet appareil à d'autres fins.

⚠ MISE EN GARDE : Avant l'utilisation, veuillez lire le manuel d'instructions de la fixation, ainsi que le présent manuel d'instructions. L'ignorance des mises en garde et des instructions comporte un risque de grave blessure.

CONSIGNES DE SÉCURITÉ

Consignes de sécurité générales pour outils électriques

⚠ MISE EN GARDE : Lisez toutes les mises en garde, instructions, illustrations et spécifications qui accompagnent cet outil électrique. Il y a un risque de décharge électrique, d'incendie et/ou de blessure grave si les instructions ci-dessous ne sont pas toutes respectées.

Conservez toutes les mises en garde et instructions pour référence future.

Le terme « outil électrique » qui figure dans les avertissements fait référence à un outil électrique branché sur une prise de courant (par un cordon d'alimentation) ou alimenté par batterie (sans fil).

Sécurité de la zone de travail

1. **Maintenez la zone de travail propre et bien éclairée.** Les zones de travail encombrées ou sombres ouvrent grande la porte aux accidents.
2. **N'utilisez pas les outils électriques dans les atmosphères explosives, par exemple en présence de liquides, gaz ou poussières inflammables.** Les outils électriques produisent des étincelles au contact desquelles la poussière ou les vapeurs peuvent s'enflammer.
3. **Assurez-vous qu'aucun enfant ou curieux ne s'approche pendant que vous utilisez un outil électrique.** Vous risquez de perdre la maîtrise de l'outil si votre attention est détournée.

Sécurité en matière d'électricité

1. **Les fiches d'outil électrique sont conçues pour s'adapter parfaitement aux prises de courant. Ne modifiez jamais la fiche de quelque façon que ce soit. N'utilisez aucun adaptateur de fiche sur les outils électriques avec mise à la terre.** En ne modifiant pas les fiches et en les insérant dans des prises de courant pour lesquelles elles ont été conçues, vous réduirez les risques de choc électrique.
2. **Évitez tout contact corporel avec les surfaces mises à la terre, telles que tuyaux, radiateurs, cuisinières et réfrigérateurs.** Le risque de choc électrique est plus élevé si votre corps se trouve mis à la terre.
3. **N'exposez pas les outils électriques à la pluie ou à l'eau.** La présence d'eau dans un outil électrique augmente le risque de choc électrique.
4. **Ne maltraitez pas le cordon. N'utilisez jamais le cordon pour transporter, tirer ou débrancher l'outil électrique. Maintenez le cordon à l'écart des sources de chaleur, de l'huile, des objets à bords tranchants et des pièces en mouvement.** Le risque de choc électrique est plus élevé lorsque les cordons sont endommagés ou chevêtrés.
5. **Lorsque vous utilisez un outil électrique à l'extérieur, utilisez un cordon prolongateur conçu pour l'usage extérieur.** Le risque de choc électrique est moindre lorsqu'un cordon conçu pour l'usage extérieur est utilisé.

6. **Si vous devez utiliser un outil électrique dans un endroit humide, utilisez une source d'alimentation protégée par un disjoncteur de fuite à la terre.** L'utilisation d'un disjoncteur de fuite à la terre réduit le risque de choc électrique.
7. **Les outils électriques peuvent produire des champs électromagnétiques (CEM) qui ne sont pas préjudiciables à l'utilisateur.** Les utilisateurs de stimulateur cardiaque ou autres appareils médicaux similaires doivent toutefois demander conseil au fabricant et/ou à leur médecin avant d'utiliser cet outil électrique.
9. **Portez toujours des lunettes à coques de protection pour protéger vos yeux contre les blessures lors de l'utilisation d'outils électriques. Les lunettes à coques doivent être conformes à ANSI Z87.1 aux États-Unis.** L'employeur a la responsabilité d'imposer l'utilisation d'équipements de protection de sécurité adéquats aux utilisateurs des outils électriques et à toute autre personne se trouvant dans la zone de travail immédiate.

Sécurité personnelle

1. **Restez alerte, attentif à vos mouvements et faites preuve de bon sens lorsque vous utilisez un outil électrique. N'utilisez pas les outils électriques si vous êtes fatigué ou avez pris une drogue, de l'alcool ou un médicament.** Un moment d'inattention pendant l'utilisation d'un outil électrique peut entraîner une grave blessure.
 2. **Portez des dispositifs de protection personnelle. Portez toujours une protection oculaire.** Les risques de blessure seront moins élevés si vous utilisez des dispositifs de protection tels qu'un masque anti-poussière, des chaussures à semelle antidérapante, une coiffure résistante ou une protection d'oreilles.
 3. **Évitez les démarrages accidentels. Assurez-vous que l'interrupteur est en position d'arrêt avant de brancher l'outil à la prise de courant et/ou au bloc-piles, et avant de prendre ou de transporter l'outil.** Vous ouvrez la porte aux accidents si vous transportez les outils électriques avec le doigt sur l'interrupteur ou si vous les branchez alors que l'interrupteur est en position de marche.
 4. **Retirez toute clé de réglage ou de serrage avant de mettre l'outil électrique sous tension.** Toute clé laissée en place sur une pièce rotative de l'outil électrique peut entraîner une blessure.
 5. **Ne vous étirez pas exagérément. Assurez-vous d'une bonne prise au sol et d'un bon équilibre en tout temps.** Cela vous permettra d'avoir une meilleure maîtrise de l'outil électrique dans les situations imprévues.
 6. **Portez des vêtements adéquats. Ne portez ni vêtements amples ni bijoux. Gardez vos cheveux, vêtements et gants à l'écart des pièces en mouvement.** Les vêtements amples, bijoux ou cheveux longs peuvent être happés par les pièces en mouvement.
 7. **Si des accessoires sont fournis pour raccorder un appareil d'aspiration et de collecte de la poussière, assurez-vous qu'ils sont correctement raccordés et qu'ils sont utilisés de manière adéquate.** L'utilisation d'un appareil de collecte permet de réduire les risques liés à la présence de poussière dans l'air.
 8. **Évitez d'être complaisant et d'ignorer les principes de sécurité de l'outil en raison de la familiarité acquise par un usage fréquent des outils.** Un geste imprudent peut entraîner une grave blessure en une fraction de seconde.
- #### Utilisation et entretien des outils électriques
1. **Ne forcez pas l'outil électrique. Utilisez l'outil électrique adéquat suivant le type de travail à effectuer.** Si vous utilisez l'outil électrique adéquat et respectez le régime pour lequel il a été conçu, il effectuera un travail de meilleure qualité et plus sécuritaire.
 2. **N'utilisez pas l'outil électrique s'il n'est pas possible de l'allumer et de l'éteindre avec son interrupteur.** Un outil électrique dont l'interrupteur est défectueux représente un danger et doit être réparé.
 3. **Avant d'effectuer tout réglage, de remplacer un accessoire ou de ranger l'outil électrique, débranchez la fiche de la source d'alimentation et/ou retirez la batterie de l'outil électrique si elle est amovible.** Ces mesures préventives de sécurité réduisent les risques de démarrage accidentel de l'outil électrique.
 4. **Après l'utilisation d'un outil électrique, rangez-le hors de portée des enfants et ne laissez aucune personne l'utiliser si elle n'est pas familiarisée avec l'outil électrique ou les présentes instructions d'utilisation.** Les outils électriques représentent un danger entre les mains de personnes qui n'en connaissent pas le mode d'utilisation.
 5. **Effectuez l'entretien des outils électriques et des accessoires. Assurez-vous que les pièces mobiles ne sont pas désalignées ou coincées, qu'aucune pièce n'est cassée et que l'outil électrique n'a subi aucun dommage affectant son bon fonctionnement. Le cas échéant, faites réparer l'outil électrique avant de l'utiliser.** De nombreux accidents sont causés par des outils électriques mal entretenus.
 6. **Maintenez les outils tranchants bien aiguisés et propres.** Un outil tranchant dont l'entretien est effectué correctement et dont les bords sont bien aiguisés risquera moins de se coincer et sera plus facile à maîtriser.
 7. **Utilisez l'outil électrique, ses accessoires, ses embouts, etc., en respectant les présentes instructions, en tenant compte des conditions de travail et du type de travail à effectuer.** L'utilisation d'un outil électrique pour d'autres usages que ceux prévus peut entraîner une situation dangereuse.
 8. **Gardez les poignées et surfaces de saisie sèches, propres et exemptes d'huile et de graisse.** Les poignées et surfaces de saisie glissantes ne permettent pas une manipulation sûre et une bonne maîtrise de l'outil dans les situations inattendues.

9. Lors de l'utilisation de l'outil, ne portez pas de gants de travail en tissu qui risquent de s'enchevêtrer dans l'outil. L'enchevêtrement de gants de travail en tissu dans les pièces en mouvement peut entraîner une blessure.

Utilisation et entretien des outils alimentés par batterie

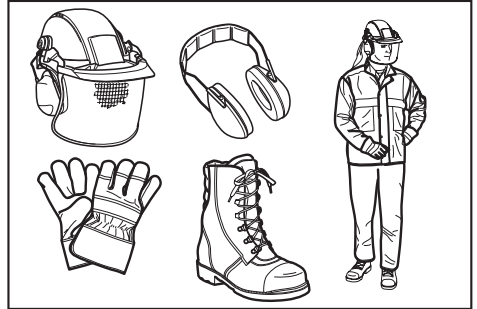
1. **Pour recharger, utilisez uniquement le chargeur spécifié par le fabricant.** L'utilisation d'un chargeur conçu pour un type donné de bloc-piles comporte un risque d'incendie lorsqu'il est utilisé avec un autre type de bloc-piles.
2. **N'utilisez un outil électrique qu'avec le bloc-piles conçu spécifiquement pour cet outil.** Il y a risque de blessure ou d'incendie si un autre bloc-piles est utilisé.
3. **Lorsque vous n'utilisez pas le bloc-piles, rangez-le à l'écart des objets métalliques tels que trombones, pièces de monnaie, clés, clous, vis ou autres petits objets métalliques qui risqueraient d'établir une connexion entre les bornes.** La mise en court-circuit des bornes de batterie peut causer des brûlures ou un incendie.
4. **Dans des conditions d'utilisation inadéquates de la batterie, il peut y avoir fuite d'électrolyte; évitez tout contact avec ce liquide. En cas de contact accidentel, rincez avec beaucoup d'eau. Si le liquide pénètre dans vos yeux, il faut aussi consulter un médecin.** L'électrolyte qui s'échappe de la batterie peut causer des irritations ou des brûlures.
5. **N'utilisez pas une batterie ou un outil si l'est endommagé ou modifié.** Les batteries endommagées ou modifiées peuvent avoir un comportement imprévisible dont peut résulter un incendie, une explosion ou un risque de blessure.
6. **N'exposez pas une batterie ou un outil au feu ou à une température excessive.** L'exposition au feu ou à une température supérieure à 130 °C peut entraîner une explosion.
7. **Suivez toutes les instructions de charge et ne chargez pas la batterie ou l'outil à l'extérieur de la plage de température spécifiée dans les instructions.** Charger de manière inadéquate ou à des températures hors de la plage spécifiée peut endommager la batterie et augmenter le risque d'incendie.

Réparation

1. **Faites réparer votre outil électrique par un réparateur qualifié qui utilise des pièces de rechange identiques aux pièces d'origine.** Le maintien de la sûreté de l'outil électrique sera ainsi assuré.
2. **N'essayez jamais de réparer les batteries endommagées.** La réparation des batteries ne doit être effectuée que par le fabricant ou par un fournisseur de service après-vente agréé.
3. **Suivez les instructions de lubrification et de remplacement des accessoires.**
4. **Ne modifiez pas ou n'essayez pas de réparer l'appareil ou la batterie autrement que tel qu'indiqué dans les instructions d'utilisation et d'entretien.**

Consignes de sécurité additionnelles

Équipement de protection individuelle



1. **Portez un casque de sécurité, des lunettes à coques et des gants protecteurs pour vous protéger contre les projections de débris ou la chute d'objets.**
2. **Portez une protection d'oreilles telle qu'un protège-oreilles pour prévenir les lésions de l'ouïe.**
3. **Portez des vêtements et chaussures sécuritaires, tels qu'une combinaison de travail et des chaussures robustes à semelle antidérapante. Ne portez ni vêtements amples ni bijoux.** Les vêtements amples, bijoux ou cheveux longs peuvent être happés par les pièces en mouvement.
4. **Avant de toucher la lame, enfillez des gants protecteurs.** Les lames peuvent couper sévèrement les mains nues.

Sécurité de la zone de travail

1. **Avant l'exécution du travail, vérifiez l'absence de pierres ou autres objets solides dans la zone de travail.** Ils peuvent être projetés ou causer un dangereux recul, et entraîner une grave blessure et/ou des dommages matériels.

Sécurité concernant l'électricité et la batterie

1. **Évitez les environnements dangereux. N'utilisez pas l'outil dans les endroits humides ou mouillés, et ne l'exposez pas à la pluie.** L'infiltration d'eau dans l'outil accroît le risque de décharge électrique.
2. **Ne jetez pas la/les batterie(s) au feu.** L'élément pourrait exploser. Vérifiez la réglementation de votre région pour savoir s'il existe des directives particulières sur l'élimination.
3. **N'ouvrez pas et n'endommagez pas la/les batterie(s).** L'électrolyte qui s'échappe est corrosif et peut provoquer des dommages aux yeux ou à la peau. Il peut être toxique s'il est ingéré.
4. **Ne chargez pas la batterie sous la pluie ou dans les emplacements humides.**

5. Ne remplacez pas la batterie avec les mains mouillées.
6. Ne remplacez pas la batterie sous la pluie.
7. Évitez de mouiller la borne de la batterie avec du liquide tel que de l'eau, ou d'immerger la batterie. Évitez de laisser la batterie sous la pluie, et de la charger, l'utiliser ou la ranger dans un endroit humide ou mouillé. Si la borne est mouillée ou si du liquide pénètre à l'intérieur de la batterie, celle-ci peut être court-circuitée et il y a risque de surchauffe, d'incendie ou d'explosion.
8. Après avoir retiré la batterie de l'outil ou du chargeur, veillez à fixer le couvercle de batterie à la batterie et rangez-la dans un endroit sec.
9. Si la batterie est mouillée, vidangez l'eau présente à l'intérieur puis essuyez la batterie avec un linge sec. Avant d'utiliser la batterie, laissez-la sécher complètement dans un endroit sec.
8. N'utilisez pas l'outil par mauvais temps ou s'il y a un risque de foudre.
9. Tenez toujours l'outil à deux mains pendant l'exécution du travail. N'utilisez jamais l'outil d'une seule main.
10. Pendant l'exécution du travail, utilisez la sangle d'épaule. Gardez l'outil fermement de votre côté droit.
11. Ne touchez pas la boîte d'engrenage pendant et immédiatement après l'exécution du travail. La boîte d'engrenage devient chaude pendant l'exécution du travail et elle peut entraîner une blessure.
12. En cas de fatigue, faites une pause pour éviter de perdre le contrôle de l'outil. Il est recommandé de prendre une pause de 10 à 20 minutes toutes les heures.
13. Lorsque vous utilisez l'outil sur un sol boueux, sur une pente mouillée ou dans un endroit glissant, faites attention à votre prise au sol.
14. Évitez de travailler dans un environnement médiocre qui risque fortement d'entraîner une fatigue accrue.
15. N'utilisez pas l'outil par mauvais temps, la visibilité étant réduite. Autrement vous risquez de provoquer une chute ou une utilisation incorrecte en raison de la mauvaise visibilité.
16. Ne submergez pas l'outil dans une flaque d'eau.
17. Ne laissez pas l'outil à l'extérieur sous la pluie.
18. Lorsque des feuilles mouillées ou des saletés adhèrent à la bouche d'aspiration (fenêtre de ventilation) à cause de la pluie, retirez-les.
19. N'utilisez pas l'outil dans la neige.

Mise en marche

1. L'outil tranchant doit être équipé du garde. N'utilisez jamais l'outil si le garde est endommagé ou s'il n'est pas en place !
2. Assurez-vous qu'il n'y a pas de câbles électriques, tuyaux d'eau, tuyaux de gaz, etc., pouvant entraîner un danger s'ils sont endommagés lors de l'utilisation de l'outil.

Utilisation

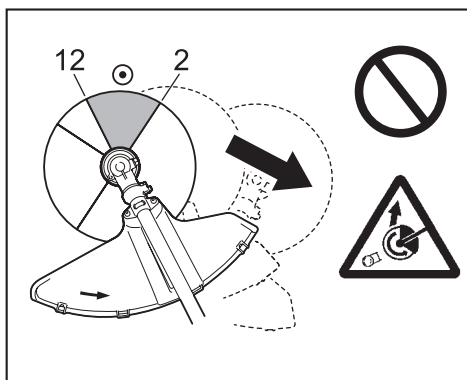
1. Gardez toujours les mains, le visage et les vêtements à l'écart de l'outil tranchant pendant qu'il tourne. Autrement, il y a risque de blessure.
2. Pendant l'exécution du travail, ne laissez pas les curieux ou les animaux approcher à moins de 15 m de l'outil. Arrêtez l'outil dès que quelqu'un approche.
3. Pendant l'exécution du travail, ne vous tenez jamais sur une surface instable ou glissante, ou dans une pente abrupte. Pendant la saison froide, prenez garde à la glace et à la neige, et assurez-vous toujours d'une bonne prise au sol.
4. Ne travaillez jamais sur une échelle ou dans un arbre, pour éviter de perdre le contrôle.
5. Lorsque vous laissez l'outil derrière vous, même pour un court instant, retirez toujours la batterie. Un outil laissé sans surveillance avec la batterie installée peut être utilisé par une personne non autorisée et entraîner un accident grave.
6. Avant de démarrer l'outil, assurez-vous que l'outil tranchant ne touche ni le sol ni d'autres obstacles tels qu'un arbre.
7. Vérifiez régulièrement l'absence de fissures ou dommages sur l'accessoire de coupe pendant l'exécution du travail. Avant de procéder à l'inspection, retirez la batterie et attendez l'arrêt complet de l'accessoire de coupe. Remplacez immédiatement tout accessoire de coupe endommagé, même s'il ne s'agit que de fissures superficielles.

Outils tranchants

1. Lorsque vous utilisez des lames, évitez les reculs et soyez toujours prêt à réagir en cas de recul accidentel. Consultez la section sur le recul.
2. Lorsque vous n'utilisez pas l'outil, fixez le couvre-lames sur la lame. Retirez le couvre-lames avant d'exécuter le travail.

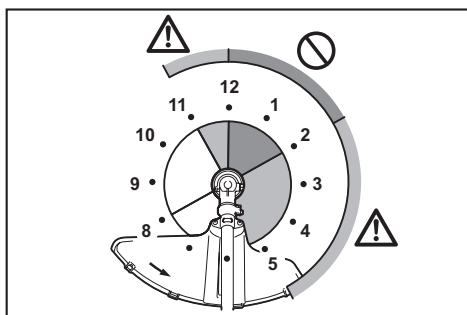
Recul (effet de rebond de la lame)

1. Le recul (effet de rebond de la lame) est une réaction soudaine qui se produit lorsqu'une lame accroche ou se coince. Lorsque cela se produit, l'outil est projeté avec force sur le côté ou vers l'utilisateur, et peut entraîner de graves blessures.
2. Le recul survient tout particulièrement lorsque le segment de la lame situé entre 12 et 2 heures est appliqué contre les objets solides, les buissons ou les arbres d'un diamètre de 3 cm ou plus.



3. Pour éviter le recul :

1. Appliquez le segment de la lame qui se trouve entre 8 et 11 heures.
2. N'appliquez jamais le segment qui se trouve entre 12 et 2 heures.
3. N'appliquez jamais les segments qui se trouvent entre 11 et 12 heures et entre 2 et 5 heures, à moins d'avoir été bien formé et d'être expérimenté, et sachez que vous le faites à vos propres risques.
4. N'utilisez jamais les lames près des objets solides tels que clôtures, murs, troncs d'arbre et pierres.
5. N'utilisez jamais les lames verticalement, pour les travaux tels que le dressage de bordures ou la taille des haies.



Vibrations

1. Les personnes dont la circulation sanguine est mauvaise courent un risque de blessure aux vaisseaux sanguins ou au système nerveux en cas d'exposition excessive aux vibrations. Les vibrations peuvent causer les symptômes suivants aux doigts, mains ou poignets : Somnolence (engourdissement), picotement, douleur, douleur lancinante, altération de la couleur de la peau ou de la peau elle-même. Si l'un ou l'autre de ces symptômes se manifeste, consultez un médecin !
2. Pour réduire le risque de « maladie du doigt mort », gardez les mains au chaud pendant l'utilisation et entretenez bien l'outil et les accessoires.

Transport

1. Avant de transporter l'outil, éteignez-le et retirez la batterie. Fixez le couvre-lames à la lame.

Entretien

1. Avant d'effectuer tout travail d'entretien, de réparation ou de nettoyage de l'outil, éteignez-le toujours et retirez la batterie.
2. Lorsque vous manipulez une lame, portez toujours des gants et mettez le couvre-lames sur la lame.
3. Maintenez les poignées sèches, propres et exemptes d'huile ou de graisse. Maintenez les entrées d'air de refroidissement exemptes de débris.
4. Ne lavez pas l'outil avec de l'eau à haute pression.
5. Lorsque vous lavez l'outil, ne laissez pas l'eau entrer dans les composants mécaniques tels que la batterie, le moteur et les bornes.
6. Effectuez toujours des gants et mettez le couvre-lames sur la lame.
7. Après avoir utilisé l'outil, retirez la saleté collée et séchez complètement l'outil avant de le ranger. Selon la saison ou la région, il y a un risque de dysfonctionnement dû au gel.

Rangement

1. Avant de ranger l'outil, procédez à son nettoyage et entretien complet. Retirez la batterie. Fixez le couvre-lames à la lame.
2. Rangez l'outil dans un emplacement sec et élevé ou verrouillé, hors de la portée des enfants.
3. Lorsque vous rangez l'outil, évitez la lumière directe du soleil et la pluie, et rangez-le dans un endroit ni trop chaud ni trop humide.

Symboles

Les symboles utilisés pour l'outil sont indiqués ci-dessous.

	volts
	courant continu

Consignes de sécurité importantes pour la batterie

1. Avant d'utiliser la batterie, lisez toutes les instructions et les mises en garde apposées sur (1) le chargeur de batterie, (2) la batterie et (3) le produit utilisant la batterie.
2. Ne démontez pas et ne modifiez pas la batterie. Cela peut entraîner un incendie, une chaleur excessive ou une explosion.
3. Cessez immédiatement l'utilisation si le temps de fonctionnement devient excessivement court. Il y a un risque de surchauffe, de brûlures, voire d'explosion.

4. Si l'électrolyte pénètre dans vos yeux, rincez-les à l'eau claire et consultez immédiatement un médecin. Il y a risque de perte de la vue.
5. **Ne court-circuitez pas la batterie :**
 - (1) Ne touchez les bornes avec aucun matériau conducteur.
 - (2) Évitez de ranger la batterie dans un conteneur avec d'autres objets métalliques tels que clous, pièces de monnaie, etc.
 - (3) Évitez d'exposer la batterie à l'eau ou à la pluie.

Un court-circuit de la batterie pourrait provoquer un fort courant, une surchauffe, parfois des brûlures et même une panne.
6. Ne rangez pas et n'utilisez pas l'outil ou la batterie dans des emplacements où la température peut atteindre ou dépasser 50 °C (122 °F).
7. Ne jetez pas la batterie au feu même si elle est sérieusement endommagée ou complètement épuisée. La batterie peut exploser au contact du feu.
8. Évitez de clouer, de couper, d'écraser, de lancer ou d'échapper la batterie, ou de heurter un objet dur contre la batterie. Cela peut entraîner un incendie, une chaleur excessive ou une explosion.
9. N'utilisez pas une batterie si elle est endommagée.
10. **Les batteries lithium-ion fournies sont soumises aux exigences de la législation sur les marchandises dangereuses.**

Des exigences particulières sur l'emballage et l'étiquetage doivent être respectées lors du transport commercial par des tiers, des transitaires, etc. Pour préparer la marchandise à expédier, consultez un expert en matériaux dangereux si nécessaire. Respectez aussi les éventuelles réglementations nationales plus détaillées.

Recouvrez de ruban isolant les contacts exposés, et emballez la batterie de sorte qu'elle ne puisse pas se déplacer à l'intérieur de l'emballage.
11. **Lors de l'élimination de la batterie, retirez-la de l'outil et éliminez-la dans un endroit sûr. Respectez la réglementation locale concernant l'élimination de la batterie.**
12. **N'utilisez les batteries qu'avec les produits spécifiés par Makita.** Installer les batteries sur des produits non conformes peut entraîner un incendie, une chaleur excessive, une explosion ou une fuite d'électrolyte.
13. **Si l'outil reste inutilisé pour une période prolongée, la batterie doit en être retirée.**
14. **Pendant et après l'utilisation, la batterie peut accumuler de la chaleur, ce qui peut causer des brûlures ou des brûlures à basse température. Faites attention lors de la manipulation des batteries chaudes.**
15. **Ne touchez pas la borne de l'outil immédiatement après l'utilisation, car elle peut être assez chaude pour causer des brûlures.**
16. **Ne laissez pas les copeaux, les poussières ou la terre se coincer dans les bornes, les trous et les rainures de la batterie.** Cela peut entraîner un fonctionnement médiocre ou une panne de l'outil ou de la batterie.
17. **À moins que l'outil ne soit compatible avec l'utilisation à proximité des lignes électriques haute tension, n'utilisez pas la batterie à proximité d'une ligne électrique haute tension.** Cela peut entraîner un dysfonctionnement ou une panne de l'outil ou de la batterie.
18. **Gardez la batterie à l'écart des enfants.**

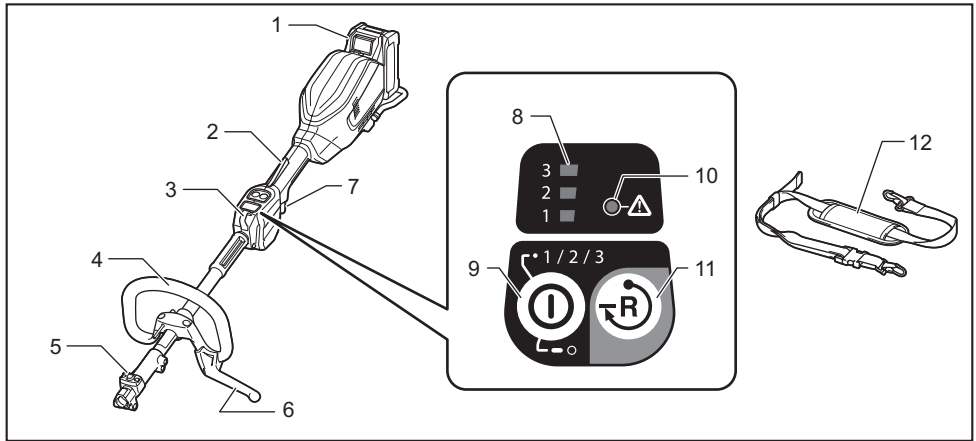
CONSERVEZ CES INSTRUCTIONS.

⚠ATTENTION : Utilisez exclusivement les batteries fabriquées par Makita. Les batteries autres que celles fabriquées par Makita ou les batteries modifiées peuvent exploser et causer un incendie, une blessure ou des dommages. Cela annule aussi la garantie Makita de l'outil et du chargeur Makita.

Conseils pour maintenir la durée de service maximale de la batterie

1. **Rechargez la batterie avant qu'elle ne soit complètement déchargée. Arrêtez toujours l'outil et rechargez la batterie quand vous remarquez que la puissance de l'outil diminue.**
2. **Ne rechargez jamais une batterie complètement chargée. La surcharge réduit la durée de service de la batterie.**
3. **Chargez la batterie à une température ambiante comprise entre 10 °C et 40 °C (50 °F et 104 °F). Si la batterie est chaude, laissez-la refroidir avant de la charger.**
4. **Lorsque vous n'utilisez pas la batterie, retirez-la de l'outil ou du chargeur.**
5. **Chargez la batterie si elle est restée inutilisée pendant une période prolongée (plus de six mois).**

DESCRIPTION DES PIÈCES



1	Batterie	2	Levier de sécurité	3	Attache	4	Guidon
5	Bouton de libération	6	Défense	7	Gâchette	8	Indicateur de vitesse
9	Bouton d'alimentation principale	10	Témoin d'avertissement	11	Bouton inverseur	12	Sangle d'épaule

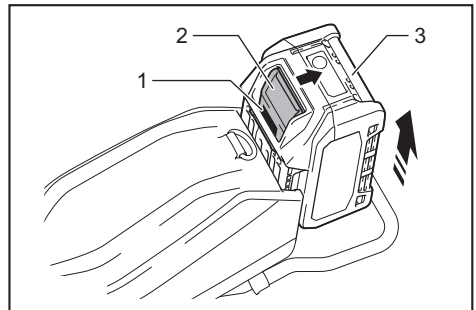
DESCRIPTION DU FONCTIONNEMENT

⚠ MISE EN GARDE : Assurez-vous toujours que l'outil est éteint et que la batterie est retirée avant d'effectuer un réglage ou de vérifier le fonctionnement de l'outil. Si vous n'éteignez pas l'outil et ne retirez pas la batterie, vous risquez de graves blessures en cas de démarrage accidentel.

Installation ou retrait de la batterie

⚠ ATTENTION : Éteignez toujours l'outil avant d'installer ou de retirer la batterie.

⚠ ATTENTION : Tenez fermement l'outil et la batterie lors de l'installation ou du retrait de cette dernière. Si l'outil et la batterie ne sont pas tenus fermement, ils risquent de vous glisser des mains et de subir des dommages, ou encore de vous blesser.



► 1. Indicateur rouge 2. Bouton 3. Batterie

Pour retirer la batterie, faites-la glisser hors de l'outil tout en glissant le bouton qui se trouve à l'avant.

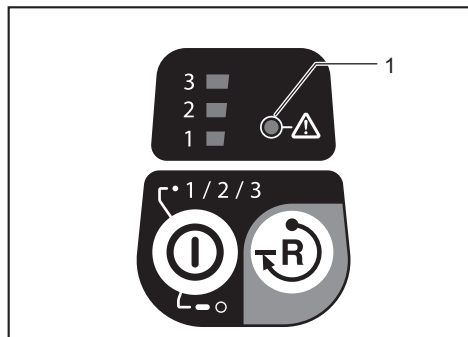
Pour installer la batterie, alignez sa languette sur la rainure pratiquée dans le boîtier, et glissez la batterie en place. Insérez-la à fond jusqu'à ce que vous entendiez un léger dé clic. Si vous pouvez voir l'indicateur rouge sur le dessus du bouton, la batterie n'est pas complètement verrouillée.

⚠ ATTENTION : Installez toujours la batterie à fond jusqu'à ce que vous ne puissiez plus voir l'indicateur rouge. Autrement elle risque de tomber accidentellement de l'outil et d'entraîner des blessures.

⚠ ATTENTION : Ne forcez pas sur la batterie pour l'installer. Si la batterie ne glisse pas facilement, c'est qu'elle n'est pas insérée correctement.

Dispositif de protection de l'outil et de la batterie

L'outil est équipé d'un dispositif de protection de l'outil et de la batterie. Ce dispositif coupe automatiquement l'alimentation du moteur pour prolonger la durée de service de l'outil et de la batterie. L'outil s'arrêtera automatiquement pendant l'utilisation s'il se trouve dans l'une ou l'autre des situations suivantes :



► 1. Témoin d'avertissement

Témoin d'avertissement			État
Couleur	Allumé	Clignotant	
Vert	<input type="radio"/>	<input type="radio"/>	Surcharge
Rouge	<input type="radio"/> (outil) / <input type="radio"/> (batterie)	<input type="radio"/>	Surchauffe
Rouge	<input type="radio"/>	<input type="radio"/>	Décharge excessive

Protection contre la surcharge

Si l'outil ou la batterie se trouve dans l'une des situations suivantes, l'outil s'arrête automatiquement et le témoin d'avertissement se met à clignoter en vert :

- L'outil est surchargé par des herbes ou autres débris coincés.
- L'outil de coupe est bloqué ou a causé un recul.
- Le bouton d'alimentation principale est activé pendant que la gâchette est enfoncée.

Dans cette situation, libérez la gâchette et retirez les herbes ou autres débris coincés si nécessaire. Ensuite, appuyez de nouveau sur la gâchette pour poursuivre le travail.

ATTENTION : Si vous devez retirer les herbes coincées dans l'outil ou libérer l'outil de coupe bloqué, veillez à éteindre d'abord l'outil.

Protection contre la surchauffe pour outil ou batterie

Si l'outil ou la batterie est surchauffé, l'outil s'arrête automatiquement. Lorsque l'outil est surchauffé, le témoin d'avertissement s'allume en rouge. Lorsque la batterie est surchauffée, le témoin d'avertissement clignote en rouge. Laissez refroidir l'outil et/ou la batterie avant de rallumer l'outil.

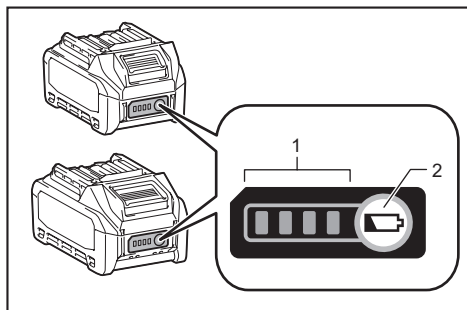
Protection contre la décharge excessive

Lorsque la charge de la batterie est basse, l'outil s'arrête automatiquement et le témoin d'avertissement se met à clignoter en rouge.

Si l'outil ne fonctionne pas même si vous activez les commutateurs, retirez la batterie de l'outil et chargez-la.

Affichage de la charge restante de la batterie

Appuyez sur le bouton de vérification de la batterie pour afficher la charge restante de la batterie. Les témoins indicateurs s'allument pendant quelques secondes.



► 1. Témoins indicateurs 2. Bouton de vérification

Témoins indicateurs			Charge restante
Allumé	Éteint	Clignotant	
■ ■ ■ ■			75 % à 100 %
■ ■ ■ □			50 % à 75 %
■ ■ □ □			25 % à 50 %
■ □ □ □			0 % à 25 %
▬ □ □ □			Chargez la batterie.
■ ■ □ □			La batterie a peut-être mal fonctionné.
□ □ ■ ■	↑ ↓		

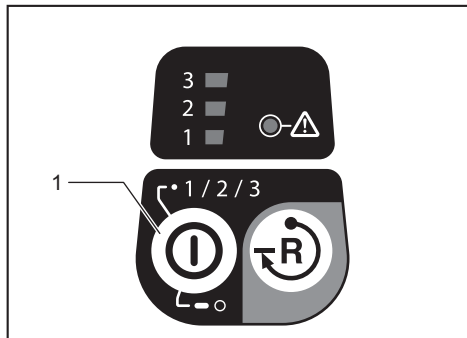
NOTE : Suivant les conditions d'utilisation et la température ambiante, il se peut que l'indication soit légèrement différente de la charge réelle.

NOTE : La première lampe témoin (à l'extrémité gauche) clignote lorsque le dispositif de protection de la batterie s'active.

Interrupteur d'alimentation secteur

⚠ MISE EN GARDE : Lorsqu'elle n'est pas utilisée, mettez toujours l'interrupteur d'alimentation principale en position d'arrêt.

Appuyez sur le bouton d'alimentation principale pour allumer l'outil. Pour éteindre l'outil, maintenez le bouton d'alimentation principale enfoncé jusqu'à ce que les indicateurs de vitesse s'éteignent.



► 1. Bouton d'alimentation principale

NOTE : Le témoin d'avertissement clignote si la gâchette est enfoncée dans des conditions où l'utilisation n'est pas possible. Le témoin d'avertissement clignote si vous mettez l'interrupteur d'alimentation principale en position de marche tout en maintenant le levier de sécurité abaissé et la gâchette enfoncée.

NOTE : Cet outil utilise une fonction de mise hors tension automatique. Pour éviter les démarrages accidentels, l'alimentation est coupée automatiquement si la gâchette reste non enfoncée pendant un certain temps après avoir mis l'interrupteur d'alimentation principale en position de marche.

Interrupteur

⚠ MISE EN GARDE : Pour votre sécurité, cet outil est doté d'un levier de sécurité qui prévient le démarrage involontaire de l'outil. N'utilisez JAMAIS l'outil s'il s'active simplement en appuyant sur la gâchette sans presser sur le levier de sécurité. AVANT de poursuivre l'utilisation, retournez l'outil à notre centre de service après-vente agréé pour le faire réparer.

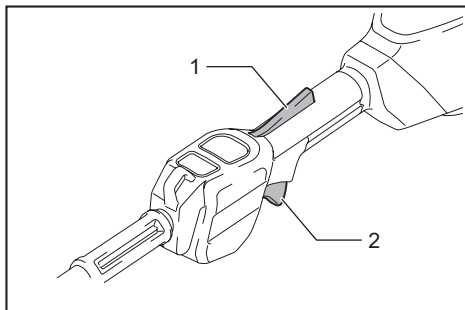
⚠ MISE EN GARDE : Le levier de sécurité ne doit JAMAIS être immobilisé avec du ruban adhésif, ni modifié.

⚠ ATTENTION : Avant d'insérer la batterie dans l'outil, vérifiez toujours que la gâchette fonctionne bien et revient en position d'arrêt lorsque libérée.

⚠ ATTENTION : Ne mettez jamais le doigt sur le bouton d'alimentation principale et la gâchette pendant que vous transportez l'outil. L'outil risquerait de démarrer accidentellement et de causer une blessure.

AVIS : N'appuyez pas fortement sur la gâchette avant d'avoir enfoncé le levier de sécurité. Vous risqueriez de casser la gâchette.

L'outil est doté d'un levier de sécurité pour éviter l'activation accidentelle de la gâchette.

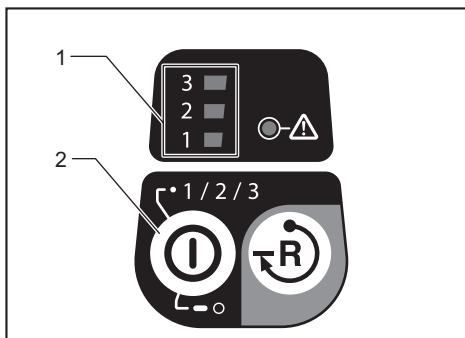


► 1. Levier de sécurité 2. Gâchette










Pour démarrer l'outil, mettez l'interrupteur d'alimentation principale en position de marche et saisissez la poignée (la saisie libère le levier de sécurité), puis appuyez sur la gâchette. La vitesse de l'outil augmente à mesure que vous augmentez la pression sur la gâchette. Pour arrêter l'outil, relâchez la gâchette.

Réglage de la vitesse

Vous pouvez sélectionner la vitesse de l'outil en tapant sur le bouton d'alimentation principale. Chaque fois que vous tapez sur le bouton d'alimentation principale, le niveau de vitesse change.



► 1. Indicateur de vitesse 2. Bouton d'alimentation principale

Indicateur de vitesse	Mode
3  2  1 	Vitesse élevée
3  2  1 	Vitesse moyenne
3  2  1 	Vitesse basse

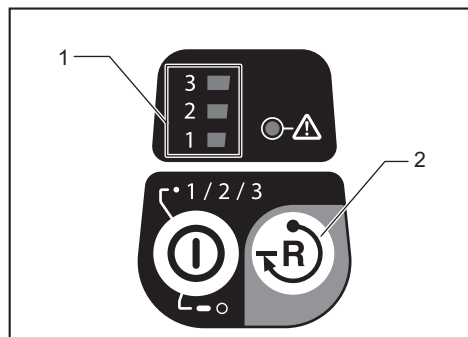
Bouton inverseur pour le retrait des débris

⚠ MISE EN GARDE : Éteignez l'outil et retirez la batterie avant d'enlever les herbes ou débris coincés que la fonction de rotation inversée ne permet pas d'enlever. Si vous n'éteignez pas l'outil et ne retirez pas la batterie, vous risquez de graves blessures en cas de démarrage accidentel.

Cet outil est équipé d'un bouton inverseur pour changer le sens de la rotation. Il sert uniquement à enlever les herbes et débris coincés dans l'outil.

Pour inverser la rotation, tapez sur le bouton inverseur et appuyez sur la gâchette tout en enfonçant le levier de sécurité alors que l'outil tranchant est arrêté. Les indicateurs de vitesse se mettent à clignoter, et l'outil tranchant tourne en sens inverse lorsque vous appuyez sur la gâchette.

Pour rétablir la rotation normale, relâchez la gâchette et attendez que l'outil de coupe s'arrête.



► 1. Indicateur de vitesse 2. Bouton inverseur

NOTE : Pendant la rotation inversée, l'outil ne fonctionne qu'un court moment puis s'arrête automatiquement.

NOTE : Une fois l'outil arrêté, la rotation revient dans le sens normal au démarrage suivant de l'outil.

NOTE : Si vous appuyez sur le bouton inverseur pendant que l'outil de coupe tourne encore, l'outil s'arrête et est prêt pour la rotation inversée.

Fonction de commande électronique du couple de serrage

L'outil détecte électroniquement les baisses soudaines de vitesse de rotation, celles-ci pouvant causer un recul. Le cas échéant, l'outil s'arrête automatiquement pour empêcher l'outil de coupe de continuer à tourner. Pour redémarrer l'outil, libérez la gâchette. Annulez la cause de la baisse soudaine de vitesse de rotation, puis rallumez l'outil.

NOTE : Cette fonction n'est pas un dispositif de prévention du recul.

Frein électrique

Cet outil est équipé d'un frein électrique. Si l'outil ne s'arrête jamais rapidement après la libération de la gâchette, faites-le réparer dans notre centre de service après-vente.

⚠ ATTENTION : Ce système de freinage ne remplace pas le protecteur. N'utilisez jamais l'outil sans le protecteur. Un outil de coupe non protégé peut causer une grave blessure.

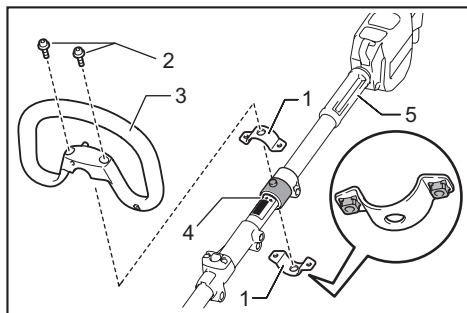
ASSEMBLAGE

⚠ MISE EN GARDE : Assurez-vous toujours que l'outil est éteint et que la batterie est retirée avant d'effectuer toute opération sur l'outil. Si vous n'éteignez pas l'outil et ne retirez pas la batterie, vous risquez de graves blessures en cas de démarrage accidentel.

⚠ MISE EN GARDE : Ne démarrez jamais l'outil s'il n'est pas complètement assemblé. L'utilisation d'un outil partiellement assemblé peut causer de graves blessures en cas de démarrage accidentel.

Montage de la poignée

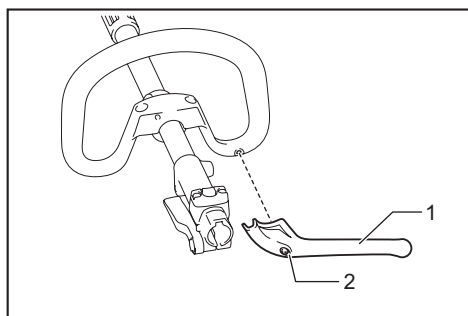
Fixez la poignée avec les colliers et boulons fournis. Assurez-vous que la poignée se trouve entre la pièce d'écartement et la marque de flèche. Ne retirez pas et ne compressez pas la pièce d'écartement.



► 1. Collier 2. Boulon à tête creuse à six pans 3. Poignée 4. Marque de flèche 5. Pièce d'écartement

Lorsque vous utilisez les fixations suivantes, veillez à fixer la défense à la poignée à l'aide de la vis de la défense.

- Tête débroussailleuse *
 - Tête débroussailleuse *
 - Tête dresse-bordures
- *. Uniquement lorsqu'une lame de métal est fixée.



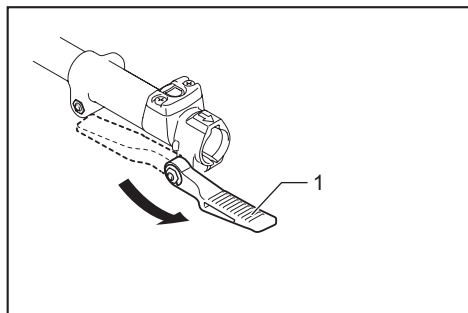
► 1. Défense 2. Vis

Montage du tube de fixation

ATTENTION : Après la pose, assurez-vous toujours que le tube de fixation est bien fixé. En cas de pose incorrecte, la fixation risque de se détacher de l'unité d'alimentation et d'entraîner une blessure.

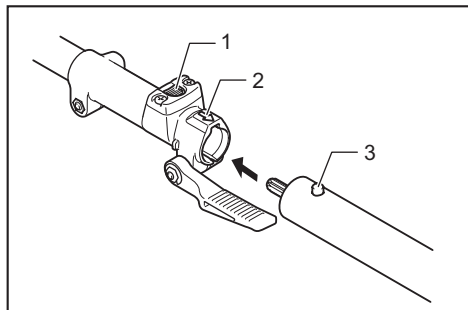
Montez le tube de fixation sur le groupe moteur.

1. Tournez le levier de l'unité d'alimentation du côté de la fixation.



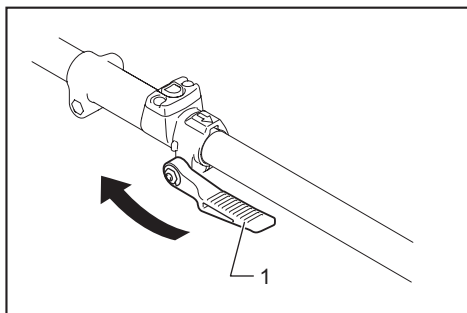
► 1. Levier

2. Retirez le capuchon de la fixation. Alignez la broche sur la marque de flèche et insérez le tube de fixation jusqu'à ce que le bouton de libération surgisse.



► 1. Bouton de libération 2. Marque de flèche
3. Broche

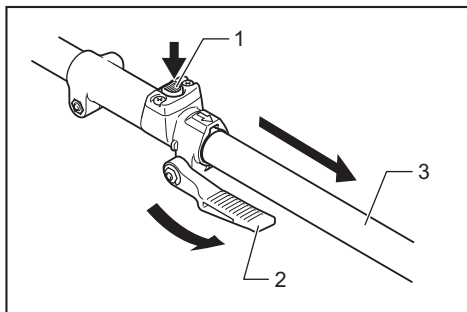
3. Tournez le levier du côté de l'unité d'alimentation.



► 1. Levier

Assurez-vous que la surface du levier est parallèle au tube.

Pour retirer le tube, tournez le levier du côté de la fixation et tirez sur le tube tout en enfonçant le bouton de libération.

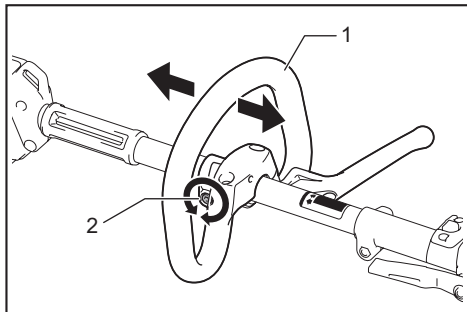


► 1. Bouton de libération 2. Levier 3. Tube

Réglage de la position de la poignée

Réglez la position de la poignée pour pouvoir manier l'outil de manière confortable.

Desserrez le boulon à tête creuse hexagonale sur la poignée. Déplacez la poignée sur une position de travail confortable, puis serrez le boulon.



► 1. Guidon 2. Boulon à tête creuse hexagonale

Pose de la sangle d'épaule

⚠ MISE EN GARDE : Redoublez de prudence pour garder le contrôle de l'outil en tout temps. Ne laissez pas l'outil dévier vers vous ou vers quiconque près de la zone de travail. La perte de contrôle de l'outil peut causer de graves blessures, aussi bien à vous-même qu'aux personnes présentes.

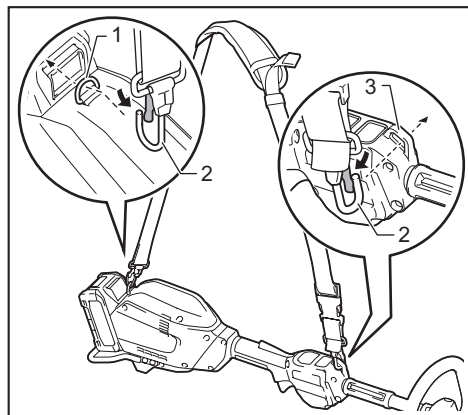
⚠ ATTENTION : Lorsque vous utilisez l'outil en combinaison avec une source d'alimentation de type sac à dos, comme le support d'alimentation portable, n'utilisez pas la sangle d'épaule incluse dans l'emballage de l'outil; utilisez plutôt la bande de suspension recommandée par Makita.

Si vous portez en même temps la sangle d'épaule incluse dans l'emballage de l'outil et la sangle d'épaule de la source d'alimentation de type sac à dos, il sera difficile de retirer l'outil ou la source d'alimentation de type sac à dos en cas d'urgence, ce qui peut entraîner un accident ou une blessure. Au sujet de la bande de suspension recommandée, informez-vous auprès d'un centre de service après-vente agréé Makita.

⚠ ATTENTION : Utilisez toujours la sangle d'épaule fixée à l'outil. Avant d'exécuter le travail, ajustez la sangle d'épaule à votre taille pour éviter de vous fatiguer.

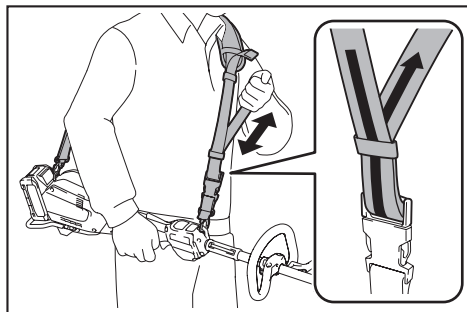
⚠ ATTENTION : Avant l'utilisation, assurez-vous que la sangle d'épaule est fixée correctement à l'outil.

1. Fixez le crochet de la sangle d'épaule à l'anneau et à l'attache de l'outil.

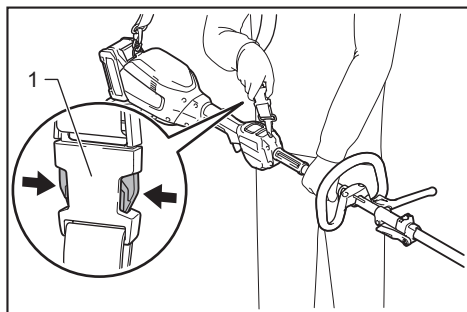


► 1. Anneau 2. Crochet 3. Attache

2. Mettez la sangle d'épaule sur votre épaule gauche. Réglez la sangle d'épaule sur une position de travail confortable.



La sangle d'épaule est dotée d'un dispositif de retrait rapide. Pressez simplement les côtés de la boucle pour libérer l'outil de la sangle d'épaule.

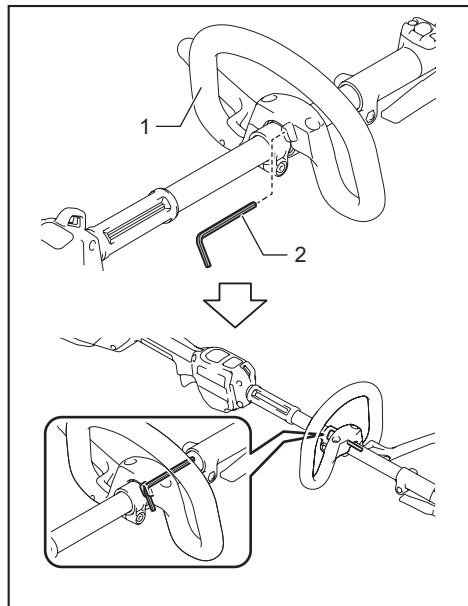


► 1. Boucle

Rangement de la clé hexagonale

ATTENTION : Prenez garde de laisser la clé hexagonale insérée dans la tête de l'outil. Cela risquerait de causer une blessure et/ou d'endommager l'outil.

Lorsqu'elle n'est pas utilisée, rangez la clé hexagonale tel qu'illustré pour éviter de la perdre.



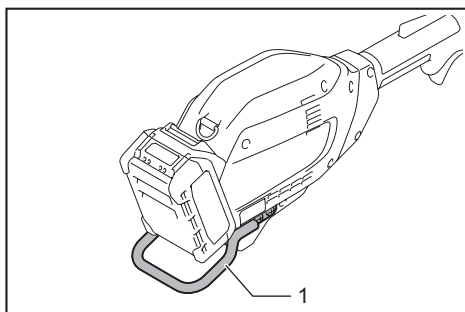
► 1. Poignée 2. Clé hexagonale

Nettoyage de l'outil

Nettoyez l'outil en essuyant les poussières, saletés ou brins d'herbe coupés à l'aide d'un linge sec ou d'un linge trempé dans l'eau savonneuse puis essoré. Pour éviter la surchauffe de l'outil, pensez à retirer les brins d'herbe coupés ou débris qui adhèrent aux orifices d'aération de l'outil.

Protecteur de batterie

MISE EN GARDE : Ne retirez pas le protecteur de batterie. N'utilisez pas l'outil si le protecteur de batterie est retiré ou endommagé. Un choc direct sur la batterie peut causer son dysfonctionnement et entraîner une blessure et/ou un incendie. Si le protecteur de batterie est déformé ou endommagé, contactez votre centre de service autorisé pour le faire réparer.



► 1. Protecteur de batterie

ENTRETIEN

MISE EN GARDE : Assurez-vous toujours que l'outil est éteint et que la batterie est retirée avant d'effectuer l'inspection ou l'entretien de l'outil. Si vous n'éteignez pas l'outil et ne retirez pas la batterie, vous risquez de graves blessures en cas de démarrage accidentel.

AVIS : N'utilisez jamais d'essence, de benzine, de solvant, d'alcool ou autres produits similaires. Une décoloration, une déformation ou la formation de fissures peuvent en découler.

Pour maintenir la SÉCURITÉ et la FIABILITÉ du produit, les réparations et tout autre travail d'entretien ou de réglage doivent être effectués dans un centre de service après-vente autorisé ou une usine Makita, exclusivement avec des pièces de rechange Makita.

DÉPANNAGE

Avant de faire une demande de réparation, faites d'abord votre propre inspection. Si vous rencontrez un problème non indiqué dans ce manuel, n'essayez pas de démonter l'outil. Demandez plutôt à un centre de service après-vente Makita agréé de faire la réparation avec des pièces de rechange Makita.

État anormal	Cause probable (dysfonctionnement)	Solution
Le moteur ne tourne pas.	La batterie n'est pas installée.	Installez la batterie.
	Problème de batterie (tension insuffisante)	Rechargez la batterie. Si la recharge est sans effet, remplacez la batterie.
	Le dispositif d'entraînement ne fonctionne pas bien.	Demandez à votre centre local de service après-vente agréé d'effectuer la réparation.
Le moteur cesse de tourner au bout d'un court instant.	La rotation est en sens contraire.	Changez le sens de rotation avec le commutateur de marche inverse.
	La charge de la batterie est faible.	Rechargez la batterie. Si la recharge est sans effet, remplacez la batterie.
	Surchauffe.	Arrêtez l'outil pour le laisser refroidir.
Il ne tourne pas à plein régime.	La batterie est mal installée.	Installez la batterie tel que décrit dans ce manuel.
	La puissance de la batterie diminue.	Rechargez la batterie. Si la recharge est sans effet, remplacez la batterie.
	Le dispositif d'entraînement ne fonctionne pas bien.	Demandez à votre centre local de service après-vente agréé d'effectuer la réparation.

ACCESSOIRES EN OPTION

⚠ ATTENTION : Ces accessoires ou pièces complémentaires sont recommandés pour l'utilisation avec l'outil Makita spécifié dans ce manuel. L'utilisation de tout autre accessoire ou pièce complémentaire peut comporter un risque de blessure. N'utilisez les accessoires ou pièces complémentaires qu'aux fins auxquelles ils ont été conçus.

Si vous désirez obtenir plus de détails sur ces accessoires, veuillez contacter le centre de service après-vente Makita le plus près.

Au sujet des modèles applicables à cet outil, consultez la section « Fixation approuvée ».

- Tête débroussailleuse
- Tête coupe herbe
- Tête débroussailleuse
- Tête taille-haie à perche
- Tête faucheuse
- Tête élagueuse à perche
- Tête moto-bineuse
- Tête dresse-bordures
- Tête peigne vibreur pour café
- Rallonge d'arbre
- Outil Balai Brosse
- Outil Balai Racleur
- Tête souffleur
- Chargeur et batterie authentiques Makita

NOTE : Certains éléments de la liste peuvent être inclus avec l'outil comme accessoires standards. Ils peuvent varier suivant les pays.

GARANTIE LIMITÉE MAKITA

Pour les conditions de garantie en vigueur qui s'appliquent à ce produit, veuillez vous reporter à la feuille de garantie en annexe. Si la feuille de garantie en annexe n'est pas disponible, reportez-vous aux détails de la garantie présentés sur le site Web de votre pays, ci-dessous.

États-Unis d'Amérique: www.makitatools.com

Canada: www.makita.ca

Autres pays: www.makita.com

ESPECIFICACIONES

Modelo:		UX01G
Velocidad sin carga (sin el accesorio)	Baja	0 r/min a 5 700 r/min
	Media	0 r/min a 8 200 r/min
	Alta	0 r/min a 9 700 r/min
Longitud total (sin el cartucho de batería)		1 001 mm (39-1/2")
Tensión nominal		c.c. 36 V a 40 V máx.
Peso neto		5,3 kg - 11,6 kg (11,7 lbs - 25,6 lbs)
Grado de protección		IPX4

- Debido a nuestro continuo programa de investigación y desarrollo, las especificaciones aquí incluidas están sujetas a cambio sin previo aviso.
- Las especificaciones pueden variar de país a país.
- El peso puede variar en función de los accesorios, incluido el cartucho de batería. En la tabla se muestra la combinación de peso más ligero y más pesado conforme al procedimiento 01/2014 de EPTA.

Cartucho de batería y cargador aplicables

Cartucho de batería	BL4025/BL4040
Cargador	DC40RA

- Algunos de los cartuchos de batería y cargadores enumerados arriba podrían no estar disponibles dependiendo de su área de residencia.

⚠ ADVERTENCIA: Use únicamente los cartuchos de batería y los cargadores indicados arriba. El uso de cualquier otro cartucho de batería y cargador podría ocasionar una lesión y/o un incendio.

Velocidad sin carga con el accesorio

Modelo	Velocidad de rotación		
	Baja	Media	Alta
EM401MP, EM403MP, EM405MP	0 r/min a 4 200 r/min	0 r/min a 6 000 r/min	0 r/min a 7 100 r/min
EM408MP, EM409MP	0 r/min a 4 200 r/min	0 r/min a 6 000 r/min	0 r/min a 7 100 r/min
EN401MP, EN410MP, EN420MP (Carreras por minuto)	0 cpm a 2 400 cpm	0 cpm a 3 400 cpm	0 cpm a 4 000 cpm
EY401MP (velocidad de la cadena)	0 m/s a 12 m/s	0 m/s a 17 m/s	0 m/s a 20 m/s
KR400MP	0 r/min a 160 r/min	0 r/min a 230 r/min	0 r/min a 280 r/min
KR401MP	0 r/min a 130 r/min	0 r/min a 190 r/min	0 r/min a 230 r/min
EE400MP	0 r/min a 2 800 r/min	0 r/min a 4 000 r/min	0 r/min a 4 700 r/min
EJ400MP	0 cpm a 1 600 cpm	0 cpm a 2 300 cpm	0 cpm a 2 800 cpm
BR400MP	0 r/min a 130 r/min	0 r/min a 190 r/min	0 r/min a 230 r/min
SW400MP	0 r/min a 130 r/min	0 r/min a 190 r/min	0 r/min a 230 r/min
UB400MP	0 gpm a 5 700 gpm	0 gpm a 7 850 gpm	0 gpm a 9 100 gpm

Accesorio aprobado

Tipo	Modelo
Accesorio para Desbrozadora	EM401MP*, EM403MP
Accesorio para Desbrozadora	EM405MP
Accesorio de Desbrozadora	EM408MP*, EM409MP
Accesorio para Cortasetos	EN401MP, EN410MP
Accesorio de Corte a Ras de Piso	EN420MP
Accesorio para Sierra de Extensión	EY401MP
Accesorio para Cultivador	KR400MP, KR401MP
Accesorio Rebordeador	EE400MP
Accesorio para Cosecha de Café	EJ400MP
Extensión del eje	LE400MP
Accesorio de Cepillado Motorizado	BR400MP
Accesorio Barredor Motorizado	SW400MP
Aditamento para soplador	UB400MP

* No disponible en Canadá.

Uso pretendido

Esta herramienta multifuncional inalámbrica está diseñada para accionar el accesorio aprobado indicado en la sección "ESPECIFICACIONES" de este manual de instrucciones. Nunca utilice la unidad con otros propósitos.

⚠ ADVERTENCIA: Lea el manual de instrucciones del accesorio así como este manual de instrucciones antes de usarlo. El no seguir las advertencias e instrucciones podría ocasionar lesiones graves.

ADVERTENCIAS DE SEGURIDAD

Advertencias generales de seguridad para herramientas eléctricas

⚠ ADVERTENCIA: Lea todas las advertencias de seguridad, instrucciones, ilustraciones y especificaciones suministradas con esta herramienta eléctrica. El no seguir todas las instrucciones indicadas a continuación podría ocasionar una descarga eléctrica, incendio y/o lesiones graves.

Conserve todas las advertencias e instrucciones como referencia en el futuro.

En las advertencias, el término "herramienta eléctrica" se refiere a su herramienta eléctrica de funcionamiento con conexión a la red eléctrica (con cableado eléctrico) o herramienta eléctrica de funcionamiento a batería (inalámbrica).

Seguridad en el área de trabajo

1. **Mantenga el área de trabajo limpia y bien iluminada.** Las áreas oscuras o desordenadas son propensas a accidentes.
2. **No utilice las herramientas eléctricas en atmósferas explosivas, tal como en la presencia de líquidos, gases o polvo inflamables.** Las herramientas eléctricas crean chispas que pueden prender fuego al polvo o los humos.
3. **Mantenga a los niños y curiosos alejados mientras utiliza una herramienta eléctrica.** Las distracciones le pueden hacer perder el control.

Seguridad eléctrica

1. **Las clavijas de conexión de las herramientas eléctricas deberán encajar perfectamente en la toma de corriente. No modifique nunca la clavija de conexión de ninguna forma. No utilice ninguna clavija adaptadora con herramientas eléctricas que tengan conexión a tierra (puesta a tierra).** La utilización de clavijas no modificadas y que encajen perfectamente en la toma de corriente reducirá el riesgo de que se produzca una descarga eléctrica.
2. **Evite tocar con el cuerpo superficies conectadas a tierra o puestas a tierra tales como tubos, radiadores, cocinas y refrigeradores.** Si su cuerpo es puesto a tierra o conectado a tierra existirá un mayor riesgo de que sufra una descarga eléctrica.
3. **No exponga las herramientas eléctricas a la lluvia ni a condiciones húmedas.** La entrada de agua en una herramienta eléctrica aumentará el riesgo de que se produzca una descarga eléctrica.
4. **No maltrate el cable. Nunca utilice el cable para transportar, jalar o desconectar la herramienta eléctrica. Mantenga el cable alejado del calor, aceite, objetos cortantes o piezas móviles.** Los cables dañados o enredados aumentan el riesgo de sufrir una descarga eléctrica.
5. **Cuando utilice una herramienta eléctrica en exteriores, utilice un cable de extensión apropiado para uso en exteriores.** La utilización de un cable apropiado para uso en exteriores reducirá el riesgo de que se produzca una descarga eléctrica.

6. **Si no es posible evitar usar una herramienta eléctrica en condiciones húmedas, utilice un alimentador protegido con interruptor de circuito de falla a tierra (ICFT).** El uso de un ICFT reduce el riesgo de descarga eléctrica.
7. **Las herramientas eléctricas pueden producir campos electromagnéticos (CEM) que no son dañinos para el usuario.** Sin embargo, si los usuarios tienen marcapasos y otros dispositivos médicos similares, deberán consultar al fabricante de su dispositivo y/o a su médico antes de operar esta herramienta eléctrica.

Seguridad personal

1. **Manténgase alerta, preste atención a lo que está haciendo y utilice su sentido común cuando opere una herramienta eléctrica. No utilice una herramienta eléctrica cuando esté cansado o bajo la influencia de drogas, alcohol o medicamentos.** Un momento de distracción mientras opera las herramientas eléctricas puede terminar en una lesión grave.
2. **Use equipo de protección personal. Póngase siempre protección para los ojos.** El equipo protector tal como máscara contra el polvo, zapatos de seguridad antiderrapantes, casco rígido y protección para oídos utilizado en las condiciones apropiadas reducirá el riesgo de lesiones.
3. **Impida el encendido accidental. Asegúrese de que el interruptor esté en la posición de apagado antes de conectar a la alimentación eléctrica y/o de colocar el cartucho de batería, así como al levantar o cargar la herramienta.** Cargar las herramientas eléctricas con su dedo en el interruptor o enchufarlas con el interruptor encendido hace que los accidentes sean comunes.
4. **Retire cualquier llave de ajuste o llave de apriete antes de encender la herramienta.** Una llave de ajuste o llave de apriete que haya sido dejada puesta en una parte giratoria de la herramienta eléctrica puede ocasionar alguna lesión.
5. **No utilice la herramienta donde no alcance. Mantenga los pies sobre suelo firme y el equilibrio en todo momento.** Esto permite un mejor control de la herramienta eléctrica en situaciones inesperadas.
6. **Use una vestimenta apropiada. No use ropa suelta ni alhajas. Mantenga el cabello, la ropa y los guantes alejados de las piezas móviles.** Las prendas de vestir holgadas, las alhajas y el cabello largo suelto podrían engancharse en estas piezas móviles.
7. **Si dispone de dispositivos para la conexión de equipos de extracción y recolección de polvo, asegúrese de conectarlos y utilizarlos debidamente.** Hacer uso de la recolección de polvo puede reducir los riesgos relacionados con el polvo.
8. **No permita que la familiaridad adquirida debido al uso frecuente de las herramientas haga que se sienta confiado e ignore los principios de seguridad de las herramientas.** Un descuido podría ocasionar una lesión grave en una fracción de segundo.
9. **Utilice siempre gafas protectoras para proteger sus ojos de lesiones al usar herramientas eléctricas. Las gafas deben cumplir con la Norma ANSI Z87.1 en EUA.** Es responsabilidad del empleador imponer el uso de equipos protectores de seguridad apropiados a los operadores de la herramienta y demás personas cerca del área de trabajo.

Mantenimiento y uso de la herramienta eléctrica

1. **No fuerce la herramienta eléctrica. Utilice la herramienta eléctrica correcta para su aplicación.** La herramienta eléctrica adecuada hará un mejor trabajo y de forma más segura a la velocidad para la que ha sido fabricada.
2. **No utilice la herramienta eléctrica si el interruptor no la enciende y apaga.** Cualquier herramienta eléctrica que no pueda ser controlada con el interruptor es peligrosa y debe ser reemplazada.
3. **Desconecte la clavija de la fuente de alimentación y/o retire la batería de la herramienta eléctrica, en caso de ser removible, antes de realizar ajustes, cambiar accesorios o almacenar las herramientas eléctricas.** Tales medidas de seguridad preventivas reducirán el riesgo de poner en marcha la herramienta eléctrica de forma accidental.
4. **Guarde la herramienta eléctrica que no use fuera del alcance de los niños y no permita que las personas que no están familiarizadas con ella o con las instrucciones la operen.** Las herramientas eléctricas son peligrosas en manos de personas que no saben operarlas.
5. **Dé mantenimiento a las herramientas eléctricas y los accesorios. Compruebe que no haya piezas móviles desalineadas o estancadas, piezas rotas y cualquier otra condición que pueda afectar al funcionamiento de la herramienta eléctrica. Si la herramienta eléctrica está dañada, haga que la reparen antes de utilizarla.** Muchos de los accidentes son ocasionados por no dar un mantenimiento adecuado a las herramientas eléctricas.
6. **Mantenga las herramientas de corte limpias y filosas.** Si recibe un mantenimiento adecuado y tiene los bordes afilados, es probable que la herramienta se atasque menos y sea más fácil controlarla.
7. **Utilice la herramienta eléctrica, los accesorios y las brocas de acuerdo con estas instrucciones, considerando las condiciones laborales y el trabajo a realizar.** Si utiliza la herramienta eléctrica para realizar operaciones distintas de las indicadas, podrá presentarse una situación peligrosa.
8. **Mantenga los mangos y superficies de asiento secos, limpios y libres de aceite o grasa.** Los mangos y superficies de asiento resbalosos no permiten una manipulación segura ni el control de la herramienta en situaciones inesperadas.
9. **Cuando vaya a utilizar esta herramienta, evite usar guantes de trabajo de tela ya que éstos podrían atorarse.** Si los guantes de trabajo de tela llegan a atorarse en las piezas móviles, esto podría ocasionar lesiones personales.

Uso y cuidado de la herramienta a batería

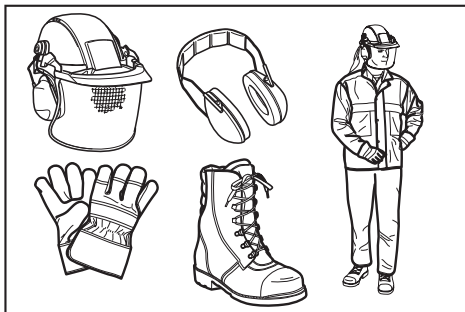
1. **Recargue sólo con el cargador especificado por el fabricante.** Un cargador que es adecuado para un solo tipo de batería puede generar riesgo de incendio al ser utilizado con otra batería.
2. **Utilice las herramientas eléctricas solamente con las baterías designadas específicamente para ellas.** La utilización de cualquier otra batería puede crear un riesgo de lesiones o incendio.
3. **Cuando no se esté usando la batería, manténgala alejada de otros objetos metálicos, como sujetapapeles (clips), monedas, llaves, clavos, tornillos u otros objetos pequeños de metal los cuales pueden actuar creando una conexión entre las terminales de la batería.** Originar un cortocircuito en las terminales puede causar quemaduras o incendios.
4. **En condiciones abusivas, podrá escapar líquido de la batería; evite tocarlo. Si lo toca accidentalmente, enjuague con agua. Si hay contacto del líquido con los ojos, busque asistencia médica.** Puede que el líquido expulsado de la batería cause irritación o quemaduras.
5. **No utilice una herramienta ni una batería que estén dañadas o hayan sido modificadas.** Las baterías dañadas o modificadas podrían ocasionar una situación inesperada provocando un incendio, explosión o riesgo de lesiones.
6. **No exponga la herramienta ni la batería al fuego ni a una temperatura excesiva.** La exposición al fuego o a una temperatura superior a los 130 °C podría causar una explosión.
7. **Siga todas las instrucciones para la carga y evite cargar la herramienta o la batería fuera del rango de temperatura especificado en las instrucciones.** Una carga inadecuada o a una temperatura fuera del rango especificado podría dañar la batería e incrementar el riesgo de incendio.

Servicio

1. **Haga que una persona calificada repare la herramienta eléctrica utilizando sólo piezas de repuesto idénticas.** Esto asegura que se mantenga la seguridad de la herramienta eléctrica.
2. **Nunca dé servicio a baterías que estén dañadas.** El servicio a las baterías solamente deberá ser efectuado por el fabricante o un agente de servicio autorizado.
3. **Siga las instrucciones para la lubricación y cambio de accesorios.**
4. **No modifique ni intente reparar el aparato ni el paquete de baterías salvo como se indique en las instrucciones para el uso y cuidado.**

Instrucciones adicionales de seguridad

Equipo de protección personal



1. **Use casco de seguridad, gafas protectoras y guantes protectores para protegerse de los residuos que salgan volando u objetos que caen.**
2. **Utilice protección para los oídos tal como orejeras para evitar la pérdida auditiva.**
3. **Use ropa y zapatos adecuados para una operación segura, como un overol de trabajo y zapatos resistentes y antideslizantes. No use ropa floja ni alhajas.** Las prendas de vestir holgadas, las alhajas y el cabello largo suelto podrían engancharse en las piezas móviles.
4. **Cuando toque la cuchilla de corte, póngase guantes protectores.** Las cuchillas de corte podrían provocar cortaduras graves en las manos descubiertas.

Seguridad en el área de trabajo

1. **Antes de la operación, examine el área de trabajo para ver si hay piedras u otros objetos sólidos.** Podrían salir lanzados u ocasionar un peligroso retroceso brusco, lo que podría causar lesiones graves y/o daños a la propiedad.

Seguridad eléctrica y de la batería

1. **Evite los entornos peligrosos. No utilice la herramienta en lugares húmedos o mojados ni la esponja a la lluvia.** El agua que ingrese a la herramienta incrementará el riesgo de descarga eléctrica.
2. **No deseché la(s) batería(s) donde haya fuego.** La celda podría explotar. Consulte los códigos locales para ver si hay instrucciones especiales relativas al desecho.
3. **No abra ni dañe la(s) batería(s).** Los electrolitos liberados son corrosivos y pueden ocasionar daños en los ojos o la piel. Éstos pueden ser tóxicos si se llegan a tragar.
4. **No cargue la batería bajo la lluvia ni en lugares mojados.**
5. **No reemplace la batería con las manos mojadas.**

6. **No reemplace la batería bajo la lluvia.**
7. **No moje el terminal de la batería con líquidos, como el agua, ni sumerja la batería en ellos. No deje la batería bajo la lluvia, ni cargue, utilice, o guarde la batería en un lugar húmedo o mojado.** Si el terminal se moja o entra líquido dentro de la batería, la batería puede sufrir un cortocircuito, con el consiguiente riesgo de sobrecalentamiento, incendio o explosión.
8. **Después de retirar la batería de la herramienta o el cargador, asegúrese de acoplar la cubierta de la batería a la batería y de guardarla en un lugar seco.**
9. **Si el cartucho de batería se moja, drene el agua que se haya acumulado en el interior y luego límpielo con un paño seco. Seque el cartucho de batería por completo en un lugar seco antes de usarlo.**
8. **No opere la herramienta en mal clima o si existe el riesgo de rayos.**
9. **Durante la operación, siempre sostenga la herramienta con ambas manos. Nunca sostenga la herramienta con una mano durante el uso.**
10. **Durante la operación, utilice el arnés para hombro. Mantenga la herramienta de su lado derecho con firmeza.**
11. **No toque la caja de engranajes durante e inmediatamente después de la operación.** La caja de engranajes se calienta durante la operación y puede causar una lesión por quemadura.
12. **Tome un descanso para evitar la pérdida de control a causa de la fatiga.** Recomendamos tomar de 10 minutos a 20 minutos de descanso cada hora.
13. **Cuando utilice la herramienta sobre suelo embarrado, inclinaciones mojadas o superficies resbalosas, tenga cuidado al pisar.**
14. **Evite trabajar en un entorno deficiente donde sea probable que aumente la fatiga del usuario.**
15. **No utilice la herramienta cuando las condiciones climáticas no sean buenas y la visibilidad sea limitada.** En caso contrario se podrían ocasionar caídas u operaciones incorrectas debido a la baja visibilidad.
16. **No sumerja la herramienta en los charcos.**
17. **No deje la herramienta desatendida a la intemperie bajo la lluvia.**
18. **Cuando debido a la lluvia se adhieran hojas mojadas o tierra a la abertura de succión (ventana de ventilación), retirelas.**
19. **No utilice la herramienta en la nieve.**

Puesta en operación

1. **La herramienta de corte debe estar equipada con su protector. ¡Nunca ponga en marcha la herramienta con un protector dañado o que no esté colocado en su lugar!**
2. **Asegúrese de que no haya cables eléctricos, tubos de agua, tubos de gas, etc. que pudieran representar un peligro en caso de ser dañados por el uso de la herramienta.**

Operación

1. **Mantenga siempre las manos, la cara y las prendas lejos de la herramienta de corte mientras la herramienta está girando.** El no hacerlo podría ocasionar una lesión personal.
2. **Durante la operación, mantenga a las personas o animales alrededor a por lo menos 15 m de distancia de la herramienta. Detenga la herramienta en cuanto alguien se acerque.**
3. **Durante la operación, nunca se coloque sobre una superficie inestable o resbalosa o una pendiente inclinada. Durante las estaciones de frío, tenga cuidado con el hielo y la nieve y siempre asegúrese de pisar sobre suelo firme.**
4. **Nunca trabaje sobre una escalera o en un árbol, para evitar la pérdida de control.**
5. **Cuando vaya a dejar la herramienta desatendida, aunque sea por poco tiempo, extraiga siempre el cartucho de batería.** Si la herramienta se deja desatendida con el cartucho de batería instalado, alguna persona no autorizada podría utilizarla y provocar un accidente grave.
6. **Antes de arrancar la herramienta, asegúrese de que la herramienta de corte no esté tocando el suelo, así como otros obstáculos como un árbol.**
7. **Durante la operación, inspeccione con frecuencia el aditamento de corte para comprobar si está agrietado o dañado. Antes de la inspección, retire el cartucho de batería y espere hasta que el aditamento de corte se detenga por completo. Reemplace el aditamento de corte dañado de inmediato, incluso si solo tiene grietas superficiales.**

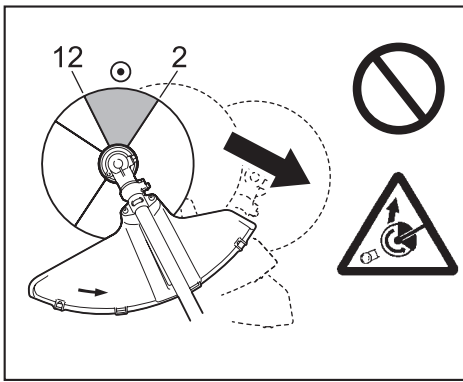
8. **No opere la herramienta en mal clima o si existe el riesgo de rayos.**
9. **Durante la operación, siempre sostenga la herramienta con ambas manos. Nunca sostenga la herramienta con una mano durante el uso.**
10. **Durante la operación, utilice el arnés para hombro. Mantenga la herramienta de su lado derecho con firmeza.**
11. **No toque la caja de engranajes durante e inmediatamente después de la operación.** La caja de engranajes se calienta durante la operación y puede causar una lesión por quemadura.
12. **Tome un descanso para evitar la pérdida de control a causa de la fatiga.** Recomendamos tomar de 10 minutos a 20 minutos de descanso cada hora.
13. **Cuando utilice la herramienta sobre suelo embarrado, inclinaciones mojadas o superficies resbalosas, tenga cuidado al pisar.**
14. **Evite trabajar en un entorno deficiente donde sea probable que aumente la fatiga del usuario.**
15. **No utilice la herramienta cuando las condiciones climáticas no sean buenas y la visibilidad sea limitada.** En caso contrario se podrían ocasionar caídas u operaciones incorrectas debido a la baja visibilidad.
16. **No sumerja la herramienta en los charcos.**
17. **No deje la herramienta desatendida a la intemperie bajo la lluvia.**
18. **Cuando debido a la lluvia se adhieran hojas mojadas o tierra a la abertura de succión (ventana de ventilación), retirelas.**
19. **No utilice la herramienta en la nieve.**

Herramientas de corte

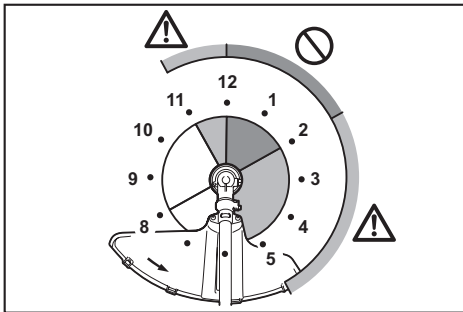
1. **Cuando utilice cuchillas de corte, evite los retrocesos bruscos y siempre esté preparado para un retroceso brusco accidental. Consulte la sección sobre retroceso brusco.**
2. **Coloque la cubierta de la cuchilla sobre la cuchilla cuando no la utilice. Retire la cubierta antes de la operación.**

Retroceso brusco (propulsión de la cuchilla)

1. **El retroceso brusco (propulsión de la cuchilla) es una reacción repentina a una cuchilla de corte cuando queda atrapada o aprisionada. Una vez que ocurre, la herramienta sale lanzada lateralmente o hacia el operador con gran fuerza y puede causar lesiones graves.**
2. **El retroceso brusco ocurre particularmente al colocar el segmento de la cuchilla en un objeto sólido, arbustos y árboles con un diámetro de 3 cm o más en un ángulo que en un reloj estaría representado entre las 12 y las 2 en punto.**



3. Para evitar un retroceso brusco:
 1. Coloque el segmento de la cuchilla en un ángulo que en un reloj estaría representado entre las 8 y las 11 en punto.
 2. Nunca coloque el segmento del ángulo que en un reloj estaría representado entre las 12 y las 2 en punto.
 3. Nunca coloque el segmento entre el ángulo que en un reloj estaría representado entre las 11 y las 12 en punto ni entre las 2 y las 5 en punto, a menos que el operador esté bien capacitado, tenga suficiente experiencia y lo haga bajo su propio riesgo.
 4. Nunca utilice las cuchillas de corte cerca de objetos sólidos tales como cercas, paredes, troncos de árboles y piedras.
 5. Nunca utilice las cuchillas de corte verticalmente para realizar operaciones tales como recortar bordes o podar cercos de setos.



Vibración

1. Las personas con mala circulación que estén expuestas a una vibración excesiva podrían sufrir lesiones en los vasos sanguíneos o en el sistema nervioso. La vibración podría causar los siguientes síntomas en los dedos, manos o muñecas: "Adormecimiento" (entumecimiento), hormigueo, dolor, sensaciones de punzadas, alteraciones en la piel o en el color de ésta. Si cualquiera de estos síntomas ocurre, ¡vaya a ver a un médico!

2. Para reducir el riesgo de la "enfermedad del dedo blanco", mantenga sus manos calientes durante la operación y mantenga en buen estado la herramienta y los accesorios.

Transporte

1. Antes de transportar la herramienta, apáguela y extraiga el cartucho de batería. Coloque la cubierta a la cuchilla de corte.

Mantenimiento

1. Antes de realizar cualquier trabajo de mantenimiento, reparación o limpieza de la herramienta, apáguela siempre y retire el cartucho de batería.
2. Cuando vaya a manipular una cuchilla de corte, use siempre guantes y coloque la cubierta de la cuchilla sobre la cuchilla.
3. Mantenga los mangos secos, limpios, y libres de aceite y grasa. Mantenga todas las entradas de aire despejadas de residuos.
4. No lave la herramienta con agua a alta presión.
5. Al lavar la herramienta, no permita que el agua entre en el mecanismo eléctrico, como la batería, el motor y los terminales.
6. Realice las inspecciones y labores de mantenimiento en un sitio protegido de la lluvia.
7. Después de utilizar la herramienta, quite la suciedad adherida y séquela completamente antes de guardarla. Dependiendo de la estación o de la zona, existe el riesgo de un mal funcionamiento por congelación.

Almacenamiento

1. Antes de almacenar la herramienta, realice una limpieza completa y dele mantenimiento. Retire el cartucho de batería. Coloque la cubierta a la cuchilla de corte.
2. Almacene la herramienta en un lugar seco, en alto y bajo llave fuera del alcance de los niños.
3. Almacene la herramienta lejos de la lluvia y la luz directa del sol y en un sitio donde no haga calor ni haya humedad.

Símbolos

A continuación se muestran los símbolos utilizados para la herramienta.

V	volts o voltios
— — —	corriente directa o continua

Instrucciones importantes de seguridad para el cartucho de batería

1. Antes de utilizar el cartucho de batería, lea todas las instrucciones e indicaciones de precaución en el (1) el cargador de batería, (2) la batería, y (3) el producto con el que se utiliza la batería.
2. No desarme ni modifique el cartucho de batería. Podría ocurrir un incendio, calor excesivo o una explosión.
3. Si el tiempo de operación se ha acortado en exceso, deje de operar de inmediato. Podría correrse el riesgo de sobrecalentamiento, posibles quemaduras e incluso explosión.
4. En caso de que ingresen electrolitos en sus ojos, enjuáguelos bien con agua limpia y consulte de inmediato a un médico. Esto podría ocasionar pérdida de visión.
5. Evite cortocircuitar el cartucho de batería:
 - (1) No toque las terminales con ningún material conductor.
 - (2) Evite guardar el cartucho de batería en un cajón junto con otros objetos metálicos, tales como clavos, monedas, etc.
 - (3) No exponga el cartucho de batería al agua o la lluvia.

Un cortocircuito en la batería puede causar un flujo grande de corriente, sobrecalentamiento, posibles quemaduras e incluso una descompostura.

6. No guarde ni utilice la herramienta y el cartucho de batería en lugares donde la temperatura pueda alcanzar o exceder los 50 °C (122 °F).
7. Nunca incinere el cartucho de batería incluso en el caso de que esté dañado seriamente o ya no sirva en absoluto. El cartucho de batería puede explotar si se tira al fuego.
8. No clave, corte, aplaste, lance o deje caer el cartucho de batería, ni golpee un objeto sólido contra el cartucho de batería. Dicha acción podría resultar en un incendio, calor excesivo o en una explosión.
9. No use una batería dañada.
10. Las baterías de ión de litio están sujetas a los requisitos reglamentarios en materia de bienes peligrosos.

Para el transporte comercial, por ej., mediante terceros o agentes de transporte, se deben tomar en cuenta los requisitos especiales relativos al empaque y el etiquetado.

Para efectuar los preparativos del artículo que se va a enviar, se requiere consultar a un experto en materiales peligrosos. Si es posible, consulte además otras regulaciones nacionales más detalladas.

Pegue o cubra con cinta adhesiva los contactos abiertos y empaque la batería de manera que ésta no pueda moverse dentro del paquete.
11. Para deshacerse del cartucho de batería, sáquelo de la herramienta y deséchelo en un lugar seguro. Siga las regulaciones locales relacionadas al desecho de las baterías.

12. Utilice las baterías únicamente con los productos especificados por Makita. Instalar las baterías en productos que no cumplan con los requisitos podría ocasionar un incendio, un calentamiento excesivo, una explosión o una fuga de electrolito.
13. Si no se utiliza la herramienta por un período largo, debe extraerse la batería de la herramienta.
14. El cartucho de batería podría absorber calor durante y después de su uso, lo que ocasionaría quemaduras o quemaduras a baja temperatura. Tenga cuidado con la manipulación de los cartuchos de batería que estén calientes.
15. No toque el terminal de la herramienta inmediatamente después de su uso, ya que el mismo podría estar lo suficientemente caliente como para provocarle quemaduras.
16. No permita que las rebabas, el polvo o la tierra queden atrapados en los terminales, orificios y ranuras del cartucho de batería. Esto podría ocasionar un desempeño deficiente o descompostura de la herramienta o del cartucho de batería.
17. No utilice el cartucho de batería cerca de cables eléctricos de alto voltaje, a menos que la herramienta sea compatible con el uso cercano a estos cables eléctricos de alto voltaje. Esto podría ocasionar una avería o descompostura de la herramienta o del cartucho de batería.
18. Mantenga la batería alejada de los niños.

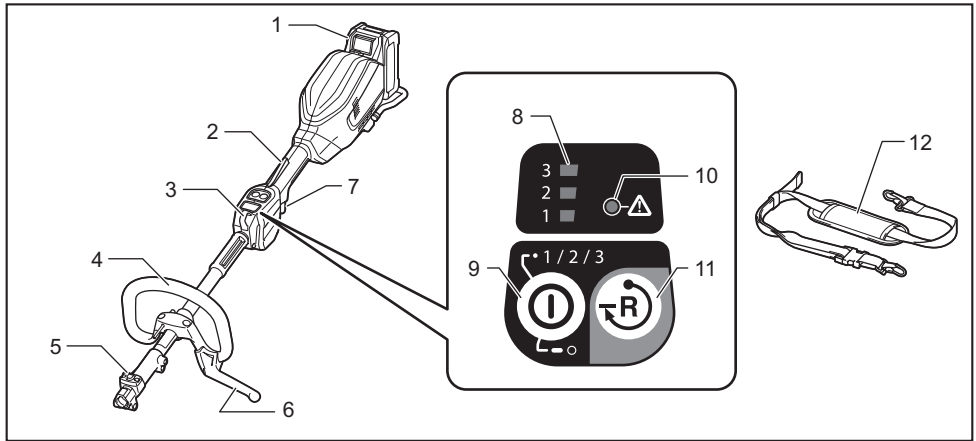
GUARDE ESTAS INSTRUCCIONES.

⚠PRECAUCIÓN: Utilice únicamente baterías originales de Makita. El uso de baterías no originales de Makita, o de baterías alteradas, puede ocasionar que las baterías exploten causando un incendio, lesiones personales y daños. Asimismo, esto invalidará la garantía de Makita para la herramienta y el cargador Makita.

Consejos para alargar al máximo la vida útil de la batería

1. Cargue el cartucho de batería antes de que se descargue completamente. Pare siempre la operación y cargue el cartucho de batería cuando note menos potencia en la herramienta.
2. No cargue nunca un cartucho de batería que esté completamente cargado. La sobrecarga acortará la vida de servicio de la batería.
3. Cargue el cartucho de batería a una temperatura ambiente de 10 °C - 40 °C (50 °F - 104 °F). Si un cartucho de batería está caliente, déjelo enfriar antes de cargarlo.
4. Cuando no utilice el cartucho de batería, sáquelo de la herramienta o del cargador.
5. Cargue el cartucho de batería si no va a utilizarlo durante un período prolongado (más de seis meses).

DESCRIPCIÓN DE LAS PIEZAS



1	Cartucho de batería	2	Palanca de desbloqueo	3	Colgador	4	Mango
5	Botón de liberación	6	Traba	7	Gatillo interruptor	8	Indicador de velocidad
9	Botón de encendido principal	10	Luz indicadora de precaución	11	Botón de inversión	12	Arnés para hombro

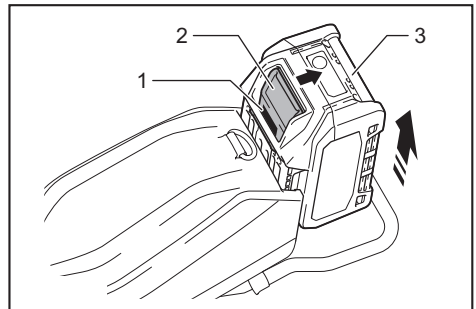
DESCRIPCIÓN DEL FUNCIONAMIENTO

⚠ADVERTENCIA: Asegúrese siempre de que la herramienta esté apagada y que el cartucho de batería haya sido extraído antes de realizar cualquier ajuste o revisión del funcionamiento de la herramienta. El no seguir esta indicación de apagar y quitar el cartucho de batería puede ocasionar lesiones personales graves debido al encendido accidental.

Instalación o extracción del cartucho de batería

⚠PRECAUCIÓN: Apague siempre la herramienta antes de colocar o quitar el cartucho de batería.

⚠PRECAUCIÓN: Sujete la herramienta y el cartucho de la batería con firmeza al colocar o quitar el cartucho de batería. Si no se sujeta con firmeza la herramienta y el cartucho de batería, puede ocasionar que se resbalen de sus manos causando daños a la herramienta y al cartucho de batería, así como lesiones a la persona.



► 1. Indicador rojo 2. Botón 3. Cartucho de batería

Para quitar el cartucho de batería, deslicelo de la herramienta mientras desliza el botón sobre la parte delantera del cartucho.

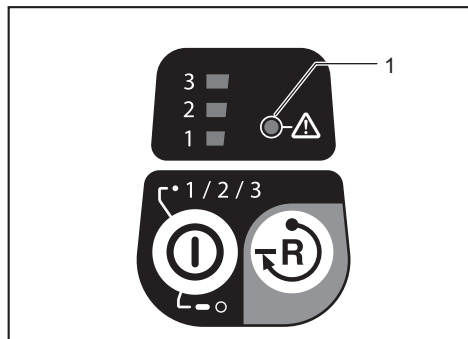
Para colocar el cartucho de batería, alinee la lengüeta sobre el cartucho de batería con la ranura en la carcasa y deslice en su lugar. Inserte por completo hasta que se fije en su lugar con un pequeño clic. Si puede ver el indicador rojo del lado superior del botón, esto indica que no ha quedado fijo por completo.

⚠PRECAUCIÓN: Introduzca siempre completamente el cartucho de batería hasta que el indicador rojo no pueda verse. Si no, podría accidentalmente salirse de la herramienta y caer al suelo causando una lesión a usted o alguien a su alrededor.

⚠PRECAUCIÓN: No instale el cartucho de batería a la fuerza. Si el cartucho no se desliza al interior fácilmente, se debe a que no está siendo insertado correctamente.

Sistema de protección para la herramienta/batería

La herramienta está equipada con un sistema de protección para la herramienta/batería. Este sistema corta automáticamente la alimentación al motor para prolongar la vida de la herramienta y la batería. La herramienta se detendrá automáticamente durante la operación si ésta se somete a alguna de las siguientes condiciones:



► 1. Luz indicadora de precaución

Luz indicadora de precaución			Estado
Color	● Encendido	● Parpadeando	
Verde		●	Sobrecarga
Rojo	● (herramienta) / ● (batería)		Sobrecalentamiento
Rojo		●	Sobredescarga

Protección contra sobrecarga

Si la herramienta o la batería presentan una de las siguientes situaciones, la herramienta se detendrá automáticamente y la luz de precaución parpadeará en color verde:

- La herramienta se sobrecarga cuando se enreda maleza u otros residuos.
- La herramienta de corte se bloquea o tiene un retroceso brusco.
- El botón de encendido principal se enciende mientras se está jalando el gatillo interruptor.

En esta situación, suelte el gatillo interruptor y quite la maleza u otros residuos enredados si es necesario.

Después de esto, vuelva a jalar el gatillo interruptor para reanudar el funcionamiento.

⚠PRECAUCIÓN: Si necesita extraer la maleza enredada en la herramienta o liberar la herramienta de corte bloqueada, asegúrese de haber apagado la herramienta antes de iniciar.

Protección contra el sobrecalentamiento de la herramienta o la batería

Si la herramienta o el cartucho de batería se sobrecalientan, la herramienta se detendrá automáticamente. Cuando la herramienta se sobrecalienta, la luz indicadora de precaución se ilumina en rojo. Cuando el cartucho de batería se sobrecalienta, la luz indicadora de precaución parpadea en rojo. Permita que la herramienta y/o la batería se enfríen antes de volver a encender la herramienta.

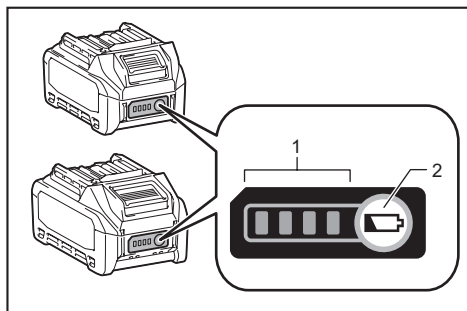
Protección en caso de sobredescarga

Cuando la capacidad de la batería se reduzca, la herramienta se detendrá automáticamente y la luz indicadora de precaución empezará a parpadear en color rojo.

Si la herramienta no funciona incluso cuando los interruptores están siendo operados, retire el cartucho de batería de la herramienta y cárguelo.

Indicación de la capacidad restante de la batería

Oprima el botón de verificación en el cartucho de la batería para que indique la capacidad restante de la batería. Las luces indicadoras se iluminarán por algunos segundos.



► 1. Luces indicadoras 2. Botón de verificación

Luces indicadoras			Capacidad restante
■ Iluminadas	□ Apagadas	▬ Parpadeando	
■ ■ ■ ■			75% a 100%
■ ■ ■ □			50% a 75%
■ ■ □ □			25% a 50%
■ □ □ □			0% a 25%
▬ □ □ □			Cargar la batería.
■ ■ □ □			La batería pudo haber funcionado mal.
□ □ ■ ■			

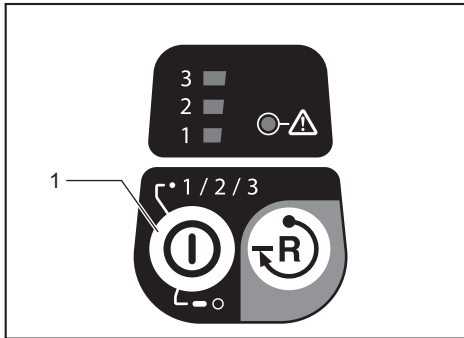
NOTA: Dependiendo de las condiciones de uso y la temperatura ambiente, la indicación podrá diferir ligeramente de la capacidad real.

NOTA: La primera luz indicadora (extrema izquierda) parpadeará cuando el sistema de protección de batería esté en funcionamiento.

Interruptor de alimentación principal

⚠ADVERTENCIA: Desactive siempre el interruptor de encendido principal cuando no vaya a utilizar la herramienta.

Oprima el botón de encendido principal para encender la herramienta. Para apagar la herramienta, mantenga oprimido el botón de encendido principal hasta que los indicadores de velocidad se apaguen.



► 1. Botón de encendido principal

NOTA: La luz de precaución parpadeará si el gatillo interruptor es jalado bajo condiciones no operables. La luz de precaución parpadeará si usted activa el interruptor de encendido principal mientras mantiene presionados la palanca de desbloqueo y el gatillo interruptor.

NOTA: Esta herramienta emplea la función de apagado automático. Para evitar un arranque accidental, el interruptor de encendido principal se desactivará automáticamente cuando el gatillo interruptor no haya sido jalado durante cierto período después de haber activado el interruptor de encendido principal.

Accionamiento del interruptor

⚠ADVERTENCIA: Por su seguridad, esta herramienta está equipada con una palanca de desbloqueo para evitar que la herramienta se ponga en marcha accidentalmente. **NUNCA** use la herramienta si se pone en marcha simplemente al jalar el gatillo interruptor sin haber presionado la palanca de desbloqueo. Lleve la herramienta a nuestro centro de servicio autorizado para una reparación adecuada **ANTES** de seguir usándola.

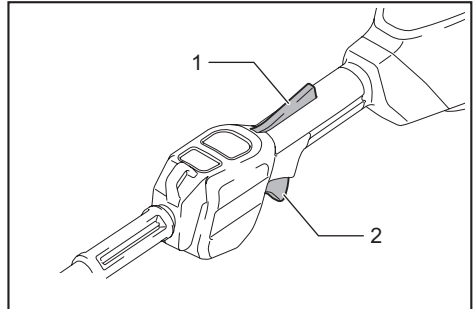
⚠ADVERTENCIA: **NUNCA** tape con cinta ni anule el propósito y función de la palanca de desbloqueo.

⚠PRECAUCIÓN: Antes de insertar el cartucho de batería en la herramienta, compruebe siempre y cerciórese de que el gatillo interruptor se acciona debidamente y que vuelve a la posición "OFF" (apagado) cuando lo suelta.

⚠PRECAUCIÓN: Nunca coloque su dedo en el botón de encendido principal y en el gatillo interruptor cuando transporte la herramienta. La herramienta podría ponerse en marcha accidentalmente y ocasionar una lesión.

AVISO: No jale fuerte el gatillo interruptor sin presionar la palanca de desbloqueo. Esto podría dañar el interruptor.

Para evitar que el gatillo interruptor sea jalado accidentalmente, se proporciona una palanca de desbloqueo.

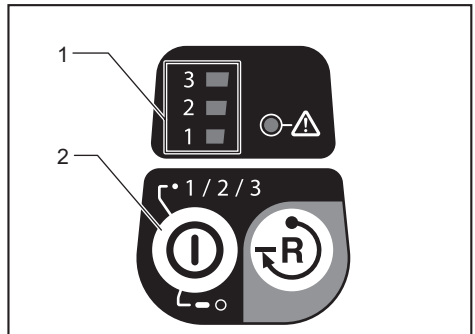


► 1. Palanca de desbloqueo 2. Gatillo interruptor










Para arrancar la herramienta, active el interruptor de encendido principal y sujete el mango (la palanca de desbloqueo es liberada al sujetarlo) y luego jale el gatillo interruptor. La velocidad de la herramienta aumentará al incrementar la presión sobre el gatillo interruptor. Para detener la herramienta, suelte el gatillo interruptor.

Ajuste de velocidad

Puede seleccionar la velocidad de la herramienta pulsando el botón de encendido principal. Cada vez que toque el botón de encendido principal, el nivel de velocidad cambiará.



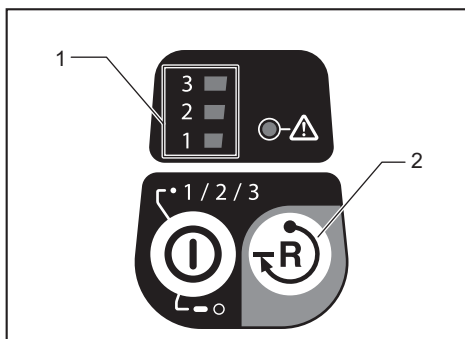
► 1. Indicador de velocidad 2. Botón de encendido principal

Indicador de velocidad	Modo
3  2  1 	Alta
3  2  1 	Media
3  2  1 	Baja

Botón de inversión para la eliminación de residuos

⚠️ ADVERTENCIA: Apague la herramienta y retire el cartucho de batería antes de quitar la maleza o residuos que se hayan enredado y que no se puedan quitar con la función de rotación inversa. El no seguir esta indicación de apagar y quitar el cartucho de batería puede ocasionar lesiones personales graves debido al encendido accidental.

Esta herramienta cuenta con un botón de inversión para cambiar la dirección de rotación. Su única función es la de eliminar la maleza y residuos enredados en la herramienta. Para invertir la rotación, pulse el botón de inversión y jale el gatillo interruptor mientras oprime la palanca de desbloqueo cuando la herramienta de corte se haya detenido. Los indicadores de velocidad comenzarán a parpadear y la herramienta de corte girará en dirección inversa al jalar el gatillo interruptor. Para regresar a la rotación normal, suelte el gatillo y espere hasta que la herramienta de corte se detenga.



► 1. Indicador de velocidad 2. Botón de inversión

NOTA: Durante la rotación inversa, la herramienta sólo funcionará durante un breve lapso de tiempo y luego se detendrá automáticamente.

NOTA: Una vez que se haya detenido la herramienta, la rotación regresará a la dirección normal cuando ponga nuevamente en marcha la herramienta.

NOTA: Si pulsa el botón de inversión mientras la herramienta de corte está girando, la herramienta se detendrá y se preparará para la rotación inversa.

Función electrónica de control de torsión

La herramienta detecta electrónicamente una caída repentina en la velocidad de rotación que podría causar un retroceso brusco. En este caso, la herramienta se detendrá en forma automática para evitar que la herramienta de corte siga girando. Para volver a arrancar la herramienta, suelte el gatillo interruptor. Elimine la causa de la caída repentina en la velocidad de rotación y luego encienda la herramienta.

NOTA: Esta función no es una medida preventiva para los retrocesos bruscos.

Freno eléctrico

Esta herramienta está equipada con un freno eléctrico. Si de manera consistente la herramienta no logra detenerse rápidamente después de soltar el gatillo interruptor, lleve la herramienta a nuestro centro de servicio para que le den mantenimiento.

⚠️ PRECAUCIÓN: Este sistema de frenado no es un sustituto para el protector. Nunca utilice la herramienta sin el protector. El uso de una herramienta de corte sin el protector puede ocasionar graves lesiones personales.

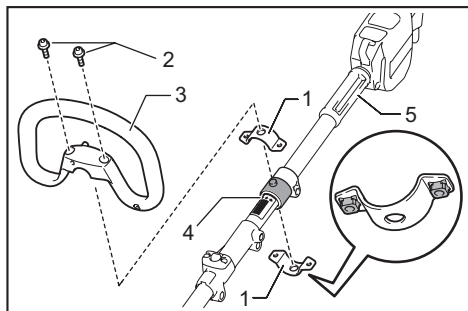
MONTAJE

⚠️ ADVERTENCIA: Asegúrese siempre de que la herramienta esté apagada y que el cartucho de batería haya sido extraído antes de realizar cualquier trabajo en la herramienta. El no seguir esta indicación de apagar y quitar el cartucho de batería puede ocasionar lesiones personales graves debido al encendido accidental.

⚠️ ADVERTENCIA: Nunca arranque la herramienta a menos que se encuentre completamente ensamblada. La operación de la herramienta en un estado de ensamble parcial puede ocasionar lesiones personales graves en caso de un arranque accidental.

Montaje del mango

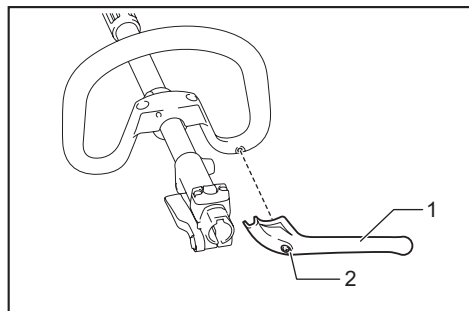
Coloque el mango usando las abrazaderas y pernos suministrados. Asegúrese de que el mango esté ubicado entre el separador y la marca de flecha. No quite ni reduzca el separador.



► 1. Abrazadera 2. Perno de cabeza hueca hexagonal 3. Mango 4. Marca de flecha 5. Separador

Cuando utilice los siguientes accesorios, asegúrese de colocar la traba al mango mediante el tornillo de la traba.

- Accesorio para desbrozadora *
 - Accesorio de desbrozadora *
 - Accesorio Rebordeador
- *. Solamente cuando se coloque la cuchilla metálica.



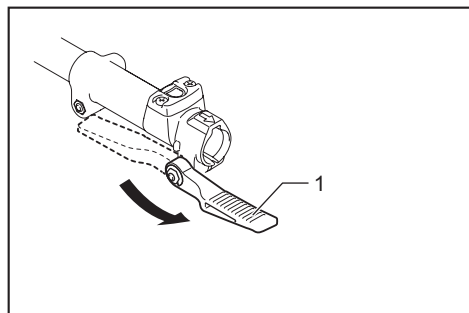
► 1. Traba 2. Tornillo

Ensamble del aditamento del tubo

⚠PRECAUCIÓN: Verifique siempre que el aditamento del tubo quede asegurado después de la instalación. Una instalación incorrecta podría causar que el aditamento se desprendiera de la unidad motorizada ocasionando alguna lesión personal.

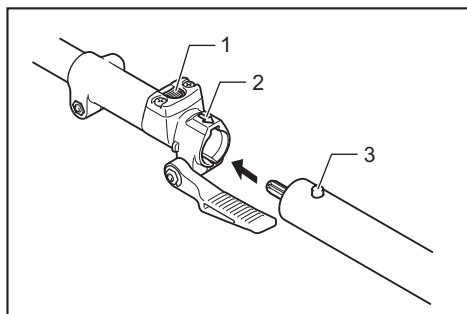
Ensamble el aditamento del tubo en la unidad motorizada.

1. Gire la palanca de la unidad motorizada hacia el lado del accesorio.



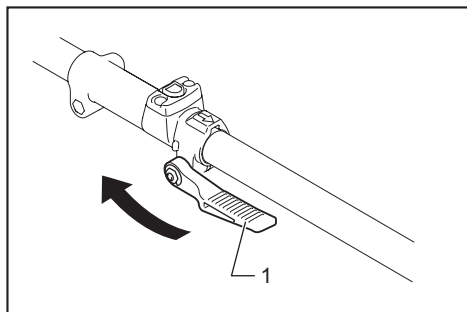
► 1. Palanca

2. Retire la tapa del accesorio. Alinee el pasador con la marca de flecha e inserte el aditamento del tubo hasta que el botón de liberación aparezca.



► 1. Botón de liberación 2. Marca de flecha
3. Pasador

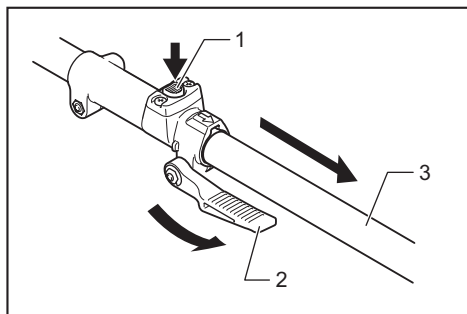
3. Gire la palanca hacia el lado de la unidad motorizada.



► 1. Palanca

Asegúrese de que la superficie de la palanca se encuentre paralela al tubo.

Para extraer el tubo, gire la palanca hacia el lado del accesorio y jale el tubo hacia afuera mientras presiona hacia abajo el botón de liberación.

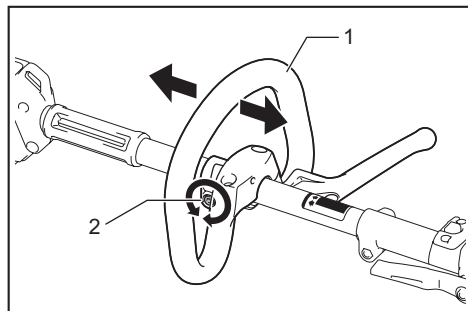


► 1. Botón de liberación 2. Palanca 3. Tubo

Ajuste de la posición del mango

Ajuste la posición del mango para poder manipular de manera cómoda la herramienta.

Afloje el perno de cabeza hueca hexagonal en el mango. Desplace el mango a una posición de trabajo cómoda y luego apriete el perno.



► 1. Mango 2. Perno de cabeza hueca hexagonal

Instalación del arnés para hombro

⚠ADVERTENCIA: Sea extremadamente cuidadoso en mantener el control de la herramienta en todo momento. No permita que la herramienta se desvíe hacia usted ni hacia otra persona alrededor. El no mantener el control de la herramienta podría ocasionar lesiones graves a las personas alrededor y al operador.

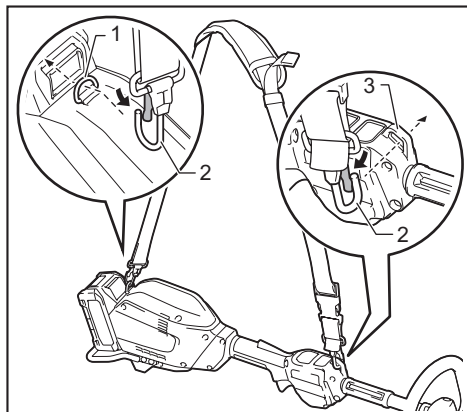
⚠PRECAUCIÓN: Cuando use la herramienta en combinación con la fuente de alimentación tipo mochila, como una unidad portátil de alimentación eléctrica, no use el arnés para hombro incluido en el paquete de la herramienta, pero use la banda para colgado recomendada por Makita.

Si se pone el arnés para hombro incluido en el paquete de la herramienta y el arnés para hombro de la fuente de alimentación tipo mochila al mismo tiempo, se dificultará retirar la herramienta o la fuente de alimentación tipo mochila en caso de emergencia, y podría causar un accidente o una lesión. Para la banda para colgado recomendada, pregunte a los centros de servicio autorizado de Makita.

⚠PRECAUCIÓN: Siempre lleve puesto el arnés para hombro colocado en la herramienta. Antes de la operación, ajuste el arnés para hombro de acuerdo al tamaño del usuario para evitar la fatiga.

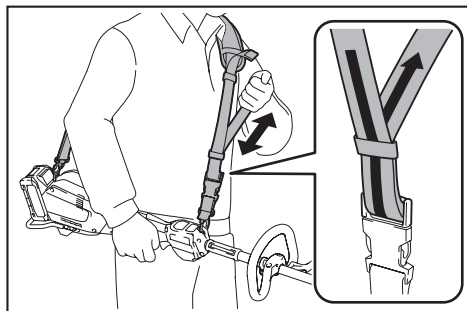
⚠PRECAUCIÓN: Antes de la operación, asegúrese de que el arnés para hombro esté colocado correctamente a la herramienta.

1. Abroche el gancho del arnés para hombro en el anillo y el colgador de la herramienta.



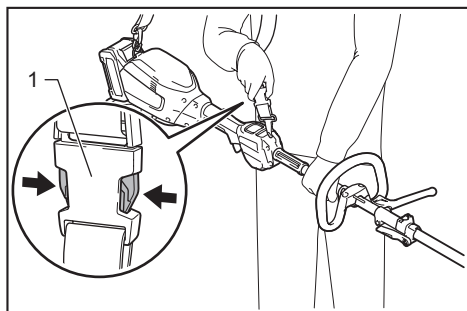
► 1. Anillo 2. Gancho 3. Colgador

2. Póngase el arnés para hombro en su hombro izquierdo. Ajuste el arnés para hombro en una posición cómoda para trabajar.



El arnés para hombro cuenta con un medio de liberación rápida.

Simplemente apriete los lados de la hebilla para liberar la herramienta del arnés para hombro.

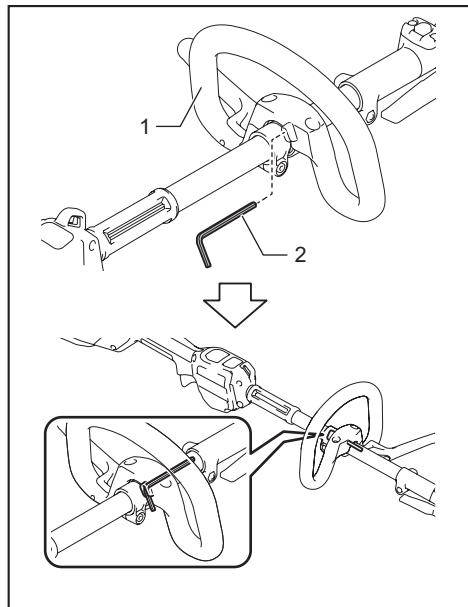


► 1. Hebilla

Almacenamiento de la llave Allen (hexagonal)

⚠PRECAUCIÓN: Tenga cuidado de no dejar la llave hexagonal insertada en el cabezal de la herramienta. Esto podría ocasionar lesiones y/o daños a la herramienta.

Cuando no se utilice, guarde la llave hexagonal en su lugar tal como se muestra en la ilustración para evitar que se pierda.



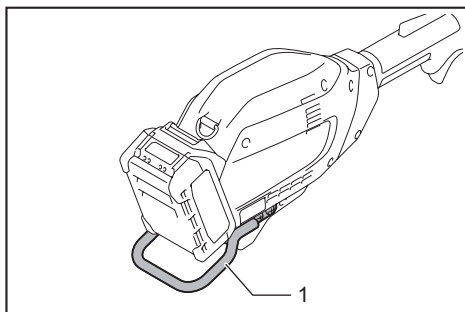
► 1. Mango 2. Llave hexagonal

Limpieza de la herramienta

Limpie la herramienta quitando el polvo, la tierra o los residuos de pasto con un paño seco o un paño humedecido en agua y jabón y exprimido. Para evitar el sobrecalentamiento de la herramienta, cerciórese de retirar los residuos de pasto o los residuos adheridos a la abertura de ventilación de la herramienta.

Protector de la batería

⚠ADVERTENCIA: No retire el protector de la batería. No utilice la herramienta si el protector de la batería ha sido retirado o está dañado. Un impacto directo al cartucho de batería podría causar que éste se averiara y ocasionar una lesión y/o un incendio. Si el protector de la batería está deformado o dañado, póngase en contacto con su centro de servicio autorizado para que lo reparen.



► 1. Protector de la batería

MANTENIMIENTO

⚠ADVERTENCIA: Asegúrese siempre de que la herramienta esté apagada y que el cartucho de batería haya sido extraído antes de intentar realizar una inspección o mantenimiento en la herramienta. El no seguir esta indicación de apagar y quitar el cartucho de batería puede ocasionar lesiones personales graves debido al encendido accidental.

AVISO: Nunca use gasolina, bencina, diluyente (tíner), alcohol o sustancias similares. Puede que esto ocasione grietas o descoloramiento.

Para mantener la SEGURIDAD y FIABILIDAD del producto, las reparaciones, y cualquier otra tarea de mantenimiento o ajuste deberán ser realizadas en centros de servicio autorizados o de fábrica Makita, empleando siempre repuestos Makita.

RESOLUCIÓN DE PROBLEMAS

Antes de solicitar alguna reparación, primero realice una inspección por su cuenta. Si detecta algún problema que no esté explicado en el manual, no intente desensamblar la herramienta. En vez de esto, solicite la reparación a un centro de servicio autorizado de Makita, usando siempre piezas de repuesto Makita.

Estado de la anomalía	Causa probable (avería)	Remedio
El motor no funciona.	El cartucho de batería no está instalado.	Instale el cartucho de batería.
	Problema con la batería (bajo voltaje)	Recargue la batería. Si la recarga no es efectiva, reemplace la batería.
	El sistema de accionamiento no funciona correctamente.	Solicite la reparación en el centro de servicio autorizado de su localidad.
El motor deja de funcionar después de un rato de uso.	La rotación es en reversa.	Cambie la dirección de rotación con el interruptor de rotación invertida.
	El nivel de carga de la batería es bajo.	Recargue la batería. Si la recarga no es efectiva, reemplace la batería.
	Sobrecalentamiento.	Deje de usar la herramienta para permitir que se enfríe.
No se alcanza el nivel máximo de RPM.	La batería está mal instalada.	Instale el cartucho de batería como se describe en este manual.
	La potencia de la batería se está reduciendo.	Recargue la batería. Si la recarga no es efectiva, reemplace la batería.
	El sistema de accionamiento no funciona correctamente.	Solicite la reparación en el centro de servicio autorizado de su localidad.

ACCESORIOS OPCIONALES

⚠️ PRECAUCIÓN: Estos accesorios o aditamentos están recomendados para utilizarse con su herramienta Makita especificada en este manual.

El empleo de cualquier otro accesorio o aditamento puede conllevar el riesgo de lesiones personales. Utilice los accesorios o aditamentos solamente para su fin establecido.

Si necesita cualquier ayuda para más detalles en relación con estos accesorios, pregunte a su centro de servicio local Makita. Consulte la sección "Accesorio aprobado" para ver los modelos aplicables para esta herramienta.

- Accesorio para Desbrozadora
- Accesorio para Desbrozadora
- Accesorio de Desbrozadora
- Accesorio para Cortasetos
- Accesorio de Corte a Ras de Piso
- Accesorio para Sierra de Extensión
- Accesorio para Cultivador
- Accesorio Rebordeador
- Accesorio para Cosecha de Café
- Extensión del eje
- Accesorio de Cepillado Motorizado
- Accesorio Barredor Motorizado
- Aditamento para soplador
- Batería y cargador originales de Makita

NOTA: Algunos de los artículos en la lista pueden incluirse en el paquete de la herramienta como accesorios estándar. Éstos pueden variar de país a país.

GARANTÍA LIMITADA DE MAKITA

Ésta Garantía no aplica para México

Consulte la hoja de la garantía anexa para ver los términos más vigentes de la garantía aplicable a este producto. En caso de no disponer de esta hoja de garantía anexa, consulte los detalles sobre la garantía descritos en el sitio web de su país respectivo indicado a continuación.

Estados Unidos de América: www.makitatools.com

Canadá: www.makita.ca

Otros países: www.makita.com

< USA only >

WARNING

Some dust created by power sanding, sawing, grinding, drilling, and other construction activities contains chemicals known to the State of California to cause cancer, birth defects or other reproductive harm. Some examples of these chemicals are:

- lead from lead-based paints,
- crystalline silica from bricks and cement and other masonry products, and
- arsenic and chromium from chemically-treated lumber.

Your risk from these exposures varies, depending on how often you do this type of work. To reduce your exposure to these chemicals: work in a well ventilated area, and work with approved safety equipment, such as those dust masks that are specially designed to filter out microscopic particles.

< Sólo en los Estados Unidos >

ADVERTENCIA

Algunos polvos creados por el lijado, aserrado, esmerilado, taladrado y otras actividades de la construcción contienen sustancias químicas reconocidas por el Estado de California como causantes de cáncer, defectos de nacimiento y otros peligros de reproducción. Algunos ejemplos de estos productos químicos son:

- plomo de pinturas a base de plomo,
- sílice cristalino de ladrillos y cemento y otros productos de albañilería, y
- arsénico y cromo de maderas tratadas químicamente.

El riesgo al que se expone varía, dependiendo de la frecuencia con la que realice este tipo de trabajo. Para reducir la exposición a estos productos químicos: trabaje en un área bien ventilada y póngase el equipo de seguridad indicado, tal como las máscaras contra polvo que están especialmente diseñadas para filtrar partículas microscópicas.

Makita Corporation

3-11-8, Sumiyoshi-cho,
Anjo, Aichi 446-8502 Japan

www.makita.com

885830-933
UX01G-1
EN, FRCA, ESMX
20200917