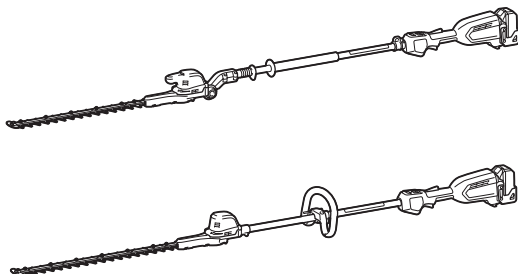


INSTRUCTION MANUAL  
MANUEL D'INSTRUCTION  
MANUAL DE INSTRUCCIONES



# Cordless Pole Hedge Trimmer Taille Haie Sur Perche Sans-Fil Cortasetos de Extensión Inalámbrico

DUN500W  
DUN600L



**IMPORTANT:** Read Before Using.

**IMPORTANT :** Lire avant usage.

**IMPORTANTE:** Lea antes de usar.

## SPECIFICATIONS

| Model:              | DUN500W                      | DUN600L                      |
|---------------------|------------------------------|------------------------------|
| Blade length        | 500 mm (19-3/4")             | 600 mm (23-5/8")             |
| Strokes per minute  | 2,000 / 3,600 / 4,400 /min   |                              |
| Cutting blade angle | 115° (up 45°, down 70°)      | –                            |
| Overall length      | 2,115 mm (83-1/4")           | 2,050 mm (80-1/2")           |
| Rated voltage       | D.C. 18 V                    |                              |
| Net weight          | 3.9 - 4.2 kg (8.6 - 9.3 lbs) | 3.7 - 4.0 kg (8.2 - 8.8 lbs) |

- Due to our continuing program of research and development, the specifications herein are subject to change without notice.
- Specifications may differ from country to country.
- The weight may differ depending on the attachment(s), including the battery cartridge. The lightest and heaviest combination, according to EPTA-Procedure 01/2014, are shown in the table.

## Applicable battery cartridge, battery adapter and charger

|                   |  |
|-------------------|--|
| Battery cartridge | BL1815N / BL1820B / BL1830 / BL1830B / BL1840B / BL1850B / BL1860B |
| Battery adapter   | PDC01  |
| Charger           | DC18RC / DC18RD / DC18RE / DC18SD / DC18SE / DC18SF                |

- Some of the battery cartridges, battery adapters and chargers listed above may not be available depending on your region of residence.
- Before using the battery adapter, read instruction and cautionary markings on the battery adapter.

**⚠WARNING:** Only use the battery cartridges, battery adapters and chargers listed above. Use of any other battery cartridges, battery adapters and chargers may cause injury and/or fire.

## SAFETY WARNINGS

### General power tool safety warnings

**⚠WARNING:** Read all safety warnings, instructions, illustrations and specifications provided with this power tool. Failure to follow all instructions listed below may result in electric shock, fire and/or serious injury.

### Save all warnings and instructions for future reference.

The term "power tool" in the warnings refers to your mains-operated (corded) power tool or battery-operated (cordless) power tool.

#### Work area safety

1. **Keep work area clean and well lit.** Cluttered or dark areas invite accidents.
2. **Do not operate power tools in explosive atmospheres, such as in the presence of flammable liquids, gases or dust.** Power tools create sparks which may ignite the dust or fumes.
3. **Keep children and bystanders away while operating a power tool.** Distractions can cause you to lose control.

#### Electrical Safety

1. **Power tool plugs must match the outlet. Never modify the plug in any way. Do not use any adapter plugs with earthed (grounded) power tools.** Unmodified plugs and matching outlets will reduce risk of electric shock.
2. **Avoid body contact with earthed or grounded surfaces, such as pipes, radiators, ranges and refrigerators.** There is an increased risk of electric shock if your body is earthed or grounded.
3. **Do not expose power tools to rain or wet conditions.** Water entering a power tool will increase the risk of electric shock.
4. **Do not abuse the cord. Never use the cord for carrying, pulling or unplugging the power tool. Keep cord away from heat, oil, sharp edges or moving parts.** Damaged or entangled cords increase the risk of electric shock.
5. **When operating a power tool outdoors, use an extension cord suitable for outdoor use.** Use of a cord suitable for outdoor use reduces the risk of electric shock.
6. **If operating a power tool in a damp location is unavoidable, use a ground fault circuit interrupter (GFCI) protected supply.** Use of a GFCI reduces the risk of electric shock.

7. **Power tools can produce electromagnetic fields (EMF) that are not harmful to the user.** However, users of pacemakers and other similar medical devices should contact the maker of their device and/or doctor for advice before operating this power tool.

#### Personal Safety

1. **Stay alert, watch what you are doing and use common sense when operating a power tool. Do not use a power tool while you are tired or under the influence of drugs, alcohol or medication.** A moment of inattention while operating power tools may result in serious personal injury.
2. **Use personal protective equipment. Always wear eye protection.** Protective equipment such as dust mask, non-skid safety shoes, hard hat, or hearing protection used for appropriate conditions will reduce personal injuries.
3. **Prevent unintentional starting. Ensure the switch is in the off-position before connecting to power source and/or battery pack, picking up or carrying the tool.** Carrying power tools with your finger on the switch or energising power tools that have the switch on invites accidents.
4. **Remove any adjusting key or wrench before turning the power tool on.** A wrench or a key left attached to a rotating part of the power tool may result in personal injury.
5. **Do not overreach. Keep proper footing and balance at all times.** This enables better control of the power tool in unexpected situations.
6. **Dress properly. Do not wear loose clothing or jewellery. Keep your hair, clothing and gloves away from moving parts.** Loose clothes, jewellery or long hair can be caught in moving parts.
7. **If devices are provided for the connection of dust extraction and collection facilities, ensure these are connected and properly used.** Use of dust collection can reduce dust-related hazards.
8. **Do not let familiarity gained from frequent use of tools allow you to become complacent and ignore tool safety principles.** A careless action can cause severe injury within a fraction of a second.
9. **Always wear protective goggles to protect your eyes from injury when using power tools. The goggles must comply with ANSI Z87.1 in the USA. It is an employer's responsibility to enforce the use of appropriate safety protective equipment by the tool operators and by other persons in the immediate working area.**

#### Power tool use and care

1. **Do not force the power tool. Use the correct power tool for your application.** The correct power tool will do the job better and safer at the rate for which it was designed.
2. **Do not use the power tool if the switch does not turn it on and off.** Any power tool that cannot be controlled with the switch is dangerous and must be repaired.
3. **Disconnect the plug from the power source and/or remove the battery pack, if detachable, from the power tool before making any adjustments, changing accessories, or storing power tools.** Such preventive safety measures reduce the risk of starting the power tool accidentally.

4. **Store idle power tools out of the reach of children and do not allow persons unfamiliar with the power tool or these instructions to operate the power tool.** Power tools are dangerous in the hands of untrained users.
5. **Maintain power tools and accessories. Check for misalignment or binding of moving parts, breakage of parts and any other condition that may affect the power tool's operation. If damaged, have the power tool repaired before use.** Many accidents are caused by poorly maintained power tools.
6. **Keep cutting tools sharp and clean.** Properly maintained cutting tools with sharp cutting edges are less likely to bind and are easier to control.
7. **Use the power tool, accessories and tool bits etc. in accordance with these instructions, taking into account the working conditions and the work to be performed.** Use of the power tool for operations different from those intended could result in a hazardous situation.
8. **Keep handles and grasping surfaces dry, clean and free from oil and grease.** Slippery handles and grasping surfaces do not allow for safe handling and control of the tool in unexpected situations.
9. **When using the tool, do not wear cloth work gloves which may be entangled.** The entanglement of cloth work gloves in the moving parts may result in personal injury.

#### Battery tool use and care

1. **Recharge only with the charger specified by the manufacturer.** A charger that is suitable for one type of battery pack may create a risk of fire when used with another battery pack.
2. **Use power tools only with specifically designated battery packs.** Use of any other battery packs may create a risk of injury and fire.
3. **When battery pack is not in use, keep it away from other metal objects, like paper clips, coins, keys, nails, screws or other small metal objects, that can make a connection from one terminal to another.** Shorting the battery terminals together may cause burns or a fire.
4. **Under abusive conditions, liquid may be ejected from the battery; avoid contact. If contact accidentally occurs, flush with water. If liquid contacts eyes, additionally seek medical help.** Liquid ejected from the battery may cause irritation or burns.
5. **Do not use a battery pack or tool that is damaged or modified.** Damaged or modified batteries may exhibit unpredictable behaviour resulting in fire, explosion or risk of injury.
6. **Do not expose a battery pack or tool to fire or excessive temperature.** Exposure to fire or temperature above 130 °C may cause explosion.
7. **Follow all charging instructions and do not charge the battery pack or tool outside the temperature range specified in the instructions.** Charging improperly or at temperatures outside the specified range may damage the battery and increase the risk of fire.

## Service

1. **Have your power tool serviced by a qualified repair person using only identical replacement parts.** This will ensure that the safety of the power tool is maintained.
2. **Never service damaged battery packs.** Service of battery packs should only be performed by the manufacturer or authorized service providers.
3. **Follow instruction for lubricating and changing accessories.**
4. **Do not modify or attempt to repair the appliance or the battery pack except as indicated in the instructions for use and care.**

## Cordless Pole Hedge Trimmer Safety Warnings

1. **Keep all parts of the body away from the cutter blade. Do not remove cut material or hold material to be cut when blades are moving. Make sure the switch is off when clearing jammed material. Blades coast after turn off.** A moment of inattention while operating the hedge trimmer may result in serious personal injury.
2. **Carry the hedge trimmer by the handle with the cutter blade stopped.** Proper handling of the hedge trimmer will reduce possible personal injury from the cutter blades.
3. **Hold the power tool by insulated gripping surfaces only, because the cutter blade may contact hidden wiring.** Cutter blades contacting a "live" wire may make exposed metal parts of the power tool "live" and could give the operator an electric shock.
4. **DANGER - Keep hands away from blade.** Contact with blade will result in serious personal injury.
5. **Check the hedges and bushes for foreign objects, such as wire fences or hidden wiring before operating the tool.**
6. **Do not use the pole hedge trimmer in bad weather conditions, especially when there is a risk of lightning.** This decreases the risk of being struck by lightning.
7. **To reduce the risk of electrocution, never use near any electrical power lines.** Contact with or use near power lines may cause serious injury or electric shock resulting in death.
8. **Always use two hands when operating the pole hedge trimmer.** Hold the pole hedge trimmer with both hands to avoid loss of control.
9. **Always use head protection when operating the pole hedge trimmer overhead.** Falling debris can result in serious personal injury.
10. **WARNING – Only use with handle and guard properly assembled to hedge trimmer. The use of the hedge trimmer without the proper guard or handle provided may result in serious personal injury.**
11. **Make sure you have a secure footing before starting operation, and keep balance at all times.**
12. **Wear protective goggles, safety helmet and protective gloves to protect yourself from flying debris or falling objects.**
13. **During operation, keep bystanders or animals at least 15 m (50 ft.) away from the tool. Stop the tool as soon as someone approaches.**
14. **Do not use the tool in the rain or in wet or very damp conditions.** The electric motor is not waterproof.
15. **First-time users should have an experienced user show them how to use the tool.**
16. **The tool must not be used by children or young persons under 18 years of age.** Young persons over 16 years of age may be exempted from this restriction if they are undergoing training under the supervision of an expert.
17. **Use the tool only if you are in good physical condition.** If you are tired, your attention will be reduced. Be especially careful at the end of a working day. Perform all work calmly and carefully. The user is responsible for all damages to third parties.
18. **Never use the tool when under the influence of alcohol, drugs or medication.**
19. **Work gloves of stout leather are part of the basic equipment of the tool and must always be worn when working with it. Also wear sturdy shoes with anti-skid soles.**
20. **Before starting work check to make sure that the tool is in good and safe working order. Ensure guards are fitted properly. The tool must not be used unless fully assembled.**
21. **Hold the tool firmly when using the tool.**
22. **Do not operate the tool at no-load unnecessarily.**
23. **Immediately switch off the motor and remove the battery cartridge if the cutter should come into contact with a fence or other hard object. Check the cutter for damage, and if damaged repair immediately.**
24. **Before checking the shear blades, taking care of faults, or removing material caught in the shear blades, always switch off the tool and remove the battery cartridge.**
25. **Switch off the tool and remove the battery cartridge before doing any maintenance work.**
26. **When moving the tool to another location, including during work, always remove the battery cartridge and put the blade cover on the shear blades. Never carry or transport the tool with the blades running. Never grasp the blades with your hands.**
27. **Clean the tool and especially the shear blades after use, and before putting the tool into storage for extended periods. Lightly oil the blades and put on the cover.**
28. **When not in use, attach the blade cover to the tool and store the tool indoors in dry, and high locked-up place, out of reach of children.**
29. **Never point the shear blades to yourself or others.**
30. **If the blades stop moving due to the stuck of foreign objects between the blades during operation, switch off the tool and remove the battery cartridge, and then remove the foreign objects using tools such as pliers. Removing the foreign objects by hand may cause an injury for the reason that the blades may move in reaction to removing the foreign objects.**

31. **Avoid dangerous environment. Don't use the tool in damp or wet locations or expose it to rain. Water entering the tool will increase the risk of electric shock.**
32. **Do not dispose of the battery(ies) in a fire. The cell may explode. Check with local codes for possible special disposal instructions.**
33. **Do not open or mutilate the battery(ies). Released electrolyte is corrosive and may cause damage to the eyes or skin. It may be toxic if swallowed.**
34. **Do not charge battery in rain, or in wet locations.**
35. **Before operation, examine the work area for wire fences, stones, or other solid objects. They can damage the blades.**
36. **When touching blades or adjusting the blade angle, wear protective gloves. Blades can cut bare hands severely.**
37. **Be careful not to accidentally contact a metal fence or other hard objects during operation. The blade will break and may cause serious injury.**
38. **Avoid unintentional starting. Do not carry the tool when the battery cartridge is installed and with finger on the switch. Make sure that the switch is off when installing the battery cartridge.**
39. **Do not grasp the exposed cutting blades or cutting edges when picking up or holding the tool.**
40. **Do not force the tool. It will do the job better and with less likelihood of a risk of injury at the rate for which it was designed.**
41. **Maintain the tool with care. Keep cutting edge sharp and clean for best performance and to reduce the risk of injury. Follow instructions for lubricating and changing accessories. Keep handles dry, clean, and free from oil and grease.**
42. **Check damaged parts. Before further use of the tool, any part which is damaged should be carefully checked to determine that it will operate properly and perform its intended function. Check for alignment of moving parts, binding of moving parts, breakage of parts, mounting and any other condition that may affect its operation. A guard or other part that is damaged should be properly repaired or replaced by your authorized service center.**
43. **Use genuine spare parts only.**

## SAVE THESE INSTRUCTIONS.

**⚠WARNING:** DO NOT let comfort or familiarity with product (gained from repeated use) replace strict adherence to safety rules for the subject product. MISUSE or failure to follow the safety rules stated in this instruction manual may cause serious personal injury.

**⚠WARNING:** Use of this product can create dust containing chemicals which may cause respiratory or other illnesses. Some examples of these chemicals are compounds found in pesticides, insecticides, fertilizers and herbicides.

Your risk from these exposures varies, depending on how often you do this type of work. To reduce your exposure to these chemicals: work in a well ventilated area, and work with approved safety equipment, such as those dust masks that are specially designed to filter out microscopic particles.

## Symbols

The followings show the symbols used for tool.

|                    |   |
|--------------------|---|
| V                  | volts                                   |
| —<br>---           | direct current                          |
| n <sub>0</sub>     | no load speed                           |
| ... /min<br>r /min | revolutions or reciprocation per minute |

## Important safety instructions for battery cartridge

1. **Before using battery cartridge, read all instructions and cautionary markings on (1) battery charger, (2) battery, and (3) product using battery.**
2. **Do not disassemble battery cartridge.**
3. **If operating time has become excessively shorter, stop operating immediately. It may result in a risk of overheating, possible burns and even an explosion.**
4. **If electrolyte gets into your eyes, rinse them out with clear water and seek medical attention right away. It may result in loss of your eyesight.**
5. **Do not short the battery cartridge:**
  - (1) **Do not touch the terminals with any conductive material.**
  - (2) **Avoid storing battery cartridge in a container with other metal objects such as nails, coins, etc.**
  - (3) **Do not expose battery cartridge to water or rain.**

**A battery short can cause a large current flow, overheating, possible burns and even a breakdown.**
6. **Do not store the tool and battery cartridge in locations where the temperature may reach or exceed 50 °C (122 °F).**
7. **Do not incinerate the battery cartridge even if it is severely damaged or is completely worn out. The battery cartridge can explode in a fire.**
8. **Be careful not to drop or strike battery.**
9. **Do not use a damaged battery.**

- 10. The contained lithium-ion batteries are subject to the Dangerous Goods Legislation requirements.**  
For commercial transports e.g. by third parties, forwarding agents, special requirement on packaging and labeling must be observed.  
For preparation of the item being shipped, consulting an expert for hazardous material is required. Please also observe possibly more detailed national regulations.  
Tape or mask off open contacts and pack up the battery in such a manner that it cannot move around in the packaging.
- 11. When disposing the battery cartridge, remove it from the tool and dispose of it in a safe place. Follow your local regulations relating to disposal of battery.**
- 12. Use the batteries only with the products specified by Makita.** Installing the batteries to non-compliant products may result in a fire, excessive heat, explosion, or leak of electrolyte.
- 13. If the tool is not used for a long period of time, the battery must be removed from the tool.**

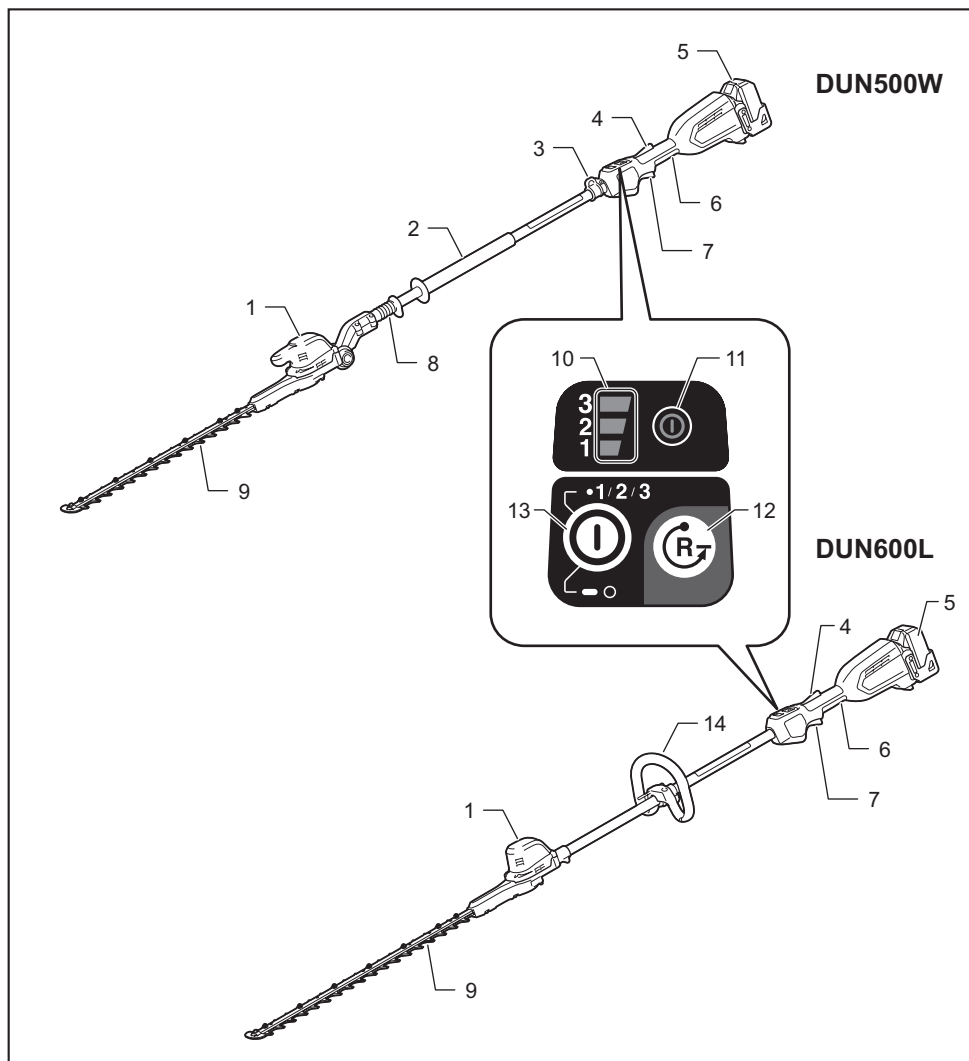
## SAVE THESE INSTRUCTIONS.

**⚠ CAUTION:** Only use genuine Makita batteries. Use of non-genuine Makita batteries, or batteries that have been altered, may result in the battery bursting causing fires, personal injury and damage. It will also void the Makita warranty for the Makita tool and charger.

## Tips for maintaining maximum battery life

- 1. Charge the battery cartridge before completely discharged. Always stop tool operation and charge the battery cartridge when you notice less tool power.**
- 2. Never recharge a fully charged battery cartridge. Overcharging shortens the battery service life.**
- 3. Charge the battery cartridge with room temperature at 10 °C - 40 °C (50 °F - 104 °F). Let a hot battery cartridge cool down before charging it.**
- 4. Charge the battery cartridge if you do not use it for a long period (more than six months).**

# PARTS DESCRIPTION



|    |                   |    |                 |    |                |    |                |
|----|-------------------|----|-----------------|----|----------------|----|----------------|
| 1  | Head              | 2  | Front grip      | 3  | Hanger         | 4  | Lever          |
| 5  | Battery cartridge | 6  | Rear grip       | 7  | Switch trigger | 8  | Slide sleeve   |
| 9  | Shear blades      | 10 | Speed indicator | 11 | Power lamp     | 12 | Reverse button |
| 13 | Main power button | 14 | Handle          | -  | -              | -  | -              |

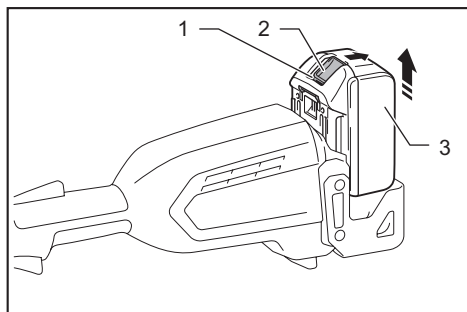
# FUNCTIONAL DESCRIPTION

**CAUTION:** Always be sure that the tool is switched off and the battery cartridge is removed before adjusting or checking function on the tool.

## Installing or removing battery cartridge

**CAUTION:** Always switch off the tool before installing or removing of the battery cartridge.

**CAUTION:** Hold the tool and the battery cartridge firmly when installing or removing battery cartridge. Failure to hold the tool and the battery cartridge firmly may cause them to slip off your hands and result in damage to the tool and battery cartridge and a personal injury.



► 1. Red indicator 2. Button 3. Battery cartridge

To remove the battery cartridge, slide it from the tool while sliding the button on the front of the cartridge.

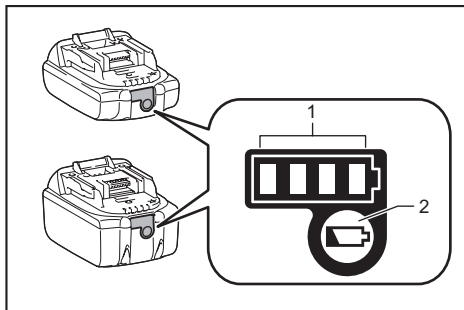
To install the battery cartridge, align the tongue on the battery cartridge with the groove in the housing and slip it into place. Insert it all the way until it locks in place with a little click. If you can see the red indicator on the upper side of the button, it is not locked completely.

**CAUTION:** Always install the battery cartridge fully until the red indicator cannot be seen. If not, it may accidentally fall out of the tool, causing injury to you or someone around you.

**CAUTION:** Do not install the battery cartridge forcibly. If the cartridge does not slide in easily, it is not being inserted correctly.

## Indicating the remaining battery capacity

Only for battery cartridges with the indicator



► 1. Indicator lamps 2. Check button

Press the check button on the battery cartridge to indicate the remaining battery capacity. The indicator lamps light up for a few seconds.













| Indicator lamps |     |          | Remaining capacity                  |
|-----------------|-----|----------|-------------------------------------|
| Lighted         | Off | Blinking |                                     |
| ■ ■ ■ ■         |     |          | 75% to 100%                         |
| ■ ■ ■ □         |     |          | 50% to 75%                          |
| ■ ■ □ □         |     |          | 25% to 50%                          |
| ■ □ □ □         |     |          | 0% to 25%                           |
| ▣ □ □ □         |     |          | Charge the battery.                 |
| ■ ■ □ □         |     |          | The battery may have malfunctioned. |
| □ □ ■ ■         |     |          |                                     |

**NOTE:** Depending on the conditions of use and the ambient temperature, the indication may differ slightly from the actual capacity.



## Tool / battery protection system

The tool is equipped with a tool/battery protection system. This system automatically cuts off power to the motor to extend tool and battery life. The tool will automatically stop during operation if the tool or battery is placed under one of the following conditions:

| Status         | Indicator lamps   |   |            |
|----------------|---|---|------------|
|                | ■ On  | □ Off   | ■ Blinking |
| Overload       |   | 3 <br>2 <br>1  |            |
| Overheat       | 3 <br>2 <br>1  | 3 <br>2 <br>1  |            |
| Over discharge |   | 3 <br>2 <br>1  |            |

### Overload protection

If the tool is overloaded by entangled branches or other debris, the indicators for "2" and "3" start blinking and the tool automatically stops.

In this situation, turn the tool off and stop the application that caused the tool to become overloaded. Then turn the tool on to restart.

**NOTICE:** Depending on the usage conditions, the tool is automatically turned off without any indication if the tool is overloaded by entangled branches or debris. In this case, switch off the tool and remove the battery cartridge, and then remove entangled branches or debris using tools such as pliers. After removing the branches or debris, install the battery cartridge and turn on the tool again.

### Overheat protection for tool or battery

There are two types of overheating; tool overheating and battery overheating. When the tool overheating occurs, all speed indicators blink. When the battery overheating occurs, indicator for "1" blinks.

If the overheating occurs, the tool stops automatically. Let the tool and/or battery cool down before turning the tool on again.

### Overdischarge protection

When the battery capacity becomes low, the tool stops automatically and indicator for "1" blinks.

If the tool does not operate even when the switches are operated, remove the battery from the tool and charge the battery.

## Power switch action

**WARNING:** For your safety, this tool is equipped with lever which prevents the tool from unintended starting. NEVER use the tool if it runs when you simply pull the switch trigger without pressing the lever. Return the tool to our authorized service center for proper repairs BEFORE further usage.

**WARNING:** NEVER tape down or defeat purpose and function of lever.

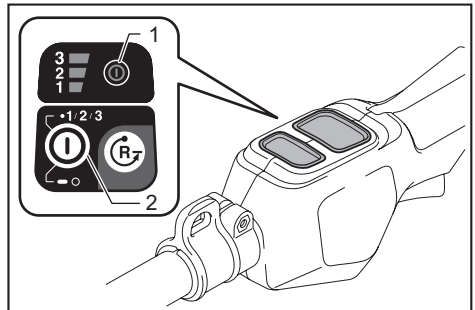
**WARNING:** Before installing the battery cartridge on the tool, always check to see that the switch trigger and lever actuate properly and return to the "OFF" position when released.

Operating a tool with a switch that does not actuate properly can lead to loss of control and serious personal injury.

**CAUTION:** Never put your finger on the switch when carrying. The tool may start unintentionally and cause injury.

**NOTICE:** Do not pull the switch trigger hard without pressing the lever. This can cause switch breakage.

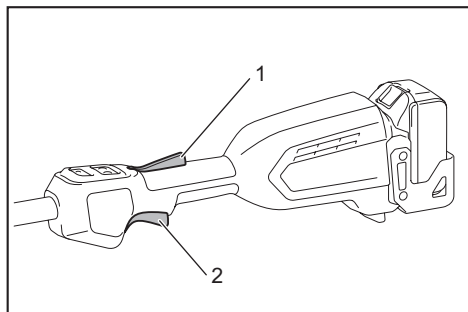
Press the main power button to turn on the tool. The power lamp lights up when the tool is turned on. To turn off the tool, press and hold the main power button. The power lamp goes off when the tool is turned off.



► 1. Power lamp 2. Main power button

**NOTE:** The tool is automatically turned off if the tool is not operated for a certain period.

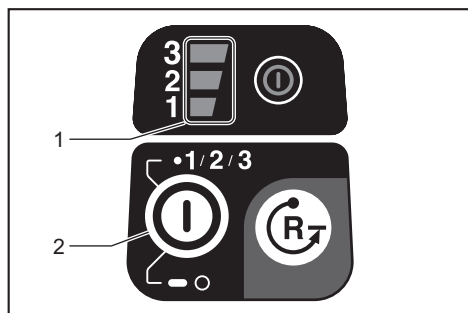
To prevent the switch trigger from being accidentally pulled, a lever is provided. To start the tool, pull the switch trigger while pressing the lever. Release the switch trigger to stop.









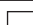


► 1. Lever 2. Switch trigger

## Speed adjusting

You can adjust the tool speed by pressing the main power button. Each time you press the main power button, the level of speed changes.



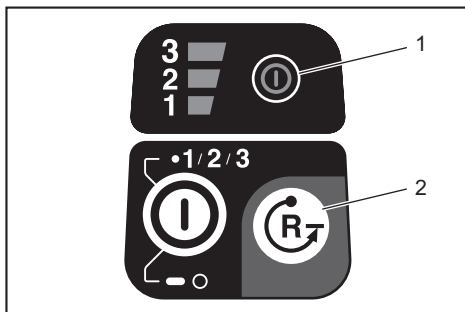
► 1. Speed indicator 2. Main power button

| Indicator   | Mode   | Stroke speed |
|---|--------|--------------|
| 3 <br>2 <br>1  | High   | 4,400/min    |
| 3 <br>2 <br>1  | Medium | 3,600/min    |
| 3 <br>2 <br>1  | Low    | 2,000/min    |

## Reverse button for debris removal

**⚠WARNING:** If the entangled branches or debris cannot be removed by the reverse function, switch off the tool and remove the battery cartridge, and then remove the entangled branches or debris using tools such as pliers. Failure to switch off the tool and remove the battery cartridge may result in serious personal injury from accidental start-up. Removing the entangled branches or debris by hand may cause an injury, since the shear blades may move in reaction to removing them.

This tool has a reverse movement to change the direction of shear blades. It is only for removing branches and debris entangled in the tool. To reverse the shear blades movement, press the reverse button when the shear blades have stopped, and then pull the switch trigger while pressing the lever. The power lamp starts blinking, and the shear blades move in reverse direction. When entangled branches and debris are removed, the tool returns to the regular movement and the power lamp stops blinking and lights up.



► 1. Power lamp 2. Reverse button

**NOTE:** If the entangled branches or debris cannot be removed, release the switch trigger, then press the reverse button, and then pull the switch trigger until they are removed.

**NOTE:** If you tap the reverse button while the shear blades are still moving, the tool comes to stop and to be ready for reverse movement.

## Adjusting the cutting angle

**⚠CAUTION:** Always be sure that the tool is switched off before folding or unfolding the head.

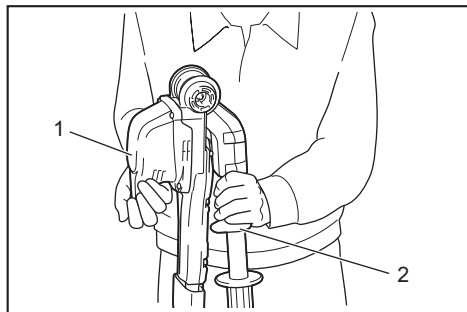
**⚠CAUTION:** When folding the head for carrying the tool or after using the tool, be sure to attach the blade cover before folding the head.

**⚠CAUTION:** When folding the head, be careful not to pinch your fingers between the head and the slide sleeve.

## For DUN500W

The angle of the head can be adjusted in 6 steps. To change the angle of the head, follow the steps below.

1. Hold the head and the slide sleeve as shown in the figure.



- 1. Head 2. Slide sleeve

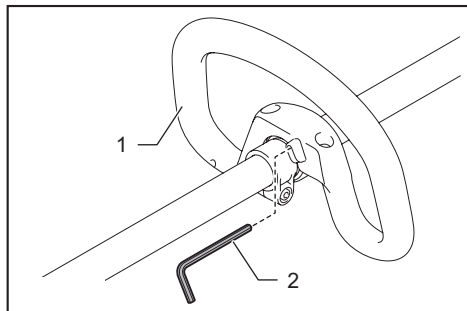
2. Move the head while holding down the slide sleeve, and then release the slide sleeve.
3. Move the head slightly until it is locked with a click.

**NOTE:** Make sure that the head is securely locked before operating the tool.

## Hex wrench storage

### For DUN600L

When not in use, store the hex wrench as illustrated to keep it from being lost.



- 1. Handle 2. Hex wrench

## Electric brake

This tool is equipped with an electric brake. If the tool consistently fails to quickly stop after the switch trigger is released, have the tool serviced at a Makita service center.

## ASSEMBLY

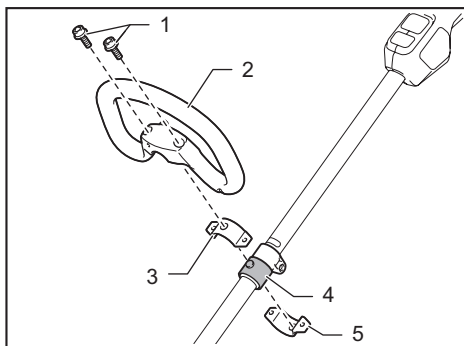
**CAUTION:** Always be sure that the tool is switched off and the battery cartridge is removed before carrying out any work on the tool.

**CAUTION:** When replacing the shear blades, always wear gloves so that your hands do not directly contact the blades.

## Installing the handle

### For DUN600L

1. Attach the upper and lower clamps on the damper.
2. Put the handle on the upper clamp and fix it with bolts as illustrated.



- 1. Bolt 2. Handle 3. Upper clamp 4. Damper  
5. Lower clamp

## Installing or removing the shear blades

**CAUTION:** Attach the blade cover before removing or installing the shear blades.

**NOTICE:** When replacing the shear blades, do not wipe off grease from the gear and crank.

**NOTICE:**

For DUN500W

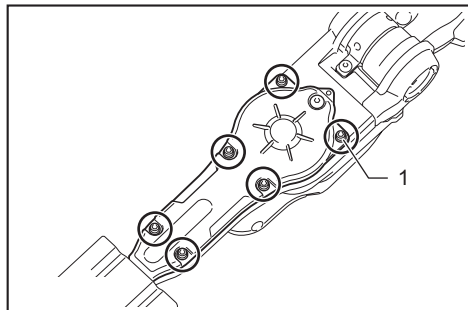
Do not install 600 mm (23-5/8") shear blades to your tool. If 600 mm (23-5/8") shear blades are installed to the tool, you cannot fold the head of the tool.

**NOTE:**

For DUN500W

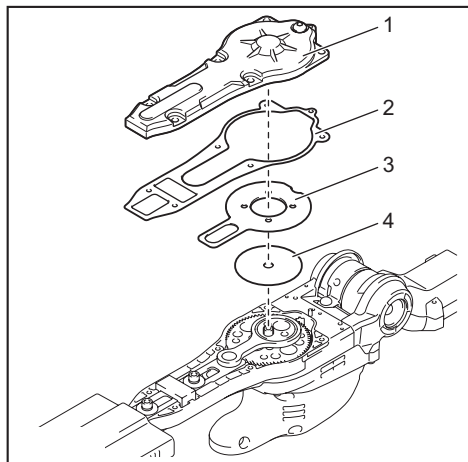
Before installing or removing the shear blades, unfold the head of the tool so that the head is straight to the tool body.

1. Place the tool upside down, and then remove 6 bolts.



- 1. Bolt

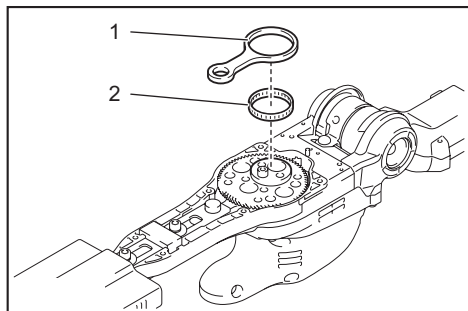
2. Remove the cover, gasket, plate A and plate B.



- 1. Cover 2. Gasket 3. Plate A 4. Plate B

**NOTE:** The gasket or plates may remain on the cover.

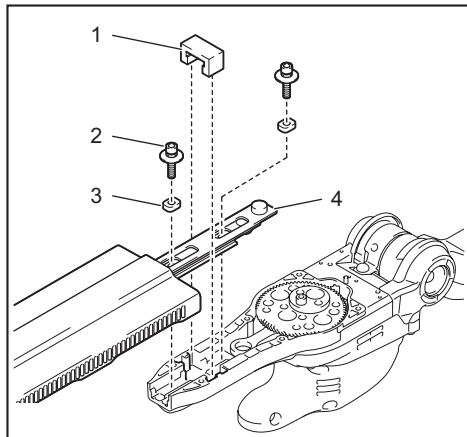
3. Remove the rod and the bearing.



- 1. Rod 2. Bearing

**NOTE:** The rod or bearing may remain on the cover.

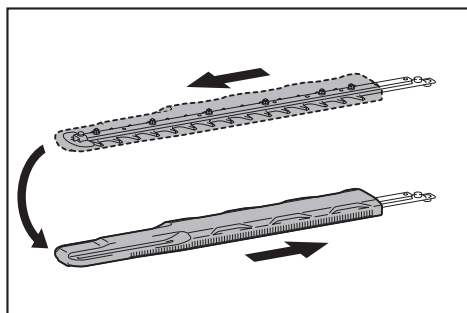
4. Remove 2 bolts, 2 sleeves, and the felt pad, and then remove the shear blades.



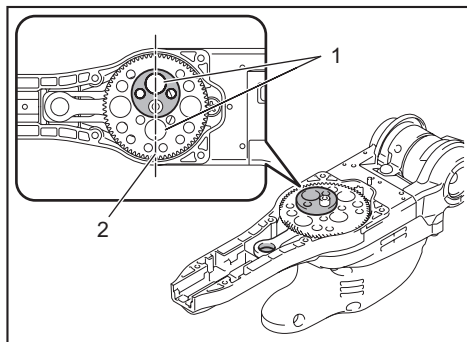
- 1. Felt pad 2. Bolt 3. Sleeve 4. Shear blades

**NOTICE:** Be careful not to lose the bolts.

5. Remove the blade cover, and then attach it to the new shear blades.

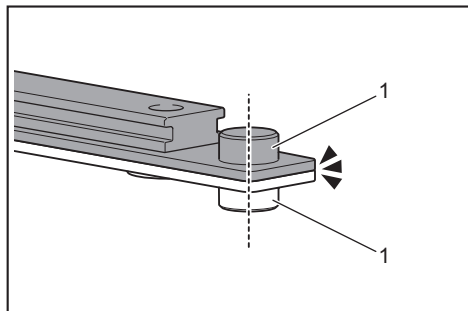


6. Adjust the crank so that 2 holes are lined up on the alignment line.



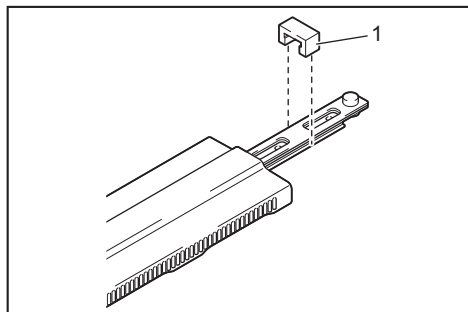
- 1. Hole 2. Alignment line

7. Align the protrusions on the shear blades vertically at the same position.



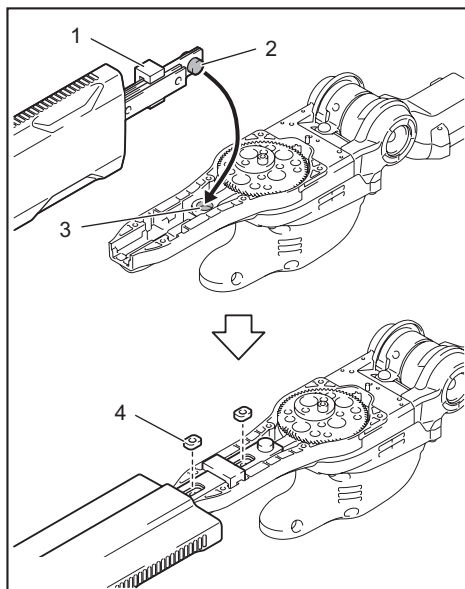
► 1. Protrusion

8. Attach the felt pad to the shear blades.



► 1. Felt pad

9. Insert the protrusion on the shear blades to the hole on the rod, then align the position of the felt pad with the holes on the tool, and then attach the sleeves.

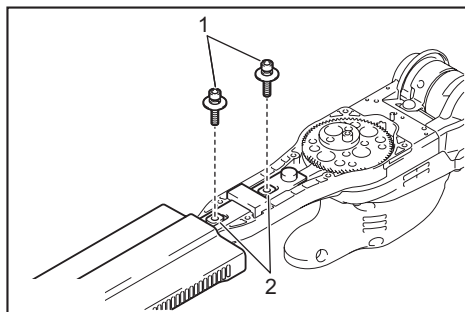


► 1. Felt pad 2. Protrusion 3. Hole 4. Sleeve

**NOTICE:** Apply a small amount of grease to the inner periphery of the hole of the rod.

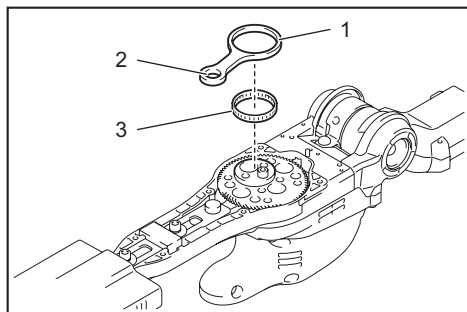
**NOTICE:** Be careful not to lose the sleeves.

10. Align the holes on the sleeves and the shear blades with the holes on the tool, and then tighten 2 bolts to fix the shear blades.



► 1. Bolt 2. Hole

11. Attach the bearing and the rod.

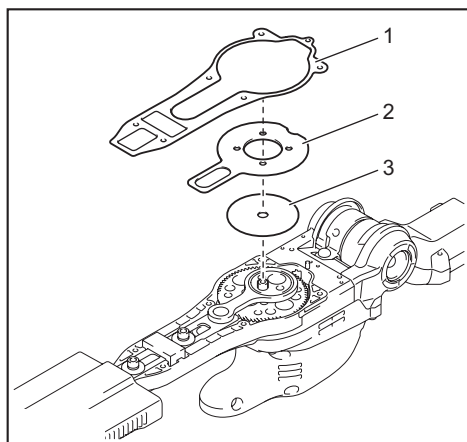


- 1. Rod 2. Small hole 3. Bearing

**NOTICE:** Apply a small amount of grease to the inner periphery of the small hole of the rod.

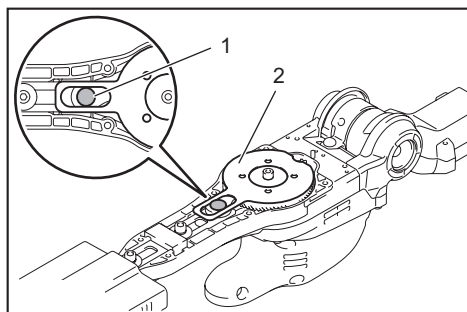
**NOTICE:** Make sure that the protrusion on the shear blades fits in the small hole on the rod.

12. Attach plate B, plate A, and the gasket.



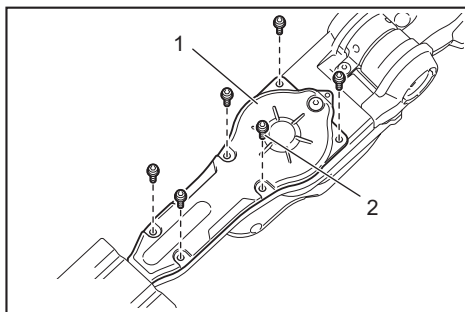
- 1. Gasket 2. Plate A 3. Plate B

13. Align the hole in the plate with the protrusion on the shear blades so that the protrusion fits in the hole.



- 1. Protrusion 2. Plate

14. Attach the cover, and then tighten 6 bolts.



- 1. Cover 2. Bolt

**NOTICE:** If the shear blades do not move smoothly, the shear blades are not engaged with the rods properly. Install the shear blades again.

**NOTICE:** If the parts other than the shear blades such as the rods are worn out, ask Makita Authorized Service Centers for parts replacement or repairs.

## OPERATION

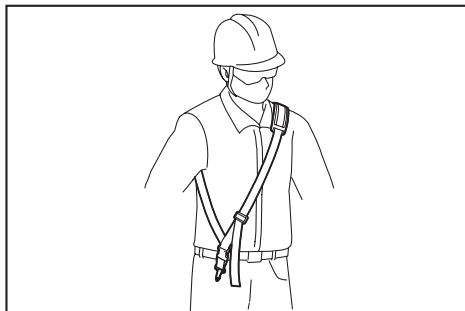
### Attaching the shoulder harness

*Optional accessory for DUN500W*

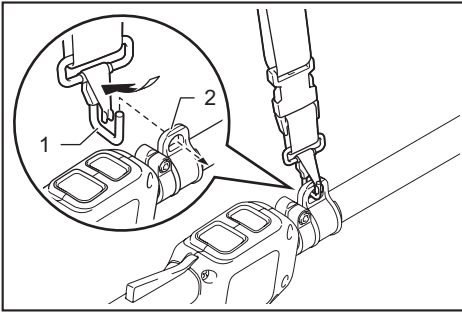
**CAUTION:** Before operation, make sure that the shoulder harness is properly attached to the hanger on the tool.

**NOTE:** Use the shoulder harness attached to the tool. Before operation, adjust the shoulder harness according to the user size to prevent fatigue.

1. Wear the shoulder harness on your shoulder.

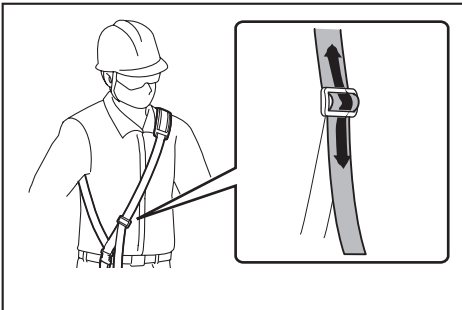


2. Clasp the hook on the shoulder harness to the tool's hanger.



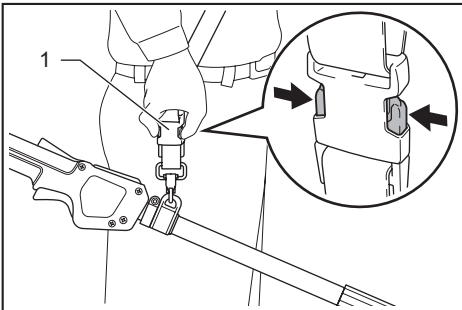
► 1. Hook 2. Hanger

3. Adjust the shoulder harness to a comfortable working position.



The shoulder harness features a means of quick release.

Simply squeeze the sides of the buckle to release the tool from the shoulder harness.



► 1. Buckle

## Operating the tool

**⚠ WARNING:** Do not use the tool near any electrical power lines. Contacting with power lines or using the tool near power lines may cause serious injury or electric shock resulting in death.

**⚠ WARNING:** Keep hands away from shear blades.

**⚠ WARNING:** Be extremely careful to maintain control of the tool at all times. Do not allow the tool to be deflected toward you or anyone in the work vicinity. Failure to keep control of the tool could result in serious injury to the bystander and the operator.

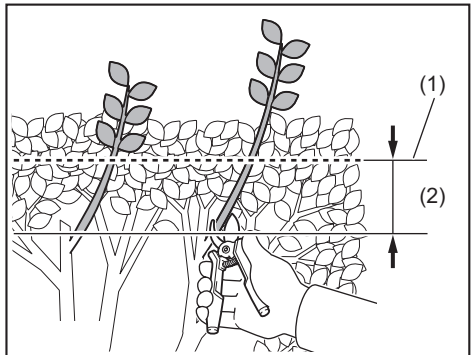
**⚠ CAUTION:** Avoid operating the tool in very hot weather as much as practicable. When operating the tool, be careful of your physical condition.

**⚠ CAUTION:** Be careful not to accidentally contact a metal fence or other hard objects while trimming. The shear blades may break and cause an injury.

**⚠ CAUTION:** Be careful not to allow the shear blades to contact the ground. The tool may recoil and cause an injury.

**⚠ CAUTION:** Overreaching with a hedge trimmer, particularly from a ladder, is extremely dangerous. Do not work while standing on anything wobbly or infirm.

**NOTICE:** Do not attempt to cut branches thicker than 10 mm (3/8") in diameter with the tool. Cut branches to 10 cm (4") lower than the cutting height using branch cutters before using the tool.



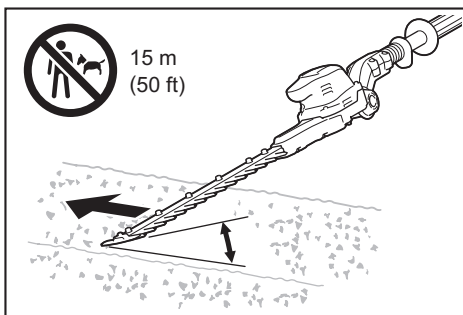
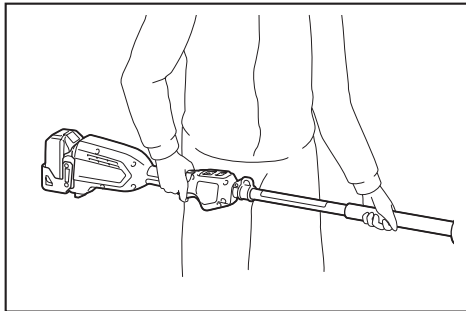
► (1) Cutting height (2) 10 cm (4")

**NOTICE:** Do not cut down dead trees or similar hard objects. Doing so may damage the tool.

**NOTICE:** Do not trim the grass or weeds while using the shear blades. The shear blades may become tangled in the grass or weeds.

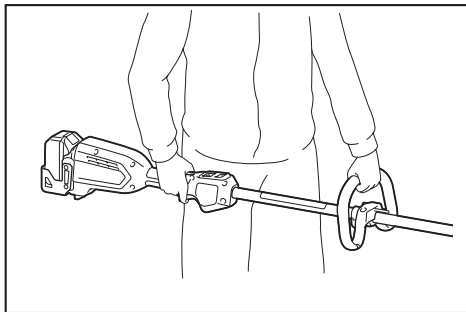
Hold the tool with both hands.

### For DUN500W

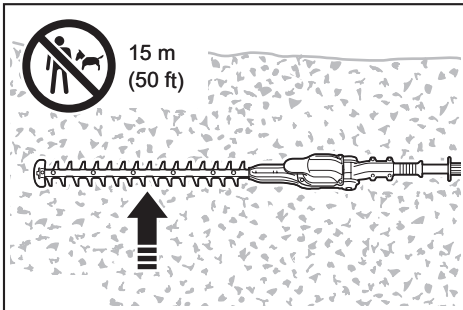


To cut a hedge side evenly, cut from the bottom to top.

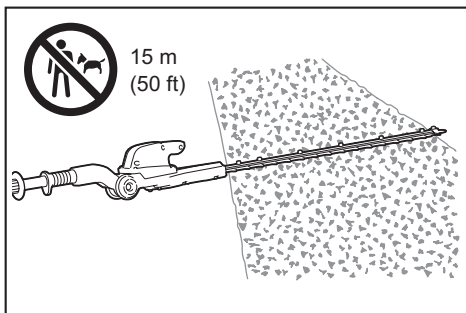
### For DUN600L



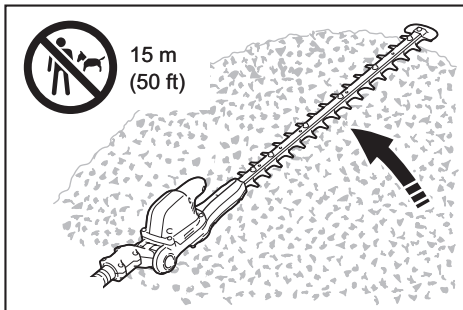
Pull the switch trigger while pressing the lever, and then move the tool forward.



When trimming to make a round shape (trimming boxwood or rhododendron, etc.), trim from the root to the top for a beautiful finish.



For basic operation, tilt the shear blades toward the trimming direction and move it calmly and slowly at the speed rate of 3 to 4 seconds per meter.



## MAINTENANCE

**⚠ CAUTION:** Always be sure that the tool is switched off and the battery cartridge is removed before attempting to perform inspection or maintenance.

**⚠ CAUTION:** When inspecting or maintaining the tool, always put the tool down. Assembling or adjusting the tool in an upright position may result in serious injury.

To maintain product SAFETY and RELIABILITY, repairs, any other maintenance or adjustment should be performed by Makita Authorized or Factory Service Centers, always using Makita replacement parts.



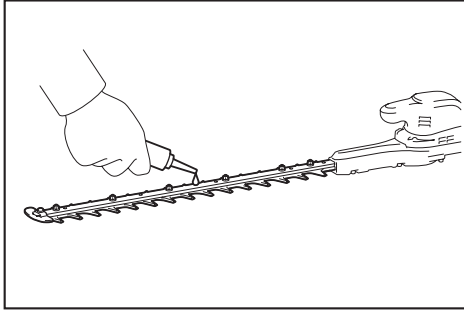
## Cleaning the tool

Clean the tool by wiping off dust with a dry cloth or one dipped in soapy water and wrung out.

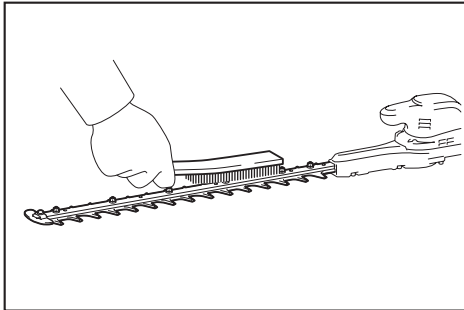
**NOTICE:** Never use gasoline, benzine, thinner, alcohol or the like. Discoloration, deformation or cracks may result.

## Shear blade maintenance

Before the operation or once per hour during operation, apply low-viscosity oil (machine oil, or spray-type lubricating oil) to the shear blades.



After operation, remove dust from both sides of the shear blades with a wired brush, wipe it off with a cloth and then apply low-viscosity oil (machine oil, or spray-type lubricating oil) to the shear blades.



**NOTICE:** Do not wash the shear blades in water. Doing so may cause rust or damage to the tool.

**NOTICE:** Dirt and corrosion cause excessive blade friction and shorten the operating time per battery charge.

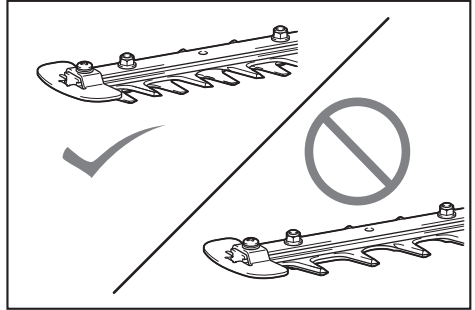
## Storage

Attach the blade cover to the shear blades so that the blades are not exposed. Store the tool out of the reach of children. Store the tool in a place not exposed to moisture or rain.

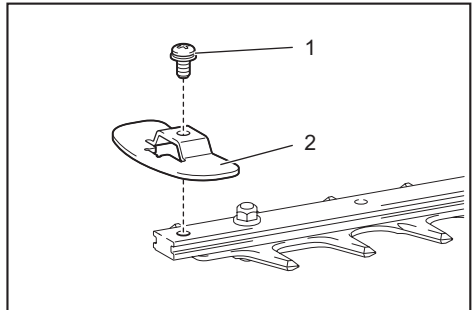
## Grinding the shear blades

**NOTICE:** If the shear blades have considerably deformed by grinding, replace the shear blades with new ones.

1. Install the battery cartridge to the tool.
2. Turn on and start the tool so that the upper blade and lower blade are positioned alternately.

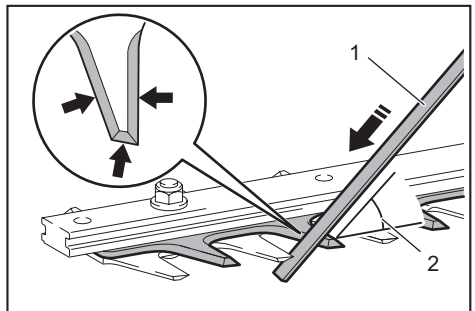


3. Turn off the tool and remove the battery cartridge from the tool.
4. Remove the screw, and then remove the branch catcher.



- 1. Screw 2. Branch catcher

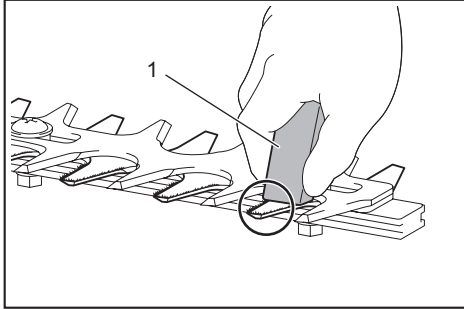
5. Set the angle of a file to 45°, and grind the upper blade from 3 directions with the file.



- (1) File (2) 45°

**CAUTION:** Before grinding the shear blades, make sure that the tool is switched off and the battery cartridge is removed from the tool.

6. Place the tool upside down, and then remove the burrs from the shear blades with the file.



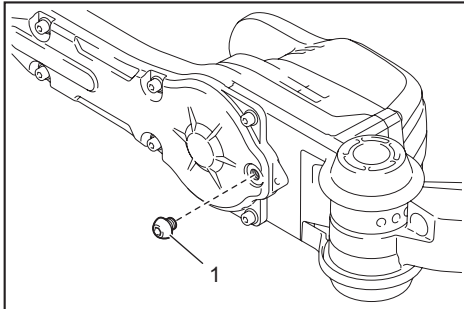
- 1. File

7. Set the angle of the file to 45°, and grind the lower blade from 3 directions with the file.
8. Return the tool to normal position, and then remove the burrs from the shear blades with the file.
9. Attach the branch catcher by tightening the screw.

## Grease lubrication

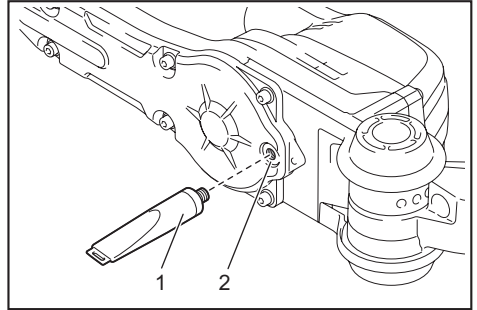
**Interval of lubrication:** Every 25 operating hours

1. Remove the bolt from the hole for lubrication.



- 1. Bolt

2. Remove the cap from the grease vessel. Align the outlet of the grease vessel with the hole on the cover, and then press the outlet of the grease vessel onto the hole.



- 1. Grease vessel 2. Hole

3. Apply the grease to the tool (Approximately 5 g (0.2 oz) as a guide).
4. Tighten the bolt.

# TROUBLESHOOTING

Before asking for repairs, conduct your own inspection first. If you find a problem that is not explained in the manual, do not attempt to dismantle the tool. Instead, ask Makita Authorized Service Centers, always using Makita replacement parts for repairs.

| State of abnormality   | Probable cause (malfunction)                         | Remedy   |
|--|--|--|
| Motor does not run.  | Battery cartridge is not installed.                  | Install the battery cartridge.   |
|  | Battery problem (under voltage)                      | Recharge the battery. If recharging is not effective, replace battery.   |
|  | The drive system does not work correctly.            | Ask your local authorized service center for repair.   |
| Motor stops running after a little use.                                  | Battery's charge level is low.                       | Recharge the battery. If recharging is not effective, replace battery.   |
|  | Overheating.   | Stop using of tool to allow it to cool down.   |
| Tool does not reach maximum RPM.   | Battery is installed improperly.                     | Install the battery cartridge as described in this manual.   |
|  | Battery power is dropping.                           | Recharge the battery. If recharging is not effective, replace battery.   |
|  | The drive system does not work correctly.            | Ask your local authorized service center for repair.   |
| Shear blades do not move:<br>⇒ stop the machine immediately!             | Inappropriate angle of shear blades.                 | Make sure that the head is properly fixed in the operational angle.  |
|  | Foreign objects are caught between the shear blades. | 1. Use the reverse button.<br>2. Switch off the tool and remove the battery cartridge, and then remove the foreign objects using tools such as pliers. |
|  | The drive system does not work correctly.            | Ask your local authorized service center for repair.   |
| Abnormal vibration:<br>⇒ stop the machine immediately!                   | Shear blades are broken, bent or worn.               | Replace the shear blades.  |
|  | The drive system does not work correctly.            | Ask your local authorized service center for repair.   |
| Shear blades and motor cannot stop:<br>⇒ Remove the battery immediately! | Electric malfunction.                                | Remove the battery and ask your local authorized service center for repair.  |

## OPTIONAL ACCESSORIES

**⚠ CAUTION:** These accessories or attachments are recommended for use with your Makita tool specified in this manual. The use of any other accessories or attachments might present a risk of injury to persons. Only use accessory or attachment for its stated purpose.

If you need any assistance for more details regarding these accessories, ask your local Makita Service Center.

- Shear blade assembly
- Grease vessel
- Shoulder harness
- Makita genuine battery and charger

**NOTE:** Some items in the list may be included in the tool package as standard accessories. They may differ from country to country.

## MAKITA LIMITED WARRANTY

Please refer to the annexed warranty sheet for the most current warranty terms applicable to this product. If annexed warranty sheet is not available, refer to the warranty details set forth at below website for your respective country.

United States of America: [www.makitatools.com](http://www.makitatools.com)

Canada: [www.makita.ca](http://www.makita.ca)

Other countries: [www.makita.com](http://www.makita.com)

## SPÉCIFICATIONS

| Modèle :                  | DUN500W                                  | DUN600L                      |
|---------------------------|--|------------------------------|
| Longueur de lame          | 500 mm (19-3/4")                         | 600 mm (23-5/8")             |
| Cisaillements par minute  | 2 000 / 3 600 / 4 400 /min               |                              |
| Angle de la lame de coupe | 115° (45° vers le haut, 70° vers le bas) | -                            |
| Longueur totale           | 2 115 mm (83-1/4")                       | 2 050 mm (80-1/2")           |
| Tension nominale          | C.C. 18 V                                |                              |
| Poids net                 | 3,9 - 4,2 kg (8,6 - 9,3 lbs)             | 3,7 - 4,0 kg (8,2 - 8,8 lbs) |

- Étant donné l'évolution constante de notre programme de recherche et développement, les spécifications contenues dans ce manuel sont sujettes à modification sans préavis.
- Les spécifications peuvent varier suivant les pays.
- Le poids peut varier selon les accessoires, y compris la batterie. La plus légère et la plus lourde combinaisons, selon la procédure EPTA 01/2014, sont indiquées dans le tableau.

## Batteries, adaptateurs de batteries et chargeur applicables

|                        |  |
|------------------------|--|
| Batterie               | BL1815N / BL1820B / BL1830 / BL1830B / BL1840B / BL1850B / BL1860B |
| Adaptateur de batterie | PDC01  |
| Chargeur               | DC18RC / DC18RD / DC18RE / DC18SD / DC18SE / DC18SF                |

- Suivant la région où vous habitez, il se peut que certains ne soient pas disponibles parmi les batteries, adaptateurs de batterie et chargeurs énumérés ci-dessus.
- Avant d'utiliser l'adaptateur de batterie, lisez les instructions et indications de mise en garde sur l'adaptateur de batterie.

**⚠ MISE EN GARDE :** Utilisez exclusivement les batteries, les adaptateurs de batterie et les chargeurs énumérés ci-dessus. L'utilisation de toute autre batterie ou de tout autre adaptateur de batterie ou chargeur peut entraîner une blessure et/ou un incendie.

## CONSIGNES DE SÉCURITÉ

### Consignes de sécurité générales pour outils électriques

**⚠ MISE EN GARDE :** Lisez toutes les mises en garde, instructions, illustrations et spécifications qui accompagnent cet outil électrique. Il y a un risque de décharge électrique, d'incendie et/ou de blessure grave si les instructions ci-dessous ne sont pas toutes respectées.

### Conservez toutes les mises en garde et instructions pour référence future.

Le terme « outil électrique » qui figure dans les avertissements fait référence à un outil électrique branché sur une prise de courant (par un cordon d'alimentation) ou alimenté par batterie (sans fil).

#### Sécurité de la zone de travail

1. **Maintenez la zone de travail propre et bien éclairée.** Les zones de travail encombrées ou sombres ouvrent grande la porte aux accidents.

2. **N'utilisez pas les outils électriques dans les atmosphères explosives, par exemple en présence de liquides, gaz ou poussières inflammables.** Les outils électriques produisent des étincelles au contact desquelles la poussière ou les vapeurs peuvent s'enflammer.
3. **Assurez-vous qu'aucun enfant ou curieux ne s'approche pendant que vous utilisez un outil électrique.** Vous risquez de perdre la maîtrise de l'outil si votre attention est détournée.

#### Sécurité en matière d'électricité

1. **Les fiches d'outil électrique sont conçues pour s'adapter parfaitement aux prises de courant. Ne modifiez jamais la fiche de quelque façon que ce soit. N'utilisez aucun adaptateur de fiche sur les outils électriques avec mise à la terre.** En ne modifiant pas les fiches et en les insérant dans des prises de courant pour lesquelles elles ont été conçues, vous réduirez les risques de choc électrique.
2. **Évitez tout contact corporel avec les surfaces mises à la terre, telles que tuyaux, radiateurs, cuisinières et réfrigérateurs.** Le risque de choc électrique est plus élevé si votre corps se trouve mis à la terre.
3. **N'exposez pas les outils électriques à la pluie ou à l'eau.** La présence d'eau dans un outil électrique augmente le risque de choc électrique.

4. **Ne maltraitez pas le cordon. N'utilisez jamais le cordon pour transporter, tirer ou débrancher l'outil électrique. Maintenez le cordon à l'écart des sources de chaleur, de l'huile, des objets à bords tranchants et des pièces en mouvement.** Le risque de choc électrique est plus élevé lorsque les cordons sont endommagés ou enchevêtrés.
5. **Lorsque vous utilisez un outil électrique à l'extérieur, utilisez un cordon prolongateur conçu pour l'usage extérieur.** Les risques de choc électrique est moindre lorsqu'un cordon conçu pour l'usage extérieur est utilisé.
6. **Si vous devez utiliser un outil électrique dans un endroit humide, utilisez une source d'alimentation protégée par un disjoncteur de fuite à la terre.** L'utilisation d'un disjoncteur de fuite à la terre réduit le risque de choc électrique.
7. **Les outils électriques peuvent produire des champs électromagnétiques (CEM) qui ne sont pas préjudiciables à l'utilisateur.** Les utilisateurs de stimulateur cardiaque ou autres appareils médicaux similaires doivent toutefois demander conseil au fabricant et/ou à leur médecin avant d'utiliser cet outil électrique.
8. **Évitez d'être complaisant et d'ignorer les principes de sécurité de l'outil en raison de la familiarité acquise par un usage fréquent des outils.** Un geste imprudent peut entraîner une grave blessure en une fraction de seconde.
9. **Portez toujours des lunettes à coques de protection pour protéger vos yeux contre les blessures lors de l'utilisation d'outils électriques. Les lunettes à coques doivent être conformes à ANSI Z87.1 aux États-Unis.** L'employeur a la responsabilité d'imposer l'utilisation d'équipements de protection de sécurité adéquats aux utilisateurs des outils électriques et à toute autre personne se trouvant dans la zone de travail immédiate.

#### Utilisation et entretien des outils électriques

1. **Ne forcez pas l'outil électrique. Utilisez l'outil électrique adéquat suivant le type de travail à effectuer.** Si vous utilisez l'outil électrique adéquat et respectez le régime pour lequel il a été conçu, il effectuera un travail de meilleure qualité et plus sécuritaire.
2. **N'utilisez pas l'outil électrique s'il n'est pas possible de l'allumer et de l'éteindre avec son interrupteur.** Un outil électrique dont l'interrupteur est défectueux représente un danger et doit être réparé.
3. **Avant d'effectuer tout réglage, de remplacer un accessoire ou de ranger l'outil électrique, débranchez la fiche de la source d'alimentation et/ou retirez la batterie de l'outil électrique si elle est amovible.** Ces mesures préventives de sécurité réduisent les risques de démarrage accidentel de l'outil électrique.
4. **Après l'utilisation d'un outil électrique, rangez-le hors de portée des enfants et ne laissez aucune personne l'utiliser si elle n'est pas familiarisée avec l'outil électrique ou les présentes instructions d'utilisation.** Les outils électriques représentent un danger entre les mains de personnes qui n'en connaissent pas le mode d'utilisation.
5. **Effectuez l'entretien des outils électriques et des accessoires. Assurez-vous que les pièces mobiles ne sont pas désalignées ou coincées, qu'aucune pièce n'est cassée et que l'outil électrique n'a subi aucun dommage affectant son bon fonctionnement. Le cas échéant, faites réparer l'outil électrique avant de l'utiliser.** De nombreux accidents sont causés par des outils électriques mal entretenus.
6. **Maintenez les outils tranchants bien aiguisés et propres.** Un outil tranchant dont l'entretien est effectué correctement et dont les bords sont bien aiguisés risquera moins de se coincer et sera plus facile à maîtriser.
7. **Utilisez l'outil électrique, ses accessoires, ses embouts, etc., en respectant les présentes instructions, en tenant compte des conditions de travail et du type de travail à effectuer.** L'utilisation d'un outil électrique pour d'autres usages que ceux prévus peut entraîner une situation dangereuse.
8. **Gardez les poignées et surfaces de saisie sèches, propres et exemptes d'huile et de graisse.** Les poignées et surfaces de saisie glissantes ne permettent pas une manipulation sûre et une bonne maîtrise de l'outil dans les situations inattendues.

#### Sécurité personnelle

1. **Restez alerte, attentif à vos mouvements et faites preuve de bon sens lorsque vous utilisez un outil électrique. N'utilisez pas les outils électriques si vous êtes fatigué ou avez pris une drogue, de l'alcool ou un médicament.** Un moment d'inattention pendant l'utilisation d'un outil électrique peut entraîner une grave blessure.
2. **Portez des dispositifs de protection personnelle. Portez toujours une protection oculaire.** Les risques de blessure seront moins élevés si vous utilisez des dispositifs de protection tels qu'un masque anti-poussière, des chaussures à semelle antidérapante, une coiffure résistante ou une protection d'oreilles.
3. **Évitez les démarrages accidentels. Assurez-vous que l'interrupteur est en position d'arrêt avant de brancher l'outil à la prise de courant et/ou au bloc-piles, et avant de prendre ou de transporter l'outil.** Vous ouvrez la porte aux accidents si vous transportez les outils électriques avec le doigt sur l'interrupteur ou si vous les branchez alors que l'interrupteur est en position de marche.
4. **Retirez toute clé de réglage ou de serrage avant de mettre l'outil électrique sous tension.** Toute clé laissée en place sur une pièce rotative de l'outil électrique peut entraîner une blessure.
5. **Ne vous étirez pas exagérément. Assurez-vous d'une bonne prise au sol et d'un bon équilibre en tout temps.** Cela vous permettra d'avoir une meilleure maîtrise de l'outil électrique dans les situations imprévues.
6. **Portez des vêtements adéquats. Ne portez ni vêtements amples ni bijoux. Gardez vos cheveux, vêtements et gants à l'écart des pièces en mouvement.** Les vêtements amples, bijoux ou cheveux longs peuvent être happés par les pièces en mouvement.
7. **Si des accessoires sont fournis pour raccorder un appareil d'aspiration et de collecte de la poussière, assurez-vous qu'ils sont correctement raccordés et qu'ils sont utilisés de manière adéquate.** L'utilisation d'un appareil de collecte permet de réduire les risques liés à la présence de poussière dans l'air.

9. **Lors de l'utilisation de l'outil, ne portez pas de gants de travail en tissu qui risquent de s'enchevêtrer dans l'outil.** L'enchevêtrement de gants de travail en tissu dans les pièces en mouvement peut entraîner une blessure.

#### Utilisation et entretien des outils alimentés par batterie

1. **Pour recharger, utilisez uniquement le chargeur spécifié par le fabricant.** L'utilisation d'un chargeur conçu pour un type donné de bloc-piles comporte un risque d'incendie lorsqu'il est utilisé avec un autre type de bloc-piles.
2. **N'utilisez un outil électrique qu'avec le bloc-piles conçu spécifiquement pour cet outil.** Il y a risque de blessure ou d'incendie si un autre bloc-piles est utilisé.
3. **Lorsque vous n'utilisez pas le bloc-piles, rangez-le à l'écart des objets métalliques tels que trombones, pièces de monnaie, clés, clous, vis ou autres petits objets métalliques qui risqueraient d'établir une connexion entre les bornes.** La mise en court-circuit des bornes de batterie peut causer des brûlures ou un incendie.
4. **Dans des conditions d'utilisation inadéquates de la batterie, il peut y avoir fuite d'électrolyte; évitez tout contact avec ce liquide. En cas de contact accidentel, rincez avec beaucoup d'eau. Si le liquide pénètre dans vos yeux, il faut aussi consulter un médecin.** L'électrolyte qui s'échappe de la batterie peut causer des irritations ou des brûlures.
5. **N'utilisez pas une batterie ou un outil si'il est endommagé ou modifié.** Les batteries endommagées ou modifiées peuvent avoir un comportement imprévisible dont peut résulter un incendie, une explosion ou un risque de blessure.
6. **N'exposez pas une batterie ou un outil au feu ou à une température excessive.** L'exposition au feu ou à une température supérieure à 130 °C peut entraîner une explosion.
7. **Suivez toutes les instructions de charge et ne chargez pas la batterie ou l'outil à l'extérieur de la plage de température spécifiée dans les instructions.** Charger de manière inadéquate ou à des températures hors de la plage spécifiée peut endommager la batterie et augmenter le risque d'incendie.

#### Réparation

1. **Faites réparer votre outil électrique par un réparateur qualifié qui utilise des pièces de rechange identiques aux pièces d'origine.** Le maintien de la sûreté de l'outil électrique sera ainsi assuré.
2. **N'essayez jamais de réparer les batteries endommagées.** La réparation des batteries ne doit être effectuée que par le fabricant ou par un fournisseur de service après-vente agréé.
3. **Suivez les instructions de lubrification et de remplacement des accessoires.**
4. **Ne modifiez pas ou n'essayez pas de réparer l'appareil ou la batterie autrement que tel qu'indiqué dans les instructions d'utilisation et d'entretien.**

## Consignes de sécurité pour taille-haie sur perche sans fil

1. **Gardez toutes les parties du corps à l'écart de la lame de couteau.** Pendant que les lames sont en mouvement, évitez de retirer le matériau coupé ou de tenir le matériau à couper. Les lames continuent de tourner en roue libre après la mise hors tension. **Avant de retirer un matériau coincé, veillez à mettre l'interrupteur en position d'arrêt.** Tout moment d'inattention pendant l'utilisation du taille-haie peut entraîner une grave blessure.
2. **Transportez le taille-haie par sa poignée, avec la lame de couteau arrêtée.** La manipulation adéquate du taille-haie réduira les risques de blessure au contact des lames de couteau.
3. **Ne tenez l'outil électrique que par ses surfaces de prises isolées, car la lame de coupe peut toucher un câblage dissimulé.** Au contact d'un fil sous tension, les lames de couteau peuvent mettre sous tension les pièces métalliques découpées de l'outil électrique et transmettre une décharge électrique à l'utilisateur.
4. **DANGER - Gardez les mains à l'écart de la lame.** Le contact avec la lame entraînera une grave blessure.
5. **Avant d'utiliser l'outil, assurez-vous qu'il n'y a pas de corps étrangers tels que clôtures grillagées ou câblage dissimulé dans les haies et buissons.**
6. **N'utilisez pas le taille-haie sur perche sous de mauvaises conditions météo, et tout spécialement lorsqu'il y a risque de foudre.** Cela réduit le risque d'être frappé par la foudre.
7. **Pour réduire le risque d'électrocution, ne l'utilisez jamais près des lignes électriques.** Le contact avec des lignes électriques ou l'utilisation près de celles-ci peut causer des blessures graves ou une décharge électrique pouvant entraîner la mort.
8. **Utilisez toujours vos deux mains pour faire fonctionner le taille-haie sur perche.** Tenez le taille-haie sur perche à deux mains pour éviter d'en perdre le contrôle.
9. **Portez toujours un casque de sécurité lorsque vous utilisez le taille-haie sur perche au-dessus de votre tête.** La chute de débris peut entraîner de graves blessures.
10. **MISE EN GARDE - N'utilisez le taille-haie qu'avec son guidon et son protecteur correctement assemblés.** L'utilisation du taille-haie sans le protecteur et le guidon adéquats qui l'accompagnent peut entraîner une grave blessure.
11. **Assurez-vous d'une bonne prise au sol avant de commencer le travail, et gardez votre équilibre en tout temps.**
12. **Portez des lunettes à coques, un casque de sécurité et des gants protecteurs pour vous protéger contre les projections de débris ou la chute d'objets.**
13. **Pendant l'exécution du travail, ne laissez pas les curieux ou les animaux approcher à moins de 15 m (50 pi) de l'outil. Arrêtez l'outil dès que quelqu'un approche.**
14. **N'utilisez pas l'outil sous la pluie ou dans des conditions mouillées ou très humides.** Le moteur électrique n'est pas imperméable à l'eau.

15. **Les nouveaux utilisateurs doivent se faire expliquer l'utilisation de l'outil par un utilisateur expérimenté.**
16. **L'outil ne doit pas être utilisé par les enfants ou par les jeunes de moins de 18 ans.** Les jeunes de 16 ans et plus peuvent faire exception à cette restriction s'ils reçoivent une formation sous la supervision d'un expert.
17. **N'utilisez l'outil que si vous êtes en bonne condition physique.** Si vous êtes fatigué, votre concentration sera moindre. Soyez tout spécialement prudent à la fin de la journée de travail. Effectuez le travail calmement et prudemment. L'utilisateur est responsable de tout dommage encouru par des tiers.
18. **N'utilisez jamais l'outil lorsque vous êtes sous l'influence de l'alcool, d'une drogue ou d'un médicament.**
19. **Les gants de travail en cuir résistant font partie de l'équipement de base de l'outil et doivent toujours être portés pendant son utilisation.** Portez également des chaussures robustes à semelle antidérapante.
20. **Avant de commencer le travail, assurez-vous que l'outil est sécuritaire et en bon état de marche.** Assurez-vous que les gardes sont bien installés. L'outil ne doit être utilisé qu'une fois complètement assemblé.
21. **Tenez l'outil fermement pendant l'utilisation.**
22. **Ne faites pas inutilement tourner l'outil à vide.**
23. **Coupez immédiatement le contact et retirez la batterie si le couteau entre en contact avec une clôture ou autre objet dur.** Vérifiez l'absence de dommages sur le couteau, et réparez-le immédiatement s'il est endommagé.
24. **Avant de vérifier les lames de cisaillement, d'en faire l'entretien ou d'enlever une matière coincée, éteignez toujours l'outil et retirez la batterie.**
25. **Avant d'effectuer tout travail d'entretien sur l'outil, éteignez-le et retirez la batterie.**
26. **Lorsque vous déplacez l'outil vers un autre emplacement, y compris pendant l'exécution du travail, retirez toujours la batterie et mettez le couvre-lames sur les lames de cisaillement.** Ne transportez ou déplacez jamais l'outil pendant que les lames tournent. Ne saisissez jamais les lames avec les mains.
27. **Nettoyez l'outil et tout spécialement les lames de cisaillement après l'utilisation, ainsi qu'avant de ranger l'outil pour une période prolongée.** Huilez légèrement les lames et mettez le couvre-lames.
28. **Lorsque vous n'utilisez pas l'outil, fixez-y le couvre-lames et rangez l'outil à l'intérieur, dans un emplacement sec, élevé, verrouillé et hors de portée des enfants.**
29. **Ne pointez jamais les lames de cisaillement vers vous-même ou d'autres personnes.**
30. **Si les lames cessent de bouger en raison de la présence de corps étrangers entre les lames pendant l'utilisation, éteignez l'outil et retirez la batterie, puis enlevez les corps étrangers à l'aide d'une pince ou autre outil.** En retirant les corps étrangers avec la main, vous risquez de vous blesser car les lames peuvent bouger lors du retrait des corps étrangers.
31. **Évitez les environnements dangereux.** N'utilisez pas l'outil dans les endroits humides ou mouillés, et ne l'exposez pas à la pluie. L'infiltration d'eau dans l'outil accroît le risque de décharge électrique.
32. **Ne jetez pas la/les batterie(s) au feu.** L'élément pourrait exploser. Vérifiez la réglementation locale pour savoir s'il existe des directives particulières sur l'élimination.
33. **N'ouvrez pas et n'endommagez pas la/les batterie(s).** L'électrolyte qui s'échappe est corrosif et peut provoquer des dommages aux yeux ou à la peau. Il peut être toxique s'il est ingéré.
34. **Ne chargez pas la batterie sous la pluie ou dans les emplacements humides.**
35. **Avant l'exécution du travail, vérifiez l'absence de clôtures grillagées et de pierres ou autres objets solides dans la zone de travail.** Ils peuvent endommager les lames.
36. **Pour toucher les lames ou pour ajuster l'angle d'une lame, portez des gants de protection.** Les lames peuvent couper sévèrement les mains nues.
37. **Prenez garde de toucher accidentellement une clôture métallique ou autre objet dur pendant l'exécution du travail.** En cassant, la lame peut causer une grave blessure.
38. **Évitez le démarrage accidentel.** Ne transportez pas l'outil avec la batterie installée et le doigt sur l'interrupteur. Avant d'installer la batterie, assurez-vous que l'interrupteur est en position d'arrêt.
39. **Lorsque vous prenez ou tenez l'outil, ne le saisissez pas par les lames de coupe dénudées ou par les bords tranchants.**
40. **Ne forcez pas l'outil.** Il fonctionnera mieux et présentera moins de risques de blessure si vous respectez la vitesse de travail pour laquelle il a été conçu.
41. **Entretenez soigneusement l'outil.** Gardez les bords tranchants affûtés et propres pour un rendement optimal et pour réduire les risques de blessure. Suivez les instructions concernant le graissage et le remplacement des accessoires. Gardez les poignées de l'outil sèches, propres et sans traces d'huile ou de graisse.
42. **Vérifiez s'il y a des pièces endommagées.** Avant de réutiliser l'outil, vérifiez soigneusement toute pièce endommagée afin de vous assurer qu'elle fonctionne correctement et qu'elle remplit sa fonction prévue. Vérifiez que les pièces mobiles sont bien alignées et qu'elles ne sont pas coincées, qu'il n'y a pas de pièces cassées ou mal montées, et toute autre condition pouvant affecter le bon fonctionnement. Toute pièce endommagée (protecteur, etc.) doit être correctement réparée ou remplacée par un centre de service après-vente agréé.
43. **Utilisez toujours exclusivement des pièces de rechange d'origine.**

## **CONSERVEZ CES INSTRUCTIONS.**

**⚠ MISE EN GARDE** : NE vous laissez PAS tromper (au fil d'une utilisation répétée) par un sentiment d'aisance ou de familiarité avec le produit en négligeant les consignes de sécurité qui accompagnent le produit. UNE UTILISATION INCORRECTE ou le non-respect des règles de sécurité énoncées dans le présent manuel d'instructions peut provoquer des blessures graves.

**⚠ MISE EN GARDE** : L'utilisation de ce produit peut générer des poussières contenant des substances chimiques, lesquelles peuvent causer des problèmes respiratoires ou autres maladies. Parmi ces substances chimiques figurent les composés que l'on retrouve dans les pesticides, insecticides, fertilisants et herbicides.

Les risques liés à l'exposition varient suivant la fréquence d'exécution du type de travail en question. Pour réduire votre exposition à ces substances chimiques : travaillez dans un emplacement bien aéré et avec des dispositifs de sécurité approuvés, tels que les masques antipoussières spécialement conçus pour filtrer les particules microscopiques.

## Symboles

Les symboles utilisés pour l'outil sont indiqués ci-dessous.

|                    |                                 |
|--------------------|---------------------------------|
| V                  | volts                           |
| —<br>---           | courant continu                 |
| $n_r$              | vitesse à vide                  |
| ... /min<br>r /min | tours ou alternances par minute |

## Consignes de sécurité importantes pour la batterie

1. Avant d'utiliser la batterie, lisez toutes les instructions et les mises en garde apposées sur (1) le chargeur de batterie, (2) la batterie et (3) le produit utilisant la batterie.
2. Ne démontez pas la batterie.
3. Cessez immédiatement l'utilisation si le temps de fonctionnement devient excessivement court. Il y a risque de surchauffe, de brûlures, voire d'explosion.
4. Si l'électrolyte pénètre dans vos yeux, rincez-les à l'eau claire et consultez immédiatement un médecin. Il y a risque de perte de la vue.
5. Ne court-circuitez pas la batterie :
  - (1) Ne touchez les bornes avec aucun matériau conducteur.
  - (2) Évitez de ranger la batterie dans un conteneur avec d'autres objets métalliques tels que clous, pièces de monnaie, etc.
  - (3) Évitez d'exposer la batterie à l'eau ou à la pluie.

Un court-circuit de la batterie pourrait provoquer un fort courant, une surchauffe, parfois des brûlures et même une panne.

6. Ne rangez pas l'outil ou la batterie dans des emplacements où la température peut atteindre ou dépasser 50 °C (122 °F).
7. Ne jetez pas la batterie au feu même si elle est sérieusement endommagée ou complètement épuisée. La batterie peut exploser au contact du feu.
8. Prenez garde d'échapper ou de heurter la batterie.
9. N'utilisez pas une batterie si elle est endommagée.
10. Les batteries lithium-ion fournies sont soumises aux exigences de la législation sur les marchandises dangereuses.  
Des exigences particulières sur l'emballage et l'étiquetage doivent être respectées lors du transport commercial par des tiers, des transitaires, etc. Pour préparer la marchandise à expédier, consultez un expert en matériaux dangereux si nécessaire. Respectez aussi les éventuelles réglementations nationales plus détaillées.  
Recouvrez de ruban isolant les contacts exposés, et emballez la batterie de sorte qu'elle ne puisse pas se déplacer à l'intérieur de l'emballage.
11. Lors de l'élimination de la batterie, retirez-la de l'outil et éliminez-la dans un endroit sûr. Respectez la réglementation locale concernant l'élimination de la batterie.
12. N'utilisez les batteries qu'avec les produits spécifiés par Makita. Installer les batteries sur des produits non conformes peut entraîner un incendie, une chaleur excessive, une explosion ou une fuite d'électrolyte.
13. Si l'outil reste inutilisé pour une période prolongée, la batterie doit en être retirée.

## CONSERVEZ CES INSTRUCTIONS.

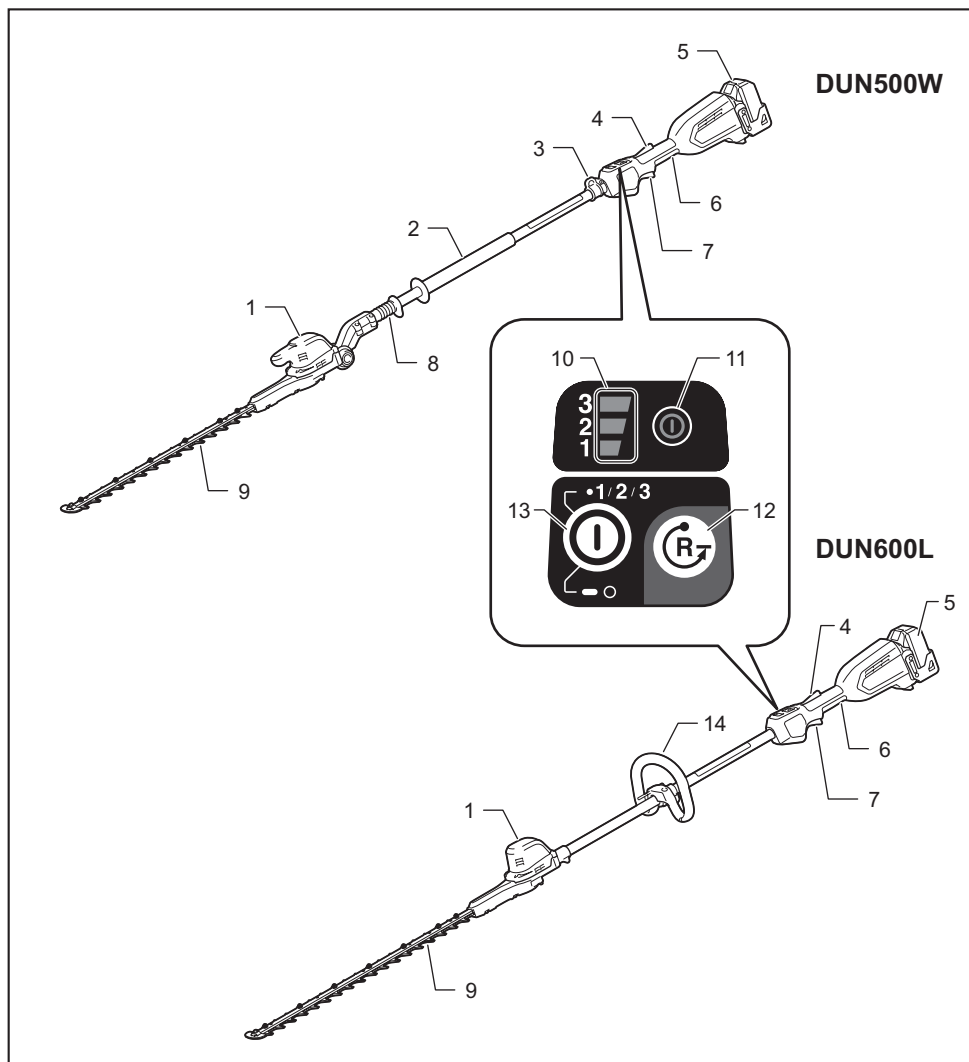
**⚠ ATTENTION** : Utilisez exclusivement les batteries fabriquées par Makita. Les batteries autres que celles fabriquées par Makita ou les batteries modifiées peuvent exploser et causer un incendie, une blessure ou des dommages. Cela annule aussi la garantie Makita de l'outil et du chargeur Makita.

## Conseils pour maintenir la durée de service maximale de la batterie

1. Rechargez la batterie avant qu'elle ne soit complètement déchargée. Arrêtez toujours l'outil et rechargez la batterie quand vous remarquez que la puissance de l'outil diminue.
2. Ne rechargez jamais une batterie complètement chargée. La surcharge réduit la durée de service de la batterie.
3. Chargez la batterie à une température ambiante comprise entre 10 °C et 40 °C (50 °F et 104 °F). Si la batterie est chaude, laissez-la refroidir avant de la charger.
4. Chargez la batterie si elle est restée inutilisée pendant une période prolongée (plus de six mois).



# DESCRIPTION DES PIÈCES



|    |                                  |    |                       |    |                       |    |                    |
|----|----------------------------------|----|-----------------------|----|-----------------------|----|--------------------|
| 1  | Tête                             | 2  | Poignée avant         | 3  | Attache               | 4  | Levier             |
| 5  | Batterie                         | 6  | Poignée arrière       | 7  | Gâchette              | 8  | Manchon coulissant |
| 9  | Lames de cisaillement            | 10 | Indicateur de vitesse | 11 | Témoin d'alimentation | 12 | Bouton inverseur   |
| 13 | Bouton d'alimentation principale | 14 | Guidon                | -  | -                     | -  | -                  |

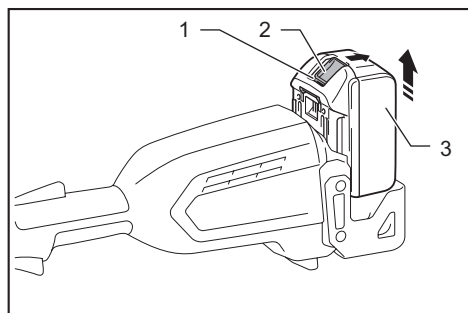
# DESCRIPTION DU FONCTIONNEMENT

**⚠ ATTENTION :** Assurez-vous toujours que l'outil est éteint et que sa batterie est retirée avant de l'ajuster ou de vérifier son fonctionnement.

## Installation ou retrait de la batterie

**⚠ ATTENTION :** Éteignez toujours l'outil avant d'installer ou de retirer la batterie.

**⚠ ATTENTION :** Tenez fermement l'outil et la batterie lors de l'installation ou du retrait de cette dernière. Si l'outil et la batterie ne sont pas tenus fermement, ils risquent de vous glisser des mains et de subir des dommages, ou encore de vous blesser.



► 1. Voyant rouge 2. Bouton 3. Batterie

Pour retirer la batterie, faites-la glisser hors de l'outil tout en glissant le bouton qui se trouve à l'avant.

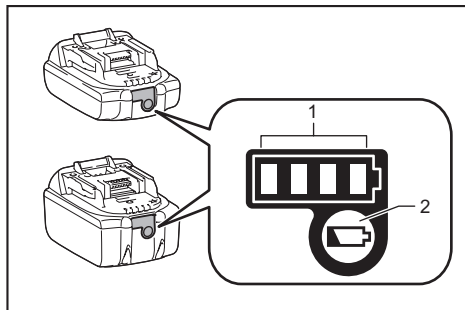
Pour installer la batterie, alignez sa languette sur la rainure pratiquée dans le boîtier, et glissez la batterie en place. Insérez-la à fond jusqu'à ce que vous entendiez un léger déclic. Si vous pouvez voir le voyant rouge sur le dessus du bouton, la batterie n'est pas complètement verrouillée.

**⚠ ATTENTION :** Installez toujours la batterie à fond jusqu'à ce que vous ne puissiez plus voir le voyant rouge. Autrement elle risque de tomber accidentellement de l'outil et d'entraîner des blessures.

**⚠ ATTENTION :** Ne forcez pas sur la batterie pour l'installer. Si la batterie ne glisse pas facilement, c'est qu'elle n'est pas insérée correctement.

## Affichage de la charge restante de la batterie

Uniquement pour les batteries avec voyant



► 1. Témoins indicateurs 2. Bouton de vérification













Appuyez sur le bouton de vérification de la batterie pour afficher la charge restante de la batterie. Les témoins indicateurs s'allument pendant quelques secondes.

| Témoins indicateurs |        |            | Charge restante                         |
|---------------------|--------|------------|---|
| Allumé              | Éteint | Clignotant |   |
| ■                   | □      | ◐          | 75 % à 100 %                            |
| ■                   | ■      | □          | 50 % à 75 %                             |
| ■                   | ■      | □          | 25 % à 50 %                             |
| ■                   | □      | □          | 0 % à 25 %                              |
| ◐                   | □      | □          | Chargez la batterie.                    |
| ■                   | ■      | □          | La batterie a peut-être mal fonctionné. |
| □                   | □      | ■          |   |

**NOTE :** Suivant les conditions d'utilisation et la température ambiante, il se peut que l'indication soit légèrement différente de la charge réelle.

## Dispositif de protection de l'outil et de la batterie

L'outil est équipé d'un système de protection d'outil/batterie. Ce système coupe automatiquement l'alimentation du moteur pour augmenter la durée de vie de l'outil et de la batterie. L'outil s'arrête automatiquement pendant l'utilisation lorsque l'outil ou la batterie est dans l'une des situations suivantes :

| État               | Témoins indicateurs   |   |                                     |
|--------------------|---|---|-------------------------------------|
|                    | <input type="checkbox"/> Allumé   | <input type="checkbox"/> Éteint   | <input type="checkbox"/> Clignotant |
| Surcharge          |   | <b>3</b> <input type="checkbox"/> <br><b>2</b> <input type="checkbox"/> <br><b>1</b> <input type="checkbox"/>  |                                     |
| Surchauffe         | <b>3</b> <input type="checkbox"/> <br><b>2</b> <input type="checkbox"/> <br><b>1</b> <input type="checkbox"/>  | <b>3</b> <input type="checkbox"/> <br><b>2</b> <input type="checkbox"/> <br><b>1</b> <input type="checkbox"/>  |                                     |
| Décharge excessive |   | <b>3</b> <input type="checkbox"/> <br><b>2</b> <input type="checkbox"/> <br><b>1</b> <input type="checkbox"/>  |                                     |

### Protection contre la surcharge

Si l'outil est surchargé par des branches ou autres débris enchevêtrés, les indicateurs de « 2 » et « 3 » se mettent à clignoter et l'outil s'arrête automatiquement. Dans cette situation, éteignez l'outil et arrêtez l'activité qui entraîne une surcharge de l'outil. Rallumez ensuite l'outil pour redémarrer.

**AVIS** : Suivant les conditions d'utilisation, l'outil s'éteint automatiquement sans aucune indication s'il est surchargé par des branches ou débris enchevêtrés. Le cas échéant, éteignez l'outil et retirez la batterie, puis enlevez les branches ou débris enchevêtrés à l'aide d'une pince ou autre outil. Après avoir retiré les branches ou débris, installez la batterie et rallumez l'outil.

### Protection contre la surchauffe pour outil ou batterie

Il y a deux types de surchauffe : la surchauffe de l'outil et la surchauffe de la batterie. Lorsque c'est l'outil qui surchauffe, tous les indicateurs de vitesse clignotent. Lorsque c'est la batterie qui surchauffe, l'indicateur de « 1 » clignote.

Lorsqu'il y a surchauffe, l'outil s'arrête automatiquement. Laissez refroidir l'outil et/ou la batterie avant de rallumer l'outil.

### Protection contre la décharge excessive

Lorsque la charge de la batterie devient faible, l'outil s'arrête automatiquement et l'indicateur de « 1 » clignote.

Si l'outil ne fonctionne pas même si vous activez les commandes, retirez la batterie de l'outil et chargez-la.

## Fonctionnement de l'interrupteur d'alimentation

**⚠ MISE EN GARDE** : Pour votre sécurité, cet outil est équipé d'un levier qui prévient son démarrage accidentel. N'utilisez JAMAIS l'outil s'il s'active lorsque vous appuyez simplement sur la gâchette sans enfoncer le levier. AVANT de poursuivre l'utilisation, retournez l'outil à notre centre de service après-vente agréé pour le faire réparer.

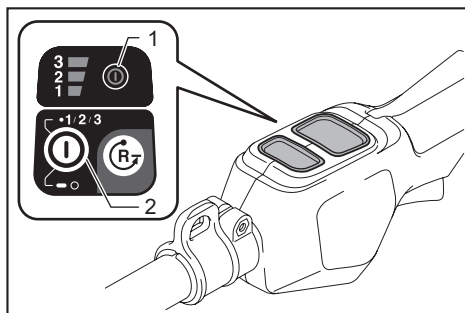
**⚠ MISE EN GARDE** : Le levier ne doit JAMAIS être immobilisé avec du ruban adhésif, ni modifié dans son utilité ou dans son fonctionnement.

**⚠ MISE EN GARDE** : Avant d'installer la batterie sur l'outil, vérifiez toujours que la gâchette et le levier fonctionnent bien et reviennent en position d'arrêt lorsque libérés. Utiliser un outil dont les commandes ne fonctionnent pas bien peut entraîner la perte de contrôle de l'outil et une blessure grave.

**⚠ ATTENTION** : Ne mettez jamais le doigt sur le commutateur lorsque vous transportez l'outil. L'outil risquerait de démarrer accidentellement et de causer une blessure.

**AVIS** : N'appuyez pas fortement sur la gâchette sans enfoncer le levier. Cela peut casser l'interrupteur.

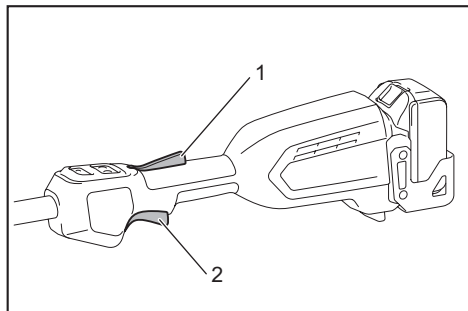
Appuyez sur le bouton d'alimentation pour allumer l'outil. Le témoin d'alimentation s'allume lorsque l'outil est allumé. Pour éteindre l'outil, maintenez enfoncé le bouton d'alimentation. Le témoin d'alimentation s'éteint lorsque l'outil est éteint.



► 1. Témoin d'alimentation 2. Bouton d'alimentation principale

**NOTE** : L'outil s'éteint automatiquement s'il reste inutilisé pendant un certain temps.

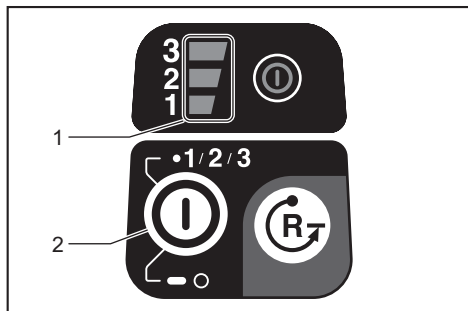
Un levier est fourni pour prévenir la pression accidentelle sur la gâchette. Pour démarrer l'outil, appuyez sur la gâchette tout en enfonçant le levier. Pour arrêter l'outil, relâchez la gâchette.



► 1. Levier 2. Gâchette

## Réglage de la vitesse

Vous pouvez régler la vitesse de l'outil en appuyant sur le bouton d'alimentation. Chaque fois que vous appuyez sur le bouton d'alimentation, le niveau de vitesse change.



► 1. Indicateur de vitesse 2. Bouton d'alimentation principale

| Indicateur        | Mode  | Vitesse de cisaillement |
|-------------------|-------|-------------------------|
| 3 █<br>2 █<br>1 █ | Élevé | 4 400/min               |
| 3 █<br>2 █<br>1 █ | Moyen | 3 600/min               |
| 3 █<br>2 █<br>1 █ | Bas   | 2 000/min               |

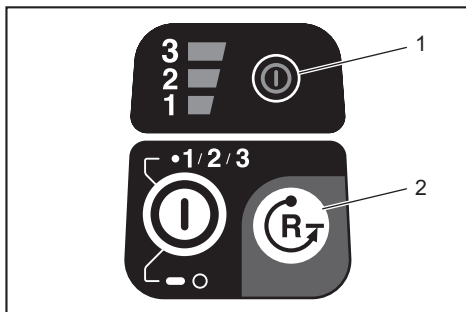
## Bouton inverseur pour le retrait des débris

**⚠ MISE EN GARDE :** Si les branches ou débris enchevêtrés ne peuvent être enlevés par la fonction de marche arrière, éteignez l'outil et retirez la batterie, puis enlevez les branches ou débris enchevêtrés à l'aide d'une pince ou autre outil. En n'éteignant pas l'outil et en ne retirant pas la batterie, vous risquez de provoquer un démarrage accidentel et de subir une grave blessure. En retirant les branches ou débris enchevêtrés avec la main, vous risquez de vous blesser car les lames de cisaillement peuvent bouger lors de leur retrait.

Cet outil est doté d'un bouton de marche arrière pour changer le sens de déplacement des lames de cisaillement. Il sert uniquement au retrait des branches et débris enchevêtrés dans l'outil.

Pour inverser le mouvement des lames de cisaillement, appuyez sur le bouton de marche arrière lorsque les lames de cisaillement sont arrêtées, puis appuyez sur la gâchette tout en enfonçant le levier. Le témoin d'alimentation se met à clignoter et les lames de cisaillement se déplacent en sens contraire.

Une fois les branches et débris enchevêtrés retirés, l'outil revient à son sens de déplacement normal et le témoin d'alimentation cesse de clignoter et reste allumé.



► 1. Témoin d'alimentation 2. Bouton inverseur

**NOTE :** S'il n'est pas possible de retirer les branches ou débris enchevêtrés, libérez la gâchette, appuyez sur le bouton de marche arrière puis appuyez sur la gâchette jusqu'à ce qu'ils soient retirés.

**NOTE :** Si vous appuyez sur le bouton de marche arrière pendant que les lames de cisaillement se déplacent encore, l'outil s'arrête et est prêt pour le déplacement en marche arrière.

## Réglage de l'angle de coupe

**⚠ATTENTION** : Avant de plier ou déplier la tête, assurez-vous toujours que l'outil est éteint.

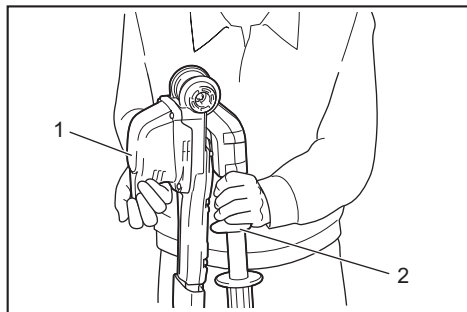
**⚠ATTENTION** : Lorsque vous pliez la tête pour transporter l'outil, ou après avoir utilisé l'outil, veillez à fixer le couvre-lames avant de plier la tête.

**⚠ATTENTION** : Lorsque vous pliez la tête, prenez garde de vous pincer les doigts entre la tête et le manchon coulissant.

### Pour DUN500W

L'angle de la tête peut être réglé sur 6 niveaux. Pour modifier l'angle de la tête, suivez les étapes ci-dessous.

1. Tenez la tête et le manchon coulissant tel qu'indiqué sur la figure.



- 1. Tête 2. Manchon coulissant

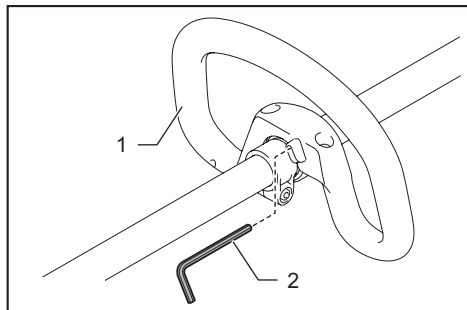
2. Déplacez la tête tout en maintenant le manchon coulissant abaissé, puis libérez ce dernier.
3. Déplacez légèrement la tête, jusqu'à ce qu'elle se verrouille avec un déclic.

**NOTE** : Assurez-vous que la tête est bien verrouillée avant d'utiliser l'outil.

## Rangement de la clé hexagonale

### Pour DUN600L

Lorsqu'elle n'est pas utilisée, rangez la clé hexagonale tel qu'illustré pour éviter de la perdre.



- 1. Poignée 2. Clé hexagonale

## Frein électrique

Cet outil est muni d'un frein électrique. Si la libération du levier de la gâchette ne permet jamais d'arrêter promptement l'outil, faites-le réparer dans un centre de service après-vente Makita.

## ASSEMBLAGE

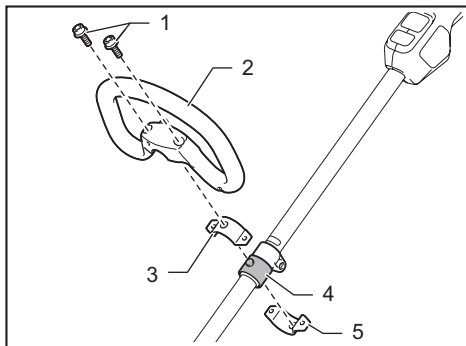
**⚠ATTENTION** : Assurez-vous toujours que l'outil est éteint et que sa batterie est retirée avant d'effectuer tout travail dessus.

**⚠ATTENTION** : Lorsque vous remplacez les lames de cisaillement, portez toujours des gants de sorte que vos mains ne touchent pas directement les lames.

## Pose du guidon

### Pour DUN600L

1. Fixez les colliers de serrage supérieur et inférieur sur l'amortisseur.
2. Mettez la poignée sur le collier de serrage supérieur et fixez-la à l'aide des boulons tel qu'illustré.



- 1. Boulon 2. Guidon 3. Collier de serrage supérieur 4. Amortisseur 5. Collier de serrage inférieur

## Pose ou retrait des lames de cisaillement

**⚠ATTENTION** : Fixez le couvre-lames avant de retirer ou de poser les lames de cisaillement.

**AVIS** : Lorsque vous remplacez les lames de cisaillement, n'essayez pas la graisse de l'engrenage et de la manivelle.

**AVIS** :

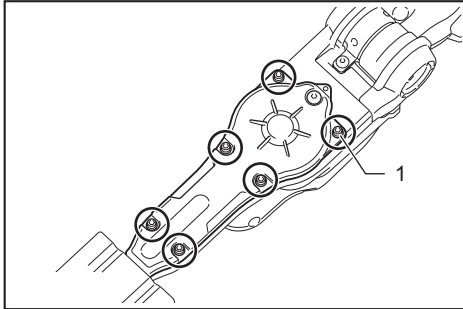
Pour DUN500W

N'installez pas de lames de cisaillement 600 mm (23-5/8") sur votre outil. Vous ne pourrez pas plier la tête de l'outil si des lames de cisaillement 600 mm (23-5/8") y sont installées.

**NOTE :**  
**Pour DUN500W**

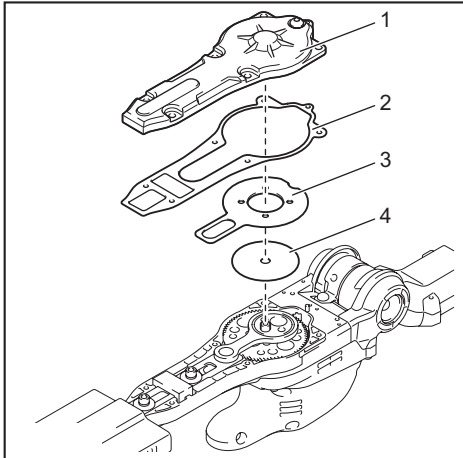
Avant d'installer ou de retirer les lames de cisaillement, dépliez la tête de l'outil de sorte qu'elle soit bien droite par rapport au bâti de l'outil.

1. Mettez l'outil à l'envers, puis retirez les 6 boulons.



- 1. Boulon

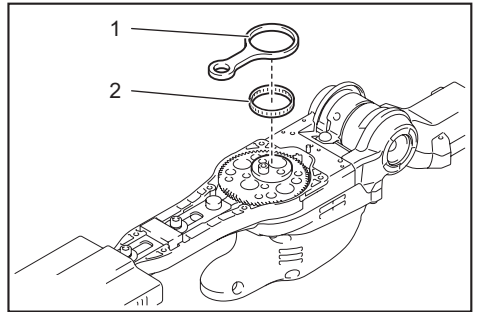
2. Retirez le couvercle, le joint, la plaque A et la plaque B.



- 1. Couvercle 2. Joint 3. Plaque A 4. Plaque B

**NOTE :** Le joint ou les plaques peuvent rester sur le couvercle.

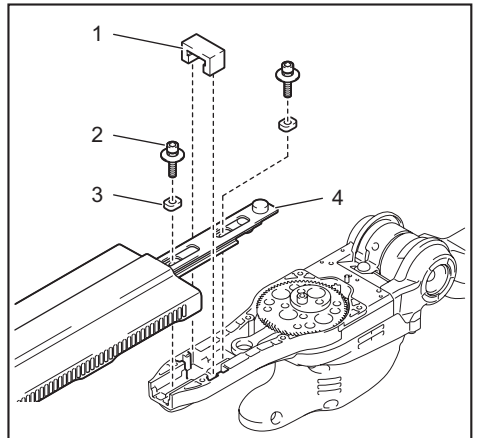
3. Retirez la tige et le palier.



- 1. Tige 2. Palier

**NOTE :** La tige ou le palier peuvent rester sur le couvercle.

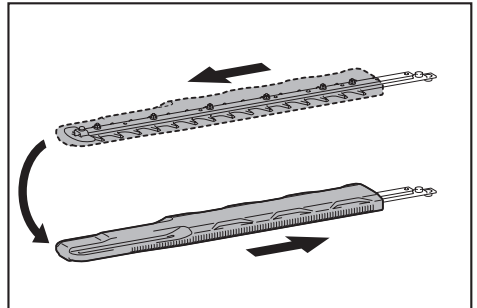
4. Retirez 2 boulons, 2 manchons et le coussinet de feutre, puis retirez les lames de cisaillement.



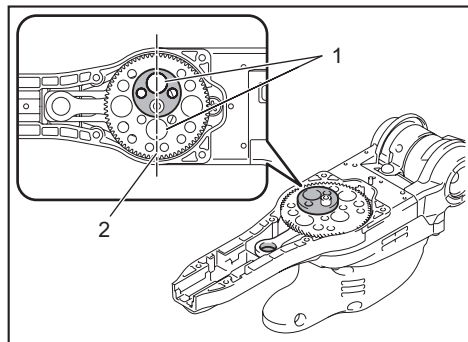
- 1. Coussinet de feutre 2. Boulon 3. Manchon  
4. Lames de cisaillement

**AVIS :** Prenez garde de perdre les boulons.

5. Retirez le couvre-lames, puis fixez-le aux nouvelles lames de cisaillement.

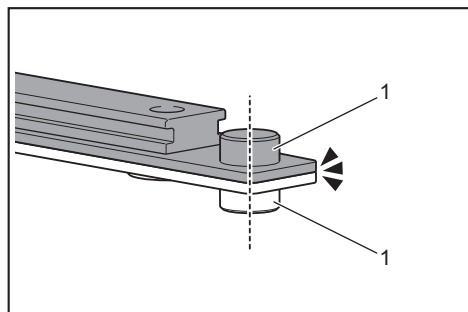


6. Ajustez la manivelle de sorte que les 2 trous soient alignés sur la ligne d'alignement.



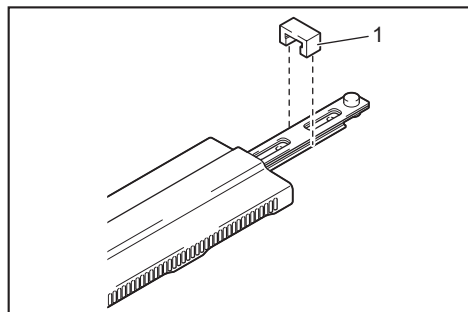
► 1. Trou 2. Ligne d'alignement

7. Alignez les parties saillantes des lames de cisaillement verticalement à la même position.



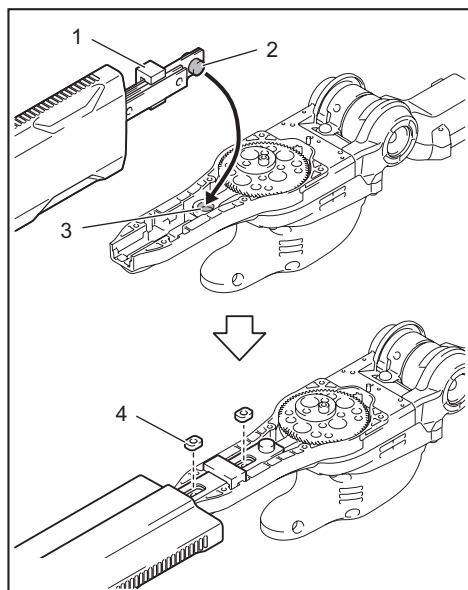
► 1. Partie saillante

8. Fixez le coussinet de feutre aux lames de cisaillement.



► 1. Coussinet de feutre

9. Insérez la partie saillante des lames de cisaillement dans le trou de la tige, puis alignez la position du coussinet de feutre sur les trous de l'outil, puis fixez les manchons.

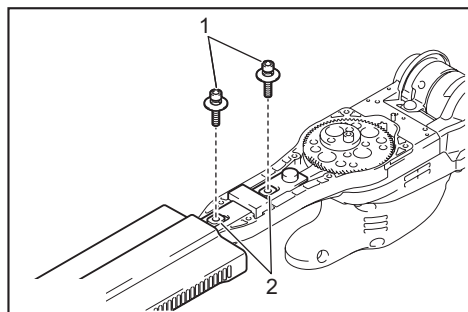


► 1. Coussinet de feutre 2. Partie saillante 3. Trou  
4. Manchon

**AVIS :** Appliquez une petite quantité de graisse sur la bordure intérieure du trou de la tige.

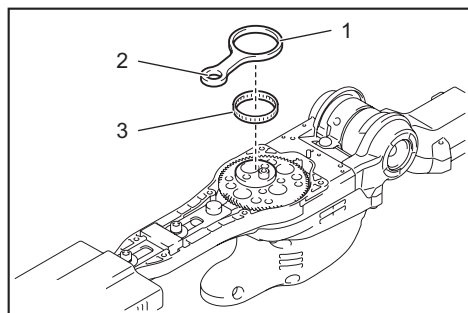
**AVIS :** Prenez garde de perdre les manchons.

10. Alignez les trous des manchons et des lames de cisaillement sur les trous de l'outil, puis serrez les 2 boulons pour fixer les lames de cisaillement.



► 1. Boulon 2. Trou

11. Fixez le palier et la tige.

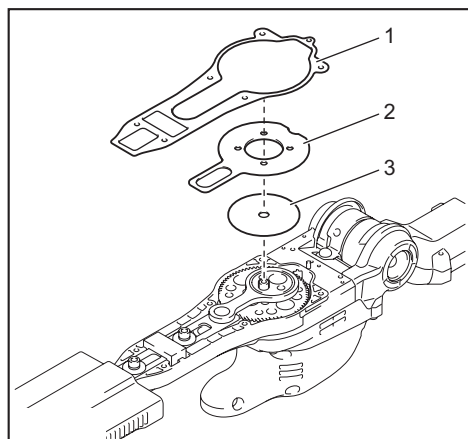


► 1. Tige 2. Petit trou 3. Palier

**AVIS :** Appliquez une petite quantité de graisse sur la bordure intérieure du petit trou de la tige.

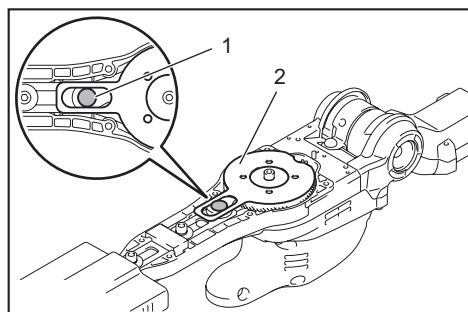
**AVIS :** Assurez-vous que la partie saillante des lames de cisaillement pénètre dans le petit trou de la tige.

12. Fixez la plaque B, la plaque A et le joint.



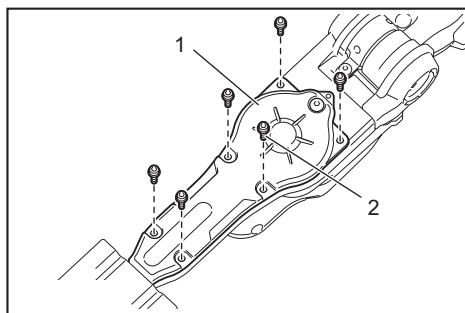
► 1. Joint 2. Plaque A 3. Plaque B

13. Alignez le trou de la plaque sur la partie saillante des lames de cisaillement de sorte que la partie saillante s'insère dans le trou.



► 1. Partie saillante 2. Plaque

14. Fixez le couvercle, puis serrez les 6 boulons.



► 1. Couvercle 2. Boulon

**AVIS :** Si les lames de cisaillement ne se déplacent pas sans à-coups, c'est qu'elles ne sont pas bien engagées dans les tiges. Réinstallez les lames de cisaillement.

**AVIS :** Si les tiges ou autres pièces que les lames de cisaillement sont usées, demandez à un centre de service après-vente Makita de remplacer ou réparer les pièces.

## UTILISATION

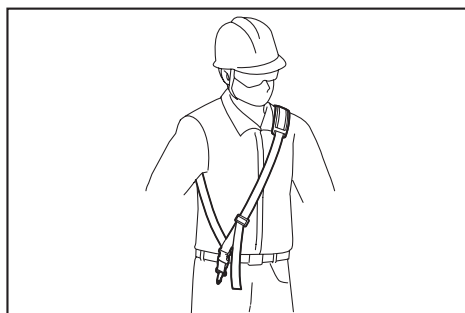
### Pose de la sangle d'épaule

*Accessoire en option pour DUN500W*

**⚠ATTENTION :** Avant l'utilisation, assurez-vous que la sangle d'épaule est fixée correctement à l'attache sur l'outil.

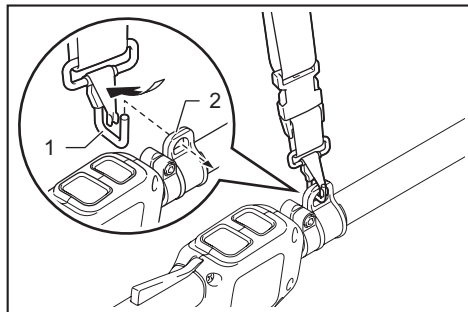
**NOTE :** Utilisez la sangle d'épaule fixée à l'outil. Avant d'exécuter le travail, ajustez la sangle d'épaule à votre taille pour éviter de vous fatiguer.

1. Portez la sangle d'épaule sur votre épaule.



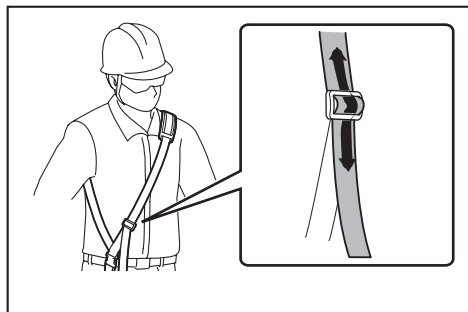


2. Fixez le crochet de la sangle d'épaule à l'attache de l'outil.



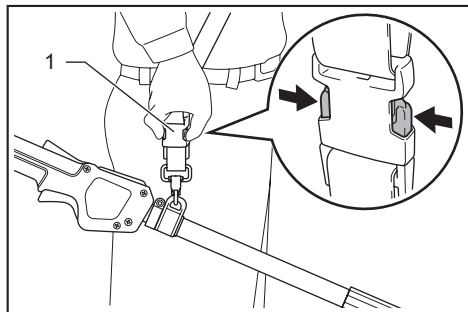
- 1. Crochet 2. Attache

3. Réglez la sangle d'épaule pour une position de travail confortable.



La sangle d'épaule est dotée d'un dispositif de retrait rapide.

Pressez simplement les côtés de la boucle pour libérer l'outil de la sangle d'épaule.



- 1. Boucle

## Utilisation de l'outil

**⚠ MISE EN GARDE :** N'utilisez pas l'outil près des lignes électriques. Le contact avec des lignes électriques ou l'utilisation près de celles-ci peut causer des blessures graves ou une décharge électrique pouvant entraîner la mort.

**⚠ MISE EN GARDE :** Gardez les mains à l'écart des lames de cisaillement.

**⚠ MISE EN GARDE :** Redoublez de prudence pour garder le contrôle de l'outil en tout temps. Ne laissez pas l'outil dévier vers vous ou vers quiconque près de la zone de travail. La perte de contrôle de l'outil peut causer de graves blessures, aussi bien à vous-même qu'aux personnes présentes.

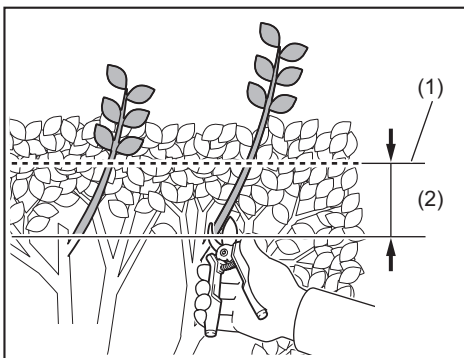
**⚠ ATTENTION :** Autant que possible, évitez d'utiliser l'outil par temps très chaud. Lorsque vous utilisez l'outil, soyez attentif à votre condition physique.

**⚠ ATTENTION :** Prenez garde de toucher accidentellement une clôture métallique ou autre objet dur en taillant. Les lames de cisaillement risqueraient de se casser et de causer une blessure.

**⚠ ATTENTION :** Prenez garde de laisser les lames de cisaillement toucher le sol. L'outil risquerait de faire un bond vers l'arrière et de causer une blessure.

**⚠ ATTENTION :** Il est extrêmement dangereux de trop tendre les bras avec une taille-haie, et ce tout particulièrement sur une échelle. Ne montez jamais sur un objet branlant ou fragile pour effectuer le travail.

**AVIS :** N'essayez pas de couper des branches d'un diamètre supérieur à 10 mm (3/8") avec l'outil. Avant d'utiliser l'outil, coupez d'abord les branches 10 cm (4") plus bas que la hauteur de coupe, à l'aide d'un ébrancheur.



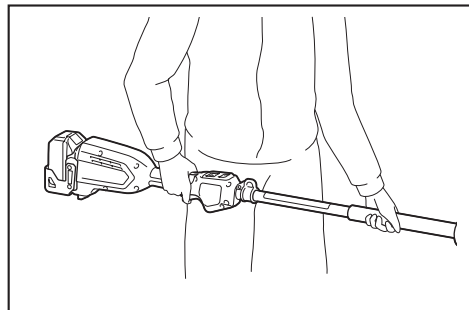
- (1) Hauteur de coupe (2) 10 cm (4")

**AVIS : Ne découpez pas en morceaux les arbres morts et objets durs similaires. Cela risquerait d'endommager l'outil.**

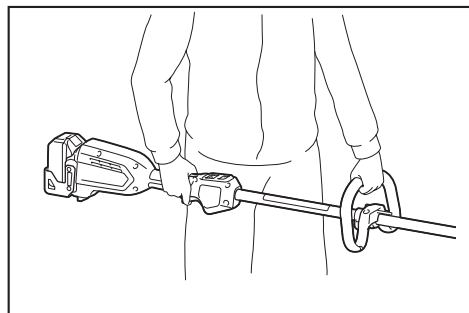
**AVIS : Ne taillez pas les herbes ou les mauvaises herbes pendant l'utilisation des lames de cisaillement. Les lames de cisaillement risqueraient de s'enchevêtrer dans les herbes ou les mauvaises herbes.**

Tenez l'outil à deux mains.

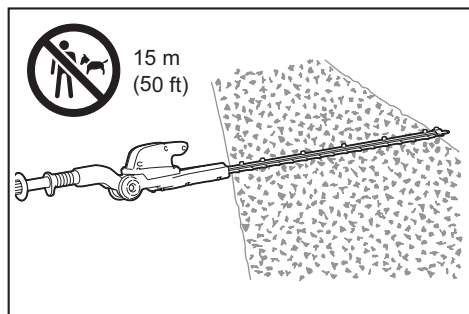
**Pour DUN500W**



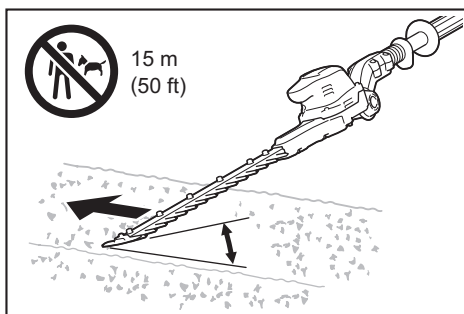
**Pour DUN600L**



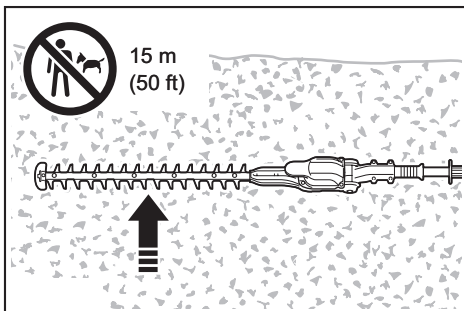
Appuyez sur la gâchette tout en enfonçant le levier, puis déplacez l'outil vers l'avant.



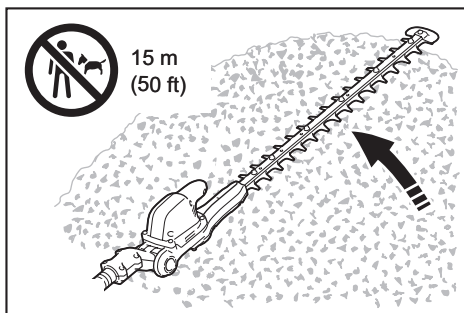
Pour une utilisation de base, inclinez les lames de cisaillement dans le sens de la taille et déplacez l'outil doucement et lentement à une vitesse de 3 à 4 secondes par mètre.



Pour couper le côté de la haie de manière uniforme, coupez du bas vers le haut.



Lorsque vous taillez pour faire une forme ronde (taille d'un buis, d'un rhododendron, etc.), taillez de la racine vers le haut pour obtenir un beau résultat.



# ENTRETIEN

**⚠ ATTENTION :** Assurez-vous toujours que l'outil est hors tension et que la batterie est retirée avant d'y effectuer tout travail d'inspection ou d'entretien.

**⚠ ATTENTION :** Déposez toujours l'outil avant de procéder à son inspection ou son entretien. Assembler ou régler l'outil en position verticale peut entraîner une grave blessure.

Pour maintenir la SÉCURITÉ et la FIABILITÉ du produit, les réparations et tout autre travail d'entretien ou de réglage doivent être effectués dans un centre de service après-vente autorisé ou une usine Makita, exclusivement avec des pièces de rechange Makita.

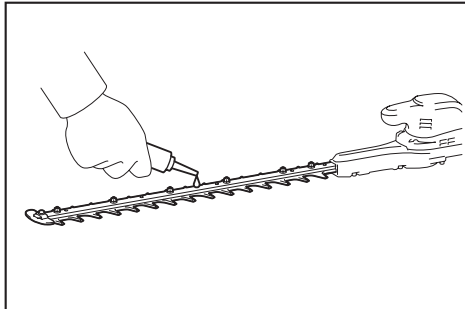
## Nettoyage de l'outil

Nettoyez l'outil en essuyant les poussières avec un linge sec ou trempé dans une eau savonneuse et essoré.

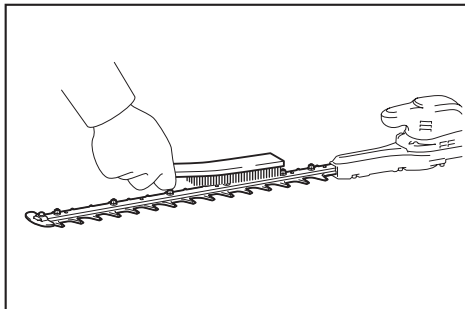
**AVIS :** N'utilisez jamais d'essence, de benzine, de solvant, d'alcool ou autres produits similaires. Une décoloration, une déformation ou la formation de fissures peuvent en découler.

## Entretien de la lame de cisaillement

Avant l'utilisation ou après chaque heure d'utilisation, appliquez une huile à faible viscosité (huile à machine ou huile lubrifiante en vaporisateur) sur les lames de cisaillement.



Après l'utilisation, enlevez les poussières des deux côtés des lames de cisaillement avec une brosse métallique, essuyez avec un linge puis appliquez l'huile à faible viscosité (huile à machine ou huile lubrifiante en vaporisateur) sur les lames de cisaillement.



**AVIS :** Ne lavez pas les lames de cisaillement dans l'eau. Cela risquerait de causer de la rouille ou d'endommager l'outil.

**AVIS :** Les saletés et la corrosion causent une friction excessive sur la lame et réduisent la durée de fonctionnement par charge de batterie.

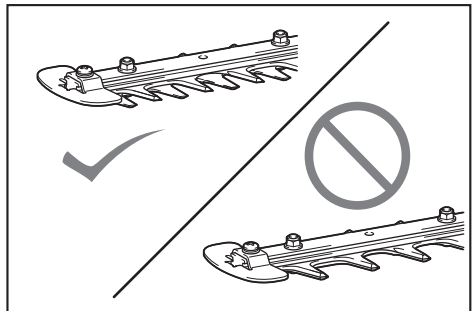
## Remisage

Fixez le couvre-lames aux lames de cisaillement de sorte que les lames ne soient pas dénudées. Rangez l'outil hors de la portée des enfants. Rangez l'outil dans un emplacement non exposé à l'humidité ou à la pluie.

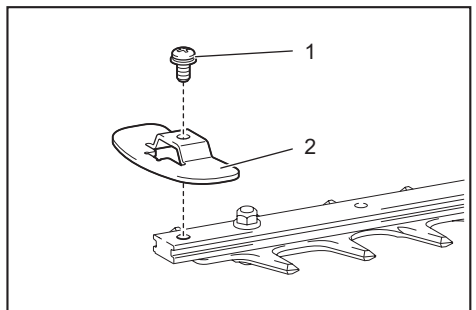
## Aiguillage des lames de cisaillement

**AVIS :** Si les lames de cisaillement sont considérablement déformées par l'aiguillage, remplacez-les par des neuves.

1. Installez la batterie sur l'outil.
2. Allumez et démarrez l'outil de sorte que la lame supérieure et la lame inférieure soient disposées en alternance.

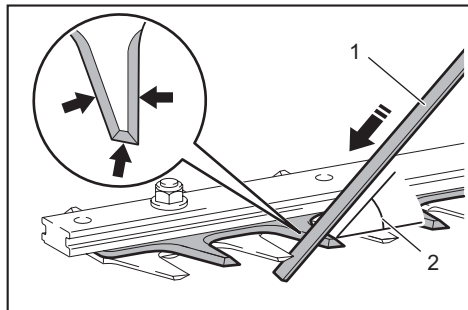


3. Éteignez l'outil et retirez la batterie.
4. Retirez la vis, puis retirez l'attrape-branche.



- 1. Vis 2. Attrape-branche

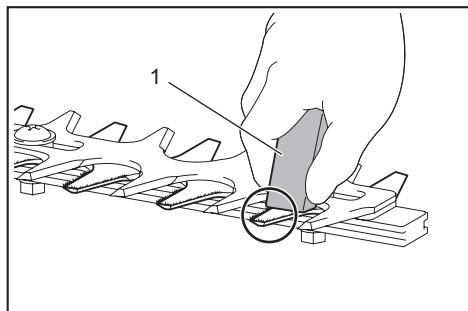
5. En plaçant une lime sur un angle de 45°, aiguisiez la lame supérieure dans 3 directions à l'aide de la lime.



► (1) Lime (2) 45°

**ATTENTION** : Avant d'aiguiser les lames de cisaillement, assurez-vous que l'outil est éteint et la batterie retirée.

6. Mettez l'outil à l'envers, puis retirez les bavures sur les lames de cisaillement à l'aide de la lime.



► 1. Lime

7. En plaçant une lime sur un angle de 45°, aiguisiez la lame inférieure dans 3 directions à l'aide de la lime.

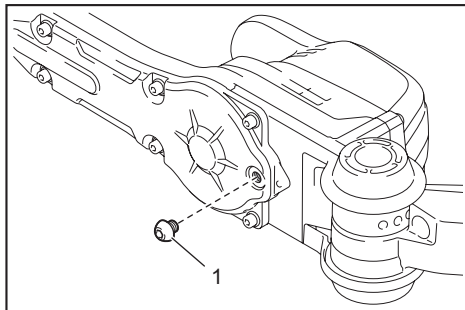
8. Remettez l'outil à l'endroit, puis retirez les bavures sur les lames de cisaillement à l'aide de la lime.

9. Fixez l'attrape-branche en serrant la vis.

## Lubrification à la graisse

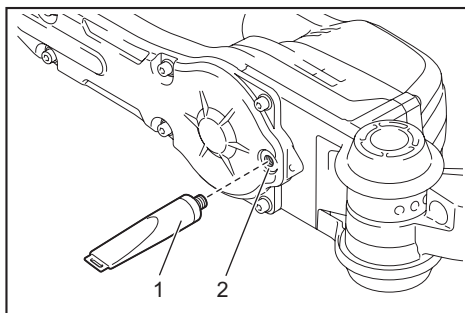
**Intervalle de lubrification** : Toutes les 25 heures d'utilisation

1. Retirez le boulon du trou de lubrification.



► 1. Boulon

2. Retirez le bouchon du récipient de graissage. Alignez la prise de sortie du récipient de graissage sur le trou du couvercle, puis appuyez la prise de sortie du récipient de graissage sur le trou.



► 1. Récipient de graissage 2. Trou

3. Appliquez de la graisse sur l'outil (à titre de référence, environ 5 g (0,2 oz)).

4. Serrez le boulon.

# DÉPANNAGE

Avant de faire une demande de réparation, faites d'abord votre propre inspection. Si vous rencontrez un problème non indiqué dans ce manuel, n'essayez pas de démonter l'outil. Demandez plutôt à un centre de service après-vente Makita agréé de faire la réparation avec des pièces de rechange Makita.

| État anormal   | Cause probable (dysfonctionnement)                                | Solution   |
|--|---|--|
| Le moteur ne tourne pas.   | La batterie n'est pas installée.                                  | Installez la batterie.   |
|  | Problème de batterie (tension insuffisante)                       | Rechargez la batterie. Si la recharge est sans effet, remplacez la batterie.   |
|  | Le dispositif d'entraînement ne fonctionne pas bien.              | Demandez à votre centre local de service après-vente agréé d'effectuer la réparation.  |
| Le moteur cesse de tourner au bout d'un court instant.   | La charge de la batterie est faible.                              | Rechargez la batterie. Si la recharge est sans effet, remplacez la batterie.   |
|  | Surchauffe.   | Arrêtez l'outil pour le laisser refroidir.   |
| L'outil n'atteint pas son régime maximal.  | La batterie est mal installée.                                    | Installez la batterie tel que décrit dans ce manuel.   |
|  | La puissance de la batterie diminue.                              | Rechargez la batterie. Si la recharge est sans effet, remplacez la batterie.   |
|  | Le dispositif d'entraînement ne fonctionne pas bien.              | Demandez à votre centre local de service après-vente agréé d'effectuer la réparation.  |
| Les lames de cisaillement ne bougent pas :<br>⇒ arrêtez immédiatement la machine !                     | Angle inadéquat des lames de cisaillement.                        | Assurez-vous que la tête est bien fixée sur l'angle d'utilisation.   |
|  | Des corps étrangers sont coincés entre les lames de cisaillement. | 1. Utilisez le bouton de marche arrière.<br>2. Éteignez l'outil, retirez la batterie, puis retirez les corps étrangers à l'aide d'un outil tel qu'une pince. |
|  | Le dispositif d'entraînement ne fonctionne pas bien.              | Demandez à votre centre local de service après-vente agréé d'effectuer la réparation.  |
| Vibration anormale :<br>⇒ arrêtez immédiatement la machine !   | Les lames de cisaillement sont cassées, pliées ou usées.          | Remplacez les lames de cisaillement.   |
|  | Le dispositif d'entraînement ne fonctionne pas bien.              | Demandez à votre centre local de service après-vente agréé d'effectuer la réparation.  |
| Impossible d'arrêter les lames de cisaillement et le moteur :<br>⇒ Retirez immédiatement la batterie ! | Dysfonctionnement électrique.                                     | Retirez la batterie et demandez à votre centre local de service après-vente agréé d'effectuer la réparation.   |

## ACCESSOIRES EN OPTION

**⚠ ATTENTION : Ces accessoires ou pièces complémentaires sont recommandés pour l'utilisation avec l'outil Makita spécifié dans ce manuel.** L'utilisation de tout autre accessoire ou pièce complémentaire peut comporter un risque de blessure. N'utilisez les accessoires ou pièces complémentaires qu'aux fins auxquelles ils ont été conçus.

Si vous désirez obtenir plus de détails sur ces accessoires, veuillez contacter le centre de service après-vente Makita le plus près.

- Ensemble de lame de cisaillement
- Récipient de graissage
- Sangle d'épaule
- Chargeur et batterie authentiques Makita

**NOTE :** Certains éléments de la liste peuvent être inclus avec l'outil comme accessoires standards. Ils peuvent varier suivant les pays.

## GARANTIE LIMITÉE MAKITA

Pour les conditions de garantie en vigueur qui s'appliquent à ce produit, veuillez vous reporter à la feuille de garantie en annexe. Si la feuille de garantie en annexe n'est pas disponible, reportez-vous aux détails de la garantie présentés sur le site Web de votre pays, ci-dessous.

États-Unis d'Amérique: [www.makitatools.com](http://www.makitatools.com)

Canada: [www.makita.ca](http://www.makita.ca)

Autres pays: [www.makita.com](http://www.makita.com)

## ESPECIFICACIONES

| Modelo:                        | DUN500W                                     | DUN600L                             |
|--------------------------------|---|-------------------------------------|
| Longitud de la cuchilla        | 500 mm (19-3/4")                            | 600 mm (23-5/8")                    |
| Carreras por minuto            | 2 000 cpm / 3 600 cpm / 4 400 cpm           |                                     |
| Ángulo de la cuchilla de corte | 115°<br>(hacia arriba 45°, hacia abajo 70°) | -                                   |
| Longitud total                 | 2 115 mm (83-1/4")                          | 2 050 mm (80-1/2")                  |
| Tensión nominal                | 18 V c.c.                                   |                                     |
| Peso neto                      | 3,9 kg - 4,2 kg (8,6 lbs - 9,3 lbs)         | 3,7 kg - 4,0 kg (8,2 lbs - 8,8 lbs) |

- Debido a nuestro continuo programa de investigación y desarrollo, las especificaciones aquí incluidas están sujetas a cambio sin previo aviso.
- Las especificaciones pueden variar de país a país.
- El peso puede variar en función de los accesorios, incluido el cartucho de batería. En la tabla se muestra la combinación de peso más ligero y más pesado conforme al procedimiento 01/2014 de EPTA.

## Cartucho de batería, adaptador para batería y cargador aplicables

|                        |  |
|------------------------|--|
| Cartucho de batería    | BL1815N / BL1820B / BL1830 / BL1830B / BL1840B / BL1850B / BL1860B |
| Adaptador para batería | PDC01  |
| Cargador               | DC18RC / DC18RD / DC18RE / DC18SD / DC18SE / DC18SF                |

- Algunos de los cartuchos de batería, adaptadores para batería y cargadores enumerados arriba podrían no estar disponibles dependiendo de su área de residencia.
- Antes de utilizar el adaptador para batería, lea las instrucciones e indicaciones de precaución sobre el adaptador para batería.

**⚠ ADVERTENCIA:** Use únicamente los cartuchos de batería, adaptadores para batería y los cargadores indicados arriba. El uso de cualquier otro cartucho de batería, adaptador para batería y cargador podría ocasionar una lesión y/o un incendio.

## ADVERTENCIAS DE SEGURIDAD

### Advertencias generales de seguridad para herramientas eléctricas

**⚠ ADVERTENCIA:** Lea todas las advertencias de seguridad, instrucciones, ilustraciones y especificaciones suministradas con esta herramienta eléctrica. El no seguir todas las instrucciones indicadas a continuación podría ocasionar una descarga eléctrica, incendio y/o lesiones graves.

### Conserve todas las advertencias e instrucciones como referencia en el futuro.

En las advertencias, el término "herramienta eléctrica" se refiere a su herramienta eléctrica de funcionamiento con conexión a la red eléctrica (con cableado eléctrico) o herramienta eléctrica de funcionamiento a batería (inalámbrica).

### Seguridad en el área de trabajo

1. **Mantenga el área de trabajo limpia y bien iluminada.** Las áreas oscuras o desordenadas son propensas a accidentes.
2. **No utilice las herramientas eléctricas en atmósferas explosivas, tal como en la presencia de líquidos, gases o polvo inflamables.** Las herramientas eléctricas crean chispas que pueden prender fuego al polvo o los humos.
3. **Mantenga a los niños y curiosos alejados mientras utiliza una herramienta eléctrica.** Las distracciones le pueden hacer perder el control.

### Seguridad eléctrica

1. **Las clavijas de conexión de las herramientas eléctricas deberán encajar perfectamente en la toma de corriente. No modifique nunca la clavija de conexión de ninguna forma. No utilice ninguna clavija adaptadora con herramientas eléctricas que tengan conexión a tierra (puesta a tierra).** La utilización de clavijas no modificadas y que encajen perfectamente en la toma de corriente reducirá el riesgo de que se produzca una descarga eléctrica.
2. **Evite tocar con el cuerpo superficies conectadas a tierra o puestas a tierra tales como tubos, radiadores, cocinas y refrigeradores.** Si su cuerpo es puesto

a tierra o conectado a tierra existirá un mayor riesgo de que sufra una descarga eléctrica.

3. **No exponga las herramientas eléctricas a la lluvia ni a condiciones húmedas.** La entrada de agua en una herramienta eléctrica aumentará el riesgo de que se produzca una descarga eléctrica.
4. **No maltrate el cable. Nunca utilice el cable para transportar, jalar o desconectar la herramienta eléctrica. Mantenga el cable alejado del calor, aceite, objetos cortantes o piezas móviles.** Los cables dañados o enredados aumentan el riesgo de sufrir una descarga eléctrica.
5. **Cuando utilice una herramienta eléctrica en exteriores, utilice un cable de extensión apropiado para uso en exteriores.** La utilización de un cable apropiado para uso en exteriores reducirá el riesgo de que se produzca una descarga eléctrica.
6. **Si no es posible evitar usar una herramienta eléctrica en condiciones húmedas, utilice un alimentador protegido con interruptor de circuito de falla a tierra (ICFT).** El uso de un ICFT reduce el riesgo de descarga eléctrica.
7. **Las herramientas eléctricas pueden producir campos electromagnéticos (CEM) que no son dañinos para el usuario.** Sin embargo, si los usuarios tienen marcapasos y otros dispositivos médicos similares, deberán consultar al fabricante de su dispositivo y/o a su médico antes de operar esta herramienta eléctrica.

## Seguridad personal

1. **Manténgase alerta, preste atención a lo que está haciendo y utilice su sentido común cuando opere una herramienta eléctrica. No utilice una herramienta eléctrica cuando esté cansado o bajo la influencia de drogas, alcohol o medicamentos.** Un momento de distracción mientras opera las herramientas eléctricas puede terminar en una lesión grave.
2. **Use equipo de protección personal. Póngase siempre protección para los ojos.** El equipo protector tal como máscara contra el polvo, zapatos de seguridad antiderrapantes, casco rígido y protección para oídos utilizado en las condiciones apropiadas reducirá el riesgo de lesiones.
3. **Impida el encendido accidental. Asegúrese de que el interruptor esté en la posición de apagado antes de conectar a la alimentación eléctrica y/o de colocar el cartucho de batería, así como al levantar o cargar la herramienta.** Cargar las herramientas eléctricas con su dedo en el interruptor o enchufarlas con el interruptor encendido hace que los accidentes sean comunes.
4. **Retire cualquier llave de ajuste o llave de apriete antes de encender la herramienta.** Una llave de ajuste o llave de apriete que haya sido dejada puesta en una parte giratoria de la herramienta eléctrica puede ocasionar alguna lesión.
5. **No utilice la herramienta donde no alcance. Mantenga los pies sobre suelo firme y el equilibrio en todo momento.** Esto permite un mejor control de la herramienta eléctrica en situaciones inesperadas.

6. **Use una vestimenta apropiada. No use ropa suelta ni alhajas. Mantenga el cabello, la ropa y los guantes alejados de las piezas móviles.** Las prendas de vestir holgadas, las alhajas y el cabello largo suelto podrían engancharse en estas piezas móviles.
7. **Si dispone de dispositivos para la conexión de equipos de extracción y recolección de polvo, asegúrese de conectarlos y utilizarlos debidamente.** Hacer uso de la recolección de polvo puede reducir los riesgos relacionados con el polvo.
8. **No permita que la familiaridad adquirida debido al uso frecuente de las herramientas haga que se sienta confiado e ignore los principios de seguridad de las herramientas.** Un descuido podría ocasionar una lesión grave en una fracción de segundo.
9. **Utilice siempre gafas protectoras para proteger sus ojos de lesiones al usar herramientas eléctricas. Las gafas deben cumplir con la Norma ANSI Z87.1 en EUA.** Es responsabilidad del empleador imponer el uso de equipos protectores de seguridad apropiados a los operadores de la herramienta y demás personas cerca del área de trabajo.

## Mantenimiento y uso de la herramienta eléctrica

1. **No fuerce la herramienta eléctrica. Utilice la herramienta eléctrica correcta para su aplicación.** La herramienta eléctrica adecuada hará un mejor trabajo y de forma más segura a la velocidad para la que ha sido fabricada.
2. **No utilice la herramienta eléctrica si el interruptor no la enciende y apaga.** Cualquier herramienta eléctrica que no pueda ser controlada con el interruptor es peligrosa y debe ser reemplazada.
3. **Desconecte la clavija de la fuente de alimentación y/o retire la batería de la herramienta eléctrica, en caso de ser removible, antes de realizar ajustes, cambiar accesorios o almacenar las herramientas eléctricas.** Tales medidas de seguridad preventivas reducirán el riesgo de poner en marcha la herramienta eléctrica de forma accidental.
4. **Guarde la herramienta eléctrica que no use fuera del alcance de los niños y no permita que las personas que no están familiarizadas con ella o con las instrucciones la operen.** Las herramientas eléctricas son peligrosas en manos de personas que no saben operarlas.
5. **Dé mantenimiento a las herramientas eléctricas y los accesorios. Compruebe que no haya piezas móviles desalineadas o estancadas, piezas rotas y cualquier otra condición que pueda afectar al funcionamiento de la herramienta eléctrica. Si la herramienta eléctrica está dañada, haga que la reparen antes de utilizarla.** Muchos de los accidentes son ocasionados por no dar un mantenimiento adecuado a las herramientas eléctricas.
6. **Mantenga las herramientas de corte limpias y filosas.** Si recibe un mantenimiento adecuado y tiene los bordes afilados, es probable que la herramienta se atasque menos y sea más fácil controlarla.

7. **Utilice la herramienta eléctrica, los accesorios y las brocas de acuerdo con estas instrucciones, considerando las condiciones laborales y el trabajo a realizar.** Si utiliza la herramienta eléctrica para realizar operaciones distintas de las indicadas, podrá presentarse una situación peligrosa.
8. **Mantenga los mangos y superficies de asiento secos, limpios y libres de aceite o grasa.** Los mangos y superficies de asiento resbalosos no permiten una manipulación segura ni el control de la herramienta en situaciones inesperadas.
9. **Cuando vaya a utilizar esta herramienta, evite usar guantes de trabajo de tela ya que éstos podrían atorarse.** Si los guantes de trabajo de tela llegan a atorarse en las piezas móviles, esto podría ocasionar lesiones personales.

#### Uso y cuidado de la herramienta a batería

1. **Recargue sólo con el cargador especificado por el fabricante.** Un cargador que es adecuado para un solo tipo de batería puede generar riesgo de incendio al ser utilizado con otra batería.
2. **Utilice las herramientas eléctricas solamente con las baterías designadas específicamente para ellas.** La utilización de cualquier otra batería puede crear un riesgo de lesiones o incendio.
3. **Cuando no se esté usando la batería, manténgala alejada de otros objetos metálicos, como sujetapapeles (clips), monedas, llaves, clavos, tornillos u otros objetos pequeños de metal los cuales pueden actuar creando una conexión entre las terminales de la batería.** Originar un cortocircuito en las terminales puede causar quemaduras o incendios.
4. **En condiciones abusivas, podrá escapar líquido de la batería; evite tocarlo. Si lo toca accidentalmente, enjuague con agua. Si hay contacto del líquido con los ojos, busque asistencia médica.** Puede que el líquido expulsado de la batería cause irritación o quemaduras.
5. **No utilice una herramienta ni una batería que estén dañadas o hayan sido modificadas.** Las baterías dañadas o modificadas podrían ocasionar una situación inesperada provocando un incendio, explosión o riesgo de lesiones.
6. **No exponga la herramienta ni la batería al fuego ni a una temperatura excesiva.** La exposición al fuego o a una temperatura superior a los 130 °C podría causar una explosión.
7. **Siga todas las instrucciones para la carga y evite cargar la herramienta o la batería fuera del rango de temperatura especificado en las instrucciones.** Una carga inadecuada o a una temperatura fuera del rango especificado podría dañar la batería e incrementar el riesgo de incendio.

#### Servicio

1. **Haga que una persona calificada repare la herramienta eléctrica utilizando sólo piezas de repuesto idénticas.** Esto asegura que se mantenga la seguridad de la herramienta eléctrica.
2. **Nunca dé servicio a baterías que estén dañadas.** El servicio a las baterías solamente deberá ser efectuado por el fabricante o un agente de servicio autorizado.

3. **Siga las instrucciones para la lubricación y cambio de accesorios.**
4. **No modifique ni intente reparar el aparato ni el paquete de baterías salvo como se indique en las instrucciones para el uso y cuidado.**

### Advertencias de seguridad para el cortasetos de extensión inalámbrico

1. **Mantenga todas las partes del cuerpo alejadas de la cuchilla de corte. No retire ni sostenga el material que va a cortar cuando las cuchillas estén en movimiento. Las cuchillas siguen girando por inercia aún después de apagadas. Asegúrese de que el interruptor se encuentre apagado antes de despejar el material atascado.** Un momento de distracción mientras opera el cortasetos podría ocasionar lesiones personales graves.
2. **Sostenga el cortasetos por el mango cuando la cuchilla de corte se encuentre detenida.** La manipulación adecuada del cortasetos reducirá la posibilidad de lesiones personales ocasionadas por las cuchillas de corte.
3. **Sujete la herramienta solamente por las superficies de asiento aisladas, ya que la cuchilla de corte podría entrar en contacto con cableado oculto.** Las cuchillas de corte que entren en contacto con un cable con corriente podrán hacer que la corriente circule por las piezas metálicas expuestas de la herramienta eléctrica pudiendo ocasionar una descarga eléctrica al operador.
4. **PELIGRO - Mantenga las manos alejadas de la cuchilla.** El contacto con la cuchilla podría ocasionar lesiones personales graves.
5. **Antes de operar la herramienta, revise los setos y arbustos para ver que no haya objetos extraños, tales como cercas de alambre o cableado oculto.**
6. **No utilice el cortasetos de extensión en condiciones de mal clima, especialmente cuando exista riesgo de rayos.** Esto disminuye el riesgo de ser golpeado por un rayo.
7. **Para reducir el riesgo de choque eléctrico, nunca lo utilice cerca de ningún cable eléctrico.** El contacto con cables eléctricos o su uso cerca de ellos puede causar lesiones graves o descargas eléctricas, que pueden causar la muerte.
8. **Utilice siempre ambas manos cuando opere el cortasetos de extensión.** Sostenga la herramienta con las dos manos para evitar la pérdida de control.
9. **Utilice siempre protección para la cabeza cuando opere el cortasetos de extensión por encima de su cabeza.** Los restos que caigan pueden ocasionar graves lesiones personales.
10. **ADVERTENCIA: úsese solo con el mango y el protector correctamente ensamblados al cortasetos.** El uso del cortasetos sin el protector o el mango adecuado proporcionado puede ocasionar lesiones personales graves.
11. **Asegúrese de pisar firmemente antes de comenzar la operación, y mantenga el equilibrio en todo momento.**



12. Use gafas protectoras, casco de seguridad y guantes protectores para protegerse de los residuos que salgan volando u objetos que caen.
13. Durante la operación, mantenga a las personas o animales alrededor a por lo menos 15 m (50 ft) de distancia de la herramienta. Detenga la herramienta en cuanto alguien se acerque.
14. No utilice la herramienta bajo la lluvia o en lugares mojados ni en condiciones de mucha humedad. El motor eléctrico no es a prueba de agua.
15. Un usuario con experiencia deberá enseñar a los usuarios primerizos cómo manejar la herramienta.
16. La herramienta no deberá ser utilizada por niños ni por personas menores de 18 años. Esta restricción podrá pasarse por alto para personas mayores de 16 años siempre que reciban la capacitación correspondiente bajo la supervisión de un experto.
17. Utilice la herramienta sólo si se encuentra en buena condición física. Si está cansado, su atención se verá disminuida. Sea especialmente cuidadoso al término de una jornada laboral. Realice todo el trabajo tranquila y cuidadosamente. El usuario será responsable de todos los daños a terceras personas.
18. Nunca utilice la herramienta si está bajo la influencia de alcohol, drogas o algún medicamento.
19. Los guantes de trabajo hechos de piel gruesa forman parte del equipo básico de la herramienta y deberán usarse siempre que se trabaje con éste. Utilice también zapatos resistentes con suelas antiderrapantes.
20. Antes de comenzar el trabajo, revise la herramienta para asegurarse de que está en buen estado y en condiciones seguras de funcionamiento. Asegúrese de que los protectores estén colocados correctamente. La herramienta no deberá ser utilizada hasta que se encuentre totalmente ensamblada.
21. Siempre que utilice la herramienta sosténgala firmemente.
22. No opere la herramienta sin carga innecesariamente.
23. Si la pieza de corte entra en contacto con alguna cerca u otro objeto duro, apague inmediatamente el motor y retire el cartucho de batería. Verifique si la cortadora presenta algún daño, de ser así deberá ser reparada de inmediato.
24. Siempre apague la herramienta y retire el cartucho de batería antes de revisar las cuchillas de cizalla, enmendar fallas o retirar algún material atorado en las cuchillas de cizalla.
25. Apague la herramienta y retire el cartucho de batería antes de realizar cualquier trabajo de mantenimiento.
26. Siempre que traslade la herramienta a otro lugar, aun durante el trabajo, retire el cartucho de batería y coloque la cubierta de las cuchillas para cubrir las cuchillas de cizalla. Nunca cargue ni transporte la herramienta con las cuchillas funcionando. Nunca sostenga las cuchillas con sus manos.
27. Limpie la herramienta y en especial las cuchillas de cizalla después de usarlas y antes de almacenar la herramienta por períodos prolongados. Aplique una capa ligera de aceite a las cuchillas y coloque la cubierta.
28. Cuando no se vayan a usar, coloque la cubierta de las cuchillas a la herramienta y almacene la herramienta en interiores en un lugar seco y elevado, cerrado con llave, fuera del alcance de los niños.
29. Nunca apunte las cuchillas de cizalla hacia usted ni hacia otras personas.
30. Si las cuchillas se dejan de mover a causa de objetos extraños atorados entre ellas durante la operación, apague la herramienta, extraiga el cartucho de batería y luego retire los objetos extraños usando herramientas tales como pinzas. El retirar los objetos extraños con la mano podría ocasionar una lesión, debido a que las cuchillas pueden moverse al intentar retirarlas.
31. Evite los entornos peligrosos. No utilice la herramienta en lugares húmedos o mojados ni la esponja a la lluvia. El agua que ingrese a la herramienta incrementará el riesgo de descarga eléctrica.
32. No arroje la(s) batería(s) al fuego. La celda podría explotar. Consulte los códigos locales para ver si hay instrucciones especiales relacionadas con la disposición.
33. No abra ni dañe la(s) batería(s). Los electrolitos liberados son corrosivos y pueden ocasionar daños en los ojos o la piel. Estos pueden ser tóxicos si se llegan a tragar.
34. No cargue la batería bajo la lluvia ni en lugares mojados.
35. Antes de la operación, examine el área de trabajo para ver si hay alambrados, piedras u otros objetos sólidos. Estos pueden dañar las cuchillas.
36. Use guantes protectores cuando toque las cuchillas o ajuste el ángulo de las cuchillas. Las cuchillas podrían provocar cortaduras graves en las manos descubiertas.
37. Tenga cuidado de no tocar accidentalmente una cerca de metal u otros objetos duros durante la operación. La cuchilla se romperá y ocasionar una lesión grave.
38. Evite un arranque accidental. No traslade la herramienta cuando el cartucho de batería esté instalado y con el dedo puesto sobre el interruptor. Asegúrese de que el interruptor se encuentre apagado cuando instale el cartucho de batería.
39. Evite tocar las cuchillas o bordes de corte expuestos cuando levante o sostenga la herramienta.
40. No fuerce la herramienta. Esto permitirá hacer mejor el trabajo con un menor riesgo de lesiones a la velocidad para la que fue diseñada.
41. Dé mantenimiento cuidadoso a la herramienta. Mantenga el borde de corte afilado y limpio para lograr un desempeño óptimo y reducir así el riesgo de lesiones. Siga las instrucciones para la lubricación y el cambio de los accesorios. Mantenga los mangos secos, limpios, y libres de aceite y grasa.

42. Inspeccione las piezas dañadas. Antes de continuar usando la herramienta, cualquier pieza que esté dañada deberá revisarse cuidadosamente para confirmar que puedan funcionar debidamente y realizar la función para la que fue diseñada. Verifique la alineación de las piezas móviles, la unión de las mismas, roturas de las piezas, la instalación y cualquier otra condición que pueda afectar su funcionamiento. Cualquier protector o pieza dañada deberá repararse debidamente o reemplazarse en su centro de servicio autorizado.
43. Utilice únicamente piezas de repuesto originales.

## GUARDE ESTAS INSTRUCCIONES.

**⚠ADVERTENCIA:** NO DEJE que la comodidad o familiaridad con el producto (a base de utilizarlo repetidamente) evite que siga estrictamente las normas de seguridad para dicho producto. El USO INCORRECTO o el no seguir las normas de seguridad indicadas en este manual de instrucciones puede ocasionar lesiones graves.

**⚠ADVERTENCIA:** El uso de este producto puede producir polvo que contenga sustancias químicas que podrían causar enfermedades respiratorias o de otro tipo. Algunos ejemplos de estas sustancias químicas son los compuestos encontrados en pesticidas, insecticidas, fertilizantes y herbicidas.

El riesgo al que se expone varía, dependiendo de la frecuencia con la que realice este tipo de trabajo. Para reducir la exposición a estas sustancias químicas: trabaje en un área bien ventilada y use un equipo de seguridad aprobado, tal como las máscaras contra polvo que están especialmente diseñadas para filtrar partículas microscópicas.

## Símbolos

A continuación se muestran los símbolos utilizados para la herramienta.

|                    |   |
|--------------------|---|
| V                  | volts o voltios   |
| —<br>—<br>—        | corriente directa o continua                                    |
| n <sub>o</sub>     | velocidad sin carga   |
| ... /min<br>r /min | revoluciones o alternaciones por minuto, frecuencia de rotación |

## Instrucciones importantes de seguridad para el cartucho de batería

- Antes de utilizar el cartucho de batería, lea todas las instrucciones e indicaciones de precaución en el (1) el cargador de batería, (2) la batería, y (3) el producto con el que se utiliza la batería.
- No desarme el cartucho de batería.
- Si el tiempo de operación se ha acortado en exceso, deje de operar de inmediato. Podría correrse el riesgo de sobrecalentamiento, posibles quemaduras e incluso explosión.
- En caso de que ingresen electrolitos en sus ojos, enjuáguelos bien con agua limpia y consulte de inmediato a un médico. Esto podría ocasionar pérdida de visión.
- Evite cortocircuitar el cartucho de batería:
  - No toque las terminales con ningún material conductor.
  - Evite guardar el cartucho de batería en un cajón junto con otros objetos metálicos, tales como clavos, monedas, etc.
  - No exponga el cartucho de batería al agua o la lluvia.

Un cortocircuito en la batería puede causar un flujo grande de corriente, sobrecalentamiento, posibles quemaduras e incluso una descompostura.
- No guarde la herramienta ni el cartucho de batería en lugares donde la temperatura pueda alcanzar o exceder los 50°C (122°F).
- Nunca incinere el cartucho de batería incluso en el caso de que esté dañado seriamente o ya no sirva en absoluto. El cartucho de batería puede explotar si se tira al fuego.
- Tenga cuidado de no dejar caer ni golpear la batería.
- No use una batería dañada.
- Las baterías de ión de litio están sujetas a los requisitos reglamentarios en materia de bienes peligrosos.
 

Para el transporte comercial, por ej., mediante terceros o agentes de transporte, se deben tomar en cuenta los requisitos especiales relativos al empaque y el etiquetado.

Para efectuar los preparativos del artículo que se va a enviar, se requiere consultar a un experto en materiales peligrosos. Si es posible, consulte además otras regulaciones nacionales más detalladas.

Pegue o cubra con cinta adhesiva los contactos abiertos y empaque la batería de manera que ésta no pueda moverse dentro del paquete.
- Para deshacerse del cartucho de batería, sáquelo de la herramienta y deséchelo en un lugar seguro. Siga las regulaciones locales relacionadas al desecho de las baterías.
- Utilice las baterías únicamente con los productos especificados por Makita. Instalar las baterías en productos que no cumplan con los requisitos podría ocasionar un incendio, un calentamiento excesivo, una explosión o una fuga de electrolito.

13. Si no se utiliza la herramienta por un período largo, debe extraerse la batería de la herramienta.

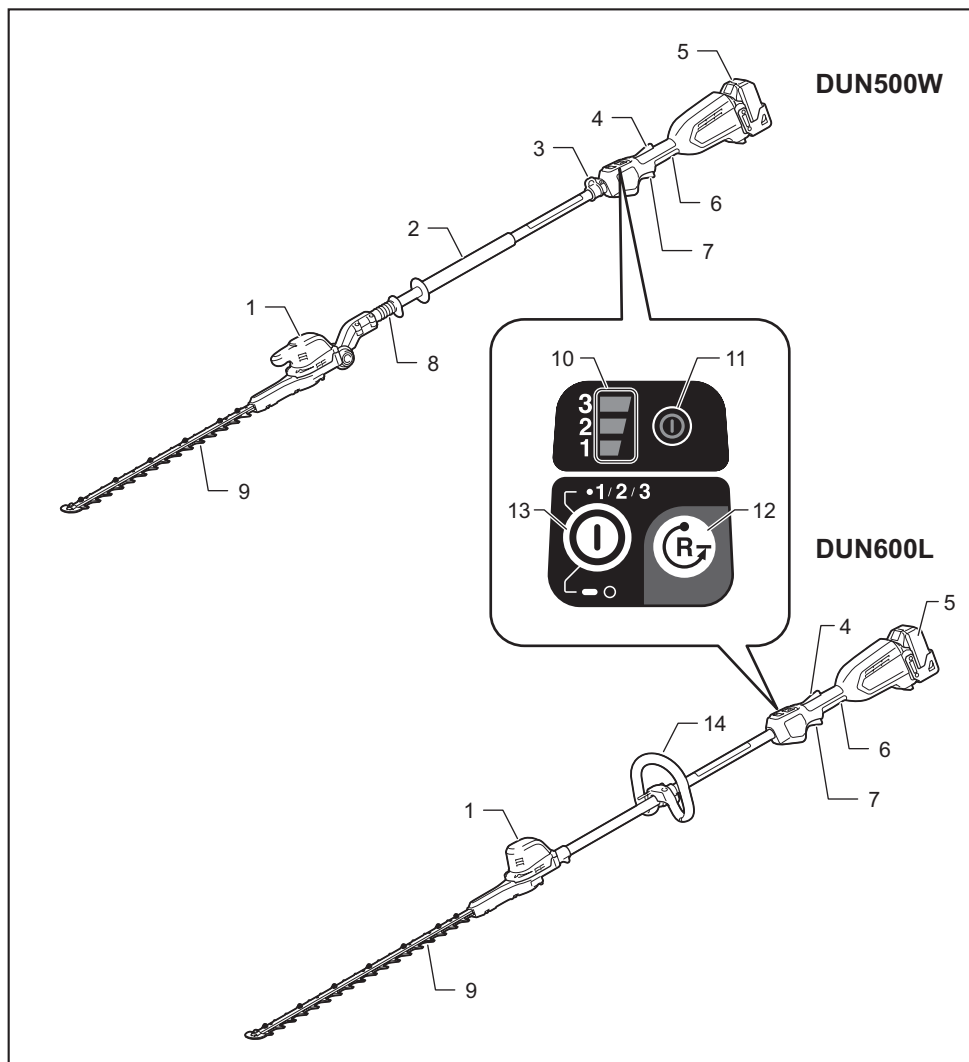
## **GUARDE ESTAS INSTRUCCIONES.**

**⚠PRECAUCIÓN:** Utilice únicamente baterías originales de Makita. El uso de baterías no originales de Makita, o de baterías alteradas, puede ocasionar que las baterías exploten causando un incendio, lesiones personales y daños. Asimismo, esto invalidará la garantía de Makita para la herramienta y el cargador Makita.

### **Consejos para alargar al máximo la vida útil de la batería**

1. Cargue el cartucho de batería antes de que se descargue completamente. Pare siempre la operación y cargue el cartucho de batería cuando note menos potencia en la herramienta.
2. No cargue nunca un cartucho de batería que esté completamente cargado. La sobrecarga acortará la vida de servicio de la batería.
3. Cargue el cartucho de batería a una temperatura ambiente de 10 °C - 40 °C (50 °F - 104 °F). Si un cartucho de batería está caliente, déjelo enfriar antes de cargarlo.
4. Cargue el cartucho de batería si no va a utilizarlo durante un período prolongado (más de seis meses).

# DESCRIPCIÓN DE LAS PIEZAS



|    |                              |    |                        |    |                     |    |                           |
|----|------------------------------|----|------------------------|----|---------------------|----|---------------------------|
| 1  | Cabeza                       | 2  | Empuñadura delantera   | 3  | Colgador            | 4  | Palanca                   |
| 5  | Cartucho de batería          | 6  | Empuñadura trasera     | 7  | Gatillo interruptor | 8  | Manguito de deslizamiento |
| 9  | Cuchillas de cizalla         | 10 | Indicador de velocidad | 11 | Luz de alimentación | 12 | Botón de inversión        |
| 13 | Botón de encendido principal | 14 | Mango                  | -  | -                   | -  | -                         |

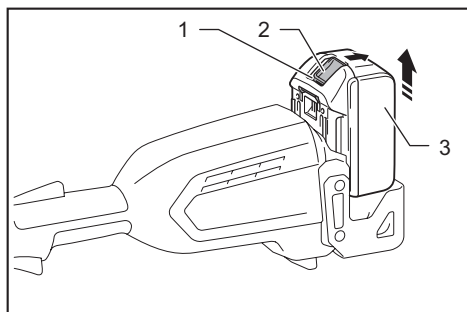
# DESCRIPCIÓN DEL FUNCIONAMIENTO

**⚠️ PRECAUCIÓN:** Asegúrese siempre de que la herramienta esté apagada y el cartucho de batería haya sido extraído antes de realizar cualquier ajuste o comprobación en la herramienta.

## Instalación o extracción del cartucho de batería

**⚠️ PRECAUCIÓN:** Apague siempre la herramienta antes de colocar o quitar el cartucho de batería.

**⚠️ PRECAUCIÓN:** Sujete la herramienta y el cartucho de la batería con firmeza al colocar o quitar el cartucho de batería. Si no se sujeta con firmeza la herramienta y el cartucho de batería, puede ocasionar que se resbalen de sus manos causando daños a la herramienta y al cartucho de batería, así como lesiones a la persona.



► 1. Indicador rojo 2. Botón 3. Cartucho de batería

Para quitar el cartucho de batería, deslícelo de la herramienta mientras desliza el botón sobre la parte delantera del cartucho.

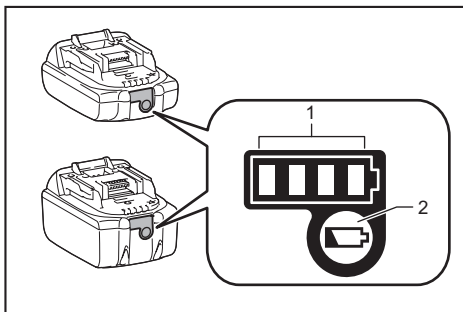
Para colocar el cartucho de batería, alinee la lengüeta sobre el cartucho de batería con la ranura en la carcasa y deslice en su lugar. Inserte por completo hasta que se fije en su lugar con un pequeño clic. Si puede ver el indicador rojo del lado superior del botón, esto indica que no ha quedado fijo por completo.

**⚠️ PRECAUCIÓN:** Introduzca siempre completamente el cartucho de batería hasta que el indicador rojo no pueda verse. Si no, podría accidentalmente salirse de la herramienta y caer al suelo causando una lesión a usted o alguien a su alrededor.

**⚠️ PRECAUCIÓN:** No instale el cartucho de batería a la fuerza. Si el cartucho no se desliza al interior fácilmente, se debe a que no está siendo insertado correctamente.

## Indicación de la capacidad restante de la batería

Únicamente para cartuchos de batería con el indicador



► 1. Luces indicadoras 2. Botón de verificación

Oprima el botón de verificación en el cartucho de la batería para que indique la capacidad restante de la batería. Las luces indicadoras se iluminarán por algunos segundos.

| Luces indicadoras |          |             | Capacidad restante                    |
|-------------------|----------|-------------|---------------------------------------|
| Iluminadas        | Apagadas | Parpadeando |                                       |
| ■ ■ ■ ■ ■         |          |             | 75% a 100%                            |
| ■ ■ ■ ■ □         |          |             | 50% a 75%                             |
| ■ ■ □ □           |          |             | 25% a 50%                             |
| ■ □ □ □           |          |             | 0% a 25%                              |
| ▬ □ □ □           |          |             | Cargar la batería.                    |
| ■ ■ □ □           |          |             | La batería pudo haber funcionado mal. |
| □ □ ■ ■           |          |             |                                       |

**NOTA:** Dependiendo de las condiciones de uso y la temperatura ambiente, la indicación podrá diferir ligeramente de la capacidad real.

## Sistema de protección para la herramienta/batería

La herramienta está equipada con un sistema de protección de la herramienta/batería. Este sistema corta en forma automática el suministro de energía al motor para prolongar la vida útil de la herramienta y la batería. La herramienta se detendrá automáticamente durante la operación si la herramienta o la batería se someten a una de las siguientes condiciones:

| Estado             | Luces indicadoras                      |  |               |
|--------------------|--|--|---------------|
|                    | ■ Encendido                            | □ Apagado                              | ▣ Parpadeando |
| Sobrecarga         |  | <b>3</b> ▣<br><b>2</b> ▣<br><b>1</b> □ |               |
| Sobrecalentamiento | <b>3</b> ▣<br><b>2</b> ▣<br><b>1</b> ▣ | <b>3</b> □<br><b>2</b> □<br><b>1</b> ▣ |               |
| Sobrecarga         |  | <b>3</b> □<br><b>2</b> □<br><b>1</b> ▣ |               |

## Protección contra sobrecarga

Si la herramienta se sobrecarga al enredarse ramas u otros residuos, los indicadores para "2" y "3" comenzarán a parpadear y la herramienta se detendrá automáticamente.

En este caso, apague la herramienta y detenga la aplicación que causó que la herramienta se sobrecargara. Luego encienda la herramienta para volver a ponerla en marcha.

**AVISO:** Dependiendo de las condiciones de uso, la herramienta se apagará automáticamente sin indicación alguna en caso de sobrecargarse si alguna rama o residuo llegara a enredarse. En este caso, apague la herramienta, extraiga el cartucho de batería y luego retire las ramas o residuos usando herramientas tales como pinzas. Después de retirar las ramas o residuos, instale el cartucho de batería y vuelva a encender la herramienta.

## Protección contra el sobrecalentamiento de la herramienta o la batería

Existen dos tipos de sobrecalentamiento: sobrecalentamiento de la herramienta y sobrecalentamiento de la batería. Cuando la herramienta se sobrecaliente, todos los indicadores de velocidad parpadearán. Cuando la batería se sobrecaliente, el indicador para "1" parpadeará.

Cuando ocurra el sobrecalentamiento, la herramienta se detendrá automáticamente. Permita que la herramienta y/o la batería se enfríen antes de volver a encender la herramienta.

## Protección en caso de sobredescarga

Cuando la capacidad de la batería sea baja, la herramienta se detendrá automáticamente y el indicador para "1" parpadeará.

Si la herramienta no funciona aun con los interruptores activados, retire la batería de la herramienta y cárguela.

## Accionamiento del interruptor de encendido

**ADVERTENCIA:** Por su seguridad, esta herramienta está equipada con una palanca para evitar que la herramienta se ponga en marcha accidentalmente. **NUNCA** use la herramienta si se pone en marcha simplemente al jalar el gatillo interruptor sin haber presionado la palanca. Lleve la herramienta a nuestro centro de servicio autorizado para una reparación adecuada **ANTES** de seguir usándola.

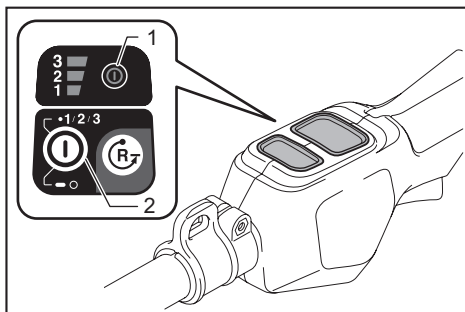
**ADVERTENCIA:** **NUNCA** tape con cinta ni anule el propósito y función de la palanca.

**ADVERTENCIA:** Antes de instalar el cartucho de batería en la herramienta, verifique siempre que el gatillo interruptor y la palanca se accionen debidamente y que regresen a la posición de apagado una vez que se suelten. Usar una herramienta con un interruptor que no funcione adecuadamente puede provocar la pérdida del control y ocasionar lesiones personales graves.

**PRECAUCIÓN:** Nunca coloque su dedo en el interruptor cuando transporte la herramienta. La herramienta podría ponerse en marcha accidentalmente y ocasionar una lesión.

**AVISO:** No jale fuerte el gatillo interruptor sin presionar la palanca. Esto puede causar rotura del interruptor.

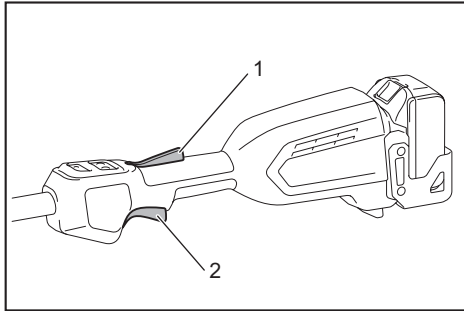
Oprima el botón de encendido principal para encender la herramienta. La luz de alimentación se encenderá una vez que la herramienta se haya encendido. Para apagar la herramienta, mantenga oprimido el botón de encendido principal. La luz de alimentación se apagará una vez que la herramienta se haya apagado.



► 1. Luz de alimentación 2. Botón de encendido principal

**NOTA:** La herramienta se apagará automáticamente si no es operada durante cierto período de tiempo.

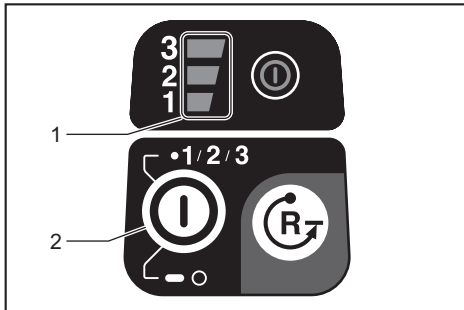
Para evitar que el gatillo interruptor sea jalado accidentalmente, se proporciona una palanca. Para arrancar la herramienta, jale el gatillo interruptor mientras oprime la palanca. Suelte el gatillo interruptor para parar la herramienta.



► 1. Palanca 2. Gatillo interruptor

## Ajuste de velocidad

Puede ajustar la velocidad de la herramienta al oprimir el botón de encendido principal. Cada vez que oprima el botón de encendido principal, el nivel de velocidad cambiará.



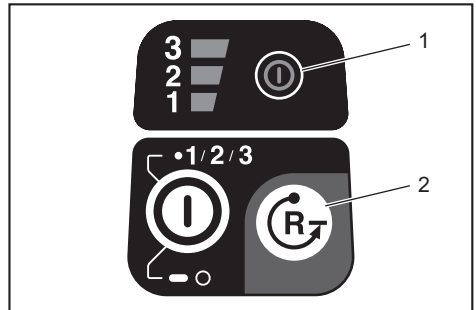
► 1. Indicador de velocidad 2. Botón de encendido principal

| Indicador | Modo  | Velocidad de carrera |
|-----------|-------|----------------------|
|           | Alto  | 4 400 cpm            |
|           | Medio | 3 600 cpm            |
|           | Bajo  | 2 000 cpm            |

## Botón de inversión para la eliminación de residuos

**⚠ADVERTENCIA:** Si las ramas o residuos enredados no pueden ser retirados con la función inversa, apague la herramienta, extraiga el cartucho de batería y luego retire las ramas o residuos usando herramientas tales como pinzas. El no apagar la herramienta y extraer el cartucho de batería podría ocasionar lesiones personales graves a causa de una puesta en marcha accidental. El retirar las ramas o residuos con la mano podría ocasionar una lesión, debido a que las cuchillas de cizalla pueden moverse al intentar retirarlas.

Esta herramienta cuenta con un botón de inversión para cambiar la dirección del movimiento de las cuchillas de cizalla. Su única función es la de eliminar las ramas y residuos enredados en la herramienta. Para invertir el movimiento de las cuchillas de cizalla, oprima el botón de inversión una vez que las cuchillas de cizalla se hayan detenido, y luego jale el gatillo interruptor mientras presiona la palanca. La luz de alimentación comenzará a parpadear y las cuchillas de cizalla se moverán en la dirección opuesta. Una vez que las ramas y residuos enredados se hayan retirado, la herramienta regresará a su movimiento normal y la luz de alimentación dejará de parpadear y se encenderá.



► 1. Luz de alimentación 2. Botón de inversión

**NOTA:** Si las ramas o residuos enredados no pueden ser retirados, suelte el gatillo interruptor y luego oprima el botón de inversión, después jale el gatillo interruptor hasta que sean retirados.

**NOTA:** Si pulsa el botón de inversión mientras las cuchillas de cizalla están moviéndose, la herramienta se detendrá y se preparará para el movimiento inverso.

## Ajuste del ángulo de corte

**⚠ PRECAUCIÓN:** Asegúrese siempre de que la herramienta esté apagada antes de plegar o desplegar la cabeza.

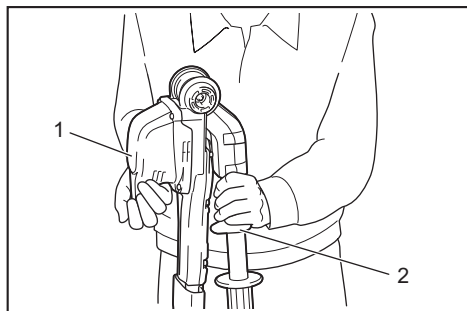
**⚠ PRECAUCIÓN:** Al plegar la cabeza para transportar la herramienta o después de usarla, asegúrese de colocar la cubierta de las cuchillas antes de plegar la cabeza.

**⚠ PRECAUCIÓN:** Cuando se pliegue la cabeza, tenga cuidado de no pillarse los dedos entre la cabeza y el manguito de deslizamiento.

### Para el modelo DUN500W

El ángulo de la cabeza puede ajustarse en 6 pasos. Para cambiar el ángulo de la cabeza, siga los pasos a continuación.

1. Sostenga la cabeza y el manguito de deslizamiento, tal como se muestra en la ilustración.



► 1. Cabeza 2. Manguito de deslizamiento

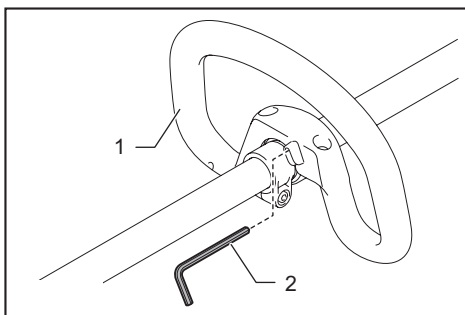
2. Mueva la cabeza mientras presiona hacia abajo el manguito de deslizamiento, y libere entonces el manguito de deslizamiento.
3. Mueva la cabeza un poco hasta que quede bloqueada con un clic.

**NOTA:** Asegúrese de que la cabeza está bien asegurada antes de operar la herramienta.

## Almacenamiento de la llave Allen (hexagonal)

### Para el modelo DUN600L

Cuando no se utilice, guarde la llave hexagonal en su lugar tal como se muestra en la ilustración para evitar que se pierda.



► 1. Mango 2. Llave hexagonal

## Freno eléctrico

La herramienta está equipada con un freno eléctrico. Si la herramienta falla constantemente en detenerse tras soltar el gatillo interruptor, lleve la herramienta a mantenimiento a un centro de servicio Makita.

## MONTAJE

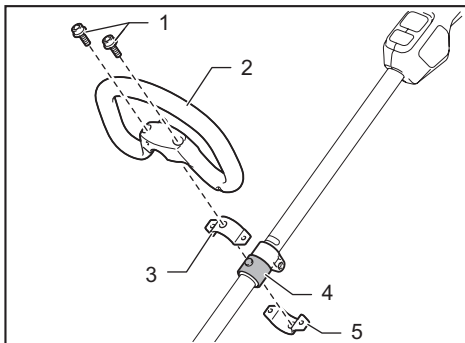
**⚠ PRECAUCIÓN:** Asegúrese siempre de que la herramienta esté apagada y el cartucho de batería haya sido extraído antes de realizar cualquier trabajo en la misma.

**⚠ PRECAUCIÓN:** Siempre utilice guantes al reemplazar las cuchillas de cizalla de manera que sus manos no hagan contacto directo con las cuchillas.

## Instalación del mango

### Para el modelo DUN600L

1. Coloque las abrazaderas superior e inferior en el amortiguador.
2. Ponga el mango en la abrazadera superior y asegúrelo con los pernos, como se muestra en la ilustración.



► 1. Perno 2. Mango 3. Abrazadera superior 4. Amortiguador 5. Abrazadera inferior



## Instalación o extracción de las cuchillas de zizalla

**PRECAUCIÓN:** Coloque la cubierta de las cuchillas antes de extraer o instalar las cuchillas de zizalla.

**AVISO:** Cuando reemplace las cuchillas de zizalla no elimine la grasa del engranaje y de la manivela.

### AVISO:

Para el modelo DUN500W

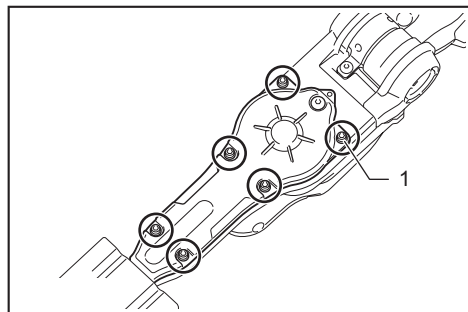
No instale cuchillas de zizalla de 600 mm (23-5/8") en su herramienta. Si se instalan las cuchillas de zizalla de 600 mm (23-5/8"), no podrá plegar la cabeza de la herramienta.

### NOTA:

Para el modelo DUN500W

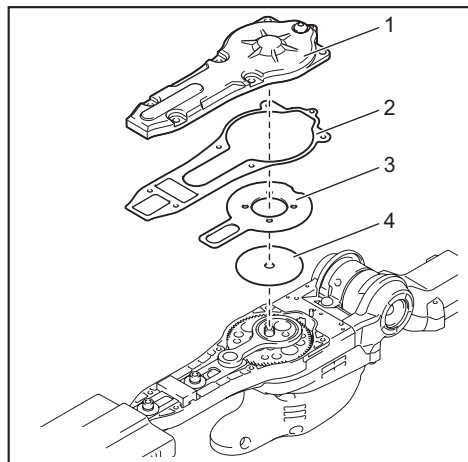
Antes de instalar o quitar las cuchillas de zizalla, despliegue la cabeza de la herramienta de manera que la cabeza quede recta al cuerpo de la herramienta.

1. Coloque la herramienta de cabeza y luego retire los 6 pernos.



1. Perno

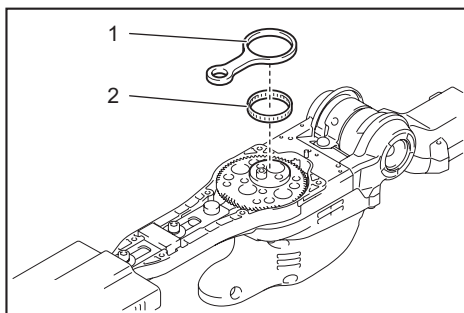
2. Extraiga la cubierta, el empaque, la placa A y la placa B.



1. Cubierta 2. Empaque 3. Placa A 4. Placa B

**NOTA:** El empaque o las placas pueden permanecer en la cubierta.

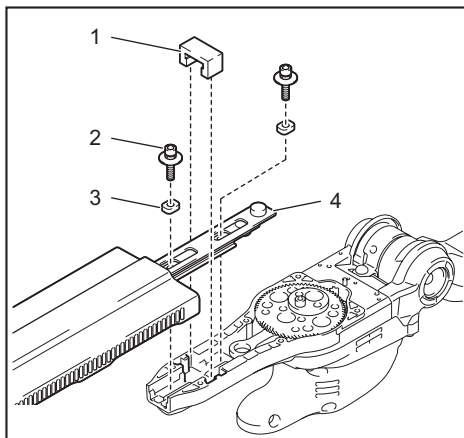
3. Extraiga la barra y el rodamiento.



1. Barra 2. Rodamiento

**NOTA:** La barra o rodamiento pueden permanecer en la cubierta.

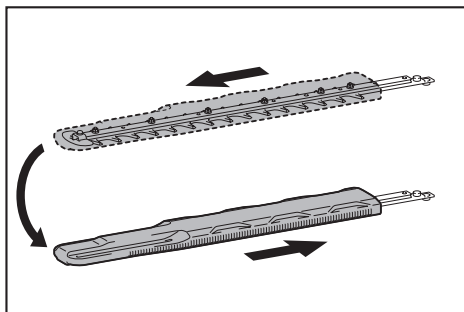
4. Retire 2 pernos, 2 manguitos y la almohadilla de filtro, y luego extraiga las cuchillas de zizalla.



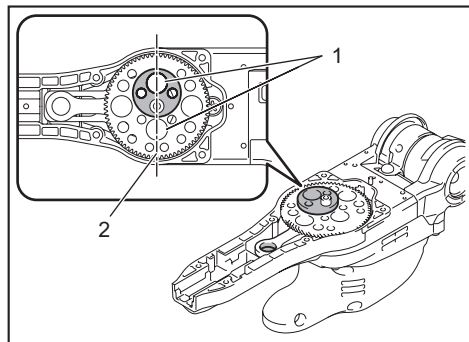
1. Almohadilla de filtro 2. Perno 3. Manguito 4. Cuchillas de zizalla

**AVISO:** Tenga cuidado de no perder los pernos.

5. Retire la cubierta de las cuchillas y luego colóquela en las nuevas cuchillas de zizalla.

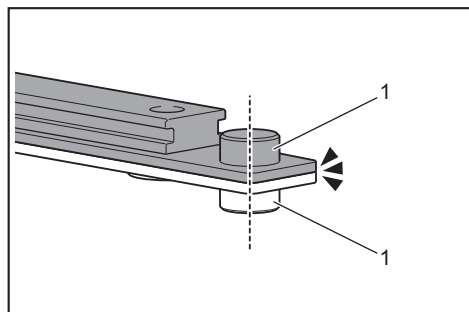


6. Ajuste la manivela de manera que los 2 orificios queden alineados en la línea de alineación.



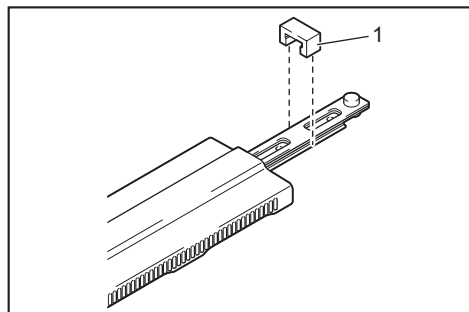
- 1. Orificio 2. Línea de alineación

7. Alinee las protuberancias en las cuchillas de cizalla verticalmente en la misma posición.



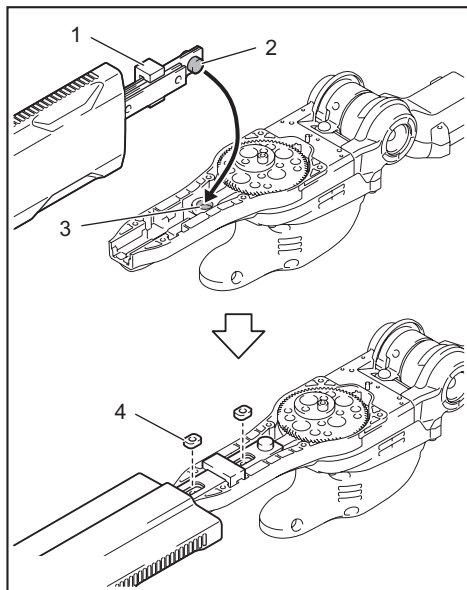
- 1. Protuberancia

8. Coloque la almohadilla de fieltro en las cuchillas de cizalla.



- 1. Almohadilla de fieltro

9. Inserte la protuberancia en las cuchillas de cizalla en el orificio de la barra, luego alinee la posición de la almohadilla de fieltro con los orificios en la herramienta, y después coloque los manguitos.

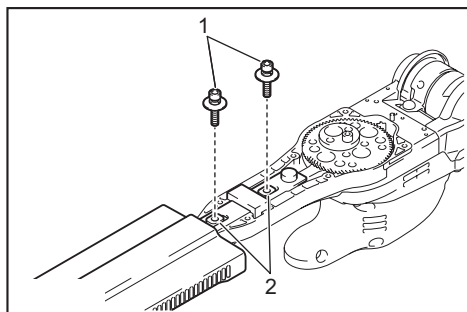


- 1. Almohadilla de fieltro 2. Protuberancia 3. Orificio 4. Manguito

**AVISO:** Aplique una pequeña cantidad de grasa a la periferia interior del orificio de la barra.

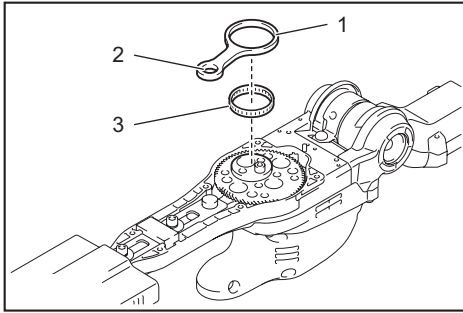
**AVISO:** Tenga cuidado de no perder los manguitos.

10. Alinee los orificios en los manguitos y las cuchillas de cizalla con los orificios en la herramienta, y luego apriete los 2 pernos para fijar las cuchillas de cizalla.



- 1. Perno 2. Orificio

11. Coloque el rodamiento y la barra.

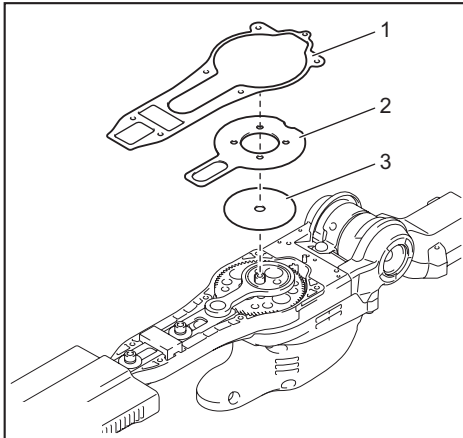


► 1. Barra 2. Orificio pequeño 3. Rodamiento

**AVISO:** Aplique una pequeña cantidad de grasa a la periferia interior del orificio pequeño de la barra.

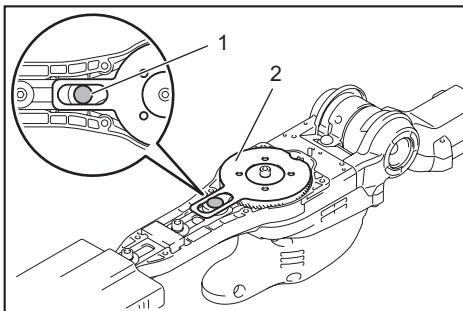
**AVISO:** Asegúrese de que la protuberancia en las cuchillas de cizalla encaje en el orificio pequeño de la barra.

12. Fije la placa B, la placa A y el empaque.



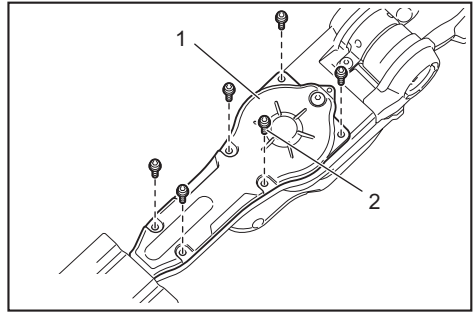
► 1. Empaque 2. Placa A 3. Placa B

13. Alinee el orificio en la placa con la protuberancia en las cuchillas de cizalla, para que la protuberancia encaje en el orificio.



► 1. Protuberancia 2. Placa

14. Coloque la cubierta y luego apriete los 6 pernos.



► 1. Cubierta 2. Perno

**AVISO:** Si las cuchillas de cizalla no se mueven con suavidad, es porque estas no están correctamente embonadas en las barras. Vuelva a instalar las cuchillas de cizalla.

**AVISO:** Si aparte de las cuchillas de cizalla otras piezas, tales como las barras, muestran signos de desgaste, solicite su reparación o reemplazo a los centros de servicio autorizados Makita.

## OPERACIÓN

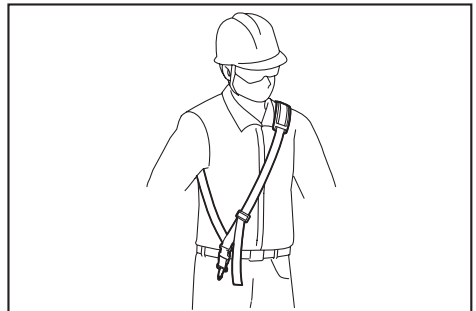
### Instalación del arnés para hombro

*Accesorio opcional para el modelo DUN500W*

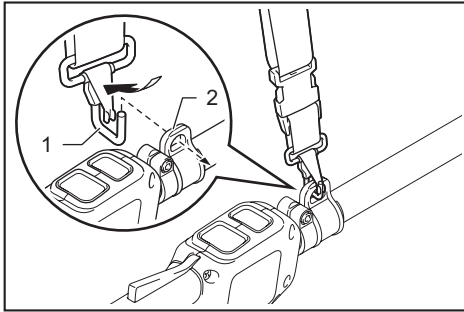
**⚠PRECAUCIÓN:** Antes de la operación, asegúrese de que el arnés para hombro esté colocado correctamente al colgador en la herramienta.

**NOTA:** Use el arnés para hombro colocado en la herramienta. Antes de la operación, ajuste el arnés para hombro de acuerdo al tamaño del usuario para evitar la fatiga.

1. Colóquese el arnés para hombro en su hombro.

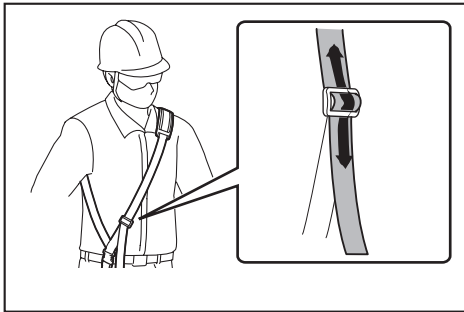


2. Abroche el gancho en el arnés para hombro en el colgador de la herramienta.



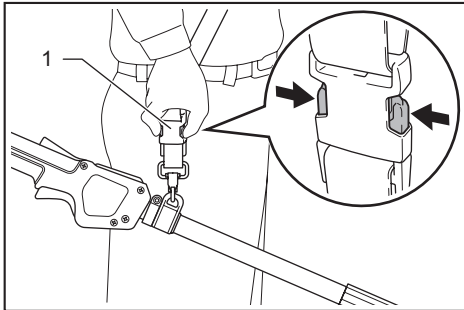
► 1. Gancho 2. Colgador

3. Ajuste el arnés para hombro en una posición cómoda para trabajar.



El arnés para hombro cuenta con un medio de liberación rápida.

Simplemente apriete los lados de la hebilla para liberar la herramienta del arnés para hombro.



► 1. Hebilla

## Operación de la herramienta

**⚠ADVERTENCIA:** No utilice la herramienta cerca de ningún cable eléctrico. El contacto con cables eléctricos o su uso cerca de ellos puede causar lesiones graves o descargas eléctricas, que pueden causar la muerte.

**⚠ADVERTENCIA:** Mantenga las manos alejadas de las cuchillas de cizalla.

**⚠ADVERTENCIA:** Sea extremadamente cuidadoso en mantener el control de la herramienta en todo momento. No permita que la herramienta se desvía hacia usted ni hacia otra persona alrededor. El no mantener el control de la herramienta podría ocasionar lesiones graves a las personas alrededor y al operador.

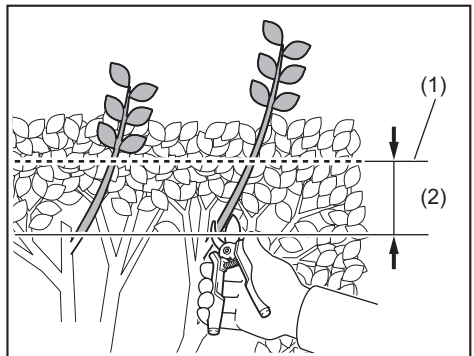
**⚠PRECAUCIÓN:** Si es posible, evite utilizar la herramienta cuando haga demasiado calor. Durante la operación de la herramienta, vigile su condición física.

**⚠PRECAUCIÓN:** Tenga cuidado de no tocar accidentalmente una cerca de metal u otros objetos duros durante el podado. Las cuchillas de cizalla podrían romperse y ocasionar una lesión.

**⚠PRECAUCIÓN:** Tenga cuidado de no permitir que las cuchillas de cizalla hagan contacto con el suelo. La herramienta podría retroceder y ocasionar una lesión.

**⚠PRECAUCIÓN:** Trabajar con el cortasetos en un lugar donde no alcance, particularmente desde una escalera, es extremadamente peligroso. No trabaje mientras esté parado sobre una superficie tambaleante o poco firme.

**AVISO:** No intente usar la herramienta para cortar ramas con un diámetro mayor a 10 mm (3/8"). Corte las ramas a 10 cm (4") menos que la altura de corte usando algún cortador de ramas antes de usar la herramienta.



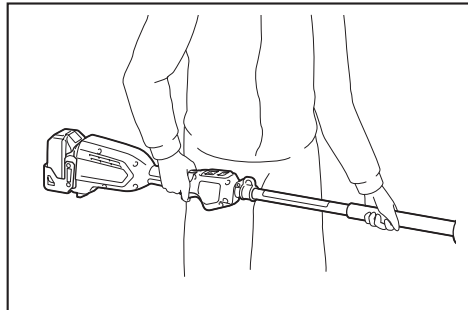
► (1) Altura de corte (2) 10 cm (4")

**AVISO:** No corte árboles muertos ni otros objetos duros similares. El hacerlo podría dañar la herramienta.

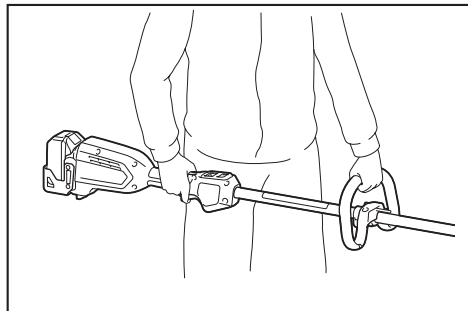
**AVISO:** No pade hierba ni maleza mientras esté usando las cuchillas de cizalla. Las cuchillas de cizalla podrían quedar atrapadas en la hierba o maleza.

Sujete la herramienta con ambas manos.

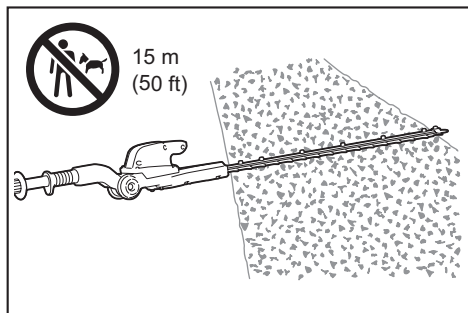
Para el modelo DUN500W



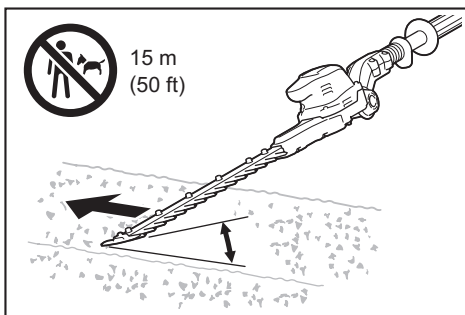
Para el modelo DUN600L



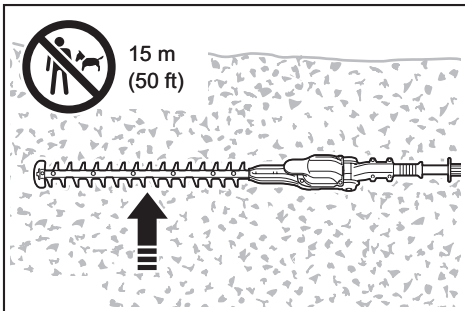
Jale el gatillo interruptor mientras oprime la palanca y luego desplace la herramienta hacia adelante.



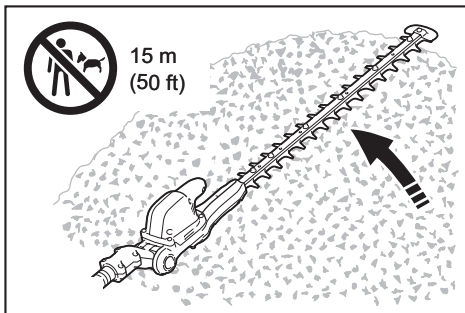
Para la operación básica, incline las cuchillas de cizalla hacia la dirección del podado y desplácelas lentamente y con calma a un ritmo de velocidad de 3 a 4 segundos por metro.



Para cortar la parte lateral de un seto de manera uniforme, corte de abajo hacia arriba.



Cuando desee hacer formas redondas al podar (podar setos de boj o rododendro, etc.), corte de la raíz a la parte superior para lograr un resultado excelente.



## MANTENIMIENTO

**PRECAUCIÓN:** Asegúrese siempre de que la herramienta esté apagada y el cartucho de batería extraído antes de intentar realizar una inspección o mantenimiento.

**PRECAUCIÓN:** Cuando inspeccione o dé mantenimiento a la herramienta, deje siempre la herramienta en el suelo. El ensamble o ajuste de la herramienta en una posición vertical podría ocasionar lesiones graves.

Para mantener la SEGURIDAD y FIABILIDAD del producto, las reparaciones, y cualquier otra tarea de mantenimiento o ajuste deberán ser realizadas en centros de servicio autorizados o de fábrica Makita, empleando siempre repuestos Makita.

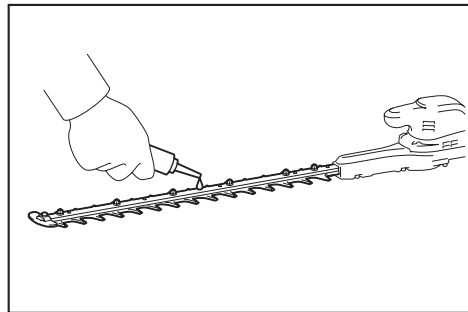
## Limpeza de la herramienta

Quite el polvo de la herramienta con un paño seco o humedezca un paño en agua y jabón y exprímalo para limpiarla.

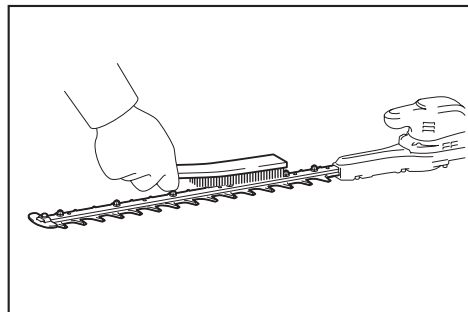
**AVISO:** Nunca use gasolina, bencina, diluyente (tíner), alcohol o sustancias similares. Puede que esto ocasione grietas o descoloramiento.

## Mantenimiento de las cuchillas de cizalla

Antes de la operación o una vez por hora durante la operación, aplique aceite de baja viscosidad (aceite para máquinas o aceite lubricante en aerosol) a las cuchillas de cizalla.



Después de la operación, elimine el polvo en ambos lados de las cuchillas de cizalla con un cepillo de alambre, limpie con un paño y luego aplique aceite de baja viscosidad (aceite para máquinas o aceite lubricante en aerosol) a las cuchillas de cizalla.



**AVISO:** No lave las cuchillas de cizalla con agua. Esto podría ocasionar oxidación o daños a la herramienta.

**AVISO:** La suciedad y la corrosión causan una fricción excesiva de las cuchillas y acorta el tiempo de operación en cada carga de batería.

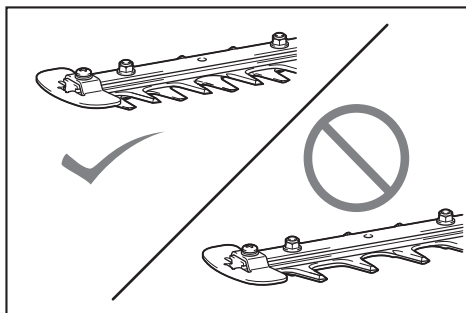
## Almacenamiento

Coloque la cubierta de las cuchillas de cizalla de manera que las cuchillas no queden expuestas. Almacene la herramienta fuera del alcance de los niños. Almacene la herramienta en un lugar que no esté expuesto a la humedad o la lluvia.

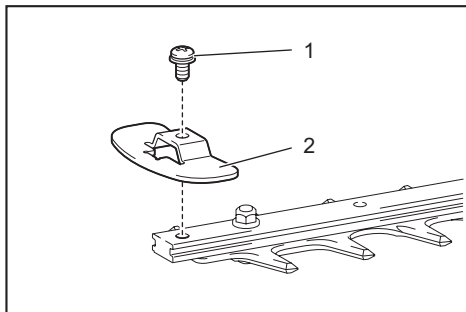
## Afilado de las cuchillas de cizalla

**AVISO:** Si las cuchillas de cizalla se encuentran considerablemente desgastadas a causa del afilado, reemplácelas con unas nuevas.

1. Instale el cartucho de batería en la herramienta.
2. Encienda y ponga en marcha la herramienta de manera que las cuchillas superior e inferior estén posicionadas alternativamente.

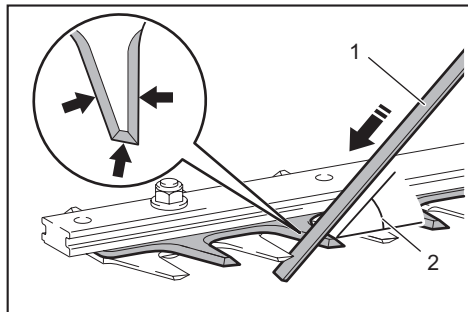


3. Apague la herramienta y retire el cartucho de batería.
4. Retire el tornillo y luego extraiga el receptáculo de ramas.



- 1. Tornillo 2. Receptáculo de ramas

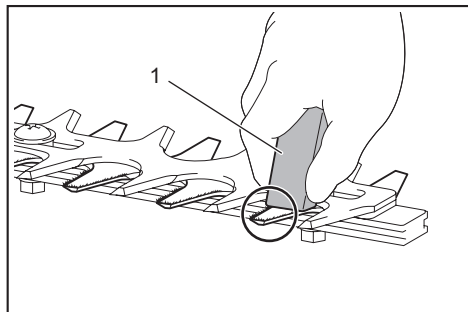
5. Ajuste el ángulo de la lima a 45°, y afile la cuchilla superior desde 3 direcciones con la lima.



- (1) Lima (2) 45°

**⚠PRECAUCIÓN:** Antes de afilar las cuchillas de cizalla, asegúrese de que la herramienta esté apagada y que el cartucho de batería haya sido extraído de la herramienta.

6. Coloque la herramienta de cabeza y luego retire las rebabas de las cuchillas de cizalla con la lima.



- 1. Lima

7. Ajuste el ángulo de la lima a 45°, y afile la cuchilla inferior desde 3 direcciones con la lima.

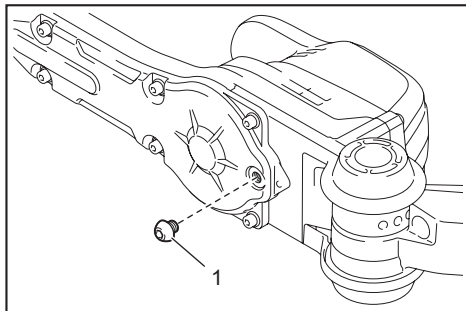
8. Regrese la herramienta a la posición normal y luego retire las rebabas de las cuchillas de cizalla con la lima.

9. Fije el receptáculo de ramas apretando el tornillo.

## Lubricación con grasa

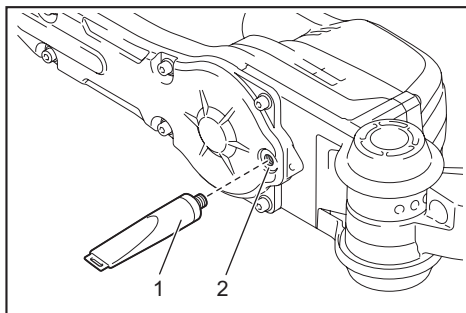
**Intervalo de lubricación:** Cada 25 horas de operación

1. Extraiga el perno del orificio para lubricarlo.



- 1. Perno

2. Retire la tapa del recipiente para grasa. Alinee la salida del recipiente para grasa con el orificio en la cubierta y luego oprima la salida del recipiente para grasa en el orificio.



- 1. Recipiente para grasa 2. Orificio

3. Aplique la grasa a la herramienta (aproximadamente 5 g (0,2 oz) como referencia).

4. Apriete el perno.

# RESOLUCIÓN DE PROBLEMAS

Antes de solicitar alguna reparación, primero realice una inspección por su cuenta. Si detecta algún problema que no esté explicado en el manual, no intente desensamblar la herramienta. En vez de esto, solicite la reparación a un centro de servicio autorizado de Makita, usando siempre piezas de repuesto Makita.

| Estado de la anomalía   | Causa probable (avería)  | Remedio   |
|---|--|---|
| El motor no funciona.   | El cartucho de batería no está instalado.                      | Instale el cartucho de batería.   |
|   | Problema con la batería (bajo voltaje)                         | Recargue la batería. Si la recarga no es efectiva, reemplace la batería.  |
|   | El sistema de accionamiento no funciona correctamente.         | Solicite la reparación en el centro de servicio autorizado de su localidad.   |
| El motor deja de funcionar después de un rato de uso.   | El nivel de carga de la batería es bajo.                       | Recargue la batería. Si la recarga no es efectiva, reemplace la batería.  |
|   | Sobrecalentamiento.  | Deje de usar la herramienta para permitir que se enfríe.  |
| La herramienta no alcanza el nivel máximo de RPM.   | La batería está mal instalada.                                 | Instale el cartucho de batería como se describe en este manual.   |
|   | La potencia de la batería se está reduciendo.                  | Recargue la batería. Si la recarga no es efectiva, reemplace la batería.  |
|   | El sistema de accionamiento no funciona correctamente.         | Solicite la reparación en el centro de servicio autorizado de su localidad.   |
| Las cuchillas de cizalla no se mueven:<br>⇒ ¡Detenga la máquina inmediatamente!                     | Ángulo inapropiado de las cuchillas de cizalla.                | Asegúrese de que la cabeza quede fijada debidamente en el ángulo de operación.  |
|   | Quedan atrapados objetos extraños en las cuchillas de cizalla. | 1. Utilice el botón de inversión.<br>2. Apague la herramienta y extraiga el cartucho de batería y luego retire los objetos extraños con herramientas tales como pinzas. |
|   | El sistema de accionamiento no funciona correctamente.         | Solicite la reparación en el centro de servicio autorizado de su localidad.   |
| Vibración anormal:<br>⇒ ¡Detenga la máquina inmediatamente!   | Las cuchillas de cizalla están rotas, dobladas o desgastadas.  | Reemplace las cuchillas de cizalla.   |
|   | El sistema de accionamiento no funciona correctamente.         | Solicite la reparación en el centro de servicio autorizado de su localidad.   |
| Las cuchillas de cizalla y el motor no se pueden detener:<br>⇒ ¡Extraiga la batería inmediatamente! | Avería eléctrica.  | Extraiga la batería y solicite la reparación en el centro de servicio autorizado de su localidad.   |

## ACCESORIOS OPCIONALES

**⚠PRECAUCIÓN:** Estos accesorios o aditamentos están recomendados para utilizarse con su herramienta Makita especificada en este manual. El empleo de cualquier otro accesorio o aditamento puede conllevar el riesgo de lesiones personales. Utilice los accesorios o aditamentos solamente para su fin establecido.

Si necesita cualquier ayuda para más detalles en relación con estos accesorios, pregunte a su centro de servicio local Makita.

- Conjunto de cuchillas de cizalla
- Recipiente para grasa
- Arnés para hombros
- Batería y cargador originales de Makita

**NOTA:** Algunos de los artículos en la lista pueden incluirse en el paquete de la herramienta como accesorios estándar. Éstos pueden variar de país a país.

## GARANTÍA LIMITADA DE MAKITA

### Ésta Garantía no aplica para México

Consulte la hoja de la garantía anexa para ver los términos más vigentes de la garantía aplicable a este producto. En caso de no disponer de esta hoja de garantía anexa, consulte los detalles sobre la garantía descritos en el sitio web de su país respectivo indicado a continuación.

Estados Unidos de América: [www.makitatools.com](http://www.makitatools.com)

Canadá: [www.makita.ca](http://www.makita.ca)

Otros países: [www.makita.com](http://www.makita.com)









**Makita Corporation**  
3-11-8, Sumiyoshi-cho,  
Anjo, Aichi 446-8502 Japan  
[www.makita.com](http://www.makita.com)

|   |
|---|
| 885757-937<br>DUN500W-1<br>EN, FRCA, ESMX<br>20191017 |
|---|