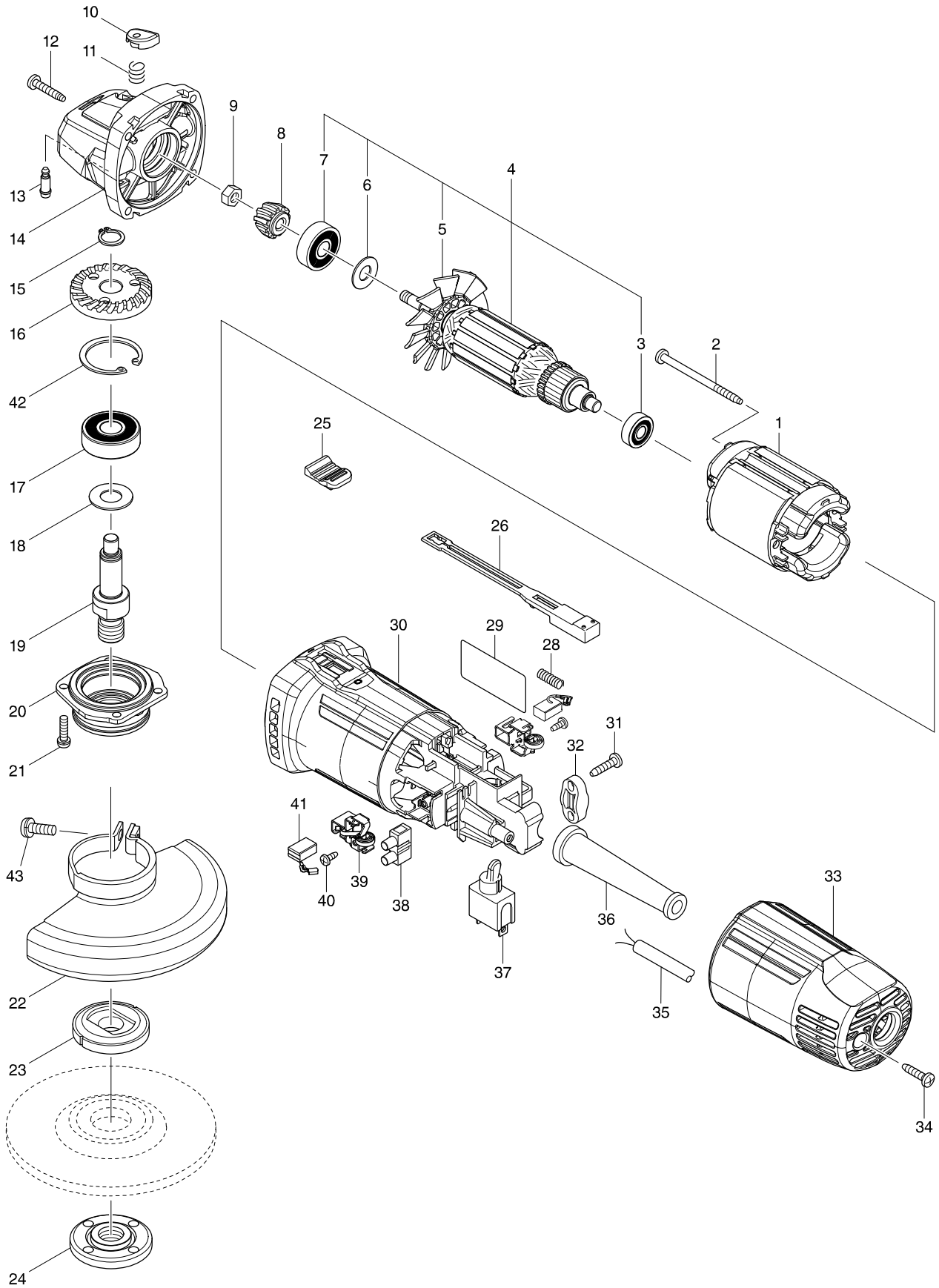


Modelo M0901 115MM ANGLE GRINDER



Modelo M0901 115MM ANGLE GRINDER

Pieza	Código	Descripción	Info	CTD.	N/O	Opc. 1	Opc. 2	OBS.
001	633751-6	CAMPO 115V P/ MGA90B		1				
002	266334-3	TORNILLO 4X60 P/HR2470		2				
003	210062-2	BALERO P/MT950		1				
004	515826-2	ARMADURA COMPLETA 115V P/ MGA90B		1				
D10		INC. 3,5-7						
005	240126-8	FAN 60		1				
006	267237-4	PLANO DE ARANDELA P/MT410		1				
007	211381-9	BALERO 629ZZ P/ MGA90B		1				
008	227579-8	ENGRANE PIÑON ESPIRAL 13 P/ MGA90B		1				
009	252186-8	TUERCA HEXAGONAL 6M P/9554NB		1				
010	452502-6	TAPA DEL PERNO DE BLOQUEO P/ MGA90B		1				
011	233376-2	RESORTE DE COMPRESION P/MT952		1				
012	266324-6	TORNILLO 4X22 P/HR2470		4				
013	256486-8	SOPORTE DEL PERNO P/9554NB		1				
014	141025-6	CARCASA DE ENGRANES COMPLETA		1				
015	961052-5	SEGURO DE RETEN S-12 P/9005B,950		1				
016	227578-0	ENGRANE CORONA ESPIRAL 37 P/ MGA90B		1				
017	211345-3	BALERO 6201DDW P/ MGA90B		1				
018	267238-2	PLANO DE ARANDELA P/MT950		1				
019	326456-2	SPINDLE A		1				
020	319090-5	CAJA DE BALEROS P/ MGA90B		1				
021	265100-5	TORNILLO M4X16 P/MT950		4				
022	123098-1	WHEEL COVER 115AK ASS'Y		1				
C10	213009-5	EMPAQUE "O" 4 P/2012NB		1				
C20	265180-1	TORNILLO M5X16 P/GA4530		1				
023	224399-1	INNER FLANGE 45		1				
024	224568-4	LOCK NUT 5/8-45		1				
025	452503-4	BOTON DEL INTERRUPTOR P/ MGA90B		1				
026	452501-8	PALANCA DEL INTERRUPTOR P/ MGA90B		1				
028	233360-7	RESORTE DE COMPRESION P/MT950		1				
029	850Y79-9	M0901 NAME PLATE		1				
030	455878-0	MOTOR HOUSING		1				
031	266326-2	TORNILLO 4X18 P/MT240,MT580		2				
032	687123-7	BRIDA DE CABLE,MT580		1				
033	452500-0	CUBIERTA POSTERIOR P/ MGA90B		1				
034	266326-2	TORNILLO 4X18 P/MT240,MT580		1				
035	664881-2	CABLE DE ALIMENTACIÉN # 18-2-2.0 F		1				
036	682569-2	CUBRE CABLE P/MT811		1				
037	651434-6	INTERRUPTOR TN15-2 P/ MGA90B		1				
039	643871-8	PORTA CARBON P/ MGA90B		2				
040	266492-5	TORNILLO 3 x 5 P/GA4534		2				
041	195025-8	JUEGO DE CARBONES CB-458 P/GA4530		1				
042	257978-0	ANILLO DE RETENCIÓN (INT) R-32 P/ MGA90B		1				
A01	153489-2	ASA COMPLETA 36 P/9557NB		1				
A02	782424-9	LOCK NUT WRENCH 28		1				



MX

MEXICO

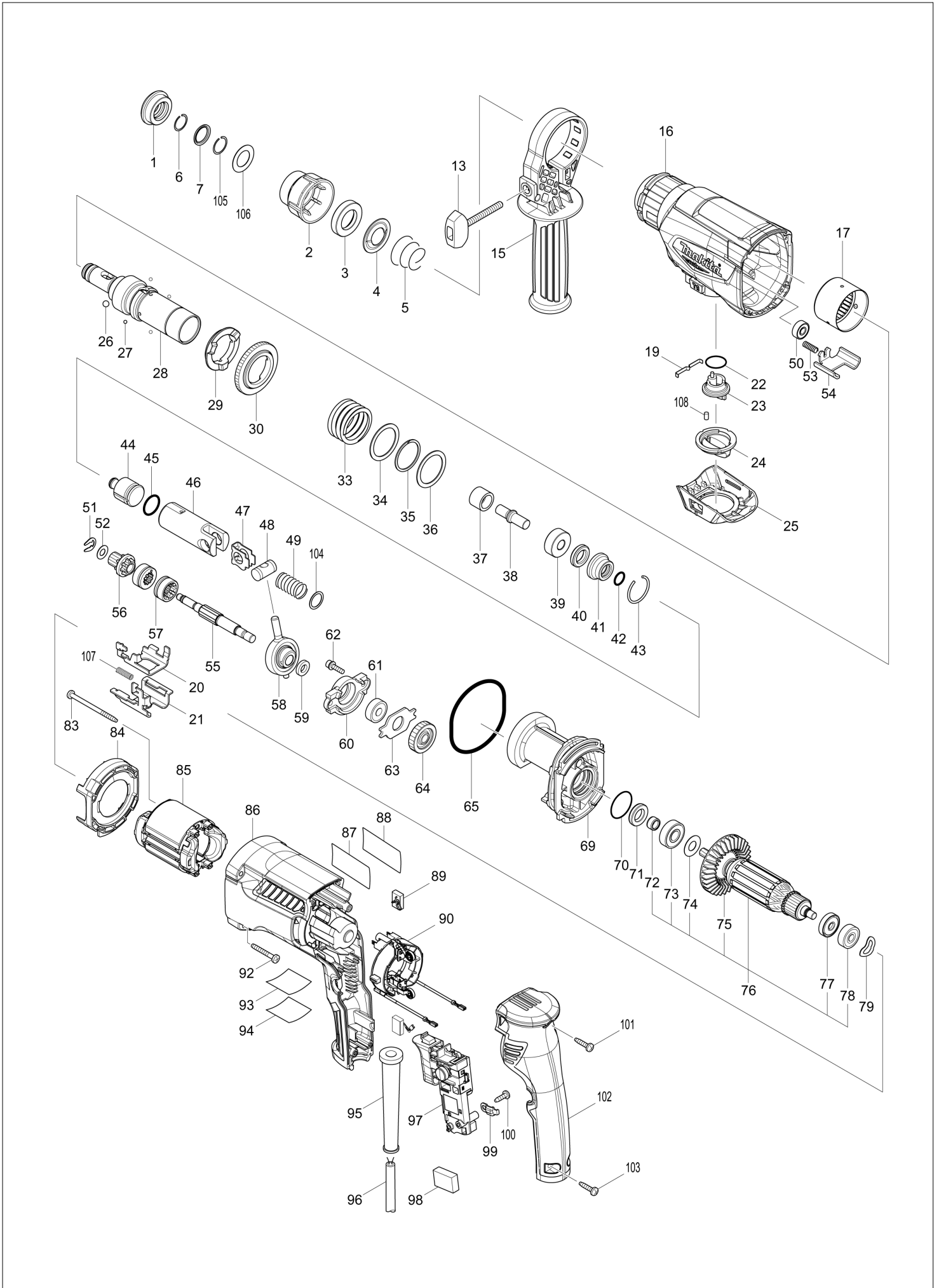
Diagram / Parts List

M8701

26MM COMBINATION HAMMER



(MX) M8701 / 26MM COMBINATION HAMMER



MX

MEXICO

M8701 / 26MM COMBINATION HAMMER

Item	Sub	Parts No.	Parts Description	Qty	I/C	E/C No.	Close No.	Remark
001		286288-8	CAP 35	1				
002		456529-8	CHUCK COVER	1				
003		325813-1	RING 21	1				
004		346177-0	GUIDE WASHER	1				
005		233916-6	CONICAL COMP. SPRING 21-29	1				
006		233989-9	RING SPRING 14	1				
007		346834-0	WASHER 16	1				
013		265795-4	THUMB SCREW M6X52	1				
015		452985-0	GRIP 34	1				
016		144216-8	GEAR HOUSING COMPLETE	1				
	C10	213636-8	OIL SEAL 25	1				
017		143962-0	NEEDLE BEARING COMPLETE	1				
019		232286-0	LEAF SPRING	1				
020		347000-2	CHANGE PLATE B	1				
021		346999-8	CHANGE PLATE A	1				
022		213278-8	O RING 17	1				
023		455392-6	CHANGE LEVER	1				
024		455394-2	CHANGE LEVER CAP	1				
025		456528-0	CHANGE LEVER COVER	1				
026		216022-2	STEEL BALL 7.0	2				
027		216019-1	STEEL BALL 3	4				
028		144215-0	TOOL HOLDER COMPLETE	1				
	C10	213344-1	OIL SEAL 9	1				
029		332139-4	DRIVING FLANGE	1				
030		227360-7	SPUR GEAR 51	1				
033		231899-4	COMPRESSION SPRING 31	1				
034		267153-0	FLAT WASHER 30	1				
035		257932-4	SPIRO LOCK WASHER 30	1				
036		267153-0	FLAT WASHER 30	1				
037		325782-6	SLEEVE 9A	1				
038		325789-2	IMPACT BOLT A	1				
039		325794-9	RING 10A	1				
040		424267-0	CUSHION RING 12	1				
041		325798-1	O-RING CASE A	1				
042		213073-6	O RING 9	1				
043		233979-2	RING SPRING 28	1				
044		325784-2	STRIKER	1				
045		213258-4	O RING 17.5	1				
046		310345-1	PISTON CYLINDER	1				
047		346036-8	GUIDE PLATE	1				
048		324215-8	PISTON JOINT	1				
049		234098-7	COMPRESSION SPRING 14	1				
050		210137-7	BALL BEARING 606ZZ	1				
051		257336-0	STOP RING EXT U-6	1				
052		253186-1	FLAT WASHER 7	1				
053		233360-7	COMPRESSION SPRING 4	1				
054		346998-0	LOCK PLATE	1				
055		326448-1	CAM SHAFT	1				
056		227359-2	SPUR GEAR 10	1				
057		310678-4	CLUTCH CAM	2				
058		219021-3	SWASH BEARING 10	1				
059		257321-3	RING 8	1				
060		310344-3	BEARING BOX	1				
061		210046-0	BALL BEARING 608ZZ	1				
062		266437-3	HEX. SOCKET HEAD BOLT M4X16	2				
063		285735-6	BEARING RETAINER	1				
064		227748-1	HELICAL GEAR 27	1				
065A		213727-5	O-RING 63	1				
065B		213727-5	O-RING 63	1				
065C		213727-5	O-RING 63	1			Z51100	
065D		213727-5	O-RING 63	1			Z51100	
065-1C		213727-5	O-RING 63	1	O	Z51100		
065-1D		213727-5	O-RING 63	1	O	Z51100		
069		141664-2	INNER HOUSING COMPLETE	1				
	C10	443153-6	FELT	1				

A:M8701G(L)
B:M8701ZG(L)
C:M8701B(L)
D:M8701ZB(L)

Interchange
O : Yes
X : No
< : the new part can be substituted for the current.
> : the current part can be substituted for the new.
S : Interchangeable as a set.

MX

MEXICO

M8701 / 26MM COMBINATION HAMMER

Item	Sub	Parts No.	Parts Description	Qty	I/C	E/C No.	Close No.	Remark
070A		213407-3	O RING 26	1				
070B		213407-3	O RING 26	1				
070C		213407-3	O RING 26	1			Z51100	
070D		213407-3	O RING 26	1			Z51100	
070-1C		213445-5	O-RING 26	1	O	Z51100		
070-1D		213445-5	O-RING 26	1	O	Z51100		
071		213678-2	OIL SEAL 12	1				
072		262571-7	SLEEVE 8	1				
073		211480-7	BALL BEARING 6000ZZ	1				
074		267213-8	FLAT WASHER 10	1				
075		240084-8	FAN 60	1				
076A		513942-4	ARMATURE ASS'Y 115V	1				
	D10		INC. 72-75,77,78					
076B		513942-4	ARMATURE ASS'Y 115V	1				
	D10		INC. 72-75,77,78					
076C		513942-4	ARMATURE ASS'Y 115V	1			DF012	
	D10		INC. 72-75,77,78				DF012	
076D		513942-4	ARMATURE ASS'Y 115V	1			DF012	
	D10		INC. 72-75,77,78				DF012	
076-1C		513942-4	ARMATURE ASS'Y 115V	1	O	DF012		
	D10		INC. 72-75,77,78			DF012		
076-1D		513942-4	ARMATURE ASS'Y 115V	1	O	DF012		
	D10		INC. 72-75,77,78			DF012		
077		681652-2	INSULATION WASHER	1				
078		210050-9	BALL BEARING 627ZZ	1				
079		267804-5	WAVE WASHER 15	1				
083		266334-3	TAPPING SCREW 4X60	2				
084		452984-2	BAFFLE PLATE	1				
085		633977-0	FIELD 115V	1				
086A		453014-2	MOTOR HOUSING	1				
086B		453014-2	MOTOR HOUSING	1				
086C		455974-4	MOTOR HOUSING	1				
086D		455974-4	MOTOR HOUSING	1				
087		852T28-2	M8701 NAME PLATE	1				
088		890304-6	CLEAR LABEL	1				
089		195025-8	CARBON BRUSH CB-458	1				
090		638747-2	BRUSH HOLDER UNIT	1				
092		266361-0	TAPPING SCREW 4X30	4				
093		852T30-5	M8701 SERIAL NO. LABEL	1				
094		890297-7	CLEAR LABEL	1				
095		682559-5	CORD GUARD 8	1				
096		664891-9	POWER SUPPLY CORD AWG#18-2-2.5	1				
097		650671-9	SWITCH TG853TB-1C	1				
099		687681-3	STRAIN RELIEF	1				
100		266385-6	TAPPING SCREW 4X14	1				
101		266326-2	TAPPING SCREW 4X18	1				
102A		453012-6	HANDLE COVER	1				
102B		453012-6	HANDLE COVER	1				
102C		455975-2	HANDLE COVER	1				
102D		455975-2	HANDLE COVER	1				
103		266326-2	TAPPING SCREW 4X18	2				
104		267447-3	FLAT WASHER 14	1				
105		233992-0	RING SPRING 15	1				
106		267114-0	FLAT WASHER 17	1				
107		231900-5	COMPRESSION SPRING 5	1				
108		263005-3	RUBBER PIN 6	1				
A01		321144-6	DEPTH GAUGE	1				
A02A		821660-3	PLASTIC CARRYING CASE	1				
	C10	452432-1	SLIDE LATCH	2				
	C20	806G57-9	MAKITA MT LOGO LABEL	1				
A02C		821660-3	PLASTIC CARRYING CASE	1				
	C10	452432-1	SLIDE LATCH	2				
	C20	806G57-9	MAKITA MT LOGO LABEL	1				
A03A		810V61-2	M8701G PLASTIC CASE LABEL	2				
A03C		810V60-4	M8701B PLASTIC CASE LABEL	2			Z51100	

A:M8701G(L)
B:M8701ZG(L)
C:M8701B(L)
D:M8701ZB(L)

Interchange

O : Yes

X : No

< : the new part can be substituted for the current.

> : the current part can be substituted for the new.

S : Interchangeable as a set.

