



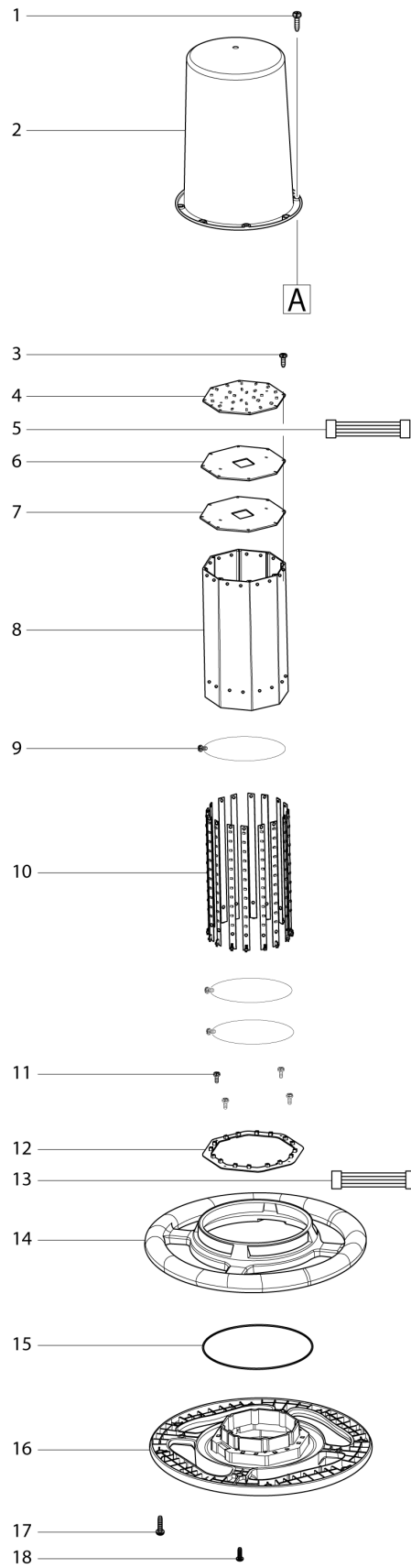
| | |
|----|-------|
| ES | SPAIN |
|----|-------|

Diagram / Parts List

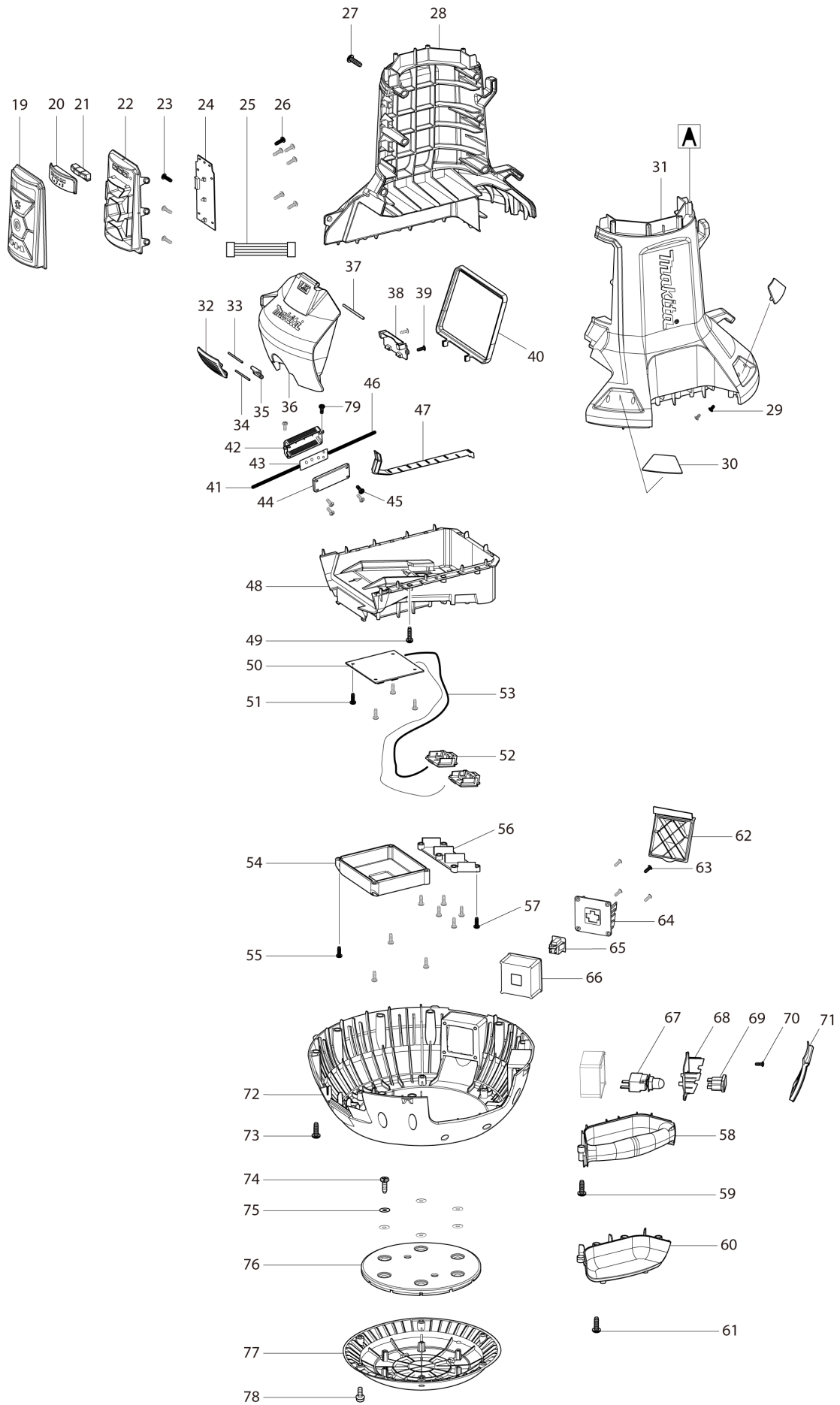
DML810

CORDLESS AREA WORKLIGHT

(ES) DML810 / CORDLESS AREA WORKLIGHT



(ES) DML810 / CORDLESS AREA WORKLIGHT



DML810 / CORDLESS AREA WORKLIGHT

| Item | Sub | Parts No. | Parts Description | Qty | I/C | E/C No. | Close No. | Remark |
|-------|-----|------------|----------------------------|-----|-----|---------|-----------|--------|
| 001 | | QY00000001 | TAPPING SCREW 4X20 | 8 | | | | |
| 002 | | QY00000002 | LED COVER | 1 | | | | |
| 003 | | QY00000003 | TAPPING SCREW 3.5X14 | 8 | | | | |
| 004 | | QY00000004 | LED PLATE | 1 | | | | |
| 005 | | QY00000005 | WIRE UNIT 6X300 | 1 | | | | |
| 006 | | QY00000006 | INSULATION PLATE | 1 | | | | |
| 007 | | QY00000007 | HEAT SINK PLATE COVER | 1 | | | | |
| 008 | | QY00000008 | HEAT SINK PLATE | 1 | | | | |
| 009 | | QY00000009 | TAPPING SCREW 3X6 | 48 | | | | |
| 010 | | QY00000010 | LED PLATE LONG | 16 | | | | |
| 011 | | QY00000011 | TAPPING SCREW 3X12 | 4 | | | | |
| 012 | | QY00000012 | DISTRIBUTION UNIT FOR LED | 1 | | | | |
| 013 | | QY00000013 | WIRE UNIT 6X1000 | 1 | | | | |
| 014 | | QY00000014 | CIRCLE HANDLE UPPER | 1 | | | | |
| 015 | | QY00000015 | O-RING | 1 | | | | |
| 016 | | QY00000016 | CIRCLE HANDLE LOWER | 1 | | | | |
| 017 | | QY00000001 | TAPPING SCREW 4X20 | 8 | | | | |
| 018 | | QY00000017 | TAPPING SCREW 3.5X14 | 12 | | | | |
| 019 | | QY00000018 | SWITCH COVER | 1 | | | | |
| 020 | | QY00000019 | INDICATOR COVER | 1 | | | | |
| 021 | | QY00000020 | INDICATOR UNIT | 1 | | | | |
| 022 | | QY00000021 | SWITCH PCB BASE | 1 | | | | |
| 023 | | QY00000017 | TAPPING SCREW 3.5X14 | 3 | | | | |
| 024 | | QY00000022 | SWITCH UNIT | 1 | | | | |
| 025 | | QY00000023 | WIRE UNIT 10X850 | 1 | | | | |
| 026 | | QY00000017 | TAPPING SCREW 3.5X14 | 6 | | | | |
| 027 | | QY00000024 | TAPPING SCREW 5X20 | 6 | | | | |
| 028 | | QY00000073 | HOUSING SET | 1 | | | | |
| | D10 | | INC. 31 | | | | | |
| 029 | | QY00000026 | TAPPING SCREW 3X8 | 8 | | | | |
| 030 | | QY00000027 | REFLECTOR | 4 | | | | |
| 031 | | QY00000073 | HOUSING SET | 1 | | | | |
| | D10 | | INC. 28 | | | | | |
| 032 | | QY00000029 | LATCH | 1 | | | | |
| 033 | | QY00000030 | PIN 2.5X73 | 1 | | | | |
| 034 | | QY00000031 | PIN 4X75 | 1 | | | | |
| 035 | | QY00000032 | BATTERY COVER PLATE | 1 | | | | |
| 036 | | QY00000033 | BATTERY COVER | 1 | | | | |
| 037 | | QY00000034 | PIN 2.5X52.5 | 1 | | | | |
| 038 | | QY00000035 | BATTERY COVER BASE | 1 | | | | |
| 039 | | QY00000036 | TAPPING SCREW 3X12 | 2 | | | | |
| 040 | | QY00000037 | BATTERY COVER PACKING | 1 | | | | |
| 041 | | QY00000038 | CABLE | 1 | | | Y08251 | |
| 041-1 | | QY00000092 | CABLE | 1 | X | Y08251 | | |
| 042 | | QY00000039 | POWER UNDER COVER | 1 | | | | |
| 043 | | QY00000040 | PCB BOARD | 1 | | | | |
| 044 | | QY00000041 | POWER COVER | 1 | | | | |
| 045 | | QY00000011 | TAPPING SCREW 3X12 | 4 | | | | |
| 046 | | QY00000042 | WIRE UNIT 400 | 1 | | | | |
| 047 | | QY00000043 | PACKING | 1 | | | | |
| 048 | | QY00000044 | BATTERY BOX LOWER | 1 | | | | |
| 049 | | QY00000001 | TAPPING SCREW 4X20 | 8 | | | | |
| 050 | | QY00000045 | MAIN CONTROLER UNIT | 1 | | | | |
| 051 | | QY00000017 | TAPPING SCREW 3.5X14 | 4 | | | | |
| 052 | | QY00000046 | TERMINAL | 2 | | | | |
| 053 | | QY00000047 | WIRE UNIT 300 | 2 | | | | |
| 054 | | QY00000048 | CONTROLER BOX | 1 | | | | |
| 055 | | QY00000017 | TAPPING SCREW 3.5X14 | 4 | | | | |
| 056 | | QY00000049 | BATTERY TERMINAL FIX PLATE | 1 | | | | |
| 057 | | QY00000017 | TAPPING SCREW 3.5X14 | 6 | | | | |
| 058 | | QY00000050 | UPPER GRIP | 1 | | | | |
| 059 | | QY00000024 | TAPPING SCREW 5X20 | 3 | | | | |
| 060 | | QY00000051 | LOWER GRIP | 1 | | | | |
| 061 | | QY00000024 | TAPPING SCREW 5X20 | 4 | | | | |
| 062 | | QY00000052 | AC OUTPUT SOCKET COVER | 1 | | | | |

Interchange
O : Yes
X : No
< : the new part can be substituted for the current.
> : the current part can be substituted for the new.
S : Interchangeable as a set.

