



MX

MEXICO

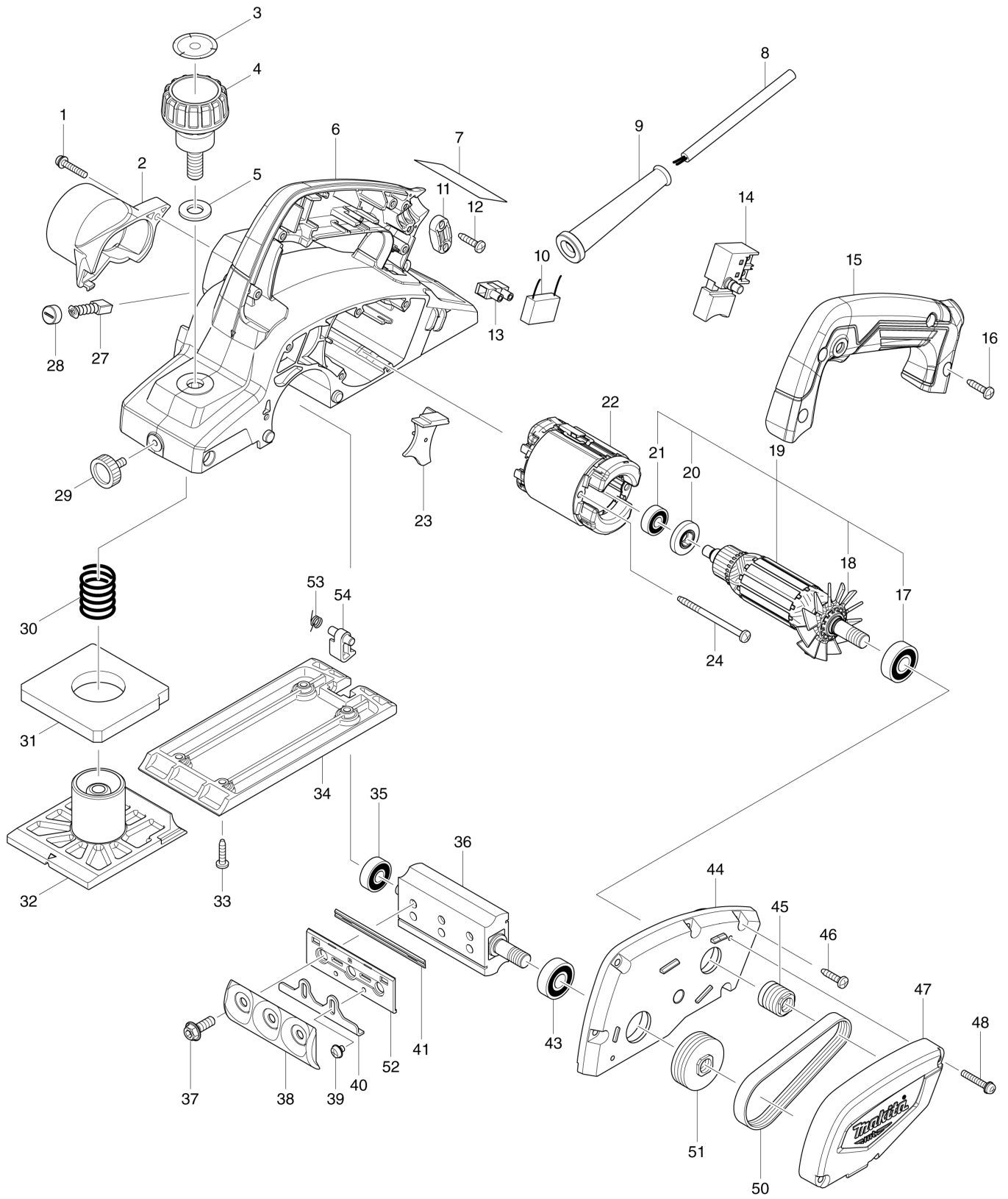
Diagram / Parts List

M1902

82MM PLANER



(MX) M1902 / 82MM PLANER



MX	MEXICO
-----------	---------------

M1902 / 82MM PLANER

Item	Sub	Parts No.	Parts Description	Qty	I/C	E/C No.	Close No.	Remark
001		265147-9	+ PAN HEAD SCREW M4X22	1				
002		456708-8	CHIP COVER	1				
003		809N39-2	SCALE LABEL	1				
004		271429-9	KNOB 44	1				
005		267278-0	FLAT WASHER 10	1				
006A		143875-5	MAIN FRAME COMPLETE	1			C2232	
	C10	643509-5	BRUSH HOLDER 6X9	2			C2232	
006-1A		140A26-7	MAIN FRAME COMPLETE	1	S	C2232		
	C10	643509-5	BRUSH HOLDER 6X9	2		C2232	C6604	
	C11	643858-0	BRUSH HOLDER 6X9	2	<	C6604		
006-1B		140A25-9	MAIN FRAME COMPLETE	1				
	C11	643858-0	BRUSH HOLDER 6X9	2				
007		852K30-1	M1902 NAME PLATE	1				
008		664881-2	POWER SUPPLY CORD #18-2-2.0	1				
009		682569-2	CORD GUARD 8-85	1				
011		687123-7	STRAIN RELIEF	1				
012		266841-6	TAPPING SCREW 4X18	2				
014		650246-4	SWITCH TN14-3-C01-1	1				
015A		456882-2	HANDLE COVER	1				
015B		456705-4	HANDLE COVER	1				
016		266841-6	TAPPING SCREW 4X18	4				
017		210141-6	BALL BEARING 6000DDW	1				
018		240068-6	FAN 52	1				
019		513476-7	ARMATURE ASS'Y 115V	1				
	D10		INC. 17,18,20,21					
020		681672-6	INSULATION WASHER	1				
021		211382-7	BALL BEARING 607ZZ	1				
022A		593921-8	FIELD ASS'Y 115V	1			C2232	
	C10	654450-7	RING TERMINAL	2			C2232	
	C20	654501-6	CONNECTOR P-1.25	2			B6826	
	C21	654485-8	PARALLEL SPLICE	2	>	B6826	C2232	
022-1A		594701-5	FIELD ASSY 115V	1	S	C2232		
	C10	654450-7	RING TERMINAL	2		C2232		
	C21	654485-8	PARALLEL SPLICE	2	>	C2232		
022-1B		594701-5	FIELD ASSY 115V	1				
	C10	654450-7	RING TERMINAL	2				
	C21	654485-8	PARALLEL SPLICE	2				
023		456707-0	ASSIST FAN GUIDE	1				
024		266334-3	TAPPING SCREW 4X60	2				
027		195008-8	CARBON BRUSH CB-408	1				
028		643987-9	BRUSH HOLDER CAP 5-8	2				
029		265757-2	THUMB SCREW M5X10	1				
030		233395-8	COMPRESSION SPRING 18	1				
031		421858-8	RUBBER PACKING	1				
032		319418-7	FRONT BASE	1				
033		266841-6	TAPPING SCREW 4X18	4				
034A		318499-8	BASE	1			B7244	
034-1A		319582-4	BASE	1	O	B7244		
034-1B		319582-4	BASE	1				
035		210046-0	BALL BEARING 608ZZ	1				
036		161458-9	DRUM	1				
037		251482-1	HEX. SOCKET HEX. BOLT M6X17	6				
038		347024-8	DRUM PLATE	2				
039		265132-2	+ PAN HEAD SCREW M4X5	4				
040		345644-2	ADJUST PLATE	2				
043		210141-6	BALL BEARING 6000DDW	1				
044		143763-6	BRACKET COMPLETE	1				
	C10	263002-9	RUBBER PIN 4	2				
045		222163-4	V PULLEY 4-20L	1				
046		266841-6	TAPPING SCREW 4X18	6				
047		456963-2	BELT COVER	1				
048		265101-3	PAN HEAD SCREW M4X25	2				
050		225092-0	POLY V-BELT 4-241	1				
051		222164-2	V PULLEY 4-37	1				
052		343433-9	SET PLATE F/MINI BLADE	2				

A:M1902G(L)
B:M1902B(L)

Interchange
O : Yes
X : No
< : the new part can be substituted for the current.
> : the current part can be substituted for the new.
S : Interchangeable as a set.

