



MX

MEXICO

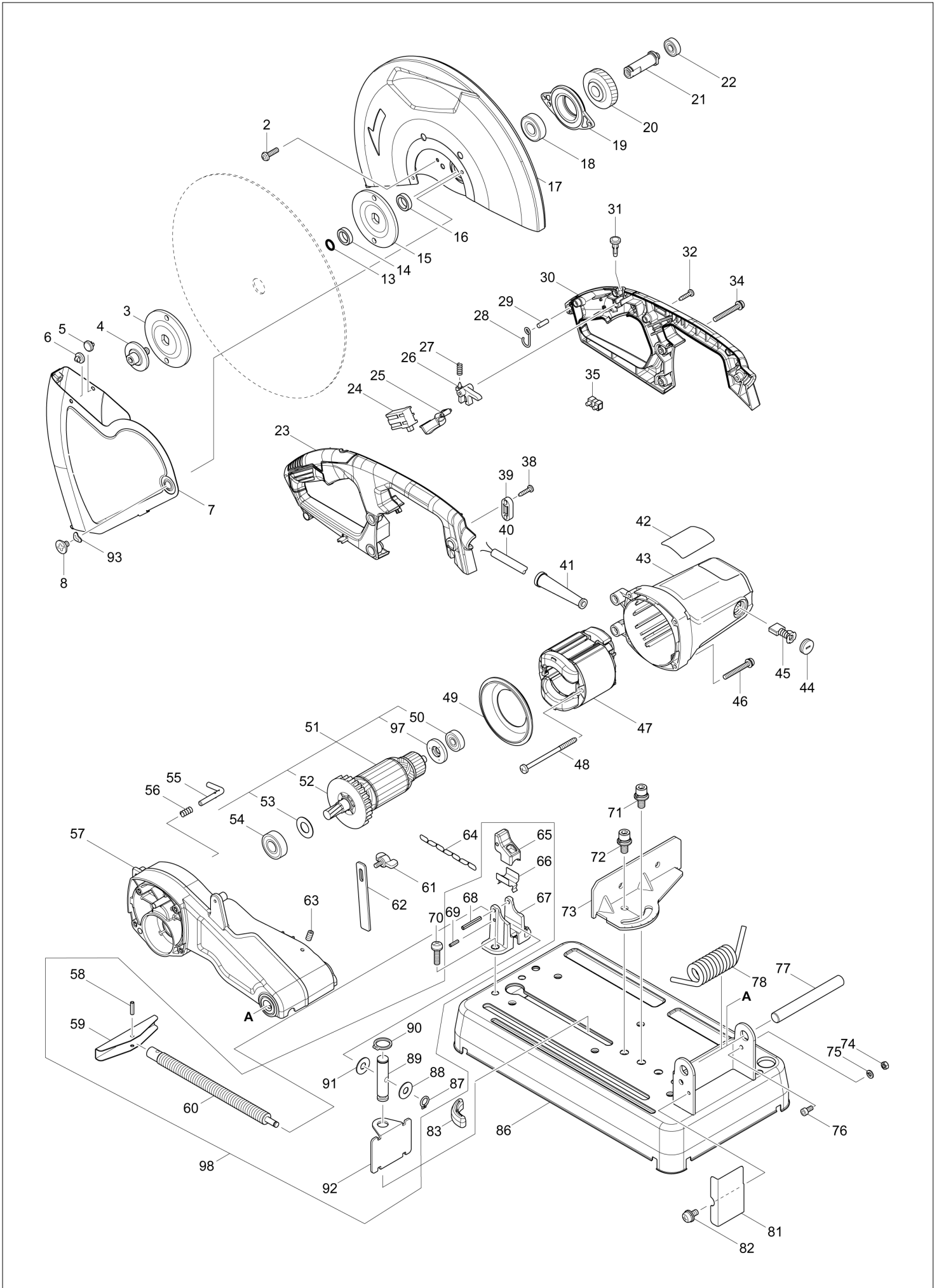
Diagram / Parts List

M2401

355MM PORTABLE CUT OFF



(MX) M2401 / 355MM PORTABLE CUT OFF



MX

MEXICO

M2401 / 355MM PORTABLE CUT OFF

| Item | Sub | Parts No. | Parts Description | Qty | I/C | E/C No. | Close No. | Remark |
|--------|-----|-----------|--------------------------------|-----|-----|---------|-----------|--------|
| 002 | | 265122-5 | PAN HEAD SCREW M5X20 | 4 | | | | |
| 003 | | 224299-5 | FLANGE 90 | 1 | | | | |
| 004 | | 251498-6 | HEX SOCKET HEAD BOLT M10X25 | 1 | | | | |
| 005 | | 416771-3 | PLUG | 1 | | | | |
| 006 | | 416771-3 | PLUG | 1 | | | | |
| 007 | | 161529-2 | SAFETY GUIDE | 1 | | | | |
| 008 | | 265121-7 | + FLAT HEAD SCREW M6 | 1 | | | | |
| 013 | | 213180-5 | O RING 14 | 1 | | | | |
| 014 | | 257255-0 | RING 17 | 1 | | | | |
| 015 | | 224299-5 | FLANGE 90 | 1 | | | | |
| 016 | | 257255-0 | RING 17 | 1 | | | | |
| 017 | | 161530-7 | SAFETY COVER | 1 | | | | |
| 018 | | 210155-5 | BALL BEARING 6203ZZ | 1 | | | | |
| 019 | | 316527-3 | BEARING BOX | 1 | | | | |
| 020 | | 221462-1 | HELICAL GEAR 43 | 1 | | | | |
| 021 | | 326790-0 | SPINDLE | 1 | | | DA390 | |
| 021-1 | | 322633-4 | SPINDLE | 1 | O | DA390 | | |
| 022A | | 210067-2 | BALL BEARING 6000ZZ | 1 | | | C7958 | |
| 022-1A | | 210199-5 | BALL BEARING 6000ZZ | 1 | O | C7958 | | |
| 022-1B | | 210199-5 | BALL BEARING 6000ZZ | 1 | | | | |
| 023A | | 183E49-6 | HANDLE SET | 1 | | | | |
| 023B | | 183E50-1 | HANDLE SET | 1 | | | | |
| | D10 | | INC. 30 | | | | | |
| 024 | | 651067-7 | SWITCH | 1 | | | | |
| 025 | | 418140-4 | SWITCH LEVER | 1 | | | | |
| 026 | | 418139-9 | SWITCH LOCK | 1 | | | | |
| 027 | | 231397-8 | COMPRESSION SPRING 4 | 1 | | | | |
| 028 | | 281216-8 | HANGER | 1 | | | | |
| 029 | | 268101-2 | PIN 6 | 1 | | | | |
| 030A | | 183E49-6 | HANDLE SET | 1 | | | | |
| 030B | | 183E50-1 | HANDLE SET | 1 | | | | |
| | D10 | | INC. 23 | | | | | |
| 031 | | 418138-1 | SWITCH BUTTON | 1 | | | | |
| 032 | | 266841-6 | TAPPING SCREW 4X18 | 4 | | | D8067 | |
| 032-1 | | 266326-2 | TAPPING SCREW 4X18 | 4 | O | D8067 | | |
| 034 | | 265104-7 | PAN HEAD SCREW M5X40 | 3 | | | | |
| 038 | | 266841-6 | TAPPING SCREW 4X18 | 2 | | | D8067 | |
| 038-1 | | 266326-2 | TAPPING SCREW 4X18 | 2 | O | D8067 | | |
| 039 | | 687124-5 | STRAIN RELIEF | 1 | | | | |
| 040 | | 664463-0 | POWER SUPPLY CORD AWG#14-2-2.8 | 1 | | | | |
| 041 | | 682574-9 | CORD GUARD 10-90 | 1 | | | | |
| 042 | | 852N80-4 | M2401 NAME PLATE | 1 | | | | |
| 043A | | 144054-8 | MOTOR HOUSING COMPLETE | 1 | | | D8067 | |
| 043B | | 144055-6 | MOTOR HOUSING COMPLETE | 1 | | | D8067 | |
| 043-1A | | 140X59-0 | MOTOR HOUSING COMPLETE | 1 | O | D8067 | | |
| 043-1B | | 140X63-9 | MOTOR HOUSING COMPLETE | 1 | O | D8067 | | |
| 044 | | 644802-0 | HOLDER CAP | 2 | | | | |
| 045 | | 194991-6 | CARBON BRUSH SET CB203 | 1 | | | | |
| 046 | | 265104-7 | PAN HEAD SCREW M5X40 | 4 | | | | |
| 047 | | 593946-2 | FIELD ASS'Y 115V | 1 | | | D6007 | |
| 047-1 | | 593946-2 | FIELD ASS'Y 115V | 1 | O | D6007 | | |
| 048 | | 266328-8 | TAPPING SCREW 5X80 | 2 | | | | |
| 049 | | 418143-8 | BAFFLE PLATE | 1 | | | | |
| 050 | | 210070-3 | BALL BEARING 6200ZZ | 1 | | | | |
| 051 | | 513492-9 | ARMATURE ASS'Y 115V | 1 | | | | |
| | D10 | | INC. 50,52-54,97 | | | | | |
| 052 | | 240003-4 | FAN 80 | 1 | | | | |
| 053 | | 267274-8 | FLAT WASHER 15 | 1 | | | | |
| 054 | | 210156-3 | BALL BEARING 6202ZZ | 1 | | | | |
| 055 | | 322665-1 | STOPPER | 1 | | | | |
| 056 | | 233372-0 | COMPRESSION SPRING 7 | 1 | | | | |
| 057 | | 144057-2 | GEAR HOUSING COMPLETE | 1 | | | | |
| | C10 | 263029-9 | RUBBER PIN 6 | 1 | | | D8694 | |
| | C11 | 263005-3 | RUBBER PIN 6 | 1 | O | D8694 | | |
| 058 | | 951163-4 | SPRING PIN 5-20 | 1 | | | | |

A:M2401G(L)
B:M2401B(L)Interchange
O : Yes
X : No
< : the new part can be substituted for the current.
> : the current part can be substituted for the new.
S : Interchangeable as a set.

