



MX	MEXICO
----	--------

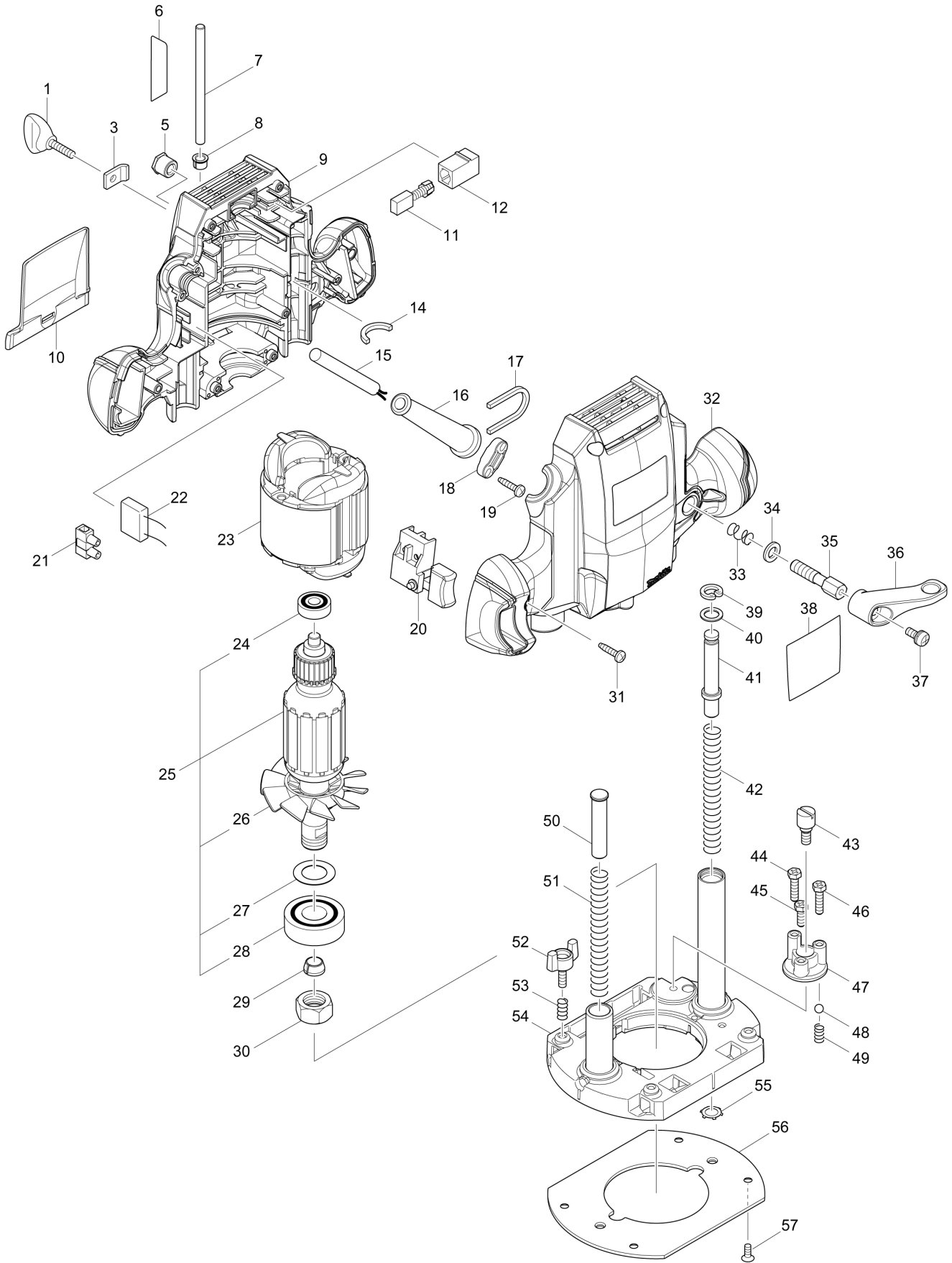
# Diagram / Parts List

**M3601**

**ROUTER**



(MX) M3601 / ROUTER



<b>MX</b>	<b>MEXICO</b>
-----------	---------------

### M3601 / ROUTER

Item	Sub	Parts No.	Parts Description	Qty	I/C	E/C No.	Close No.	Remark
001		251878-6	SCREW M5X20	1				
003		346007-5	PRESSURE PLATE	1				
005		252094-3	HEX. NUT M8	1				
006		893478-2	SCALE LABEL	1				
007		321948-6	STOPPER POLE	1				
008		451035-8	DEPTH POINTER	1				
009A		183E26-8	HOUSING SET	1			DD737	
009B		183E25-0	HOUSING SET	1			DD737	
	C10	263002-9	RUBBER PIN 4	3			DD737	
	C20	263005-3	RUBBER PIN 6	1			DD737	
	C30	931202-6	HEX. NUT M5	1			DD737	
	D10		INC. 32				DD737	
009-1A		183V54-5	HOUSING SET	1	<	DD737		
009-1B		183V58-7	HOUSING SET	1	<	DD737		
	C10	263002-9	RUBBER PIN 4	3		DD737		
	C20	263005-3	RUBBER PIN 6	1		DD737		
	C30	931202-6	HEX. NUT M5	1		DD737		
	D10		INC. 32			DD737		
010		450820-6	CHIP DEFLECTOR	1				
011		194977-0	CARBON BRUSH SET CB-107	1				
012		643601-7	BRUSH HOLDER 6-10	2				
014		443073-4	FELT	1				
015		664881-2	POWER SUPPLY CORD #18-2-2.0	1				
016		682569-2	CORD GUARD 8-85	1				
017		443074-2	FELT	1				
018		687123-7	STRAIN RELIEF	1				
019		266326-2	TAPPING SCREW 4X18	2				
020		650218-9	SWITCH FA1-6/1W-1	1				
023A		594591-6	FIELD ASS'Y 115V	1			B1644	
	C10	654037-5	INSULATED TERM. FT1.25-M3	2			B1644	
023-1A		590052-4	FIELD ASS'Y 115V	1	O	B1644		
	C10	654409-4	TERMINAL VR1.25-3.5LB	2	O	B1644		
023-1B		590052-4	FIELD ASS'Y 115V	1				
	C10	654409-4	TERMINAL VR1.25-3.5LB	2				
024		210029-0	BALL BEARING 608ZZ	1				
025		510203-3	ARMATURE ASS'Y 115V	1				
	D10		INC. 24,26-28					
026		240123-4	FAN 72	1				
027		267114-0	FLAT WASHER 17	1				
028		211285-5	BALL BEARING 6203DDW	1			D3651	
028-1		210239-9	BALL BEARING 6203DDW	1	O	D3651		
029		763637-1	COLLET CONE 1/4"	1				
030		763615-1	COLLET NUT	1				
031		266326-2	TAPPING SCREW 4X18	7				
032A		183E26-8	HOUSING SET	1			DD737	
032B		183E25-0	HOUSING SET	1			DD737	
	C10	263002-9	RUBBER PIN 4	3			DD737	
	C20	263005-3	RUBBER PIN 6	1			DD737	
	C30	931202-6	HEX. NUT M5	1			DD737	
	D10		INC. 9				DD737	
032-1A		183V54-5	HOUSING SET	1	<	DD737		
032-1B		183V58-7	HOUSING SET	1	<	DD737		
	C10	263002-9	RUBBER PIN 4	3		DD737		
	C20	263005-3	RUBBER PIN 6	1		DD737		
	C30	931202-6	HEX. NUT M5	1		DD737		
	D10		INC. 9			DD737		
033		233110-0	COMPRESSION SPRING 8	1				
034		941202-8	FLAT WASHER 8	1				
035		266920-0	SET BOLT M8	1				
036		450821-4	LEVER 47	1				
037		911213-7	PAN HEAD SCREW M5X12	1				
038		852C08-6	M3601 NAME PLATE	1				
039		962065-9	RETAINING RING R-15	1				
040		267047-9	FLAT WASHER 10	1				
041		451524-3	PIN 10	1				

A:M3601G(L)  
B:M3601B(L)

Interchange  
O : Yes  
X : No  
< : the new part can be substituted for the current.  
> : the current part can be substituted for the new.  
S : Interchangeable as a set.

