



MX

MEXICO

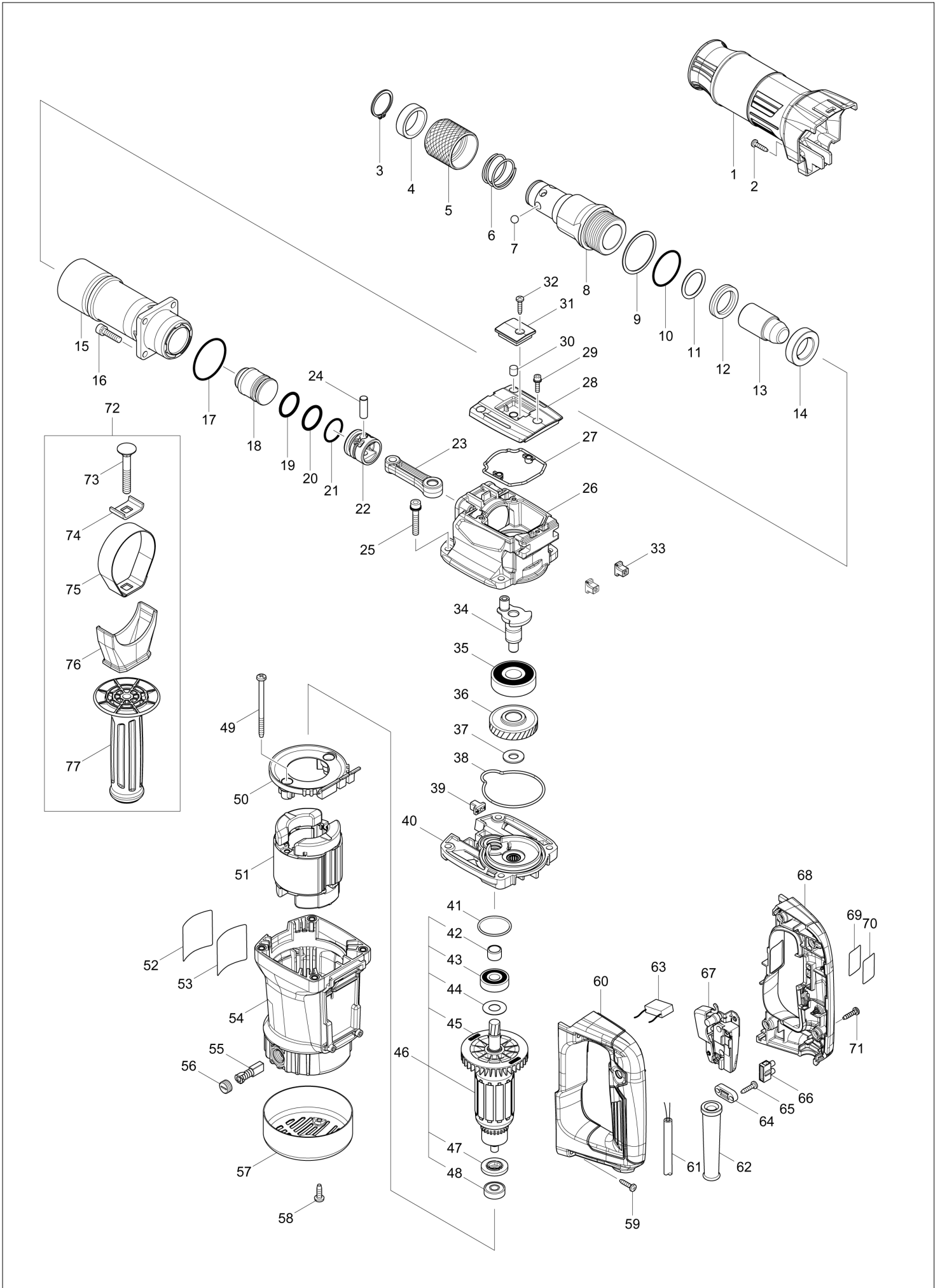
Diagram / Parts List

M8600

DEMOLITION HAMMER



(MX) M8600 / DEMOLITION HAMMER



MX

MEXICO

M8600 / DEMOLITION HAMMER

Item	Sub	Parts No.	Parts Description	Qty	I/C	E/C No.	Close No.	Remark
001		455159-2	BARREL COVER	1				
002		266326-2	TAPPING SCREW 4X18	1				
003		961108-4	RETAINING RING S-28	1				
004		257206-3	RING 29	1				
005		331518-3	CHANGE RING	1				
006		233191-4	COMPRESSION SPRING 30	1				
007		216004-4	STEEL BALL 7.9	6				
008		326423-7	TOOL HOLDER	1				
009		267484-7	FLAT WASHER 43	1				
010		213508-7	O RING 38	1				
011		213411-2	O RING 27	1				
012		213428-5	X RING 28	1				
013		326422-9	IMPACT BOLT	1				
014		257361-1	RING 24	1				
015A		142706-5	BARREL COMPLETE	1			D1390	
015-1A		140U55-0	BARREL COMPLETE	1	S	D1390		
015-1B		140U55-0	BARREL COMPLETE	1				
016		265914-2	HEX. SOCKET HEAD BOLT M6X25	4				
017		213569-7	O RING 45	1				
018A		326421-1	STRIKER	1			D1390	
018-1A		327560-0	STRIKER	1	S	D1390		
018-1B		327560-0	STRIKER	1				
019		213787-7	O-RING 22	1				
020		213787-7	O-RING 22	1				
021		213380-7	O RING 24	1				
022		455158-4	PISTON	1				
023		455157-6	CONNECTING ROD	1				
024		268104-6	PIN 8	1				
025		266902-2	H.S. HEAD BOLT M6X35 WITH WR	4				
026		319292-3	CRANK HOUSING	1				
027		424633-1	SEAL RING A	1				
028		455160-7	CRANK CAP	1				
029		266948-8	HEX S. H. BOLT M4X20 WITH WR	3				
030		443153-6	FELT	1				
031		455161-5	CRANK CAP COVER	1				
032		266326-2	TAPPING SCREW 4X18	1				
033		455165-7	FIX GUIDE	2				
034		326420-3	CRANK SHAFT	1				
035		211498-8	BALL BEARING 6303LLU	1				
036		227792-8	HELICAL GEAR 35	1				
037		253024-7	FLAT WASHER 10	1				
038		424632-3	SEAL RING B	1				
039		455165-7	FIX GUIDE	1				
040		142703-1	GEAR HOUSING COMPLETE	1				
	C10	213231-4	OIL SEAL 15	1				
041		213459-4	O RING 32	1				
042		331596-3	SLEEVE 12	1				
043		210118-1	BALL BEARING 6201DDW	1				
044		253759-0	FLAT WASHER 12	1				
045		241863-7	FAN 70	1				
046		513921-2	ARMATURE ASS'Y 115V	1				
	D10		INC. 42-45,47,48					
047		681644-1	INSULATION WASHER	1				
048		210029-0	BALL BEARING 608ZZ	1				
049		266386-4	TAPPING SCREW 5X75	2				
050		455162-3	BAFFLE PLATE	1				
051		594661-1	FIELD ASS'Y 115V	1				
	C20	654501-6	CONNECTOR P-1.25	2			B6826	
	C21	654485-8	PARALLEL SPLICE	2	>	B6826		
	C21	654485-8	PARALLEL SPLICE	2				
	C10	654019-7	RING TERMINAL	2				
052		804Y03-4	CLEAR LABEL	1				
053		850Y58-7	M8600 NAME PLATE	1				
054A		142705-7	MOTOR HOUSING COMPLETE	1				
054B		143961-2	MOTOR HOUSING COMPLETE	1				

A:M8600G(L)
B:M8600B(L)Interchange
O : Yes
X : No
< : the new part can be substituted for the current.
> : the current part can be substituted for the new.
S : Interchangeable as a set.

