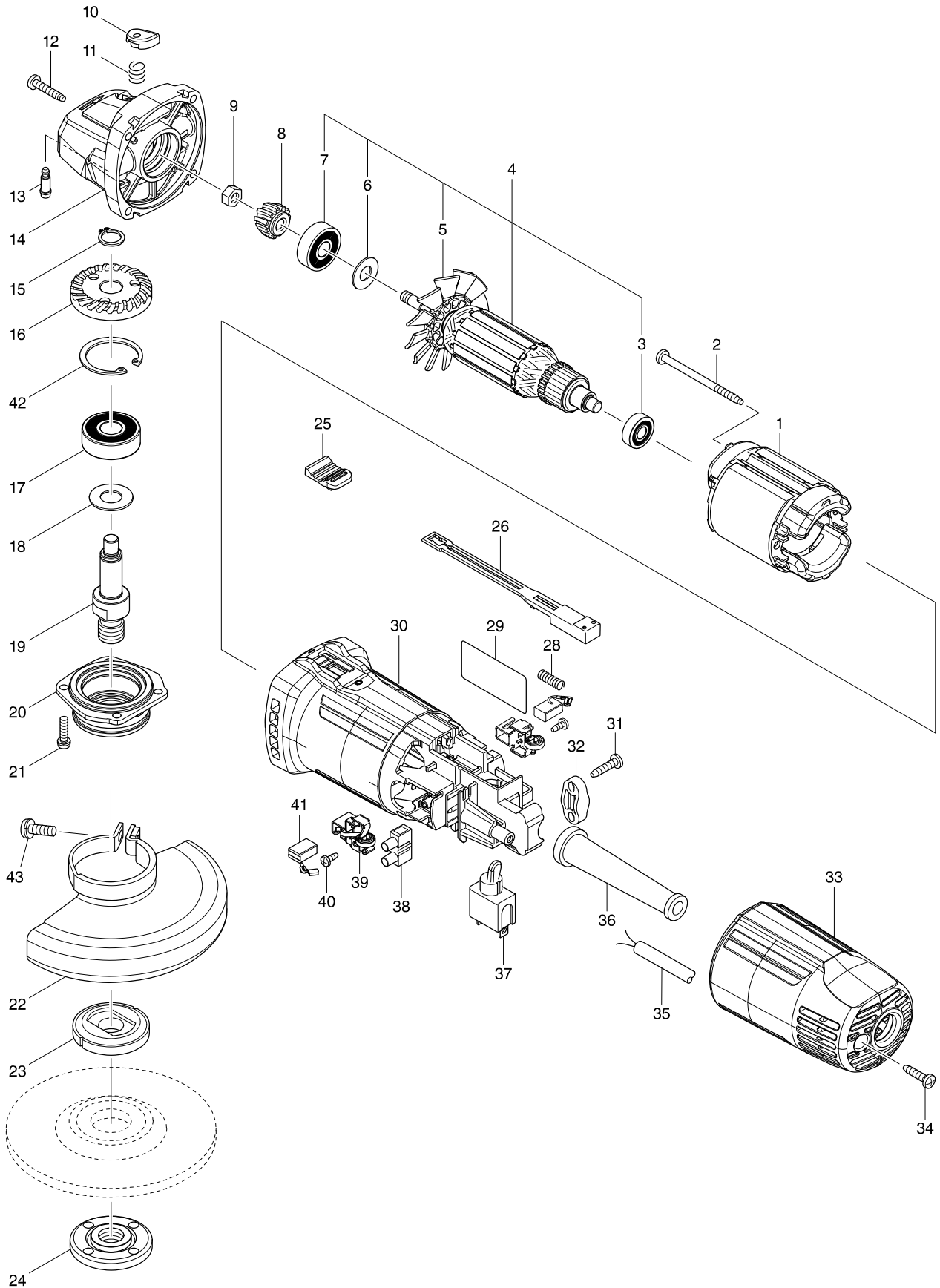


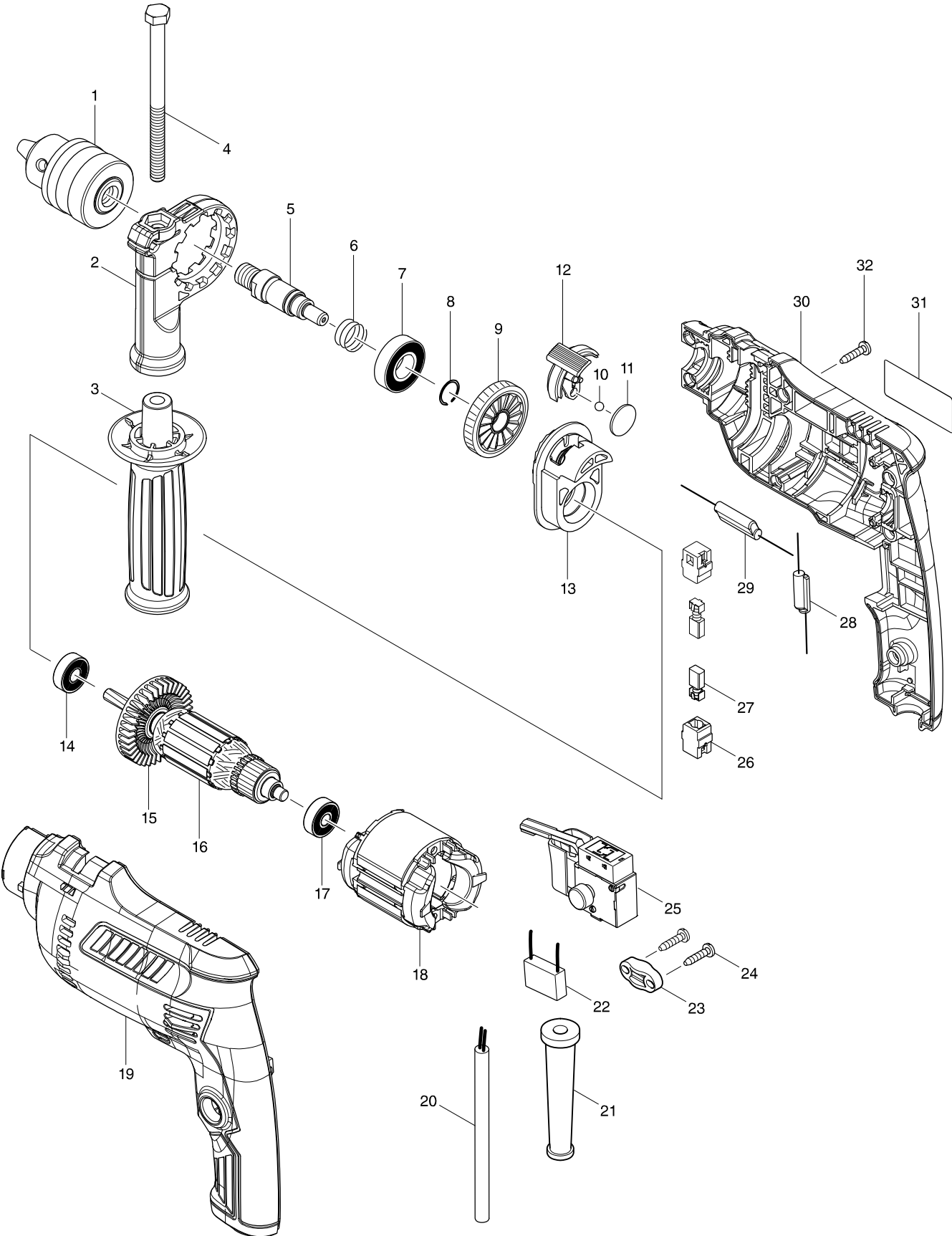
Modelo M0901 115MM ANGLE GRINDER



Modelo M0901 115MM ANGLE GRINDER

| Pieza | Código | Descripción | Info | CTD. | N/O | Opc. 1 | Opc. 2 | OBS. |
|-------|----------|--|------|------|-----|--------|--------|------|
| 001 | 633751-6 | CAMPO 115V P/ MGA90B | | 1 | | | | |
| 002 | 266334-3 | TORNILLO 4X60 P/HR2470 | | 2 | | | | |
| 003 | 210062-2 | BALERO P/MT950 | | 1 | | | | |
| 004 | 515826-2 | ARMADURA COMPLETA 115V P/ MGA90B | | 1 | | | | |
| D10 | | INC. 3,5-7 | | | | | | |
| 005 | 240126-8 | FAN 60 | | 1 | | | | |
| 006 | 267237-4 | PLANO DE ARANDELA P/MT410 | | 1 | | | | |
| 007 | 211381-9 | BALERO 629ZZ P/ MGA90B | | 1 | | | | |
| 008 | 227579-8 | ENGRANE PIÑON ESPIRAL 13 P/ MGA90B | | 1 | | | | |
| 009 | 252186-8 | TUERCA HEXAGONAL 6M P/9554NB | | 1 | | | | |
| 010 | 452502-6 | TAPA DEL PERNO DE BLOQUEO P/ MGA90B | | 1 | | | | |
| 011 | 233376-2 | RESORTE DE COMPRESION P/MT952 | | 1 | | | | |
| 012 | 266324-6 | TORNILLO 4X22 P/HR2470 | | 4 | | | | |
| 013 | 256486-8 | SOPORTE DEL PERNO P/9554NB | | 1 | | | | |
| 014 | 141025-6 | CARCASA DE ENGRANES COMPLETA | | 1 | | | | |
| 015 | 961052-5 | SEGURO DE RETEN S-12 P/9005B,950 | | 1 | | | | |
| 016 | 227578-0 | ENGRANE CORONA ESPIRAL 37 P/ MGA90B | | 1 | | | | |
| 017 | 211345-3 | BALERO 6201DDW P/ MGA90B | | 1 | | | | |
| 018 | 267238-2 | PLANO DE ARANDELA P/MT950 | | 1 | | | | |
| 019 | 326456-2 | SPINDLE A | | 1 | | | | |
| 020 | 319090-5 | CAJA DE BALEROS P/ MGA90B | | 1 | | | | |
| 021 | 265100-5 | TORNILLO M4X16 P/MT950 | | 4 | | | | |
| 022 | 123098-1 | WHEEL COVER 115AK ASS'Y | | 1 | | | | |
| C10 | 213009-5 | EMPAQUE "O" 4 P/2012NB | | 1 | | | | |
| C20 | 265180-1 | TORNILLO M5X16 P/GA4530 | | 1 | | | | |
| 023 | 224399-1 | INNER FLANGE 45 | | 1 | | | | |
| 024 | 224568-4 | LOCK NUT 5/8-45 | | 1 | | | | |
| 025 | 452503-4 | BOTON DEL INTERRUPTOR P/ MGA90B | | 1 | | | | |
| 026 | 452501-8 | PALANCA DEL INTERRUPTOR P/ MGA90B | | 1 | | | | |
| 028 | 233360-7 | RESORTE DE COMPRESION P/MT950 | | 1 | | | | |
| 029 | 850Y79-9 | M0901 NAME PLATE | | 1 | | | | |
| 030 | 455878-0 | MOTOR HOUSING | | 1 | | | | |
| 031 | 266326-2 | TORNILLO 4X18 P/MT240,MT580 | | 2 | | | | |
| 032 | 687123-7 | BRIDA DE CABLE,MT580 | | 1 | | | | |
| 033 | 452500-0 | CUBIERTA POSTERIOR P/ MGA90B | | 1 | | | | |
| 034 | 266326-2 | TORNILLO 4X18 P/MT240,MT580 | | 1 | | | | |
| 035 | 664881-2 | CABLE DE ALIMENTACIÉN # 18-2-2.0 F | | 1 | | | | |
| 036 | 682569-2 | CUBRE CABLE P/MT811 | | 1 | | | | |
| 037 | 651434-6 | INTERRUPTOR TN15-2 P/ MGA90B | | 1 | | | | |
| 039 | 643871-8 | PORTA CARBON P/ MGA90B | | 2 | | | | |
| 040 | 266492-5 | TORNILLO 3 x 5 P/GA4534 | | 2 | | | | |
| 041 | 195025-8 | JUEGO DE CARBONES CB-458 P/GA4530 | | 1 | | | | |
| 042 | 257978-0 | ANILLO DE RETENCIÓN (INT) R-32 P/ MGA90B | | 1 | | | | |
| A01 | 153489-2 | ASA COMPLETA 36 P/9557NB | | 1 | | | | |
| A02 | 782424-9 | LOCK NUT WRENCH 28 | | 1 | | | | |
| | | | | | | | | |
| | | | | | | | | |
| | | | | | | | | |

Modelo M0801 16MM HAMMER DRILL



Modelo M0801 16MM HAMMER DRILL

| Pieza | Código | Descripción | Info | CTD. | N/O | Opc. 1 | Opc. 2 | OBS. |
|-------|----------|------------------------------|------|------|-----|--------|--------|------|
| 001 | 766023-5 | DRILL CHUCK S13 | | 1 | | | | |
| 002 | 454126-4 | GRIP BASE | | 1 | | | | |
| 003 | 142083-5 | GRIP 36 COMPLETE | | 1 | | | | |
| 004 | 265495-6 | HEX. BOLT M8X110 | | 1 | | | | |
| 005 | 326278-0 | SPINDLE | | 1 | | | | |
| 006 | 234342-2 | COMPRESSION SPRING 16 | | 1 | | | | |
| 007 | 211484-9 | BALL BEARING 6002LLB | | 1 | | | | |
| 008 | 233925-5 | RING SPRING 13 | | 1 | | | | |
| 009 | 227764-3 | HELICAL GEAR 39 | | 1 | | | | |
| 010 | 216038-7 | STEEL BALL 5.0 | | 1 | | | | |
| 011 | 346676-2 | PLATE 19 | | 1 | | | | |
| 012 | 454375-3 | CHANGE LEVER | | 1 | | | | |
| 013 | 142074-6 | CAM HOLDER COMPLETE | | 1 | | | | |
| C10 | 141994-1 | CUM COMPLETE | | 1 | | | | |
| 014 | 210044-4 | BALL BEARING 608DDW | | 1 | | | | |
| 015 | 240127-6 | FAN 52 | | 1 | | | | |
| 016 | 515891-1 | ARMATURE ASS'Y 115V | | 1 | | | | |
| D10 | | INC. 14,15,17 | | | | | | |
| 017 | 210045-2 | BALL BEARING 627DDW | | 1 | | | | |
| 018 | 633831-8 | FIELD 115V | | 1 | | | | |
| 019 | 183B61-8 | HOUSING SET | | 1 | | | | |
| C10 | 263002-9 | RUBBER PIN 4 | | 2 | | | | |
| D10 | | INC. 30 | | | | | | |
| 020 | 664881-2 | POWER SUPPLY CORD #18-2-2.0 | | 1 | | | | |
| 021 | 682569-2 | CORD GUARD 8-85 | | 1 | | | | |
| 023 | 687123-7 | STRAIN RELIEF | | 1 | | | | |
| 024 | 266841-6 | TAPPING SCREW 4X18 | | 2 | | | | |
| 025 | 650713-9 | SWITCH FA2-6/1BEK | | 1 | | | | |
| 026 | 643566-3 | BRUSH HOLDER 5X8 | | 2 | | | | |
| 027 | 194971-2 | CARBON BRUSH CB-75 | | 1 | | | | |
| 030 | 183B61-8 | HOUSING SET | | 1 | | | | |
| C10 | 263002-9 | RUBBER PIN 4 | | 2 | | | | |
| D10 | | INC. 19 | | | | | | |
| 031 | 851A94-2 | M0801 NAME PLATE | | 1 | | | | |
| 032 | 266841-6 | TAPPING SCREW 4X18 | | 7 | | | | |
| A01A | 418163-2 | KEY HOLDER 10 | | 1 | | | | |
| A01B | 418163-2 | KEY HOLDER 10 | | 1 | | | | |
| A01C | 415486-9 | DEPTH GAUGE | | 1 | | | | |
| A02A | 763453-1 | CHUCK KEY S13 | | 1 | | | | |
| A02B | 763453-1 | CHUCK KEY S13 | | 1 | | | | |
| A02C | 418163-2 | KEY HOLDER 10 | | 1 | | | | |
| A03B | 821665-3 | PLASTIC CARRYING CASE | | 1 | | | | |
| C10 | 452432-1 | SLIDE LATCH | | 2 | | | | |
| C20 | 806G57-9 | MAKITA MT LOGO LABEL | | 1 | | | | |
| A03C | 763453-1 | CHUCK KEY S13 | | 1 | | | | |
| A04B | 806V86-2 | M0801KG PLASTIC CASE LABEL | | 2 | | | | |
| A04C | 197194-1 | TOOL BOX | | 1 | | | | |
| A05C | 806V88-8 | M0801KSPG PLASTIC CASE LABEL | | 1 | | | | |