



MX	MEXICO
----	--------

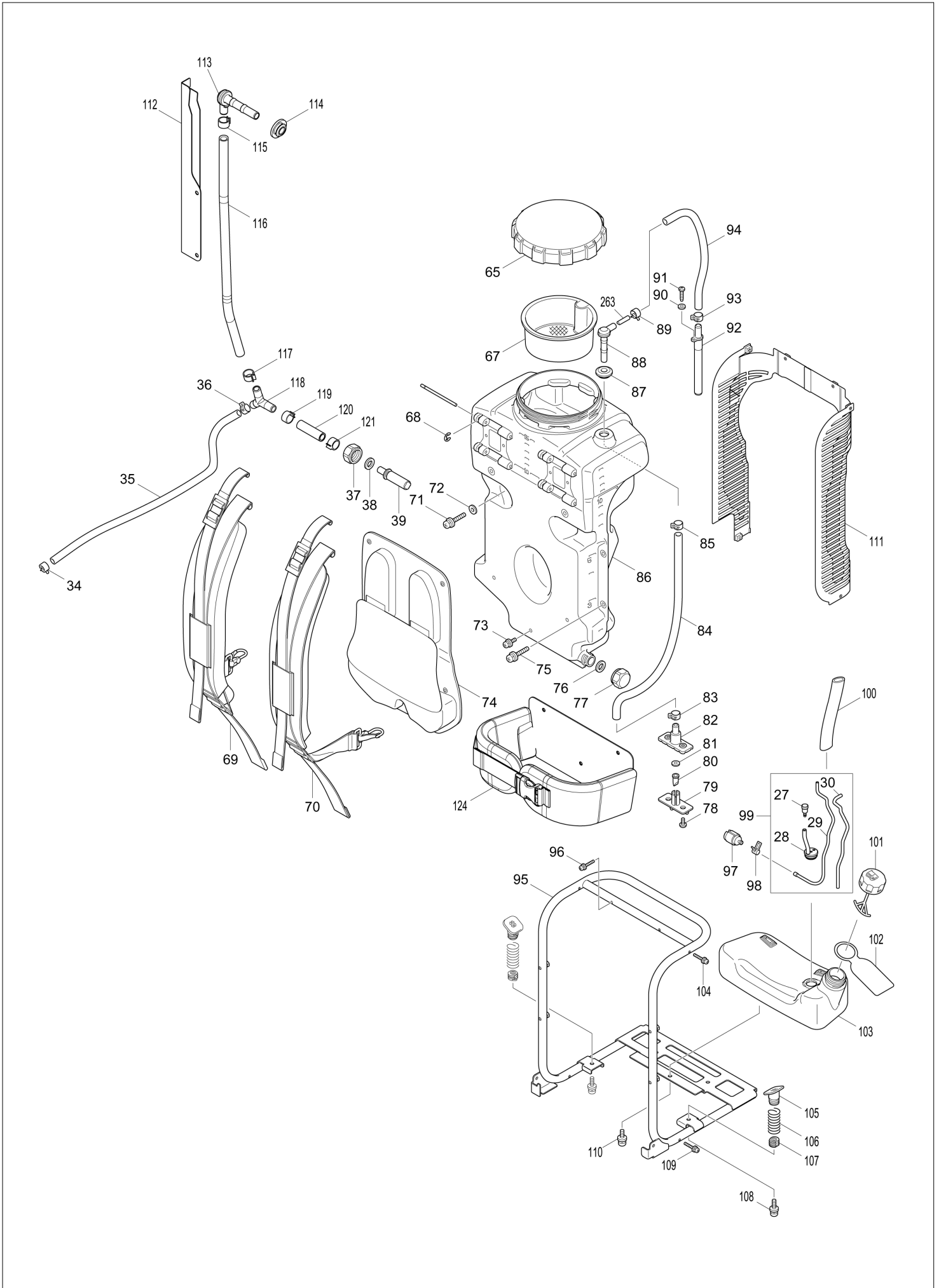
Diagram / Parts List

PM7651H

PETROL MIST BLOWER

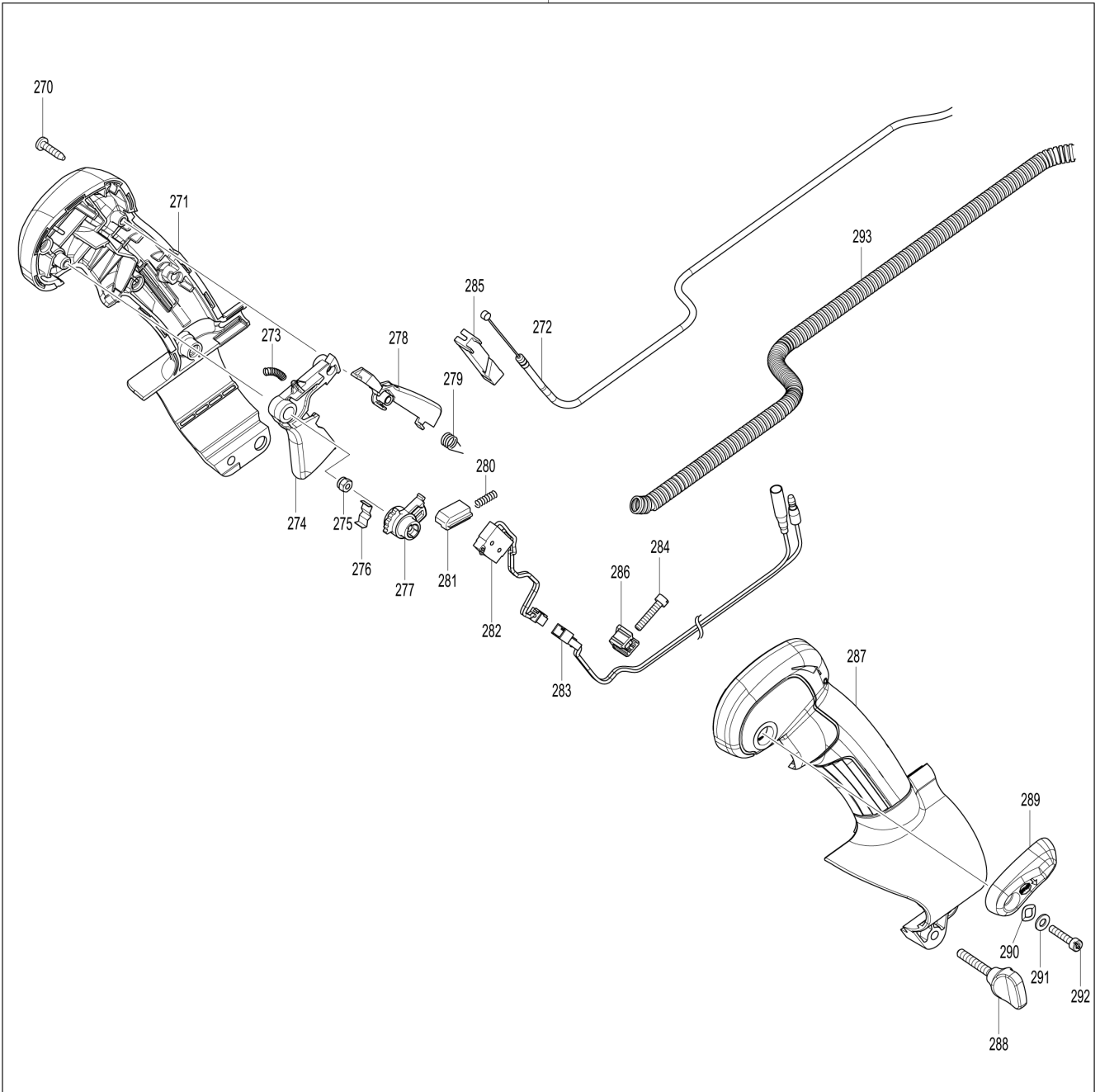


(MX) PM7651H / PETROL MIST BLOWER

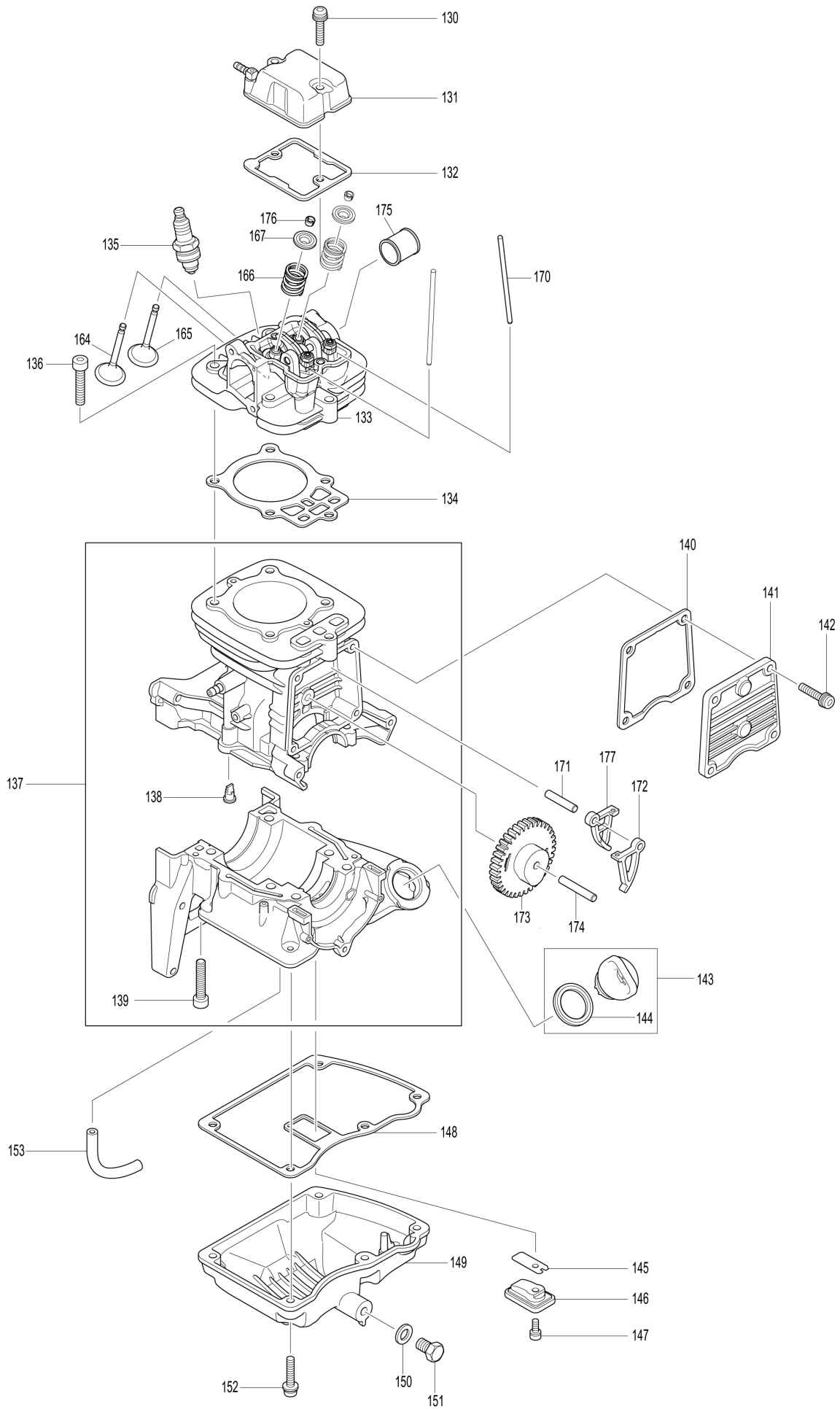


(MX) PM7651H / PETROL MIST BLOWER

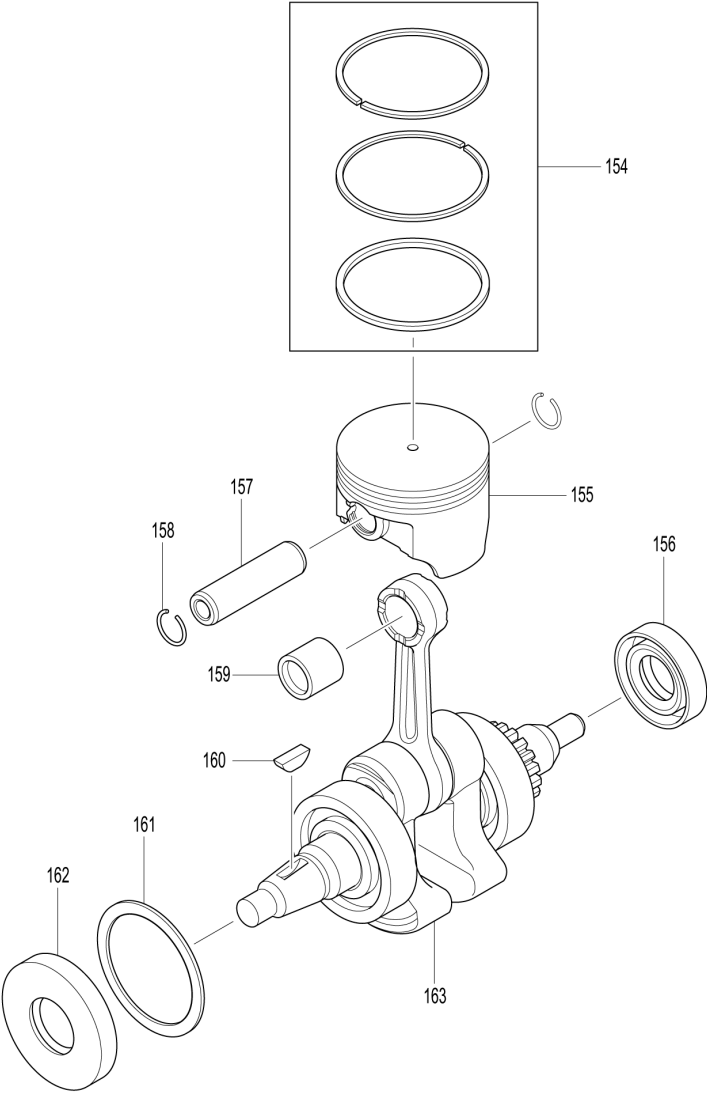
20



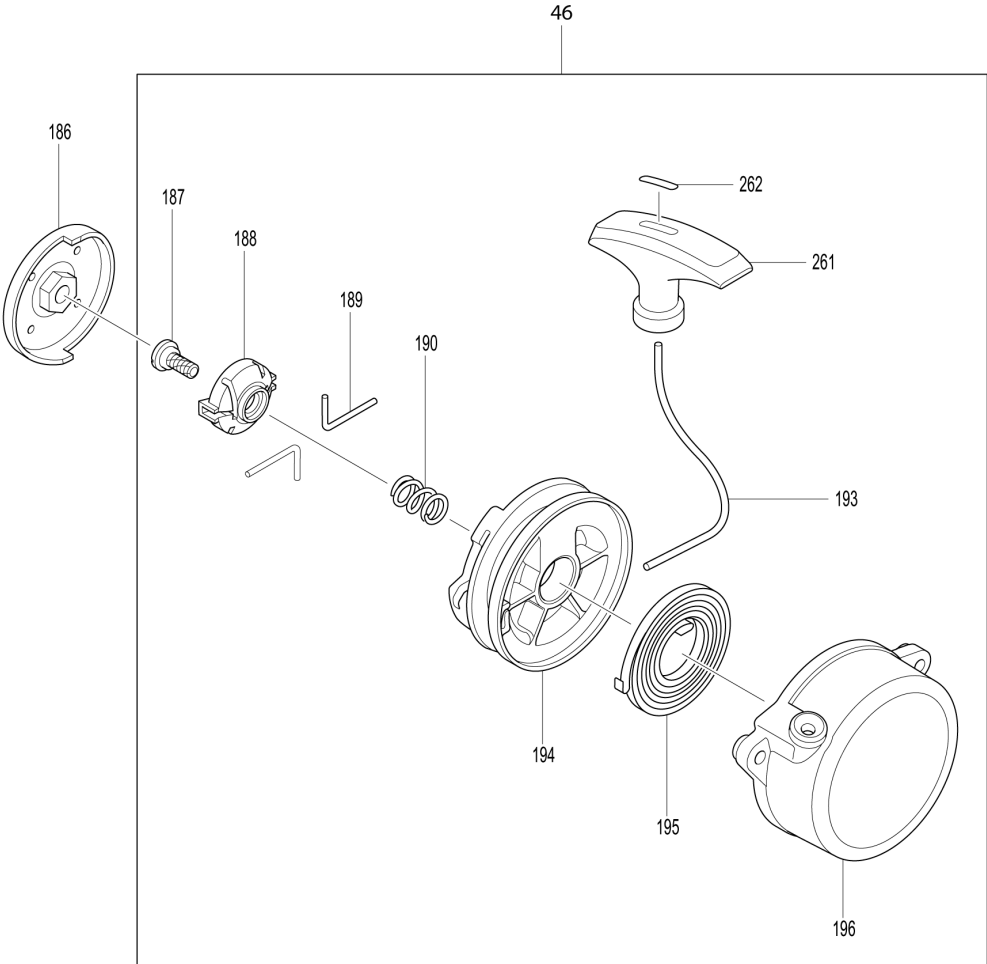
(MX) PM7651H / PETROL MIST BLOWER



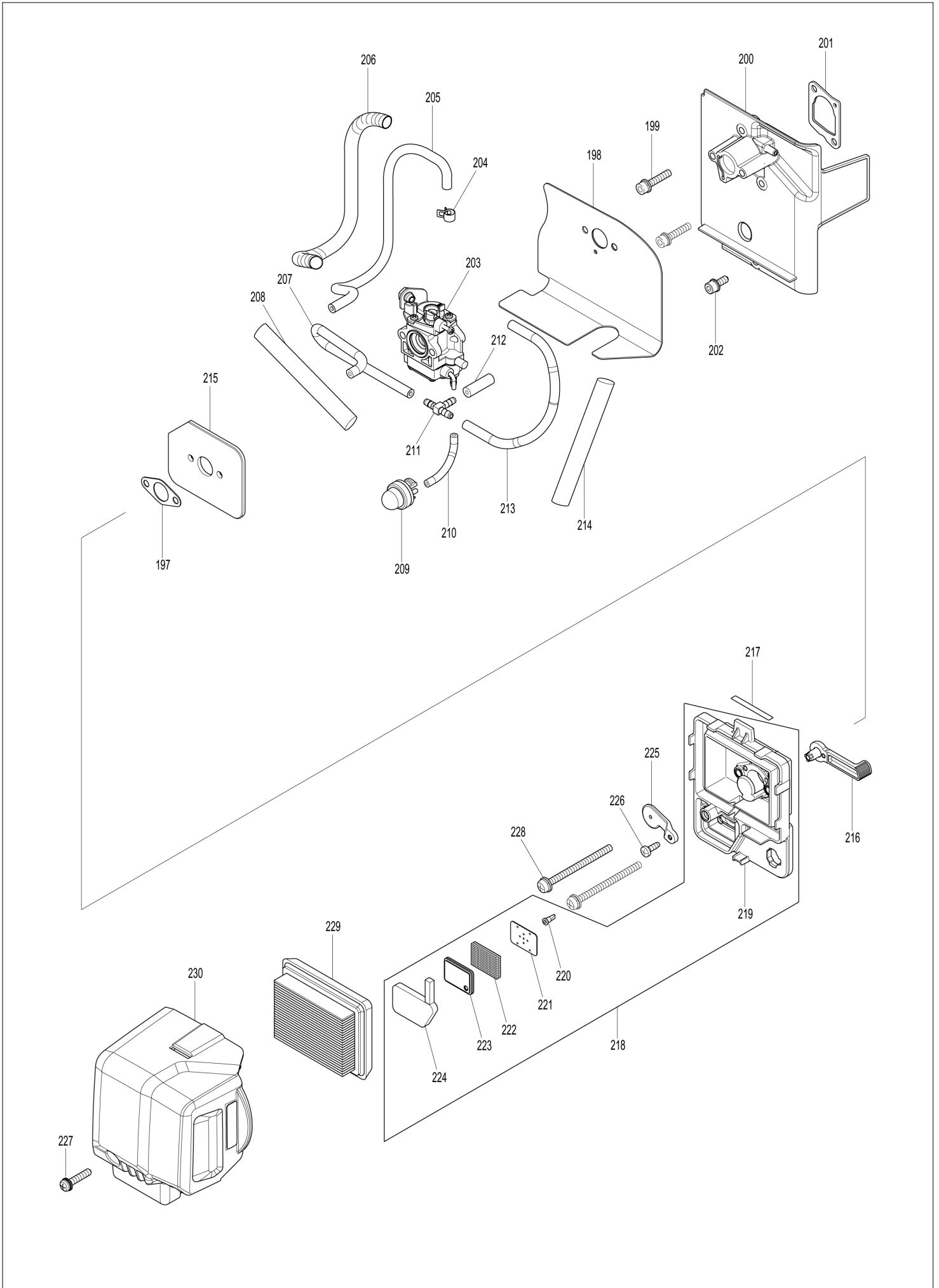
(MX) PM7651H / PETROL MIST BLOWER



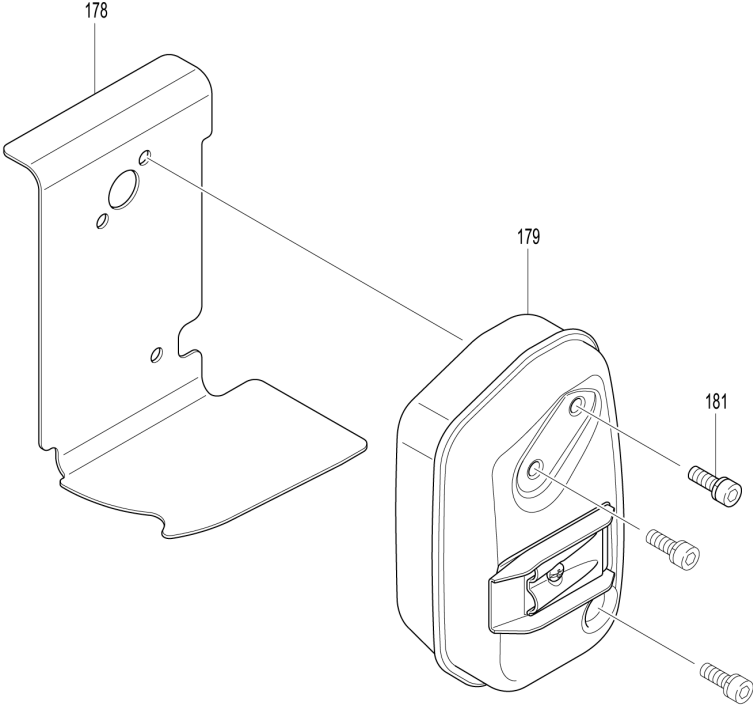
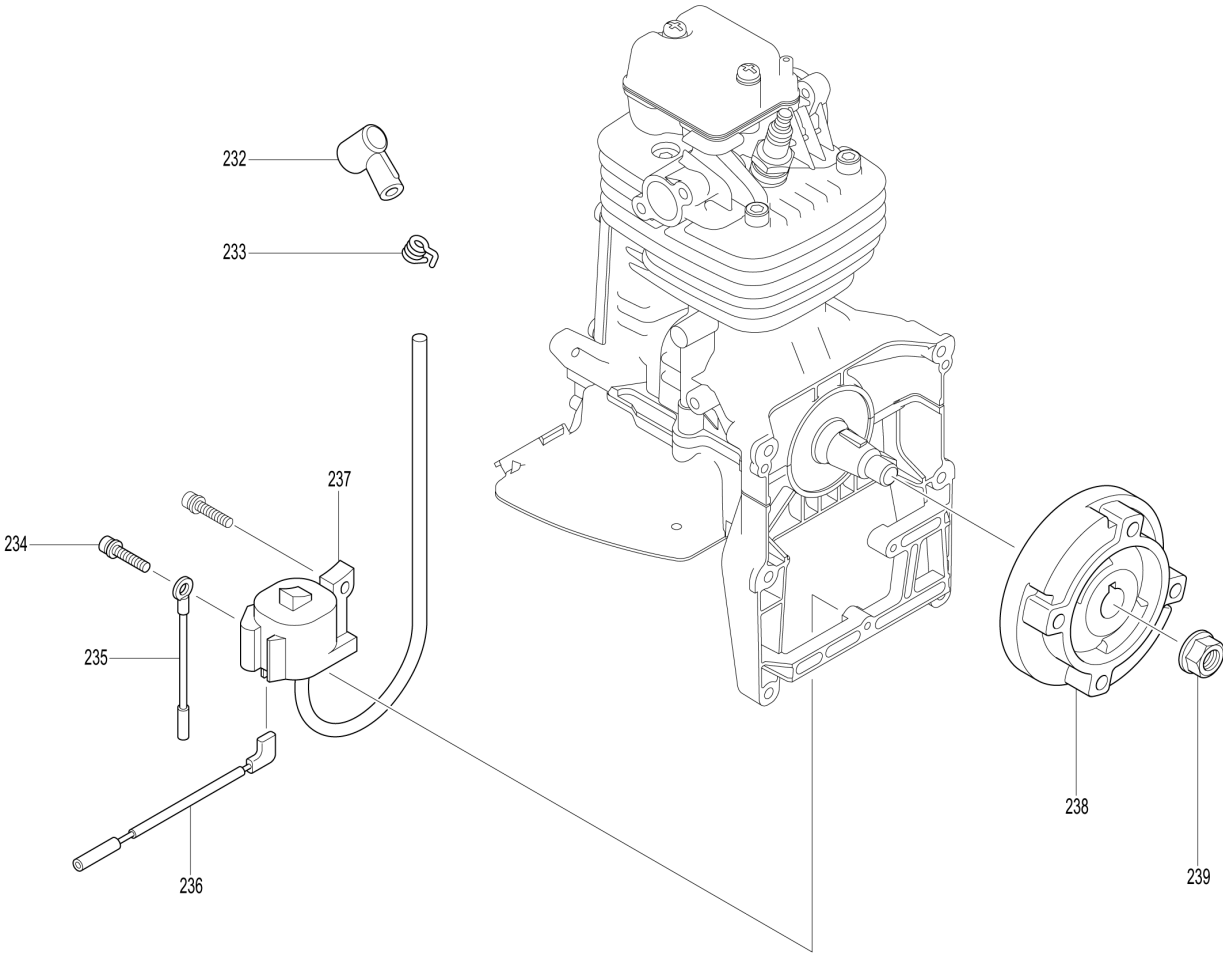
(MX) PM7651H / PETROL MIST BLOWER



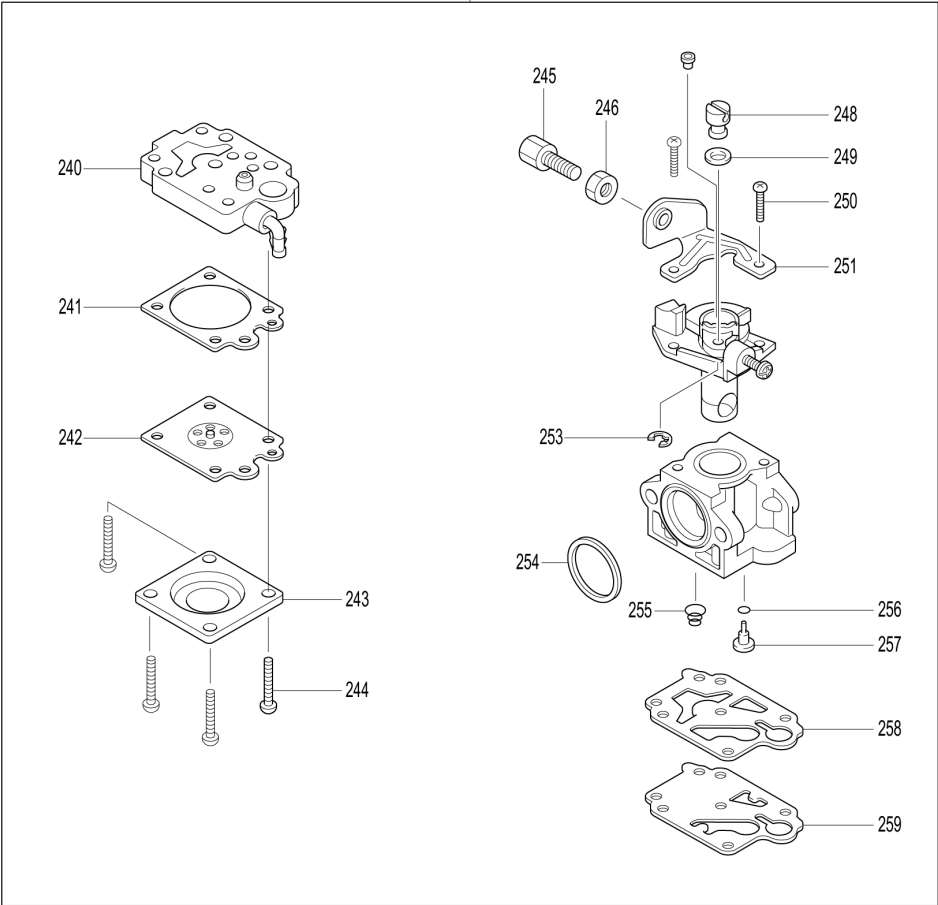
(MX) PM7651H / PETROL MIST BLOWER



(MX) PM7651H / PETROL MIST BLOWER



203



MX**MEXICO****PM7651H / PETROL MIST BLOWER**

Item	Sub	Parts No.	Parts Description	Qty	I/C	E/C No.	Close No.	Remark
001		282023-2	HOSE CLAMP 14	1				
002		412110-5	TUBE 10-750	1				
003		282023-2	HOSE CLAMP 14	1				
004		453505-3	NOZZLE CAP	1				
005		213686-3	O-RING 12	1				
006		268288-0	PIN 5.5	1				
007		234244-2	COMPRESSION SPRING 3	1				
008		266007-8	TAPPING SCREW BIND PT 3X10	1				
009		326198-8	NOZZLE 4.5	1				
010		453599-8	SLEEVE 25	1				
011		213437-4	O RING 28	1				
012		453986-1	TOP ADAPTER	1				
013		266045-0	TAPPING SCREW 4X20	1				
014		911228-4	PAN HEAD SCREW M5X18	1				
015		141921-8	NOZZLE ADAPTER COMPLETE	1				
016		213645-7	O RING 93	1				
017		412116-3	ELBOW	1				
018		453714-4	WIRE BAND	1				
019		168746-5	SWIVEL PIPE COMPLETE	1				
020		126579-4	CONTROL LEVER ASSEMBLY	1				
	D10		INC. 270-293					
021-2		123981-2	COCK ASSEMBLY	1				
	D10		INC. 22-26					
022		266326-2	TAPPING SCREW 4X18	1				
023-2		457675-0	COCK LEVER	1				
024-1		457674-2	COCK	1				
025		213647-3	O-RING 9	1				
026		455656-8	COCK BODY	1				
027		168396-6	BREATHER	1				
028		424505-0	FUEL GROMMET	1				
029		412120-2	FUEL TUBE 3-370	1				
030		412114-7	FUEL TUBE 3-370	1				
034		282023-2	HOSE CLAMP 14	1				
035		412109-0	TUBE 10-500	1				
036		282023-2	HOSE CLAMP 14	1				
037		453616-4	CAP HOSE	1				
038		424760-4	BLIND PACKING	1				
039		456172-3	JOINT	1				
040		266420-0	TAPPING SCREW 5X20	4				
041		450964-2	PLUG COVER	1				
042		424504-2	OIL GUARD	1				
043		850A39-7	SERIAL NO. LABEL	1				
044		8024R8-8	PM7651H MODEL NO. LABEL	1				
045		911233-1	PAN HEAD SCREW M5X20	3				
046		126165-1	RECOIL	1				
	D10		INC. 187-190,193-196,261,262					
047		141521-4	ENGINE COVER COMPLETE	1				
	C10	898343-0	CAUTION LABEL	1				
049		931202-6	HEX. NUT M5	2				
050		453558-2	VOLUTE CASE 2	1				
051		318891-8	BASE R	1				
052		922353-6	HEX.SOCKET HEAD BOLT M6X30	3				
053		240138-1	IMPELLER	1				
054		318890-0	BASE L	1				
055		922353-6	HEX.SOCKET HEAD BOLT M6X30	3				
056		266828-8	H.S.H.BOLT M6X40 WITH WR	4				
057		454669-6	VOLUTE CASE 1	1				
058		266420-0	TAPPING SCREW 5X20	9				
059		911288-6	PAN HEAD SCREW M5X65	2				
060		453561-3	TANK HOLDER	2				
061		234247-6	COMPRESSION SPRING 20	2				
062		453561-3	TANK HOLDER	2				
063		266420-0	TAPPING SCREW 5X20	3				
064		454670-1	FAN GUARD	1				
065		126581-7	TANK CAP ASSEMBLY	1				

Interchange

O : Yes

X : No

< : the new part can be substituted for the current.

> : the current part can be substituted for the new.

S : Interchangeable as a set.

MX**MEXICO****PM7651H / PETROL MIST BLOWER**

Item	Sub	Parts No.	Parts Description	Qty	I/C	E/C No.	Close No.	Remark
067		455658-4	TANK STRAINER	1				
068		961011-9	STOP RING E-4	4				
069-1		161510-3	BAND R	1				
070-1		161509-8	BAND L	1				
071		911353-1	PAN HEAD SCREW M6X30	2				
072		253804-1	FLAT WASHER 6	2				
073		911213-7	PAN HEAD SCREW M5X12	5				
074-1		161566-6	CUSHION	1				
075		911353-1	PAN HEAD SCREW M6X30	4				
076		424760-4	BLIND PACKING	1				
077		453615-6	CAP	1				
078		266767-2	PAN HEAD SCREW M5X12	2				
079		453496-8	MIXING BODY LOWER	1				
080		424492-3	CHECK VALVE	1				
081		267462-7	FLAT WASHER 10	1				
082		453495-0	MIXING BODY UPPER	1				
083		282023-2	HOSE CLAMP 14	1				
084		412109-0	TUBE 10-500	1				
085		282023-2	HOSE CLAMP 14	1				
086-1		144418-6	TANK COMPLETE M	1				
	C10	812D39-3	CAUTION LABEL	1				
087		424503-4	GROMMET	1				
088		454683-2	JOINT 1	1				
089		282023-2	HOSE CLAMP 14	1				
090		253874-0	FLAT WASHER 4	1				
091		265995-6	TAPPING SCREW 4X18	1				
092		453498-4	PRESSURE PIPE	1				
093		282023-2	HOSE CLAMP 14	1				
094		412108-2	TUBE 10-300	1				
095		165686-8	FRAME COMPLETE	1				
096		911148-2	PAN HEAD SCREW M4X25	2				
097		163532-9	FILTER	1				
098		345920-4	HOSE CLAMP	1				
099		126138-4	FUEL TUBE ASSEMBLY	1				
	D10		INC. 27-30					
100		412119-7	TUBE GUARD 20-160	1				
101-1		127108-6	FUEL TANK CAP ASSEMBLY	1				
102		810455-9	CAUTION PLATE	1				
103		453618-0	FUEL TANK	1				
104		911148-2	PAN HEAD SCREW M4X25	2				
105		453499-2	FRAME HOLDER	2				
106		234246-8	COMPRESSION SPRING 17	2				
107		453560-5	LOWER FRAME HOLDER	2				
108		911333-7	PAN HEAD SCREW M6X20	2				
109		911148-2	PAN HEAD SCREW M4X25	2				
110		911313-3	PAN HEAD SCREW M6X12 WITH WR	3				
111		454684-0	GUARD	1				
112		346745-9	TUBE COVER	1				
113		454683-2	JOINT 1	1				
114		424503-4	GROMMET	1				
115		282023-2	HOSE CLAMP 14	1				
116		412143-0	TUBE 10-420	1				
117		282023-2	HOSE CLAMP 14	1				
118		454751-1	JOINT	1				
119		282023-2	HOSE CLAMP 14	1				
120		412142-2	TUBE 10-50	1				
121		282023-2	HOSE CLAMP 14	1				
122		453506-1	DIFFUSION COVER	1				
123		819432-8	CAUTION TAG	1				
124		197055-5	HIP BELT SET	1				
127		213686-3	O-RING 12	1				
130-1		922253-0	H.S.H.BOLT M5X30 WITH WR	2				
131		141771-1	ROCKER COVER COMPLETE	1				
132		5971500900	ROCKER COVER GASKET	1				
133-1		126943-9	CYLINDER HEAD ASSEMBLY	1				

Interchange
O : Yes
X : No
< : the new part can be substituted for the current.
> : the current part can be substituted for the new.
S : Interchangeable as a set.

MX**MEXICO****PM7651H / PETROL MIST BLOWER**

Item	Sub	Parts No.	Parts Description	Qty	I/C	E/C No.	Close No.	Remark
134		442167-2	CYLINDER HEAD GASKET	1				
135		168401-9	SPARK PLUG	1				
136		922357-8	HEX. SOCKET HEAD BOLT M6X35	5				
137-2		123580-0	ENGINE BLOCK ASSY(FOR SERVICE)	1				
	C11	135739-7	CYLINDER BLOCK ASS'Y	1				
	D10		INC. 130-134,136,140-159					
	D20		INC. 161-167,170,172-174					
	D30		INC. 176,177					
138		424201-0	CHECK VALVE	2				
139		922352-8	HEX. SOCKET HEAD BOLT M6X30	6				
140		442168-0	CAM GEAR GASKET	1				
141		318725-5	CAM GEAR COVER	1				
142-1		922223-9	H.S.H.BOLT M5X16 WITH WR	4				
143		6676005000	OIL CAP ASSY	1				
	D10		INC. 144					
144		0213229980	GASKET	1				
145		346083-9	LEAD VALVE	1				
146		5931501300	RETAINER PLATE	1				
147-1		922117-8	HEX. SOCKET HEAD BOLT M4X12	1				
148		5976500100	OIL CASE GASKET	1				
149		319008-6	OIL CASE	1				
150		346452-4	GASKET	1				
151-1		921412-3	HEX. BOLT M8X12	1				
152-1		922243-3	HEX. SOCKET HEAD BOLT M5X25	5				
153-1		422420-2	TUBE3-80	1				
154-1		197040-8	PISTON RING SET	1				
155		318726-3	PISTON	1				
156-1		213091-4	OIL SEAL 17	1				
157-2		326039-8	PISTON PIN	1				
158		233995-4	RING SPRING 12	2				
159		0610129940	NEEDLE ROLLER BEARING	1				
160		0323049950	WOODRUFF KEY	1				
161		267448-1	FLAT WASHER 41	1				
162-1		213090-6	OIL SEAL(L)	1				
163		126576-0	CRANK SHAFT ASSEMBLY	1				
164		331964-0	INTAKE VALVE	1				
165		331965-8	EXHAUST VALVE	1				
166		234212-5	COMPRESSION SPRING 11	2				
167		331966-6	RETAINER	2				
170		256526-2	PUSH ROD	2				
172-1		310715-4	CAM LIFTER L	1				
173-1		126622-9	CAMGEAR ASSEMBLY	1				
174		256200-2	PIN 5	1				
175		331937-3	EXHAUST PORT SPACER	1				
176		331967-4	COTTER	4				
177		313267-4	CAM LIFTER R	1				
178-1		346682-7	MUFFLER GASKET	1				
179-1		168807-1	EXHAUST MUFFLER	1				
181		266771-1	SOCKET HEAD BOLT M6X18	3				
186-1		161599-1	PULLEY	1				
187		266585-8	TAPPING SCREW 5X12	1				
188		424516-5	COLLAR	1				
189		326200-7	SWING ARM	2				
190		234257-3	FRICTION SPRING	1				
193		444043-6	STARTER ROPE	1				
194		441075-4	REEL	1				
195-1		SG00000014	SPIRAL SPRING	1				
196		141649-8	STARTER CASE COMPLETE	1				
197		5233504200	CARBURETOR GASKET	1				
198		423438-6	CARBURETOR GASKET	1				
199		266749-4	HEX. S.H.B. M5X25 WITH WR	2				
200		141670-7	INSULATOR COMPL	1				
201		162333-2	INSULATOR GASKET	1				
202		0119059490	SOCKET HEAD BOLT M5X14 (W,SW)	1				
203		168725-3	CARBURETOR	1				

Interchange
O : Yes
X : No
< : the new part can be substituted for the current.
> : the current part can be substituted for the new.
S : Interchangeable as a set.

MX

MEXICO

PM7651H / PETROL MIST BLOWER

Item	Sub	Parts No.	Parts Description	Qty	I/C	E/C No.	Close No.	Remark
	D10		INC. 240-246,248-251,253-259					
204		282027-4	HOSE CLAMP 6	1				
205		412134-1	TUBE 3-210	1				
206		454190-5	CORRUGATE TUBE 160	1				
207		412121-0	TUBE 3-130	1				
208		412123-6	TUBE 10-110	1				
209		168398-2	PRIMER PUMP	1				
210		412112-1	TUBE 3-60	1				
211		452952-5	HOSE JOINT	1				
212		422096-5	TUBE 3-25	1				
213		412122-8	TUBE 3-240	1				
214		412124-4	TUBE 10-220	1				
215		346582-1	PLATE 31	1				
216-1		458165-6	CHOKE LEVER	1				
217		814P65-0	SERIAL NO. LABEL	1				
218		126149-9	CLEANER PLATE ASSEMBLY	1				
	D10		INC. 219-224					
219		453501-1	AIR CLEANER PLATE	1				
220		424316-3	CHECK VALVE	1				
221		162325-1	SEPARATOR GASKET	1				
222		352013-0	SEPARATOR NET	1				
223		162322-7	SEPARATOR STOPPER	1				
224		162324-3	SEPARATOR PLATE	1				
225-1		458166-4	CHOKE PLATE	1				
226		266427-6	TAPPING SCREW 4X12	1				
227		911243-8	PAN HEAD SCREW M5X25	1				
228		911293-3	PAN HEAD SCREW M5X70	2				
229		442181-8	AIR CLEANER ELEMENT	1			D6115	
229-1		442181-8	AIR CLEANER ELEMENT	1	O	D6115		
230		141525-6	AIR CLEANER COVER COMPLETE	1				
	C10							
		898350-3	INDICATION LABEL	1				
232		424105-6	PLUG CAP	1				
233		324891-8	PLUG CAP SPRING	1				
234-1		922138-0	H.S.H.BOLT M4X20 WITH WR	2				
235		638784-6	WIRE	1				
236		638710-5	LEAD WIRE	1				
237-1		161837-1	IGNITION COIL	1				
238-1		319170-7	FLYWHEEL	1				
239		264054-3	FLANGE NUT M10	1				
240		141672-3	PUMP BODY ASSEMBLY	1				
	C11							
		WJ00014070	INLET SCREEN	1				
241		442183-4	METERING DIAPHRAGM GASKET	1				
242		168620-7	METERING DIAPHRAGM	1				
243		WJ00021158	METERING DIAPHRAGM COVER	1				
244		WJ00096325	SCREW	4				
245		266795-7	ADJUST SCREW	1				
246		264065-8	CABLE ADJUST NUT M6	1				
248		325922-6	SWIVEL	1				
249		413140-9	WASHER	1				
250		266704-6	PAN HEAD SCREW M3X10	2				
251		346491-4	BRACKET CABLE	1				
253		257964-1	STOP RING E-3	1				
254		424444-4	PACKING RING	1				
255		234183-6	CONICAL COMPRESSION SPRING 5-9	1				
256		213538-8	O RING 2	1				
257		326243-9	JET	1				
258		442155-9	PUMP GASKET	1				
259-1		WJ00009599	PUMP DIAPHRAGM	1				
261		424361-8	STARTER KNOB	1				
262		424360-0	ROPE STOPPER	1				
263		423467-9	SPONGE 12	1				
270		266326-2	TAPPING SCREW 4X18	5				
271		183A32-9	LEVER CASE SET	1				
	D10		INC. 287					
272		168843-7	CONTROL CABLE	1				

Interchange

O : Yes

X : No

< : the new part can be substituted for the current.

> : the current part can be substituted for the new.

S : Interchangeable as a set.

