

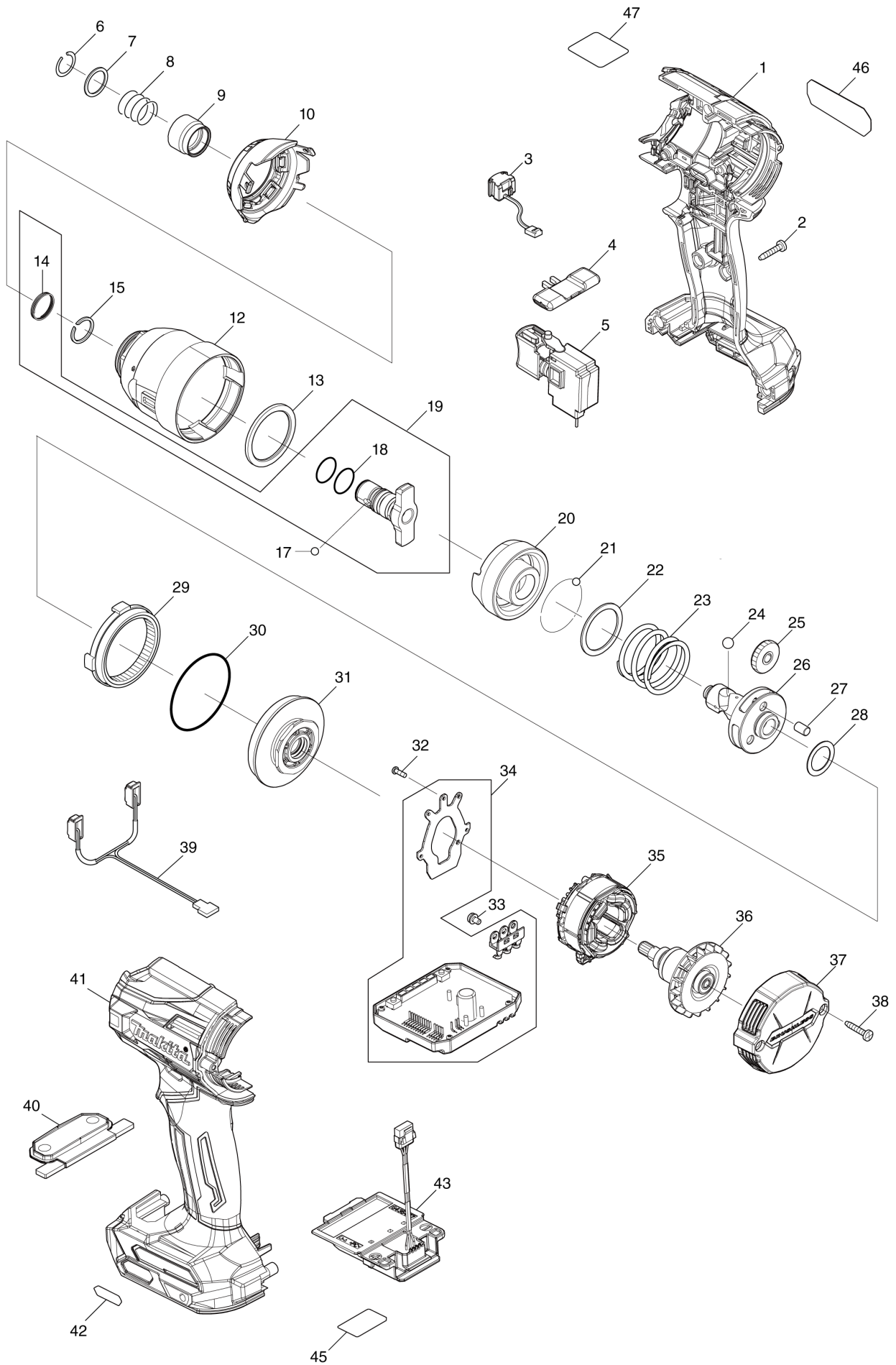


Diagram / Parts List

TD001G

CORDLESS IMPACT DRIVER

(MX) TD001G / CORDLESS IMPACT DRIVER



MX

MEXICO

TD001G / CORDLESS IMPACT DRIVER

MX

Item	Sub	Parts No.	Parts Description	Qty	I/C	E/C No.	Close No.	Remark
001		183P56-5	HOUSING SET	1				
	C10	263005-3	RUBBER PIN 6	2				
	C20	252126-6	HEX. LOCK NUT M4-7	2				
	C30	422616-5	SPONGE SHEET	1				
	D10		INC. 41					
002		266130-9	TAPPING SCREW BIND PT 3X16	8				
003		632L84-8	SWITCH UNIT	1				
004		455053-8	F/R CHANGE LEVER	1				
005		651442-7	SWITCH C3JR-1A-1	1				
006		231952-6	RING SPRING 12	1				
007		267101-9	FLAT WASHER 14	1				
008		232592-3	COMPRESSION SPRING 14	1				
009		327530-9	BIT SLEEVE	1				
010		136171-8	HAMMER CASE COVER ASSY	1				
	C10	422269-0	BUMPER	1				
012		140R47-1	HAMMER CASE COMPLETE	1				
	C10	210177-5	BALL BEARING 68/14LLU	2				
	C20	267063-1	FLAT WASHER 18	1				
	C30	962113-4	RETAINING RING R-24	1				
013		261160-5	NYLON WASHER 30	1				
014		232593-1	SPRING 12	1				
015		259075-8	RETAINING RING(EXT) WR-14	1				
017		216001-0	STEEL BALL 3.5	2				
018		213118-0	O RING 12	2				
019		136203-1	ANVIL M ASS'Y	1				
	D10		INC. 14,18					
020		327525-2	HAMMER	1				
021		216001-0	STEEL BALL 3.5	25				
022		267342-7	FLAT WASHER 26	1				
023		232591-5	COMPRESSION SPRING 25	1				
024		216013-3	STEEL BALL 6	2				
025		226960-0	SPUR GEAR 24	3				
026		327524-4	SPINDLE	1				
027		268311-1	PIN 5	3				
028		267194-6	FLAT WASHER 15	1				
029		226961-8	INTERNAL GEAR 56	1				
030		213892-0	O-RING 43	1				
031		140R48-9	BEARING BOX COMPLETE	1				
032		266490-9	TAPPING SCREW PT 2X6	3				
033		652069-6	FLAT HEAD SCREW M3X6	3				
034		620B96-3	CONTROLLER	1				
035		629464-5	STATOR	1				
036		619605-1	ROTOR	1				
037		412339-3	REAR COVER	1				
038		266130-9	TAPPING SCREW BIND PT 3X16	2				
039		620B97-1	LED CIRCUIT	1				
040		140R54-4	SWITCH PLATE COMPLETE	1				
	C10	8011F4-1	SWITCH LABEL	1				
041		183P56-5	HOUSING SET	1				
	C10	263005-3	RUBBER PIN 6	2				
	C20	252126-6	HEX. LOCK NUT M4-7	2				
	C30	422616-5	SPONGE SHEET	1				
	D10		INC. 1					
042		8007R2-2	XGT LOGO LABEL	1				
043		632P49-4	TERMINAL UNIT	1				
045		856V15-5	TD001G SERIAL NO. LABEL	1				
046		856V08-2	TD001G NAME PLATE	1				
A01		266622-8	+ TRUSS HEAD SCREW M4X12	1				
A02		346317-0	HOOK	1				
A04B		412393-7	BATTERY COVER	1				
A05B		191B26-6	BATTERY BL4040 SET	2				
A06B		***DC40RA	DC40RA FAST CHARGER	1				
	D10		COMPO-PARTS					
A07B		821550-0	CONNECTOR PLASTIC CASE (TYPE2)	1				
	C10	453974-8	LATCH	4				

B:TD001GM201(L)

Interchange

O : Yes

X : No

< : the new part can be substituted for the current.

> : the current part can be substituted for the new.

S : Interchangeable as a set.

