



MX	MEXICO
----	--------

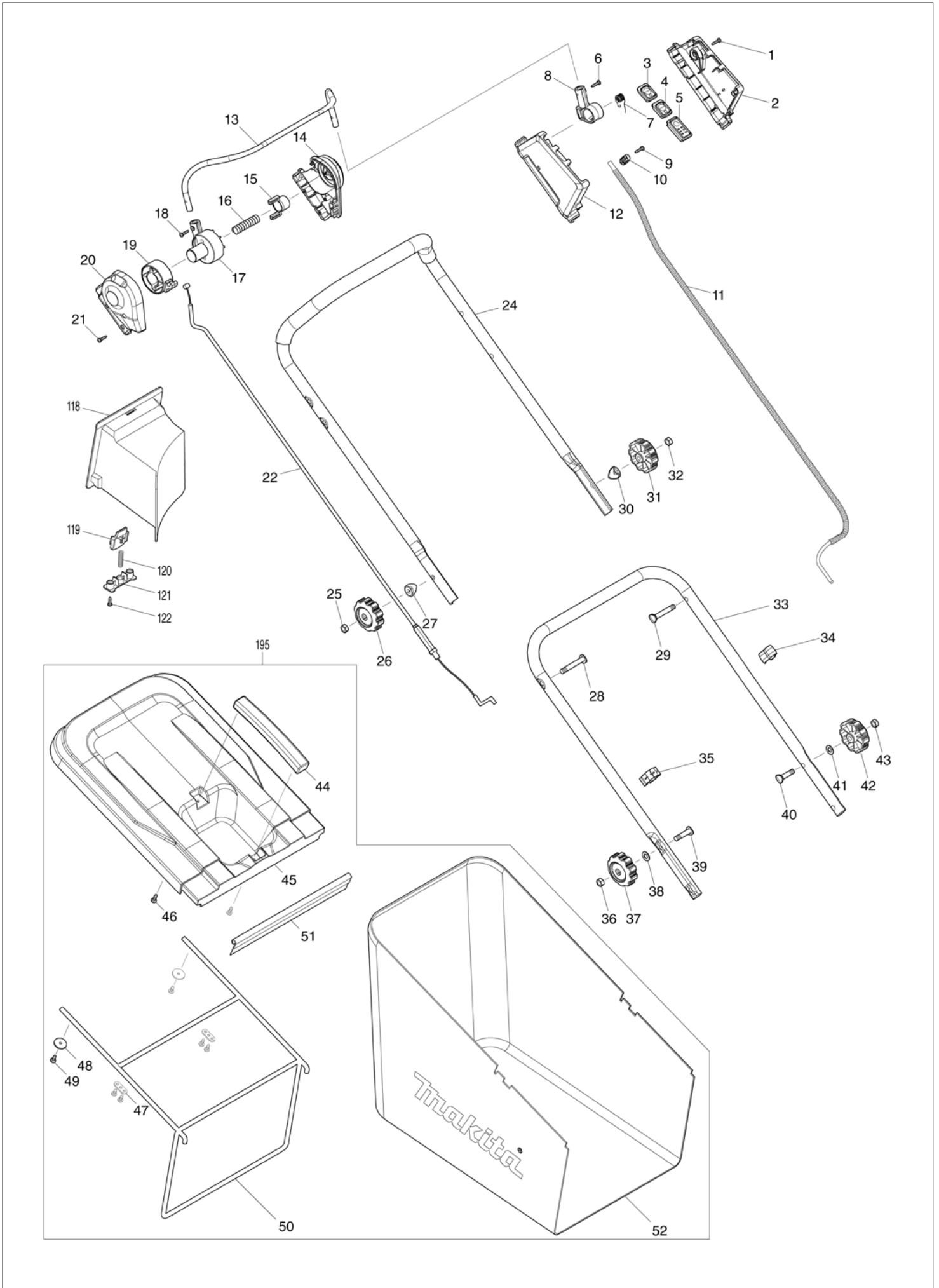
# Diagram / Parts List

**DLM460**

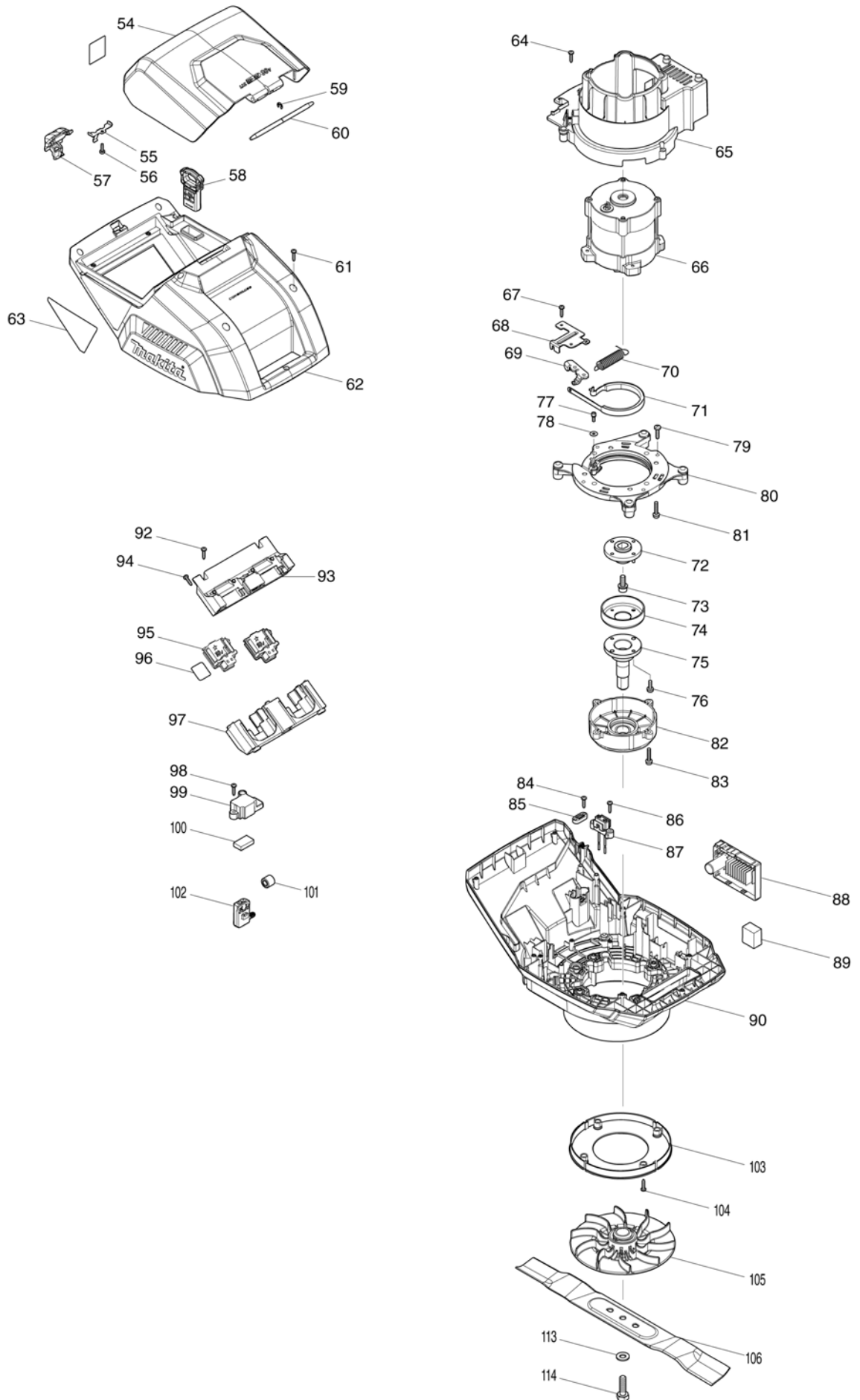
**460MM CORDLESS LAWN MOWER**



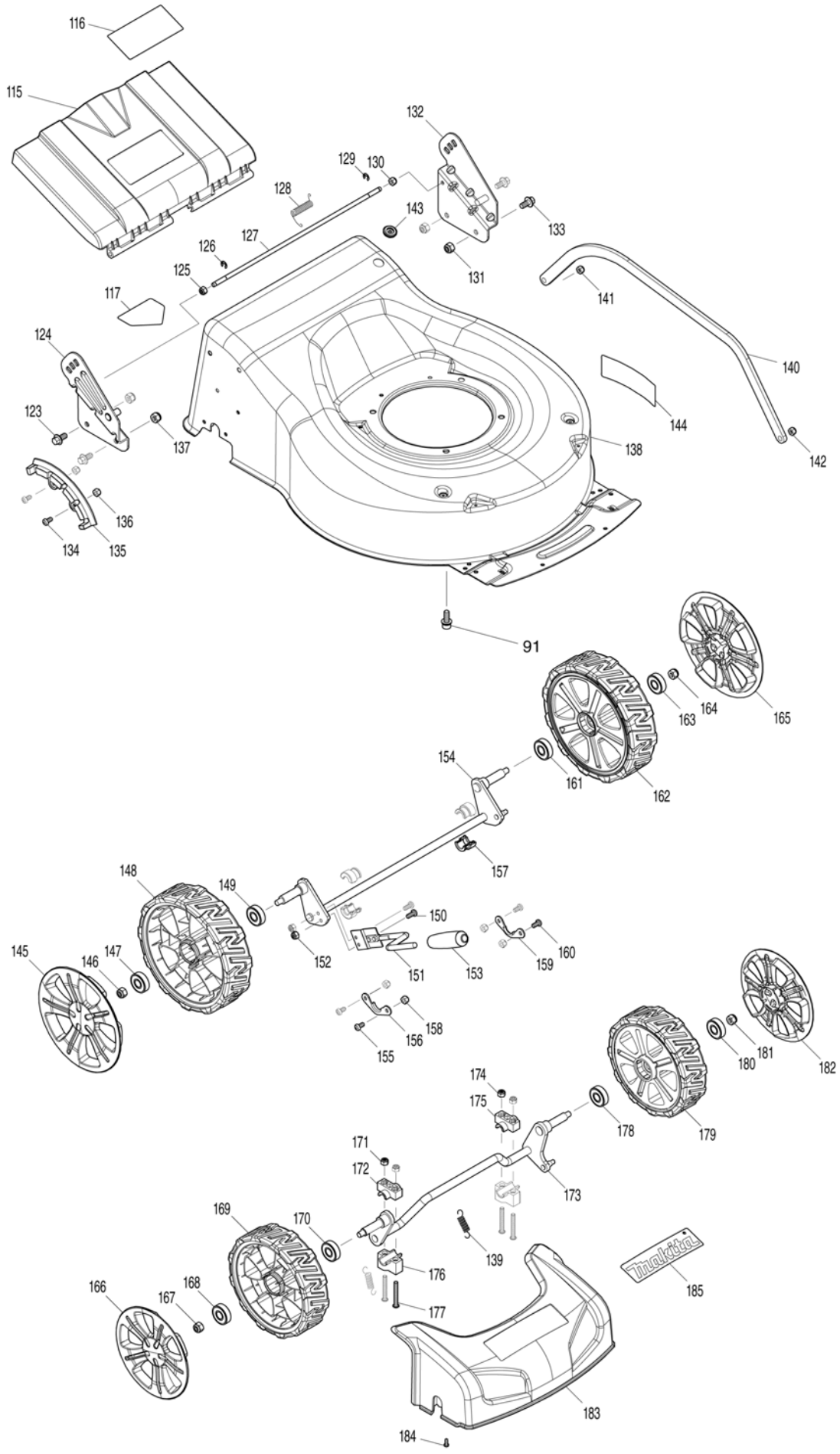
# (MX) DLM460 / 460MM CORDLESS LAWN MOWER



(MX) DLM460 / 460MM CORDLESS LAWN MOWER



# (MX) DLM460 / 460MM CORDLESS LAWN MOWER



**MX****MEXICO****DLM460 / 460MM CORDLESS LAWN MOWER**

Item	Sub	Parts No.	Parts Description	Qty	I/C	E/C No.	Close No.	Remark
001		266326-2	TAPPING SCREW 4X18	4				
002		183K45-0	SWITCH BOX SET	1				
	D10		INC. 12					
003		140F09-7	SWITCH CIRCUIT COMPLETE	1				
	C10	810D46-0	SWITCH LABEL	1				
004		140F10-2	SWITCH CIRCUIT COMPLETE	1				
	C10	818A74-1	SWITCH LABEL	1				
005		140F08-9	LED CIRCUIT COMPLETE	1				
	C10	818A73-3	INDICATION LABEL	1				
006		266324-6	TAPPING SCREW 4X22	1				
007		232470-7	TORSION SPRING 12	1				
008		458803-0	LEVER SUPPORT	1				
009		266326-2	TAPPING SCREW 4X18	2				
010		687124-5	STRAIN RELIEF	1				
011		699115-4	POWER SUPPLY CORD UNIT	1				
012		183K45-0	SWITCH BOX SET	1				
	D10		INC. 2					
013		327208-4	SWITCH LEVER	1				
014		183K56-5	LEVER BOX SET	1				
	C10	818A72-5	INDICATION LABEL	1				
	D10		INC. 20					
015		458807-2	LOCK OFF BUTTON	1				
016		231227-3	COMPRESSION SPRING 15	1				
017		458805-6	DRIVING SLEEVE A	1				
018		266324-6	TAPPING SCREW 4X22	1				
019		458806-4	DRIVING SLEEVE B	1				
020		183K56-5	LEVER BOX SET	1				
	C10	818A72-5	INDICATION LABEL	1				
	D10		INC. 14					
021		266326-2	TAPPING SCREW 4X18	4				
022		162509-1	CONTROL CABLE	1				
024		DA00001255	HANDLE UPPER + GRIP RUBBER	1			C6105	
024-1		327329-2	HANDLE UPPER	1	O	C6105		
025		DA00000563	HEXAGON NUT M8	1				
026		DA00000564	KNOB	1				
027		DA00000924	PLASTIC SADDLE WASHER 8	1				
028		DA00000569	SADDLE HEAD BOLT M8X58	1				
029		DA00000569	SADDLE HEAD BOLT M8X58	1				
030		DA00000924	PLASTIC SADDLE WASHER 8	1				
031		DA00000564	KNOB	1				
032		DA00000563	HEXAGON NUT M8	1				
033		671001606	LOWER HANDLE BAR	1				
034		458810-3	CABLE CLAMP	1				
035		671611001	CABLE CLIP	1				
036		DA00000563	HEXAGON NUT M8	1				
037		DA00000564	KNOB	1				
038		671007007	FLAT WASHER 8	1				
039		DA00000880	SADDLE HEAD BOLT M8X35	1				
040		DA00000880	SADDLE HEAD BOLT M8X35	1				
041		671007007	FLAT WASHER 8	1				
042		DA00000564	KNOB	1				
043		DA00000563	HEXAGON NUT M8	1				
044		671454001	GRASS CATCHER HANDLE	1				
045		671467001	GRASS CATCHER UPPER BORAD	1				
046		DA00000326	TAPPING SCREW ST5X16	2				
047		DA00000335	RETAINER PLATE	2				
048		DA00000025	WASHER 5	2				
049		DA00000888	TAPPING SCREW ST5X12	6				
050		671001443	GRASS CATCHER FRAME	1				
051		671001353	GRASS CATCHER FRAME SHEATH	1				
052		671001418	GRASS CATCHER CLOTH SET MAKITA	1				
054		140F97-4	BATTERY COVER COMPLETE	1				
	C10	890381-8	CAUTION LABEL	1				
	C20	818U29-6	INDICATION LABEL	1				
055		232471-5	LEAF SPRING	1				

Interchange  
O : Yes  
X : No  
< : the new part can be substituted for the current.  
> : the current part can be substituted for the new.  
S : Interchangeable as a set.

MX

MEXICO

## DLM460 / 460MM CORDLESS LAWN MOWER

Item	Sub	Parts No.	Parts Description	Qty	I/C	E/C No.	Close No.	Remark
056		266326-2	TAPPING SCREW 4X18	1				
057		458809-8	LOCK LEVER	1				
058		643535-4	KEY	1				
059		961018-5	STOP RING E-5	1				
060		327209-2	ROD 6	1				
061		266326-2	TAPPING SCREW 4X18	7				
062		458798-7	COWLING UPPER	1				
063		854V20-6	DLM460 NAME PLATE	1				
064		266326-2	TAPPING SCREW 4X18	4				
065		140F01-3	MOTOR COVER COMPLETE	1				
	C10	263005-3	RUBBER PIN 6	2				
066		629374-6	DC MOTOR	1				
067		266326-2	TAPPING SCREW 4X18	2				
068		347456-9	LEVER BRACKET	1				
069		347455-1	BRAKE LEVER	1				
070		232469-2	TENSION SPRING 15	1				
071		140F28-3	BRAKE BAND COMPLETE	1			C6221	
071-1		140K44-5	BRAKE BAND COMPLETE	1	<	C6221		
072		140F06-3	DRUM HOLDER COMPLETE	1				
073		922438-8	H.S.H.BOLT M8X22 WITH WR	1				
074		347506-0	BRAKE DRUM	1				
075		327207-6	SPINDLE	1			C6643	
075-1		327361-6	SPINDLE	1	<	C6643		
076		911221-8	PAN HEAD SCREW M5X16	2				
077		922116-0	HEX. SOCKET HEAD BOLT M4X12	1				
078		253874-0	FLAT WASHER 4	1				
079		266420-0	TAPPING SCREW 5X20	4				
080		319768-0	MOTOR BRACKET	1			C9544	
080-1		319908-0	MOTOR BRACKET	1	<	C9544		
081		911243-8	PAN HEAD SCREW M5X25	4				
082		140F51-8	BRAKE COVER COMPLETE	1				
	C10	211326-7	BALL BEARING 6004DDW	1			D3589	
	C11	210237-3	BALL BEARING 6004DDW	1	O	D3589		
083		911243-8	PAN HEAD SCREW M5X25	4				
084		266326-2	TAPPING SCREW 4X18	2				
085		687124-5	STRAIN RELIEF	1				
086		266326-2	TAPPING SCREW 4X18	2				
087		632M81-0	LEAD UNIT	1				
088		620939-7	CONTROLLER	1				
089		422351-5	SPONGE	2				
090		458799-5	COWLING LOWER	1				
091		922438-8	H.S.H.BOLT M8X22 WITH WR	4				
092		266326-2	TAPPING SCREW 4X18	2				
093		183K40-0	TERMINAL HOUSING SET	1				
	C10	263005-3	RUBBER PIN 6	4				
	D10		INC. 97					
094		266326-2	TAPPING SCREW 4X18	3				
095		644809-6	TERMINAL	2				
096		854V26-4	DLM460 SERIAL NO. LABEL	1				
097		183K40-0	TERMINAL HOUSING SET	1				
	C10	263005-3	RUBBER PIN 6	4				
	D10		INC. 93					
098		266326-2	TAPPING SCREW 4X18	2				
099		458797-9	SWITCH COVER	1				
100		422350-7	SPONGE	1				
102		651083-9	SWITCH C3XA-1PSPM	1				
103		458808-0	BUFFLE PLATE	1				
104		266326-2	TAPPING SCREW 4X18	4				
105		140F05-5	BLADE SUPPORT COMPLETE	1				
106		199367-2	BLADE 460 SET	1				
113		941251-5	FLAT WASHER 10	1				
114		921556-9	HEX. BOLT M10X35	1				
115		DA00001252	REAR FLAP	1			C8737	
115-1		DA00001295	REAR COVER	1	<	C8737		
116		818E34-7	CAUTION LABEL	1				

Interchange

O : Yes

X : No

&lt; : the new part can be substituted for the current.

&gt; : the current part can be substituted for the new.

S : Interchangeable as a set.

**MX****MEXICO****DLM460 / 460MM CORDLESS LAWN MOWER**

Item	Sub	Parts No.	Parts Description	Qty	I/C	E/C No.	Close No.	Remark
117		890378-7	CAUTION LABEL	1				
118		671660001	MULCHING PLUG BOX	1				
119		671316004	LOCKING BUTTON	1				
120		671011005	COMPRESSION SPRING	1				
121		671317001	PRESSING BOARD OF LOCKING	1				
122		DA00000603	TAPPING SCREW ST4X16	2				
123		DA00000562	HEX.FLANGE BOLT M8X16	2				
124		DA00001248	HANDLE BRACKET R	1				
125		DA00000543	HEX.FLANGE LOCK NUT M6	1				
126		671009017	STOP RING E-6	1				
127		671001518	REAR FLAP HINGE ROD	1				
128		671011101	REAR FLAP TORSION SPRING	1				
129		671009017	STOP RING E-6	1				
130		DA00000543	HEX.FLANGE LOCK NUT M6	1				
131		DA00000537	HEX.FLANGE LOCK NUT M8	2				
132		DA00001249	HANDLE BRACKET L	1				
133		DA00000562	HEX.FLANGE BOLT M8X16	2				
134		671002019	TRUSS HEAD SCREW M6X12	2				
135		DA00000787	HEIGHT ADJUSTER STOP PLATE	1			C6643	
135-1		459361-9	ADJUST PLATE	1	<	C6643		
136		DA00000543	HEX.FLANGE LOCK NUT M6	2				
137		DA00000537	HEX.FLANGE LOCK NUT M8	2				
138		DA00001250	DECK	1			C8737	
138-1		DA00001294	DECK	1	<	C8737		
139		671011125	HEIGHT ADJUST TENSION SPRING	2				
140		DA00001154	LINK ROD	1				
141		DA00000549	NYLON INSERT HEX.LOCK NUT M6	1				
142		DA00000549	NYLON INSERT HEX.LOCK NUT M6	1				
143		671800104	GROMMET	1			C8737	
144		818A76-7	3 IN 1 LOGO LABEL	1				
145		DA00000536	WHEEL COVER 7 INCH	1				
146		DA00000537	HEX.FLANGE LOCK NUT M8	1				
147		DA00000538	BALL BEARING 6201ZZ	1				
148		671020160	WHEEL ASSY 8 INCH	1				
149		DA00000538	BALL BEARING 6201ZZ	1				
150		671002030	PAN. HEAD SCREW M6X14	2				
151		DA00001174	HANDLE	1				
152		DA00000549	NYLON INSERT HEX.LOCK NUT M6	2				
153		DA00001058	HEIGHT ADJUSTMENT KNOB	1				
154		DA00001175	REAR WHEEL AXIS ASSY	1				
155		671002019	TRUSS HEAD SCREW M6X12	2				
156		DA00000542	AXLE RETAINER	1				
157		DA00001025	REAR AXLE MOUNT	4				
158		DA00000543	HEX.FLANGE LOCK NUT M6	4				
159		DA00000542	AXLE RETAINER	1				
160		671002019	TRUSS HEAD SCREW M6X12	2				
161		DA00000538	BALL BEARING 6201ZZ	1				
162		671020160	WHEEL ASSY 8 INCH	1				
163		DA00000538	BALL BEARING 6201ZZ	1				
164		DA00000537	HEX.FLANGE LOCK NUT M8	1				
165		DA00000536	WHEEL COVER 7 INCH	1				
166		671001176	WHEEL COVER 6.5 INCH	1				
167		DA00000537	HEX.FLANGE LOCK NUT M8	1				
168		DA00000538	BALL BEARING 6201ZZ	1				
169		671020150	WHEEL ASSY 7 INCH	1				
170		DA00000538	BALL BEARING 6201ZZ	1				
171		DA00000549	NYLON INSERT HEX.LOCK NUT M6	2				
172		671445001	FRONT AXLE RETAINER	1				
173		671001786	FRONT AXLE	1				
174		DA00000549	NYLON INSERT HEX.LOCK NUT M6	2				
175		671445001	FRONT AXLE RETAINER	1				
176		671418001	FRONT AXLE MOUNT	2				
177		671002028	PAN.HED SCREW M6X45	4				
178		DA00000538	BALL BEARING 6201ZZ	1				
179		671020150	WHEEL ASSY 7 INCH	1				

Interchange

O : Yes

X : No

&lt; : the new part can be substituted for the current.

&gt; : the current part can be substituted for the new.

S : Interchangeable as a set.

