



MX

MEXICO

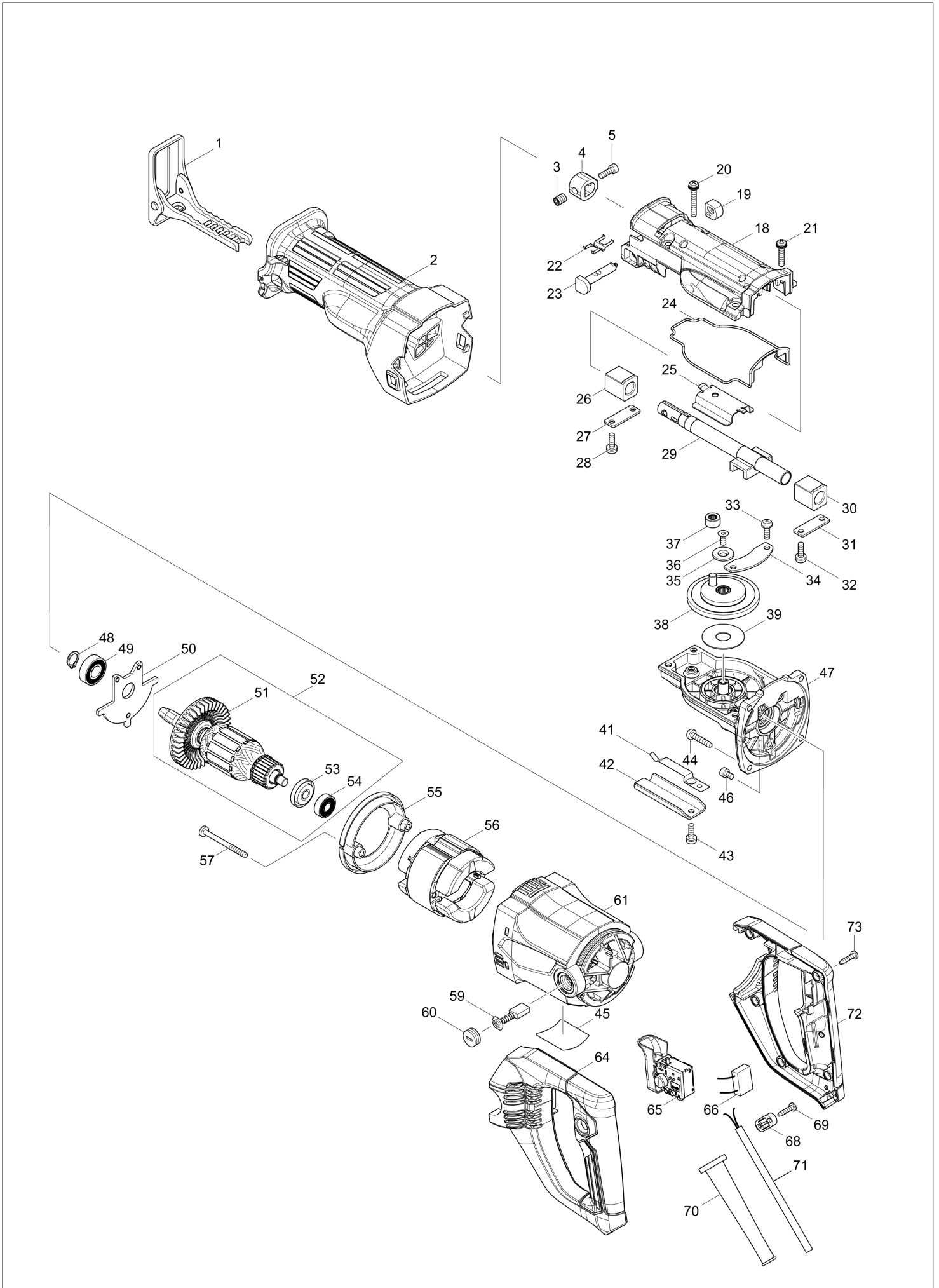
Diagram / Parts List

M4500

RECIPRO SAW



(MX) M4500 / RECIPRO SAW



MX

MEXICO

M4500 / RECIPRO SAW

Item	Sub	Parts No.	Parts Description	Qty	I/C	E/C No.	Close No.	Remark
001		163541-8	SHOE	1				
002		424588-0	INSULATION COVER	1				
003		266202-0	H.SOCKET SET SCREW(HOLE)M8X10	1				
004		313075-3	BLADE CLAMP	1				
005		266090-5	HEX. SOCKET HEAD BOLT M5X15	1				
018		142177-6	GEAR HOUSING COVER COMPLETE	1				
	C10	213151-2	OIL SEAL 14	1				
	C20	213174-0	X RING 14	1				
019		418806-6	CAP	1				
020		911258-5	PAN HEAD SCREW M5X35	2				
021		911243-8	PAN HEAD SCREW M5X25	2				
022		232221-8	LEAF SPRING A	1				
023		162236-0	SHIFT BUTTON	1				
024		424586-4	SEAL RING	1				
025		346714-0	SLIDE PLATE	1				
026		214169-6	PLANE BEARING 14	1				
027		341462-6	PLATE	1				
028		911225-0	PAN HEAD SCREW M5X16	2				
029A		168821-7	SLIDER	1			B7636	
029B		168821-7	SLIDER	1			B7636	
029-1A		161600-2	SLIDER	1	<	B7636		
029-1B		161600-2	SLIDER	1	<	B7636		
029-1C		161600-2	SLIDER	1				
030		214169-6	PLANE BEARING 14	1				
031		341462-6	PLATE	1				
032		911225-0	PAN HEAD SCREW M5X16	2				
033		911225-0	PAN HEAD SCREW M5X16	2				
034		346715-8	GEAR PLATE	1				
035		267475-8	FLAT WASHER 6	1				
036		251969-3	HEX. SOCKET HEAD BOLT M5X12	1				
037		212959-1	NEEDLE BEARING 708	1				
038		142176-8	GEAR COMPLETE	1				
039		267474-0	FLAT WASHER 14	1				
041		232222-6	LEAF SPRING B	1				
042		346713-2	SHOE GUIDE	1				
043		911225-0	PAN HEAD SCREW M5X16	1				
044		266459-3	TAPPING SCREW 5X25	4				
045		852C68-8	M4500 NAME PLATE	1				
046		265530-0	HEX.SOCKET HEAD BOLT M5X8	3				
047		142178-4	GEAR HOUSING COMPLETE	1				
	C10	931302-2	HEX. NUT M6	1				
	C20	941151-9	FLAT WASHER 6	1				
048		961052-5	RETAINING RING S-12	1				
049		210107-6	BALL BEARING 6001ZZ	1				
050		285737-2	BEARING RETAINER	1				
051		241863-7	FAN 70	1				
052		513896-5	ARMATURE ASS'Y 115V	1				
	D10		INC. 51,53,54					
053		681644-1	INSULATION WASHER	1				
054		210046-0	BALL BEARING 608ZZ	1				
055		454596-7	BAFFLE PLATE	1				
056		594626-3	FIELD ASS'Y 115V	1				
	C10	654220-4	RING TERMINAL	2			B6969	
	C11	654449-2	RING TERMINAL	2	O	B6969		
	C20	654501-6	CONNECTOR P-1.25	2			B6826	
	C21	654485-8	PARALLEL SPLICE	2	>	B6826		
	C10	654220-4	RING TERMINAL	2			B6969	
	C11	654449-2	RING TERMINAL	2	O	B6969		
	C20	654501-6	CONNECTOR P-1.25	2			B6826	
	C21	654485-8	PARALLEL SPLICE	2	>	B6826		
	C11	654449-2	RING TERMINAL	2				
	C21	654485-8	PARALLEL SPLICE	2				
057		266418-7	TAPPING SCREW 5X55	2				
059		194996-6	CARBON BRUSH SET CB-303	1				
060		643750-0	BRUSH HOLDER CAP 7-11	2				

A:M4500G(L)
B:M4500KG(L)
C:M4500B(L)

Interchange
O : Yes
X : No
< : the new part can be substituted for the current.
> : the current part can be substituted for the new.
S : Interchangeable as a set.

