



MX

MEXICO

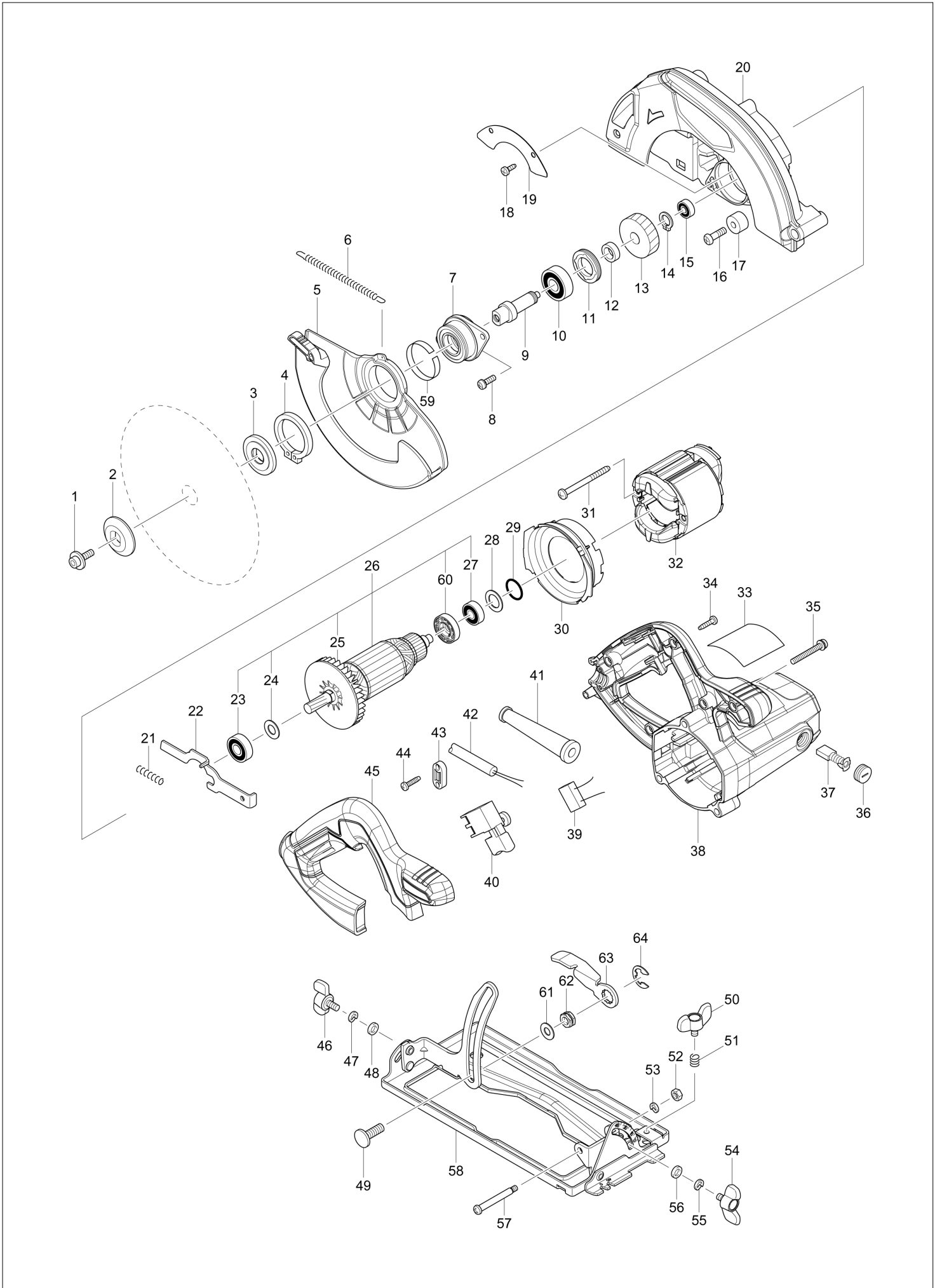
Diagram / Parts List

M5802

185/190MM CIRCULAR SAW



(MX) M5802 / 185/190MM CIRCULAR SAW



MX

MEXICO

M5802 / 185/190MM CIRCULAR SAW

Item	Sub	Parts No.	Parts Description	Qty	I/C	E/C No.	Close No.	Remark
001		266819-9	HEX.SOKCET HEAD BOLT M6X20	1				
002		224275-9	OUTER FLANGE 40	1				
003		224395-9	INNER FLANGE 40	1				
004		961155-5	RETAINING RING S-38	1				
005		452090-3	SAFETY COVER	1				
006		231839-2	TENSION SPRING 4	1				
007		317666-2	BEARING BOX	1				
008		265120-9	PAN HEAD SCREW M5X16	2				
009		324395-0	SPINDLE	1				
010		211145-1	BALL BEARING 6201ZZ	1				
011		285840-9	BEARING RETAINER 19-33	1				
012		257173-2	RING 12	1				
013		226610-7	HELICAL GEAR 38	1				
014		961052-5	RETAINING RING (EXT) S-12	1				
015		210028-2	BALL BEARING 606ZZ	1				
016		265117-8	+PAN HEAD SCREW M6X20	1				
017		262556-3	RUBBER SLEEVE 6	1				
018		266026-4	TAPPING SCREW BIND CT 4X12	1				
019		346314-6	COVER PLATE	1				
020		143585-4	BLADE CASE COMPLETE	1				
	C10	213445-5	O-RING 26	1				
021		233092-6	COMPRESSION SPRING 5	1				
022		345317-7	SHAFT LOCK	1				
023A		210067-2	BALL BEARING 6000ZZ	1			C7958	
023-1A		210199-5	BALL BEARING 6000ZZ	1	O	C7958		
023-1B		210199-5	BALL BEARING 6000ZZ	1				
024		267256-0	FLAT WASHER 10	1				
025		240064-4	FAN 70	1				
026A		510202-5	ARMATURE ASS'Y 115V	1			C7958	
	D10		INC. 23-25,27,60				C7958	
026-1A		510415-8	ARMATURE ASS'Y 115V	1	O	C7958		
	D10		INC. 23-25,27,60			C7958		
026-1B		510415-8	ARMATURE ASS'Y 115V	1				
	D10		INC. 23-25,27,60					
027		210029-0	BALL BEARING 608ZZ	1				
028		267255-2	FLAT WASHER 14	1				
029		213279-6	O RING 18	1				
030		452092-9	BAFFLE PLATE	1				
031		266329-6	TAPPING SCREW 5X60	2				
032A		599027-0	FIELD ASS'Y 115V	1			B3142	
	C10	654220-4	RING TERMINAL	2			B3142	
	C20	654501-6	CONNECTOR P-1.25	2			B3142	
032-1A		593942-0	FIELD ASS'Y 115V	1	O	B3142		
	C10	654220-4	RING TERMINAL	2		B3142	B6969	
	C11	654449-2	RING TERMINAL	2	O	B6969		
	C20	654501-6	CONNECTOR P-1.25	2		B3142	B6826	
	C21	654485-8	PARALLEL SPLICE	2	>	B6826		
032-1B		593942-0	FIELD ASS'Y 115V	1				
	C11	654449-2	RING TERMINAL	2				
	C21	654485-8	PARALLEL SPLICE	2				
033		852B51-9	M5802 NAME PLATE	1				
034		266326-2	TAPPING SCREW 4X18	5				
035		265104-7	PAN HEAD SCREW M5X40	3				
036		643750-0	BRUSH HOLDER CAP 7-11	2				
037		194996-6	CARBON BRUSH SET CB-303	1				
038A		140690-8	MOTOR HOUSING COMPLETE	1				
038B		143586-2	MOTOR HOUSING COMPLETE	1				
	C10	643764-9	BRUSH HOLDER	2				
040		650238-3	SWITCH FA1-6/1D-2	1				
041		682503-2	CORD GUARD 8-90	1				
042		664881-2	POWER SUPPLY CORD #18-2-2.0	1				
043		687123-7	STRAIN RELIEF	1				
044		266326-2	TAPPING SCREW 4X18	2				
045A		452377-3	HANDLE COVER	1				
045B		456490-9	HANDLE COVER	1				

A:M5802G(L)
B:M5802B(L)

Interchange

O : Yes

X : No

< : the new part can be substituted for the current.

> : the current part can be substituted for the new.

S : Interchangeable as a set.

