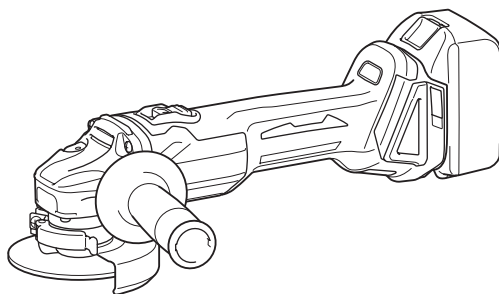


**INSTRUCTION MANUAL  
MANUEL D'INSTRUCTION  
MANUAL DE INSTRUCCIONES**



# **Cordless Angle Grinder Meuleuse d'Angle sans Fil Esmeriladora Angular Inalámbrica**

**DGA406  
DGA456  
DGA506**



**IMPORTANT:** Read Before Using.

**IMPORTANT :** Lire avant usage.

**IMPORTANTE:** Lea antes de usar.

# SPECIFICATIONS

Model:		DGA406	DGA456	DGA506
Wheel diameter		100mm (4")	115mm (4-1/2")	125mm (5")
Max. wheel thickness		6.4mm (1/4")		
Spindle thread		M10 x 1.25	5/8"	
Rated speed (n)		8,500/min		
Overall length	With battery cartridge BL1815N, BL1820, BL1820B	348mm (13-3/4")		
	With battery cartridge BL1830, BL1830B, BL1840, BL1840B, BL1850, BL1850B, BL1860B	362mm (14-1/4")		
Net weight	With battery cartridge BL1815N, BL1820, BL1820B	2.2kg (4.9lbs)	2.3kg (5.1lbs)	2.3kg (5.2lbs)
	With battery cartridge BL1830, BL1830B, BL1840, BL1840B, BL1850, BL1850B, BL1860B	2.5kg (5.4lbs)	2.6kg (5.7lbs)	
Rated voltage		D.C. 18 V		
Standard battery cartridge		BL1815N, BL1820, BL1820B, BL1830, BL1830B, BL1840, BL1840B, BL1850, BL1850B, BL1860B		

- Due to our continuing program of research and development, the specifications herein are subject to change without notice.
- Specifications and battery cartridge may differ from country to country.
- Weight, with battery cartridge, according to EPTA-Procedure 01/2003

## General power tool safety warnings

**⚠ WARNING:** Read all safety warnings and all instructions. Failure to follow the warnings and instructions may result in electric shock, fire and/or serious injury.

## Save all warnings and instructions for future reference.

The term "power tool" in the warnings refers to your mains-operated (corded) power tool or battery-operated (cordless) power tool.

### Work area safety

1. **Keep work area clean and well lit.** Cluttered or dark areas invite accidents.
2. **Do not operate power tools in explosive atmospheres, such as in the presence of flammable liquids, gases or dust.** Power tools create sparks which may ignite the dust or fumes.
3. **Keep children and bystanders away while operating a power tool.** Distractions can cause you to lose control.

### Electrical Safety

1. **Power tool plugs must match the outlet. Never modify the plug in any way. Do not use any adapter plugs with earthed (grounded) power tools.** Unmodified plugs and matching outlets will reduce risk of electric shock.
2. **Avoid body contact with earthed or grounded surfaces such as pipes, radiators, ranges and refrigerators.** There is an increased risk of electric shock if your body is earthed or grounded.

3. **Do not expose power tools to rain or wet conditions.** Water entering a power tool will increase the risk of electric shock.
4. **Do not abuse the cord. Never use the cord for carrying, pulling or unplugging the power tool. Keep cord away from heat, oil, sharp edges or moving parts.** Damaged or entangled cords increase the risk of electric shock.
5. **When operating a power tool outdoors, use an extension cord suitable for outdoor use.** Use of a cord suitable for outdoor use reduces the risk of electric shock.
6. **If operating a power tool in a damp location is unavoidable, use a ground fault circuit interrupter (GFCI) protected supply.** Use of a GFCI reduces the risk of electric shock.

### Personal Safety

1. **Stay alert, watch what you are doing and use common sense when operating a power tool. Do not use a power tool while you are tired or under the influence of drugs, alcohol or medication.** A moment of inattention while operating power tools may result in serious personal injury.
2. **Use personal protective equipment. Always wear eye protection.** Protective equipment such as dust mask, non-skid safety shoes, hard hat, or hearing protection used for appropriate conditions will reduce personal injuries.
3. **Prevent unintentional starting. Ensure the switch is in the off-position before connecting to power source and/or battery pack, picking up or carrying the tool.** Carrying power tools with your finger on the switch or energising power tools that have the switch on invites accidents.

4. **Remove any adjusting key or wrench before turning the power tool on.** A wrench or a key left attached to a rotating part of the power tool may result in personal injury.
5. **Do not overreach. Keep proper footing and balance at all times.** This enables better control of the power tool in unexpected situations.
6. **Dress properly. Do not wear loose clothing or jewellery. Keep your hair, clothing, and gloves away from moving parts.** Loose clothes, jewellery or long hair can be caught in moving parts.
7. **If devices are provided for the connection of dust extraction and collection facilities, ensure these are connected and properly used.** Use of dust collection can reduce dust-related hazards.

#### Power tool use and care

1. **Do not force the power tool. Use the correct power tool for your application.** The correct power tool will do the job better and safer at the rate for which it was designed.
2. **Do not use the power tool if the switch does not turn it on and off.** Any power tool that cannot be controlled with the switch is dangerous and must be repaired.
3. **Disconnect the plug from the power source and/or the battery pack from the power tool before making any adjustments, changing accessories, or storing power tools.** Such preventive safety measures reduce the risk of starting the power tool accidentally.
4. **Store idle power tools out of the reach of children and do not allow persons unfamiliar with the power tool or these instructions to operate the power tool.** Power tools are dangerous in the hands of untrained users.
5. **Maintain power tools. Check for misalignment or binding of moving parts, breakage of parts and any other condition that may affect the power tool's operation. If damaged, have the power tool repaired before use.** Many accidents are caused by poorly maintained power tools.
6. **Keep cutting tools sharp and clean.** Properly maintained cutting tools with sharp cutting edges are less likely to bind and are easier to control.
7. **Use the power tool, accessories and tool bits etc. in accordance with these instructions, taking into account the working conditions and the work to be performed.** Use of the power tool for operations different from those intended could result in a hazardous situation.

#### Battery tool use and care

1. **Recharge only with the charger specified by the manufacturer.** A charger that is suitable for one type of battery pack may create a risk of fire when used with another battery pack.
2. **Use power tools only with specifically designated battery packs.** Use of any other battery packs may create a risk of injury and fire.
3. **When battery pack is not in use, keep it away from other metal objects, like paper clips, coins, keys, nails, screws or other small metal objects, that can make a connection from one terminal to another.** Shorting the battery terminals together may cause burns or a fire.

4. **Under abusive conditions, liquid may be ejected from the battery; avoid contact. If contact accidentally occurs, flush with water. If liquid contacts eyes, additionally seek medical help.** Liquid ejected from the battery may cause irritation or burns.

#### Service

1. **Have your power tool serviced by a qualified repair person using only identical replacement parts.** This will ensure that the safety of the power tool is maintained.
2. **Follow instruction for lubricating and changing accessories.**
3. **Keep handles dry, clean and free from oil and grease.**

## Cordless grinder safety warnings

### Safety Warnings Common for Grinding, Sanding, Wire Brushing, or Abrasive Cutting-Off Operations:

1. **This power tool is intended to function as a grinder, sander, wire brush or cut-off tool. Read all safety warnings, instructions, illustrations and specifications provided with this power tool.** Failure to follow all instructions listed below may result in electric shock, fire and/or serious injury.
2. **Operations such as polishing are not recommended to be performed with this power tool.** Operations for which the power tool was not designed may create a hazard and cause personal injury.
3. **Do not use accessories which are not specifically designed and recommended by the tool manufacturer.** Just because the accessory can be attached to your power tool, it does not assure safe operation.
4. **The rated speed of the accessory must be at least equal to the maximum speed marked on the power tool.** Accessories running faster than their rated speed can break and fly apart.
5. **The outside diameter and the thickness of your accessory must be within the capacity rating of your power tool.** Incorrectly sized accessories cannot be adequately guarded or controlled.
6. **Threaded mounting of accessories must match the grinder spindle thread. For accessories mounted by flanges, the arbour hole of the accessory must fit the locating diameter of the flange.** Accessories that do not match the mounting hardware of the power tool will run out of balance, vibrate excessively and may cause loss of control.
7. **Do not use a damaged accessory. Before each use inspect the accessory such as abrasive wheels for chips and cracks, backing pad for cracks, tear or excess wear, wire brush for loose or cracked wires. If power tool or accessory is dropped, inspect for damage or install an undamaged accessory. After inspecting and installing an accessory, position yourself and bystanders away from the plane of the rotating accessory and run the power tool at maximum no-load speed for one minute.** Damaged accessories will normally break apart during this test time.

8. **Wear personal protective equipment.** Depending on application, use face shield, safety goggles or safety glasses. As appropriate, wear dust mask, hearing protectors, gloves and workshop apron capable of stopping small abrasive or workpiece fragments. The eye protection must be capable of stopping flying debris generated by various operations. The dust mask or respirator must be capable of filtering particles generated by your operation. Prolonged exposure to high intensity noise may cause hearing loss.
9. **Keep bystanders a safe distance away from work area. Anyone entering the work area must wear personal protective equipment.** Fragments of workpiece or of a broken accessory may fly away and cause injury beyond immediate area of operation.
10. **Hold the power tool by insulated gripping surfaces only, when performing an operation where the cutting tool may contact hidden wiring.** Contact with a "live" wire will also make exposed metal parts of the power tool "live" and could give the operator an electric shock.
11. **Never lay the power tool down until the accessory has come to a complete stop.** The spinning accessory may grab the surface and pull the power tool out of your control.
12. **Do not run the power tool while carrying it at your side.** Accidental contact with the spinning accessory could snag your clothing, pulling the accessory into your body.
13. **Regularly clean the power tool's air vents.** The motor's fan will draw the dust inside the housing and excessive accumulation of powdered metal may cause electrical hazards.
14. **Do not operate the power tool near flammable materials.** Sparks could ignite these materials.
15. **Do not use accessories that require liquid coolants.** Using water or other liquid coolants may result in electrocution or shock.
2. **Never place your hand near the rotating accessory.** Accessory may kickback over your hand.
3. **Do not position your body in the area where power tool will move if kickback occurs.** Kickback will propel the tool in direction opposite to the wheel's movement at the point of snagging.
4. **Use special care when working corners, sharp edges etc. Avoid bouncing and snagging the accessory.** Corners, sharp edges or bouncing have a tendency to snag the rotating accessory and cause loss of control or kickback.
5. **Do not attach a saw chain woodcarving blade or toothed saw blade.** Such blades create frequent kickback and loss of control.

#### **Safety Warnings Specific for Grinding and Abrasive Cutting-Off Operations:**

1. **Use only wheel types that are recommended for your power tool and the specific guard designed for the selected wheel.** Wheels for which the power tool was not designed cannot be adequately guarded and are unsafe.
2. **The grinding surface of centre depressed wheels must be mounted below the plane of the guard lip.** An improperly mounted wheel that projects through the plane of the guard lip cannot be adequately protected.
3. **The guard must be securely attached to the power tool and positioned for maximum safety, so the least amount of wheel is exposed towards the operator.** The guard helps to protect the operator from broken wheel fragments, accidental contact with wheel and sparks that could ignite clothing.
4. **Wheels must be used only for recommended applications. For example: do not grind with the side of cut-off wheel.** Abrasive cut-off wheels are intended for peripheral grinding, side forces applied to these wheels may cause them to shatter.
5. **Always use undamaged wheel flanges that are of correct size and shape for your selected wheel.** Proper wheel flanges support the wheel thus reducing the possibility of wheel breakage. Flanges for cut-off wheels may be different from grinding wheel flanges.
6. **Do not use worn down wheels from larger power tools.** Wheel intended for larger power tool is not suitable for the higher speed of a smaller tool and may burst.

#### **Additional Safety Warnings Specific for Abrasive Cutting-Off Operations:**

#### **Kickback and Related Warnings**

Kickback is a sudden reaction to a pinched or snagged rotating wheel, backing pad, brush or any other accessory. Pinching or snagging causes rapid stalling of the rotating accessory which in turn causes the uncontrolled power tool to be forced in the direction opposite of the accessory's rotation at the point of the binding. For example, if an abrasive wheel is snagged or pinched by the workpiece, the edge of the wheel that is entering into the pinch point can dig into the surface of the material causing the wheel to climb out or kick out. The wheel may either jump toward or away from the operator, depending on direction of the wheel's movement at the point of pinching. Abrasive wheels may also break under these conditions.

Kickback is the result of power tool misuse and/or incorrect operating procedures or conditions and can be avoided by taking proper precautions as given below.

1. **Maintain a firm grip on the power tool and position your body and arm to allow you to resist kickback forces. Always use auxiliary handle, if provided, for maximum control over kickback or torque reaction during start-up.** The operator can control torque reactions or kickback forces, if proper precautions are taken.

1. **Do not "jam" the cut-off wheel or apply excessive pressure. Do not attempt to make an excessive depth of cut.** Overstressing the wheel increases the loading and susceptibility to twisting or binding of the wheel in the cut and the possibility of kickback or wheel breakage.
2. **Do not position your body in line with and behind the rotating wheel.** When the wheel, at the point of operation, is moving away from your body, the possible kickback may propel the spinning wheel and the power tool directly at you.

3. When wheel is binding or when interrupting a cut for any reason, switch off the power tool and hold the power tool motionless until the wheel comes to a complete stop. Never attempt to remove the cut-off wheel from the cut while the wheel is in motion otherwise kickback may occur. Investigate and take corrective action to eliminate the cause of wheel binding.
4. Do not restart the cutting operation in the workpiece. Let the wheel reach full speed and carefully re-enter the cut. The wheel may bind, walk up or kickback if the power tool is restarted in the workpiece.
5. Support panels or any oversized workpiece to minimize the risk of wheel pinching and kickback. Large workpieces tend to sag under their own weight. Supports must be placed under the workpiece near the line of cut and near the edge of the workpiece on both sides of the wheel.
6. Use extra caution when making a "pocket cut" into existing walls or other blind areas. The protruding wheel may cut gas or water pipes, electrical wiring or objects that can cause kickback.
8. Do not touch the workpiece immediately after operation; it may be extremely hot and could burn your skin.
9. Observe the instructions of the manufacturer for correct mounting and use of wheels. Handle and store wheels with care.
10. Do not use separate reducing bushings or adaptors to adapt large hole abrasive wheels.
11. Use only flanges specified for this tool.
12. For tools intended to be fitted with threaded hole wheel, ensure that the thread in the wheel is long enough to accept the spindle length.
13. Check that the workpiece is properly supported.
14. Pay attention that the wheel continues to rotate after the tool is switched off.
15. If working place is extremely hot and humid, or badly polluted by conductive dust, use a short-circuit breaker (30 mA) to assure operator safety.
16. Do not use the tool on any materials containing asbestos.
17. When use cut-off wheel, always work with the dust collecting wheel guard required by domestic regulation.

#### Safety Warnings Specific for Sanding Operations:

1. Do not use excessively oversized sanding disc paper. Follow manufacturers recommendations, when selecting sanding paper. Larger sanding paper extending beyond the sanding pad presents a laceration hazard and may cause snagging, tearing of the disc or kickback.
18. Cutting discs must not be subjected to any lateral pressure.
19. Do not use cloth work gloves during operation. Fibers from cloth gloves may enter the tool, which causes tool breakage.

#### Safety Warnings Specific for Wire Brushing Operations:

1. Be aware that wire bristles are thrown by the brush even during ordinary operation. Do not overstress the wires by applying excessive load to the brush. The wire bristles can easily penetrate light clothing and/or skin.
2. If the use of a guard is recommended for wire brushing, do not allow any interference of the wire wheel or brush with the guard. Wire wheel or brush may expand in diameter due to work load and centrifugal forces.

#### Additional Safety Warnings:

1. When using depressed centre grinding wheels, be sure to use only fiberglass-reinforced wheels.
2. NEVER USE Stone Cup type wheels with this grinder. This grinder is not designed for these types of wheels and the use of such a product may result in serious personal injury.
3. Be careful not to damage the spindle, the flange (especially the installing surface) or the lock nut. Damage to these parts could result in wheel breakage.
4. Make sure the wheel is not contacting the workpiece before the switch is turned on.
5. Before using the tool on an actual workpiece, let it run for a while. Watch for vibration or wobbling that could indicate poor installation or a poorly balanced wheel.
6. Use the specified surface of the wheel to perform the grinding.
7. Do not leave the tool running. Operate the tool only when hand-held.

## SAVE THESE INSTRUCTIONS.

**⚠WARNING:** DO NOT let comfort or familiarity with product (gained from repeated use) replace strict adherence to safety rules for the subject product. MISUSE or failure to follow the safety rules stated in this instruction manual may cause serious personal injury.

### Symbols

The followings show the symbols used for tool.

V	volts
— ---	direct current
n	rated speed
... /min r /min	revolutions or reciprocation per minute

### Important safety instructions for battery cartridge

1. Before using battery cartridge, read all instructions and cautionary markings on (1) battery charger, (2) battery, and (3) product using battery.
2. Do not disassemble battery cartridge.
3. If operating time has become excessively shorter, stop operating immediately. It may result in a risk of overheating, possible burns and even an explosion.

4. If electrolyte gets into your eyes, rinse them out with clear water and seek medical attention right away. It may result in loss of your eyesight.
5. Do not short the battery cartridge:
  - (1) Do not touch the terminals with any conductive material.
  - (2) Avoid storing battery cartridge in a container with other metal objects such as nails, coins, etc.
  - (3) Do not expose battery cartridge to water or rain.

A battery short can cause a large current flow, overheating, possible burns and even a breakdown.

6. Do not store the tool and battery cartridge in locations where the temperature may reach or exceed 50 °C (122 °F).
7. Do not incinerate the battery cartridge even if it is severely damaged or is completely worn out. The battery cartridge can explode in a fire.
8. Be careful not to drop or strike battery.
9. Do not use a damaged battery.

10. The contained lithium-ion batteries are subject to the Dangerous Goods Legislation requirements.

For commercial transports e.g. by third parties, forwarding agents, special requirement on packaging and labeling must be observed. For preparation of the item being shipped, consulting an expert for hazardous material is required. Please also observe possibly more detailed national regulations.

Tape or mask off open contacts and pack up the battery in such a manner that it cannot move around in the packaging.

11. Follow your local regulations relating to disposal of battery.

## SAVE THESE INSTRUCTIONS.

**CAUTION:** Only use genuine Makita batteries. Use of non-genuine Makita batteries, or batteries that have been altered, may result in the battery bursting causing fires, personal injury and damage. It will also void the Makita warranty for the Makita tool and charger.

## Tips for maintaining maximum battery life

1. Charge the battery cartridge before completely discharged. Always stop tool operation and charge the battery cartridge when you notice less tool power.
2. Never recharge a fully charged battery cartridge. Overcharging shortens the battery service life.
3. Charge the battery cartridge with room temperature at 10 °C - 40 °C (50 °F - 104 °F). Let a hot battery cartridge cool down before charging it.
4. Charge the battery cartridge if you do not use it for a long period (more than six months).

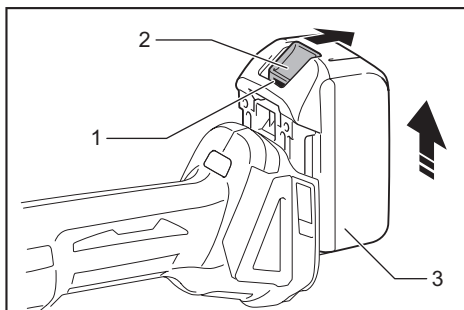
## FUNCTIONAL DESCRIPTION

**CAUTION:** Always be sure that the tool is switched off and the battery cartridge is removed before adjusting or checking function on the tool.

## Installing or removing battery cartridge

**CAUTION:** Always switch off the tool before installing or removing of the battery cartridge.

**CAUTION:** Hold the tool and the battery cartridge firmly when installing or removing battery cartridge. Failure to hold the tool and the battery cartridge firmly may cause them to slip off your hands and result in damage to the tool and battery cartridge and a personal injury.



► 1. Red indicator 2. Button 3. Battery cartridge

To remove the battery cartridge, slide it from the tool while sliding the button on the front of the cartridge.

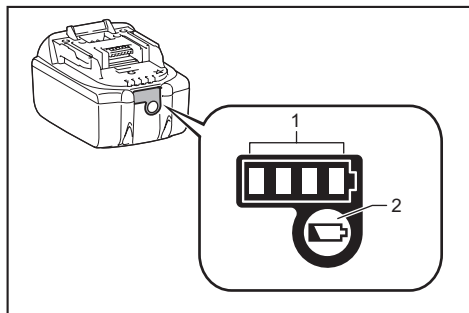
To install the battery cartridge, align the tongue on the battery cartridge with the groove in the housing and slip it into place. Insert it all the way until it locks in place with a little click. If you can see the red indicator on the upper side of the button, it is not locked completely.

**CAUTION:** Always install the battery cartridge fully until the red indicator cannot be seen. If not, it may accidentally fall out of the tool, causing injury to you or someone around you.

**CAUTION:** Do not install the battery cartridge forcibly. If the cartridge does not slide in easily, it is not being inserted correctly.

## Indicating the remaining battery capacity

Only for battery cartridges with "B" at the end of the model number



► 1. Indicator lamps 2. Check button

Press the check button on the battery cartridge to indicate the remaining battery capacity. The indicator lamps light up for few seconds.

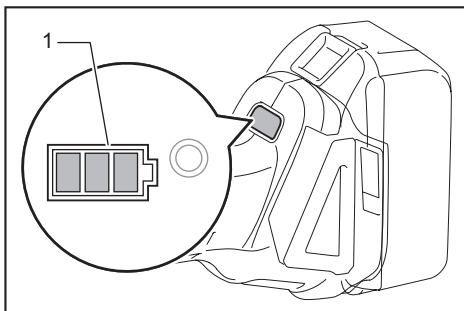
Indicator lamps			Remaining capacity
Lighted	Off	Blinking	
■ ■ ■ ■			75% to 100%
■ ■ ■ □			50% to 75%
■ ■ □ □			25% to 50%
■ □ □ □			0% to 25%
▣ □ □ □			Charge the battery.
■ ■ □ □			The battery may have malfunctioned.
□ □ ■ ■	↑ ↓		

**NOTE:** Depending on the conditions of use and the ambient temperature, the indication may differ slightly from the actual capacity.

## Indicating the remaining battery capacity

### Country specific

When you turn the tool on, the battery indicator shows the remaining battery capacity.



► 1. Battery indicator

The remaining battery capacity is shown as the following table.

Battery indicator status			Remaining battery capacity
On	Off	Blinking	
		▣	50% to 100%
		▣	20% to 50%
		▣	0% to 20%
		▣	Charge the battery

## Tool / battery protection system

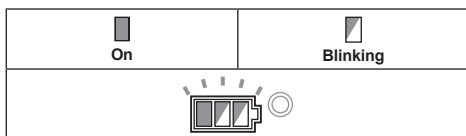
The tool is equipped with a tool/battery protection system. This system automatically cuts off power to the motor to extend tool and battery life. The tool will automatically stop during operation if the tool or battery is placed under one of the following conditions:

### Overload protection

When the tool is operated in a manner that causes it to draw an abnormally high current, the tool automatically stops without any indication. In this situation, turn the tool off and stop the application that caused the tool to become overloaded. Then turn the tool on to restart.

### Overheat protection

When the tool is overheated, the tool stops automatically and the battery indicator shows following state. In this situation, let the tool cool before turning the tool on again.



If the tool does not start, the battery may be overheated. In this situation, let the battery cool before starting the tool again.

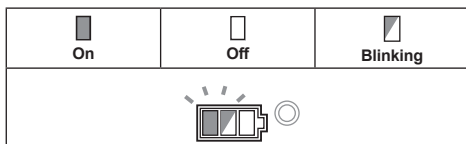
## Overdischarge protection

When the battery capacity is not enough, the tool stops automatically. In this case, remove the battery from the tool and charge the battery.

## Releasing protection lock

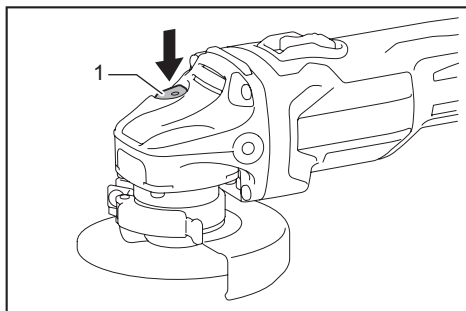
When the protection system works repeatedly, the tool is locked and the battery indicator shows the following state.

In this situation, the tool does not start even if turning the tool off and on. To release the protection lock, remove the battery, set it to the battery charger and wait until the charging finishes.



## Shaft lock

Press the shaft lock to prevent spindle rotation when installing or removing accessories.



► 1. Shaft lock

**NOTICE:** Never actuate the shaft lock when the spindle is moving. The tool may be damaged.

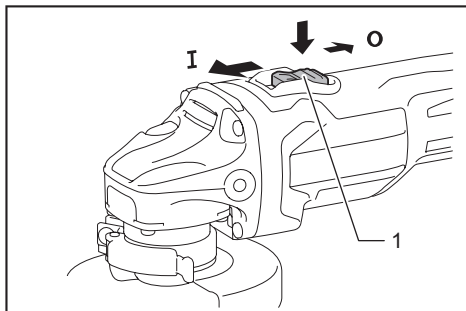
## Switch action

**CAUTION:** Before installing the battery cartridge into the tool, always check to see that the slide switch actuates properly and returns to the "OFF" position when the rear of the slide switch is depressed.

**CAUTION:** Switch can be locked in "ON" position for ease of operator comfort during extended use. Apply caution when locking tool in "ON" position and maintain firm grasp on tool.

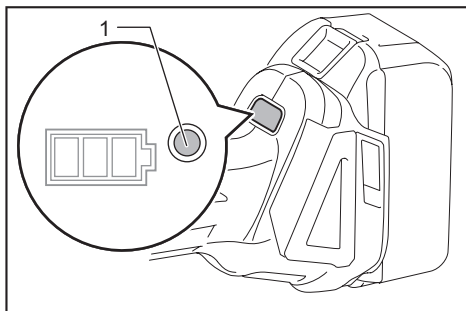
To start the tool, slide the slide switch toward the "I (ON)" position by pushing the rear of the slide switch. For continuous operation, press the front of the slide switch to lock it.

To stop the tool, press the rear of the slide switch, then slide it toward the "O (OFF)" position.





► 1. Slide switch

## Automatic speed change function



► 1. Mode indicator

Mode indicator status	Operation mode
	High speed mode
	High torque mode

This tool has "high speed mode" and "high torque mode". It automatically changes operation mode depending on the work load. When mode indicator lights up during operation, the tool is in high torque mode.



## Accidental re-start preventive function

Even if the battery cartridge is installed on the tool with the slide switch in the "I (ON)" position, the tool does not start.

To start the tool, first slide the slide switch toward the "O (OFF)" position and then slide it toward the "I (ON)" position.

## Electronic torque control function

The tool electronically detects situations where the wheel or accessory may be at risk to be bound. In the situation, the tool is automatically shut off to prevent further rotation of the spindle (it does not prevent kickback).

To restart the tool, switch off the tool first, remove the cause of sudden drop in the rotation speed, and then turn the tool on.

## Soft start feature

Soft start feature reduces starting reaction.

## Electric brake

Electric brake is activated after the tool is switched off. The brake does not work when the power supply is shut down, such as the battery is removed accidentally, with the switch still on.

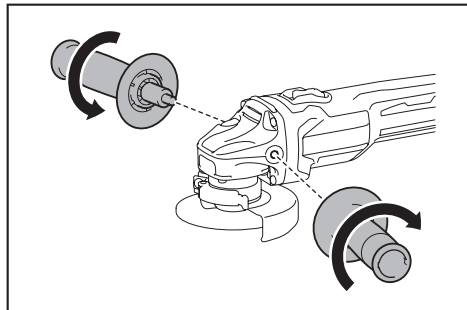
# ASSEMBLY

**CAUTION:** Always be sure that the tool is switched off and the battery cartridge is removed before adjusting or checking function on the tool.

## Installing side grip (handle)

**CAUTION:** Always be sure that the side grip is installed securely before operation.

Screw the side grip securely on the position of the tool as shown in the figure.



## Installing or removing wheel guard (For depressed center wheel, flap disc, flex wheel, wire wheel brush / abrasive cut-off wheel, diamond wheel)

**WARNING:** When using a depressed center wheel, flap disc, flex wheel or wire wheel brush, the wheel guard must be fitted on the tool so that the closed side of the guard always points toward the operator.

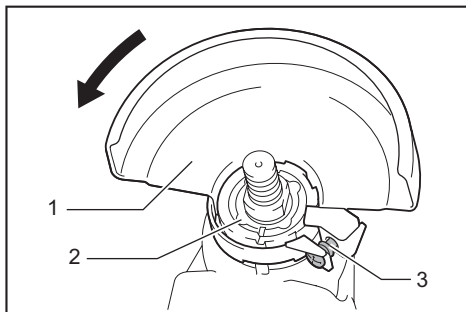
**WARNING:** When using an abrasive cut-off / diamond wheel, be sure to use only the special wheel guard designed for use with cut-off wheels.

(In some European countries, when using a diamond wheel, the ordinary guard can be used. Follow the regulations in your country.)

## For tool with locking screw type wheel guard

Mount the wheel guard with the protrusions on the wheel guard band aligned with the notches on the bearing box. Then rotate the wheel guard to such an angle that it can protect the operator according to work. Be sure to tighten the screw securely.

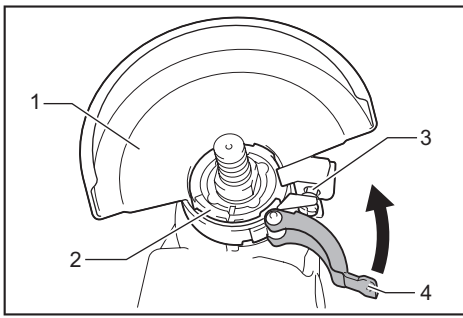
To remove wheel guard, follow the installation procedure in reverse.



► 1. Wheel guard 2. Bearing box 3. Screw

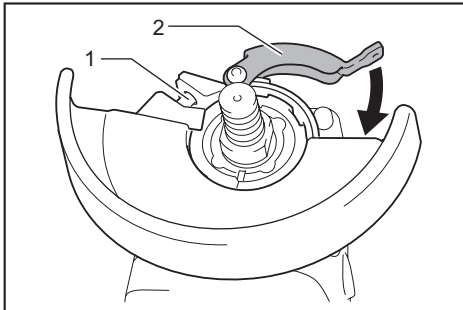
## For tool with clamp lever type wheel guard

Loosen the screw, and then pull the lever in the direction of the arrow. Mount the wheel guard with the protrusions on the wheel guard band aligned with the notches on the bearing box. Then rotate the wheel guard to such an angle that it can protect the operator according to work.



► 1. Wheel guard 2. Bearing box 3. Screw 4. Lever

Pull the lever in direction of the arrow. Then tighten the wheel guard with fastening the screw. Be sure to tighten the screw securely. The setting angle of the wheel guard can be adjusted with the lever.



► 1. Screw 2. Lever

To remove wheel guard, follow the installation procedure in reverse.

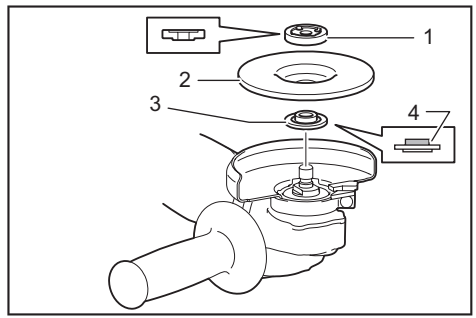
## Installing or removing depressed center wheel or flap disc

### Optional accessory

**⚠ WARNING:** When using a depressed center wheel or flap disc, the wheel guard must be fitted on the tool so that the closed side of the guard always points toward the operator.

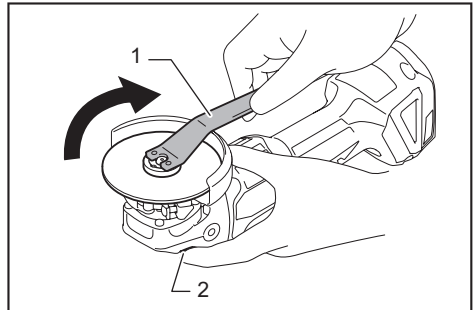
**⚠ CAUTION:** Make sure that the mounting part of the inner flange fits into the inner diameter of the depressed center wheel / flap disc perfectly. Mounting the inner flange on the wrong side may result in the dangerous vibration.

Mount the inner flange onto the spindle. Make sure to fit the dented part of the inner flange onto the straight part at the bottom of the spindle. Fit the depressed center wheel / flap disc on the inner flange and screw the lock nut onto the spindle.



► 1. Lock nut 2. Depressed center wheel 3. Inner flange 4. Mounting part

To tighten the lock nut, press the shaft lock firmly so that the spindle cannot revolve, then use the lock nut wrench and securely tighten clockwise.



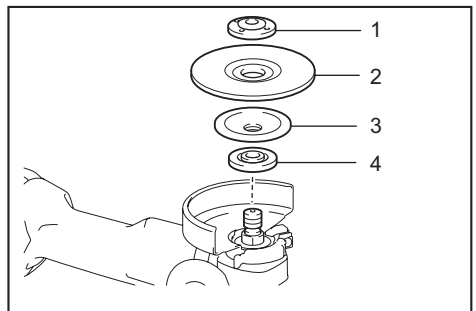
► 1. Lock nut wrench 2. Shaft lock

To remove the wheel, follow the installation procedure in reverse.

## Installing or removing flex wheel

### Optional accessory

**⚠ WARNING:** Always use supplied guard when flex wheel is on tool. Wheel can shatter during use and guard helps to reduce chances of personal injury.



► 1. Lock nut 2. Flex wheel 3. Back up pad 4. Inner flange

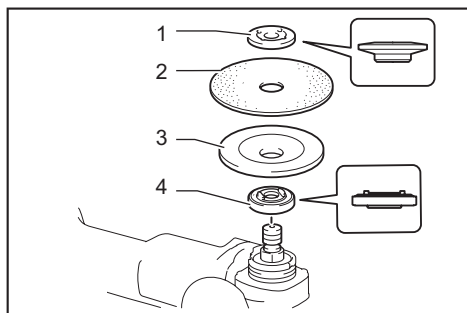
Follow instructions for depressed center wheel but also use back up pad over wheel. See order of assembly on accessories page in this manual.

## Installing or removing abrasive disc

### Optional accessory

**NOTE:** Use sander accessories specified in this manual. These must be purchased separately.

### For 100 mm (4") model

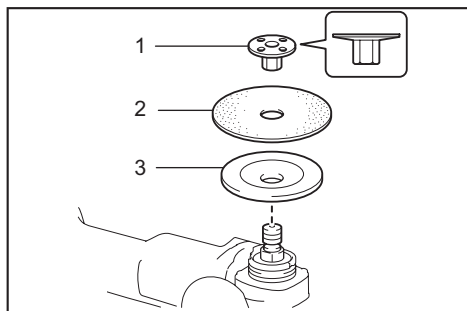


- 1. Sanding lock nut 2. Abrasive disc 3. Rubber pad 4. Inner flange

1. Mount the inner flange onto the spindle.
2. Mount the rubber pad onto the spindle.
3. Fit the disc on the rubber pad and screw the sanding lock nut onto the spindle.
4. Hold the spindle with the shaft lock, and securely tighten the sanding lock nut clockwise with the lock nut wrench.

To remove the disc, follow the installation procedure in reverse.

### For 115 mm (4 - 1/2") / 125 mm (5") model



- 1. Sanding lock nut 2. Abrasive disc 3. Rubber pad

1. Mount the rubber pad onto the spindle.
2. Fit the disc on the rubber pad and screw the sanding lock nut onto the spindle.
3. Hold the spindle with the shaft lock, and securely tighten the sanding lock nut clockwise with the lock nut wrench.

To remove the disc, follow the installation procedure in reverse.

## OPERATION

**⚠WARNING:** It should never be necessary to force the tool. The weight of the tool applies adequate pressure. Forcing and excessive pressure could cause dangerous wheel breakage.

**⚠WARNING:** ALWAYS replace wheel if tool is dropped while grinding.

**⚠WARNING:** NEVER bang or hit grinding disc or wheel onto work.

**⚠WARNING:** Avoid bouncing and snagging the wheel, especially when working corners, sharp edges etc. This can cause loss of control and kickback.

**⚠WARNING:** NEVER use tool with wood cutting blades and other saw blades. Such blades when used on a grinder frequently kick and cause loss of control leading to personal injury.

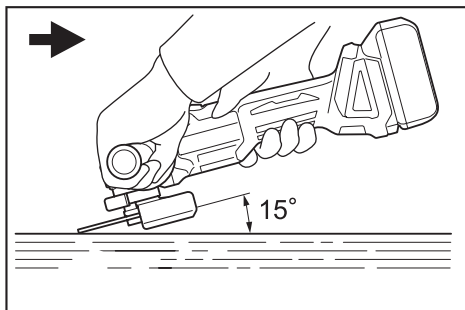
**⚠CAUTION:** Never switch on the tool when it is in contact with the workpiece, it may cause an injury to operator.

**⚠CAUTION:** Always wear safety goggles or a face shield during operation.

**⚠CAUTION:** After operation, always switch off the tool and wait until the wheel has come to a complete stop before putting the tool down.

**⚠CAUTION:** ALWAYS hold the tool firmly with one hand on housing and the other on the side handle.

### Grinding and sanding operation



Turn the tool on and then apply the wheel or disc to the workpiece.

In general, keep the edge of the wheel or disc at an angle of about 15° to the workpiece surface.

During the break-in period with a new wheel, do not work the grinder in forward direction or it may cut into the workpiece. Once the edge of the wheel has been rounded off by use, the wheel may be worked in both forward and backward direction.

## Operation with abrasive cut-off / diamond wheel

### Optional accessory

**⚠ WARNING:** When using an abrasive cut-off / diamond wheel, be sure to use only the special wheel guard designed for use with cut-off wheels.

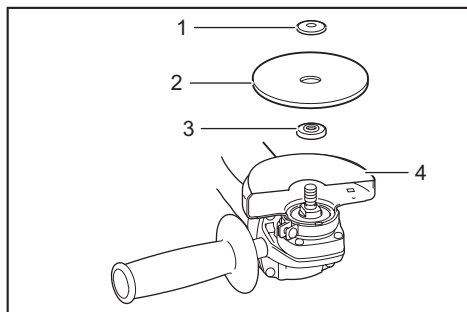
**⚠ WARNING:** NEVER use cut-off wheel for side grinding.

**⚠ WARNING:** Do not "jam" the wheel or apply excessive pressure. Do not attempt to make an excessive depth of cut. Overstressing the wheel increases the loading and susceptibility to twisting or binding of the wheel in the cut and the possibility of kickback, wheel breakage and overheating of the motor may occur.

**⚠ WARNING:** Do not start the cutting operation in the workpiece. Let the wheel reach full speed and carefully enter into the cut moving the tool forward over the workpiece surface. The wheel may bind, walk up or kickback if the power tool is started in the workpiece.

**⚠ WARNING:** During cutting operations, never change the angle of the wheel. Placing side pressure on the cut-off wheel (as in grinding) will cause the wheel to crack and break, causing serious personal injury.

**⚠ WARNING:** A diamond wheel shall be operated perpendicular to the material being cut.



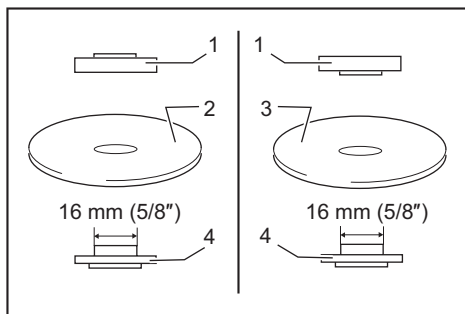
- ▶ 1. Lock nut 2. Abrasive cut-off wheel / diamond wheel 3. Inner flange 4. Wheel guard for abrasive cut-off wheel / diamond wheel

As for the installation, follow the instructions for depressed center wheel.

The direction for mounting the lock nut and the inner flange varies by wheel type and thickness. Refer to the following figures.

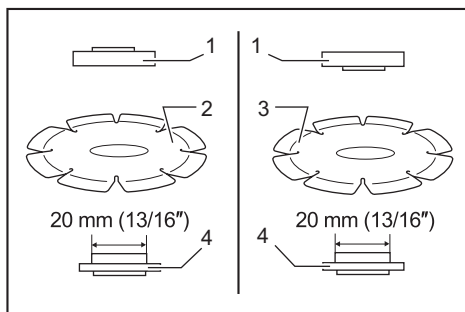
## For 100 mm (4") model

When installing the abrasive cut-off wheel:



- ▶ 1. Lock nut 2. Abrasive cut-off wheel (Thinner than 4mm (5/32")) 3. Abrasive cut-off wheel (4mm (5/32") or thicker) 4. Inner flange

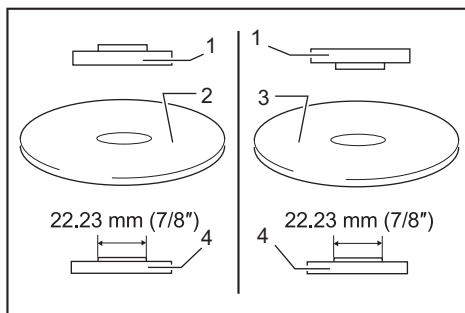
When installing the diamond wheel:



- ▶ 1. Lock nut 2. Diamond wheel (Thinner than 4mm (5/32")) 3. Diamond wheel (4mm (5/32") or thicker) 4. Inner flange

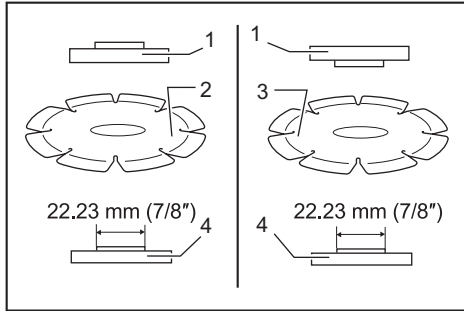
## For 115 mm (4 - 1/2") / 125 mm (5") model

When installing the abrasive cut-off wheel:



- ▶ 1. Lock nut 2. Abrasive cut-off wheel (Thinner than 4mm (5/32")) 3. Abrasive cut-off wheel (4mm (5/32") or thicker) 4. Inner flange

## When installing the diamond wheel:



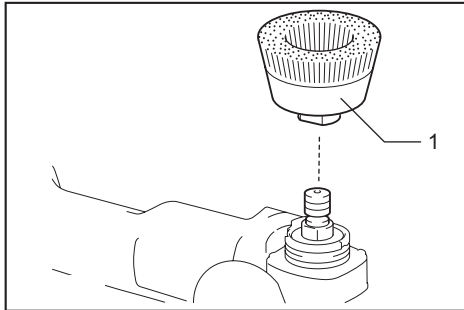
- ▶ 1. Lock nut 2. Diamond wheel (Thinner than 4mm (5/32")) 3. Diamond wheel (4mm (5/32") or thicker)
- 4. Inner flange

## Operation with wire cup brush

### Optional accessory

**CAUTION:** Check operation of brush by running tool with no load, insuring that no one is in front of or in line with brush.

**CAUTION:** Do not use brush that is damaged, or which is out of balance. Use of damaged brush could increase potential for injury from contact with broken brush wires.



- ▶ 1. Wire cup brush

Remove the battery cartridge from the tool and place it upside down allowing easy access to spindle. Remove any accessories on spindle. Thread wire cup brush onto spindle and tighten with supplied wrench.

**NOTICE:** Avoid applying too much pressure which causes over bending of wires when using brush. It may lead to premature breakage.

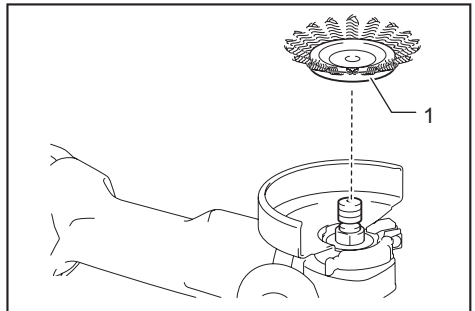
## Operation with wire wheel brush

### Optional accessory

**CAUTION:** Check operation of wire wheel brush by running tool with no load, insuring that no one is in front of or in line with the wire wheel brush.

**CAUTION:** Do not use wire wheel brush that is damaged, or which is out of balance. Use of damaged wire wheel brush could increase potential for injury from contact with broken wires.

**CAUTION:** ALWAYS use guard with wire wheel brushes, assuring diameter of wheel fits inside guard. Wheel can shatter during use and guard helps to reduce chances of personal injury.



- ▶ 1. Wire wheel brush

Remove the battery cartridge from the tool and place it upside down allowing easy access to spindle. Remove any accessories on spindle. Thread wire wheel brush onto spindle and tighten with the wrenches.

**NOTICE:** Avoid applying too much pressure which causes over bending of wires when using wire wheel brush. It may lead to premature breakage.

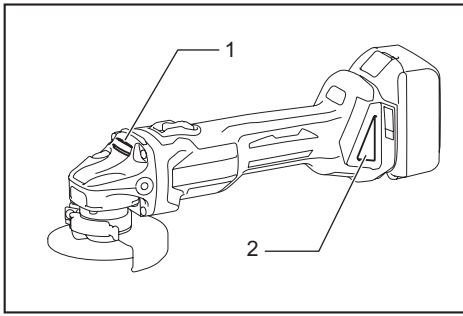
## MAINTENANCE

**CAUTION:** Always be sure that the tool is switched off and the battery cartridge is removed before attempting to perform inspection or maintenance.

**NOTICE:** Never use gasoline, benzine, thinner, alcohol or the like. Discoloration, deformation or cracks may result.

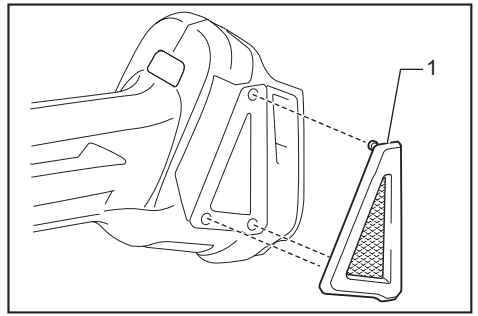
## Air vent cleaning

The tool and its air vents have to be kept clean. Regularly clean the tool's air vents or whenever the vents start to become obstructed.



► 1. Exhaust vent 2. Inhalation vent

Remove the dust cover from inhalation vent and clean it for smooth air circulation.



► 1. Dust cover

**NOTE:** Clean out the dust cover when it is clogged with dust or foreign matters. Continuing operation with a clogged dust cover may damage the tool.

## OPTIONAL ACCESSORIES

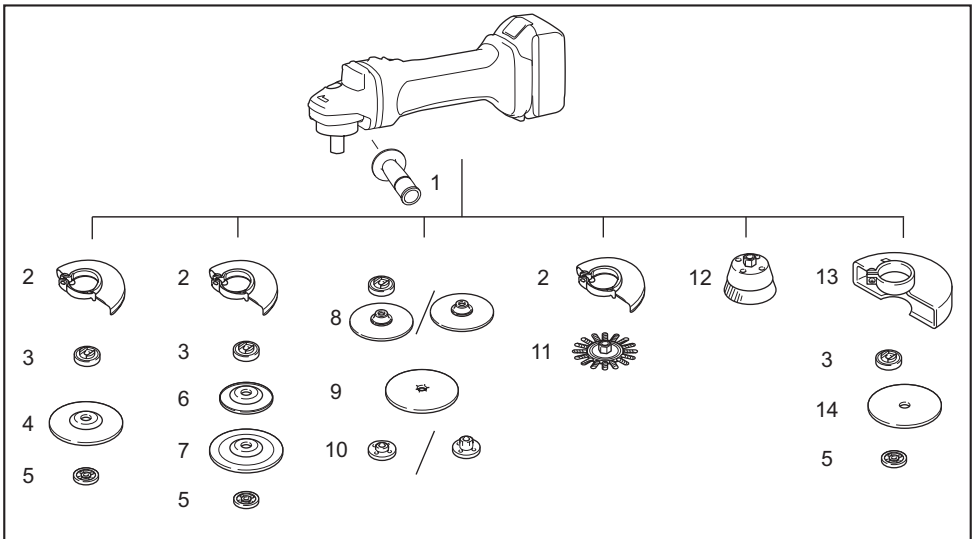
**CAUTION:** These accessories or attachments are recommended for use with your Makita tool specified in this manual. The use of any other accessories or attachments might present a risk of injury to persons. Only use accessory or attachment for its stated purpose.

**CAUTION:** Your tool is supplied with a guard for use with any recommended grinding wheel, multi-disc, flex wheel and wire wheel brush. If a diamond wheel and/or cut-off wheel are also available for use with the tool, they should only be used with the appropriate optional guard for cut-off wheels.

If you decide to use your Makita grinder with approved accessories which you purchase from your Makita distributor or factory service center, be sure to obtain and use all necessary fasteners and guards as recommended in this manual. Your failure to do so could result in personal injury to you and others.

If you need any assistance for more details regarding these accessories, ask your local Makita Service Center.

- Makita genuine battery and charger



-	100 mm (4") model	115 mm (4-1/2") model	125 mm (5") model
1	Grip 36		
2	Wheel Guard (for grinding wheel)		
3	Inner flange 35	Inner flange 45	
4	Depressed center wheel / Multi-disc		
5	Lock nut 10-35	Lock nut 5/8-45	
6	Back up pad		
7	Flex wheel		
8	Inner flange and rubber pad 76	Rubber pad 100	Rubber pad 115
9	Abrasive disc		
10	Sanding lock nut 10-30	Sanding lock nut 5/8-48	
11	Wire wheel brush		
12	Wire cup brush		
13	Wheel Guard (for cut-off wheel)		
14	Abrasive cut-off wheel / Diamond wheel		
-	Lock nut wrench 20	Lock nut wrench 28	

**NOTE:** Some items in the list may be included in the tool package as standard accessories. They may differ from country to country.

## MAKITA LIMITED ONE YEAR WARRANTY

### Warranty Policy

Every Makita tool is thoroughly inspected and tested before leaving the factory. It is warranted to be free of defects from workmanship and materials for the period of ONE YEAR from the date of original purchase.

Should any trouble develop during this one year period, return the COMPLETE tool, freight prepaid, to one of Makita's Factory or Authorized Service Centers. If inspection shows the trouble is caused by defective workmanship or material, Makita will repair (or at our option, replace) without charge.

This Warranty does not apply where:

- repairs have been made or attempted by others:
- repairs are required because of normal wear and tear:
- the tool has been abused, misused or improperly maintained:
- alterations have been made to the tool.

IN NO EVENT SHALL MAKITA BE LIABLE FOR ANY INDIRECT, INCIDENTAL OR CONSEQUENTIAL DAMAGES FROM THE SALE OR USE OF THE PRODUCT. THIS DISCLAIMER APPLIES BOTH DURING AND AFTER THE TERM OF THIS WARRANTY.

MAKITA DISCLAIMS LIABILITY FOR ANY IMPLIED WARRANTIES, INCLUDING IMPLIED WARRANTIES OF "MERCHANTABILITY" AND "FITNESS FOR A SPECIFIC PURPOSE," AFTER THE ONE YEAR TERM OF THIS WARRANTY.

This Warranty gives you specific legal rights, and you may also have other rights which vary from state to state. Some states do not allow the exclusion or limitation of incidental or consequential damages, so the above limitation or exclusion may not apply to you. Some states do not allow limitation on how long an implied warranty lasts, so the above limitation may not apply to you.

## SPÉCIFICATIONS

Modèle :		DGA406	DGA456	DGA506
Diamètre de la meule		100 mm (4")	115 mm (4-1/2")	125 mm (5")
Épaisseur de meule max.		6,4 mm (1/4")		
Filetage de l'arbre		M10 x 1,25	5/8"	
Vitesse nominale (n)		8 500 /min		
Longueur totale	Avec batterie BL1815N, BL1820, BL1820B	348 mm (13-3/4")		
	Avec batterie BL1830, BL1830B, BL1840, BL1840B, BL1850, BL1850B, BL1860B	362 mm (14-1/4")		
Poids net	Avec batterie BL1815N, BL1820, BL1820B	2,2 kg (4,9 lbs)	2,3 kg (5,1 lbs)	2,3 kg (5,2 lbs)
	Avec batterie BL1830, BL1830B, BL1840, BL1840B, BL1850, BL1850B, BL1860B	2,5 kg (5,4 lbs)	2,6 kg (5,7 lbs)	
Tension nominale		C.C. 18 V		
Batterie standard		BL1815N, BL1820, BL1820B, BL1830, BL1830B, BL1840, BL1840B, BL1850, BL1850B, BL1860B		

- Étant donné l'évolution constante de notre programme de recherche et développement, les spécifications contenues dans ce manuel sont sujettes à modification sans préavis.
- Les spécifications et la batterie peuvent varier suivant les pays.
- Poids, batterie comprise, conforme à la procédure EPTA 01/2003

### Consignes de sécurité générales pour outils électriques

**⚠ MISE EN GARDE :** Lisez toutes les consignes de sécurité et toutes les instructions. L'ignorance des mises en garde et des instructions comporte un risque de choc électrique, d'incendie et/ou de blessure grave.

### Conservez toutes les mises en garde et instructions pour référence future.

Le terme « outil électrique » qui figure dans les avertissements fait référence à un outil électrique branché sur une prise de courant (par un cordon d'alimentation) ou alimenté par batterie (sans fil).

#### Sécurité de la zone de travail

1. **Maintenez la zone de travail propre et bien éclairée.** Les zones de travail encombrées ou sombres ouvrent grande la porte aux accidents.
2. **N'utilisez pas les outils électriques dans les atmosphères explosives, par exemple en présence de liquides, gaz ou poussières inflammables.** Les outils électriques produisent des étincelles au contact desquelles la poussière ou les vapeurs peuvent s'enflammer.
3. **Assurez-vous qu'aucun enfant ou curieux ne s'approche pendant que vous utilisez un outil électrique.** Vous risquez de perdre la maîtrise de l'outil si votre attention est détournée.

#### Sécurité en matière d'électricité

1. **Les fiches d'outil électrique sont conçues pour s'adapter parfaitement aux prises de courant. Ne modifiez jamais la fiche de quelque façon que ce soit. N'utilisez aucun adaptateur de fiche sur les outils électriques avec mise à la terre.** En ne modifiant pas les fiches et en les insérant dans des prises de courant pour lesquelles elles ont été conçues, vous réduirez les risques de choc électrique.
2. **Évitez tout contact corporel avec les surfaces mises à la terre, telles que tuyaux, radiateurs, cuisinières et réfrigérateurs.** Le risque de choc électrique est plus élevé si votre corps se trouve mis à la terre.
3. **N'exposez pas les outils électriques à la pluie ou à l'eau.** La présence d'eau dans un outil électrique augmente le risque de choc électrique.
4. **Ne maltraitez pas le cordon. N'utilisez jamais le cordon pour transporter, tirer ou débrancher l'outil électrique. Maintenez le cordon à l'écart des sources de chaleur, de l'huile, des objets à bords tranchants et des pièces en mouvement.** Le risque de choc électrique est plus élevé lorsque les cordons sont endommagés ou enchevêtrés.
5. **Lorsque vous utilisez un outil électrique à l'extérieur, utilisez un cordon prolongateur conçu pour l'usage extérieur.** Les risques de choc électrique est moindre lorsqu'un cordon conçu pour l'usage extérieur est utilisé.
6. **Si vous devez utiliser un outil électrique dans un endroit humide, utilisez une source d'alimentation protégée par un disjoncteur de fuite à la terre.** L'utilisation d'un disjoncteur de fuite à la terre réduit le risque de choc électrique.



## Sécurité personnelle

1. **Restez alerte, attentif à vos mouvements et faites preuve de bon sens lorsque vous utilisez un outil électrique. N'utilisez pas les outils électriques si vous êtes fatigué ou avez pris une drogue, de l'alcool ou un médicament.** Un moment d'inattention pendant l'utilisation d'un outil électrique peut entraîner une grave blessure.
2. **Portez des dispositifs de protection personnelle. Portez toujours une protection oculaire.** Les risques de blessure seront moins élevés si vous utilisez des dispositifs de protection tels qu'un masque anti-poussière, des chaussures à semelle antidérapante, une coiffure résistante ou une protection d'oreilles.
3. **Évitez les démarrages accidentels. Assurez-vous que l'interrupteur est en position d'arrêt avant de brancher l'outil à la prise de courant et/ou au bloc-piles, et avant de prendre ou de transporter l'outil.** Vous ouvrez la porte aux accidents si vous transportez les outils électriques avec le doigt sur l'interrupteur ou si vous les branchez alors que l'interrupteur est en position de marche.
4. **Retirez toute clé de réglage ou de serrage avant de mettre l'outil électrique sous tension.** Toute clé laissée en place sur une pièce rotative de l'outil électrique peut entraîner une blessure.
5. **Ne vous étirez pas exagérément. Assurez-vous d'une bonne prise au sol et d'un bon équilibre en tout temps.** Cela vous permettra d'avoir une meilleure maîtrise de l'outil électrique dans les situations imprévues.
6. **Portez des vêtements adéquats. Ne portez ni vêtements amples ni bijoux. Vous devez maintenir cheveux, vêtements et gants à l'écart des pièces en mouvement.** Les pièces en mouvement peuvent happer les vêtements amples, les bijoux et les cheveux longs.
7. **Si des accessoires sont fournis pour raccorder un appareil d'aspiration et de collecte de la poussière, assurez-vous qu'ils sont correctement raccordés et qu'ils sont utilisés de manière adéquate.** L'utilisation d'un appareil de collecte permet de réduire les risques liés à la présence de poussière dans l'air.

## Utilisation et entretien des outils électriques

1. **Ne forcez pas l'outil électrique. Utilisez l'outil électrique adéquat suivant le type de travail à effectuer.** Si vous utilisez l'outil électrique adéquat et respectez le régime pour lequel il a été conçu, il effectuera un travail de meilleure qualité et plus sécuritaire.
2. **N'utilisez pas l'outil électrique s'il n'est pas possible de l'allumer et de l'éteindre avec son interrupteur.** Un outil électrique dont l'interrupteur est défectueux représente un danger et doit être réparé.
3. **Débranchez la fiche de la source d'alimentation et/ou retirez le bloc-piles de l'outil électrique avant d'effectuer tout réglage, de remplacer un accessoire ou de ranger l'outil électrique.** De telles mesures préventives réduisent les risques de démarrage accidentel de l'outil électrique.

4. **Après l'utilisation d'un outil électrique, rangez-le hors de portée des enfants et ne laissez aucune personne l'utiliser si elle n'est pas familiarisée avec l'outil électrique ou les présentes instructions d'utilisation.** Les outils électriques représentent un danger entre les mains de personnes qui n'en connaissent pas le mode d'utilisation.
5. **Veillez à l'entretien des outils électriques. Assurez-vous que les pièces mobiles ne sont pas désalignées ou coincées, qu'aucune pièce n'est cassée et que l'outil électrique n'a subi aucun dommage affectant son bon fonctionnement. Le cas échéant, faites réparer l'outil électrique avant de l'utiliser.** De nombreux accidents sont causés par des outils électriques mal entretenus.
6. **Maintenez les outils tranchants bien aiguisés et propres.** Un outil tranchant dont l'entretien est effectué correctement et dont les bords sont bien aiguisés risquera moins de se coincer et sera plus facile à maîtriser.
7. **Utilisez l'outil électrique, ses accessoires, ses embouts, etc., en respectant les présentes instructions, en tenant compte des conditions de travail et du type de travail à effectuer.** L'utilisation d'un outil électrique pour d'autres usages que ceux prévus peut entraîner une situation dangereuse.

## Utilisation et entretien des outils alimentés par batterie

1. **Pour recharger, utilisez uniquement le chargeur spécifié par le fabricant.** L'utilisation d'un chargeur conçu pour un type donné de bloc-piles comporte un risque d'incendie lorsqu'il est utilisé avec un autre type de bloc-piles.
2. **N'utilisez un outil électrique qu'avec le bloc-piles conçu spécifiquement pour cet outil.** Il y a risque de blessure ou d'incendie si un autre bloc-piles est utilisé.
3. **Lorsque vous n'utilisez pas le bloc-piles, rangez-le à l'écart des objets métalliques tels que trombones, pièces de monnaie, clés, clous, vis ou autres petits objets métalliques qui risqueraient d'établir une connexion entre les bornes.** La mise en court-circuit des bornes de batterie peut causer des brûlures ou un incendie.
4. **Dans des conditions d'utilisation inadéquates de la batterie, il peut y avoir fuite d'électrolyte; évitez tout contact avec ce liquide. En cas de contact accidentel, rincez avec beaucoup d'eau. Si le liquide pénètre dans vos yeux, il faut aussi consulter un médecin.** L'électrolyte qui s'échappe de la batterie peut causer des irritations ou des brûlures.

## Réparation

1. **Faites réparer votre outil électrique par un réparateur qualifié qui utilise des pièces de rechange identiques aux pièces d'origine.** Le maintien de la sûreté de l'outil électrique sera ainsi assuré.
2. **Suivez les instructions de lubrification et de remplacement des accessoires.**
3. **Maintenez les poignées de l'outil sèches, propres et exemptes d'huile ou de graisse.**

## Consignes de sécurité pour meuleuse sans fil

Consignes de sécurité communes aux travaux de meulage, ponçage, brossage métallique et tronçonnage abrasif :

- Cet outil électrique est conçu pour fonctionner en tant que meuleuse, ponceuse, brosse métallique ou outil de tronçonnage. Lisez toutes les mises en garde, instructions, illustrations et spécifications qui accompagnent cet outil électrique.** Il y a risque de décharge électrique, d'incendie et/ou de blessure grave si les instructions ci-dessous ne sont pas respectées.
  - Il n'est pas recommandé d'effectuer des travaux tels que le polissage avec cet outil électrique.** Les travaux pour lequel l'outil électrique n'a pas été conçu peuvent engendrer un danger et causer des blessures.
  - N'utilisez pas d'accessoires non conçus spécifiquement pour l'outil et non recommandés par le fabricant de l'outil.** Même si un accessoire peut être fixé à votre outil électrique, cela ne garantit pas son fonctionnement sécuritaire.
  - La vitesse nominale de l'accessoire doit être au moins égale à la vitesse maximale inscrite sur l'outil électrique.** En tournant plus vite que leur vitesse nominale, les accessoires peuvent casser et voler en éclats.
  - Le diamètre extérieur et l'épaisseur de votre accessoire ne doivent pas dépasser la capacité nominale de votre outil électrique.** Il est impossible de protéger ou de contrôler adéquatement les accessoires d'une dimension inappropriée.
  - Le montage fileté des accessoires doit correspondre au filetage de l'arbre de la meuleuse. Pour les accessoires montés à l'aide de flasques, le diamètre intérieur de l'accessoire doit correspondre au diamètre de positionnement du flasque.** Les accessoires non adaptés aux pièces de montage de l'outil électrique se déséquilibreront, vibreront excessivement et risqueront d'entraîner une perte de contrôle.
  - N'utilisez pas un accessoire endommagé. Avant chaque utilisation, inspectez les accessoires pour vérifier l'absence de copeaux et fissures sur les accessoires tels que les meules abrasives, l'absence de fissures ou d'usure excessive sur le tampon d'appoint, et l'absence de fils lâches ou fissurés sur la brosse métallique. Si vous échappez l'outil électrique ou un accessoire, assurez-vous de l'absence de dommages ou installez un accessoire non endommagé. Après avoir vérifié et installé un accessoire, assurez-vous que personne, y compris vous-même, ne se trouve dans la trajectoire de l'accessoire en rotation, et faites tourner l'outil électrique à vide et à vitesse maximale pendant une minute.** Si l'accessoire est endommagé, il devrait normalement se casser pendant cet essai.
- Portez des dispositifs de sécurité personnelle.** Suivant le type d'utilisation, portez un écran facial, des lunettes à coques ou des lunettes de sécurité. Au besoin, portez un masque antipoussières, des protections d'oreilles, des gants et un tablier de travail assez épais pour arrêter les petits fragments abrasifs ou les fragments de pièce. La protection oculaire utilisée doit pouvoir protéger contre les débris projetés lors des divers travaux. Le masque antipoussières ou le respirateur doit pouvoir filtrer les particules générées par votre travail. L'exposition trop longue à un bruit très intense peut entraîner des lésions de l'ouïe.
  - Tenez toutes les personnes présentes à une distance sécuritaire de votre zone de travail. Toute personne pénétrant dans votre zone de travail doit porter des dispositifs de protection personnelle.** Des fragments de pièce ou d'un accessoire cassé peuvent s'envoler et blesser quelqu'un même au-delà de la zone de travail immédiate.
  - Tenez l'outil électrique par ses surfaces de prise isolées, pendant toute utilisation où l'accessoire de coupe pourrait venir en contact avec un câblage dissimulé.** En cas de contact avec un fil sous tension, les pièces métalliques à découvert de l'outil électrique deviendraient également sous tension et risqueraient de transmettre une décharge à l'utilisateur.
  - Ne reposez jamais l'outil électrique tant que l'accessoire ne s'est pas complètement immobilisé.** L'accessoire en rotation risquerait d'accrocher la surface et d'entraîner la perte de maîtrise de l'outil électrique.
  - Ne faites pas fonctionner l'outil électrique lorsque vous le transportez.** Un contact accidentel avec l'accessoire en rotation pourrait accrocher vos vêtements et entraîner l'accessoire vers votre corps.
  - Nettoyez régulièrement les orifices d'aération de l'outil électrique.** Le ventilateur du moteur aspire les poussières à l'intérieur du boîtier, et l'accumulation excessive de métal en poudre peut entraîner un risque électrique.
  - N'utilisez pas l'outil électrique près de matériaux inflammables.** Les étincelles risqueraient de faire prendre en feu ces matériaux.
  - N'utilisez pas d'accessoires qui requièrent un liquide de refroidissement.** L'utilisation d'eau ou autre liquide de refroidissement peut entraîner une électrocution ou une décharge électrique.

### Recul et mises en gardes connexes

Le recul est une réaction brusque qui se produit lorsqu'une meule en rotation, un tampon d'appoint, une brosse ou autre accessoire se coince ou accroche. Le coincement ou l'accrochage entraîne l'arrêt rapide de l'accessoire en rotation, ce qui en retour propulse l'outil électrique hors de contrôle dans le sens opposé à la rotation de l'accessoire au point de grippage. Par exemple, si une meule abrasive accroche dans la pièce ou s'y coince, le bord de la meule, au point où elle se coince, plongera dans le matériau, faisant du même coup remonter ou reculer la meule hors de la pièce. La meule peut alors bondir vers l'utilisateur ou dans le sens opposé, selon la direction du mouvement de la meule au point de coïncage. Les meules abrasives peuvent également se casser dans ces conditions.

Le recul est le résultat d'une mauvaise utilisation de l'outil électrique et/ou de mauvaises méthodes ou conditions d'utilisation ; on peut l'éviter en prenant les précautions adéquates indiquées ci-dessous.

1. **Maintenez une prise ferme sur l'outil électrique, et placez votre corps et votre bras de manière à pouvoir résister aux forces de recul. Utilisez toujours la poignée auxiliaire, le cas échéant, pour contrôler au maximum le recul ou la réaction de couple durant le démarrage.** Si les précautions adéquates sont prises, l'utilisateur peut contrôler les réactions de couple ou les forces de recul.
2. **Ne mettez jamais votre main près de l'accessoire en rotation.** L'accessoire pourrait reculer sur votre main.
3. **Ne placez pas votre corps dans la zone où l'outil électrique se déplacera en cas de recul.** Le recul propulsera l'outil dans le sens opposé au mouvement de la meule au point d'accrochage.
4. **Soyez tout particulièrement prudent lorsque vous travaillez dans les coins, sur les rebords aigus, etc.** Évitez de faire bondir ou accrocher l'accessoire. Les coins, les rebords aigus ou les rebondissements ont tendance à provoquer un accrochage de l'accessoire en rotation et à causer une perte de contrôle ou un recul.
5. **Ne fixez pas de chaîne de scie, de lame de sculpture ou de lame de scie dentée.** De telles lames créent fréquemment un recul et une perte de contrôle.

#### Consignes de sécurité spécifiques aux travaux de meulage et de tronçonnage abrasif :

1. **Utilisez uniquement des meules du type recommandé pour votre outil électrique, et les protecteurs spécifiquement conçus pour la meule sélectionnée.** Les meules pour lesquelles l'outil électrique n'a pas été conçu ne peuvent être adéquatement protégées et sont dangereuses.
2. **La surface de meulage des meules à moyeu déporté doit être montée sous le plan de la lèvre du protecteur.** Une meule mal montée qui dépasse le plan de la lèvre ne peut être adéquatement protégée.
3. **Le protecteur doit être solidement fixé à l'outil électrique et positionné pour un maximum de sécurité, afin qu'un minimum de meule soit exposé vers l'utilisateur.** Le protecteur aide à protéger l'utilisateur des fragments cassés de meule, d'un contact accidentel avec la meule et des étincelles qui peuvent mettre feu aux vêtements.
4. **Les meules ne doivent être utilisées que pour les applications recommandées. Exemple : ne meulez pas avec le côté de la meule tronçonneuse.** Les meules tronçonneuses abrasives sont conçues pour le meulage périphérique. Elles peuvent voler en éclats sous l'effet d'une force latérale.
5. **Utilisez toujours des flasques de meule en parfait état et dont la taille et la forme correspondent à la meule sélectionnée.** Les flasques de meule adéquats, en soutenant la meule, réduisent les risques de rupture de la meule. Les flasques des meules tronçonneuses peuvent être différents des flasques de meule.

6. **N'utilisez pas les meules usées d'outils électriques plus gros.** Une meule conçue pour un outil électrique plus gros n'est pas adéquate pour la vitesse plus élevée d'un outil plus petit, et elle peut voler en éclats.

#### Consignes de sécurité additionnelles pour travaux de tronçonnage abrasif :

1. **Ne « bloquez » pas la meule tronçonneuse et n'appliquez pas de pression excessive. N'essayez pas de faire une coupe trop profonde.** Une surcharge de la meule augmente la charge et le risque de torsion ou coincement de la meule dans la coupe et la possibilité de recul ou de cassure de la meule.
2. **Ne mettez pas votre corps droit derrière la meule en rotation.** Même si la meule, en cours de fonctionnement, s'éloigne de votre corps, un recul éventuel peut projeter la meule en rotation et l'outil électrique directement vers vous.
3. **Lorsque la meule se coince ou que vous interrompez une coupe pour une raison quelconque, éteignez l'outil électrique et maintenez-le immobile jusqu'à ce que la meule s'arrête complètement. Ne cherchez jamais à sortir la meule tronçonneuse de l'entaille pendant que la meule est encore en mouvement, car vous vous exposeriez à un recul.** Si la meule a tendance à se coincer, recherchez-en la cause et apportez les correctifs appropriés.
4. **Ne redémarrez pas le travail de coupe dans la pièce. Laissez la meule atteindre sa pleine vitesse et remplacez avec précaution l'outil dans l'entaille.** La meule peut se coincer, remonter ou provoquer un recul si l'outil électrique est redémarré dans la pièce.
5. **Assurez un soutien aux panneaux ou à toute pièce surdimensionnée pour réduire le risque de coincement de la meule ou de recul.** Les grandes pièces ont tendance à s'affaisser sous leur propre poids. Placez des points d'appui sous la pièce près de la ligne de coupe et près des bords de la pièce des deux côtés de la meule.
6. **Soyez particulièrement prudent lorsque vous découpez une ouverture dans une cloison existante ou tout autre matériau dont l'arrière n'est pas visible.** En dépassant, la meule pourrait couper une conduite de gaz ou d'eau, des fils électriques ou des objets qui risquent de provoquer un recul.

#### Consignes de sécurité spécifiques au ponçage :

1. **N'utilisez pas un papier de disque de ponçage excessivement grand. Lors de la sélection du papier de ponçage, respectez les recommandations du fabricant.** Un papier de ponçage plus grand que le plateau de ponçage présente un risque de laceration et peut causer l'accrochage et la déchirure du disque, ou un recul.

#### Consignes de sécurité spécifiques au brossage métallique :

1. **Soyez conscient du fait que des poils de fils métalliques sont éjectés par le brossage pendant l'utilisation ordinaire. Ne malmenez pas les fils métalliques en appliquant une charge excessive à la brosse.** Les poils de fils métalliques pénètrent facilement dans les vêtements légers et/ou dans la peau.

- Si l'utilisation d'un protecteur est recommandée pour le brossage métallique, veillez à ce qu'il n'y ait aucune interférence entre la brosse circulaire ou la brosse métallique et le protecteur. Le diamètre de la brosse circulaire ou de la brosse métallique peut augmenter sous l'effet de la charge de travail et des forces centrifuges.

#### Consignes de sécurité additionnelles :

- Lors de l'utilisation des meules à moyeu déporté, assurez-vous d'utiliser exclusivement des meules renforcées de fibre de verre.
- N'UTILISEZ JAMAIS de meule évasée en pierre avec cette meuleuse. Cette meuleuse n'est pas conçue pour ce type de meules, et l'utilisation d'un tel produit pourrait provoquer des blessures graves.
- Prenez garde d'endommager l'arbre, le flasque (tout particulièrement sa surface de pose) ou le contre-écrou. La meule risque de casser si ces pièces sont endommagées.
- Assurez-vous que la meule n'entre pas en contact avec la pièce avant de mettre l'outil sous tension.
- Avant d'utiliser l'outil sur la pièce elle-même, laissez-le tourner un instant. Soyez attentif à toute vibration ou sautellement pouvant indiquer que la meule n'est pas bien installée ou qu'elle est mal équilibrée.
- Utilisez la face spécifiée de la meule pour meuler.
- N'abandonnez pas l'outil alors qu'il tourne. Ne faites fonctionner l'outil qu'une fois que vous l'avez bien en main.
- Ne touchez pas la pièce immédiatement après l'utilisation ; elle peut être très chaude et brûler votre peau.
- Respectez les instructions du fabricant pour monter et utiliser les meules correctement. Manipulez et rangez les meules soigneusement.
- N'utilisez pas de raccords de réduction séparés ou d'adaptateurs pour adapter les meules abrasives à grand trou.
- Utilisez exclusivement les flasques spécifiés pour cet outil.
- Avec les outils conçus pour la pose d'une meule à trou fileté, assurez-vous que le filetage de la meule est assez long par rapport à la longueur de l'arbre.
- Assurez-vous que la pièce est adéquatement soutenue.
- Gardez à l'esprit que la meule continue de tourner après la mise hors tension de l'outil.
- Si le lieu de travail est extrêmement chaud et humide, ou très pollué par des poussières conductrices, utilisez un coupe-circuit (30 mA) pour assurer la sécurité de l'utilisateur.
- N'utilisez l'outil sur aucun matériau contenant de l'amiante.
- Lorsque vous utilisez une meule tronçonneuse, travaillez toujours avec le protecteur de meule collecteur de poussière exigé par la réglementation intérieure.
- Les disques de coupe ne doivent être exposés à aucune pression latérale.

- N'utilisez pas de gants de travail en tissu pendant l'utilisation. Les fibres des gants en tissu peuvent pénétrer dans l'outil et l'endommager.

## CONSERVEZ CE MODE D'EMPLOI.

**⚠ MISE EN GARDE : NE VOUS LAISSEZ PAS tromper (au fil d'une utilisation répétée) par un sentiment d'aisance ou de familiarité avec le produit en négligeant les consignes de sécurité qui accompagnent le produit. L'UTILISATION INCORRECTE ou l'ignorance des consignes de sécurité du présent manuel d'instructions comporte un risque de blessure grave.**

### Symboles

Les symboles utilisés pour l'outil sont indiqués ci-dessous.

v	volts
— ---	courant continu
n	vitesse nominale
... /min r /min	tours ou alternances par minute

### Consignes de sécurité importantes pour la batterie

- Avant d'utiliser la batterie, lisez toutes les instructions et les mises en garde apposées sur (1) le chargeur de batterie, (2) la batterie et (3) le produit utilisant la batterie.
- Ne démontez pas la batterie.
- Cessez immédiatement l'utilisation si le temps de fonctionnement devient excessivement court. Il y a risque de surchauffe, de brûlures, voire d'explosion.
- Si l'électrolyte pénètre dans vos yeux, rincez-les à l'eau claire et consultez immédiatement un médecin. Il y a risque de perte de la vue.
- Ne court-circuitez pas la batterie :
  - Ne touchez les bornes avec aucun matériau conducteur.
  - Évitez de ranger la batterie dans un conteneur avec d'autres objets métalliques tels que clous, pièces de monnaie, etc.
  - Évitez d'exposer la batterie à l'eau ou à la pluie.
 Un court-circuit de la batterie pourrait provoquer un fort courant, une surchauffe, parfois des brûlures et même une panne.
- Ne rangez pas l'outil ou la batterie dans des emplacements où la température peut atteindre ou dépasser 50 °C (122 °F).

7. **Ne jetez pas la batterie au feu même si elle est sérieusement endommagée ou complètement épuisée. La batterie peut exploser au contact du feu.**
8. **Prenez garde d'échapper ou de heurter la batterie.**
9. **N'utilisez pas une batterie si elle est endommagée.**
10. **Les batteries lithium-ion fournies sont soumises aux exigences de la législation sur les marchandises dangereuses.**  
Des exigences particulières sur l'emballage et l'étiquetage doivent être respectées lors du transport commercial par des tiers, des transitaires, etc. Pour préparer la marchandise à expédier, consultez un expert en matériaux dangereux si nécessaire. Respectez aussi les éventuelles réglementations nationales plus détaillées.  
Recouvrez de ruban isolant les contacts exposés, et emballez la batterie de sorte qu'elle ne puisse pas se déplacer à l'intérieur de l'emballage.
11. **Suivez la réglementation locale concernant l'élimination de la batterie.**

## CONSERVEZ CES INSTRUCTIONS.

**ATTENTION** : Utilisez exclusivement les batteries fabriquées par Makita. Les batteries autres que celles fabriquées par Makita ou les batteries modifiées peuvent exploser et causer un incendie, une blessure ou des dommages. Cela annule aussi la garantie Makita de l'outil et du chargeur Makita.

## Conseils pour maintenir la durée de service maximale de la batterie

1. **Rechargez la batterie avant qu'elle ne soit complètement déchargée. Arrêtez toujours l'outil et rechargez la batterie quand vous remarquez que la puissance de l'outil diminue.**
2. **Ne rechargez jamais une batterie complètement chargée. La surcharge réduit la durée de service de la batterie.**
3. **Chargez la batterie à une température ambiante comprise entre 10 °C et 40 °C (50 °F et 104 °F). Si la batterie est chaude, laissez-la refroidir avant de la charger.**
4. **Chargez la batterie si elle est restée inutilisée pendant une période prolongée (plus de six mois).**

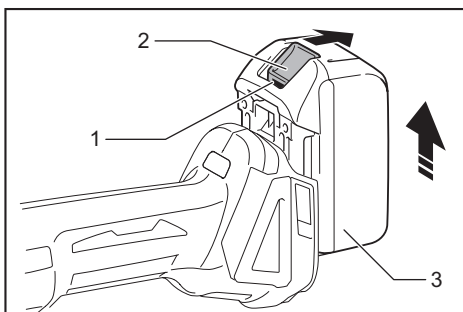
## DESCRIPTION DU FONCTIONNEMENT

**ATTENTION** : Assurez-vous toujours que l'outil est éteint et que sa batterie est retirée avant de l'ajuster ou de vérifier son fonctionnement.

## Installation ou retrait de la batterie

**ATTENTION** : Éteignez toujours l'outil avant d'installer ou de retirer la batterie.

**ATTENTION** : Tenez fermement l'outil et la batterie lors de l'installation ou du retrait de cette dernière. Si l'outil et la batterie ne sont pas tenus fermement, ils risquent de vous glisser des mains et de subir des dommages, ou encore de vous blesser.



► 1. Voyant rouge 2. Bouton 3. Batterie

Pour retirer la batterie, faites-la glisser hors de l'outil tout en glissant le bouton qui se trouve à l'avant.

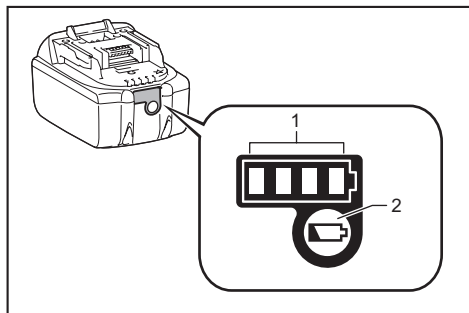
Pour installer la batterie, alignez sa languette sur la rainure pratiquée dans le boîtier, et glissez la batterie en place. Insérez-la à fond jusqu'à ce que vous entendiez un léger déclic. Si vous pouvez voir le voyant rouge sur le dessus du bouton, la batterie n'est pas complètement verrouillée.

**ATTENTION** : Installez toujours la batterie à fond jusqu'à ce que vous ne puissiez plus voir le voyant rouge. Autrement elle risque de tomber accidentellement de l'outil et d'entraîner des blessures.

**ATTENTION** : Ne forcez pas sur la batterie pour l'installer. Si la batterie ne glisse pas facilement, c'est qu'elle n'est pas insérée correctement.

## Affichage de la charge restante de la batterie

Uniquement pour les batteries dont le numéro de modèle se termine par « B »



► 1. Témoins indicateurs 2. Bouton de vérification

Appuyez sur le bouton de vérification de la batterie pour afficher la charge restante de la batterie. Les témoins indicateurs s'allument pendant quelques secondes.

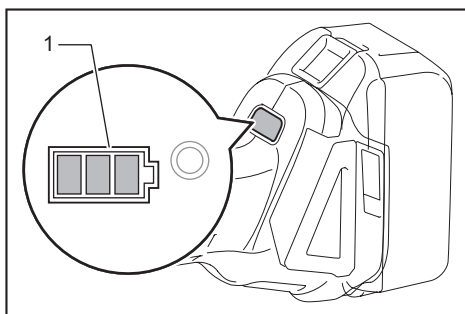
Témoins indicateurs			Charge restante
Allumé	Éteint	Clignotant	
■	■	■	75 % à 100 %
■	■	□	50 % à 75 %
■	□	□	25 % à 50 %
□	□	□	0 % à 25 %
◻	□	□	Chargez la batterie.
■	■	□	La batterie a peut-être mal fonctionné.
□	□	■	

**NOTE :** Suivant les conditions d'utilisation et la température ambiante, il se peut que l'indication soit légèrement différente de la charge réelle.

## Indication de la charge restante de la batterie

### Spécifique au pays

Lorsque vous allumez l'outil, le témoin de batterie indique la charge restante de la batterie.



► 1. Témoin de batterie

La charge restante de la batterie s'affiche comme sur le tableau suivant.

État du voyant de batterie			Capacité restante de la batterie
Allumé	Éteint	Clignotant	
■	□	◻	50 % à 100 %
■	■	◻	20 % à 50 %
■	□	◻	0 % à 20 %
◻	□	◻	Charger la batterie

## Dispositif de protection de l'outil et de la batterie

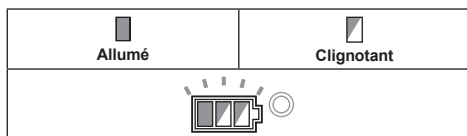
L'outil est équipé d'un système de protection d'outil/batterie. Ce système coupe automatiquement l'alimentation du moteur pour augmenter la durée de vie de l'outil et de la batterie. L'outil s'arrête automatiquement pendant l'utilisation lorsque l'outil ou la batterie est dans l'une des situations suivantes :

### Protection contre la surcharge

Lorsque l'outil est utilisé d'une manière entraînant une consommation anormale de courant, il s'arrête automatiquement sans aucune indication. Dans ce cas, éteignez l'outil et arrêtez l'activité qui entraîne une surcharge de l'outil. Remettez ensuite le contact pour redémarrer.

### Protection contre la surchauffe

Lorsque l'outil surchauffe, il s'arrête automatiquement et le témoin de batterie indique l'état suivant. Dans ce cas, laissez refroidir l'outil avant de remettre le contact.



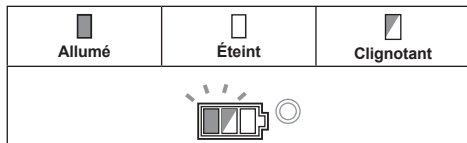
Si l'outil ne démarre pas, il se peut que la batterie soit surchauffée. Dans ce cas, laissez refroidir la batterie avant de redémarrer l'outil.

## Protection contre la décharge excessive

Lorsque la charge de la batterie est insuffisante, l'outil s'arrête automatiquement. Dans ce cas, retirez la batterie de l'outil et chargez la batterie.

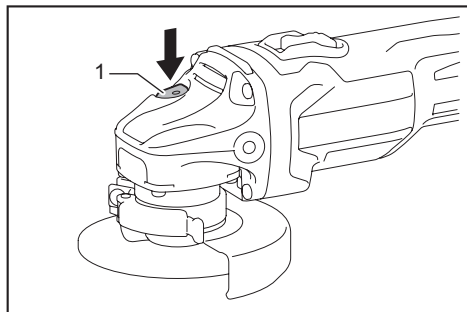
## Libération du verrou de protection

Lorsque le dispositif de protection se déclenche de manière répétée, l'outil se verrouille et le témoin de batterie indique l'état suivant. Dans ce cas, l'outil ne démarre pas même si vous l'éteignez et le rallumez. Pour libérer le verrou de protection, retirez la batterie, mettez-la sur le chargeur de batterie et attendez que la charge soit terminée.



## Blocage de l'arbre

Appuyez sur le blocage de l'arbre pour empêcher l'arbre de tourner lors de l'installation ou du retrait des accessoires.



► 1. Blocage de l'arbre

**AVIS :** N'activez jamais le blocage de l'arbre alors que l'arbre bouge. Vous pourriez endommager l'outil.

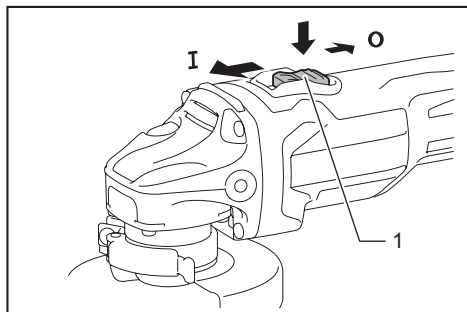
## Interrupteur

**ATTENTION :** Avant d'installer la batterie dans l'outil, assurez-vous toujours que l'interrupteur à glissière fonctionne correctement et revient en position d'arrêt lorsque vous enfoncez l'arrière de l'interrupteur à glissière.

**ATTENTION :** Pour rendre le travail de l'utilisateur plus confortable lors d'une utilisation prolongée, l'interrupteur peut être verrouillé en position de marche. Soyez prudent lorsque vous verrouillez l'outil en position de marche, et maintenez une poigne solide sur l'outil.

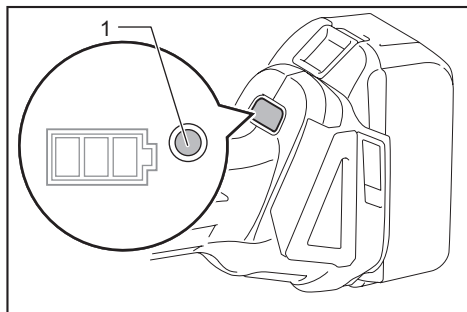
Pour démarrer l'outil, faites glisser l'interrupteur à glissière sur la position « I » (marche) en appuyant à l'arrière de l'interrupteur à glissière. Pour une utilisation continue, appuyez à l'avant de l'interrupteur à glissière pour le verrouiller.

Pour arrêter l'outil, appuyez à l'arrière de l'interrupteur à glissière, puis faites-le glisser sur la position « O » (arrêt).





► 1. Interrupteur à glissière

## Fonction de changement de vitesse automatique



► 1. Voyant de mode

État du voyant de mode	Mode de fonctionnement
	Mode de vitesse élevée
	Mode de couple de serrage élevé

Cet outil est doté d'un « mode de vitesse élevée » et d'un « mode de couple de serrage élevé ». Il change automatiquement de mode de fonctionnement selon la charge de travail. Lorsque le voyant de mode s'allume pendant l'opération, l'outil est en mode de couple de serrage élevé.

## Fonction de prévention du redémarrage accidentel

L'outil ne démarrera pas même si la batterie est installée dans l'outil alors que l'interrupteur à glissière est sur la position « I » (marche).

Pour démarrer l'outil, glissez d'abord l'interrupteur à glissière sur la position « O » (arrêt), puis sur la position « I » (marche).

## Fonction de commande électronique du couple de serrage

L'outil détecte électroniquement les situations où la meule ou l'accessoire risque de se coincer. Dans ce cas, l'outil s'éteint automatiquement pour éviter que l'arbre ne continue de tourner (cela ne prévient toutefois pas le recul).

Pour redémarrer l'outil, éteignez d'abord l'outil, éliminez la cause de la baisse soudaine de la vitesse de rotation, puis rallumez l'outil.

## Fonction de démarrage en douceur

La fonction de démarrage en douceur atténue le choc de démarrage.

## Frein électrique

Le frein électrique s'active une fois l'outil éteint. Le frein ne fonctionne pas lorsque la source d'alimentation est coupée, par exemple lors du retrait accidentel de la batterie alors que l'interrupteur est toujours en position de marche.

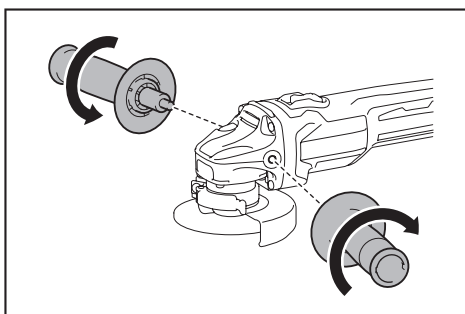
## ASSEMBLAGE

**⚠ ATTENTION :** Assurez-vous toujours que l'outil est éteint et que sa batterie est retirée avant de l'ajuster ou de vérifier son fonctionnement.

## Installation de la poignée latérale

**⚠ ATTENTION :** Avant d'utiliser l'outil, assurez-vous toujours que la poignée latérale est installée de façon sûre.

Vissez la poignée latérale à fond sur la position de l'outil comme illustré sur la figure.



## Pose ou retrait du protecteur de meule (pour meule à moyeu déporté, disque à lamelles, meule flexible, brosse métallique circulaire / meule tronçonneuse abrasive, meule diamant)

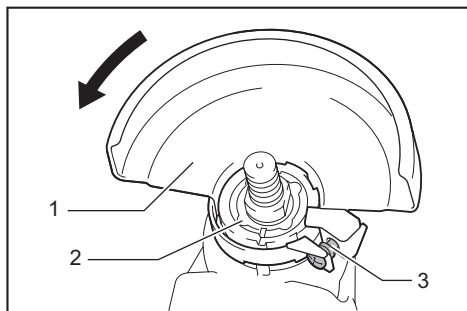
**⚠ MISE EN GARDE :** Si vous utilisez une meule à moyeu déporté, un disque à lamelles, une meule flexible ou une brosse métallique circulaire, le protecteur de meule doit être placé sur l'outil de sorte que la partie de la meule recouverte par le protecteur soit toujours du côté de l'utilisateur.

**⚠ MISE EN GARDE :** Lorsque vous utilisez une meule tronçonneuse abrasive / diamant, vous devez utiliser uniquement le protecteur spécial de meule conçu pour les meules tronçonneuses.

(Dans certains pays d'Europe, il est possible d'utiliser le protecteur ordinaire lors de l'utilisation d'une meule diamant. Respectez la réglementation en vigueur dans votre pays.)

## Pour outil avec protecteur de meule à vis de blocage

Montez le protecteur de meule en alignant la partie saillante de sa bande sur les entailles du boîtier d'engrenage. Faites ensuite tourner le protecteur de meule sur un angle qui assurera la protection de l'utilisateur selon le travail à exécuter. Vous devez serrer la vis fermement. Pour retirer le protecteur de meule, suivez la procédure d'installation en sens inverse.

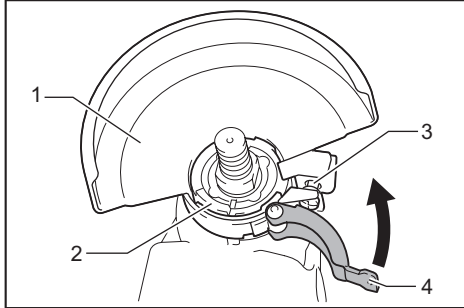


► 1. Protecteur de meule 2. Boîtier d'engrenage 3. Vis



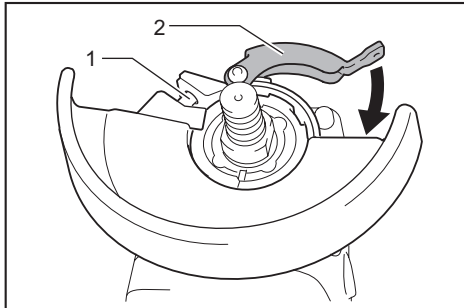
## Pour outil avec protecteur de meule à levier de serrage

Desserrez la vis, puis tirez le levier dans le sens de la flèche. Montez le protecteur de meule en alignant la partie saillante de sa bande sur les entailles du boîtier d'engrenage. Faites ensuite tourner le protecteur de meule sur un angle qui assurera la protection de l'utilisateur selon le travail à exécuter.



- 1. Protecteur de meule 2. Boîtier d'engrenage 3. Vis  
4. Levier

Tirez le levier dans le sens de la flèche. Serrez ensuite le protecteur de meule en serrant la vis. Vous devez serrer la vis fermement. L'angle de réglage du protecteur de meule peut être ajusté avec le levier.



- 1. Vis 2. Levier

Pour retirer le protecteur de meule, suivez la procédure d'installation en sens inverse.

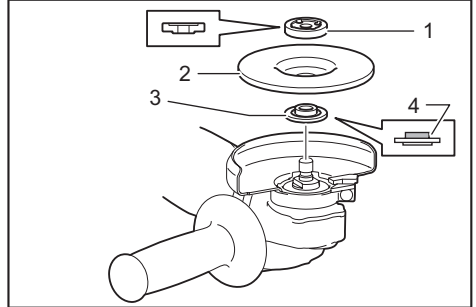
## Pose ou retrait de la meule à moyeu déporté ou du disque à lamelles

### Accessoire en option

**⚠ MISE EN GARDE** : Si vous utilisez une meule à moyeu déporté ou un disque à lamelles, le protecteur de meule doit être placé sur l'outil de sorte que la partie de la meule recouverte par le protecteur soit toujours du côté de l'utilisateur.

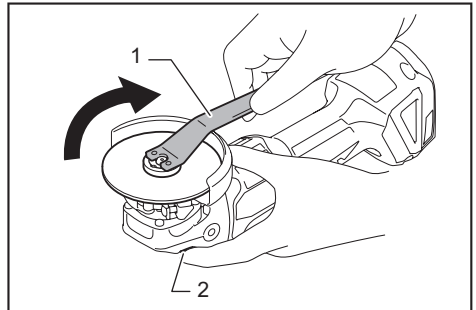
**⚠ ATTENTION** : Assurez-vous que la pièce de montage du flasque intérieur est parfaitement adaptée au diamètre intérieur de la meule à moyeu déporté ou du disque à lamelles. Monter le flasque intérieur du mauvais côté peut entraîner de dangereuses vibrations.

Montez le flasque intérieur sur l'arbre. Assurez-vous de placer la partie dentelée du flasque intérieur dans la partie rectiligne au bas de l'arbre. Placez la meule à moyeu déporté ou le disque à lamelles sur le flasque intérieur, et vissez le contre-écrou sur l'arbre.



- 1. Contre-écrou 2. Meule à moyeu déporté  
3. Flasque intérieur 4. Pièce de montage

Pour serrer le contre-écrou, appuyez fermement sur le blocage de l'arbre pour empêcher l'arbre de tourner, puis utilisez la clé à contre-écrou en serrant fermement dans le sens des aiguilles d'une montre.



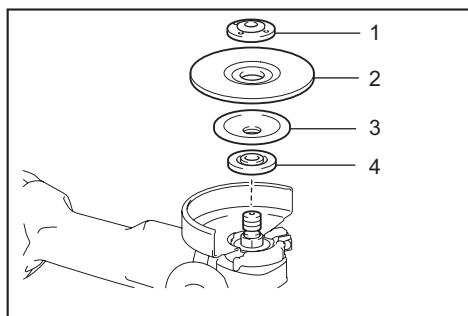
- 1. Clé à contre-écrou 2. Blocage de l'arbre

Pour retirer la meule, suivez la procédure d'installation en sens inverse.

## Pose ou retrait de la meule flexible

### Accessoire en option

**⚠ MISE EN GARDE** : Utilisez toujours le protecteur fourni quand la meule flexible est montée sur l'outil. La meule peut voler en éclats en cours d'utilisation et le protecteur réduit alors les risques de blessure.



- 1. Contre-écrou 2. Meule flexible 3. Tampon d'ap-point 4. Flasque intérieur

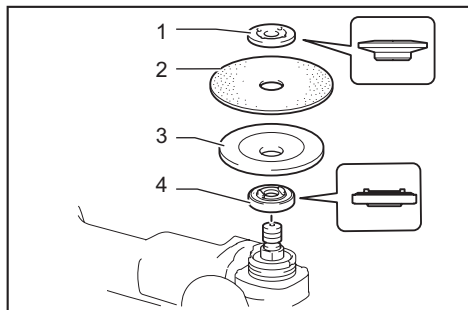
Suivez les instructions données pour la meule à moyeu déporté, mais en plaçant également un tampon d'ap-point sur la meule. Pour l'ordre d'assemblage, référez-vous à la page des accessoires du présent manuel.

## Pose ou retrait du disque abrasif

### Accessoire en option

**NOTE :** Utilisez les accessoires de ponçage spécifiés dans ce manuel. Ces derniers doivent être achetés séparément.

### Pour le modèle 100 mm (4")

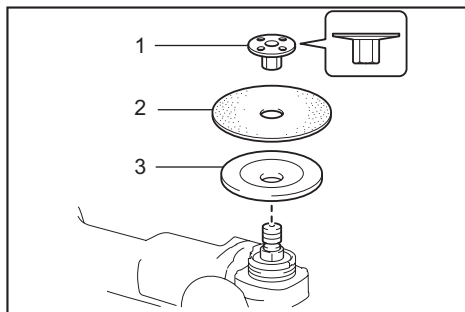


- 1. Contre-écrou de ponçage 2. Disque abrasif 3. Plateau de caoutchouc 4. Flasque intérieur

1. Montez le flasque intérieur sur l'arbre.
2. Montez le plateau de caoutchouc sur l'arbre.
3. Placez le disque sur le plateau de caoutchouc et vissez le contre-écrou de ponçage sur l'arbre.
4. Tenez l'arbre avec le blocage de l'arbre, et serrez fermement le contre-écrou de ponçage dans le sens des aiguilles d'une montre à l'aide de la clé à contre-écrou.

Pour retirer le disque, suivez la procédure d'installation en sens inverse.

### Pour le modèle 115 mm (4-1/2") / 125 mm (5")



- 1. Contre-écrou de ponçage 2. Disque abrasif 3. Plateau de caoutchouc

1. Montez le plateau de caoutchouc sur l'arbre.
2. Placez le disque sur le plateau de caoutchouc et vissez le contre-écrou de ponçage sur l'arbre.
3. Tenez l'arbre avec le blocage de l'arbre, et serrez fermement le contre-écrou de ponçage dans le sens des aiguilles d'une montre à l'aide de la clé à contre-écrou.

Pour retirer le disque, suivez la procédure d'installation en sens inverse.

## UTILISATION

**⚠ MISE EN GARDE :** Il n'est jamais nécessaire de forcer l'outil. Le poids de l'outil lui-même suffit à assurer une pression adéquate. Le fait de forcer l'outil ou d'appliquer une pression excessive comporte un risque dangereux de casser la meule.

**⚠ MISE EN GARDE :** Remplacez TOUJOURS la meule lorsque vous échappez l'outil pendant le meulage.

**⚠ MISE EN GARDE :** Ne frappez JAMAIS le disque de meulage ou la meule contre la pièce à travailler.

**⚠ MISE EN GARDE :** Évitez de laisser la meule sautiller ou accrocher, tout spécialement lorsque vous travaillez dans les coins, sur les bords tranchants, etc. Cela peut causer une perte de contrôle et un recul.

**⚠ MISE EN GARDE :** N'utilisez JAMAIS cet outil avec des lames à bois et autres lames de scie. Les lames de ce type sautent fréquemment lorsqu'elles sont utilisées sur une meuleuse et risquent d'entraîner une perte de contrôle pouvant causer des blessures.

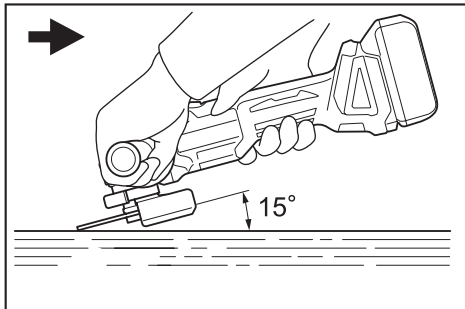
**⚠ ATTENTION :** Ne mettez jamais l'outil en marche alors qu'il se trouve en contact avec la pièce à travailler, pour éviter de vous blesser.

**⚠ ATTENTION :** Portez toujours des lunettes de sécurité ou un écran facial pendant l'utilisation.

**⚠ ATTENTION :** Après l'utilisation, mettez toujours l'outil hors tension et attendez l'arrêt complet de la meule avant de déposer l'outil.

**⚠ ATTENTION :** Tenez **TOUJOURS** l'outil fermement en posant une main sur le boîtier et l'autre main sur la poignée latérale.

## Travaux de meulage et de ponçage



Mettez l'outil en marche puis posez la meule ou le disque sur la pièce à travailler.

En général, vous devez maintenir le bord de la meule ou du disque sur un angle d'environ 15° par rapport à la surface de la pièce à travailler.

Pendant la période de rodage d'une meule neuve, ne faites pas progresser la meuleuse vers l'avant, sinon elle risque de couper la pièce à travailler. Une fois le bord de la meule rodée, la meule peut être utilisée dans les sens avant et arrière.

## Travaux avec meule tronçonneuse abrasive ou meule diamant

### Accessoire en option

**⚠ MISE EN GARDE :** Lorsque vous utilisez une meule tronçonneuse abrasive / diamant, vous devez utiliser uniquement le protecteur spécial de meule conçu pour les meules tronçonneuses.

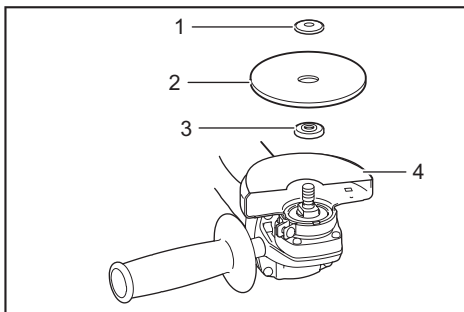
**⚠ MISE EN GARDE :** N'utilisez **JAMAIS** une meule tronçonneuse pour faire du meulage latéral.

**⚠ MISE EN GARDE :** Ne « bloquez » pas la meule et n'appliquez pas de pression excessive. N'essayez pas de faire une coupe trop profonde. Une surcharge de la meule augmente la charge, le risque de torsion ou coincement de la meule dans la fente, et la possibilité de recul, de cassure de la meule et de surchauffe du moteur.

**⚠ MISE EN GARDE :** Ne démarrez pas le travail de coupe dans la pièce. Laissez la meule atteindre sa pleine vitesse, et entamez doucement la coupe en déplaçant l'outil vers l'avant sur la surface de la pièce. La meule peut se coincer, remonter ou provoquer un recul si l'outil électrique est démarré dans la pièce.

**⚠ MISE EN GARDE :** Pendant la coupe, ne changez jamais l'angle de la meule. L'application d'une pression latérale sur la meule tronçonneuse (comme lors du meulage) causera la fissuration et la cassure de la meule, entraînant de graves blessures.

**⚠ MISE EN GARDE :** Une meule diamant doit être utilisée perpendiculairement au matériau à couper.



- 1. Contre-écrou 2. Meule tronçonneuse abrasive / meule diamant 3. Flasque intérieur 4. Protecteur de meule pour meule tronçonneuse abrasive / meule diamant

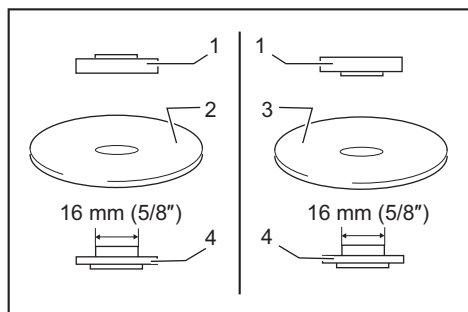
Pour l'installation, suivez les instructions de la meule à moyeu déporté.

**Le sens de montage du contre-écrou et du flasque intérieur varie suivant le type de meule et l'épaisseur.**

Reportez-vous aux illustrations suivantes.

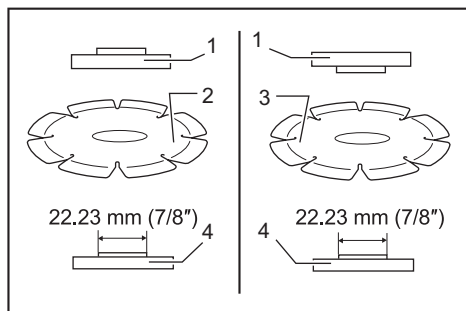
## Pour le modèle 100 mm (4")

Lors de la pose d'une meule tronçonneuse abrasive :



- 1. Contre-écrou 2. Meule tronçonneuse abrasive (plus mince que 4 mm (5/32")) 3. Meule tronçonneuse abrasive (4 mm (5/32") ou plus épaisse) 4. Flaque intérieur

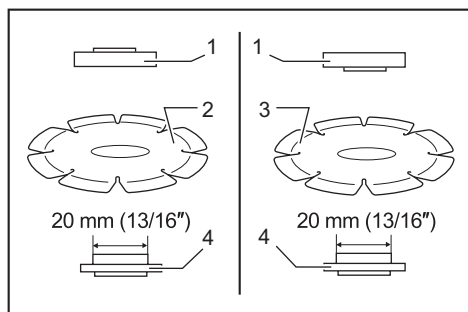
Lors de la pose d'une meule diamant :



- 1. Contre-écrou 2. Meule diamant (plus mince que 4 mm (5/32")) 3. Meule diamant (4 mm (5/32") ou plus épaisse) 4. Flaque intérieur

## Travaux avec une brosse coupe métallique

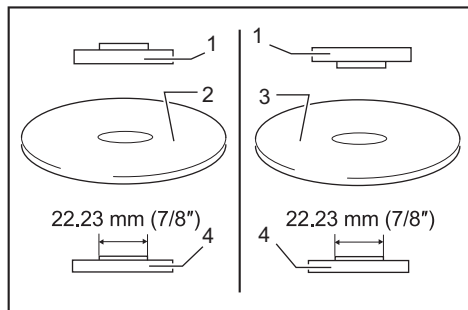
Lors de la pose d'une meule diamant :



- 1. Contre-écrou 2. Meule diamant (plus mince que 4 mm (5/32")) 3. Meule diamant (4 mm (5/32") ou plus épaisse) 4. Flaque intérieur

## Pour le modèle 115 mm (4-1/2") / 125 mm (5")

Lors de la pose d'une meule tronçonneuse abrasive :

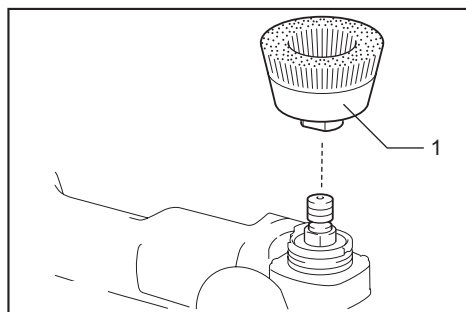


- 1. Contre-écrou 2. Meule tronçonneuse abrasive (plus mince que 4 mm (5/32")) 3. Meule tronçonneuse abrasive (4 mm (5/32") ou plus épaisse) 4. Flaque intérieur

Accessoire en option

**ATTENTION** : Vérifiez le fonctionnement de la brosse en faisant fonctionner l'outil sans charge, en vous assurant que personne ne se trouve devant la brosse ou sur sa trajectoire.

**ATTENTION** : N'utilisez pas la brosse si elle est endommagée ou déséquilibrée. L'utilisation d'une brosse endommagée augmente les risques de blessure au contact des fils cassés.



- 1. Brosse coupe métallique

Retirez la batterie de l'outil et placez ce dernier en bas pour permettre un accès facile à l'arbre. Retirez tous les accessoires de l'arbre. Enfilez la brosse coupe métallique sur l'arbre et serrez avec la clé fournie.

**AVIS** : Évitez d'appliquer trop de pression, car cela fait plier les fils lors de l'utilisation d'une brosse. Cela peut causer une rupture prématurée.

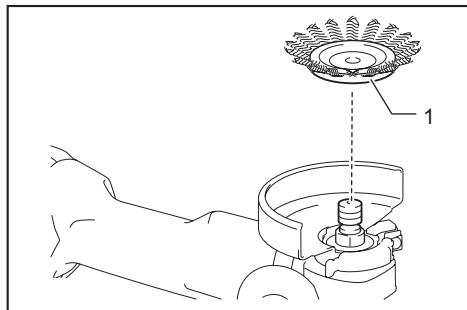
## Travaux avec une brosse métallique circulaire

### Accessoire en option

**⚠ ATTENTION :** Vérifiez le fonctionnement de la brosse métallique circulaire en faisant fonctionner l'outil sans charge, en vous assurant que personne ne se trouve devant la brosse métallique circulaire ou sur sa trajectoire.

**⚠ ATTENTION :** N'utilisez pas la brosse métallique circulaire si elle est endommagée ou déséquilibrée. L'utilisation d'une brosse métallique circulaire endommagée augmente les risques de blessure au contact des fils cassés.

**⚠ ATTENTION :** Avec les brosses métalliques circulaires, utilisez TOUJOURS le protecteur, en vous assurant que le diamètre de la brosse n'est pas trop grand pour le protecteur. La meule (brosse) peut voler en éclats en cours d'utilisation et le protecteur réduit alors les risques de blessure.



► 1. Brosse métallique circulaire

Retirez la batterie de l'outil et placez ce dernier la tête en bas pour permettre un accès facile à l'arbre. Retirez tous les accessoires de l'arbre. Enfoncez la brosse métallique circulaire sur l'arbre et serrez avec les clés.

**AVIS :** Évitez d'appliquer trop de pression, car cela fait plier les fils lors de l'utilisation d'une brosse métallique circulaire. Cela peut causer une rupture prématurée.

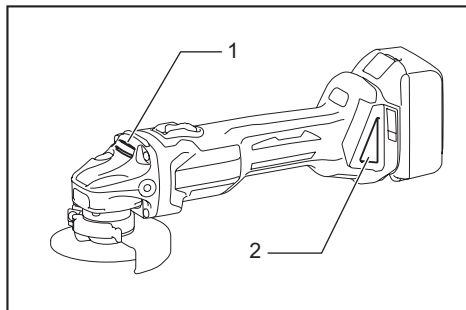
## ENTRETIEN

**⚠ ATTENTION :** Assurez-vous toujours que l'outil est hors tension et que la batterie est retirée avant d'y effectuer tout travail d'inspection ou d'entretien.

**AVIS :** N'utilisez jamais d'essence, de benzine, de solvant, d'alcool ou autres produits similaires. Une décoloration, une déformation ou la formation de fissures peuvent en découler.

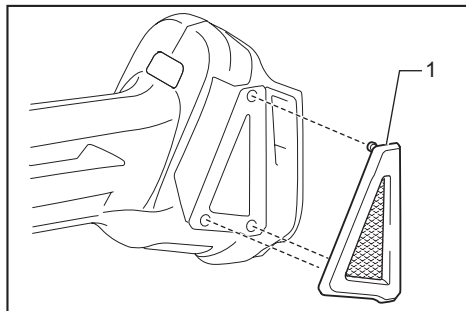
## Nettoyage des orifices d'aération

L'outil et ses orifices d'aération doivent être maintenus propres. Nettoyez régulièrement les orifices d'aération de l'outil, ou chaque fois qu'ils commencent à se boucher.



► 1. Orifice d'évacuation 2. Orifice d'entrée d'air

Retirez le cache antipoussières de l'orifice d'entrée d'air, et nettoyez-le pour assurer la circulation fluide de l'air.



► 1. Cache antipoussières

**NOTE :** Nettoyez le cache antipoussières lorsqu'il est bouché par des poussières ou des corps étrangers. Vous risqueriez d'endommager l'outil en poursuivant le travail avec un cache antipoussières bouché.

# ACCESSOIRES EN OPTION

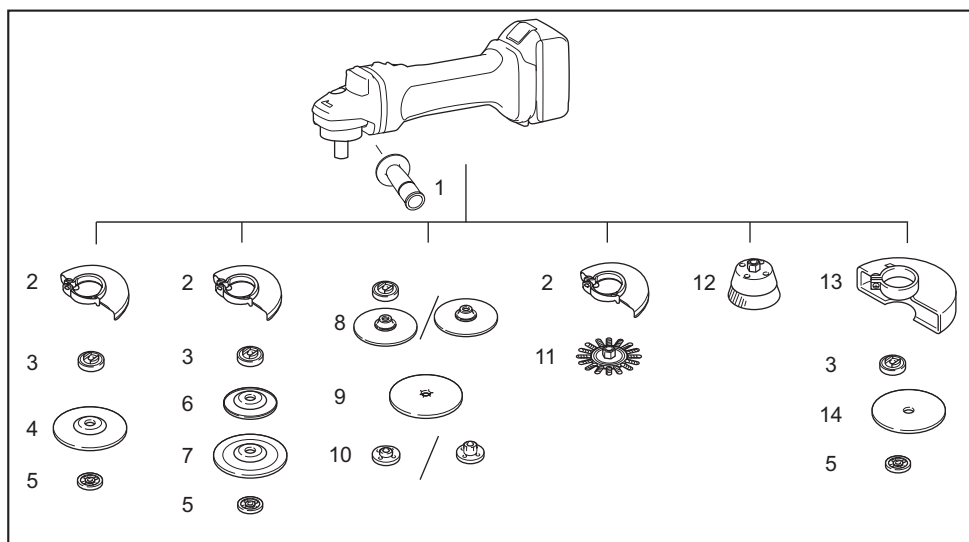
**⚠ ATTENTION :** Ces accessoires ou pièces complémentaires sont recommandés pour l'utilisation avec l'outil Makita spécifié dans ce manuel. L'utilisation de tout autre accessoire ou pièce complémentaire peut comporter un risque de blessure. N'utilisez les accessoires ou pièces complémentaires qu'aux fins auxquelles ils ont été conçus.

**⚠ ATTENTION :** Cet outil est doté d'un protecteur qui s'utilise avec les meules, multidisques, meules flexibles et brosse métalliques circulaires recommandées. Si une meule diamant et/ou une meule tronçonneuse sont aussi disponibles pour l'utilisation avec cet outil, elles ne doivent être utilisées qu'avec le protecteur en option adéquat pour meules tronçonneuses.

Si vous décidez d'utiliser votre meuleuse Makita avec des accessoires approuvés et achetés chez un distributeur ou un centre de service d'usine Makita, pensez à vous procurer et à utiliser également toutes les pièces de serrage et protecteurs recommandés dans ce manuel. L'inobservation de ce conseil risquerait d'entraîner des blessures à soi-même ou à d'autres personnes se trouvant à proximité.

Si vous désirez obtenir plus de détails sur ces accessoires, veuillez contacter le centre de service après-vente Makita le plus près.

- Chargeur et batterie authentiques Makita



-	Modèle 100 mm (4")	Modèle 115 mm (4-1/2")	Modèle 125 mm (5")
1	Poignée 36		
2	Protecteur de meule (pour meule)		
3	Flasque intérieur 35	Flasque intérieur 45	
4	Meule à moyeu déporté / Multidisque		
5	Contre-écrou 10-35	Contre-écrou 5/8-45	
6	Tampon d'appoint		
7	Meule flexible		
8	Flasque intérieur et plateau de caoutchouc 76	Plateau de caoutchouc 100	Plateau de caoutchouc 115
9	Disque abrasif		
10	Contre-écrou de ponçage 10-30	Contre-écrou de ponçage 5/8-48	
11	Brosse métallique circulaire		
12	Brosse coupe métallique		
13	Protecteur de meule (pour meule tronçonneuse)		

-	<b>Modèle 100 mm (4")</b>	<b>Modèle 115 mm (4-1/2")</b>	<b>Modèle 125 mm (5")</b>
14	Meule tronçonneuse abrasive / Meule diamant		
-	Clé à contre-écrou 20	Clé à contre-écrou 28	

**NOTE** : Certains éléments de la liste peuvent être inclus avec l'outil comme accessoires standards. Ils peuvent varier suivant les pays.

## GARANTIE LIMITÉE D'UN AN DE MAKITA

### Politique de garantie

Tous les outils Makita sont soigneusement inspectés et mis à l'essai avant de quitter l'usine. Ils sont garantis contre les vices de fabrication et de matériau pour une période d'UN AN suivant la date de l'achat original. Si un problème survient pendant cette période d'un an, retournez l'outil COMPLET, fret payé d'avance, à une usine ou un centre de service après-vente autorisé Makita. S'il ressort de l'inspection que le problème est dû à un vice de fabrication ou de matériau, Makita réparera (ou remplacera, à son gré) l'outil gratuitement.

Cette garantie ne s'applique pas dans les cas où :

- des réparations ont été effectuées ou tentées par un tiers;
- des réparations sont nécessaires en raison de l'usure normale;
- l'outil a été malmené, mal utilisé ou non adéquatement entretenu;
- l'outil a subi des modifications.

MAKITA NE SERA EN AUCUN CAS RESPONSABLE DE TOUS DOMMAGES INDIRECTS, ACCESSOIRES OU CONSÉCUTIFS DE LA VENTE OU DE L'UTILISATION DU PRODUIT. CET AVIS DE NON-RESPONSABILITÉ S'APPLIQUE PENDANT ET APRÈS LA PÉRIODE COUVERTE PAR CETTE GARANTIE.

MAKITA DÉCLINE TOUTE RESPONSABILITÉ QUANT À TOUTES GARANTIES IMPLICITES, Y COMPRIS LES GARANTIES DE « QUALITÉ MARCHANDE » OU D'« ADAPTATION À UN USAGE PARTICULIER » APRÈS LA PÉRIODE DE GARANTIE D'UN AN.

Cette garantie vous donne des droits légaux spécifiques, et vous pouvez également avoir d'autres droits qui varient d'une province à l'autre. Certaines provinces n'autorisant pas l'exclusion ou la restriction des dommages accessoires ou consécutifs, il se peut que la restriction ou l'exclusion ci-dessus ne s'applique pas à vous. Certaines provinces n'autorisant pas de restriction quant à la durée des garanties implicites, il se peut que la restriction ci-dessus ne s'applique pas à vous.

# ESPECIFICACIONES

Modelo:		DGA406	DGA456	DGA506
Diámetro de la rueda o disco abrasivo		100 mm (4")	115 mm (4-1/2")	125 mm (5")
Grosor máx. de la rueda o disco abrasivo		6,4 mm (1/4")		
Rosca del eje		M10 x 1,25	5/8" (15,88 mm)	
Velocidad especificada (n)		8 500 r/min		
Longitud total	Con cartucho de batería BL1815N, BL1820, BL1820B	348 mm (13-3/4")		
	Con cartucho de batería BL1830, BL1830B, BL1840, BL1840B, BL1850, BL1850B, BL1860B	362 mm (14-1/4")		
Peso neto	Con cartucho de batería BL1815N, BL1820, BL1820B	2,2 kg (4,9 lbs)	2,3 kg (5,1 lbs)	2,3 kg (5,2 lbs)
	Con cartucho de batería BL1830, BL1830B, BL1840, BL1840B, BL1850, BL1850B, BL1860B	2,5 kg (5,4 lbs)	2,6 kg (5,7 lbs)	
Tensión nominal		18 V c.c.		
Cartucho de batería estándar		BL1815N, BL1820, BL1820B, BL1830, BL1830B, BL1840, BL1840B, BL1850, BL1850B, BL1860B		

- Debido a nuestro continuo programa de investigación y desarrollo, las especificaciones aquí incluidas están sujetas a cambio sin previo aviso.
- Las especificaciones y el cartucho de batería pueden variar de país a país.
- Peso de acuerdo al procedimiento de EPTA-01/2003 incluyendo el cartucho de batería

## Advertencias generales de seguridad para herramientas eléctricas

**⚠️ ADVERTENCIA:** Lea todas las advertencias de seguridad e instrucciones. El no seguir las advertencias e instrucciones indicadas puede ocasionar una descarga eléctrica, un incendio y/o lesiones graves.

## Conserve todas las advertencias e instrucciones como referencia en el futuro.

En las advertencias, el término "herramienta eléctrica" se refiere a su herramienta eléctrica de funcionamiento con conexión a la red eléctrica (con cableado eléctrico) o herramienta eléctrica de funcionamiento a batería (inalámbrica).

### Seguridad en el área de trabajo

1. **Mantenga el área de trabajo limpia y bien iluminada.** Las áreas oscuras o desordenadas son propensas a accidentes.
2. **No utilice las herramientas eléctricas en atmósferas explosivas, tal como en la presencia de líquidos, gases o polvo inflamables.** Las herramientas eléctricas crean chispas que pueden prender fuego al polvo o los humos.

3. **Mantenga a los niños y curiosos alejados mientras utiliza una herramienta eléctrica.** Las distracciones le pueden hacer perder el control.

### Seguridad eléctrica

1. **Las clavijas de conexión de las herramientas eléctricas deberán encajar perfectamente en la toma de corriente. No modifique nunca la clavija de conexión de ninguna forma. No utilice ninguna clavija adaptadora con herramientas eléctricas que tengan conexión a tierra (puesta a tierra).** La utilización de clavijas no modificadas y que encajen perfectamente en la toma de corriente reducirá el riesgo de que se produzca una descarga eléctrica.
2. **Evite tocar con el cuerpo superficies conectadas a tierra o puestas a tierra tales como tubos, radiadores, cocinas y refrigeradores.** Si su cuerpo es puesto a tierra o conectado a tierra existirá un mayor riesgo de que sufra una descarga eléctrica.
3. **No exponga las herramientas eléctricas a la lluvia ni a condiciones húmedas.** La entrada de agua en una herramienta eléctrica aumentará el riesgo de que se produzca una descarga eléctrica.
4. **No maltrate el cable. Nunca utilice el cable para transportar, jalar o desconectar la herramienta eléctrica. Mantenga el cable alejado del calor, aceite, objetos cortantes o piezas móviles.** Los cables dañados o enredados aumentan el riesgo de sufrir una descarga eléctrica.



5. **Cuando utilice una herramienta eléctrica en exteriores, utilice un cable de extensión apropiado para uso en exteriores.** La utilización de un cable apropiado para uso en exteriores reducirá el riesgo de que se produzca una descarga eléctrica.
6. **Si no es posible evitar usar una herramienta eléctrica en condiciones húmedas, utilice un alimentador protegido con interruptor de circuito de falla a tierra (ICFT).** El uso de un ICFT reduce el riesgo de descarga eléctrica.
3. **Desconecte la clavija de la fuente de energía y/o la batería de la herramienta eléctrica antes de realizar ajustes, cambiar accesorios o guardar las herramientas eléctricas.** Dichas medidas de seguridad preventivas reducen el riesgo de que la herramienta se inicie accidentalmente.
4. **Guarde la herramienta eléctrica que no use fuera del alcance de los niños y no permita que las personas que no están familiarizadas con ella o con las instrucciones la operen.** Las herramientas eléctricas son peligrosas en manos de personas que no saben operarlas.

#### Seguridad personal

1. **Manténgase alerta, preste atención a lo que está haciendo y utilice su sentido común cuando opere una herramienta eléctrica. No utilice una herramienta eléctrica cuando esté cansado o bajo la influencia de drogas, alcohol o medicamentos.** Un momento de distracción mientras opera las herramientas eléctricas puede terminar en una lesión grave.
2. **Use equipo de protección personal. Póngase siempre protección para los ojos.** El equipo protector tal como máscara contra el polvo, zapatos de seguridad antiderrapantes, casco rígido y protección para oídos utilizado en las condiciones apropiadas reducirá el riesgo de lesiones.
3. **Impida el encendido accidental. Asegúrese de que el interruptor esté en la posición de apagado antes de conectar a la alimentación eléctrica y/o de colocar el cartucho de batería, así como al levantar o cargar la herramienta.** Cargar las herramientas eléctricas con su dedo en el interruptor o enchufarlas con el interruptor encendido hace que los accidentes sean comunes.
4. **Retire cualquier llave de ajuste o llave de apriete antes de encender la herramienta.** Una llave de ajuste o llave de apriete que haya sido dejada puesta en una parte giratoria de la herramienta eléctrica puede ocasionar alguna lesión.
5. **No utilice la herramienta donde no alcance. Mantenga los pies sobre suelo firme y el equilibrio en todo momento.** Esto permite un mejor control de la herramienta eléctrica en situaciones inesperadas.
6. **Use vestimenta apropiada. No use ropas sueltas ni joyas. Mantenga el cabello, la ropa y los guantes alejados de las piezas móviles.** Las prendas de vestir holgadas, las joyas y el cabello suelto podrían engancharse en las piezas móviles.
7. **Si dispone de dispositivos para la conexión de equipos de extracción y recolección de polvo, asegúrese de conectarlos y utilizarlos debidamente.** Hacer uso de la recolección de polvo puede reducir los riesgos relacionados con el polvo.

#### Mantenimiento y uso de la herramienta eléctrica

1. **No fuerce la herramienta eléctrica. Utilice la herramienta eléctrica correcta para su aplicación.** La herramienta eléctrica adecuada hará un mejor trabajo y de forma más segura a la velocidad para la que ha sido fabricada.
2. **No utilice la herramienta eléctrica si el interruptor no la enciende y apaga.** Cualquier herramienta eléctrica que no pueda ser controlada con el interruptor es peligrosa y debe ser reemplazada.

5. **Realice el mantenimiento a las herramientas eléctricas. Compruebe que no haya partes móviles desalineadas o estancadas, piezas rotas y cualquier otra condición que pueda afectar al funcionamiento de la herramienta eléctrica. Si la herramienta eléctrica está dañada, haga que se la reparen antes de utilizarla.** Muchos accidentes son ocasionados por herramientas eléctricas con mantenimiento inadecuado.
6. **Mantenga las herramientas de corte limpias y filosas.** Si recibe un mantenimiento adecuado y tiene los bordes afilados, es probable que la herramienta se atasque menos y sea más fácil controlarla.
7. **Utilice la herramienta eléctrica, los accesorios y las brocas de acuerdo con estas instrucciones, considerando las condiciones laborales y el trabajo a realizar.** Si utiliza la herramienta eléctrica para realizar operaciones distintas de las indicadas, podrá presentarse una situación peligrosa.

#### Uso y cuidado de la herramienta a batería

1. **Recargue sólo con el cargador especificado por el fabricante.** Un cargador que es adecuado para un solo tipo de batería puede generar riesgo de incendio al ser utilizado con otra batería.
2. **Utilice las herramientas eléctricas solamente con las baterías designadas específicamente para ellas.** La utilización de cualquier otra batería puede crear un riesgo de lesiones o incendio.
3. **Cuando no se esté usando la batería, manténgala alejada de otros objetos metálicos, como sujetapapeles (clips), monedas, llaves, clavos, tornillos u otros objetos pequeños de metal los cuales pueden actuar creando una conexión entre las terminales de la batería.** Originar un cortocircuito en las terminales puede causar quemaduras o incendios.
4. **En condiciones abusivas, podrá escapar líquido de la batería; evite tocarlo. Si lo toca accidentalmente, enjuague con agua. Si hay contacto del líquido con los ojos, busque asistencia médica.** Puede que el líquido expulsado de la batería cause irritación o quemaduras.

#### Servicio

1. **Haga que una persona calificada repare la herramienta eléctrica utilizando sólo piezas de repuesto idénticas.** Esto asegura que se mantenga la seguridad de la herramienta eléctrica.
2. **Siga las instrucciones para la lubricación y cambio de accesorios.**
3. **Mantenga las agarraderas secas, limpias y sin aceite o grasa.**

## Advertencias de seguridad para la esmeriladora inalámbrica

Advertencias de seguridad comunes para las operaciones de esmerlado, lijado, cepillado con alambre o corte abrasivo:

1. **Esta herramienta eléctrica está diseñada para funcionar como esmeriladora, lijadora, cepillo de alambre o herramienta de corte. Lea todas las advertencias de seguridad, instrucciones, ilustraciones y especificaciones suministradas con esta herramienta eléctrica.** El no seguir todas las instrucciones indicadas a continuación podrá ocasionar una descarga eléctrica, incendio y/o lesiones graves.
2. **Las operaciones tales como el pulido no están recomendadas para realizarse con esta herramienta eléctrica.** Las operaciones para las que la herramienta eléctrica no está diseñada pueden representar un riesgo y ocasionar lesiones personales.
3. **No utilice accesorios que no hayan sido específicamente diseñados y recomendados por el fabricante de la herramienta.** Sólo porque un accesorio pueda instalarse en su herramienta eléctrica no garantiza una operación segura.
4. **La velocidad especificada para el accesorio debe ser por lo menos la misma que la velocidad máxima marcada en la herramienta eléctrica.** Los accesorios que vayan a una velocidad mayor que su velocidad especificada pueden romperse y desintegrarse.
5. **El diámetro exterior y el grosor de su accesorio deben estar dentro de la capacidad indicada de su herramienta eléctrica.** Los accesorios de tamaño incorrecto no podrán ser protegidos ni controlados adecuadamente.
6. **El ensartado de los accesorios debe encajar en la rosca del eje de la esmeriladora. Para los accesorios instalados por medio de bridas, el orificio del eje del accesorio debe encajar con el diámetro de ubicación de la brida.** Los accesorios que no encajen con el equipo de montaje de la herramienta eléctrica se desequilibrarán, vibrarán excesivamente y podrán causar pérdida de control.
7. **No utilice accesorios dañados. Antes de cada uso, inspeccione los accesorios tales como las ruedas abrasivas para verificar que no haya grietas ni astillas, la almohadilla de soporte para revisar que no haya roturas, rasgaduras o un desgaste excesivo, o el cepillo de alambre para comprobar que no haya alambres sueltos o rotos. Si la herramienta eléctrica o algún accesorio llegan a caerse, inspeccione que no haya daños o instale un accesorio que no esté dañado. Después de inspeccionar e instalar un accesorio, colóquese usted y las personas alrededor lejos del plano del accesorio giratorio y haga funcionar la herramienta eléctrica a la velocidad máxima sin carga durante un minuto.** Los accesorios dañados por lo general se romperán durante este tiempo de prueba.

8. **Utilice equipo de protección personal.** Dependiendo de la aplicación, use careta y gafas protectoras o de seguridad. Según resulte apropiado, use máscara contra polvo, protectores para oídos, guantes y mandil de trabajo que puedan detener pequeños fragmentos abrasivos o de la pieza de trabajo. La protección para los ojos deberá ser capaz de detener los residuos que salgan volando a causa de las distintas operaciones. La máscara contra polvo o respirador deberá ser capaz de filtrar las partículas generadas durante su operación. La exposición prolongada al ruido de alta intensidad podrá provocar pérdida auditiva.
9. **Mantenga a las personas alrededor a una distancia segura del área de trabajo. Cualquiera persona que ingrese al área de trabajo deberá usar equipo de protección personal.** Los fragmentos de la pieza de trabajo o de un accesorio roto podrán salir proyectados más allá del área inmediata de operación y causar lesiones.
10. **Cuando realice una operación en la que la herramienta de corte pueda entrar en contacto con cableado oculto, sujete la herramienta eléctrica por las superficies de asiento aisladas.** El contacto con un cable con corriente también hará que la corriente circule por las partes metálicas expuestas de la herramienta eléctrica y podrá ocasionar una descarga eléctrica al operador.
11. **Nunca deje la herramienta eléctrica hasta que el accesorio se haya detenido completamente.** El accesorio giratorio puede agarrar la superficie y jalar la herramienta eléctrica haciendo que usted pierda el control sobre ella.
12. **No tenga encendida la herramienta eléctrica mientras la lleva cargando a un costado.** El contacto accidental con el accesorio giratorio podría enganchar su ropa y jalar el accesorio hacia su cuerpo.
13. **Limpie regularmente los orificios de ventilación de la herramienta eléctrica.** El ventilador del motor atraerá el polvo hacia el interior de la carcasa y la acumulación excesiva de polvo metálico podrá ocasionar riesgos eléctricos.
14. **No utilice la herramienta eléctrica cerca de materiales inflamables.** Las chispas pueden prender fuego a estos materiales.
15. **No utilice accesorios que requieran refrigerantes líquidos.** El uso de agua u otros refrigerantes líquidos puede ocasionar una electrocución o descarga eléctrica.

### Retrocesos bruscos y advertencias relacionadas

El retroceso brusco es una reacción repentina a un atoramiento o enganchamiento de la rueda giratoria, almohadilla de soporte, cepillo o cualquier otro accesorio. El atoramiento o enganchamiento ocasiona un rápido detenimiento del accesorio giratorio que a su vez causa que la herramienta eléctrica descontrolada sea forzada en la dirección opuesta al giro del accesorio en el punto de atascamiento.

Por ejemplo, si una rueda o disco abrasivo queda enganchada o atorada por la pieza de trabajo, el borde de la rueda que está entrando en el punto de atoramiento puede hundirse en la superficie del material haciendo que la rueda se salga o salte. La rueda podrá

saltar ya sea hacia el operador o en dirección contraria a él, dependiendo de la dirección del movimiento de la rueda en el punto de atoramiento. Las ruedas abrasivas también pueden romperse en estas condiciones.

El retroceso brusco es el resultado de un mal uso de la herramienta eléctrica y/o de procedimientos o condiciones de operación incorrectos y puede evitarse tomando las precauciones adecuadas tal como se indica a continuación.

1. **Mantenga sujetada firmemente la herramienta eléctrica y posicione su cuerpo y brazo de manera que pueda resistir las fuerzas del retroceso brusco. De estar disponible, utilice siempre el mango auxiliar para un control máximo durante un retroceso brusco o reacción de torsión durante la puesta en marcha de la herramienta.** El operador puede controlar las reacciones de torsión o fuerzas del retroceso brusco siempre y cuando se tomen las precauciones adecuadas.
2. **Nunca coloque su mano cerca del accesorio giratorio.** El accesorio puede tener un retroceso brusco sobre su mano.
3. **No posicione su cuerpo en el área donde la herramienta eléctrica pueda desplazarse en caso de ocurrir un retroceso brusco.** El retroceso brusco proyectará la herramienta en dirección opuesta al movimiento de la rueda en el punto de enganchamiento.
4. **Tenga especial cuidado al trabajar en esquinas, bordes filosos, etc. Evite que el accesorio rebote o se enganche.** Las esquinas, bordes filosos o rebotes tienden a enganchar el accesorio giratorio y ocasionar la pérdida de control o un retroceso brusco.
5. **No coloque una cadena de sierra, un disco para labrar madera ni un disco de la sierra dentado.** Dichos discos ocasionan con frecuencia un retroceso brusco y la pérdida de control.

#### **Advertencias de seguridad específicas para las operaciones de esmerilado y corte abrasivo:**

1. **Use solamente los tipos de ruedas recomendados para su herramienta eléctrica y el protector diseñado específicamente para la rueda seleccionada.** Las ruedas para las que esta herramienta eléctrica no está diseñada no podrán ser protegidas adecuadamente y resultarán inseguras.
2. **La superficie de esmerilado de las ruedas o discos abrasivos de centro hundido debe quedar colocada debajo del plano del borde del protector.** Una rueda instalada incorrectamente que se proyecte a través del plano del borde del protector no podrá ser protegida adecuadamente.
3. **El protector debe quedar bien instalado y colocado en la herramienta eléctrica para garantizar la máxima seguridad, de tal manera que el operador esté lo menos expuesto posible a la rueda.** El protector ayuda a proteger al operador de los fragmentos rotos de la rueda, del contacto accidental con la rueda y de las chispas que podrían prender fuego a la ropa.
4. **Las ruedas o discos abrasivos deben usarse únicamente para las aplicaciones recomendadas. Por ejemplo, no haga operaciones de**

**esmerilado con la parte lateral de la rueda cortadora.** Las ruedas cortadoras abrasivas están diseñadas para el esmerilado periférico; las fuerzas aplicadas lateralmente a estas ruedas pueden ocasionar que se rompan en pedazos.

5. **Utilice siempre bridas para ruedas que no estén dañadas y del tamaño y la forma correctos para la rueda seleccionada.** Las bridas para ruedas adecuadas soportan la rueda reduciendo así la posibilidad de rotura de la rueda. Las bridas para ruedas cortadoras pueden ser diferentes a las bridas para ruedas de esmerilado.
6. **No utilice ruedas que estén desgastadas de herramientas eléctricas más grandes.** Una rueda diseñada para una herramienta eléctrica más grande no es adecuada para la velocidad mayor de una herramienta más pequeña y puede reventarse.

#### **Advertencias de seguridad adicionales específicas para las operaciones de corte abrasivo:**

1. **Evite trabar la rueda o disco abrasivo de corte o aplicar una presión excesiva. No intente hacer un corte de profundidad excesiva.** Aplicar una presión excesiva a la rueda incrementa la carga y susceptibilidad a que la rueda se tuerza o atasque durante el corte, y que se genere un retroceso brusco o la rotura de la rueda.
2. **No coloque su cuerpo en línea con la rueda giratoria ni detrás de ésta.** En el momento de la operación, cuando la rueda se esté alejando de su cuerpo, el posible retroceso brusco podrá lanzar la rueda giratoria y la herramienta eléctrica directamente hacia usted.
3. **Cuando la rueda se atasque o se interrumpa el corte por cualquier razón, apague la herramienta eléctrica y sosténgala sin moverla hasta que la rueda se detenga por completo. Nunca intente retirar la rueda cortadora del corte mientras la rueda esté en movimiento porque podría ocasionar un retroceso brusco.** Investigue y tome medidas correctivas para eliminar la causa del atascamiento de la rueda.
4. **Evite reiniciar la operación de corte en la pieza de trabajo. Permita que la rueda o disco abrasivo alcance su velocidad completa y se reintroduzca con cuidado en el corte.** La rueda puede atascarse, salirse del camino o generar un retroceso brusco si la herramienta eléctrica es reiniciada estando en la pieza de trabajo.
5. **Proporcione apoyo a los paneles o cualquier pieza de trabajo de gran tamaño para minimizar el riesgo de que la rueda se atore y dé un retroceso brusco.** Las piezas de trabajo grandes tienden a hundirse bajo su propio peso. Deben colocarse soportes debajo de la pieza de trabajo a ambos lados de la rueda, cerca de la línea de corte y del borde de la misma.
6. **Tenga especial cuidado cuando realice un "corte de penetración" en las paredes existentes u otras áreas ciegas.** La parte saliente de la rueda puede cortar tuberías de gas o agua, así como cableado eléctrico u objetos que puedan producir un retroceso brusco.

### Advertencias de seguridad específicas para las operaciones de lijado:

1. No utilice papel de lijado para disco de tamaño excesivo. Siga las recomendaciones de los fabricantes cuando seleccione el papel de lijado. Un papel de lijado de mayor tamaño que se extienda más allá de la almohadilla de lijado implica un riesgo de desgarramiento y podría ocasionar el enganchamiento o rotura del disco o un retroceso brusco.

### Advertencias de seguridad específicas para las operaciones de cepillado con alambre:

1. Tenga en cuenta que incluso durante la operación normal pueden salir expulsadas cerdas de alambre del cepillo. Evite aplicar demasiada presión en los alambres sobrecargando excesivamente el cepillo. Las cerdas de alambre pueden penetrar fácilmente la ropa ligera y/o la piel.
2. Si se recomienda utilizar un protector durante el cepillado con alambre, impida cualquier interferencia de la rueda o cepillo de alambre con el protector. El diámetro de la rueda o cepillo de alambre puede aumentar a causa de la carga de trabajo y las fuerzas centrífugas.

### Advertencias de seguridad adicionales:

1. Cuando utilice ruedas de esmerilado de centro hundido, asegúrese de utilizar solamente ruedas reforzadas con fibra de vidrio.
2. **NUNCA UTILICE** ruedas de tipo copa de piedra con esta esmeriladora. Esta esmeriladora no está diseñada para estos tipos de ruedas y el uso de dichos productos puede ocasionar lesiones personales graves.
3. Tenga cuidado de no dañar el eje, la brida (especialmente la superficie de instalación) o la contratuerca. Si estas piezas se dañan la rueda podría romperse.
4. Asegúrese de que la rueda no esté haciendo contacto con la pieza de trabajo antes de activar el interruptor.
5. Antes de utilizar la herramienta en una pieza de trabajo definitiva, déjala funcionar durante un rato. Observe si hay vibración o bamboleo que pueda indicar una instalación incorrecta o una rueda mal equilibrada.
6. Utilice la superficie especificada de la rueda para realizar el esmerilado.
7. No deje la herramienta funcionando. Mantenga en marcha la herramienta solamente cuando la esté sosteniendo con la mano.
8. No toque la pieza de trabajo inmediatamente después de la operación, ya que podría estar extremadamente caliente y provocarle quemaduras en la piel.
9. Siga las instrucciones del fabricante para la instalación y el uso correctos de las ruedas. Manipule y almacene las ruedas con cuidado.
10. No utilice bujes de reducción ni adaptadores separados para adaptar ruedas abrasivas con orificios grandes.
11. Utilice solamente las bridas especificadas para esta herramienta.

12. En el caso de las herramientas diseñadas para la instalación con ruedas de orificio roscado, asegúrese de que la rosca de la rueda sea lo suficientemente larga para acoplarse a la longitud del eje.
13. Verifique que la pieza de trabajo esté debidamente apoyada.
14. Tenga en cuenta que la rueda continuará girando después de haber apagado la herramienta.
15. Si el lugar de trabajo es extremadamente caluroso y húmedo, o si está muy contaminado con polvo conductor, utilice un interruptor de cortocircuito (30 mA) para garantizar la seguridad del operador.
16. No utilice la herramienta con ningún material que contenga asbesto.
17. Cuando use una rueda cortadora, trabaje siempre con el protector recolector de polvo de la rueda requerido por el reglamento local.
18. Los discos cortadores no se deben someter a ninguna presión lateral.
19. No utilice guantes de trabajo de tela durante la operación. Las fibras de los guantes de tela podrían introducirse en la herramienta ocasionando la rotura de ésta.

## GUARDE ESTAS INSTRUCCIONES.

**⚠ ADVERTENCIA:** NO DEJE que la comodidad o familiaridad con el producto (a base de utilizarlo repetidamente) sustituya la estricta observancia de las normas de seguridad para dicho producto. El MAL USO o el no seguir las normas de seguridad establecidas en este manual de instrucciones puede ocasionar lesiones personales graves.

### Símbolos

A continuación se muestran los símbolos utilizados para la herramienta.

v	volts o voltios
— ---	corriente directa o continua
n	velocidad especificada
... /min r/min	revoluciones o alternaciones por minuto, frecuencia de rotación

### Instrucciones importantes de seguridad para el cartucho de batería

1. Antes de utilizar el cartucho de batería, lea todas las instrucciones e indicaciones de precaución en el (1) el cargador de batería, (2) la batería, y (3) el producto con el que se utiliza la batería.
2. No desarme el cartucho de batería.

3. Si el tiempo de operación se ha acortado en exceso, deje de operar de inmediato. Podría correrse el riesgo de sobrecalentamiento, posibles quemaduras e incluso explosión.
4. En caso de que ingresen electrolitos en sus ojos, enjuáguelos bien con agua limpia y consulte de inmediato a un médico. Esto podría ocasionar pérdida de visión.
5. Evite cortocircuitar el cartucho de batería:
  - (1) No toque las terminales con ningún material conductor.
  - (2) Evite guardar el cartucho de batería en un cajón junto con otros objetos metálicos, tales como clavos, monedas, etc.
  - (3) No exponga el cartucho de batería al agua o la lluvia.

Un cortocircuito en la batería puede causar un flujo grande de corriente, sobrecalentamiento, posibles quemaduras e incluso una descompostura.

6. No guarde la herramienta ni el cartucho de batería en lugares donde la temperatura pueda alcanzar o exceder los 50°C (122°F).
7. Nunca incinere el cartucho de batería incluso en el caso de que esté dañado seriamente o ya no sirva en absoluto. El cartucho de batería puede explotar si se tira al fuego.
8. Tenga cuidado de no dejar caer ni golpear la batería.
9. No use una batería dañada.
10. Las baterías de ión de litio están sujetas a los requisitos reglamentarios en materia de bienes peligrosos.
 

Para el transporte comercial, por ej., mediante terceros o agentes de transporte, se deben tomar en cuenta los requisitos especiales relativos al empaque y el etiquetado.

Para efectuar los preparativos del artículo que se va a enviar, se requiere consultar a un experto en materiales peligrosos. Si es posible, consulte además otras regulaciones nacionales más detalladas. Pegue o cubra con cinta adhesiva los contactos abiertos y empaque la batería de manera que ésta no pueda moverse dentro del paquete.
11. Siga las regulaciones locales relacionadas al desecho de las baterías.

## GUARDE ESTAS INSTRUCCIONES.

**⚠PRECAUCIÓN:** Utilice únicamente baterías originales de Makita. El uso de baterías no originales de Makita, o de baterías alteradas, puede ocasionar que las baterías exploten causando un incendio, lesiones personales y daños. Asimismo, esto invalidará la garantía de Makita para la herramienta y el cargador Makita.

## Consejos para alargar al máximo la vida útil de la batería

1. Cargue el cartucho de batería antes de que se descargue completamente. Pare siempre la operación y cargue el cartucho de batería cuando note menos potencia en la herramienta.

2. No cargue nunca un cartucho de batería que esté completamente cargado. La sobrecarga acortará la vida de servicio de la batería.
3. Cargue el cartucho de batería a una temperatura ambiente de 10 °C - 40 °C (50 °F - 104 °F). Si un cartucho de batería está caliente, déjelo enfriar antes de cargarlo.
4. Cargue el cartucho de batería si no va a utilizarlo durante un período prolongado (más de seis meses).

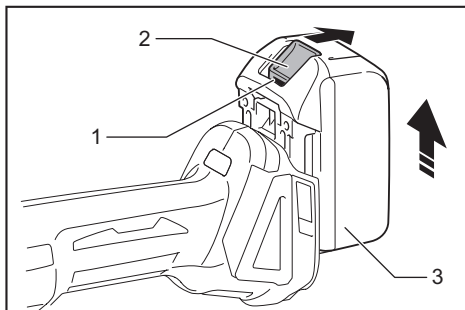
## DESCRIPCIÓN DEL FUNCIONAMIENTO

**⚠PRECAUCIÓN:** Asegúrese siempre de que la herramienta esté apagada y el cartucho de batería haya sido extraído antes de realizar cualquier ajuste o comprobación en la herramienta.

## Instalación o extracción del cartucho de batería

**⚠PRECAUCIÓN:** Apague siempre la herramienta antes de colocar o quitar el cartucho de batería.

**⚠PRECAUCIÓN:** Sujete la herramienta y el cartucho de la batería con firmeza al colocar o quitar el cartucho de batería. Si no se sujeta con firmeza la herramienta y el cartucho de batería, puede ocasionar que se resbalen de sus manos causando daños a la herramienta y al cartucho de batería, así como lesiones a la persona.



► 1. Indicador rojo 2. Botón 3. Cartucho de batería

Para quitar el cartucho de batería, deslícelo de la herramienta mientras desliza el botón sobre la parte delantera del cartucho.

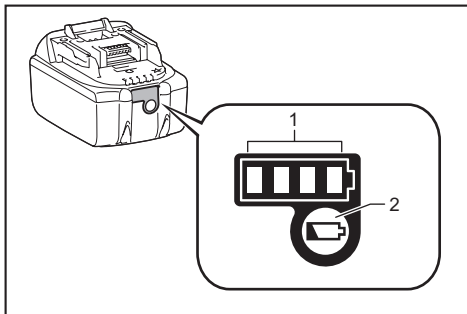
Para colocar el cartucho de batería, alinee la lengüeta sobre el cartucho de batería con la ranura en la carcasa y deslice en su lugar. Inserte por completo hasta que se fije en su lugar con un pequeño clic. Si puede ver el indicador rojo del lado superior del botón, esto indica que no ha quedado fijo por completo.

**⚠️ PRECAUCIÓN:** Introduzca siempre completamente el cartucho de batería hasta que el indicador rojo no pueda verse. Si no, podría accidentalmente salirse de la herramienta y caer al suelo causando una lesión a usted o alguien a su alrededor.

**⚠️ PRECAUCIÓN:** No instale el cartucho de batería a la fuerza. Si el cartucho no se desliza al interior fácilmente, se debe a que no está siendo insertado correctamente.

## Indicación de la capacidad restante de la batería

Sólo para cartuchos de batería con una "B" al final del número de modelo



► 1. Luces indicadoras 2. Botón de verificación

Oprima el botón de verificación en el cartucho de la batería para que indique la capacidad restante de la batería. Las luces indicadoras se iluminarán por algunos segundos.

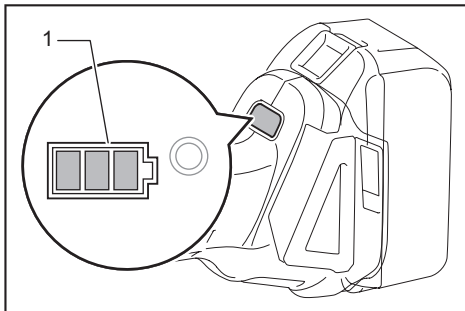
Luces indicadoras			Capacidad restante
Iluminadas	Apagadas	Parpadeando	
■ ■ ■ ■			75% a 100%
■ ■ ■ □			50% a 75%
■ ■ □ □			25% a 50%
■ □ □ □			0% a 25%
▣ □ □ □			Cargar la batería.
■ ■ □ □			La batería pudo haber funcionado mal.
□ □ ■ ■	↑ ↓		

**NOTA:** Dependiendo de las condiciones de uso y la temperatura ambiente, la indicación podrá diferir ligeramente de la capacidad real.

## Indicación de capacidad restante de la batería

### Específico del país

Al encender la herramienta, el indicador de batería muestra la capacidad restante de la batería.



► 1. Indicador de batería

La capacidad restante de la batería se muestra tal como se indica en la tabla a continuación.

Estado del indicador de batería			Capacidad restante de la batería
Encendido	Apagado	Parpadeando	
■ ■ ■ ■	□ □ □ □	▣ □ □ □	50% a 100%
■ ■ ■ □	□ □ □ □	▣ □ □ □	20% a 50%
■ ■ □ □	□ □ □ □	▣ □ □ □	0% a 20%
■ □ □ □	□ □ □ □	▣ □ □ □	Cargar la batería

## Sistema de protección para la herramienta/batería

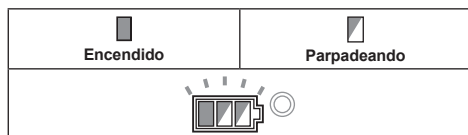
La herramienta está equipada con un sistema de protección de la herramienta/batería. Este sistema corta en forma automática el suministro de energía al motor para prolongar la vida útil de la herramienta y la batería. La herramienta se detendrá automáticamente durante la operación si la herramienta o la batería se someten a una de las siguientes condiciones:

### Protección contra sobrecarga

Cuando la herramienta se está utilizando de manera que causa que consuma una cantidad de corriente inusualmente alta, la herramienta se detiene automáticamente sin que haya indicación alguna. En este caso, apague la herramienta y detenga la aplicación que causó que la herramienta se sobrecargara. Luego encienda la herramienta para reiniciarla.

## Protección contra sobrecalentamiento

Cuando la herramienta se sobrecalienta, ésta se detiene automáticamente y el indicador de batería muestra el siguiente estado. En este caso, espere a que la herramienta se enfríe antes de volver a encenderla.



Si la herramienta no arranca, la batería puede haberse sobrecalentado. En este caso, espere a que la batería se enfríe antes de volver a arrancar la herramienta.

## Protección en caso de sobredescarga

Cuando la capacidad de la batería no es suficiente, la herramienta se detiene automáticamente. En este caso, retire la batería de la herramienta y cárguela.

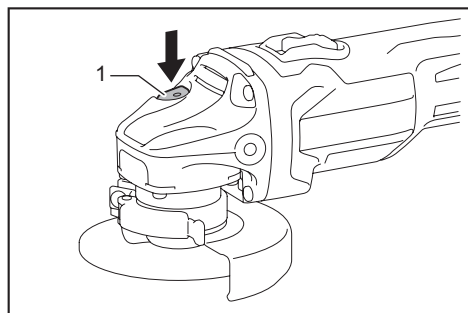
## Liberación del bloqueo de protección

Cuando el sistema de protección se activa repetidamente, la herramienta se bloquea y el indicador de batería muestra el siguiente estado. En este caso, la herramienta no arranca aunque la apague y vuelva a encenderla. Para liberar el bloqueo de protección, retire la batería, colóquela en el cargador de batería y espere a que termine la carga.



## Bloqueo del eje

Presione el bloqueo del eje para impedir que éste gire al instalar o extraer accesorios.



► 1. Bloqueo del eje

**AVISO:** Nunca accione el bloqueo del eje cuando éste se esté moviendo. La herramienta podría dañarse.

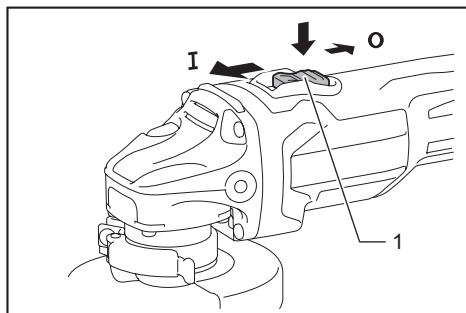
## Accionamiento del interruptor

**PRECAUCIÓN:** Antes de instalar el cartucho de batería en la herramienta, compruebe siempre que el interruptor deslizable se accione debidamente y que regrese a la posición de apagado al presionar la parte trasera del interruptor deslizable.

**PRECAUCIÓN:** El interruptor puede ser bloqueado en la posición de encendido para mayor comodidad del operador durante un uso prolongado. Tenga cuidado al bloquear la herramienta en la posición de encendido y sujete la herramienta firmemente.

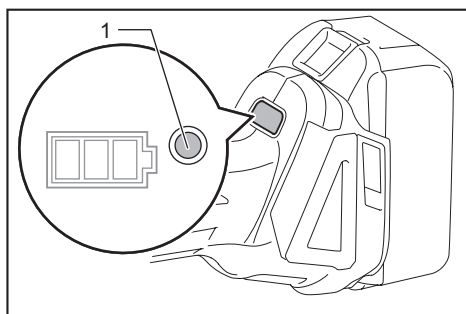
Para encender la herramienta, mueva el interruptor deslizable hacia la posición "I" (encendido) empujando la parte trasera del interruptor deslizable. Para una operación continua, presione la parte delantera del interruptor deslizable para bloquearlo.

Para detener la herramienta, presione la parte trasera del interruptor deslizable y luego deslícelo hacia la posición "O" (apagado).





► 1. Interruptor deslizable

## Función de cambio de velocidad automática



► 1. Indicador de modo

Estado del indicador de modo	Modo de operación
	Modo de alta velocidad
	Modo de alta torsión

Esta herramienta cuenta con “modo de alta velocidad” y “modo de alta torsión”. Ésta cambia automáticamente el modo de operación dependiendo de la carga de trabajo. Cuando el indicador de modo se enciende durante la operación, la herramienta está en el modo de alta torsión.

## Función para evitar el encendido accidental

Aunque el cartucho de batería esté instalado en la herramienta con el interruptor deslizable en la posición “I” (encendido), la herramienta no arranca.

Para arrancar la herramienta, primero deslice el interruptor deslizable hacia la posición “O” (apagado) y luego deslícelo hacia la posición “I” (encendido).

## Función de control de torsión electrónica

La herramienta detecta electrónicamente las situaciones en las que hay riesgo de que la rueda o el accesorio puedan saltar. En este caso, la herramienta se apaga automáticamente para evitar que el eje siga girando (esto no evita el retroceso brusco).

Para volver a arrancar la herramienta, apague primero la herramienta, elimine la causa del descenso repentino en la velocidad de rotación y luego encienda la herramienta.

## Función de inicio suave

La función de inicio suave reduce la reacción al arranque.

## Freno eléctrico

El freno eléctrico es activado una vez que la herramienta se ha apagado.

El freno no funciona cuando el suministro de corriente es desconectado, por ejemplo si la batería es retirada accidentalmente, aun con el interruptor encendido.

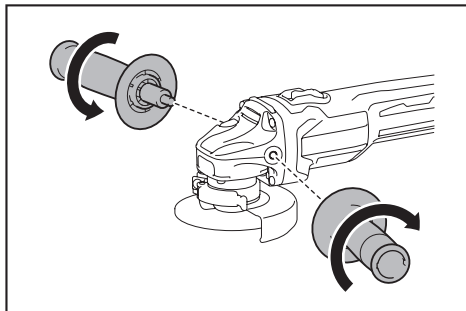
## MONTAJE

**⚠PRECAUCIÓN:** Asegúrese siempre de que la herramienta esté apagada y el cartucho de batería haya sido extraído antes de realizar cualquier ajuste o comprobación en la herramienta.

## Instalación de la empuñadura lateral (mango)

**⚠PRECAUCIÓN:** Antes de realizar una operación, asegúrese siempre de que la empuñadura lateral esté instalada firmemente.

Atornille firmemente la empuñadura lateral en la posición de la herramienta tal como se muestra en la figura.



## Instalación o extracción del protector de la rueda (para rueda de centro hundido, disco abatible, rueda flexible, rueda de cepillo de alambre / rueda cortadora abrasiva, rueda de diamante)

**⚠ADVERTENCIA:** Cuando se utilice una rueda de centro hundido, disco abatible, rueda flexible o rueda de cepillo de alambre, el protector de la rueda deberá estar instalado en la herramienta de tal forma que el lado cerrado del protector siempre quede orientado hacia el operador.

**⚠ADVERTENCIA:** Cuando use una rueda cortadora abrasiva o de diamante, asegúrese de utilizar únicamente el protector especial de la rueda diseñado para el uso con ruedas cortadoras.

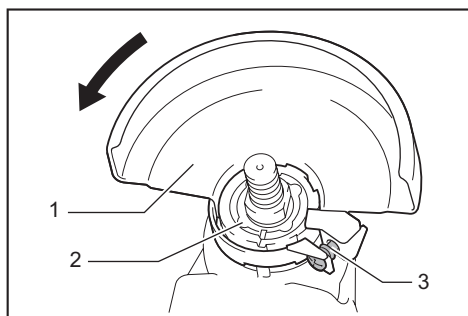
(En algunos países europeos, cuando se usa una rueda de diamante puede utilizarse el protector normal. Siga el reglamento correspondiente en su país.)

## Para herramienta con protector de la rueda o disco abrasivo de tipo tornillo de bloqueo

Coloque el protector de la rueda con las protuberancias en la banda del protector de la rueda alineadas con las muescas en la caja de cojinetes. Luego gire el protector de la rueda hasta un ángulo en el que pueda proteger al operador durante su trabajo. Asegúrese de apretar bien el tornillo.

Para extraer el protector de la rueda, siga el procedimiento de instalación en orden inverso.

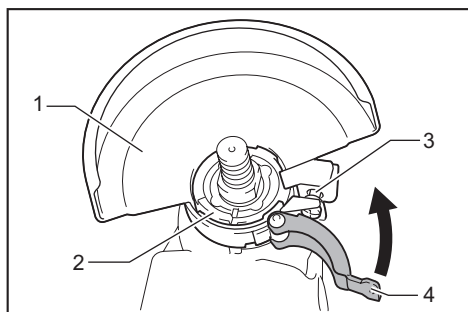




► 1. Protector de la rueda 2. Caja de cojinetes  
3. Tornillo

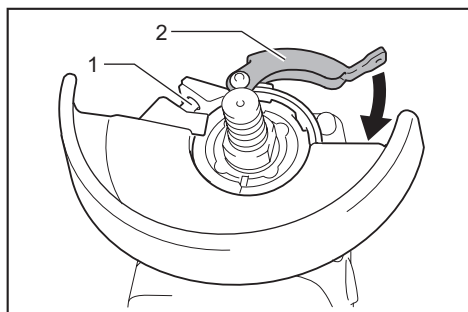
## Para herramienta con protector de la rueda o disco abrasivo de tipo palanca de abrazadera

Afloje el tornillo y luego jale la palanca en la dirección de la flecha. Coloque el protector de la rueda con las protuberancias en la banda del protector de la rueda alineadas con las muescas en la caja de cojinetes. Luego gire el protector de la rueda hasta un ángulo en el que pueda proteger al operador durante su trabajo.



► 1. Protector de la rueda 2. Caja de cojinetes  
3. Tornillo 4. Palanca

Jale la palanca en la dirección de la flecha. Luego ajuste el protector de la rueda apretando el tornillo. Asegúrese de apretar bien el tornillo. El ajuste del ángulo del protector de la rueda puede hacerse con la palanca.



► 1. Tornillo 2. Palanca

Para extraer el protector de la rueda, siga el procedimiento de instalación en orden inverso.

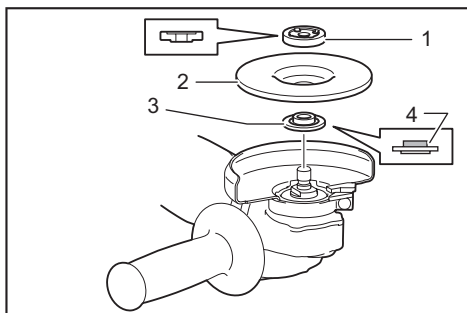
## Instalación o extracción de una rueda de centro hundido o disco abatible

### Accesorio opcional

**⚠ADVERTENCIA:** Cuando se utilice una rueda de centro hundido o disco abatible, el protector de la rueda deberá estar instalado en la herramienta de tal forma que el lado cerrado del protector siempre quede orientado hacia el operador.

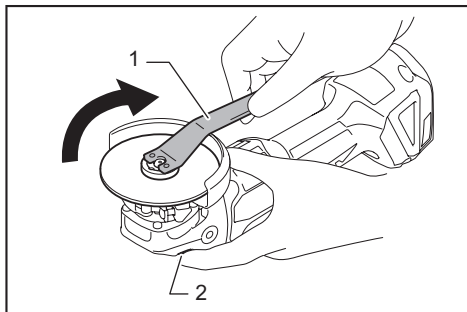
**⚠PRECAUCIÓN:** Asegúrese de que la pieza de instalación de la brida interior encaje perfectamente en el diámetro interior de la rueda de centro hundido / disco abatible. La instalación de la brida interior en el lado incorrecto puede ocasionar una vibración peligrosa.

Instale la brida interior en el eje. Asegúrese que la parte dentada de la brida interior encaje en la parte recta del fondo del eje. Coloque la rueda de centro hundido / disco abatible en la brida interior y atornille la contratuerca en el eje.



► 1. Contratuerca 2. Rueda de centro hundido  
3. Brida interior 4. Pieza de instalación

Para apretar la contratuerca, presione el bloqueo del eje firmemente para que el eje no pueda girar, después apriete firmemente usando la llave de contratuerca en el sentido de las manecillas del reloj.



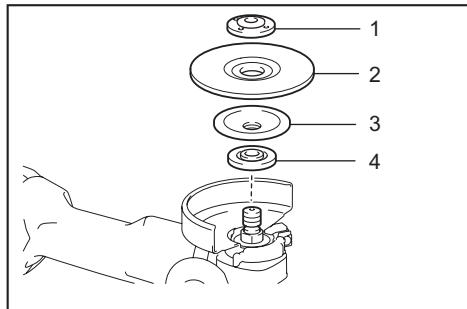
► 1. Llave de contratuerca 2. Bloqueo del eje

Para extraer la rueda, siga el procedimiento de instalación en orden inverso.

## Instalación o extracción de una rueda flexible

### Accesorio opcional

**⚠ADVERTENCIA:** Utilice siempre el protector suministrado cuando la rueda flexible esté instalada en la herramienta. La rueda puede desintegrarse durante el uso y el protector ayuda a reducir las posibilidades de una lesión personal.



- 1. Contratuerca 2. Rueda flexible 3. Almohadilla de soporte 4. Brida interior

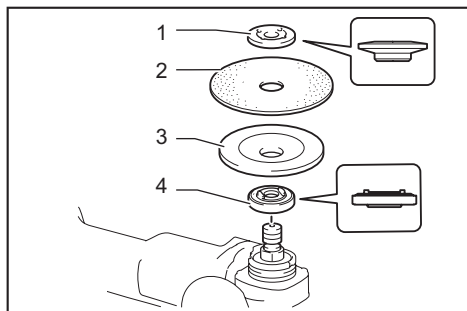
Siga las instrucciones para la rueda de centro hundido pero utilice también una almohadilla de soporte sobre la rueda. Vea el orden de montaje en la página de accesorios de este manual.

## Instalación o extracción de un disco abrasivo

### Accesorio opcional

**NOTA:** Utilice los accesorios para lijadora especificados en este manual. Estos deberán adquirirse por separado.

### Para el modelo de 100 mm (4")



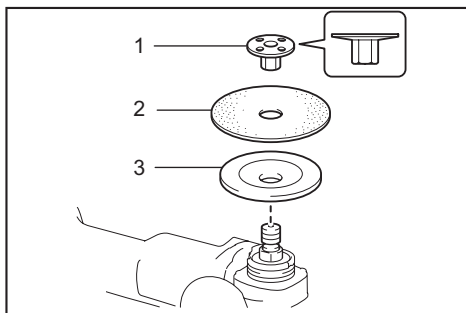
- 1. Contratuerca de lijado 2. Disco abrasivo 3. Plato de goma 4. Brida interior

1. Instale la brida interior en el eje.
2. Instale el plato de goma en el eje.
3. Coloque el disco en el plato de goma y atornille la contratuerca de lijado en el eje.

4. Sostenga el eje con el bloqueo del eje y apriete firmemente la contratuerca de lijado usando la llave de contratuerca en el sentido de las manecillas del reloj.

Para extraer el disco, siga el procedimiento de instalación en orden inverso.

### Para el modelo de 115 mm (4 - 1/2") / 125 mm (5")



- 1. Contratuerca de lijado 2. Disco abrasivo 3. Plato de goma

1. Instale el plato de goma en el eje.
2. Coloque el disco en el plato de goma y atornille la contratuerca de lijado en el eje.
3. Sostenga el eje con el bloqueo del eje y apriete firmemente la contratuerca de lijado usando la llave de contratuerca en el sentido de las manecillas del reloj.

Para extraer el disco, siga el procedimiento de instalación en orden inverso.

## OPERACIÓN

**⚠ADVERTENCIA:** Nunca deberá ser necesario forzar la herramienta. El peso de la herramienta aplica la presión adecuada. Una fuerza y presión excesivas podrían ocasionar una peligrosa rotura de la rueda.

**⚠ADVERTENCIA:** SIEMPRE reemplace la rueda si la herramienta llega a caerse durante el esmerilado.

**⚠ADVERTENCIA:** NUNCA pegue o golpee el disco o la rueda de esmerilado contra la pieza de trabajo.

**⚠ADVERTENCIA:** Evite los rebotes y enganchemientos de la rueda, especialmente cuando trabaje en esquinas, bordes filosos, etc. Esto podría ocasionar la pérdida de control y un retroceso brusco.

**⚠ADVERTENCIA:** NUNCA utilice esta herramienta con discos para cortar madera ni otros discos de la sierra. Los discos de ese tipo cuando se utilizan en una esmeriladora con frecuencia ocasionan retrocesos bruscos y pérdida de control provocando a su vez lesiones personales.

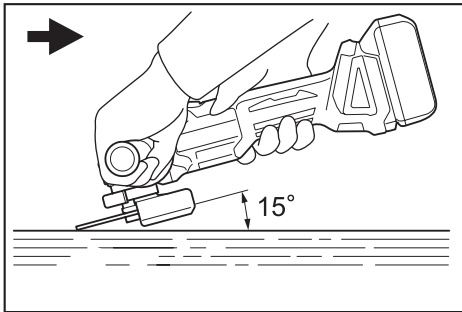
**⚠PRECAUCIÓN:** Nunca encienda la herramienta cuando ésta esté en contacto con la pieza de trabajo, esto podría ocasionar lesiones al operador.

**⚠PRECAUCIÓN:** Use siempre gafas de seguridad o careta durante la operación.

**⚠PRECAUCIÓN:** Después de la operación, apague siempre la herramienta y espere hasta que la rueda se haya detenido por completo antes de dejar la herramienta.

**⚠PRECAUCIÓN:** SIEMPRE sujete la herramienta firmemente con una mano en la carcasa y la otra en el mango lateral.

## Operación de esmerilado y lijado



Encienda la herramienta y después aplique la rueda o disco a la pieza de trabajo.

Procure en general mantener el borde de la rueda o disco a un ángulo de aproximadamente 15° con respecto a la superficie de la pieza de trabajo.

Durante el período de uso inicial de una rueda nueva, no trabaje con la esmeriladora en dirección hacia adelante ya que podría cortar la pieza de trabajo. Una vez que el borde de la rueda se haya redondeado con el uso, se podrá trabajar con la rueda tanto en dirección hacia adelante como hacia atrás.

## Operación con una rueda o disco de corte abrasivo / rueda de diamante

### Accesorio opcional

**⚠ADVERTENCIA:** Cuando use una rueda cortadora abrasiva o de diamante, asegúrese de utilizar únicamente el protector especial de la rueda diseñado para el uso con ruedas cortadoras.

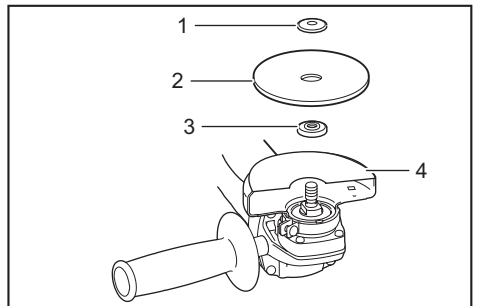
**⚠ADVERTENCIA:** NUNCA utilice una rueda cortadora para el esmerilado lateral.

**⚠ADVERTENCIA:** Evite trabar la rueda o aplicar una presión excesiva. No intente hacer un corte de profundidad excesiva. Aplicar presión excesiva a la rueda incrementa la carga y susceptibilidad a que la rueda se tuerza o atasque durante el corte, y la posibilidad de que se genere un retroceso brusco, la rotura de la rueda y el sobrecalentamiento del motor.

**⚠ADVERTENCIA:** No empiece con la operación de corte en la pieza de trabajo. Permita que la rueda alcance su velocidad completa y se reintroduzca con cuidado en el corte desplazando la herramienta hacia adelante sobre la superficie de la pieza de trabajo. La rueda puede atascarse, salirse del camino o generar un retroceso brusco si la herramienta eléctrica es reiniciada estando en la pieza de trabajo.

**⚠ADVERTENCIA:** Durante las operaciones de corte, no cambie nunca el ángulo de la rueda. La aplicación de presión lateral en la rueda cortadora (igual que en el esmerilado) hará que la rueda se agriete y se rompa, ocasionando lesiones personales graves.

**⚠ADVERTENCIA:** Una rueda de diamante deberá utilizarse perpendicularmente al material que se esté cortando.



► 1. Contratuerca 2. Rueda o disco de corte abrasivo / rueda de diamante 3. Brida interior 4. Protector para rueda cortadora abrasiva / rueda de diamante

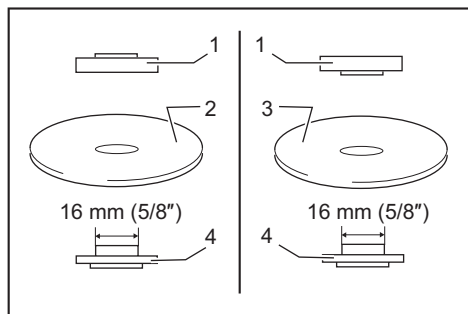
Para la instalación, siga las instrucciones para la rueda de centro hundido.

**La dirección de montaje para la contratuerca y la brida interior varía según el tipo y grosor de la rueda.**

Consulte las siguientes figuras.

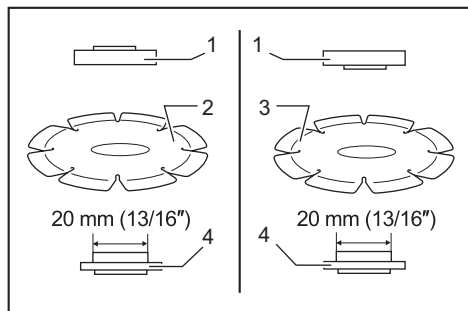
## Para el modelo de 100 mm (4")

Cuando se instale la rueda cortadora abrasiva:



- 1. Contratuercas 2. Rueda cortadora abrasiva (con un grosor menor de 4 mm (5/32")) 3. Rueda cortadora abrasiva (con un grosor de 4 mm (5/32")) o mayor 4. Brida interior

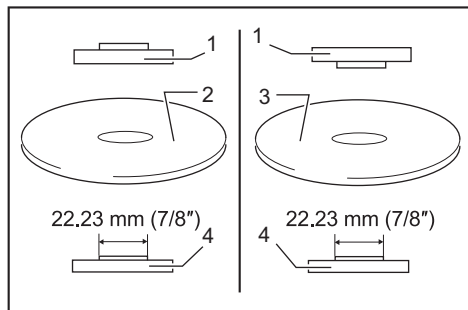
Cuando se instale la rueda de diamante:



- 1. Contratuercas 2. Rueda de diamante (con un grosor menor de 4 mm (5/32")) 3. Rueda de diamante (con un grosor de 4 mm (5/32")) o mayor 4. Brida interior

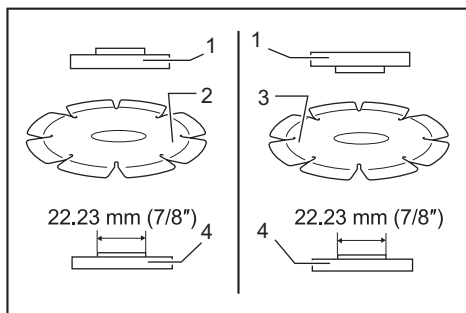
## Para el modelo de 115 mm (4 - 1/2") / 125 mm (5")

Cuando se instale la rueda cortadora abrasiva:



- 1. Contratuercas 2. Rueda cortadora abrasiva (con un grosor menor de 4 mm (5/32")) 3. Rueda cortadora abrasiva (con un grosor de 4 mm (5/32")) o mayor 4. Brida interior

Cuando se instale la rueda de diamante:



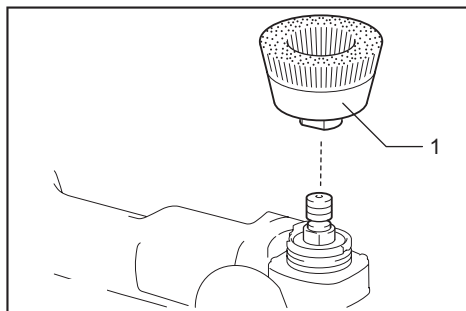
- 1. Contratuercas 2. Rueda de diamante (con un grosor menor de 4 mm (5/32")) 3. Rueda de diamante (con un grosor de 4 mm (5/32")) o mayor 4. Brida interior

## Operación con carda de alambre

Accesorio opcional

**PRECAUCIÓN:** Verifique la operación del cepillo haciendo funcionar la herramienta sin carga y asegurándose de que no haya nadie enfrente ni en línea con el cepillo.

**PRECAUCIÓN:** No utilice un cepillo que esté dañado o desequilibrado. El uso de un cepillo dañado podría aumentar la posibilidad de lesiones a causa del contacto con alambres rotos del cepillo.



- 1. Carda de alambre

Retire el cartucho de batería de la herramienta y colóquelo al revés para permitir un acceso fácil al eje. Quite cualquier accesorio que haya en el eje. Enrosque la carda de alambre en el eje y apriete con la llave suministrada.

**AVISO:** Cuando utilice el cepillo, evite aplicar mucha presión que haga que los alambres se doblen demasiado. Esto podría provocar una rotura prematura.

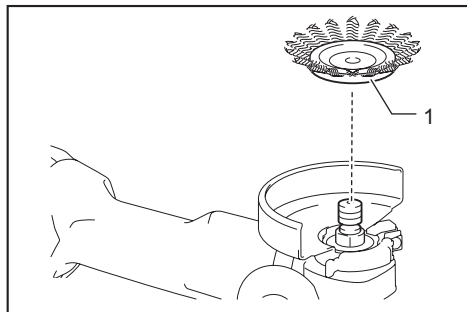
## Operación con rueda de cepillo de alambre

### Accesorio opcional

**⚠PRECAUCIÓN:** Verifique la operación de la rueda de cepillo de alambre haciendo funcionar la herramienta sin carga y asegurándose de que no haya nadie enfrente ni en línea con la rueda de cepillo de alambre.

**⚠PRECAUCIÓN:** No utilice una rueda de cepillo de alambre que esté dañada o desequilibrada. El uso de una rueda de cepillo de alambre dañada podría aumentar la posibilidad de lesiones a causa del contacto con alambres rotos.

**⚠PRECAUCIÓN:** SIEMPRE utilice el protector con ruedas de cepillo de alambre, asegurándose de que el diámetro de la rueda encaje dentro del protector. La rueda puede desintegrarse durante el uso y el protector ayuda a reducir las posibilidades de una lesión personal.



► 1. Rueda de cepillo de alambre

Retire el cartucho de batería de la herramienta y colóquelo al revés para permitir un acceso fácil al eje. Quite cualquier accesorio que haya en el eje. Enrosque la rueda de cepillo de alambre en el eje y apriete con las llaves.

**AVISO:** Cuando utilice la rueda de cepillo de alambre, evite aplicar mucha presión que haga que los alambres se doblen demasiado. Esto podría provocar una rotura prematura.

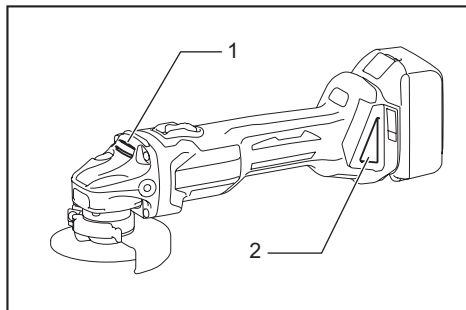
## MANTENIMIENTO

**⚠PRECAUCIÓN:** Asegúrese siempre de que la herramienta esté apagada y el cartucho de batería extraído antes de intentar realizar una inspección o mantenimiento.

**AVISO:** Nunca use gasolina, bencina, diluyente (tiner), alcohol o sustancias similares. Puede que esto ocasione grietas o descoloramiento.

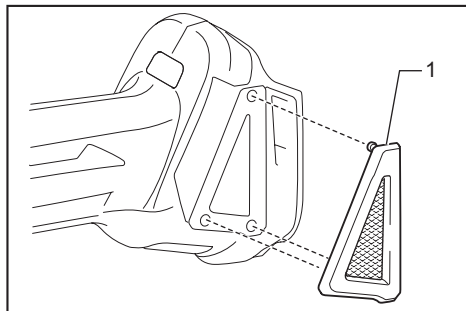
## Limpieza del orificio de ventilación

La herramienta y sus orificios de ventilación deben mantenerse limpios. Limpie regularmente los orificios de ventilación de la herramienta o siempre que los orificios empiecen a obstruirse.



► 1. Ventilación de salida 2. Ventilación de entrada

Retire la cubierta contra polvo de la ventilación de entrada y límpiela para una circulación de aire libre de obstrucciones.



► 1. Cubierta contra polvo

**NOTA:** Limpie la cubierta contra polvo cuando esté obstruida con polvo o materias extrañas. La operación continua con una cubierta contra polvo obstruida podría dañar la herramienta.

# ACCESORIOS OPCIONALES

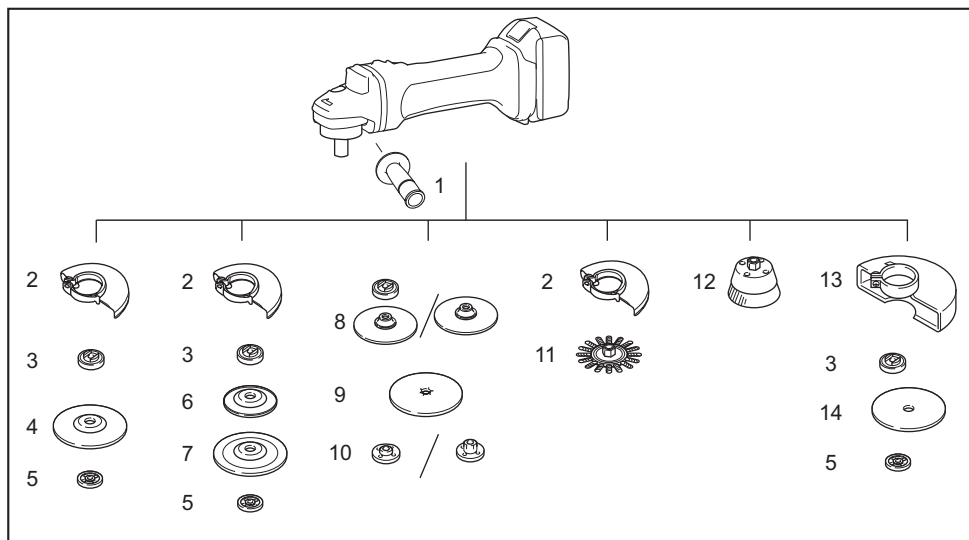
**⚠️ PRECAUCIÓN:** Estos accesorios o aditamentos están recomendados para utilizarse con su herramienta Makita especificada en este manual. El empleo de cualquier otro accesorio o aditamento puede conllevar el riesgo de lesiones personales. Utilice los accesorios o aditamentos solamente para su fin establecido.

**⚠️ PRECAUCIÓN:** Su herramienta es suministrada con un protector para usarse con cualquier rueda de esmerilado, multidisco, rueda flexible y rueda de cepillo de alambre recomendados. Si también se dispone de una rueda de diamante y/o rueda cortadora para utilizarse con la herramienta, éstas deberán usarse solamente con el protector opcional apropiado para ruedas cortadoras.

Si decide utilizar su esmeriladora Makita con los accesorios aprobados los cuales puede adquirir con su distribuidor o centro de servicio de fábrica Makita, asegúrese de obtener y utilizar todos los sujetadores y protectores tal como se recomienda en este manual. El no hacerlo podría ocasionarle lesiones personales a usted y a otras personas.

Si necesita cualquier ayuda para más detalles en relación con estos accesorios, pregunte a su centro de servicio local Makita.

- Batería y cargador originales de Makita



	Modelo de 100 mm (4")	Modelo de 115 mm (4-1/2")	Modelo de 125 mm (5")
-	Empuñadura 36		
1	Protector de la rueda (para rueda de esmerilado)		
2	Protector de la rueda (para rueda de esmerilado)		
3	Brida interior 35	Brida interior 45	
4	Rueda de centro hundido / Multidisco		
5	Contratuercas 10-35	Contratuercas 5/8-45	
6	Almohadilla de soporte		
7	Rueda flexible		
8	Brida interior y plato de goma 76	Plato de goma 100	Plato de goma 115
9	Disco abrasivo		
10	Contratuercas de lijado 10-30	Contratuercas de lijado 5/8-48	
11	Rueda de cepillo de alambre		
12	Carda de alambre		
13	Protector de la rueda (para rueda cortadora)		
14	Rueda cortadora abrasiva / Rueda de diamante		
-	Llave de contratuercas 20	Llave de contratuercas 28	

**NOTA:** Algunos de los artículos en la lista pueden incluirse en el paquete de la herramienta como accesorios estándar. Éstos pueden variar de país a país.

## **GARANTÍA LIMITADA DE UN AÑO DE MAKITA**

### **Ésta Garantía no aplica para México Política de garantía**

Cada herramienta Makita es inspeccionada y probada exhaustivamente antes de salir de la fábrica. Se garantiza que está libre de defectos de mano de obra y materiales por el período de UN AÑO a partir de la fecha original de compra. Si durante este período de un año se desarrollara algún problema, devuelva la herramienta COMPLETA, con el envío prepagado, a un centro de servicio autorizado o de fábrica Makita. Si la inspección muestra que el problema ha sido a causa de un defecto de mano de obra o material, Makita hará la reparación (o a su discreción, el reemplazo) sin ningún cargo.

Esta garantía no aplica cuando:

- las reparaciones se hayan hecho o intentado hacer por otros;
- se requieran reparaciones debido al desgaste normal;
- la herramienta haya sido maltratada, recibido un mal uso o haya recibido un mantenimiento inapropiado;
- se hayan hecho modificaciones a la herramienta.

**EN NINGÚN CASO MAKITA SE HARÁ RESPONSABLE DE NINGÚN DAÑO INDIRECTO, INCIDENTAL, O DERIVADO DE LA VENTA O USO DEL PRODUCTO. ESTE DESCARGO DE RESPONSABILIDAD APLICA DURANTE Y DESPUÉS DEL PLAZO DE ESTA GARANTÍA.**

**MAKITA RENUNCIA A LA RESPONSABILIDAD POR CUALQUIER GARANTÍA IMPLÍCITA, INCLUYENDO GARANTÍAS DE "COMERCIABILIDAD" Y "ADECUACIÓN PARA UN PROPÓSITO ESPECÍFICO", DESPUÉS DEL PLAZO DE UN AÑO DE ESTA GARANTÍA.**

Esta garantía le concede derechos legales específicos y usted podrá tener también otros derechos que varían de un estado a otro. Algunos estados no permiten la exclusión o limitación de daños incidentales o consecuentes, por lo que la limitación o exclusión arriba mencionada podría no aplicar para usted. Algunos estados no permiten la limitación sobre la duración de una garantía implícita, por lo que la limitación arriba mencionada podría no aplicar para usted.

< USA only >

# WARNING

Some dust created by power sanding, sawing, grinding, drilling, and other construction activities contains chemicals known to the State of California to cause cancer, birth defects or other reproductive harm. Some examples of these chemicals are:

- lead from lead-based paints,
- crystalline silica from bricks and cement and other masonry products, and
- arsenic and chromium from chemically-treated lumber.

Your risk from these exposures varies, depending on how often you do this type of work. To reduce your exposure to these chemicals: work in a well ventilated area, and work with approved safety equipment, such as those dust masks that are specially designed to filter out microscopic particles.

< Sólo en los Estados Unidos >

# ADVERTENCIA

Algunos polvos creados por el lijado, aserrado, esmerilado, taladrado y otras actividades de la construcción contienen sustancias químicas reconocidas por el Estado de California como causantes de cáncer, defectos de nacimiento y otros peligros de reproducción. Algunos ejemplos de estos productos químicos son:

- plomo de pinturas a base de plomo,
- sílice cristalino de ladrillos y cemento y otros productos de albañilería, y
- arsénico y cromo de maderas tratadas químicamente.

El riesgo al que se expone varía, dependiendo de la frecuencia con la que realice este tipo de trabajo. Para reducir la exposición a estos productos químicos: trabaje en un área bien ventilada y póngase el equipo de seguridad indicado, tal como las máscaras contra polvo que están especialmente diseñadas para filtrar partículas microscópicas.

**Makita Corporation**

3-11-8, Sumiyoshi-cho,  
Anjo, Aichi 446-8502 Japan

[www.makita.com](http://www.makita.com)

885470A937  
DGA506-1  
EN, FRCA, ESMX  
20160224